

---

## Full-Featured, Low Pin Count Microcontrollers with XLP

---

### Description

PIC16(L)F18313/18323 microcontrollers feature Analog, Core Independent Peripherals and Communication Peripherals, combined with eXtreme Low Power (XLP) for a wide range of general purpose and low-power applications. The Peripheral Pin Select (PPS) functionality enables pin mapping when using the digital peripherals (CLC, CWG, CCP, PWM and communications) to add flexibility to the application design.

### Core Features

- C Compiler Optimized RISC Architecture
- Only 48 Instructions
- Operating Speed:
  - DC – 32 MHz clock input
  - 125 ns minimum instruction cycle
- Interrupt Capability
- 16-Level Deep Hardware Stack
- Up to Four 8-bit Timers
- Up to Three 16-bit Timers
- Low-Current Power-on Reset (POR)
- Power-up Timer (PWRT)
- Brown-out Reset (BOR)
- Low-Power BOR (LPBOR) Option
- Extended Watchdog Timer (WDT) with Dedicated On-Chip Oscillator for Reliable Operation
- Programmable Code Protection

### Memory

- 3.5 Kbytes Program Flash Memory
- 256B Data SRAM Memory
- 256B of EEPROM
- Direct, Indirect and Relative Addressing Modes

### Operating Characteristics

- Operating Voltage Range:
  - 1.8V to 3.6V (PIC16LF18313/18323)
  - 2.3V to 5.5V (PIC16F18313/18323)
- Temperature Range:
  - Industrial: -40°C to 85°C
  - Extended: -40°C to 125°C

### eXtreme Low-Power (XLP) Features

- Sleep mode: 40 nA @ 1.8V, typical
- Watchdog Timer: 250 nA @ 1.8V, typical
- Secondary Oscillator: 300 nA @ 32 kHz
- Operating Current:
  - 8  $\mu$ A @ 32 kHz, 1.8V, typical
  - 37  $\mu$ A/MHz @ 1.8V, typical

### Power-Saving Functionality

- IDLE mode: ability to put the CPU core to Sleep while internal peripherals continue operating from the system clock
- DOZE mode: ability to run the CPU core slower than the system clock used by the internal peripherals
- SLEEP mode: Lowest Power Consumption
- Peripheral Module Disable (PMD): peripheral power disable hardware module to minimize power consumption of unused peripherals

### Digital Peripherals

- Configurable Logic Cell (CLC):
  - Two CLCs
  - Integrated combinational and sequential logic
- Complementary Waveform Generator (CWG):
  - Rising and falling edge dead-band control
  - Full-bridge, half-bridge, 1-channel drive
  - Multiple signal sources
- Capture/Compare/PWM (CCP) modules:
  - Two CCPs
  - 16-bit resolution for Capture/Compare modes
  - 10-bit resolution for PWM mode
- Pulse-Width Modulators (PWM)
  - Two 10-bit PWMs
- Numerically Controlled Oscillator (NCO):
  - Precision linear frequency generator (@50% duty cycle) with 0.0001% step size of source input clock
  - Input Clock:  $0 \text{ Hz} < F_{\text{NCO}} < 32 \text{ MHz}$
  - Resolution:  $F_{\text{NCO}}/2^{20}$
- Serial Communications:
  - EUSART
    - RS-232, RS-485, LIN compatible
    - Auto-Baud Detect, auto-wake-up on start
  - Master Synchronous Serial Port (MSSP)
    - SPI
    - I<sup>2</sup>C, SMBus, PMBus™ compatible
- Data Signal Modulator (DSM):
  - Modulates a carrier signal with digital data to create custom carrier synchronized output waveforms

# PIC16(L)F18313/18323

---

- Up to 12 I/O Pins:
  - Individually programmable pull-ups
  - Slew rate control
  - Interrupt-on-change with edge-select
  - Input level selection control (ST or TTL)
  - Digital open-drain enable
- Peripheral Pin Select (PPS):
  - I/O pin remapping of digital peripherals
- Timer modules:
  - Timer0:
    - 8/16-bit timer/counter
    - Synchronous or asynchronous operation
    - Programmable prescaler/postscaler
    - Time base for capture/compare function
  - Timer1 with gate control:
    - 16-bit timer/counter
    - Programmable internal or external clock sources
    - Multiple gate sources
    - Multiple gate modes
    - Time base for capture/compare function
  - Timer2:
    - 8-bit timers
    - Programmable prescaler/postscaler
    - Time base for PWM function

## Analog Peripherals

- 10-bit Analog-to-Digital Converter (ADC):
  - Up to 11 external channels
  - Conversion available during Sleep
- Comparator:
  - Up to two comparators
  - Fixed Voltage Reference at non-inverting input(s)
  - Comparator outputs externally accessible
- 5-bit Digital-to-Analog Converter (DAC):
  - 5-bit resolution, rail-to-rail
  - Positive Reference Selection
  - Unbuffered I/O pin output
  - Internal connections to ADCs and comparators
- Voltage Reference:
  - Fixed Voltage Reference with 1.024V, 2.048V and 4.096V output levels

## Flexible Oscillator Structure

- High-Precision Internal Oscillator:
  - Software-selectable frequency range up to 32 MHz
  - $\pm 2\%$  at nominal 4 MHz calibration point
- 4x PLL with External Sources
- Low-Power Internal 31 kHz Oscillator (LFINTOSC)
- External Low-Power 32 kHz Crystal Oscillator (SOSC)
- External Oscillator Block with:
  - Three Crystal/Resonator modes up to 20 MHz
  - Three External Clock modes up to 32 MHz
  - Fail-Safe Clock Monitor
    - Detects clock source failure
  - Oscillator Start-up Timer (OST)
    - Ensures stability of crystal oscillator sources

# PIC16(L)F18313/18323

## PIC16(L)F183XX Family Types

Device	Data Sheet Index	Program Flash Memory (Words)	Program Flash Memory (Kbytes)	Data Memory (bytes)	Data SRAM (bytes)	I/Os <sup>(2)</sup>	10-bit ADC (ch)	5-bit DAC	High-Speed/Comparators	CWG	Clock Ref	Timers (8/16-bit)	CCP	10-bit PWM	NCO	EUSART	I <sup>2</sup> C/SPI	CLC	DSM	PPS	XLP	PMD	Idle and Doze	Debug <sup>(1)</sup>
PIC16(L)F18313	(1)	2048	3.5	256	256	6	5	1	1	1	1	2/1	2	2	1	1	1/1	2	1	Y	Y	Y	Y	I
PIC16(L)F18323	(1)	2048	3.5	256	256	12	11	1	2	1	1	2/1	2	2	1	1	1/1	2	1	Y	Y	Y	Y	I
PIC16(L)F18324	(2)	4096	7	256	512	12	11	1	2	2	1	4/3	4	2	1	1	1/1	4	1	Y	Y	Y	Y	I
PIC16(L)F18325	(3)	8192	14	256	1024	12	11	1	2	2	1	4/3	4	2	1	1	2/2	4	1	Y	Y	Y	Y	I
PIC16(L)F18326	(4)	16384	28	256	2048	12	15	1	2	2	1	4/3	4	2	1	1	2/2	4	1	Y	Y	Y	Y	I
PIC16(L)F18344	(2)	4096	7	256	512	18	17	1	2	2	1	4/3	4	2	1	1	1/1	4	1	Y	Y	Y	Y	I
PIC16(L)F18345	(3)	8192	14	256	1024	18	17	1	2	2	1	4/3	4	2	1	1	2/2	4	1	Y	Y	Y	Y	I
PIC16(L)F18346	(4)	16384	28	256	2048	18	21	1	2	2	1	4/3	4	2	1	1	2/2	4	1	Y	Y	Y	Y	I

**Note** 1: Debugging Methods: (I) – Integrated on Chip;  
 2: One pin is input-only.

**Data Sheet Index:** (Unshaded devices are described in this document.)

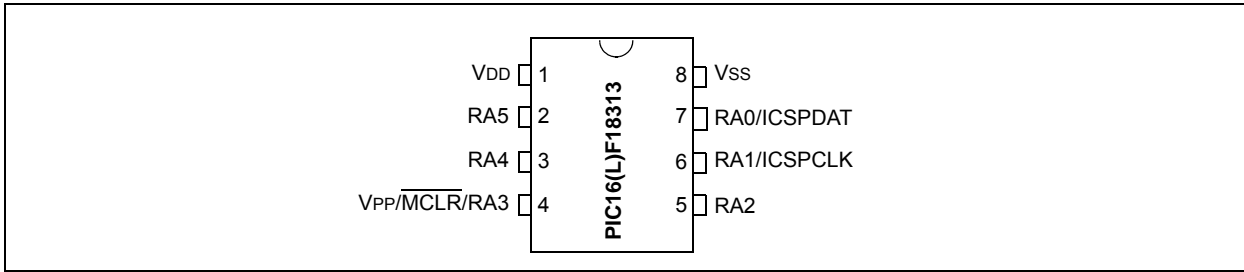
- 1: DS40001799 [PIC16\(L\)F18313/18323 Data Sheet](#), [Full-Featured, Low Pin Count Microcontrollers with XLP](#)
- 2: DS40001800 [PIC16\(L\)F18324/18344 Data Sheet](#), [Full Featured, Low Pin Count Microcontrollers with XLP](#)
- 3: DS40001795 [PIC16\(L\)F18325/18345 Data Sheet](#), [Full Featured, Low Pin Count Microcontrollers with XLP](#)
- 4: DS40001839 [PIC16\(L\)F18326/18346 Data Sheet](#), [Full Featured, Low Pin Count Microcontrollers with XLP](#)

**Note:** For other small form-factor package availability and marking information, please visit <http://www.microchip.com/packaging> or contact your local sales office.

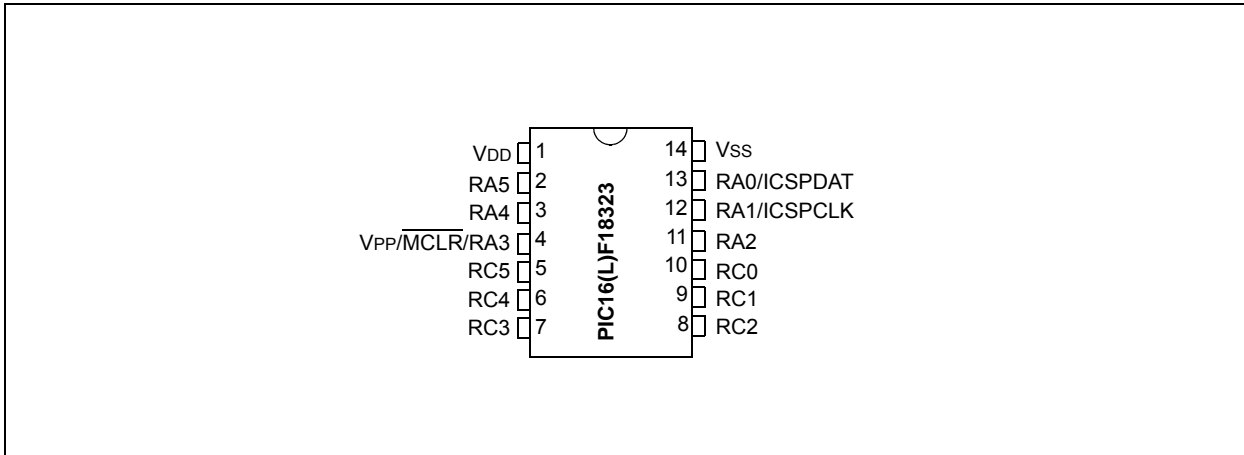
# PIC16(L)F18313/18323

## Pin Diagrams

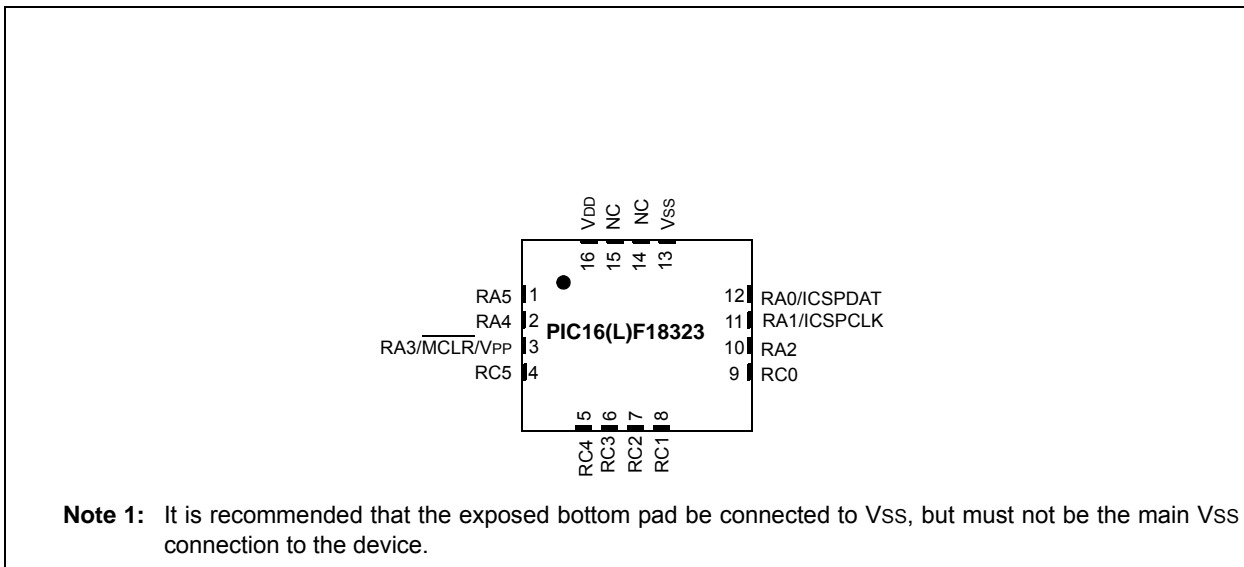
**FIGURE 1: 8-PIN PDIP, SOIC, UDFN**



**FIGURE 2: 14-PIN PDIP, SOIC, TSSOP**



**FIGURE 3: 16-PIN UQFN**



**TABLE 1: 8-PIN ALLOCATION TABLE (PIC16(L)F18313)**

I/O <sup>(2)</sup>	PDIP/SOIC/UDFN	ADC	Reference	Comparator	NCO	DAC	DSM	Timers	CCP	PWM	CWG	MSSP	EUSART	CLC	CLKR	Interrupt	Pull-up	Basic
RA0	7	ANA0	—	C1IN0+	—	DAC1OUT	MDCIN1 <sup>(1)</sup>	—	—	—	—	—	—	CLCIN3 <sup>(1)</sup>	—	IOC	Y	ICDDAT/ ICSPDAT
RA1		ANA1	VREF+	C1IN0-	—	DAC1REF+	MDMIN <sup>(1)</sup>	—	—	—	—	SCK1 <sup>(1)</sup> SCL1 <sup>(1,3,4)</sup>	RX <sup>(1)</sup>	CLCIN2 <sup>(1)</sup>	—	IOC	Y	ICDCLK/ ICSPCLK
RA2	5	ANA2	VREF-	—	—	DAC1REF-	—	T0CKI <sup>(1)</sup>	—	—	CWG1IN <sup>(1)</sup>	SDA1 <sup>(1,3,4)</sup> SDI1 <sup>(1)</sup>	—	—	—	INT <sup>(1)</sup> IOC	Y	—
RA3	4	—	—	—	—	—	—	—	—	—	—	SS1 <sup>(1)</sup>	—	CLCIN0 <sup>(1)</sup>	—	IOC	Y	MCLR VPP
RA4	3	ANA4	—	C1IN1-	—	—	—	T1G <sup>(1)</sup> SOSCO	—	—	—	—	—	—	—	IOC	Y	CLKOUT OSC2
RA5	2	ANA5	—	—	—	—	MDCIN2 <sup>(1)</sup>	T1CKI <sup>(1)</sup> SOSCIN SOSCI	CCP1 <sup>(1)</sup> CCP2 <sup>(1)</sup>	—	—	—	—	CLCIN1 <sup>(1)</sup>	—	IOC	Y	CLKIN OSC1
VDD	1	—	—	—	—	—	—	—	—	—	—	—	—	—	—	—	—	VDD
VSS	8	—	—	—	—	—	—	—	—	—	—	—	—	—	—	—	—	VSS
OUT <sup>(2)</sup>	—	—	—	C1OUT	NCO	—	DSM	TMR0	CCP1	PWM5	CWG1A	SDA1 <sup>(3)</sup>	CK	CLC1OUT	CLKR	—	—	—
	—	—	—	—	—	—	—	—	CCP2	PWM6	CWG1B	SCL1 <sup>(3)</sup>	DT	CLC2OUT	—	—	—	—
	—	—	—	—	—	—	—	—	—	—	CWG1C	SDO1	TX	—	—	—	—	—
	—	—	—	—	—	—	—	—	—	—	CWG1D	SCK1	—	—	—	—	—	—

- Note**
- 1: Default peripheral input. Input can be moved to any other pin with the PPS input selection registers. See [Register 13-1](#).
  - 2: All pin outputs default to PORT latch data. Any pin can be selected as a digital peripheral output with the PPS output selection registers. See [Register 13-2](#).
  - 3: These peripheral functions are bidirectional. The output pin selections must be the same as the input pin selections.
  - 4: These pins are configured for I<sup>2</sup>C logic levels as described in [Section 13.3 “Bidirectional Pins”](#); clock and data signals may be assigned to any of these pins. Assignments to the other pins (e.g., RA5) will operate, but logic levels will be standard TTL/ST as selected by the INLVL register.

**TABLE 2: 14/16-PIN ALLOCATION TABLE (PIC16(L)F18323)**

I/O <sup>(2)</sup>	PDIP/SOIC/TSSOP	UQFN	ADC	Reference	Comparator	NCO	DAC	DSM	Timers	CCP	PWM	CWG	MSSP	EUSART	CLC	CLKR	Interrupt	Pull-up	Basic
RA0	13	12	ANA0	—	C1IN0+	—	DAC1OUT	—	—	—	—	—	—	—	—	—	IO	Y	ICDDAT/ ICSPDAT
RA1	12	11	ANA1	VREF+	C1IN0- C2IN0-	—	DAC1REF+	—	—	—	—	—	—	—	—	—	IO	Y	ICDCLK/ ICSPCLK
RA2	11	10	ANA2	VREF-	—	—	DAC1REF-	—	TOCK1 <sup>(1)</sup>	—	—	CWG1IN <sup>(1)</sup>	—	—	—	—	INT <sup>(1)</sup> IO	Y	—
RA3	4	3	—	—	—	—	—	—	—	—	—	—	—	—	—	—	IO	Y	MCLR V <sub>PP</sub>
RA4	3	2	ANA4	—	—	—	—	—	T1G <sup>(1)</sup> SOSCO	—	—	—	—	—	—	—	IO	Y	CLKOUT OSC2
RA5	2	1	ANA5	—	—	—	—	—	T1CK1 <sup>(1)</sup> SOSCIN SOSCI	—	—	—	—	—	CLCIN3 <sup>(1)</sup>	—	IO	Y	CLKIN OSC1
RC0	10	9	ANC0	—	C2IN0+	—	—	—	—	—	—	—	SCK1 <sup>(1)</sup> SCL1 <sup>(1,3,4)</sup>	—	—	—	IO	Y	—
RC1	9	8	ANC1	—	C1IN1- C2IN1-	—	—	—	—	—	—	—	SD1 <sup>(1)</sup> SDA1 <sup>(1,3,4)</sup>	—	CLCIN2 <sup>(1)</sup>	—	IO	Y	—
RC2	8	7	ANC2	—	C1IN2- C2IN2-	—	—	MDCIN1 <sup>(1)</sup>	—	—	—	—	—	—	—	—	IO	Y	—
RC3	7	6	ANC3	—	C1IN3- C2IN3-	—	—	MDMIN <sup>(1)</sup>	—	CCP2 <sup>(1)</sup>	—	—	SS1 <sup>(1)</sup>	—	CLCIN0 <sup>(1)</sup>	—	IO	Y	—
RC4	6	5	ANC4	—	—	—	—	—	—	—	—	—	—	—	CLCIN1 <sup>(1)</sup>	—	IO	Y	—
RC5	5	4	ANC5	—	—	—	—	MDCIN2 <sup>(1)</sup>	—	CCP1 <sup>(1)</sup>	—	—	—	RX <sup>(1)</sup>	—	—	IO	Y	—
V <sub>DD</sub>	1	16	—	—	—	—	—	—	—	—	—	—	—	—	—	—	—	—	V <sub>DD</sub>
V <sub>SS</sub>	14	13	—	—	—	—	—	—	—	—	—	—	—	—	—	—	—	—	V <sub>SS</sub>
OUT <sup>(2)</sup>	—	—	—	—	C1OUT	NCO	—	DSM	TMR0	CCP1	PWM5	CWG1A	SDA1 <sup>(3)</sup>	CK	CLC1OUT	CLKR	—	—	—
	—	—	—	—	C2OUT	—	—	—	—	CCP2	PWM6	CWG1B	SCL1 <sup>(3)</sup>	DT	CLC2OUT	—	—	—	—
	—	—	—	—	—	—	—	—	—	—	—	CWG1C	SDO1	TX	—	—	—	—	—
	—	—	—	—	—	—	—	—	—	—	—	CWG1D	SCK1	—	—	—	—	—	—

- Note**
- 1: Default peripheral input. Input can be moved to any other pin with the PPS input selection registers. See [Register 13-1](#).
  - 2: All pin outputs default to PORT latch data. Any pin can be selected as a digital peripheral output with the PPS output selection registers. See [Register 13-2](#).
  - 3: These peripheral functions are bidirectional. The output pin selections must be the same as the input pin selections.
  - 4: These pins are configured for I<sup>2</sup>C logic levels as described in [Section 13.3 "Bidirectional Pins"](#); clock and data signals may be assigned to any of these pins. Assignments to other pins (e.g. RA5) will operate, but logic levels will be standard TTL/ST as selected by the INLVL register.

# PIC16(L)F18313/18323

## Table of Contents

1.0	Device Overview .....	9
2.0	Guidelines for Getting Started With PIC16(L)F183XX Microcontrollers .....	16
3.0	Enhanced Mid-Range CPU .....	19
4.0	Memory Organization .....	21
5.0	Device Configuration .....	51
6.0	Resets .....	58
7.0	Oscillator Module.....	66
8.0	Interrupts .....	85
9.0	Power-Saving Operation Modes .....	101
10.0	Watchdog Timer (WDT) .....	107
11.0	Nonvolatile Memory (NVM) Control.....	111
12.0	I/O Ports .....	128
13.0	Peripheral Pin Select (PPS) Module .....	142
14.0	Peripheral Module Disable .....	148
15.0	Interrupt-on-Change .....	154
16.0	Fixed Voltage Reference (FVR) .....	160
17.0	Temperature Indicator Module .....	163
18.0	Comparator Module.....	165
19.0	Pulse-Width Modulation (PWM) .....	174
20.0	Complementary Waveform Generator (CWG) Module .....	180
21.0	Configurable Logic Cell (CLC).....	202
22.0	Analog-to-Digital Converter (ADC) Module .....	217
23.0	Numerically Controlled Oscillator (NCO1) Module .....	231
24.0	5-bit Digital-to-Analog Converter (DAC1) Module .....	242
25.0	Data Signal Modulator (DSM) Module.....	246
26.0	Timer0 Module .....	257
27.0	Timer1 Module with Gate Control.....	264
28.0	Timer2 Module .....	277
29.0	Capture/Compare/PWM Modules .....	282
30.0	Master Synchronous Serial Port (MSSP1) Module .....	293
31.0	Enhanced Universal Synchronous Asynchronous Receiver Transmitter (EUSART1) .....	346
32.0	Reference Clock Output Module .....	371
33.0	In-Circuit Serial Programming™ (ICSP™) .....	374
34.0	Instruction Set Summary .....	376
35.0	Electrical Specifications.....	390
36.0	DC and AC Characteristics Graphs and Charts .....	420
37.0	Development Support.....	441
38.0	Packaging Information.....	445
	The Microchip Website .....	468
	Customer Change Notification Service .....	468
	Customer Support.....	468
	Product Identification System .....	469

## TO OUR VALUED CUSTOMERS

It is our intention to provide our valued customers with the best documentation possible to ensure successful use of your Microchip products. To this end, we will continue to improve our publications to better suit your needs. Our publications will be refined and enhanced as new volumes and updates are introduced.

If you have any questions or comments regarding this publication, please contact the Marketing Communications Department via E-mail at [docerrors@microchip.com](mailto:docerrors@microchip.com). We welcome your feedback.

### Most Current Data Sheet

To obtain the most up-to-date version of this data sheet, please register at our Worldwide Website at:

<http://www.microchip.com>

You can determine the version of a data sheet by examining its literature number found on the bottom outside corner of any page. The last character of the literature number is the version number, (e.g., DS30000000A is version A of document DS30000000).

### Errata

An errata sheet, describing minor operational differences from the data sheet and recommended workarounds, may exist for current devices. As device/documentation issues become known to us, we will publish an errata sheet. The errata will specify the revision of silicon and revision of document to which it applies.

To determine if an errata sheet exists for a particular device, please check with one of the following:

- Microchip's Worldwide Website; <http://www.microchip.com>
- Your local Microchip sales office (see last page)

When contacting a sales office, please specify which device, revision of silicon and data sheet (include literature number) you are using.

### Customer Notification System

Register on our website at [www.microchip.com](http://www.microchip.com) to receive the most current information on all of our products.



# PIC16(L)F18313/18323

## 1.0 DEVICE OVERVIEW

The PIC16(L)F18313/18323 are described within this data sheet. The PIC16(L)F18313 is available in 8-pin PDIP, SOIC and UDFN packages, and the PIC16(L)F18323 is available in 14-pin PDIP, SOIC and TSSOP packages and 16-pin UQFN packages.

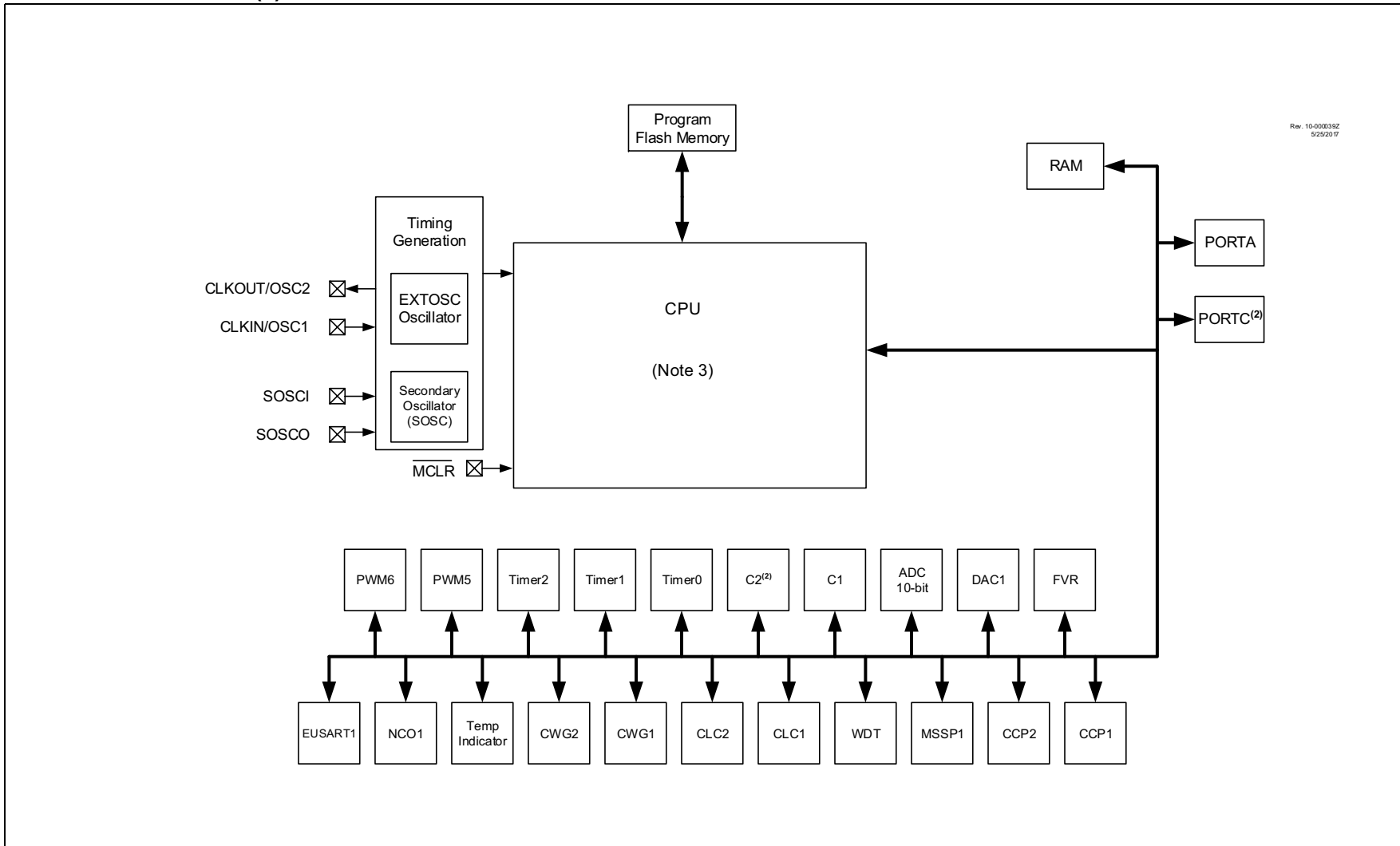
Figure 1-1 shows a block diagram of the PIC16(L)F18313/18323 devices. Table 1-2 shows the pinout descriptions.

Reference Table 1-1 for peripherals available per device.

**TABLE 1-1: DEVICE PERIPHERAL SUMMARY**

Peripheral	PIC16(L)F18313	PIC16(L)F18323
Analog-to-Digital Converter (ADC)	•	•
Temperature Indicator	•	•
Digital-to-Analog Converter (DAC)		
	DAC1	• •
Fixed Voltage Reference (FVR)		
	ADCFVR	• •
	CDAFVR	• •
Digital Signal Modulator (DSM)		
	DSM1	• •
Numerically Controlled Oscillator (NCO)		
	NCO1	• •
Capture/Compare/PWM Modules (CCP)		
	CCP1	• •
	CCP2	• •
Comparators		
	C1	• •
	C2	• •
Complementary Waveform Generator (CWG)		
	CWG1	• •
Configurable Logic Cell (CLC)		
	CLC1	• •
	CLC2	• •
Enhanced Universal Synchronous/Asynchronous Receiver/Transmitter (EUSART)		
	EUSART1	• •
Master Synchronous Serial Port (MSSP)		
	MSSP1	• •
Pulse-Width Modulator (PWM)		
	PWM5	• •
	PWM6	• •
Timers (TMR)		
	TMR0	• •
	TMR1	• •
	TMR2	• •

**FIGURE 1-1: PIC16(L)F18313/18323 BLOCK DIAGRAM**



**Note 1:** See available chapters for more information on peripherals.

**2:** Available on PIC16(L)F18323 only.

**3:** See [Figure 4-1](#).

# PIC16(L)F18313/18323

**TABLE 1-2: PIC16(L)F18313 PINOUT DESCRIPTION**

Name	Function	Input Type	Output Type	Description
RA0/ANA0/C1IN0+/ DAC1OUT/CLCIN3 <sup>(1)</sup> /MDCIN1 <sup>(1)</sup> / ICSPDAT/ICDDAT	RA0	TTL/ST	CMOS	General purpose I/O.
	ANA0	AN	—	ADC Channel A0 input.
	C1IN0+	AN	—	Comparator C1 positive input.
	DAC1OUT	—	AN	Digital-to-Analog Converter output.
	CLCIN3	TTL/ST	—	Configurable Logic Cell source input.
	MDCIN1	TTL/ST	—	Modular Carrier input 1.
	ICSPDAT	TTL/ST	—	ICSP™ Data I/O.
RA1/ANA1/VREF+/C1IN0-/ MDMIN <sup>(1)</sup> /CLCIN2 <sup>(1)</sup> /SCK1 <sup>(3)</sup> / SCL1 <sup>(3)</sup> /RX <sup>(1)</sup> /DAC1REF+/ ICSPCLK/ICDCLK	RA1	TTL/ST	CMOS	General purpose I/O.
	ANA1	AN	—	ADC Channel A1 input.
	VREF+	AN	—	ADC Voltage Reference Positive input.
	C1IN0-	AN	—	Comparator C1 negative input.
	MDMIN	TTL/ST	—	Modulator Source Input.
	CLCIN2	TTL/ST	—	Configurable Logic Cell source input.
	SCK1	TTL/ST	—	SPI clock.
	SCL1	I <sup>2</sup> C	OD	I <sup>2</sup> C clock input/output.
	RX	TTL/ST	—	EUSART asynchronous input.
	DAC1REF+	AN	—	Digital-to-Analog Converter positive reference voltage input.
	ICSPCLK	—	CMOS	Serial Programming Clock.
	ICDCLK	—	CMOS	In-Circuit Debug Clock.
	RA2/ANA2/VREF-/DAC1REF-/ SDI1 <sup>(1,3)</sup> /SDA1 <sup>(1,3)</sup> /T0CKI <sup>(1)</sup> / CWG1IN <sup>(1)</sup> /INT <sup>(1)</sup>	RA2	TTL/ST	CMOS
ANA2		AN	—	ADC Channel A3 input.
VREF-		AN	—	ADC Voltage Reference Negative input.
DAC1REF-		AN	—	Digital-to-Analog Converter negative reference voltage input.
SDI1		TTL/ST	—	SPI Data Input.
SDA1		I <sup>2</sup> C	OD	I <sup>2</sup> C clock input/output.
T0CKI		TTL/ST	—	TMR0 clock input.
CWG1IN		TTL/ST	—	Complementary Waveform Generator input.
RA3/MCLR/VPP/SS1 <sup>(1)</sup> /CLCIN0 <sup>(1)</sup>	RA3	TTL/ST	CMOS	General purpose I/O.
	MCLR	TTL/ST	—	Master Clear with internal pull-up.
	VPP	HV	—	Programming voltage.
	SS1	TTL/ST	—	Slave Select input.
	CLCIN0	TTL/ST	—	Configurable Logic Cell source input.

**Legend:** AN = Analog input or output    CMOS = CMOS compatible input or output    OD = Open-Drain  
TTL = TTL compatible input    ST = Schmitt Trigger input with CMOS levels    I<sup>2</sup>C = Schmitt Trigger input with I<sup>2</sup>C  
HV = High Voltage    XTAL = Crystal levels

- Note** 1: Default peripheral input. Input can be moved to any other pin with the PPS input selection registers. See [Register 13-1](#).  
2: All pin outputs default to PORT latch data. Any pin can be selected as a digital peripheral output with the PPS output selection registers. See [Register 13-2](#).  
3: These I<sup>2</sup>C functions are bidirectional. The output pin selections must be the same as the input pin selections.

# PIC16(L)F18313/18323

**TABLE 1-2: PIC16(L)F18313 PINOUT DESCRIPTION (CONTINUED)**

Name	Function	Input Type	Output Type	Description
RA4/ANA4/C1IN1-/T1G <sup>(1)</sup> / SOSCO/OSC2/CLKOUT	RA4	TTL/ST	CMOS	General purpose I/O.
	ANA4	AN	—	ADC Channel A4 input.
	C1IN1-	AN	—	Comparator C1 negative input.
	T1G	TTL/ST	—	TMR1 gate input.
	SOSCO	—	XTAL	Secondary Oscillator Connection.
	OSC2	—	XTAL	Crystal/Resonator (LP, XT, HS modes).
	CLKOUT	—	CMOS	Fosc/4 output.
RA5/ANA5/MDCIN2 <sup>(1)</sup> /T1CKI <sup>(1)</sup> / SOSCIN/SOSCI/CLCIN1 <sup>(1)</sup> / CCP1 <sup>(1)</sup> /CCP2 <sup>(2)</sup> /OSC1/CLKIN	RA5	TTL/ST	CMOS	General purpose I/O.
	ANA5	AN	—	ADC Channel A5 input.
	MDCIN2	TTL/ST	—	Modular Carrier input 2.
	T1CKI	TTL/ST	—	TMR1 clock input.
	SOSCIN	TTL/ST	—	Secondary Oscillator Input Connection.
	SOSCI	XTAL	—	Secondary Oscillator Connection.
	CLCIN1	TTL/ST	—	Configurable Logic Cell source input.
	CCP1	TTL/ST	—	Capture/Compare/PWM1 input.
	CCP2	TTL/ST	—	Capture/Compare/PWM2 input.
	OSC1	XTAL	—	Crystal/Resonator (LP, XT, HS modes).
	CLKIN	TTL/ST	—	External clock input.
OUT <sup>(2)</sup>	C1OUT	—	CMOS	Comparator output.
	NCO1	—	CMOS	NCO output.
	CCP1	—	CMOS	Capture/Compare/PWM1 output.
	CCP2	—	CMOS	Capture/Compare/PWM2 output.
	PWM5	—	CMOS	PWM5 output.
	PWM6	—	CMOS	PWM6 output.
	CWG1A	—	CMOS	Complementary Waveform Generator Output A.
	CWG1B	—	CMOS	Complementary Waveform Generator Output B.
	CWG1C	—	CMOS	Complementary Waveform Generator Output C.
	CWG1D	—	CMOS	Complementary Waveform Generator Output D.
	SDA1 <sup>(3)</sup>	—	OD	I <sup>2</sup> C data input/output.
	SDO1	—	CMOS	SPI data output.
	SCK1	—	CMOS	SPI clock output.
	SCL1 <sup>(3)</sup>	—	OD	I <sup>2</sup> C clock output.
	TX/CK	—	CMOS	EUSART asynchronous TX data/synchronous clock output.
	DT	—	CMOS	EUSART synchronous data output.
	CLC1OUT	—	CMOS	Configurable Logic Cell 1 source output.
	CLC2OUT	—	CMOS	Configurable Logic Cell 2 source output.
	DSM	—	CMOS	Modulator output.
	TMR0	—	CMOS	TMR0 output.
CLKR	—	CMOS	Clock reference output.	

**Legend:** AN = Analog input or output    CMOS = CMOS compatible input or output    OD = Open-Drain  
TTL = TTL compatible input    ST = Schmitt Trigger input with CMOS levels    I<sup>2</sup>C = Schmitt Trigger input with I<sup>2</sup>C  
HV = High Voltage    XTAL = Crystal levels

- Note** 1: Default peripheral input. Input can be moved to any other pin with the PPS input selection registers. See [Register 13-1](#).  
2: All pin outputs default to PORT latch data. Any pin can be selected as a digital peripheral output with the PPS output selection registers. See [Register 13-2](#).  
3: These I<sup>2</sup>C functions are bidirectional. The output pin selections must be the same as the input pin selections.

# PIC16(L)F18313/18323

**TABLE 1-3: PIC16(L)F18323 PINOUT DESCRIPTION**

Name	Function	Input Type	Output Type	Description
RA0/ANA0/C1IN0+/ DAC1OUT/ICSPDAT/ICDDAT	RA0	TTL/ST	CMOS	General purpose I/O.
	ANA0	AN	—	ADC Channel A0 input.
	C1IN0+	AN	—	Comparator C1 positive input.
	DAC1OUT	—	AN	Digital-to-Analog Converter output.
	ICSPDAT	TTL/ST	—	ICSP™ Data I/O.
	ICDDAT	TTL/ST	—	In-Circuit Debug Data I/O.
RA1/ANA1/VREF+/C1IN0-/ C2IN0-/DAC1REF+/ICSPCLK/ ICDCLK	RA1	TTL/ST	CMOS	General purpose I/O.
	ANA1	AN	—	ADC Channel A1 input.
	VREF+	AN	—	ADC Voltage Reference input.
	C1IN0-	AN	—	Comparator C1 negative input.
	C2IN0-	AN	—	Comparator C2 negative input.
	DAC1REF+	AN	—	Digital-to-Analog Converter positive reference voltage input.
	ICSPCLK	TTL/ST	—	Serial Programming Clock.
	ICDCLK	TTL/ST	—	In-Circuit Debug Clock.
RA2/ANA2/VREF-/DAC1REF-/ T0CKI <sup>(1)</sup> /CWG1IN <sup>(1)</sup> /INT <sup>(1)</sup>	RA2	TTL/ST	CMOS	General purpose I/O.
	ANA2	AN	—	ADC Channel A2 input.
	VREF-	AN	—	ADC Negative Voltage Reference input.
	DAC1REF-	AN	—	Digital-to-Analog Converter negative reference voltage input.
	T0CKI	TTL/ST	—	TMR0 clock input.
	CWG1IN	TTL/ST	—	Complementary Waveform Generator input.
	INT	TTL/ST	—	External interrupt.
RA3/MCLR/VPP	RA3	TTL/ST	CMOS	General purpose I/O.
	MCLR	TTL/ST	—	Master Clear with internal pull-up.
	VPP	HV	—	Programming voltage.
RA4/ANA4/T1G <sup>(1)</sup> /SOSCO/ OSC2/CLKOUT	RA4	TTL/ST	CMOS	General purpose I/O.
	ANA4	AN	—	ADC Channel A4 input.
	T1G	TTL/ST	—	TMR1 gate input.
	SOSCO	—	XTAL	Secondary Oscillator Connection.
	OSC2	—	XTAL	Crystal/Resonator (LP, XT, HS modes).
	CLKOUT	—	CMOS	Fosc/4 output.
RA5/ANA5/T1CKI <sup>(1)</sup> /CLCIN3 <sup>(1)</sup> / SOSCI/SOSCIN/OSC1/CLKIN	RA5	TTL/ST	CMOS	General purpose I/O.
	ANA5	AN	—	ADC Channel A5 input.
	T1CKI	TTL/ST	—	TMR1 clock input.
	CLCIN3	TTL/ST	—	Configurable Logic Cell source input.
	SOSCI	XTAL	—	Secondary Oscillator Connection.
	SOSCIN	TTL/ST	—	Secondary Oscillator Input Connection.
	OSC1	XTAL	—	Crystal/Resonator (LP, XT, HS modes).
	CLKIN	TTL/ST	—	External clock input.

**Legend:** AN = Analog input or output    CMOS = CMOS compatible input or output    OD = Open-Drain  
TTL = TTL compatible input    ST = Schmitt Trigger input with CMOS levels    I<sup>2</sup>C = Schmitt Trigger input with I<sup>2</sup>C  
HV = High Voltage    XTAL = Crystal levels

- Note** 1: Default peripheral input. Input can be moved to any other pin with the PPS input selection registers. See [Register 13-1](#).  
2: All pin outputs default to PORT latch data. Any pin can be selected as a digital peripheral output with the PPS output selection registers. See [Register 13-2](#).  
3: These I<sup>2</sup>C functions are bidirectional. The output pin selections must be the same as the input pin selections.

# PIC16(L)F18313/18323

**TABLE 1-3: PIC16(L)F18323 PINOUT DESCRIPTION (CONTINUED)**

Name	Function	Input Type	Output Type	Description
RC0/ANC0/C2IN0+/SCL1 <sup>(1)</sup> /SCK1 <sup>(1)</sup>	RC0	TTL/ST	CMOS	General purpose I/O.
	ANC0	AN	—	ADC Channel C0 input.
	C2IN0+	AN	—	Comparator positive input.
	SCL1	I <sup>2</sup> C	OD	I <sup>2</sup> C clock.
RC1/ANC1/C1IN1-/C2IN1-/SDA1 <sup>(1)</sup> /SDI1 <sup>(1)</sup> /CLCIN2 <sup>(1)</sup>	RC1	TTL/ST	CMOS	General purpose I/O.
	ANC1	AN	—	ADC Channel C1 input.
	C1IN1-	AN	—	Comparator C1 negative input.
	C2IN1-	AN	—	Comparator C2 negative input.
	SDA1	I <sup>2</sup> C	OD	I <sup>2</sup> C data.
	SDI1	TTL/ST	—	SPI data input.
RC2/ANC2/C1IN2-/C2IN2-/MDCIN1 <sup>(1)</sup>	RC2	TTL/ST	CMOS	General purpose I/O.
	ANC2	AN	—	ADC Channel C2 input.
	C1IN2-	AN	—	Comparator C1 negative input.
	C2IN2-	AN	—	Comparator C2 negative input.
	MDCIN1	TTL/ST	—	Modular Carrier input 1.
RC3/ANC3/C1IN3-/C2IN3-/MDMIN <sup>(1)</sup> /CCP2 <sup>(1)</sup> /CLCIN0 <sup>(1)</sup> /SS1 <sup>(1)</sup>	RC3	TTL/ST	CMOS	General purpose I/O.
	ANC3	AN	—	ADC Channel C3 input.
	C1IN3-	AN	—	Comparator C1 negative input.
	C2IN3-	AN	—	Comparator C2 negative input.
	MDMIN	TTL/ST	—	Modular Source input.
	CCP2	TTL/ST	—	Capture/Compare/PWM2.
	CLCIN0	TTL/ST	—	Configurable Logic Cell source input.
RC4/ANC4/CLCIN1 <sup>(1)</sup>	RC4	TTL/ST	CMOS	General purpose I/O.
	ANC4	AN	—	ADC Channel C4 input.
	CLCIN1	TTL/ST	—	Configurable Logic Cell source input.
RC5/ANC5/MDCIN2 <sup>(1)</sup> /CCP1 <sup>(1)</sup> /RX <sup>(1)</sup>	RC5	TTL/ST	CMOS	General purpose I/O.
	ANC5	AN	—	ADC Channel C5 input.
	MDCIN2	TTL/ST	—	Modular Carrier input 2.
	CCP1	TTL/ST	—	Capture/Compare/PWM1.
VDD	VDD	Power	—	Positive supply.
VSS	VSS	Power	—	Ground reference.

**Legend:** AN = Analog input or output    CMOS = CMOS compatible input or output    OD = Open-Drain  
TTL = TTL compatible input    ST = Schmitt Trigger input with CMOS levels    I<sup>2</sup>C = Schmitt Trigger input with I<sup>2</sup>C  
HV = High Voltage    XTAL = Crystal levels

- Note** 1: Default peripheral input. Input can be moved to any other pin with the PPS input selection registers. See [Register 13-1](#).  
2: All pin outputs default to PORT latch data. Any pin can be selected as a digital peripheral output with the PPS output selection registers. See [Register 13-2](#).  
3: These I<sup>2</sup>C functions are bidirectional. The output pin selections must be the same as the input pin selections.

# PIC16(L)F18313/18323

**TABLE 1-3: PIC16(L)F18323 PINOUT DESCRIPTION (CONTINUED)**

Name	Function	Input Type	Output Type	Description
OUT <sup>(2)</sup>	C1OUT	—	CMOS	Comparator output.
	C2OUT	—	CMOS	Comparator output.
	CCP1	—	CMOS	Capture/Compare/PWM1 output.
	CCP2	—	CMOS	Capture/Compare/PWM2 output.
	PWM5	—	CMOS	PWM5 output.
	PWM6	—	CMOS	PWM6 output.
	CWG1A	—	CMOS	Complementary Waveform Generator Output A.
	CWG1B	—	CMOS	Complementary Waveform Generator Output B.
	CWG1C	—	CMOS	Complementary Waveform Generator Output C.
	CWG1D	—	CMOS	Complementary Waveform Generator Output D.
	SDA1 <sup>(3)</sup>	—	OD	I <sup>2</sup> C data input/output.
	SDO1	—	CMOS	SPI data output.
	SCK1	—	CMOS	SPI clock output.
	SCL1 <sup>(3)</sup>	—	OD	I <sup>2</sup> C clock output.
	TX/CK	—	CMOS	EUSART asynchronous TX data/synchronous clock output.
	DT	—	CMOS	EUSART synchronous data output.
	CLC1OUT	—	CMOS	Configurable Logic Cell 1 source output.
	CLC2OUT	—	CMOS	Configurable Logic Cell 2 source output.
	NCO1	—	CMOS	Numerically controlled oscillator output.
	DSM	—	CMOS	Data Signal Modulator output.
TMR0	—	CMOS	TMR0 clock output.	

**Legend:** AN = Analog input or output    CMOS = CMOS compatible input or output    OD = Open-Drain  
TTL = TTL compatible input    ST = Schmitt Trigger input with CMOS levels    I<sup>2</sup>C = Schmitt Trigger input with I<sup>2</sup>C  
HV = High Voltage    XTAL = Crystal levels

- Note** 1: Default peripheral input. Input can be moved to any other pin with the PPS input selection registers. See [Register 13-1](#).  
2: All pin outputs default to PORT latch data. Any pin can be selected as a digital peripheral output with the PPS output selection registers. See [Register 13-2](#).  
3: These I<sup>2</sup>C functions are bidirectional. The output pin selections must be the same as the input pin selections.

# PIC16(L)F18313/18323

## 2.0 GUIDELINES FOR GETTING STARTED WITH PIC16(L)F183XX MICROCONTROLLERS

### 2.1 Basic Connection Requirements

Getting started with the PIC16(L)F183XX family of 8-bit microcontrollers requires attention to a minimal set of device pin connections before proceeding with development.

The following pins must always be connected:

- All VDD and VSS pins (see [Section 2.2 “Power Supply Pins”](#))
- MCLR pin (when configured for external operation) (see [Section 2.3 “Master Clear \(MCLR\) Pin”](#))

These pins must also be connected if they are being used in the end application:

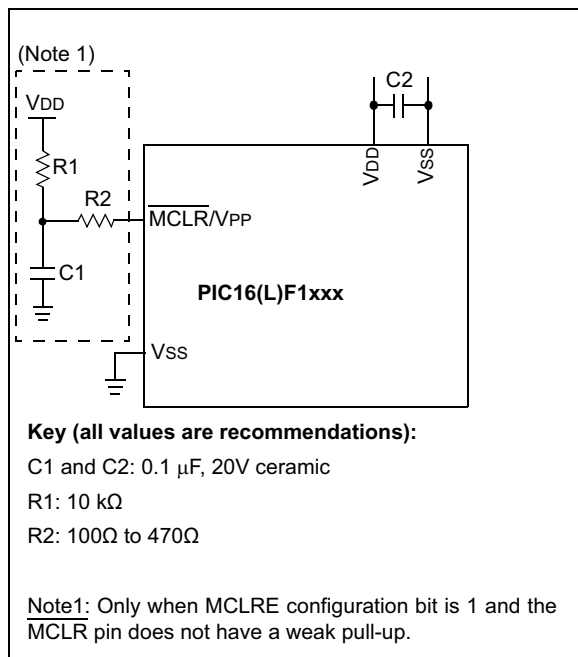
- ICSPCLK/ICSPDAT pins used for In-Circuit Serial Programming™ (ICSP™) and debugging purposes (see [Section 2.4 “ICSP™ Pins”](#))
- OSC1 and OSC2 pins when an external oscillator source is used (see [Section 2.5 “External Oscillator Pins”](#))

Additionally, the following pins may be required:

- VREF+/VREF- pins are used when external voltage reference for analog modules is implemented

The minimum mandatory connections are shown in [Figure 2-1](#).

**FIGURE 2-1: RECOMMENDED MINIMUM CONNECTIONS**



### 2.2 Power Supply Pins

#### 2.2.1 DECOUPLING CAPACITORS

The use of decoupling capacitors on every pair of power supply pins (VDD and VSS) is required. All VDD and VSS pins must be connected. None can be left floating.

Consider the following criteria when using decoupling capacitors:

- **Value and type of capacitor:** A 0.1  $\mu$ F (100 nF), 10-20V capacitor is recommended. The capacitor should be a low-ESR device, with a resonance frequency in the range of 200 MHz and higher. Ceramic capacitors are recommended.
- **Placement on the printed circuit board:** The decoupling capacitors should be placed as close to the pins as possible. It is recommended to place the capacitors on the same side of the board as the device. If space is constricted, the capacitor can be placed on another layer on the PCB using a via; however, ensure that the trace length from the pin to the capacitor is no greater than 0.25 inch (6 mm).
- **Handling high-frequency noise:** If the board is experiencing high-frequency noise (upward of tens of MHz), add a second ceramic type capacitor in parallel to the above described decoupling capacitor. The value of the second capacitor can be in the range of 0.01  $\mu$ F to 0.001  $\mu$ F. Place this second capacitor next to each primary decoupling capacitor. In high-speed circuit designs, consider implementing a decade pair of capacitances as close to the power and ground pins as possible (e.g., 0.1  $\mu$ F in parallel with 0.001  $\mu$ F).
- **Maximizing performance:** On the board layout from the power supply circuit, run the power and return traces to the decoupling capacitors first, and then to the device pins. This ensures that the decoupling capacitors are first in the power chain. Equally important is to keep the trace length between the capacitor and the power pins to a minimum, thereby reducing PCB trace inductance.

#### 2.2.2 TANK CAPACITORS

On boards with power traces running longer than six inches in length, it is suggested to use a tank capacitor for integrated circuits, including microcontrollers, to supply a local power source. The value of the tank capacitor should be determined based on the trace resistance that connects the power supply source to the device, and the maximum current drawn by the device in the application. In other words, select the tank capacitor so that it meets the acceptable voltage sag at the device. Typical values range from 4.7  $\mu$ F to 47  $\mu$ F.



## 2.3 Master Clear ( $\overline{\text{MCLR}}$ ) Pin

The  $\overline{\text{MCLR}}$  pin provides three specific device functions:

- Device Reset (when  $\text{MCLRE} = 1$ )
- Digital input pin (when  $\text{MCLRE} = 0$ )
- Device Programming and Debugging

If programming and debugging are not required in the end application then either set the  $\text{MCLRE}$  configuration bit to '1' and use the pin as a digital input or clear the  $\text{MCLRE}$  Configuration bit and leave the pin open to use the internal weak pull-up. The addition of other components, to help increase the application's resistance to spurious Resets from voltage sags, may be beneficial. A typical configuration is shown in [Figure 2-1](#). Other circuit designs may be implemented, depending on the application's requirements.

During programming and debugging, the resistance and capacitance that can be added to the pin must be considered. Device programmers and debuggers drive the  $\overline{\text{MCLR}}$  pin. Consequently, specific voltage levels ( $V_{IH}$  and  $V_{IL}$ ) and fast signal transitions must not be adversely affected. Therefore, the programmer  $\overline{\text{MCLR}}/V_{PP}$  output should be connected directly to the pin so that R1 isolates the capacitor, C1 from the  $\overline{\text{MCLR}}$  pin during programming and debugging operations.

Any components associated with the  $\overline{\text{MCLR}}$  pin should be placed within 0.25 inch (6 mm) of the pin.

## 2.4 ICSP™ Pins

The ICSPCLK and ICSPDAT pins are used for In-Circuit Serial Programming™ (ICSP™) and debugging purposes. It is recommended to keep the trace length between the ICSP connector and the ICSP pins on the device as short as possible. If the ICSP connector is expected to experience an ESD event, a series resistor is recommended, with the value in the range of a few tens of ohms, not to exceed 100Ω.

Pull-up resistors, series diodes and capacitors on the ICSPCLK and ICSPDAT pins are not recommended as they will interfere with the programmer/debugger communications to the device. If such discrete components are an application requirement, they should be isolated from the programmer by resistors between the application and the device pins or removed from the circuit during programming. Alternatively, refer to the AC/DC characteristics and timing requirements information in the respective device Flash programming specification for information on capacitive loading limits, and pin input voltage high ( $V_{IH}$ ) and input low ( $V_{IL}$ ) requirements.

For device emulation, ensure that the "Communication Channel Select" (i.e., ICSPCLK/ICSPDAT pins), programmed into the device, matches the physical connections for the ICSP to the Microchip debugger/emulator tool.

For more information on available Microchip development tools connection requirements, refer to [Section 37.0 "Development Support"](#).

# PIC16(L)F18313/18323

## 2.5 External Oscillator Pins

Many microcontrollers have options for at least two oscillators: a high-frequency primary oscillator and a low-frequency secondary oscillator (refer to [Section 7.0 “Oscillator Module”](#) for details).

The oscillator circuit should be placed on the same side of the board as the device. Place the oscillator circuit close to the respective oscillator pins with no more than 0.5 inch (12 mm) between the circuit components and the pins. The load capacitors should be placed next to the oscillator itself, on the same side of the board.

Use a grounded copper pour around the oscillator circuit to isolate it from surrounding circuits. The grounded copper pour should be routed directly to the MCU ground. Do not run any signal traces or power traces inside the ground pour. Also, if using a two-sided board, avoid any traces on the other side of the board where the crystal is placed.

Layout suggestions are shown in [Figure 2-2](#). In-line packages may be handled with a single-sided layout that completely encompasses the oscillator pins. With fine-pitch packages, it is not always possible to completely surround the pins and components. A suitable solution is to tie the broken guard sections to a mirrored ground layer. In all cases, the guard trace(s) must be returned to ground.

In planning the application’s routing and I/O assignments, ensure that adjacent port pins, and other signals in close proximity to the oscillator, are benign (i.e., free of high frequencies, short rise and fall times, and other similar noise).

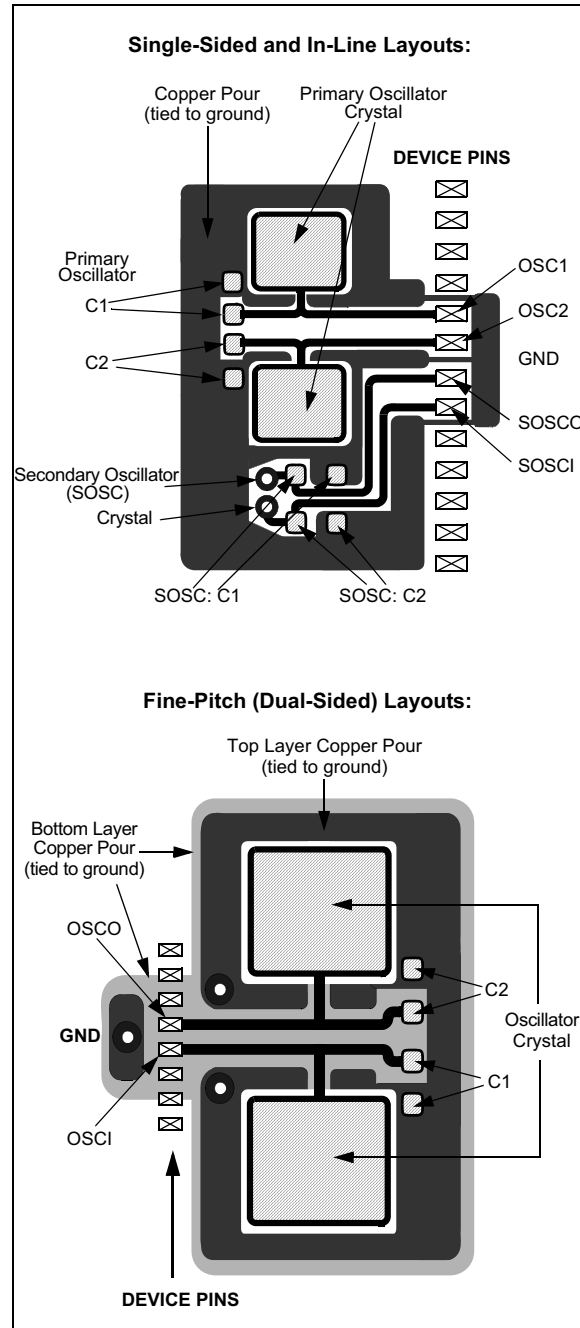
For additional information and design guidance on oscillator circuits, please refer to these Microchip Application Notes, available at the corporate website ([www.microchip.com](http://www.microchip.com)):

- AN826, “Crystal Oscillator Basics and Crystal Selection for rPIC™ and PICmicro® Devices”
- AN849, “Basic PICmicro® Oscillator Design”
- AN943, “Practical PICmicro® Oscillator Analysis and Design”
- AN949, “Making Your Oscillator Work”

## 2.6 Unused I/Os

Unused I/O pins should be configured as outputs and driven to a logic low state. Alternatively, connect a 1 kΩ to 10 kΩ resistor to V<sub>SS</sub> on unused pins and drive the output logic low.

**FIGURE 2-2: SUGGESTED PLACEMENT OF THE OSCILLATOR CIRCUIT**

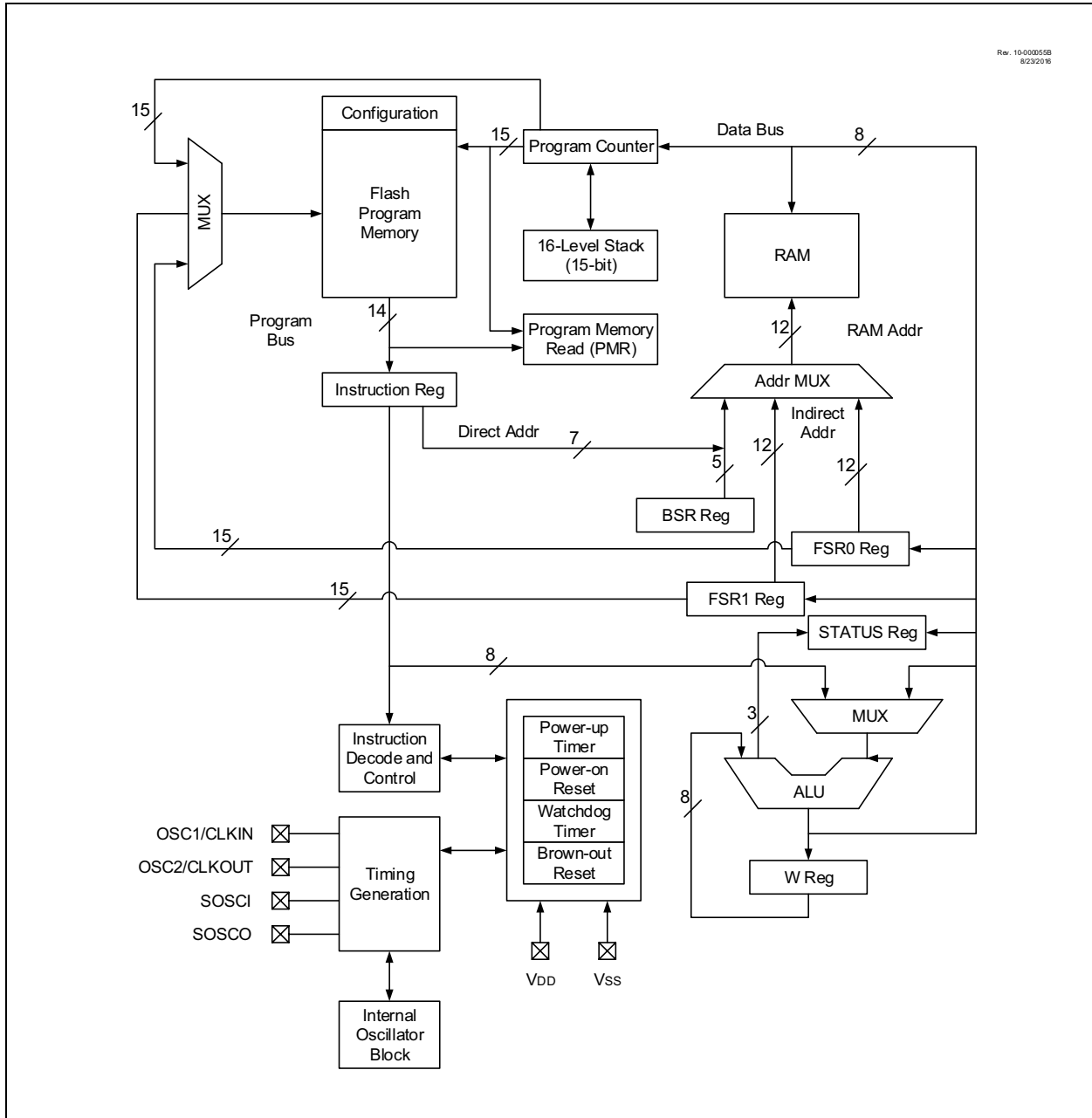


## 3.0 ENHANCED MID-RANGE CPU

This family of devices contains an enhanced mid-range 8-bit CPU core. The CPU has 48 instructions. Interrupt capability includes automatic context saving.

The hardware stack is 16-levels deep and has Overflow and Underflow Reset capability. Direct, Indirect, and Relative addressing modes are available. Two File Select Registers (FSRs) provide the ability to read program and data memory.

**FIGURE 3-1: CORE DATA PATH BLOCK DIAGRAM**



# PIC16(L)F18313/18323

---

## 3.1 Automatic Interrupt Context Saving

During interrupts, certain registers are automatically saved in shadow registers and restored when returning from the interrupt. This saves stack space and user code. See [Section 8.5 “Automatic Context Saving”](#) for more information.

## 3.2 16-Level Stack with Overflow and Underflow

These devices have a hardware stack memory 15 bits wide and 16 words deep. A Stack Overflow or Underflow will set the appropriate bit (STKOVF or STKUNF) in the PCON0 register, and if enabled, will cause a software Reset. See [Section 4.4 “Stack”](#) for more details.

## 3.3 File Select Registers

There are two 16-bit File Select Registers (FSR). FSRs can access all file registers, program memory, and data EEPROM, which allows one Data Pointer for all memory. When an FSR points to program memory, there is one additional instruction cycle in instructions using INDF to allow the data to be fetched. General purpose memory can now also be addressed linearly, providing the ability to access contiguous data larger than 80 bytes. See [Section 4.5 “Indirect Addressing”](#) for more details.

## 3.4 Instruction Set

There are 48 instructions for the enhanced mid-range CPU to support the features of the CPU. See [Section 34.0 “Instruction Set Summary”](#) for more details.

## 4.0 MEMORY ORGANIZATION

These devices contain the following types of memory:

- Program Memory
  - Configuration Words
  - Device ID
  - Revision ID
  - User ID
  - Program Flash Memory
- Data Memory
  - Core Registers
  - Special Function Registers
  - General Purpose RAM
  - Common RAM
- Data EEPROM

### 4.1 Program Memory Organization

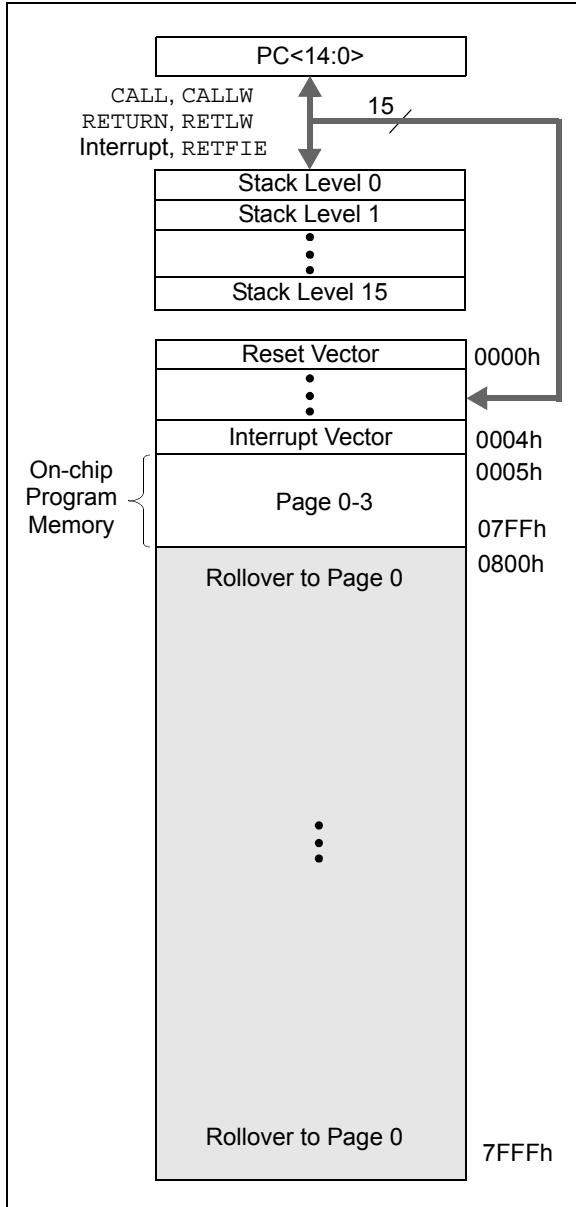
The enhanced mid-range core has a 15-bit program counter capable of addressing 32K x 14 program memory space. [Table 4-1](#) shows the memory sizes implemented. Accessing a location above these boundaries will cause a wrap-around within the implemented memory space. The Reset vector is at 0000h and the interrupt vector is at 0004h (see [Figure 4-1](#)).

**TABLE 4-1: DEVICE SIZES AND ADDRESSES**

Device	Program Memory Size (Words)	Last Program Memory Address
PIC16(L)F18313/18323	2048	07FFh

# PIC16(L)F18313/18323

**FIGURE 4-1: PROGRAM MEMORY MAP AND STACK FOR PIC16(L)F18313/18323**



## 4.1.1 READING PROGRAM MEMORY AS DATA

There are three methods of accessing constants in program memory. The first method is to use tables of RETLW instructions. The second method is to set an FSR to point to the program memory. The third method is to use the NVMCON registers to access the program memory.

### 4.1.1.1 RETLW Instruction

The RETLW instruction can be used to provide access to tables of constants. The recommended way to create such a table is shown in [Example 4-1](#).

#### EXAMPLE 4-1: RETLW INSTRUCTION

```
constants
    BRW                ;Add Index in W to
                       ;program counter to
                       ;select data
    RETLW DATA0      ;Index0 data
    RETLW DATA1      ;Index1 data
    RETLW DATA2
    RETLW DATA3

my_function
    ;... LOTS OF CODE...
    MOVLW    DATA_INDEX
    call constants
    ;... THE CONSTANT IS IN W
```

The BRW instruction makes this type of table very simple to implement. If your code must remain portable with previous generations of microcontrollers, computed GOTO method must be used because the BRW instruction is not available in some devices, such as the PIC16F6XX, PIC16F7XX, PIC16F8XX, and PIC16F9XX devices.

## 4.1.1.2 Indirect Read with FSR

The program memory can be accessed as data by setting bit 7 of an FSRxH register and reading the matching INDFx register. The `MOVIW` instruction will place the lower eight bits of the addressed word in the W register. Writes to the program memory cannot be performed via the INDF registers. Instructions that read the program memory via the FSR require one extra instruction cycle to complete. [Example 4-2](#) demonstrates reading the program memory via an FSR.

The `HIGH` directive will set bit 7 if a label points to a location in the program memory.

### EXAMPLE 4-2: ACCESSING PROGRAM MEMORY VIA FSR

```
constants
    RETLW DATA0      ;Index0 data
    RETLW DATA1      ;Index1 data
    RETLW DATA2
    RETLW DATA3
my_function
    ;... LOTS OF CODE...
    MOVLW LOW constants
    MOVWF FSR1L
    MOVLW HIGH constants
    MOVWF FSR1H
    MOVIW 0[FSR1]
;THE PROGRAM MEMORY IS IN W
```

## 4.1.1.3 NVMREG Access

The NVMREG interface allows read/write access to all locations accessible by the FSRs, User ID locations, and EEPROM. The NVMREG interface also provides read-only access to Device ID, Revision ID, and Configuration data. See [Section 11.4 “NVMREG Access”](#) for more information.

## 4.2 Data Memory Organization

The data memory is partitioned into 32 memory banks with 128 bytes in each bank. Each bank consists of ([Figure 4-2](#)):

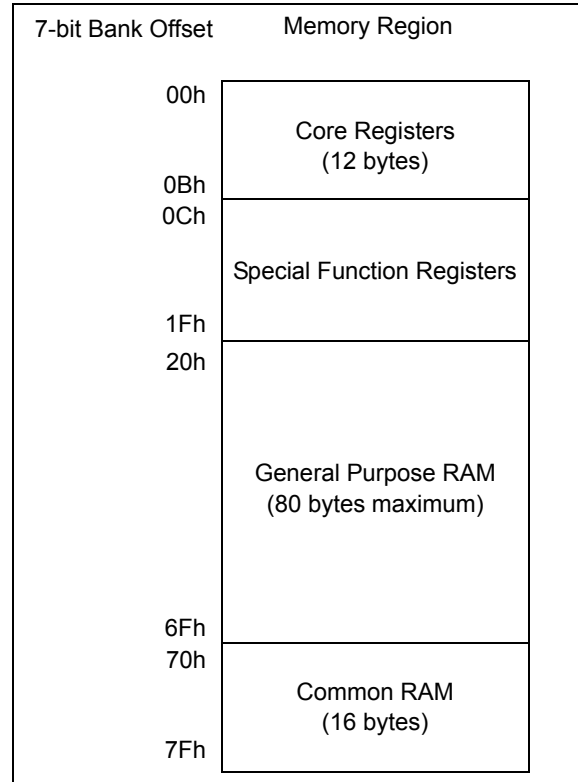
- 12 core registers
- Special Function Registers (SFR)
- Up to 80 bytes of General Purpose RAM (GPR)
- 16 bytes of common RAM

### 4.2.1 BANK SELECTION

The active bank is selected by writing the bank number into the Bank Select Register (BSR). Unimplemented memory will read as '0'. All data memory can be accessed either directly (via instructions that use the file registers) or indirectly via the two File Select Registers (FSR). See [Section 4.5 “Indirect Addressing”](#) for more information.

Data memory uses a 12-bit address. The upper five bits of the address define the Bank address and the lower seven bits select the registers/RAM in that bank.

**FIGURE 4-2: BANKED MEMORY PARTITIONING**



### 4.2.2 CORE REGISTERS

The core registers contain the registers that directly affect basic operation. The core registers occupy the first 12 addresses of every data memory bank (addresses x00h/x80h through x0Bh/x8Bh). These registers are listed below in [Table 4-2](#). For detailed information, see [Table 4-4](#).

**TABLE 4-2: CORE REGISTERS**

Addresses	BANKx
x00h or x80h	INDF0
x01h or x81h	INDF1
x02h or x82h	PCL
x03h or x83h	STATUS
x04h or x84h	FSR0L
x05h or x85h	FSR0H
x06h or x86h	FSR1L
x07h or x87h	FSR1H
x08h or x88h	BSR
x09h or x89h	WREG
x0Ah or x8Ah	PCLATH
x0Bh or x8Bh	INTCON

# PIC16(L)F18313/18323

## 4.2.2.1 STATUS Register

The STATUS register, shown in [Register 4-1](#), contains:

- The arithmetic status of the ALU
- The Reset status

The STATUS register can be the destination for any instruction, like any other register. If the STATUS register is the destination for an instruction that affects the Z, DC or C bits, then the write to these three bits is disabled. These bits are set or cleared according to the device logic. Furthermore, the  $\overline{TO}$  and  $\overline{PD}$  bits are not writable. Therefore, the result of an instruction with the STATUS register as destination may be different than intended.

For example, `CLRF STATUS` will clear the upper three bits and set the Z bit. This leaves the STATUS register as '000u u1uu' (where u = unchanged).

It is recommended, therefore, that only `BCF`, `BSF`, `SWAPF` and `MOVWF` instructions are used to alter the STATUS register, because these instructions do not affect any Status bits. For other instructions not affecting any Status bits (Refer to [Section 34.0 "Instruction Set Summary"](#)).

**Note 1:** The C and DC bits operate as Borrow and Digit Borrow out bits, respectively, in subtraction.

**REGISTER 4-1: STATUS: STATUS REGISTER**

U-0	U-0	U-0	R-1/q	R-1/q	R/W-0/u	R/W-0/u	R/W-0/u	
—	—	—	$\overline{TO}$	$\overline{PD}$	Z	DC <sup>(1)</sup>	C <sup>(1)</sup>	
bit 7								bit 0

**Legend:**

R = Readable bit	W = Writable bit	U = Unimplemented bit, read as '0'
u = Bit is unchanged	x = Bit is unknown	-n/n = Value at POR and BOR/Value at all other Resets
'1' = Bit is set	'0' = Bit is cleared	q = Value depends on condition

- bit 7-5      **Unimplemented:** Read as '0'
- bit 4       **$\overline{TO}$ :** Time-Out bit  
             1 = After power-up, `CLRWDT` instruction or `SLEEP` instruction  
             0 = A WDT Time-out occurred
- bit 3       **$\overline{PD}$ :** Power-Down bit  
             1 = After power-up or by the `CLRWDT` instruction  
             0 = By execution of the `SLEEP` instruction
- bit 2      **Z:** Zero bit  
             1 = The result of an arithmetic or logic operation is zero  
             0 = The result of an arithmetic or logic operation is not zero
- bit 1      **DC:** Digit Carry/Digit Borrow bit (`ADDWF`, `ADDLW`, `SUBLW`, `SUBWF` instructions)<sup>(1)</sup>  
             1 = A carry-out from the 4th low-order bit of the result occurred  
             0 = No carry-out from the 4th low-order bit of the result
- bit 0      **C:** Carry/Borrow bit<sup>(1)</sup> (`ADDWF`, `ADDLW`, `SUBLW`, `SUBWF` instructions)<sup>(1)</sup>  
             1 = A carry-out from the Most Significant bit of the result occurred  
             0 = No carry-out from the Most Significant bit of the result occurred

**Note 1:** For Borrow, the polarity is reversed. A subtraction is executed by adding the two's complement of the second operand. For rotate (`RRF`, `RLF`) instructions, this bit is loaded with either the high-order or low-order bit of the source register.



# PIC16(L)F18313/18323

## 4.2.3 SPECIAL FUNCTION REGISTERS

The Special Function Registers are registers used by the application to control the desired operation of peripheral functions in the device. The Special Function Registers occupy the 20 bytes after the core registers of every data memory bank (addresses x0Ch/x8Ch through x1Fh/x9Fh), with the exception of banks 27, 28, and 29 (PPS and CLC registers). The registers associated with the operation of the peripherals are described in the appropriate peripheral chapter of this data sheet.

## 4.2.4 GENERAL PURPOSE RAM

There are up to 80 bytes of GPR in each data memory bank. The general purpose RAM can be accessed in a non-banked method via the FSRs. This can simplify access to large memory structures. See [Section 4.5.2 “Linear Data Memory”](#) for more information.

## 4.2.5 COMMON RAM

There are 16 bytes of common RAM accessible from all banks.

## 4.2.6 DEVICE MEMORY MAPS

The memory maps for PIC16(L)F18313/18323 are as shown in [Table 4-4](#).

**TABLE 4-3: SPECIAL FUNCTION REGISTER SUMMARY BANKS 0-31 (ALL BANKS)**

Bank Offset	Name	Bit 7	Bit 6	Bit 5	Bit 4	Bit 3	Bit 2	Bit 1	Bit 0	Value on: POR, BOR	Value on all other Resets
<b>All Banks</b>											
000h	INDF0	Addressing this location uses contents of FSR0H/FSR0L to address data memory (not a physical register)								xxxx xxxx	xxxx xxxx
001h	INDF1	Addressing this location uses contents of FSR1H/FSR1L to address data memory (not a physical register)								xxxx xxxx	xxxx xxxx
002h	PCL	Program Counter (PC) Least Significant Byte								0000 0000	0000 0000
003h	STATUS	—	—	—	$\overline{TO}$	$\overline{PD}$	Z	DC	C	---1 1000	---q quuu
004h	FSR0L	Indirect Data Memory Address 0 Low Pointer								0000 0000	uuuu uuuu
005h	FSR0H	Indirect Data Memory Address 0 High Pointer								0000 0000	0000 0000
006h	FSR1L	Indirect Data Memory Address 1 Low Pointer								0000 0000	uuuu uuuu
007h	FSR1H	Indirect Data Memory Address 1 High Pointer								0000 0000	0000 0000
008h	BSR	—	—	—	BSR4	BSR3	BSR2	BSR1	BSR0	---0 0000	---0 0000
009h	WREG	Working Register								0000 0000	uuuu uuuu
00Ah	PCLATH	—	—	—	—	—	Write Buffer for the upper three bits of the Program Counter			---- -000	---- -000
00Bh	INTCON	GIE	PEIE	—	—	—	—	—	INTEDG	00-- ---1	00-- ---1

Legend: x = unknown, u = unchanged, q = depends on condition, - = unimplemented, read as '0', r = reserved. Shaded locations unimplemented, read as '0'.

**Note 1:** These Registers can be accessed from any bank

**TABLE 4-4: SPECIAL FUNCTION REGISTER SUMMARY BANKS 0-31**

Address	Name	PIC16(L)F18313	PIC16(L)F18323	Bit 7	Bit 6	Bit 5	Bit 4	Bit 3	Bit 2	Bit 1	Bit 0	Value on: POR, BOR	Value on all other Resets
<b>Bank 0</b>													
<b>CPU CORE REGISTERS; see Table 4-2 for specifics</b>													
00Ch	PORTA			—	—	RA5	RA4	RA3	RA2	RA1	RA0	--xx xxxx	--uu uuuu
00Dh	—			Unimplemented								—	—
00Eh	PORTC	X	—	Unimplemented								—	—
		—	X	—	—	RC5	RC4	RC3	RC2	RC1	RC0	--xx xxxx	--uu uuuu
00Fh	—			Unimplemented								—	—
010h	PIR0			—	—	TMR0IF	IOCIF	—	—	—	INTF	--00 ---0	--00 ---0
011h	PIR1			TMR1GIF	ADIF	RCIF	TXIF	SSP1IF	BCL1IF	TMR2IF	TMR1IF	0000 0000	0000 0000
012h	PIR2	X	—	—	—	C1IF	NVMIF	—	—	—	NCO1IF	0000 0000	0000 0000
		—	X	—	C2IF	C1IF	NVMIF	—	—	—	NCO1IF	0000 0000	0000 0000
013h	PIR3			OSFIF	CSWIF	—	—	—	—	CLC2IF	CLC1IF	0000 0000	0000 0000
014h	PIR4			—	CWG1IF	—	—	—	—	CCP2IF	CCP1IF	0000 0000	0000 0000
015h	TMR0L			TMR0<7:0>							0000 0000	0000 0000	
016h	TMR0H			TMR0<15:8>							1111 1111	1111 1111	
017h	T0CON0			T0EN	—	T0OUT	T016BIT	T0OUTPS<3:0>			0-00 0000	0-00 0000	
018h	T0CON1			T0CS<2:0>			T0ASYNC	T0CKPS<3:0>			0000 0000	0000 0000	
019h	TMR1L			TMR1L<7:0>							xxxx xxxx	uuuu uuuu	
01Ah	TMR1H			TMR1H<7:0>							xxxx xxxx	uuuu uuuu	
01Bh	T1CON			TMR1CS<1:0>		T1CKPS<1:0>		T1SOSC	T1SYNC	—	TMR1ON	0000 00-0	uuuu uu-u
01Ch	T1GCON			TMR1GE	T1GPOL	T1GTM	T1GSPM	T1GGO/ DONE	T1GVAL	T1GSS<1:0>		0000 0x00	uuuu uxuu
01Dh	TMR2			TMR2<7:0>							0000 0000	0000 0000	
01Eh	PR2			PR2<7:0>							1111 1111	1111 1111	
01Fh	T2CON			—	T2OUTPS<3:0>			TMR2ON	T2CKPS<1:0>		-000 0000	-000 0000	

**Legend:** x = unknown, u = unchanged, □ = depends on condition, - = unimplemented, read as '0', x = reserved. Shaded locations unimplemented, read as '0'.

**Note 1:** Only on PIC16F18313/18323.

TABLE 4-4: SPECIAL FUNCTION REGISTER SUMMARY BANKS 0-31 (CONTINUED)

Address	Name	PIC16(L)F18313	PIC16(L)F18323	Bit 7	Bit 6	Bit 5	Bit 4	Bit 3	Bit 2	Bit 1	Bit 0	Value on: POR, BOR	Value on all other Resets	
<b>Bank 1</b>														
CPU CORE REGISTERS; see Table 4-2 for specifics														
08Ch	TRISA			—	—	TRISA5	TRISA4	—	TRISA2	TRISA1	TRISA0	--11 -111	--11 -111	
08Dh	—	—	—	Unimplemented									—	—
08Eh	TRISC	X	—	Unimplemented									—	—
		—	X	—	—	TRISC5	TRISC4	TRISC3	TRISC2	TRISC1	TRISC0	--11 1111	--11 1111	
08Fh	—	—	—	Unimplemented									—	—
090h	PIE0			—	—	TMR0IE	IOIE	—	—	—	INTE	--00 ---0	--00 ---0	
091h	PIE1			TMR1GIE	ADIE	RCIE	TXIE	SSP1IE	BCL1IE	TMR2IE	TMR1IE	0000 0000	0000 0000	
092h	PIE2	X	—	—	—	C1IE	NVMIE	—	—	—	NCO1IE	0000 0000	0000 0000	
		—	X	—	C2IE	C1IE	NVMIE	—	—	—	NCO1IE	0000 0000	0000 0000	
093h	PIE3			OSFIE	CSWIE	—	—	—	—	CLC2IE	CLC1IE	0000 0000	0000 0000	
094h	PIE4			—	CWG1IE	—	—	—	—	CCP2IE	CCP1IE	0000 0000	0000 0000	
095h	—	—	—	Unimplemented									—	—
096h	—	—	—	Unimplemented									—	—
097h	WDTCON			—	—	WDTPS<4:0>				SWDTEN	--01 0110	--01 0110		
098h	—	—	—	Unimplemented									—	—
099h	—	—	—	Unimplemented									—	—
09Ah	—	—	—	Unimplemented									—	—
09Bh	ADRESL			ADRESL<7:0>							xxxx xxxx	uuuu uuuu		
09Ch	ADRESH			ADRESH<7:0>							xxxx xxxx	uuuu uuuu		
09Dh	ADCON0			CHS<5:0>					GO/DONE	ADON	0000 0000	0000 0000		
09Eh	ADCON1			ADFM	ADCS<2:0>		—	ADNREF	ADPREF<1:0>		0000 -000	0000 -000		
09Fh	ADACT			—	—	—	—	ADACT<3:0>				---- 0000	---- 0000	

**Legend:** x = unknown, u = unchanged, c = depends on condition, - = unimplemented, read as '0', r = reserved. Shaded locations unimplemented, read as '0'.

**Note 1:** Only on PIC16F18313/18323.

**TABLE 4-4: SPECIAL FUNCTION REGISTER SUMMARY BANKS 0-31 (CONTINUED)**

Address	Name	PIC16(L)F18313	PIC16(L)F18323	Bit 7	Bit 6	Bit 5	Bit 4	Bit 3	Bit 2	Bit 1	Bit 0	Value on: POR, BOR	Value on all other Resets	
<b>Bank 2</b>														
<b>CPU CORE REGISTERS; see Table 4-2 for specifics</b>														
10Ch	LATA			—	—	LATA5	LATA4	—	LATA2	LATA1	LATA0	--xx -xxx	--uu -uuu	
10Dh	—			Unimplemented									—	—
10Eh	LATC	X	—	Unimplemented									—	—
		—	X	—	—	LATC5	LATC4	LATC3	LATC2	LATC1	LATC0	--xx xxxx	--uu uuuu	
10Fh	—			Unimplemented									—	—
110h	—			Unimplemented									—	—
111h	CM1CON0			C1ON	C1OUT	—	C1POL	—	C1SP	C1HYS	C1SYNC	00-0 -100	00-0 -100	
112h	CM1CON1			C1INTP	C1INTN	C1PCH<2:0>			C1NCH<2:0>			0000 0000	0000 0000	
113h	CM2CON0	X	—	Unimplemented									—	—
		—	X	C2ON	C2OUT	—	C2POL	—	C2SP	C2HYS	C2SYNC	00-0 -100	00-0 -100	
114h	CM2CON1	X	—	Unimplemented									—	—
		—	X	C2INTP	C2INTN	C2PCH<2:0>			C2NCH<2:0>			0000 0000	0000 0000	
115h	CMOUT	X	—	—	—	—	—	—	—	—	MC1OUT	---- -0	---- -0	
		—	X	—	—	—	—	—	—	—	MC2OUT	---- -00	---- -00	
116h	BORCON			SBOREN	Reserved	—	—	—	—	—	BORRDY	1--- -q	u--- -u	
117h	FVRCON			FVREN	FVRRDY	TSEN	TSRNG	CDAFVR<1:0>		ADFVR<1:0>		0q00 0000	0q00 0000	
118h	DACCON0			DAC1EN	—	DAC1OE	—	DAC1PSS<1:0>		—	DAC1NSS	0-0- 00-0	0-0- 00-0	
119h	DACCON1			—	—	—	DAC1R<4:0>					---0 0000	---0 0000	
11Ah-11Fh	—			Unimplemented									—	—

**Legend:** x = unknown, u = unchanged, q = depends on condition, - = unimplemented, read as '0', x = reserved. Shaded locations unimplemented, read as '0'.

**Note 1:** Only on PIC16F18313/18323.

TABLE 4-4: SPECIAL FUNCTION REGISTER SUMMARY BANKS 0-31 (CONTINUED)

Address	Name	PIC16(L)F18313	PIC16(L)F18323	Bit 7	Bit 6	Bit 5	Bit 4	Bit 3	Bit 2	Bit 1	Bit 0	Value on: POR, BOR	Value on all other Resets	
<b>Bank 3</b>														
CPU CORE REGISTERS; see Table 4-2 for specifics														
18Ch	ANSELA			—	—	ANSA5	ANSA4	—	ANSA2	ANSA1	ANSA0	--11 -111	--11 -111	
18Dh	—	—	—	Unimplemented									—	—
18Eh	ANSELC	X	—	Unimplemented									—	—
		—	X	—	—	ANSC5	ANSC4	ANSC3	ANSC2	ANSC1	ANSC0	--11 1111	--11 1111	
18Fh	—	—	—	Unimplemented									—	—
190h	—	—	—	Unimplemented									—	—
191h	—	—	—	Unimplemented									—	—
192h	—	—	—	Unimplemented									—	—
193h	—	—	—	Unimplemented									—	—
194h	—	—	—	Unimplemented									—	—
195h	—	—	—	Unimplemented									—	—
196h	—	—	—	Unimplemented									—	—
197h	VREGCON <sup>(1)</sup>			—	—	—	—	—	—	VREGPM	Reserved	-----01	-----01	
198h	—	—	—	Unimplemented									—	—
199h	RC1REG			RC1REG<7:0>									0000 0000	0000 0000
19Ah	TX1REG			TX1REG<7:0>									0000 0000	0000 0000
19Bh	SP1BRGL			SP1BRG<7:0>									0000 0000	0000 0000
19Ch	SP1BRGH			SP1BRG<15:8>									0000 0000	0000 0000
19Dh	RC1STA			SPEN	RX9	SREN	CREN	ADDEN	FERR	OERR	RX9D	0000 000x	0000 000x	
19Eh	TX1STA			CSRC	TX9	TXEN	SYNC	SENDB	BRGH	TRMT	TX9D	0000 0010	0000 0010	
19Fh	BAUD1CON			ABDOVF	RCIDL	—	SCKP	BRG16	—	WUE	ABDEN	01-0 0-00	01-0 0-00	

**Legend:** x = unknown, u = unchanged, c = depends on condition, - = unimplemented, read as '0', r = reserved. Shaded locations unimplemented, read as '0'.

**Note 1:** Only on PIC16F18313/18323.

**TABLE 4-4: SPECIAL FUNCTION REGISTER SUMMARY BANKS 0-31 (CONTINUED)**

Address	Name	PIC16(L)F18313	PIC16(L)F18323	Bit 7	Bit 6	Bit 5	Bit 4	Bit 3	Bit 2	Bit 1	Bit 0	Value on: POR, BOR	Value on all other Resets
<b>Bank 4</b>													
<b>CPU CORE REGISTERS; see Table 4-2 for specifics</b>													
20Ch	WPUA			—	—	WPUA5	WPUA4	WPUA3	WPUA2	WPUA1	WPUA0	--00 0000	--00 0000
20Dh	—	—	—	Unimplemented								—	—
20Eh	WPUC	X	—	Unimplemented								—	—
		—	X	—	—	WPUC5	WPUC4	WPUC3	WPUC2	WPUC1	WPUC0	--00 0000	--00 0000
20Fh	—	—	—	Unimplemented								—	—
210h	—	—	—	Unimplemented								—	—
211h	SSP1BUF			SSP1BUF<7:0>								xxxx xxxx	uuuu uuuu
212h	SSP1ADD			SSP1ADD<7:0>								0000 0000	0000 0000
213h	SSP1MSK			SSP1MSK<7:0>								1111 1111	1111 1111
214h	SSP1STAT			SMP	CKE	D/Ā	P	S	R/W	UA	BF	0000 0000	0000 0000
215h	SSP1CON1			WCOL	SSPOV	SSPEN	CKP	SSPM<3:0>				0000 0000	0000 0000
216h	SSP1CON2			GCEN	ACKSTAT	ACKDT	ACKEN	RCEN	PEN	RSEN	SEN	0000 0000	0000 0000
217h	SSP1CON3			ACKTIM	PCIE	SCIE	BOEN	SDAHT	SBCDE	AHEN	DHEN	0000 0000	0000 0000
218h-21Fh	—	—	—	Unimplemented								—	—

**Legend:** x = unknown, u = unchanged, c = depends on condition, - = unimplemented, read as '0', r = reserved. Shaded locations unimplemented, read as '0'.

**Note 1:** Only on PIC16F18313/18323.

TABLE 4-4: SPECIAL FUNCTION REGISTER SUMMARY BANKS 0-31 (CONTINUED)

Address	Name	PIC16(L)F18313	PIC16(L)F18323	Bit 7	Bit 6	Bit 5	Bit 4	Bit 3	Bit 2	Bit 1	Bit 0	Value on: POR, BOR	Value on all other Resets	
<b>Bank 5</b>														
CPU CORE REGISTERS; see Table 4-2 for specifics														
28Ch	ODCONA			—	—	ODCA5	ODCA4	—	ODCA2	ODCA1	ODCA0	--00 -000	--00 -000	
28Dh	—	—	—	Unimplemented									—	—
28Eh	ODCONC	X	—	Unimplemented									—	—
		—	X	—	—	ODCC5	ODCC4	ODCC3	ODCC2	ODCC1	ODCC0	--00 0000	--00 0000	
28Fh	—	—	—	Unimplemented									—	—
290h	—	—	—	Unimplemented									—	—
291h	CCPR1L			CCPR1<7:0>							xxxx xxxx	xxxx xxxx		
292h	CCPR1H			CCPR1<15:8>							xxxx xxxx	xxxx xxxx		
293h	CCP1CON			CCP1EN	—	CCP1OUT	CCP1FMT	CCP1MODE<3:0>			0-x0 0000	0-x0 0000		
294h	CCP1CAP			—	—	—	—	CCP1CTS<2:0>			---- 0000	---- xxxxx		
295h	CCPR2L			CCPR2<7:0>							xxxx xxxx	xxxx xxxx		
296h	CCPR2H			CCPR2<15:8>							xxxx xxxx	xxxx xxxx		
297h	CCP2CON			CCP2EN	—	CCP2OUT	CCP2FMT	CCP2MODE<3:0>			0-x0 0000	0-x0 0000		
298h	CCP2CAP			—	—	—	—	CCP2CTS<2:0>			---- -000	---- -xxxx		
299h	—	—	—	Unimplemented									—	—
29Ah	—	—	—	Unimplemented									—	—
29Bh	—	—	—	Unimplemented									—	—
29Ch	—	—	—	Unimplemented									—	—
29Dh	—	—	—	Unimplemented									—	—
29Eh	—	—	—	Unimplemented									—	—
29Fh	—	—	—	Unimplemented									—	—
<b>Bank 6</b>														
30Ch	SLRCONA			—	—	SLRA5	SLRA4	—	SLRA2	SLRA1	SLRA0	--11 -111	--11 -111	
30Dh	—	—	—	Unimplemented									—	—
30Eh	SLRCONC	X	—	Unimplemented									—	—
		—	X	—	—	SLRC5	SLRC4	SLRC3	SLRC2	SLRC1	SLRC0	--11 1111	--11 1111	
30Fh-31Fh	—	—	—	Unimplemented									—	—

**Legend:** x = unknown, u = unchanged, c = depends on condition, - = unimplemented, read as '0', r = reserved. Shaded locations unimplemented, read as '0'.

**Note 1:** Only on PIC16F18313/18323.

**TABLE 4-4: SPECIAL FUNCTION REGISTER SUMMARY BANKS 0-31 (CONTINUED)**

Address	Name	PIC16(L)F18313	PIC16(L)F18323	Bit 7	Bit 6	Bit 5	Bit 4	Bit 3	Bit 2	Bit 1	Bit 0	Value on: POR, BOR	Value on all other Resets
<b>Bank 7</b>													
<b>CPU CORE REGISTERS; see Table 4-2 for specifics</b>													
38Ch	INLVLA			—	—	INLVLA5	INLVLA4	INLVLA3	INLVLA2	INLVLA1	INLVLA0	--11 1111	--11 1111
38Dh	—			Unimplemented								—	—
38Eh	INLVLC	X	—	Unimplemented								—	—
		—	X	—	—	INLVLC5	INLVLC4	INLVLC3	INLVLC2	INLVLC1	INLVLC0	--11 1111	--11 1111
38Fh	—			Unimplemented								—	—
390h	—			Unimplemented								—	—
391h	IOCAP			—	—	IOCAP5	IOCAP4	IOCAP3	IOCAP2	IOCAP1	IOCAP0	--00 0000	--00 0000
392h	IOCAN			—	—	IOCAN5	IOCAN4	IOCAN3	IOCAN2	IOCAN1	IOCAN0	--00 0000	--00 0000
393h	IOCAF			—	—	IOCAF5	IOCAF4	IOCAF3	IOCAF2	IOCAF1	IOCAF0	--00 0000	--00 0000
394h	—			Unimplemented								—	—
395h	—			Unimplemented								—	—
396h	—			Unimplemented								—	—
397h	IOCCP	X	—	Unimplemented								—	—
		—	X	—	—	IOCCP5	IOCCP4	IOCCP3	IOCCP2	IOCCP1	IOCCP0	--00 0000	--00 0000
398h	IOCCN	X	—	Unimplemented								—	—
		—	X	—	—	IOCCN5	IOCCN4	IOCCN3	IOCCN2	IOCCN1	IOCCN0	--00 0000	--00 0000
399h	IOCCF	X	—	Unimplemented								—	—
		—	X	—	—	IOCCF5	IOCCF4	IOCCF3	IOCCF2	IOCCF1	IOCCF0	--00 0000	--00 0000
39Ah	CLKRCON			CLKREN	—	—	CLKRDC<1:0>		CLKRDIV<2:0>			0--1 0000	0--1 0000
39Bh	—			Unimplemented								—	—
39Ch	MDCON			MDEN	—	—	MDOPOL	MDOUT	—	—	MDBIT	0--0 0--0	0--0 0--0
39Dh	MDSRC			—	—	—	MDMS<3:0>				---- xxxxx	---- uuuu	
39Eh	MDCARH			—	MDCHPOL	MDCHSYNC	—	MDCH<3:0>			-xx- xxxxx	-uu- uuuu	
39Fh	MDCARL			—	MDCLPOL	MDCLSYNC	—	MDCL<3:0>			-xx- xxxxx	-uu- uuuu	

**Legend:** x = unknown, u = unchanged, c = depends on condition, - = unimplemented, read as '0', r = reserved. Shaded locations unimplemented, read as '0'.

**Note 1:** Only on PIC16F18313/18323.



TABLE 4-4: SPECIAL FUNCTION REGISTER SUMMARY BANKS 0-31 (CONTINUED)

Address	Name	PIC16(L)/F18313	PIC16(L)/F18323	Bit 7	Bit 6	Bit 5	Bit 4	Bit 3	Bit 2	Bit 1	Bit 0	Value on: POR, BOR	Value on all other Resets
<b>Bank 8</b>													
CPU CORE REGISTERS; see Table 4-2 for specifics													
40Ch-41Fh	—	—		Unimplemented								—	—
<b>Bank 9</b>													
48Ch-497h	—	—		Unimplemented								—	—
498h	NCO1ACCL			NCO1ACC<7:0>								0000 0000	0000 0000
499h	NCO1ACCH			NCO1ACC<15:8>								0000 0000	0000 0000
49Ah	NCO1ACCU			—	—	—	—	NCO1ACC<19:16>				---- 0000	---- 0000
49Bh	NCO1INCL			NCO1INC<7:0>								0000 0001	0000 0001
49Ch	NCO1INCH			NCO1INC<15:8>								0000 0000	0000 0000
49Dh	NCO1INCU			—	—	—	—	NCO1INC<19:16>				---- 0000	---- 0000
49Eh	NCO1CON			N1EN	—	N1OUT	N1POL	—	—	—	N1PFM	0-00 ---0	0-00 ---0
49Fh	NCO1CLK			N1PWS<2:0>			—	—	—	N1CKS<1:0>		000- --00	000- --00

**Legend:** x = unknown, u = unchanged, c = depends on condition, - = unimplemented, read as '0', r = reserved. Shaded locations unimplemented, read as '0'.

**Note 1:** Only on PIC16F18313/18323.

**TABLE 4-4: SPECIAL FUNCTION REGISTER SUMMARY BANKS 0-31 (CONTINUED)**

Address	Name	PIC16(L)F18313	PIC16(L)F18323	Bit 7	Bit 6	Bit 5	Bit 4	Bit 3	Bit 2	Bit 1	Bit 0	Value on: POR, BOR	Value on all other Resets
<b>Bank 10-11</b>													
CPU CORE REGISTERS; see <a href="#">Table 4-2</a> for specifics													
50Ch-51Fh	—	—	—	Unimplemented							—	—	
58Ch-59Fh	—	—	—	Unimplemented							—	—	
<b>Bank 12</b>													
60Ch	—	—	—	Unimplemented							—	—	
60Dh	—	—	—	Unimplemented							—	—	
60Eh	—	—	—	Unimplemented							—	—	
60Fh	—	—	—	Unimplemented							—	—	
610h	—	—	—	Unimplemented							—	—	
611h	—	—	—	Unimplemented							—	—	
612h	—	—	—	Unimplemented							—	—	
613h	—	—	—	Unimplemented							—	—	
614h	—	—	—	Unimplemented							—	—	
615h	—	—	—	Unimplemented							—	—	
616h	—	—	—	Unimplemented							—	—	
617h	PWM5DCL			PWM5DC<1:0>		—	—	—	—	—	—	xx-- ----	uu-- ----
618h	PWM5DCH			PWM5DC<9:2>							xxxx xxxx	uuuu uuuu	
619h	PWM5CON			PWM5EN	—	PWM5OUT	PWM5POL	—	—	—	—	0-00 ----	0-00 ----
61Ah	PWM6DCL			PWM6DC<1:0>		—	—	—	—	—	—	xx-- ----	uu-- ----
61Bh	PWM6DCH			PWM6DC<9:2>							xxxx xxxx	uuuu uuuu	
61Ch	PWM6CON			PWM6EN	—	PWM6OUT	PWM6POL	—	—	—	—	0-00 ----	0-00 ----
61Dh-61Fh	—	—	—	Unimplemented							—	—	

**Legend:** x = unknown, u = unchanged, q = depends on condition, - = unimplemented, read as '0', x = reserved. Shaded locations unimplemented, read as '0'.

**Note 1:** Only on PIC16F18313/18323.

TABLE 4-4: SPECIAL FUNCTION REGISTER SUMMARY BANKS 0-31 (CONTINUED)

Address	Name	PIC16(L)F18313	PIC16(L)F18323	Bit 7	Bit 6	Bit 5	Bit 4	Bit 3	Bit 2	Bit 1	Bit 0	Value on: POR, BOR	Value on all other Resets
<b>Bank 13</b>													
CPU CORE REGISTERS; see Table 4-2 for specifics													
68Ch	—	—	—	—	—	—	—	—	—	—	—	—	—
68Dh	—	—	—	—	—	—	—	—	—	—	—	—	—
68Eh	—	—	—	—	—	—	—	—	—	—	—	—	—
68Fh	—	—	—	—	—	—	—	—	—	—	—	—	—
690h	—	—	—	—	—	—	—	—	—	—	—	—	—
691h	CWG1CLKCON	—	—	—	—	—	—	—	—	—	CS	---- --0	---- --0
692h	CWG1DAT	—	—	—	—	—	—	DAT<3:0>			---- 0000	---- 0000	
693h	CWG1DBR	—	—	—	—	—	—	DBR<5:0>			--00 0000	--00 0000	
694h	CWG1DBF	—	—	—	—	—	—	DBF<5:0>			--00 0000	--00 0000	
695h	CWG1CON0	—	—	EN	LD	—	—	—	MODE<2:0>			00-- -000	00-- -000
696h	CWG1CON1	—	—	—	—	IN	—	POLD	POLC	POLB	POLA	--x- 0000	--x- 0000
697h	CWG1AS0	—	—	SHUTDOWN	REN	LSBD<1:0>		LSAC<1:0>		—	—	0001 01--	0001 01--
698h	CWG1AS1	—	—	—	—	—	—	AS3E	AS2E <sup>(1)</sup>	AS1E	AS0E	---0 0000	---0 0000
699h	CWG1STR	—	—	OVRD	OVRC	OVRB	OVRTA	STRD	STRC	STRB	STRA	0000 0000	0000 0000
69Ah-69Fh	—	—	—	Unimplemented								—	—

**Legend:** x = unknown, u = unchanged, α = depends on condition, - = unimplemented, read as '0', r = reserved. Shaded locations unimplemented, read as '0'.

**Note 1:** Only on PIC16F18313/18323.

**TABLE 4-4: SPECIAL FUNCTION REGISTER SUMMARY BANKS 0-31 (CONTINUED)**

Address	Name	PIC16(L)F18313	PIC16(L)F18323	Bit 7	Bit 6	Bit 5	Bit 4	Bit 3	Bit 2	Bit 1	Bit 0	Value on: POR, BOR	Value on all other Resets
<b>Banks 14-16</b>													
CPU CORE REGISTERS; see Table 4-2 for specifics													
70Ch-71Fh	—	—	—	Unimplemented						—	—		
78Ch-79Fh	—	—	—	Unimplemented						—	—		
80Ch-81Fh	—	—	—	Unimplemented						—	—		
<b>Bank 17</b>													
88Ch	—	—	—	Unimplemented						—	—		
88Dh	—	—	—	Unimplemented						—	—		
88Eh	—	—	—	Unimplemented						—	—		
88Fh	—	—	—	Unimplemented						—	—		
890h	—	—	—	Unimplemented						—	—		
891h	NVMADRL	—	—	NVMADR<7:0>						0000 0000	0000 0000		
892h	NVMADRH	—	—	—	NVMADR<14:8>						1000 0000	1000 0000	
893h	NVMDATL	—	—	NVMDAT<7:0>						0000 0000	0000 0000		
894h	NVMDATH	—	—	—	NVMDAT<13:8>						--00 0000	--00 0000	
895h	NVMCON1	—	—	—	NVMREGS	LWLO	FREE	WRERR	WREN	WR	RD	-000 x000	-000 q000
896h	NVMCON2	—	—	NVMCON2<7:0>						0000 0000	0000 0000		
897h	—	—	—	Unimplemented						—	—		
898h	—	—	—	Unimplemented						—	—		
899h	—	—	—	Unimplemented						—	—		
89Ah	—	—	—	Unimplemented						—	—		
89Bh	PCON0	—	—	STKOVF	STKUNF	—	RWD $\bar{T}$	RMCLR	R $\bar{I}$	POR	BOR	00-1 110b	m $\bar{b}$ b b-b $\bar{b}$
89Ch-89Fh	—	—	—	Unimplemented						—	—		

**Legend:** x = unknown, u = unchanged, q = depends on condition, - = unimplemented, read as '0', r = reserved. Shaded locations unimplemented, read as '0'.

**Note 1:** Only on PIC16F18313/18323.

TABLE 4-4: SPECIAL FUNCTION REGISTER SUMMARY BANKS 0-31 (CONTINUED)

Address	Name	PIC16(L)F18313	PIC16(L)F18323	Bit 7	Bit 6	Bit 5	Bit 4	Bit 3	Bit 2	Bit 1	Bit 0	Value on: POR, BOR	Value on all other Resets
<b>Bank 18</b>													
CPU CORE REGISTERS; see Table 4-2 for specifics													
90Ch	—	—	—	Unimplemented								—	—
90Dh	—	—	—	Unimplemented								—	—
90Eh	—	—	—	Unimplemented								—	—
90Fh	—	—	—	Unimplemented								—	—
910h	—	—	—	Unimplemented								—	—
911h	PMD0			SYSCMD	FVRMD	—	—	—	NVMMD	CLKRMD	IOCMD	00-- -000	00-- -000
912h	PMD1			NCOMD	—	—	—	—	TMR2MD	TMR1MD	TMR0MD	0--- -000	0--- -000
913h	PMD2	X	—	—	DACMD	ADCMD	—	—	—	CMP1MD	—	-00- --0-	-00- --0-
		—	X	—	DACMD	ADCMD	—	—	CMP2MD	CMP1MD	—	-00- -00-	-00- -00-
914h	PMD3			—	CWG1MD	PWM6MD	PWM5MD	—	—	CCP2MD	CCP1MD	-000 --00	-000 --00
915h	PMD4			—	—	UART1MD	—	—	—	MSSP1MD	—	--0- --0-	--0- --0-
916h	PMD5			—	—	—	—	—	CLC2MD	CLC1MD	DSMMD	---- -000	---- -000
917h	—	—	—	Unimplemented								—	—
918h	CPUDOZE			IDLEN	DOZEN	ROI	DOE	—	DOZE<2:0>			000- -000	000- -000
919h	OSCCON1			NOSC<2:0>			NDIV<3:0>				-qq 0000	-qq 0000	
91Ah	OSCCON2			COSC<2:0>			CDIV<3:0>				-qq 0000	-qq 0000	
91Bh	OSCCON3			CSWHOLD	SOSCPWR	SOSCBE	ORDY	NOSCR	—	—	—	0000 0---	0000 0---
91Ch	OSCSTAT1			EXTOR	HFOR	—	LFOR	SOR	ADOR	—	PLLR	qq- q -qq -q	qq- q -qq -q
91Dh	OSCEN			EXTOEN	HFOEN	—	LFOEN	SOSCEN	ADOEN	—	—	00-0 00--	00-0 00--
91Eh	OSCTUNE			—	—	HFTUN<5:0>						--10 0000	--10 0000
91Fh	OSCFRQ			—	—	—	—	HFFRQ<3:0>				---- 0110	---- 0110

**Legend:** x = unknown, u = unchanged, q = depends on condition, - = unimplemented, read as '0', r = reserved. Shaded locations unimplemented, read as '0'.

**Note 1:** Only on PIC16F18313/18323.

**TABLE 4-4: SPECIAL FUNCTION REGISTER SUMMARY BANKS 0-31 (CONTINUED)**

Address	Name	PIC16(L)F18313	PIC16(L)F18323	Bit 7	Bit 6	Bit 5	Bit 4	Bit 3	Bit 2	Bit 1	Bit 0	Value on: POR, BOR	Value on all other Resets
<b>Banks 19-27</b>													
<b>CPU CORE REGISTERS; see Table 4-2 for specifics</b>													
98Ch-9EFh	—	—	—					Unimplemented				—	—
A0Ch-A6Fh	—	—	—					Unimplemented				—	—
A8Ch-AEFh	—	—	—					Unimplemented				—	—
B0Ch-B6Fh	—	—	—					Unimplemented				—	—
B8Ch-BEFh	—	—	—					Unimplemented				—	—
C0Ch-C1Fh	—	—	—					Unimplemented				—	—
C8Ch-CEFh	—	—	—					Unimplemented				—	—
D0Ch-D6Fh	—	—	—					Unimplemented				—	—
D8Ch-D6Fh	—	—	—					Unimplemented				—	—

**Legend:** x = unknown, u = unchanged, c = depends on condition, - = unimplemented, read as '0', r = reserved. Shaded locations unimplemented, read as '0'.

**Note 1:** Only on PIC16F18313/18323.

TABLE 4-4: SPECIAL FUNCTION REGISTER SUMMARY BANKS 0-31 (CONTINUED)

Address	Name	PIC16(L)F18313	PIC16(L)F18323	Bit 7	Bit 6	Bit 5	Bit 4	Bit 3	Bit 2	Bit 1	Bit 0	Value on: POR, BOR	Value on all other Resets
<b>Banks 28</b>													
CPU CORE REGISTERS; see Table 4-2 for specifics													
E0Ch	—	—	—	—	—	—	—	—	—	—	—	—	—
E0Dh	—	—	—	—	—	—	—	—	—	—	—	—	—
E0Eh	—	—	—	—	—	—	—	—	—	—	—	—	—
E0Fh	PPSLOCK	—	—	—	—	—	—	—	—	—	PPSLOCKED	---- -0	---- -0
E10h	INTPPS	—	—	—	—	—	—	—	INTPPS<4:0>		---	0010	---- uuuu
E11h	T0CKIPPS	—	—	—	—	—	—	—	T0CKIPPS<4:0>		---	0010	---- uuuu
E12h	T1CKIPPS	—	—	—	—	—	—	—	T1CKIPPS<4:0>		---	0101	---- uuuu
E13h	T1GPPS	—	—	—	—	—	—	—	T1GPPS<4:0>		---	0100	---- uuuu
E14h	CCP1PPS	X	—	—	—	—	—	—	CCP1PPS<4:0>		---	0101	---- uuuu
		—	X	—	—	—	—	—	CCP1PPS<4:0>		---	1010	---- uuuu
E15h	CCP2PPS	X	—	—	—	—	—	—	CCP2PPS<4:0>		---	0101	---- uuuu
		—	X	—	—	—	—	—	CCP2PPS<4:0>		---	1011	---- uuuu
E16h	—	—	—	—	—	—	—	—	Unimplemented		—	—	
E17h	—	—	—	—	—	—	—	—	Unimplemented		—	—	
E18h	CWG1PPS	—	—	—	—	—	—	—	CWG1PPS<4:0>		---	0010	---- uuuu
E19h	—	—	—	—	—	—	—	—	Unimplemented		—	—	
E1Ah	MDCIN1PPS	X	—	—	—	—	—	—	MDCIN1PPS<4:0>		---	0000	---- uuuu
		—	X	—	—	—	—	—	MDCIN1PPS<4:0>		---	1010	---- uuuu
E1Bh	MDCIN2PPS	X	—	—	—	—	—	—	MDCIN2PPS<4:0>		---	0101	---- uuuu
		—	X	—	—	—	—	—	MDCIN2PPS<4:0>		---	1010	---- uuuu
E1Ch	MDMINPPS	X	—	—	—	—	—	—	MDMINPPS<4:0>		---	0001	---- uuuu
		—	X	—	—	—	—	—	MDMINPPS<4:0>		---	1011	---- uuuu
E1Dh	—	—	—	—	—	—	—	—	Unimplemented		—	—	
E1Eh	—	—	—	—	—	—	—	—	Unimplemented		—	—	
E1Fh	—	—	—	—	—	—	—	—	Unimplemented		—	—	
E20h	SSP1CLKPPS	X	—	—	—	—	—	—	SSP1CLKPPS<4:0>		---	0001	---- uuuu
		—	X	—	—	—	—	—	SSP1CLKPPS<4:0>		---	0000	---- uuuu

**Legend:** x = unknown, u = unchanged, q = depends on condition, - = unimplemented, read as '0', z = reserved. Shaded locations unimplemented, read as '0'.

**Note 1:** Only on PIC16F18313/18323.

**TABLE 4-4: SPECIAL FUNCTION REGISTER SUMMARY BANKS 0-31 (CONTINUED)**

Address	Name	PIC16(L)F18313	PIC16(L)F18323	Bit 7	Bit 6	Bit 5	Bit 4	Bit 3	Bit 2	Bit 1	Bit 0	Value on: POR, BOR	Value on all other Resets
E21h	SSP1DATPPS	X	—	—	—	—	—	—	SSP1DATPPS<4:0>			---0 0010	---u uuuu
		—	X	—	—	—	—	—	SSP1DATPPS<4:0>			---1 0001	---u uuuu
E22h	SSP1SSPPS	X	—	—	—	—	—	—	SSP1SSPPS<4:0>			---0 0011	---u uuuu
		—	X	—	—	—	—	—	SSP1SSPPS<4:0>			---1 0011	---u uuuu
E23h	—	—	—	Unimplemented							—	—	
E24h	RXPPS	X	—	—	—	—	—	—	RXPPS<4:0>			---0 0001	---u uuuu
		—	X	—	—	—	—	—	RXPPS<4:0>			---0 0101	---u uuuu
E25h	TXPPS	X	—	—	—	—	—	—	TXPPS<4:0>			---0 0000	---u uuuu
		—	X	—	—	—	—	—	TXPPS<4:0>			---1 0100	---u uuuu
E26h	—	—	—	Unimplemented							—	—	
E27h	—	—	—	Unimplemented							—	—	
E28h	CLCIN0PPS	X	—	—	—	—	—	—	CLCIN0PPS<4:0>			---0 0011	---u uuuu
		—	X	—	—	—	—	—	CLCIN0PPS<4:0>			---1 0011	---u uuuu
E29h	CLCIN1PPS	X	—	—	—	—	—	—	CLCIN1PPS<4:0>			---0 0101	---u uuuu
		—	X	—	—	—	—	—	CLCIN1PPS<4:0>			---1 0100	---u uuuu
E2Ah-E6Fh	—	—	—	Unimplemented							—	—	

**Legend:** x = unknown, u = unchanged, c = depends on condition, - = unimplemented, read as '0', r = reserved. Shaded locations unimplemented, read as '0'.

**Note 1:** Only on PIC16F18313/18323.



**TABLE 4-4: SPECIAL FUNCTION REGISTER SUMMARY BANKS 0-31 (CONTINUED)**

Address	Name	PIC16(L)F18313	PIC16(L)F18323	Bit 7	Bit 6	Bit 5	Bit 4	Bit 3	Bit 2	Bit 1	Bit 0	Value on: POR, BOR	Value on all other Resets
<b>Bank 29</b>													
<b>CPU CORE REGISTERS; see Table 4-2 for specifics</b>													
E8Ch-E8Fh	—	—	—	Unimplemented								—	—
E90h	RA0PPS			—	—	—						---0 0000	---u uuuu
E91h	RA1PPS			—	—	—						---0 0000	---u uuuu
E92h	RA2PPS			—	—	—						---0 0000	---u uuuu
E93h	—	—	—	Unimplemented								—	—
E94h	RA4PPS			—	—	—						---0 0000	---u uuuu
E95h	RA5PPS			—	—	—						---0 0000	---u uuuu
E96h-E9Fh	—	—	—	Unimplemented								---0 0000	---u uuuu
EA0h	RC0PPS			—	—	—						---0 0000	---u uuuu
EA1h	RC1PPS			—	—	—						---0 0000	---u uuuu
EA2h	RC2PPS			—	—	—						---0 0000	---u uuuu
EA3h	RC3PPS			—	—	—						---0 0000	---u uuuu
EA4h	RC4PPS			—	—	—						---0 0000	---u uuuu
EA5h	RC5PPS			—	—	—						---0 0000	---u uuuu
E97h	—	—	—	Unimplemented								---0 0000	---u uuuu

**Legend:** x = unknown, u = unchanged, c = depends on condition, - = unimplemented, read as '0', r = reserved. Shaded locations unimplemented, read as '0'.

**Note 1:** Only on PIC16F18313/18323.

**TABLE 4-4: SPECIAL FUNCTION REGISTER SUMMARY BANKS 0-31 (CONTINUED)**

Address	Name	PIC16(L)F18313	PIC16(L)F18323	Bit 7	Bit 6	Bit 5	Bit 4	Bit 3	Bit 2	Bit 1	Bit 0	Value on: POR, BOR	Value on all other Resets
<b>Bank 30</b>													
<b>CPU CORE REGISTERS; see Table 4-2 for specifics</b>													
F0Ch	—	—	—	Unimplemented								—	—
F0Dh	—	—	—	Unimplemented								—	—
F0Eh	—	—	—	Unimplemented								—	—
F0Fh	CLCDATA	—	—	—	—	—	—	—	—	MLC2OUT	MLC1OUT	---- --00	---- --00
F10h	CLC1CON	—	—	LC1EN	—	LC1OUT	LC1INPT	LC1INTN	LC1MODE<2:0>			0-00 0000	0-00 0000
F11h	CLC1POL	—	—	LC1POL	—	—	—	LC1G4POL	LC1G3POL	LC1G2POL	LC1G1POL	0--- xxxx	0--- uuuu
F12h	CLC1SEL0	—	—	—	—	—	—	—	LC1D1S<4:0>			---x xxxx	---u uuuu
F13h	CLC1SEL1	—	—	—	—	—	—	—	LC1D2S<4:0>			---x xxxx	---u uuuu
F14h	CLC1SEL2	—	—	—	—	—	—	—	LC1D3S<4:0>			---x xxxx	---u uuuu
F15h	CLC1SEL3	—	—	—	—	—	—	—	LC1D4S<4:0>			---x xxxx	---u uuuu
F16h	CLC1GLS0	—	—	LC1G1D4T	LC1G1D4N	LC1G1D3T	LC1G1D3N	LC1G1D2T	LC1G1D2N	LC1G1D1T	LC1G1D1N	xxxx xxxx	uuuu uuuu
F17h	CLC1GLS1	—	—	LC1G2D4T	LC1G2D4N	LC1G2D3T	LC1G2D3N	LC1G2D2T	LC1G2D2N	LC1G2D1T	LC1G2D1N	xxxx xxxx	uuuu uuuu
F18h	CLC1GLS2	—	—	LC1G3D4T	LC1G3D4N	LC1G3D3T	LC1G3D3N	LC1G3D2T	LC1G3D2N	LC1G3D1T	LC1G3D1N	xxxx xxxx	uuuu uuuu
F19h	CLC1GLS3	—	—	LC1G4D4T	LC1G4D4N	LC1G4D3T	LC1G4D3N	LC1G4D2T	LC1G4D2N	LC1G4D1T	LC1G4D1N	xxxx xxxx	uuuu uuuu
F1Ah	CLC2CON	—	—	LC2EN	—	LC2OUT	LC2INPT	LC2INTN	LC2MODE<2:0>			0-00 0000	0-00 0000
F1Bh	CLC2POL	—	—	LC2POL	—	—	—	LC2G4POL	LC2G3POL	LC2G2POL	LC2G1POL	0--- xxxx	0--- uuuu
F1Ch	CLC2SEL0	—	—	—	—	—	—	—	LC2D1S<4:0>			---x xxxx	---u uuuu
F1Dh	CLC2SEL1	—	—	—	—	—	—	—	LC2D2S<4:0>			---x xxxx	---u uuuu
F1Eh	CLC2SEL2	—	—	—	—	—	—	—	LC2D3S<4:0>			---x xxxx	---u uuuu
F1Fh	CLC2SEL3	—	—	—	—	—	—	—	LC2D4S<4:0>			---x xxxx	---u uuuu
F20h	CLC2GLS0	—	—	LC2G1D4T	LC2G1D4N	LC2G1D3T	LC2G1D3N	LC2G1D2T	LC2G1D2N	LC2G1D1T	LC2G1D1N	xxxx xxxx	uuuu uuuu
F21h	CLC2GLS1	—	—	LC2G2D4T	LC2G2D4N	LC2G2D3T	LC2G2D3N	LC2G2D2T	LC2G2D2N	LC2G2D1T	LC2G2D1N	xxxx xxxx	uuuu uuuu
F22h	CLC2GLS2	—	—	LC2G3D4T	LC2G3D4N	LC2G3D3T	LC2G3D3N	LC2G3D2T	LC2G3D2N	LC2G3D1T	LC2G3D1N	xxxx xxxx	uuuu uuuu
F23h	CLC2GLS3	—	—	LC2G4D4T	LC2G4D4N	LC2G4D3T	LC2G4D3N	LC2G4D2T	LC2G4D2N	LC2G4D1T	LC2G4D1N	xxxx xxxx	uuuu uuuu

**Legend:** x = unknown, u = unchanged, c = depends on condition, - = unimplemented, read as '0', r = reserved. Shaded locations unimplemented, read as '0'.

**Note 1:** Only on PIC16F18313/18323.

TABLE 4-4: SPECIAL FUNCTION REGISTER SUMMARY BANKS 0-31 (CONTINUED)

Address	Name	PIC16(L)F18313	PIC16(L)F18323	Bit 7	Bit 6	Bit 5	Bit 4	Bit 3	Bit 2	Bit 1	Bit 0	Value on: POR, BOR	Value on all other Resets
<b>Bank 31 — only accessible from Debug Executive, unless otherwise specified</b>													
<b>CPU CORE REGISTERS; see Table 4-2 for specifics</b>													
F8Ch-FE3h	—	—		Unimplemented								—	—
FE4h <sup>(2)</sup>	STATUS_SHAD			—	—	—	—	—	Z	DC	C	---- -xxx	---- -uuu
FE5h <sup>(2)</sup>	WREG_SHAD			Working Register Normal (Non-ICD) Shadow								xxxx xxxx	uuuu uuuu
FE6h <sup>(2)</sup>	BSR_SHAD			—	—	—	Bank Select Register Normal (Non-ICD) Shadow					--x -xxx	---- -uuu
FE7h <sup>(2)</sup>	PCLATH_SHAD			—	Program Counter Latch High Register Normal (Non-ICD) Shadow							-xxx xxxx	-uuu uuuu
FE8h <sup>(2)</sup>	FSR0L_SHAD			Indirect Data Memory Address 0 Low Pointer Normal (Non-ICD) Shadow								xxxx xxxx	uuuu uuuu
FE9h <sup>(2)</sup>	FSR0H_SHAD			Indirect Data Memory Address 0 High Pointer Normal (Non-ICD) Shadow								xxxx xxxx	uuuu uuuu
FEAh <sup>(2)</sup>	FSR1L_SHAD			Indirect Data Memory Address 1 Low Pointer Normal (Non-ICD) Shadow								xxxx xxxx	uuuu uuuu
FEBh <sup>(2)</sup>	FSR1H_SHAD			Indirect Data Memory Address 1 High Pointer Normal (Non-ICD) Shadow								xxxx xxxx	uuuu uuuu
FECh	—	—		Unimplemented								—	—
FEDh <sup>(2)</sup>	STKPTR			—	—	—	Current Stack Pointer					--x xxxx	--1 1111
FEEh <sup>(2)</sup>	TOSL			Top of Stack Low Byte								xxxx xxxx	xxxx xxxx
FEFh <sup>(2)</sup>	TOSH			—	Top of Stack Low Byte							xxxx xxxx	xxxx xxxx

**Legend:** x = unknown, u = unchanged, c = depends on condition, - = unimplemented, read as '0', r = reserved. Shaded locations unimplemented, read as '0'.

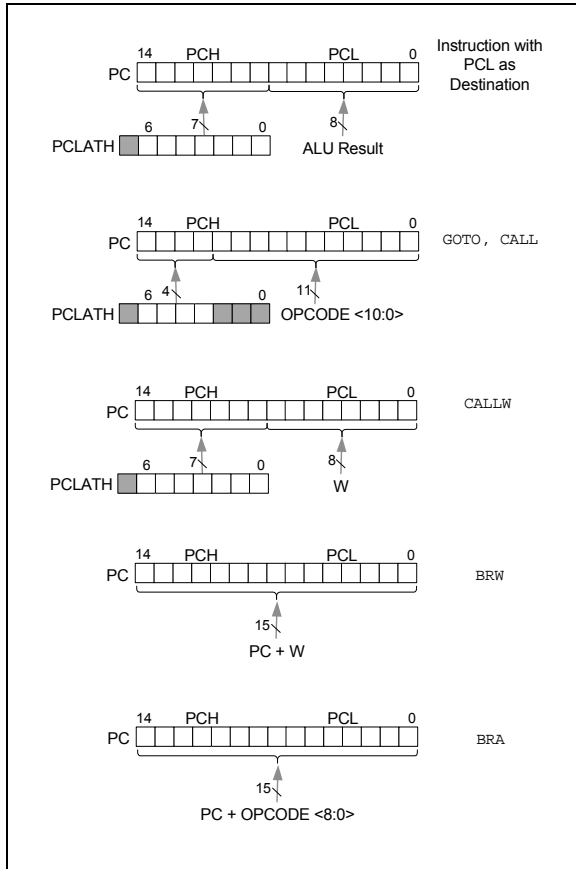
**Note 1:** Only on PIC16F18313/18323.

# PIC16(L)F18313/18323

## 4.3 PCL and PCLATH

The Program Counter (PC) is 15-bits wide. The low byte comes from the PCL register, which is a readable and writable register. The high byte (PC<14:8>) is not directly readable or writable and comes from PCLATH. On any Reset, the PC is cleared. Figure 4-3 shows the five situations for the loading of the PC.

**FIGURE 4-3: LOADING OF PC IN DIFFERENT SITUATIONS**



### 4.3.1 MODIFYING PCL

Executing any instruction with the PCL register as the destination simultaneously causes the Program Counter PC<14:8> bits (PCH) to be replaced by the contents of the PCLATH register. This allows the entire contents of the program counter to be changed by writing the desired upper seven bits to the PCLATH register. When the lower eight bits are written to the PCL register, all 15 bits of the program counter will change to the values contained in the PCLATH register and those being written to the PCL register.

### 4.3.2 COMPUTED GOTO

A computed GOTO is accomplished by adding an offset to the program counter (ADDWF PCL). When performing a table read using a computed GOTO method, care should be exercised if the table location crosses a PCL memory boundary (each 256-byte block). Refer to Application Note AN556, "Implementing a Table Read" (DS00556).

### 4.3.3 COMPUTED FUNCTION CALLS

A computed function CALL allows programs to maintain tables of functions and provide another way to execute state machines or look-up tables. When performing a table read using a computed function CALL, care should be exercised if the table location crosses a PCL memory boundary (each 256-byte block).

If using the CALL instruction, the PCH<2:0> and PCL registers are loaded with the operand of the CALL instruction. PCH<6:3> is loaded with PCLATH<6:3>.

The CALLW instruction enables computed calls by combining PCLATH and W to form the destination address. A computed CALLW is accomplished by loading the W register with the desired address and executing CALLW. The PCL register is loaded with the value of W and PCH is loaded with PCLATH.

### 4.3.4 BRANCHING

The branching instructions add an offset to the PC. This allows relocatable code and code that crosses page boundaries. There are two forms of branching, BRW and BRA. The PC will have incremented to fetch the next instruction in both cases. When using either branching instruction, a PCL memory boundary may be crossed.

If using BRW, load the W register with the desired unsigned address and execute BRW. The entire PC will be loaded with the address PC + 1 + W.

If using BRA, the signed 9-bit literal value ('k') of the operand of the BRA instruction is added to the PC. Since the PC will have incremented to fetch the next instruction, the new address will be PC + 1 + k.

## 4.4 Stack

All devices have a 16-level x 15-bit wide hardware stack (refer to [Figure 4-4](#) through [Figure 4-7](#)). The stack space is not part of either program or data space. The PC is PUSHed onto the stack when `CALL` or `CALLW` instructions are executed or an interrupt causes a branch. The stack is POPed in the event of a `RETURN`, `RETLW` or a `RETFIE` instruction execution. `PCLATH` is not affected by a `PUSH` or `POP` operation.

The stack operates as a circular buffer and does not cause a Reset when either a Stack Overflow or Underflow occur if the `STVREN` bit is programmed to '0' (Configuration Words). This means that after the stack has been PUSHed sixteen times, the seventeenth PUSH overwrites the value that was stored from the first PUSH. The eighteenth PUSH overwrites the second PUSH (and so on). The `STKOVF` and `STKUNF` flag bits will be set on an Overflow/Underflow, regardless of whether the Reset is enabled.

If the `STVREN` bit in Configuration Words is programmed to '1', the device will be Reset if the stack is PUSHed beyond the sixteenth level or POPed beyond the first level, setting the appropriate bits (`STKOVF` or `STKUNF`, respectively) in the `PCON` register.

**Note 1:** There are no instructions/mnemonics called `PUSH` or `POP`. These are actions that occur from the execution of the `CALL`, `CALLW`, `RETURN`, `RETLW` and `RETFIE` instructions or the vectoring to an interrupt address.

### 4.4.1 ACCESSING THE STACK

The stack is accessible through the `TOSH`, `TOSL` and `STKPTR` registers. `STKPTR` is the current value of the Stack Pointer. `TOSH:TOSL` register pair points to the TOP of the stack. Both registers are read/writable. `TOS` is split into `TOSH` and `TOSL` due to the 15-bit size of the PC. To access the stack, adjust the value of `STKPTR`, which will position `TOSH:TOSL`, then read/write to `TOSH:TOSL`. `STKPTR` is five bits to allow detection of overflow and underflow.

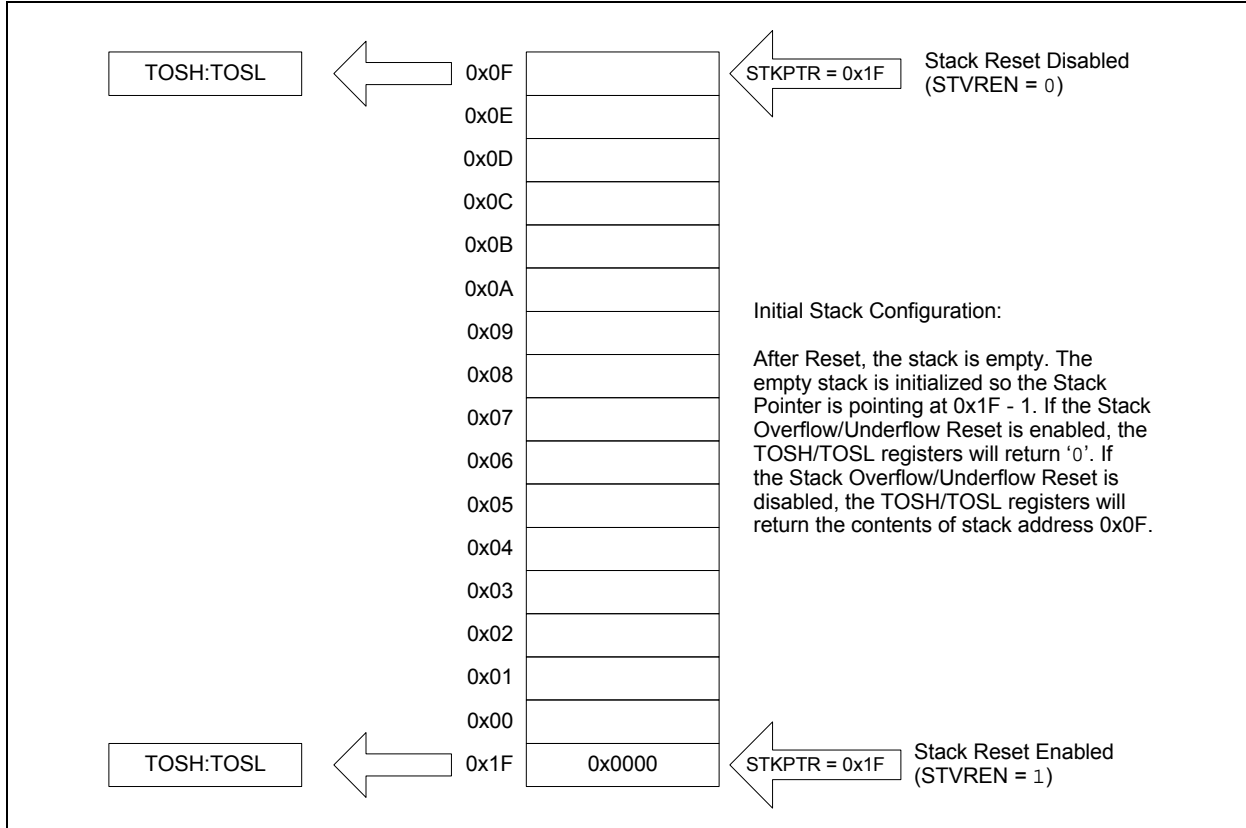
**Note:** Care should be taken when modifying the `STKPTR` while interrupts are enabled.

During normal program operation, `CALL`, `CALLW` and Interrupts will increment `STKPTR` while `RETLW`, `RETURN`, and `RETFIE` will decrement `STKPTR`. At any time, `STKPTR` can be read to see how many levels remain available on the stack. The `STKPTR` always points at the currently used place on the stack. Therefore, a `CALL` or `CALLW` will increment the `STKPTR` and then write the PC, and a return will write the PC and then decrement the `STKPTR`.

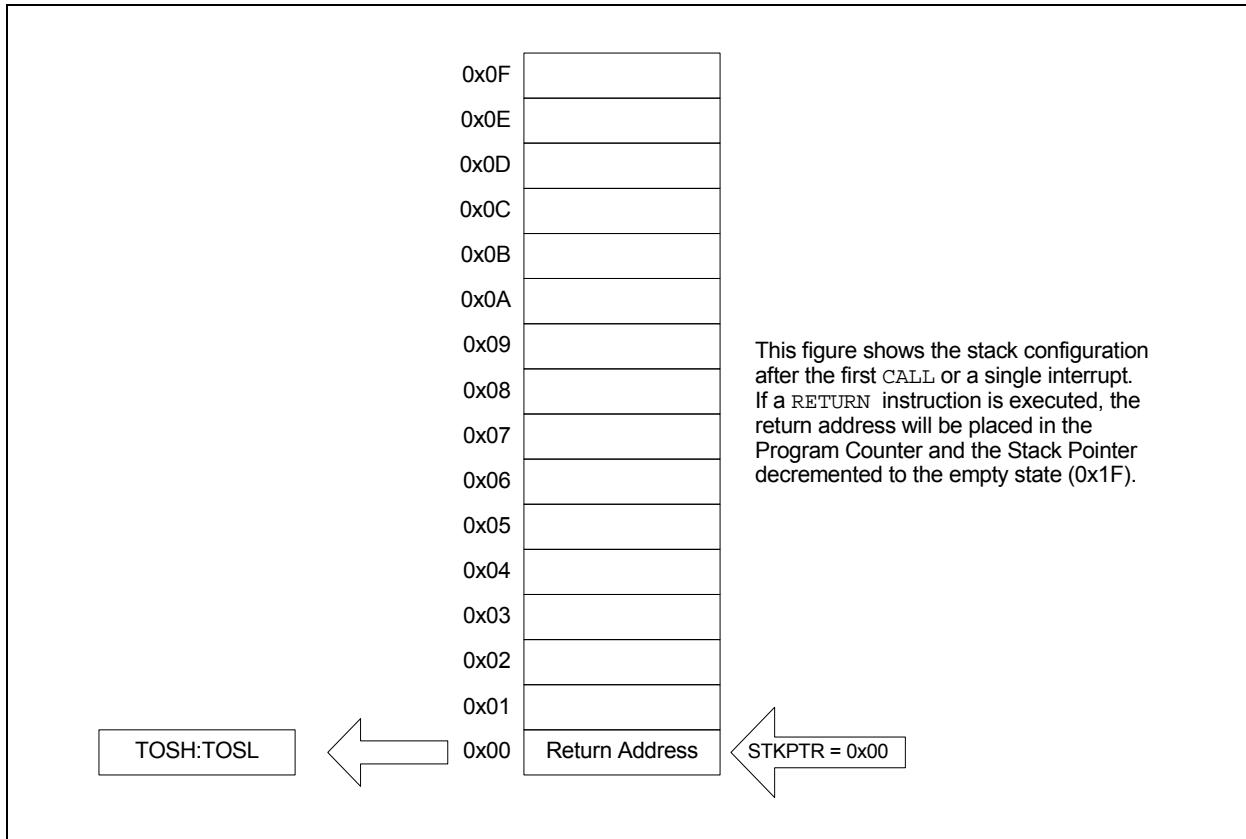
Reference [Figure 4-4](#) through [Figure 4-7](#) for examples of accessing the stack.

# PIC16(L)F18313/18323

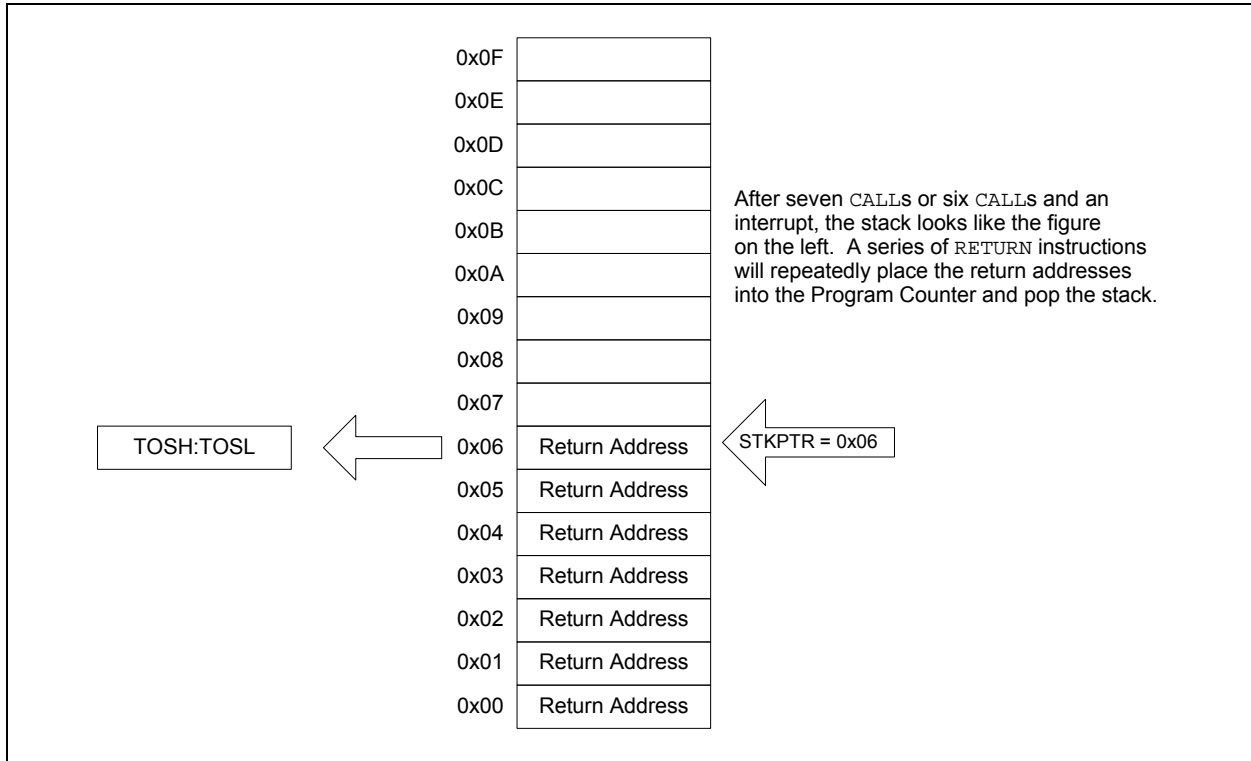
**FIGURE 4-4: ACCESSING THE STACK EXAMPLE 1**



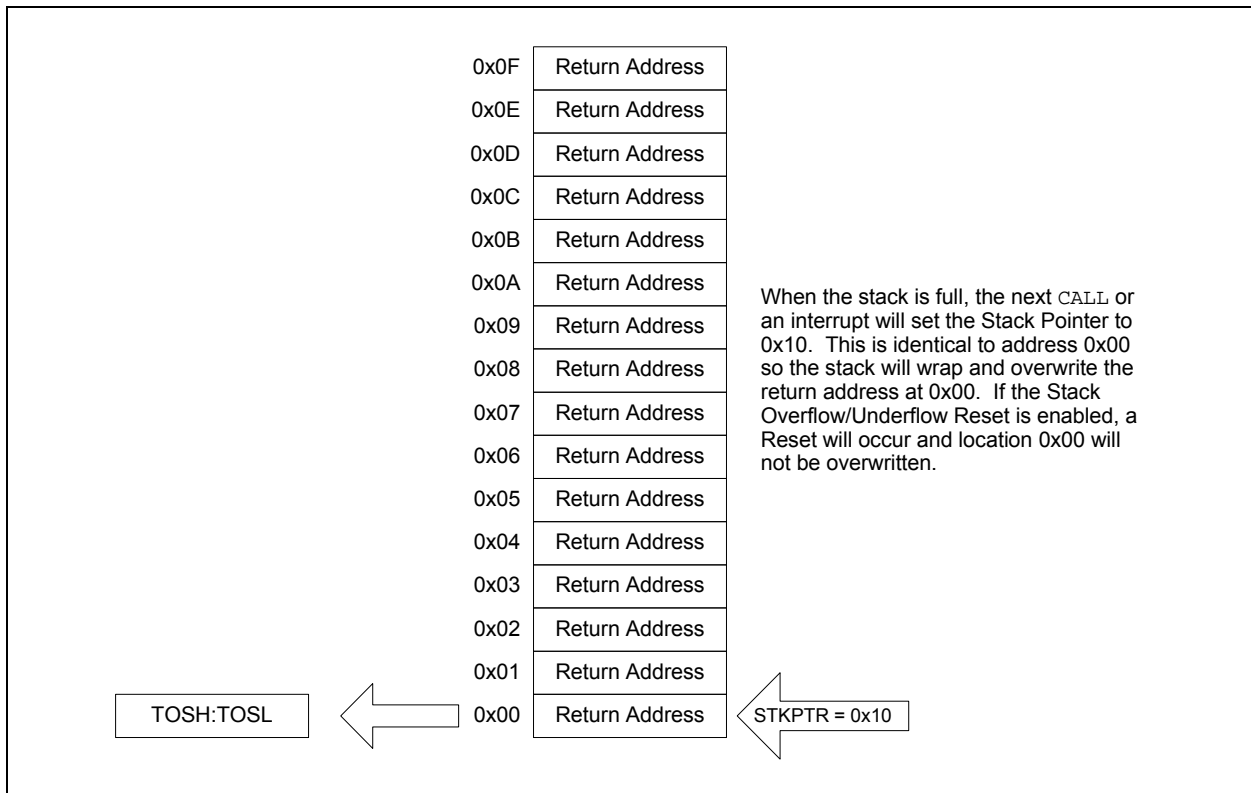
**FIGURE 4-5: ACCESSING THE STACK EXAMPLE 2**



**FIGURE 4-6: ACCESSING THE STACK EXAMPLE 3**



**FIGURE 4-7: ACCESSING THE STACK EXAMPLE 4**



# PIC16(L)F18313/18323

## 4.5 Indirect Addressing

The INDFn registers are not physical registers. Any instruction that accesses an INDFn register actually accesses the register at the address specified by the File Select Registers (FSR). If the FSRn address specifies one of the two INDFn registers, the read will return '0' and the write will not occur (though Status bits may be affected). The FSRn register value is created by the pair FSRnH and FSRnL.

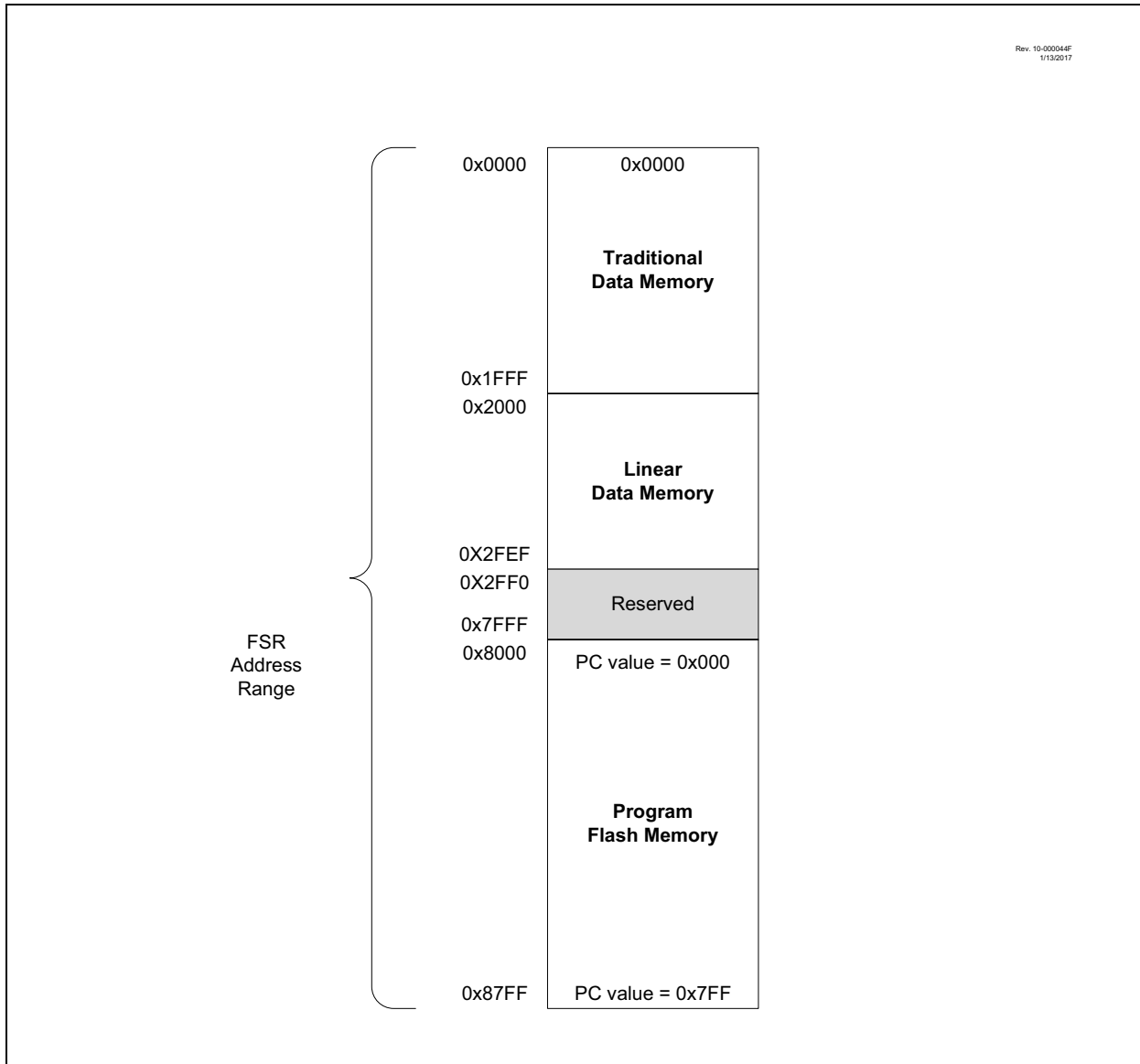
The FSR registers form a 16-bit address that allows an addressing space with 65536 locations. These locations are divided into four memory regions:

- Traditional/Banked Data Memory
- Linear Data Memory
- Program Flash Memory
- EEPROM

### 4.5.1 TRADITIONAL/BANKED DATA MEMORY

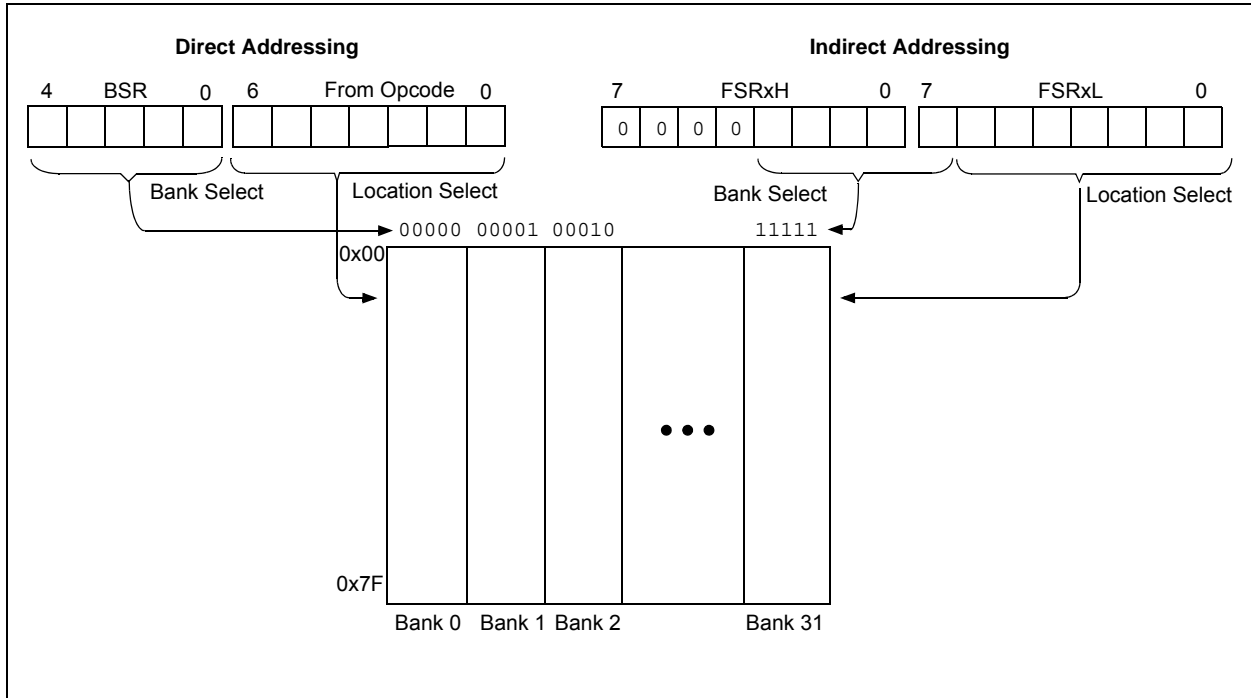
The banked data memory is a region from FSR address 0x000 to FSR address 0xFFFF. The addresses correspond to the absolute addresses of all SFR, GPR and common registers.

**FIGURE 4-8: INDIRECT ADDRESSING**





**FIGURE 4-9: TRADITIONAL/BANKED DATA MEMORY MAP**



# PIC16(L)F18313/18323

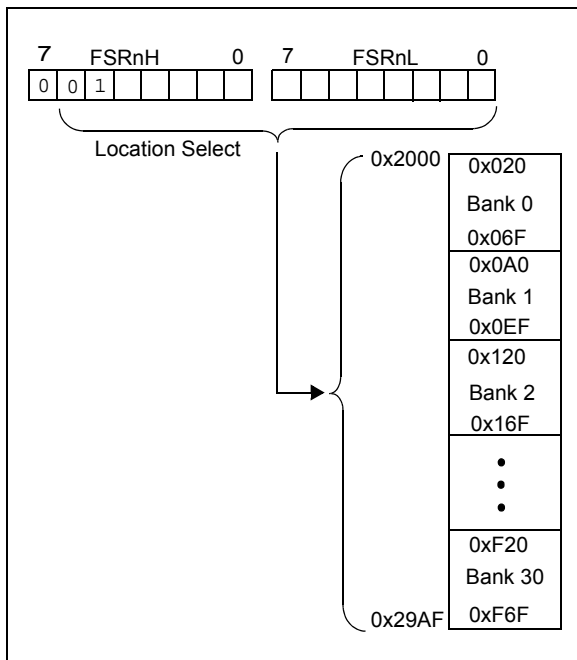
## 4.5.2 LINEAR DATA MEMORY

The linear data memory is the region from FSR address 0x2000 to FSR address 0x29AF. This region is a virtual region that points back to the 80-byte blocks of GPR memory in all the banks.

Unimplemented memory reads as 0x00. Use of the linear data memory region allows buffers to be larger than 80 bytes because incrementing the FSR beyond one bank will go directly to the GPR memory of the next bank.

The 16 bytes of common memory are not included in the linear data memory region.

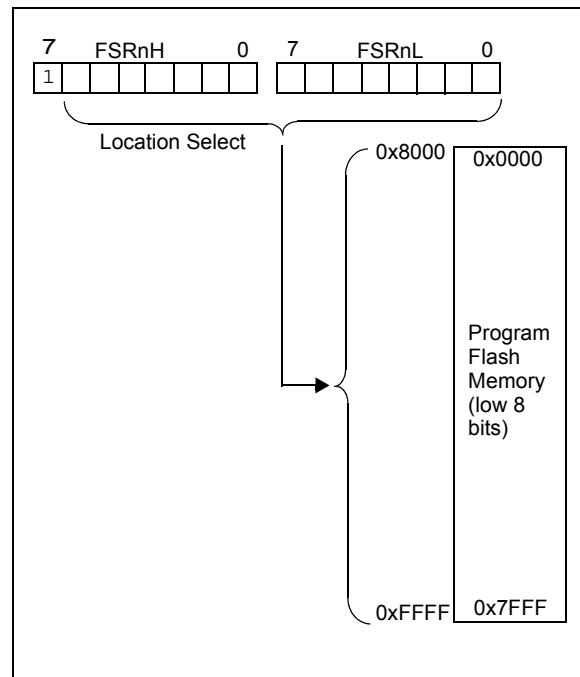
**FIGURE 4-10: LINEAR DATA MEMORY MAP**



## 4.5.3 PROGRAM FLASH MEMORY

To make constant data access easier, the entire program Flash memory is mapped to the upper half of the FSR address space. When the MSB of FSRnH is set, the lower 15 bits are the address in program memory which will be accessed through INDF. Only the lower eight bits of each memory location is accessible via INDF. Writing to the program Flash memory cannot be accomplished via the FSR/INDF interface. All instructions that access program Flash memory via the FSR/INDF interface will require one additional instruction cycle to complete.

**FIGURE 4-11: PROGRAM FLASH MEMORY MAP**



## 4.5.4 DATA EEPROM MEMORY

The EEPROM memory can be read or written through the NVMCON register interface (see [Section 11.2 "Data EEPROM"](#)). However, to make access to the EEPROM easier, read-only access to the EEPROM contents are also available through indirect addressing via an FSR. When the MSB of the FSR (ex: FSRxH) is set to 0x70, the lower 8-bit address value (in FSRxL) determines the EEPROM location that may be read (via the INDF register).

In other words, the EEPROM address range 0x00-0xFF is mapped into the FSR address space between 0x7000 and 0x70FF. Writing to the EEPROM cannot be accomplished via the FSR/INDF interface. Reads from the EEPROM through the FSR/INDF interface will require one additional instruction cycle to complete.

## 5.0 DEVICE CONFIGURATION

Device configuration consists of Configuration Words, Code Protection and Device ID.

### 5.1 Configuration Words

There are several Configuration Word bits that allow different oscillator and memory protection options. These are implemented as Configuration Word 1 at 8007h, Configuration Word 2 at 8008h, Configuration Word 3 at 8009h, and Configuration Word 4 at 800Ah.

**Note:** The  $\overline{\text{DEBUG}}$  bit in Configuration Words is managed automatically by device development tools including debuggers and programmers. For normal device operation, this bit should be maintained as a '1'.

# PIC16(L)F18313/18323

## 5.2 Register Definitions: Configuration Words

### REGISTER 5-1: CONFIGURATION WORD 1: OSCILLATORS

R/P-1	U-1	R/P-1	U-1	U-1	R/P-1
FCMEN	—	CSWEN	—	—	CLKOUTEN
bit 13					bit 8

U-1	R/P-1	R/P-1	R/P-1	U-1	R/P-1	R/P-1	R/P-1
—	RSTOSC2	RSTOSC1	RSTOSC0	—	FEXTOSC2	FEXTOSC1	FEXTOSC0
bit 7							bit 0

#### Legend:

R = Readable bit      P = Programmable bit      U = Unimplemented bit, read as '1'  
 '0' = Bit is cleared      '1' = Bit is set      n = Value when blank

- bit 13      **FCMEN:** Fail-Safe Clock Monitor Enable bit  
 1 = ON    FSCM timer enabled  
 0 = OFF   FSCM timer disabled
- bit 12      **Unimplemented:** Read as '1'
- bit 11      **CSWEN:** Clock Switch Enable bit  
 1 = ON    Writing to NOSC and NDIV is allowed  
 0 = OFF   The NOSC and NDIV bits cannot be changed by user software
- bit 10-9    **Unimplemented:** Read as '1'
- bit 8      **CLKOUTEN:** Clock Out Enable bit  
If FEXTOSC = EC, HS, HT or LP, then this bit is ignored; otherwise:  
 1 = OFF   CLKOUT function is disabled; I/O or oscillator function on OSC2  
 0 = ON    CLKOUT function is enabled; Fosc/4 clock appears at OSC2
- bit 7      **Unimplemented:** Read as '1'
- bit 6-4    **RSTOSC<2:0>:** Power-up Default Value for COSC bits  
 This value is the Reset default value for COSC, and selects the oscillator first used by user software  
 111 = EXT1X    EXTOSC operating per FEXTOSC<2:0> bits  
 110 = HFINT1   HFINTOSC (1 MHz)  
 101 = Reserved  
 100 = LFINT    LFINTOSC  
 011 = SOSC    SOSC (32.768 kHz)  
 010 = Reserved  
 001 = EXT4X    EXTOSC with 4x PLL; EXTOSC operating per FEXTOSC<2:0> bits  
 000 = HFINT32   HFINTOSC (32 MHz)
- bit 3      **Unimplemented:** Read as '1'
- bit 2-0    **FEXTOSC<2:0>:** FEXTOSC External Oscillator Mode Selection bits  
 111 = ECH    EC (External Clock) above 8 MHz  
 110 = ECM    EC (External Clock) for 500 kHz to 8 MHz  
 101 = ECL    EC (External Clock) below 500 kHz  
 100 = OFF    Oscillator not enabled  
 011 = Unimplemented  
 010 = HS    HS (Crystal oscillator) above 4 MHz  
 001 = XT    HT (Crystal oscillator) above 100 kHz, below 4 MHz  
 000 = LP    LP (Crystal oscillator) optimized for 32.768 kHz

# PIC16(L)F18313/18323

## REGISTER 5-2: CONFIGURATION WORD 2: SUPERVISORS

R/P-1	R/P-1	R/P-1	U-1	R/P-1	U-1
DEBUG	STVREN	PPS1WAY	—	BORV	—
bit 13					bit 8

R/P-1	R/P-1	R/P-1	U-1	R/P-1	R/P-1	R/P-1	R/P-1
BOREN1	BOREN0	LPBOREN <sup>(3)</sup>	—	WDTE1	WDTE0	PWRTE	MCLRE
bit 7							bit 0

### Legend:

R = Readable bit                      P = Programmable bit                      U = Unimplemented bit, read as '1'  
 '0' = Bit is cleared                      '1' = Bit is set                                  n = Value when blank

- bit 13            **DEBUG:** Debugger Enable bit<sup>(1)</sup>  
 1 = OFF      Background debugger disabled; ICSPCLK and ICSPDAT are general purpose I/O pins  
 0 = ON       Background debugger enabled; ICSPCLK and ICSPDAT are dedicated to the debugger
- bit 12            **STVREN:** Stack Overflow/Underflow Reset Enable bit  
 1 = ON       Stack Overflow or Underflow will cause a Reset  
 0 = OFF       Stack Overflow or Underflow will not cause a Reset
- bit 11            **PPS1WAY:** PPSLOCK One-Way Set Enable bit  
 1 = ON       The PPSLOCK bit can be cleared and set only once; PPS registers remain locked after one clear/set cycle  
 0 = OFF       The PPSLOCK bit can be set and cleared repeatedly (subject to the unlock sequence)
- bit 10            **Unimplemented:** Read as '1'
- bit 9             **BORV:** Brown-out Reset Voltage Selection bit<sup>(2)</sup>  
 1 = LOW      Brown-out Reset voltage (**VBOR**) set to 1.9V on LF, and 2.45V on F devices  
 0 = HIGH      Brown-out Reset voltage (**VBOR**) set to 2.7V  
 The higher voltage setting is recommended for operation at or above 16 MHz.
- bit 8             **Unimplemented:** Read as '1'
- bit 7-6           **BOREN<1:0>:** Brown-out Reset Enable bits  
 When enabled, Brown-out Reset Voltage (**VBOR**) is set by the BORV bit  
 11 = ON       Brown-out Reset is enabled; SBOREN bit is ignored  
 10 = SLEEP    Brown-out Reset is enabled while running, disabled in Sleep; SBOREN bit is ignored  
 01 = SBOREN   Brown-out Reset is enabled according to SBOREN  
 00 = OFF       Brown-out Reset is disabled
- bit 5             **LPBOREN:** Low-Power BOR Enable bit<sup>(3)</sup>  
 1 = OFF       ULPBOR is disabled  
 0 = ON        ULPBOR is enabled
- bit 4             **Unimplemented:** Read as '1'
- bit 3-2           **WDTE<1:0>:** Watchdog Timer Enable bit  
 11 = ON       WDT is enabled; SWDTEN is ignored  
 10 = SLEEP    WDT is enabled while running and disabled in Sleep/Idle; SWDTEN is ignored  
 01 = SWDTEN   WDT is controlled by the SWDTEN bit in the WDTCN register  
 00 = OFF       WDT is disabled; SWDTEN is ignored
- bit 1             **PWRTE:** Power-up Timer Enable bit  
 1 = OFF       PWRT is disabled  
 0 = ON        PWRT is enabled
- bit 0             **MCLRE:** Master Clear (**MCLR**) Enable bit  
 If **LVP = 1:**  
 RA3 pin function is **MCLR**.  
 If **LVP = 0:**  
 1 = ON        **MCLR** pin is **MCLR**.  
 0 = OFF       **MCLR** pin function is port-defined function.

- Note 1:** The DEBUG bit in Configuration Words is managed automatically by device development tools including debuggers and programmers. For normal device operation, this bit should be maintained as a '1'.  
**2:** See **VBOR** parameter for specific trip point voltages.  
**3:** PIC16LF18313/18323 devices only.

# PIC16(L)F18313/18323

## REGISTER 5-3: CONFIGURATION WORD 3: MEMORY

R/P-1	U-1	U-1	U-1	U-1	U-1
LVP <sup>(1)</sup>	—	—	—	—	—
bit 13					bit 8

U-1	U-1	U-1	U-1	U-1	U-1	R/P-1	R/P-1
—	—	—	—	—	—	WRT1	WRT0
bit 7						bit 0	

### Legend:

R = Readable bit  
'0' = Bit is cleared

P = Programmable bit  
'1' = Bit is set

U = Unimplemented bit, read as '1'  
n = Value when blank or after Bulk Erase

- bit 13      **LVP:** Low-Voltage Programming Enable bit<sup>(1)</sup>  
 1 = ON      Low-Voltage Programming is enabled.  $\overline{\text{MCLR}}/\text{VPP}$  pin function is  $\overline{\text{MCLR}}$ . MCLRE Configuration bit is ignored.  
 0 = OFF      HV on  $\overline{\text{MCLR}}/\text{VPP}$  must be used for programming.
- bit 12-2    **Unimplemented:** Read as '1'
- bit 1-0     **WRT<1:0>:** User NVM Self-Write Protection bits  
 11 = OFF    Write protection off  
 10 = BOOT   0000h to 01FFh write-protected, 0200h to 07FFh may be modified  
 01 = HALF   0000h to 03FFh write-protected, 0400h to 07FFh may be modified  
 00 = ALL    0000h to 07FFh write-protected, no addresses may be modified  
 WRT applies only to the self-write feature of the device; writing through ICSP™ is never protected.

**Note 1:** The LVP bit cannot be programmed to '0' when Programming mode is entered via LVP.

# PIC16(L)F18313/18323

## REGISTER 5-4: CONFIGURATION WORD 4: CODE PROTECTION

U-1	U-1	U-1	U-1	U-1	U-1
—	—	—	—	—	—
bit 13					bit 8

U-1	U-1	U-1	U-1	U-1	U-1	R/P-1	R/P-1
—	—	—	—	—	—	$\overline{\text{CPD}}$	$\overline{\text{CP}}$
bit 7						bit 0	

### Legend:

R = Readable bit  
'0' = Bit is cleared

P = Programmable bit  
'1' = Bit is set

U = Unimplemented bit, read as '1'  
n = Value when blank or after Bulk Erase

bit 13-2     **Unimplemented:** Read as '1'

bit 1     **CPD:** Data EEPROM Memory Code Protection bit  
           1 = OFF Data EEPROM code protection disabled  
           0 = ON Data EEPROM code protection enabled

bit 0     **CP:** Program Memory Code Protection bit  
           1 = OFF Program Memory code protection disabled  
           0 = ON Program Memory code protection enabled

# PIC16(L)F18313/18323

---

## 5.3 Code Protection

Code protection allows the device to be protected from unauthorized access. Program memory protection and data memory are controlled independently. Internal access to the program memory is unaffected by any code protection setting.

### 5.3.1 PROGRAM MEMORY PROTECTION

The entire program memory space is protected from external reads and writes by the  $\overline{CP}$  bit in Configuration Words. When  $\overline{CP} = 0$ , external reads and writes of program memory are inhibited and a read will return all '0's. The CPU can continue to read program memory, regardless of the protection bit settings. Self-write writing the program memory is dependent upon the write protection setting. See [Section 5.4 "Write Protection"](#) for more information.

### 5.3.2 DATA MEMORY PROTECTION

The entire data EEPROM is protected from external reads and writes by the  $\overline{CPD}$  bit in the Configuration Words. When  $\overline{CPD} = 0$ , external reads and writes of EEPROM memory are inhibited and a read will return all '0's. The CPU can continue to read and write EEPROM memory, regardless of the protection bit settings.

## 5.4 Write Protection

Write protection allows the device to be protected from unintended self-writes. Applications, such as boot loader software, can be protected while allowing other regions of the program memory to be modified.

The  $WRT<1:0>$  bits in Configuration Words define the size of the program memory block that is protected.

## 5.5 User ID

Four memory locations (8000h-8003h) are designated as ID locations where the user can store checksum or other code identification numbers. These locations are readable and writable during normal execution. See [Section 11.4.7 "NVMREG EEPROM, User ID, Device ID and Configuration Word Access"](#) for more information on accessing these memory locations. For more information on checksum calculation, see the "*PIC16(L)F183XX Memory Programming Specification*" (DS40001738).

## 5.6 Device ID and Revision ID

The 14-bit device ID word is located at 8006h and the 14-bit revision ID is located at 8005h. These locations are read-only and cannot be erased or modified. See [Section 11.4.7 "NVMREG EEPROM, User ID, Device ID and Configuration Word Access"](#) for more information on accessing these memory locations.

Development tools, such as device programmers and debuggers, may be used to read the Device ID and Revision ID.



# PIC16(L)F18313/18323

## 5.7 Register Definitions: Device and Revision

### REGISTER 5-5: DEVID: DEVICE ID REGISTER

R	R	R	R	R	R	R	R
DEV<13:8>							
bit 13				bit 8			

R	R	R	R	R	R	R	R
DEV<7:0>							
bit 7				bit 0			

#### Legend:

R = Readable bit

'1' = Bit is set

'0' = Bit is cleared

bit 13-0 **DEV<13:0>**: Device ID bits

Device	DEV<13:0> Values
PIC16F18313	11 0000 0011 0100 (3034h)
PIC16LF18313	11 0000 0011 0110 (3036h)
PIC16F18323	11 0000 0011 0101 (3035h)
PIC16LF18323	11 0000 0011 0111 (3037h)

### REGISTER 5-6: REVID: REVISION ID REGISTER

R-1	R-0	R	R	R	R	R	R
REV<13:8>							
bit 13				bit 8			

R	R	R	R	R	R	R	R
REV<7:0>							
bit 7				bit 0			

#### Legend:

R = Readable bit

'1' = Bit is set

'0' = Bit is cleared

bit 13-0 **REV<13:0>**: Revision ID bits

**Note:** The upper two bits of the Revision ID Register will always read '10'.

# PIC16(L)F18313/18323

## 6.0 RESETS

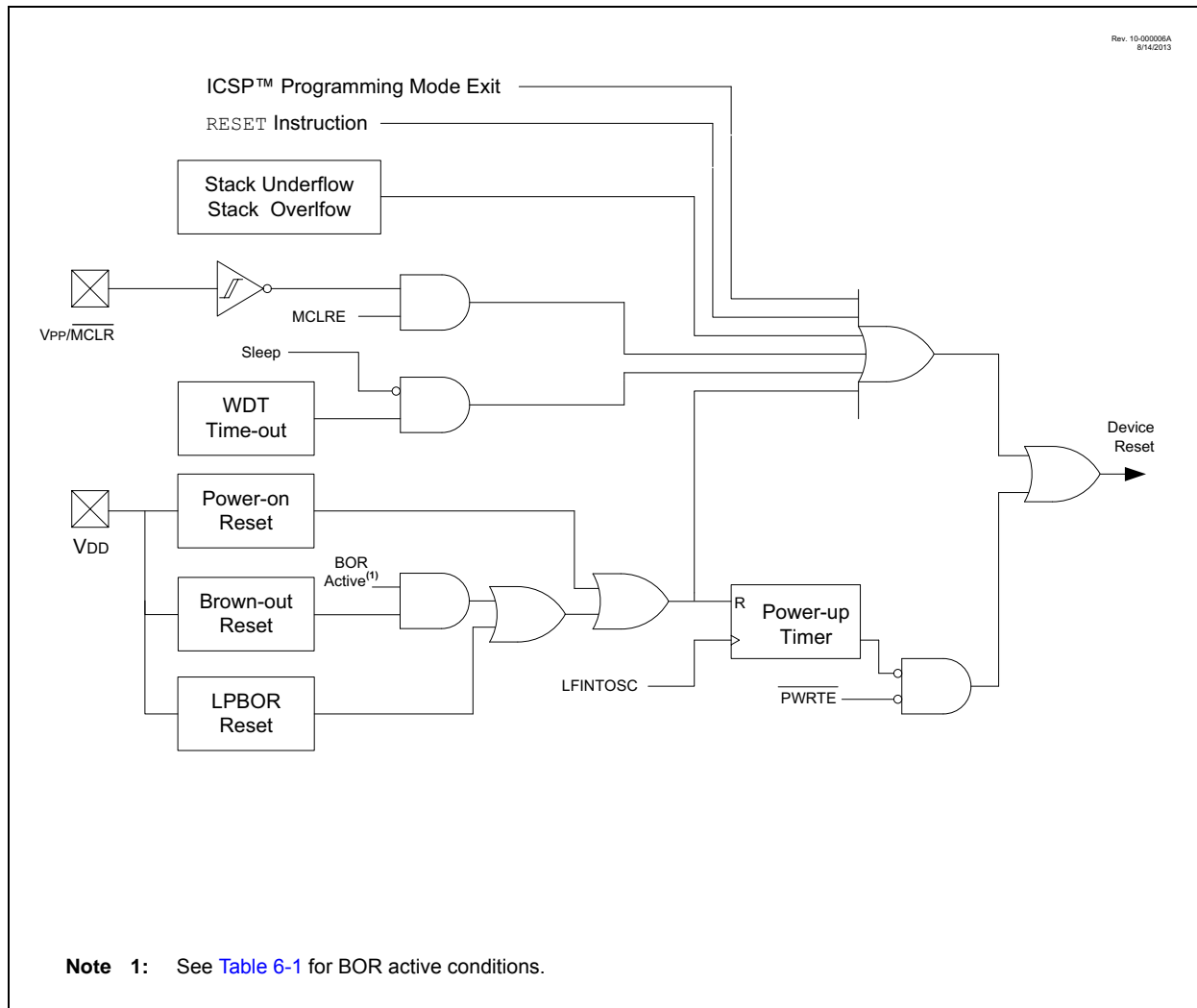
There are multiple ways to reset this device:

- Power-On Reset (POR)
- Brown-Out Reset (BOR)
- Low-Power Brown-Out Reset (LPBOR)
- MCLR Reset
- WDT Reset
- RESET instruction
- Stack Overflow
- Stack Underflow
- Programming mode exit

To allow VDD to stabilize, an optional Power-up Timer can be enabled to extend the Reset time after a BOR or POR event.

A simplified block diagram of the on-chip Reset circuit is shown in [Figure 6-1](#).

**FIGURE 6-1: SIMPLIFIED BLOCK DIAGRAM OF ON-CHIP RESET CIRCUIT**



## 6.1 Power-on Reset (POR)

The POR circuit holds the device in Reset until VDD has reached an acceptable level for minimum operation. Slow rising VDD, fast operating speeds or analog performance may require greater than minimum VDD. The PWRT, BOR or MCLR features can be used to extend the start-up period until all device operation conditions have been met.

## 6.2 Brown-out Reset (BOR)

The BOR circuit holds the device in Reset while VDD is below a selectable minimum level. Between the POR and BOR, complete voltage range coverage for execution protection can be implemented.

The Brown-out Reset module has four operating modes controlled by the BOREN<1:0> bits in Configuration Words. The four operating modes are:

- BOR is always on
- BOR is off when in Sleep
- BOR is controlled by software
- BOR is always off

Refer to [Table 6-1](#) for more information.

The Brown-out Reset voltage level is selectable by configuring the BORV bit in Configuration Words.

A VDD noise rejection filter prevents the BOR from triggering on small events. If VDD falls below VBOR for a duration greater than parameter TBORDC, the device will reset, and the BOR bit of the PCON0 register will be cleared, indicating that a Brown-out Reset condition occurred. See [Figure 6-2](#) for more information.

**TABLE 6-1: BOR OPERATING MODES**

BOREN<1:0>	SBOREN	Device Mode	BOR Mode	Instruction Execution upon: Release of POR or Wake-up from Sleep
11	X	X	Active	In these specific cases, "Release of POR" and "Wake-up from Sleep", there is no delay in start-up. The BOR ready flag, (BORRDY = 1), will be set before the CPU is ready to execute instructions because the BOR circuit is forced on by the BOREN<1:0> bits.
10	X	Awake	Active	Waits for release of BOR (BORRDY = 1)
		Sleep	Disabled	BOR ignored when asleep
01	1	X	Active	In these specific cases, "Release of POR" and "Wake-up from Sleep", there is no delay in start-up. The BOR ready flag, (BORRDY = 1), will be set before the CPU is ready to execute instructions because the BOR circuit is forced on by the BOREN<1:0> bits.
	0	X	Disabled	Begins immediately (BORRDY = x)
00	X	X	Disabled	

# PIC16(L)F18313/18323

## 6.2.1 BOR IS ALWAYS ON

When the BOREN bits of Configuration Words are programmed to '11', the BOR is always on. The device start-up will be delayed until the BOR is ready and VDD is higher than the BOR threshold.

BOR protection is active during Sleep. The BOR does not delay wake-up from Sleep.

## 6.2.2 BOR IS OFF IN SLEEP

When the BOREN bits of Configuration Words are programmed to '10', the BOR is on, except in Sleep. The device start-up will be delayed until the BOR is ready and VDD is higher than the BOR threshold.

BOR protection is not active during Sleep, but device wake-up will be delayed until the BOR can determine that VDD is higher than the BOR threshold. The device wake-up will be delayed until the BOR is ready.

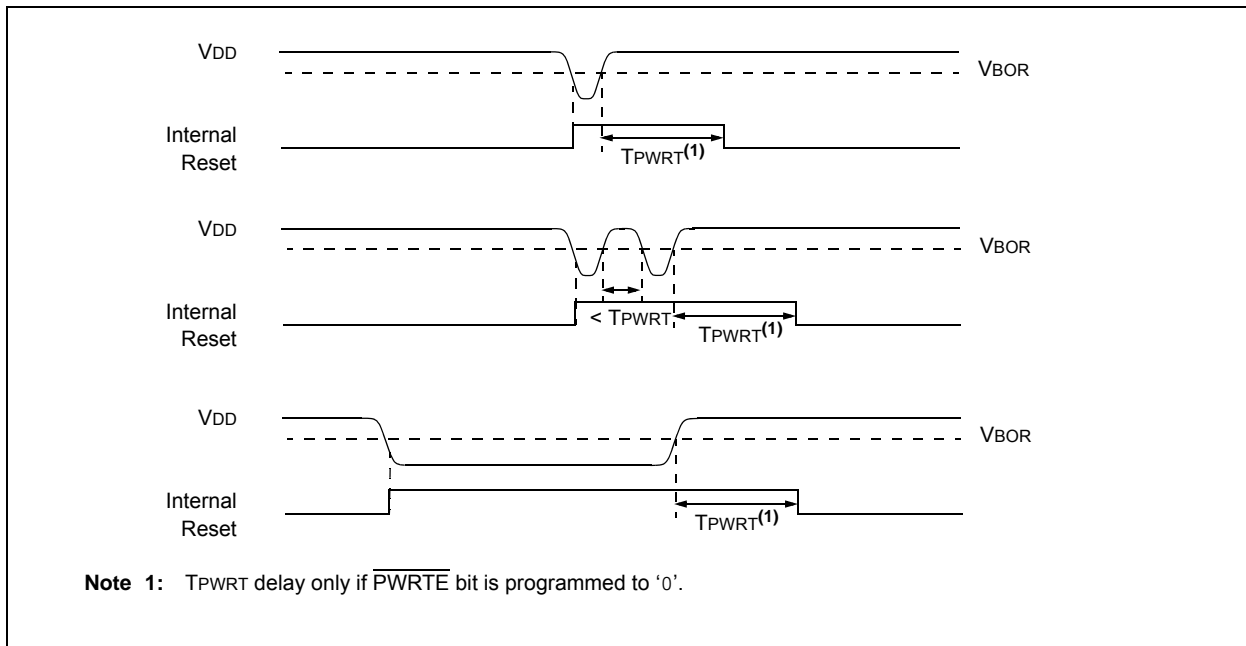
## 6.2.3 BOR CONTROLLED BY SOFTWARE

When the BOREN bits of Configuration Words are programmed to '01', the BOR is controlled by the SBOREN bit of the BORCON register. The device wake from Sleep is not delayed by the BOR Ready condition or the VDD level only when the SBOREN bit is cleared in software and the device is starting up from a non POR/BOR Reset event.

BOR protection begins as soon as the BOR circuit is ready. The status of the BOR circuit is reflected in the BORRDY bit of the BORCON register.

BOR protection is unchanged by Sleep.

**FIGURE 6-2: BROWN-OUT SITUATIONS**



## 6.2.4 BOR ALWAYS OFF

When the BOREN bits of Configuration Word 2 are programmed to '00', the BOR is always disable. In the configuration, setting the SWBOREN bit will have no affect on BOR operation.

## 6.3 Low-Power Brown-out Reset (LPBOR)(PIC16LF18313/18323 Devices Only)

The Low-Power Brown-Out Reset (LPBOR) circuit provides alternative protection against Brown-out conditions for the PIC16LF18313/18323 devices only. When VDD falls below the LPBOR threshold, the device is held in Reset. When this occurs, the BOR bit of the PCON0 register is cleared to indicate that a Brown-out Reset occurred. The BOR bit will be cleared when either the BOR or the LPBOR circuitry detects a BOR condition. The LPBOR feature can be used with or without BOR enabled.

When used while BOR is enabled, the LPBOR can be used as a secondary protection circuit in case the BOR circuit fails to detect the BOR condition. Additionally, when BOR is enabled except while in Sleep (BOREN<1:0> = 10), the LPBOR circuit will hold the device in Reset while VDD is lower than the LPBOR threshold, and will also re-arm the POR. (See [Table 35-11](#) for LPBOR Reset voltage levels).

When used without BOR enabled, the LPBOR circuit provides a single Reset trip point with the benefit of reduced current consumption.

### 6.3.1 ENABLING LPBOR

The LPBOR is controlled by the  $\overline{\text{LPBOR}}$  bit of Configuration Words. When the device is erased, the LPBOR module defaults to disabled.

#### 6.3.1.1 LPBOR Module Output

The output of the LPBOR module is a signal indicating whether or not a Reset is to be asserted. This signal is OR'd together with the Reset signal of the BOR module to provide the generic  $\overline{\text{BOR}}$  signal, which goes to the PCON0 register and to the power control block.

## 6.4 $\overline{\text{MCLR}}$

The  $\overline{\text{MCLR}}$  is an optional external input that can reset the device. The MCLR function is controlled by the MCLRE bit of Configuration Words and the LVP bit of Configuration Words ([Table 6-2](#)).

**TABLE 6-2:  $\overline{\text{MCLR}}$  CONFIGURATION**

MCLRE	LVP	$\overline{\text{MCLR}}$
0	0	Disabled
1	0	Enabled
x	1	Enabled

### 6.4.1 $\overline{\text{MCLR}}$ ENABLED

When  $\overline{\text{MCLR}}$  is enabled and the pin is held low, the device is held in Reset. The  $\overline{\text{MCLR}}$  pin is connected to VDD through an internal weak pull-up.

The device has a noise filter in the  $\overline{\text{MCLR}}$  Reset path. The filter will detect and ignore small pulses.

**Note:** A Reset does not drive the  $\overline{\text{MCLR}}$  pin low.

### 6.4.2 $\overline{\text{MCLR}}$ DISABLED

When  $\overline{\text{MCLR}}$  is disabled, the pin functions as a general purpose input and the internal weak pull-up is under software control. See [Section 12.2 “PORTA Registers”](#) for more information.

## 6.5 Watchdog Timer (WDT) Reset

The Watchdog Timer generates a Reset if the firmware does not issue a  $\overline{\text{CLRWDT}}$  instruction within the time-out period. The  $\overline{\text{TO}}$  and  $\overline{\text{PD}}$  bits in the STATUS register as well as the  $\overline{\text{RWDT}}$  bit in the PCON0 register, are changed to indicate the WDT Reset. See [Section 10.0 “Watchdog Timer \(WDT\)”](#) for more information.

## 6.6 RESET Instruction

A RESET instruction will cause a device Reset. The  $\overline{\text{RI}}$  bit in the PCON0 register will be set to '0'. See [Table 6-4](#) for default conditions after a RESET instruction has occurred.

## 6.7 Stack Overflow/Underflow Reset

The device can reset when the Stack Overflows or Underflows. The STKOVF or STKUNF bits of the PCON0 register indicate the Reset condition. These Resets are enabled by setting the STVREN bit in Configuration Words. See [Section 4.4 “Stack”](#) for more information.

## 6.8 Programming Mode Exit

Upon exit of Programming mode, the device will behave as if a device Reset had just occurred.

## 6.9 Power-up Timer

The Power-up Timer provides a nominal 64 ms time-out on POR or Brown-out Reset.

The device is held in Reset as long as PWRT is active. The PWRT delay allows additional time for the VDD to rise to an acceptable level. The Power-up Timer is enabled by clearing the PWRTE bit in Configuration Words.

The Power-up Timer starts after the release of the POR and BOR.

For additional information, refer to Application Note AN607, “Power-up Trouble Shooting” (DS00607).

# PIC16(L)F18313/18323

## 6.10 Start-up Sequence

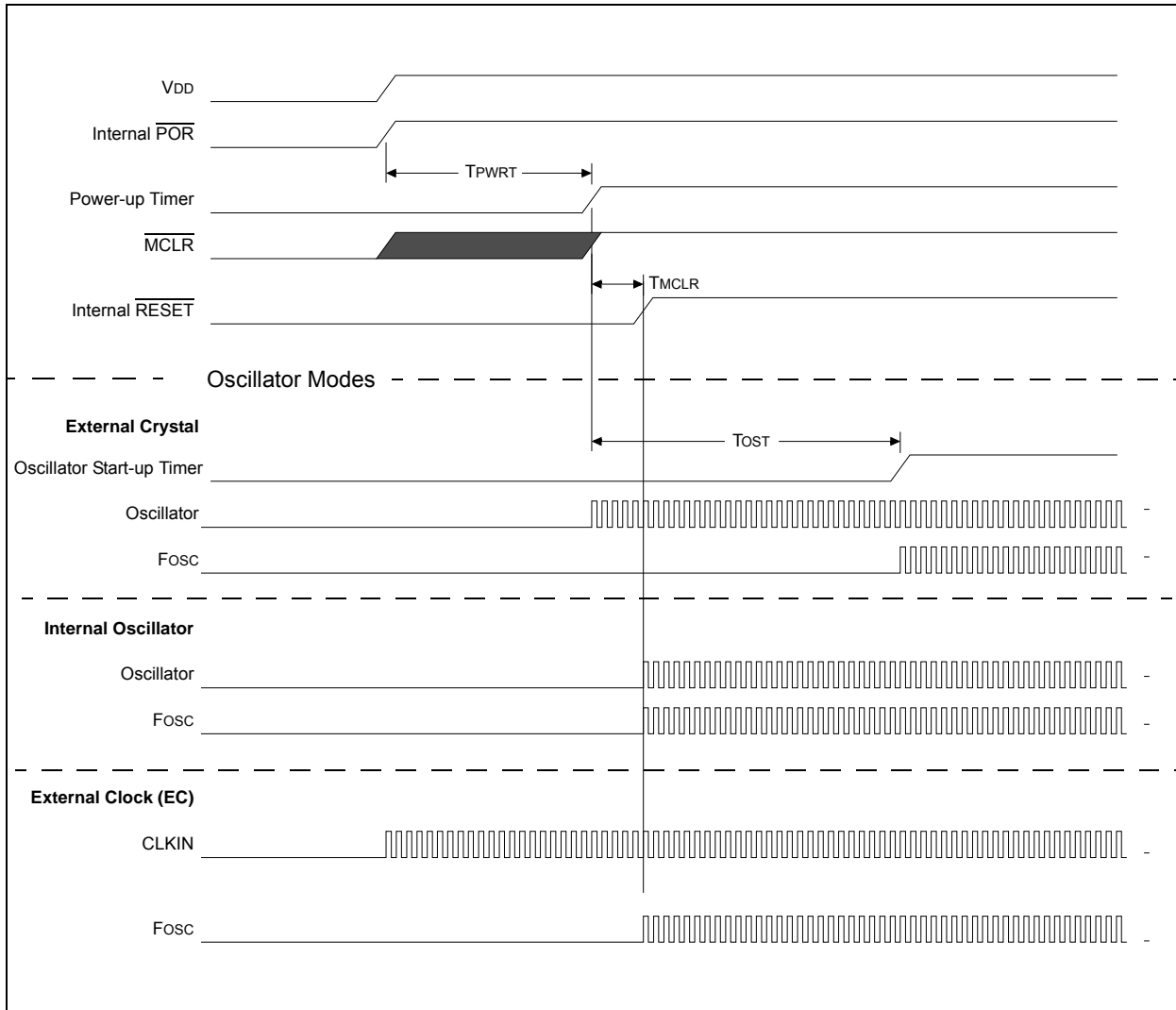
Upon the release of a POR or BOR, the following must occur before the device will begin executing:

1. Power-up Timer runs to completion (if enabled).
2.  $\overline{\text{MCLR}}$  must be released (if enabled).
3. Oscillator start-up timer runs to completion (if required for oscillator source).

The total time-out will vary based on oscillator configuration and Power-up Timer Configuration. See [Section 7.0 "Oscillator Module"](#) for more information.

The Power-up Timer and oscillator start-up timer run independently of  $\overline{\text{MCLR}}$  Reset. If  $\overline{\text{MCLR}}$  is kept low long enough, the Power-up Timer will expire. Upon bringing  $\overline{\text{MCLR}}$  high, the device will begin execution after 10 Fosc cycles (see [Figure 6-3](#)). This is useful for testing purposes or to synchronize more than one device operating in parallel.

**FIGURE 6-3: RESET START-UP SEQUENCE**



## 6.11 Determining the Cause of a Reset

Upon any Reset, multiple bits in the STATUS and PCON0 register are updated to indicate the cause of the Reset. Table 6-3 and Table 6-4 show the Reset conditions of these registers.

**TABLE 6-3: RESET STATUS BITS AND THEIR SIGNIFICANCE**

STKOVF	STKUNF	RWD $\overline{T}$	RMCLR	RI	POR	BOR	TO	PD	Condition
0	0	1	1	1	0	x	1	1	Power-on Reset
0	0	1	1	1	0	x	0	x	Illegal, $\overline{TO}$ is set on $\overline{POR}$
0	0	1	1	1	0	x	x	0	Illegal, $\overline{PD}$ is set on $\overline{POR}$
0	0	u	1	1	u	0	1	1	Brown-out Reset
u	u	0	u	u	u	u	0	u	WDT Reset
u	u	u	u	u	u	u	0	0	WDT Wake-up from Sleep
u	u	u	u	u	u	u	1	0	Interrupt Wake-up from Sleep
u	u	u	0	u	u	u	u	u	$\overline{MCLR}$ Reset during Normal Operation
u	u	u	0	u	u	u	1	0	$\overline{MCLR}$ Reset during Sleep
u	u	u	u	0	u	u	u	u	RESET Instruction Executed
1	u	u	u	u	u	u	u	u	Stack Overflow Reset (STVREN = 1)
u	1	u	u	u	u	u	u	u	Stack Underflow Reset (STVREN = 1)

**TABLE 6-4: RESET CONDITION FOR SPECIAL REGISTERS**

Condition	Program Counter	STATUS Register	PCON0 Register
Power-on Reset	0000h	---1 1000	00-- 110x
$\overline{MCLR}$ Reset during Normal Operation	0000h	---u uuuu	uu-- 0uuu
$\overline{MCLR}$ Reset during Sleep	0000h	---1 0uuu	uu-- 0uuu
WDT Reset	0000h	---0 uuuu	uu-0 uuuu
WDT Wake-up from Sleep	PC + 1	---0 0uuu	uu-u uuuu
Brown-out Reset	0000h	---1 1000	00-1 11u0
Interrupt Wake-up from Sleep	PC + 1 <sup>(1)</sup>	---1 0uuu	uu-u uuuu
RESET Instruction Executed	0000h	---u uuuu	uu-u u0uu
Stack Overflow Reset (STVREN = 1)	0000h	---u uuuu	1u-u uuuu
Stack Underflow Reset (STVREN = 1)	0000h	---u uuuu	u1-u uuuu

**Legend:** u = unchanged, x = unknown, - = unimplemented bit, reads as '0'.

**Note 1:** When the wake-up is due to an interrupt and Global Enable bit (GIE) is set, the return address is pushed on the stack and PC is loaded with the interrupt vector (0004h) after execution of PC + 1.

# PIC16(L)F18313/18323

**REGISTER 6-1: BORCON: BROWN-OUT RESET CONTROL REGISTER**

R/W-1/u	R/W-0-0	U-0	U-0	U-0	U-0	U-0	R-q/u
SBOREN <sup>(1)</sup>	Reserved	—	—	—	—	—	BORRDY
bit 7							bit 0

**Legend:**

R = Readable bit	W = Writable bit	U = Unimplemented bit, read as '0'
u = Bit is unchanged	x = Bit is unknown	-n/n = Value at POR and BOR/Value at all other Resets
'1' = Bit is set	'0' = Bit is cleared	q = Value depends on condition

- bit 7      **SBOREN:** Software Brown-out Reset Enable bit<sup>(1)</sup>  
 If BOREN <1:0> in Configuration Words ≠ 01:  
 SBOREN is read/write, but has no effect on the BOR.  
 If BOREN <1:0> in Configuration Words = 01:  
 1 = BOR Enabled  
 0 = BOR Disabled
- bit 6      Reserved. Bit must be maintained as '0'.
- bit 5-1    **Unimplemented:** Read as '0'
- bit 0      **BORRDY:** Brown-out Reset Circuit Ready Status bit  
 1 = The Brown-out Reset circuit is active  
 0 = The Brown-out Reset circuit is inactive

**Note 1:** BOREN<1:0> bits are located in Configuration Words.

## 6.12 Power Control (PCON0) Register

The Power Control (PCON0) register contains flag bits to differentiate between a:

- Power-on Reset ( $\overline{\text{POR}}$ )
- Brown-out Reset ( $\overline{\text{BOR}}$ )
- Reset Instruction Reset ( $\overline{\text{RI}}$ )
- MCLR Reset ( $\overline{\text{RMCLR}}$ )
- Watchdog Timer Reset ( $\overline{\text{RWDT}}$ )
- Stack Underflow Reset (STKUNF)
- Stack Overflow Reset (STKOVF)

The PCON0 register bits are shown in [Register 6-2](#).

Hardware will change the corresponding register bit during the Reset process; if the Reset was not caused by the condition, the bit remains unchanged ([Table 6-4](#)).

Software should reset the bit to the inactive state after the restart (hardware will not reset the bit).

Software may also set any PCON0 bit to the active state, so that user code may be tested, but no Reset action will be generated.



## 6.13 Register Definitions: Power Control

**REGISTER 6-2: PCON0: POWER CONTROL REGISTER 0**

R/W/HS-0/q	R/W/HS-0/q	U-0	R/W/HC-1/q	R/W/HC-1/q	R/W/HC-1/q	R/W/HC-q/u	R/W/HC-q/u
STKOVF	STKUNF	—	RWDT	RMCLR	RI	POR	BOR
bit 7							bit 0

**Legend:**

HC = Bit is cleared by hardware	HS = Bit is set by hardware
R = Readable bit	W = Writable bit
u = Bit is unchanged	x = Bit is unknown
'1' = Bit is set	'0' = Bit is cleared
	U = Unimplemented bit, read as '0'
	-m/n = Value at POR and BOR/Value at all other Resets
	q = Value depends on condition

bit 7	<b>STKOVF:</b> Stack Overflow Flag bit 1 = A Stack Overflow occurred 0 = A Stack Overflow has not occurred or has been cleared by firmware
bit 6	<b>STKUNF:</b> Stack Underflow Flag bit 1 = A Stack Underflow occurred 0 = A Stack Underflow has not occurred or has been cleared by firmware
bit 5	<b>Unimplemented:</b> Read as '0'
bit 4	<b>RWDT:</b> Watchdog Timer Reset Flag bit 1 = A Watchdog Timer Reset has not occurred or set to '1' by firmware 0 = A Watchdog Timer Reset has occurred (cleared by hardware)
bit 3	<b>RMCLR:</b> MCLR Reset Flag bit 1 = A MCLR Reset has not occurred or set to '1' by firmware 0 = A MCLR Reset has occurred (cleared by hardware)
bit 2	<b>RI:</b> RESET Instruction Flag bit 1 = A RESET instruction has not been executed or set to '1' by firmware 0 = A RESET instruction has been executed (cleared by hardware)
bit 1	<b>POR:</b> Power-on Reset Status bit 1 = No Power-on Reset occurred 0 = A Power-on Reset occurred (must be set in software after a Power-on Reset occurs)
bit 0	<b>BOR:</b> Brown-out Reset Status bit 1 = No Brown-out Reset occurred 0 = A Brown-out Reset occurred (must be set in software after a Power-on Reset or Brown-out Reset occurs)

**TABLE 6-5: SUMMARY OF REGISTERS ASSOCIATED WITH RESETS**

Name	Bit 7	Bit 6	Bit 5	Bit 4	Bit 3	Bit 2	Bit 1	Bit 0	Register on Page
BORCON	SBOREN	Reserved	—	—	—	—	—	BORRDY	64
PCON0	STKOVF	STKUNF	—	RWDT	RMCLR	RI	POR	BOR	65
STATUS	—	—	—	TO	PD	Z	DC	C	24
WDTCON	—	—	WDTPS<4:0>					SWDTEN	109

**Legend:** — = unimplemented location, read as '0'. Shaded cells are not used by Resets.

# PIC16(L)F18313/18323

---

## 7.0 OSCILLATOR MODULE

### 7.1 Overview

The oscillator module has a wide variety of clock sources and selection features that allow it to be used in a wide range of applications while maximizing performance and minimizing power consumption. [Figure 7-1](#) illustrates a block diagram of the oscillator module.

Clock sources can be supplied from external oscillators, quartz-crystal resonators and ceramic resonators. In addition, the system clock source can be supplied from one of two internal oscillators and PLL circuits, with a choice of speeds selectable via software. Additional clock features include:

- Selectable system clock source between external or internal sources via software.
- Fail-Safe Clock Monitor (FSCM) designed to detect a failure of the external clock source (LP, XT, HS, ECH, ECM, ECL) and switch automatically to the internal oscillator.
- Oscillator Start-up Timer (OST) ensures stability of crystal oscillator sources.

The RSTOSC bits of Configuration Word 1 determine the type of oscillator that will be used when the device is reset, including when it is first powered-up.

The internal clock modes, LFINTOSC, HFINTOSC (set at 1 MHz), or HFINTOSC (set at 32 MHz) can be set through the RSTOSC bits.

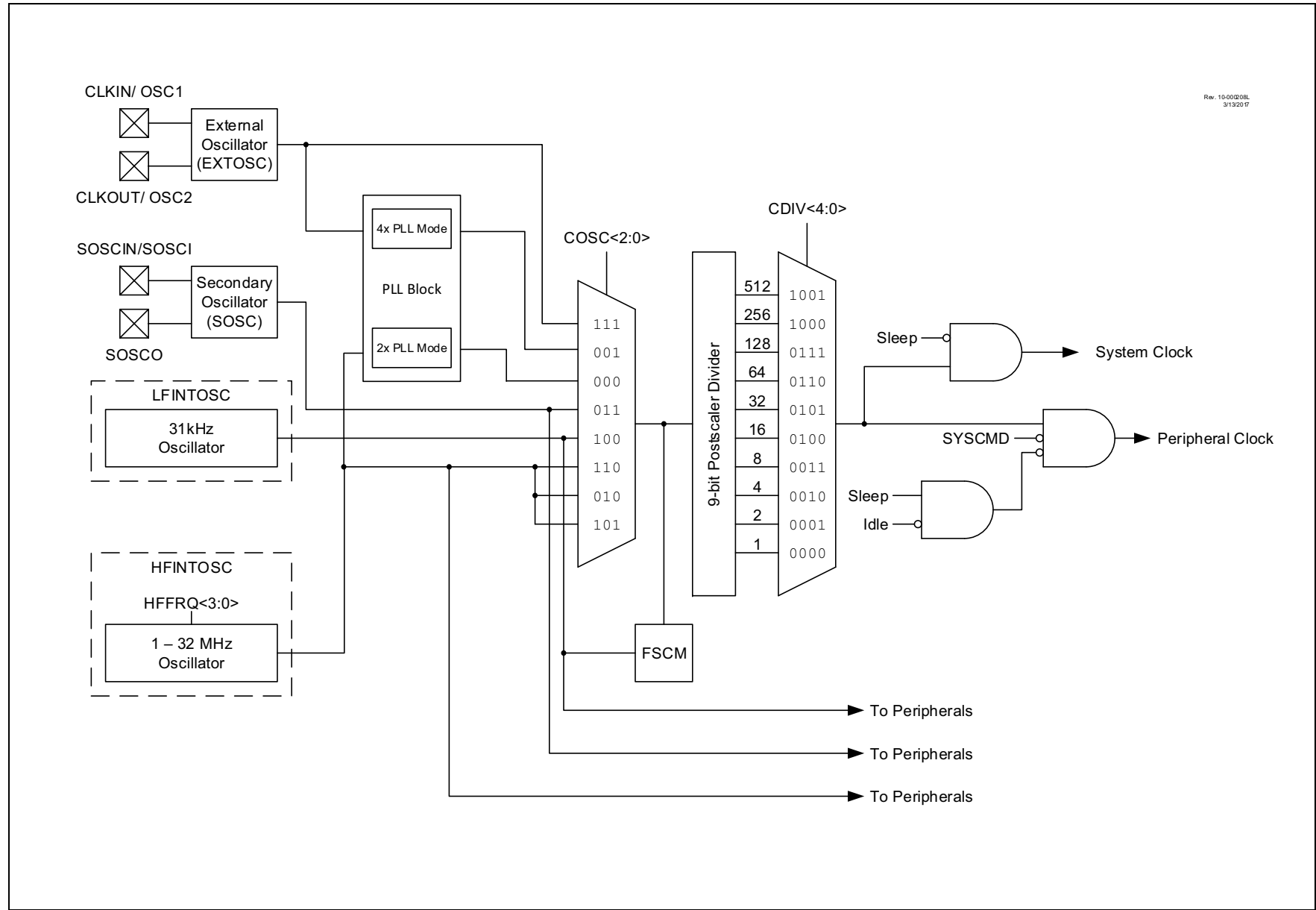
If an external clock source is selected, the FEXTOSC bits of Configuration Word 1 must be used in conjunction with the RSTOSC bits to select the External Clock mode.

The external oscillator module can be configured in one of the following clock modes by setting the FEXTOSC<2:0> bits of Configuration Word 1:

1. ECL – External Clock Low-Power mode ( $\leq 500$  kHz)
2. ECM – External Clock Medium-Power mode ( $\leq 8$  MHz)
3. ECH – External Clock High-Power mode ( $\leq 32$  MHz)
4. LP – 32 kHz Low-Power Crystal mode.
5. XT – Medium Gain Crystal or Ceramic Resonator Oscillator mode (between 100 kHz and 4 MHz)
6. HS – High Gain Crystal or Ceramic Resonator mode (above 4 MHz)

The ECH, ECM, and ECL Clock modes rely on an external logic level signal as the device clock source. The LP, XT, and HS Clock modes require an external crystal or resonator to be connected to the device. Each mode is optimized for a different frequency range. The INTOSC internal oscillator block produces low and high-frequency clock sources, designated LFINTOSC and HFINTOSC. (see Internal Oscillator Block, [Figure 7-1](#)).

**FIGURE 7-1: SIMPLIFIED PIC® MCU CLOCK SOURCE BLOCK DIAGRAM**



# PIC16(L)F18313/18323

## 7.2 Clock Source Types

Clock sources can be classified as external or internal.

External clock sources rely on external circuitry for the clock source to function. Examples are: oscillator modules (ECH, ECM, ECL mode), quartz crystal resonators or ceramic resonators (LP, XT and HS modes).

There is also a secondary oscillator block which is optimized for a 32.768 kHz external clock source, which can be used as an alternate clock source.

There are two internal oscillator blocks:

- HFINTOSC
- LFINTOSC

The HFINTOSC can produce clock frequencies from 1-16 MHz. The LFINTOSC generates a 31 kHz clock frequency.

There is a PLL that can be used by the external oscillator. See [7.2.1.4 “4x PLL”](#) for more details. Additionally, there is a PLL that can be used by the HFINTOSC at certain frequencies. See [Section 7.2.2.2 “2x PLL”](#) for more details.

### 7.2.1 EXTERNAL CLOCK SOURCES

An external clock source can be used as the device system clock by performing one of the following actions:

- Program the RSTOSC<2:0> bits in the Configuration Words to select an external clock source that will be used as the default system clock upon a device Reset.
- Write the NOSC<2:0> and NDIV<3:0> bits in the OSCCON1 register to switch the system clock source.

See [Section 7.3 “Clock Switching”](#) for more information.

#### 7.2.1.1 EC Mode

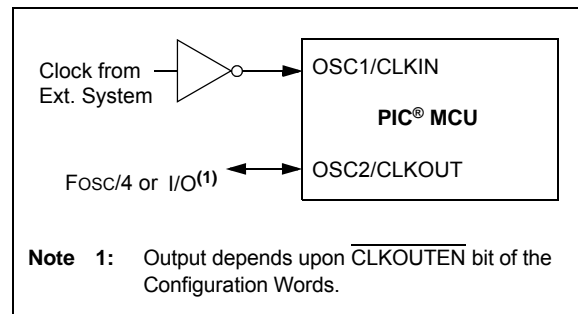
The External Clock (EC) mode allows an externally generated logic level signal to be the system clock source. When operating in this mode, an external clock source is connected to the CLKIN input. OSC2/CLKOUT is available for general purpose I/O or CLKOUT. [Figure 7-2](#) shows the pin connections for EC mode.

EC mode has three power modes to select from through Configuration Words:

- ECH – High power,  $\leq 32$  MHz
- ECM – Medium power,  $\leq 8$  MHz
- ECL – Low power,  $\leq 0.5$  MHz

The Oscillator Start-up Timer (OST) is disabled when EC mode is selected. Therefore, there is no delay in operation after a Power-on Reset (POR) or wake-up from Sleep. Because the PIC® MCU design is fully static, stopping the external clock input will have the effect of halting the device while leaving all data intact. Upon restarting the external clock, the device will resume operation as if no time had elapsed.

**FIGURE 7-2: EXTERNAL CLOCK (EC) MODE OPERATION**



## 7.2.1.2 LP, XT, HS Modes

The LP, XT and HS modes support the use of quartz crystal resonators or ceramic resonators connected to OSC1 and OSC2 (Figure 7-3). The three modes select a low, medium or high gain setting of the internal inverter-amplifier to support various resonator types and speed.

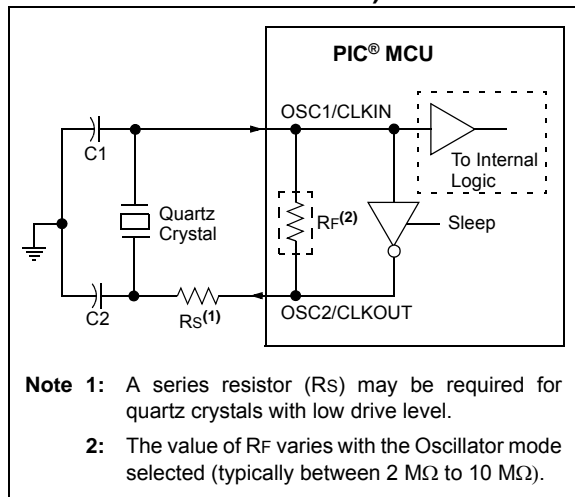
**LP** Oscillator mode selects the lowest gain setting of the internal inverter-amplifier. LP mode current consumption is the least of the three modes. This mode is designed to drive 32.768 kHz tuning-fork type crystals (watch crystals), but can operate up to 100 kHz.

**XT** Oscillator mode selects the intermediate gain setting of the internal inverter-amplifier. XT mode current consumption is the medium of the three modes. This mode is best suited to drive crystals and resonators with a frequency range up to 4 MHz.

**HS** Oscillator mode selects the highest gain setting of the internal inverter-amplifier. HS mode current consumption is the highest of the three modes. This mode is best suited for resonators that require operating frequencies up to 20 MHz.

Figure 7-3 and Figure 7-4 show typical circuits for quartz crystal and ceramic resonators, respectively.

**FIGURE 7-3: QUARTZ CRYSTAL OPERATION (LP, XT OR HS MODE)**



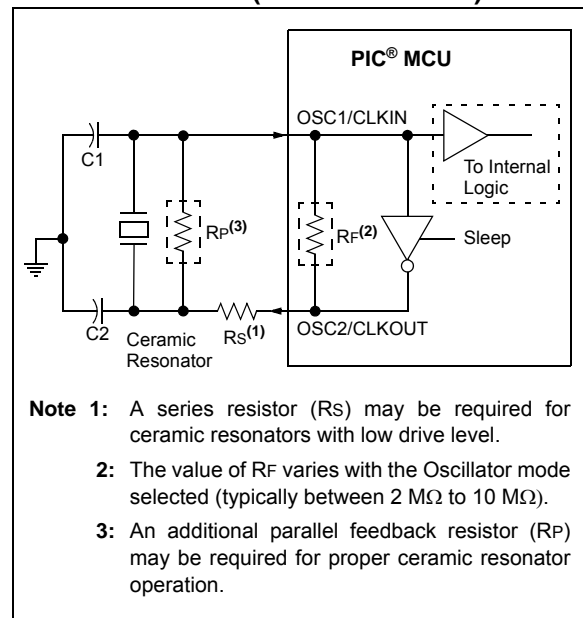
**Note 1:** Quartz crystal characteristics vary according to type, package and manufacturer. The user should consult the manufacturer data sheets for specifications and recommended application.

**2:** Always verify oscillator performance over the VDD and temperature range that is expected for the application.

**3:** For oscillator design assistance, reference the following Microchip Application Notes:

- AN826, "Crystal Oscillator Basics and Crystal Selection for rPIC<sup>®</sup> and PIC<sup>®</sup> Devices" (DS00826)
- AN849, "Basic PIC<sup>®</sup> Oscillator Design" (DS00849)
- AN943, "Practical PIC<sup>®</sup> Oscillator Analysis and Design" (DS00943)
- AN949, "Making Your Oscillator Work" (DS00949)

**FIGURE 7-4: CERAMIC RESONATOR OPERATION (XT OR HS MODE)**



# PIC16(L)F18313/18323

## 7.2.1.3 Oscillator Start-up Timer (OST)

If the oscillator module is configured for LP, XT or HS modes, the Oscillator Start-up Timer (OST) counts 1024 oscillations from OSC1. This occurs following a Power-on Reset (POR), Brown-out Reset (BOR), or a wake-up from Sleep. The OST ensures that the oscillator circuit, using a quartz crystal resonator or ceramic resonator, has started and is providing a stable system clock to the oscillator module.

## 7.2.1.4 4x PLL

The oscillator module contains a PLL that can be used with external clock sources to provide a system clock source. The input frequency for the PLL must fall within specifications. See the PLL Clock Timing Specifications in [Table 35-9](#).

The PLL may be enabled for use by one of two methods:

1. Program the RSTOSC bits in the Configuration Word 1 to enable the EXTOSC with 4x PLL.
2. Write the NOSC<2:0> bits in the OSCCON1 register to enable the EXTOSC with 4x PLL.

## 7.2.1.5 Secondary Oscillator

The secondary oscillator is a separate oscillator block that can be used as an alternate system clock source. The secondary oscillator is optimized for 32.768 kHz, and can be used with an external crystal oscillator connected to the SOSCI and SOSCO device pins, or an external clock source connected to the SOSCIN pin. The secondary oscillator can be selected during run-time using clock switching. Refer to [Section 7.3 “Clock Switching”](#) for more information.

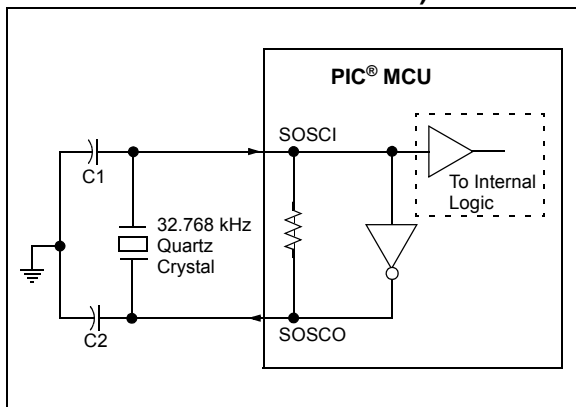
**Note 1:** Quartz crystal characteristics vary according to type, package and manufacturer. The user should consult the manufacturer data sheets for specifications and recommended application.

**2:** Always verify oscillator performance over the VDD and temperature range that is expected for the application.

**3:** For oscillator design assistance, reference the following Microchip Application Notes:

- AN826, “Crystal Oscillator Basics and Crystal Selection for *rfPIC*<sup>®</sup> and *PIC*<sup>®</sup> Devices” (DS00826)
- AN849, “Basic *PICmicro*<sup>®</sup> Oscillator Design” (DS00849)
- AN943, “Practical *PICmicro*<sup>®</sup> Oscillator Analysis and Design” (DS00943)
- AN949, “Making Your Oscillator Work” (DS00949)
- TB097, “Interfacing a Micro Crystal MS1V-T1K 32.768 kHz Tuning Fork Crystal to a *PIC16F690/SS*” (DS91097)
- AN1288, “Design Practices for Low-Power External Oscillators” (DS01288)

**FIGURE 7-5: QUARTZ CRYSTAL OPERATION (SECONDARY OSCILLATOR)**



## 7.2.2 INTERNAL CLOCK SOURCES

The device may be configured to use the internal oscillator block as the system clock by performing one of the following actions:

- Program the RSTOSC<2:0> bits in Configuration Words to select the INTOSC clock source, which will be used as the default system clock upon a device Reset.
- Write the NOSC<2:0> bits in the OSCCON1 register to switch the system clock source to the internal oscillator during run-time. See [Section 7.3 “Clock Switching”](#) for more information.

The function of the OSC2/CLKOUT pin is determined by the CLKOUTEN bit in Configuration Words.

The internal oscillator block has two independent oscillators that can produce two internal system clock sources.

1. The HFINTOSC (High-Frequency Internal Oscillator) is factory calibrated and operates up to 32 MHz.
2. The LFINTOSC (Low-Frequency Internal Oscillator) is factory calibrated and operates at 31 kHz.

### 7.2.2.1 HFINTOSC

The High-Frequency Internal Oscillator (HFINTOSC) is a precision digitally-controlled internal clock source that produces a stable clock up to 32 MHz. The HFINTOSC can be enabled through one of the following methods:

- Programming the RSTOSC<2:0> bits in Configuration Word 1 to '110' (1 MHz) or '000' (32 MHz) to set the oscillator upon device Power-up or Reset
- Write to the NOSC<2:0> bits of the OSCCON1 register during run-time

The HFINTOSC frequency can be selected by setting the HFFRQ<2:0> bits of the OSCFRQ register.

The NDIV<3:0> bits of the OSCCON1 register allow for division of the output of the selected clock source by a range between 1:1 and 1:512.

### 7.2.2.2 2x PLL

The oscillator module contains a PLL that can be used with the HFINTOSC clock source to provide a system clock source. The input frequency to the PLL is limited to 8, 12, or 16 MHz, which will yield a system clock source of 16, 24, or 32 MHz, respectively.

The PLL may be enabled for use by one of two methods:

1. Program the RSTOSC bits in the Configuration Word 1 to '000' to enable the HFINTOSC (32 MHz). This setting configures the HFFRQ<2:0> bits to '110' (16 MHz) and activates the 2x PLL.
2. Write '000' the NOSC<2:0> bits in the OSCCON1 register to enable the 2x PLL, and write the correct value into the HFFRQ<3:0> bits of the OSCFRQ register to select the desired system clock frequency. See Register 6-6 for more information.

# PIC16(L)F18313/18323

---

## 7.2.2.3 Internal Oscillator Frequency Adjustment

The HFINTOSC and LFINTOSC internal oscillators are both factory-calibrated. The HFINTOSC oscillator can be adjusted in software by writing to the OSCTUNE register ([Register 7-3](#)). OSCTUNE does not affect the LFINTOSC frequency.

The default value of the OSCTUNE register is 00h. The value is a 6-bit two's complement number. A value of 1Fh will provide an adjustment to the maximum frequency. A value of 20h will provide an adjustment to the minimum frequency.

When the OSCTUNE register is modified, the HFINTOSC oscillator frequency will begin shifting to the new frequency. Code execution continues during this shift. There is no indication that the shift has occurred.

## 7.2.2.4 LFINTOSC

The Low-Frequency Internal Oscillator (LFINTOSC) is a factory calibrated 31 kHz internal clock source.

The LFINTOSC is the clock source for the Power-up Timer (PWRT), Watchdog Timer (WDT) and Fail-Safe Clock Monitor (FSCM). The LFINTOSC can also be used as the system clock, or as a clock or input source to certain peripherals.

The LFINTOSC is selected as the clock source through one of the following methods:

- Programming the RSTOSC<2:0> bits of Configuration Word 1 to enable LFINTOSC.
- Write to the NOSC<2:0> bits of the OSCCON1 register.

## 7.2.2.5 Oscillator Status and Manual Enable

The 'ready' status of each oscillator is displayed in the OSCSTAT1 register ([Register 7-4](#)). The oscillators can also be manually enabled through the OSCEN register ([Register 7-5](#)). Manual enables make it possible to verify the operation of the EXTOSC or SOSC crystal oscillators. This can be achieved by enabling the selected oscillator, then watching the corresponding 'ready' state of the oscillator in the OSCSTAT1 register.



## 7.3 Clock Switching

The system clock source can be switched between external and internal clock sources via software using the New Oscillator Source (NOSC) and New Divider Selection Request (NDIV) bits of the OSCCON1 register. The following clock sources can be selected:

- External Oscillator (EXTOSC)
- High-Frequency Internal Oscillator (HFINTOSC)
- Low-Frequency Internal Oscillator (LFINTOSC)
- Secondary Oscillator (SOSC)
- EXTOSC with 4x PLL
- HFINTOSC with 2x PLL

### 7.3.1 NEW OSCILLATOR SOURCE (NOSC) AND NEW DIVIDER SELECTION REQUEST (NDIV) BITS

The New Oscillator Source (NOSC) and New Divider Selection Request (NDIV) bits of the OSCCON1 register select the system clock source and frequencies that are used for the CPU and peripherals.

When the new values of NOSC<2:0> and NDIV<3:0> are written to OSCCON1, the current oscillator selection will continue to operate as the system clock while waiting for the new source to indicate that it is stable and ready. In some cases, the newly requested source may already be in use, and is ready immediately. In the case of a divider-only change, the new and old sources are the same and are ready immediately. The device may enter Sleep while waiting for the switch as described in [Section 7.3.3 “Clock Switch and Sleep”](#).

When the new oscillator is ready, the New Oscillator is Ready (NOSCR) bit of OSCCON3 and the Clock Switch Interrupt Flag (CSWIF) bit of PIR3 become set (CSWIF = 1). If Clock Switch Interrupts are enabled (CSWIE = 1), an interrupt will be generated at that time. The Oscillator Ready (ORDY) bit of OSCCON3 can also be polled to determine when the oscillator is ready in lieu of an interrupt.

If the Clock Switch Hold (CSWHOLD) bit of OSCCON3 is clear, the oscillator switch will occur when the New Oscillator Ready bit (NOSCR) is set and the interrupt (if enabled) will be serviced at the new oscillator setting.

If CSWHOLD is set, the oscillator switch is suspended, while execution continues using the current (old) clock source. When the NOSCR bit is set, software should:

- set CSWHOLD = 0 so the switch can complete, or
- copy COSC into NOSC<2:0> to abandon the switch.

If DOZE is in effect, the switch occurs on the next clock cycle, whether or not the CPU is operating during that cycle.

Changing the clock post-divider without changing the clock source (i.e., changing Fosc from 1 MHz to 2 MHz) is handled in the same manner as a clock source change, as described previously. The clock source will already be active, so the switch is relatively quick. CSWHOLD must be clear (CSWHOLD = 0) for the switch to complete.

The current COSC and CDIV are indicated in the OSCCON2 register up to the moment when the switch actually occurs, at which time OSCCON2 is updated and ORDY is set. NOSCR is cleared by hardware to indicate that the switch is complete.

### 7.3.2 PLL INPUT SWITCH

Switching between the PLL and any non-PLL source is managed as described above. The input to the PLL is established when NOSC<2:0> selects the PLL, and maintained by the COSC setting.

When NOSC<2:0> and COSC select the PLL with different input sources, the system continues to run using the COSC setting, and the new source is enabled per NOSC<2:0>. When the new oscillator is ready (and CSWHOLD = 0), system operation is suspended while the PLL input is switched and the PLL acquires lock.

### 7.3.3 CLOCK SWITCH AND SLEEP

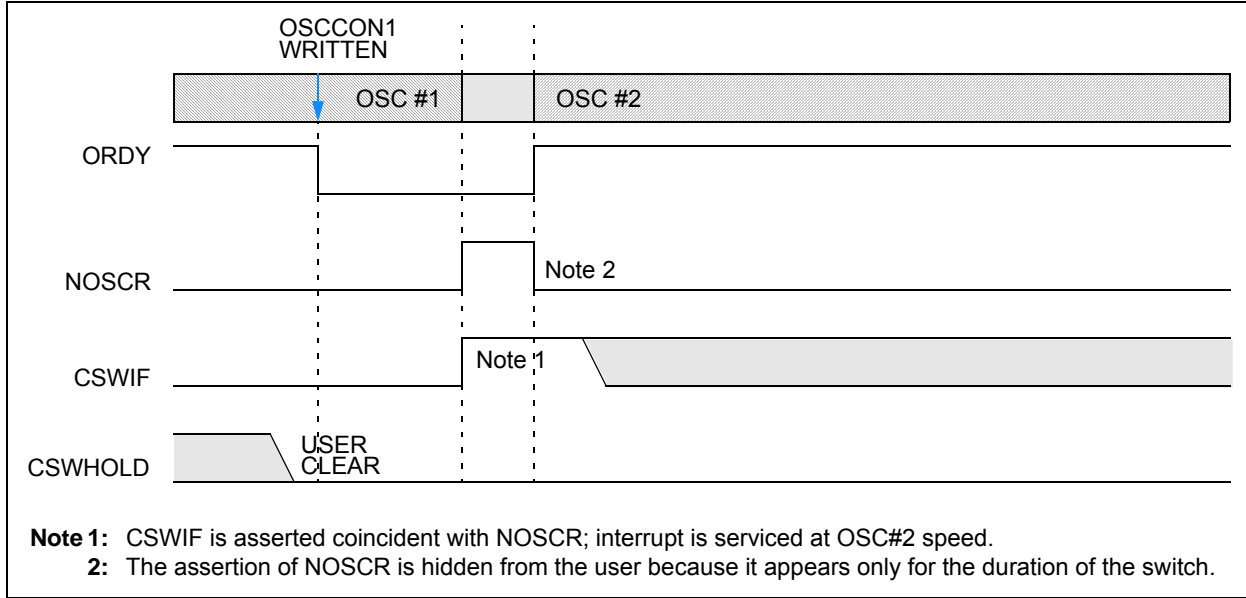
If OSCCON1 is written with a new value and the device is put to Sleep before the switch completes, the switch will not take place and the device will enter Sleep mode.

When the device wakes from Sleep and the CSWHOLD bit is clear, the device will wake with the ‘new’ clock active, and the Clock Switch Interrupt Flag bit (CSWIF) will be set.

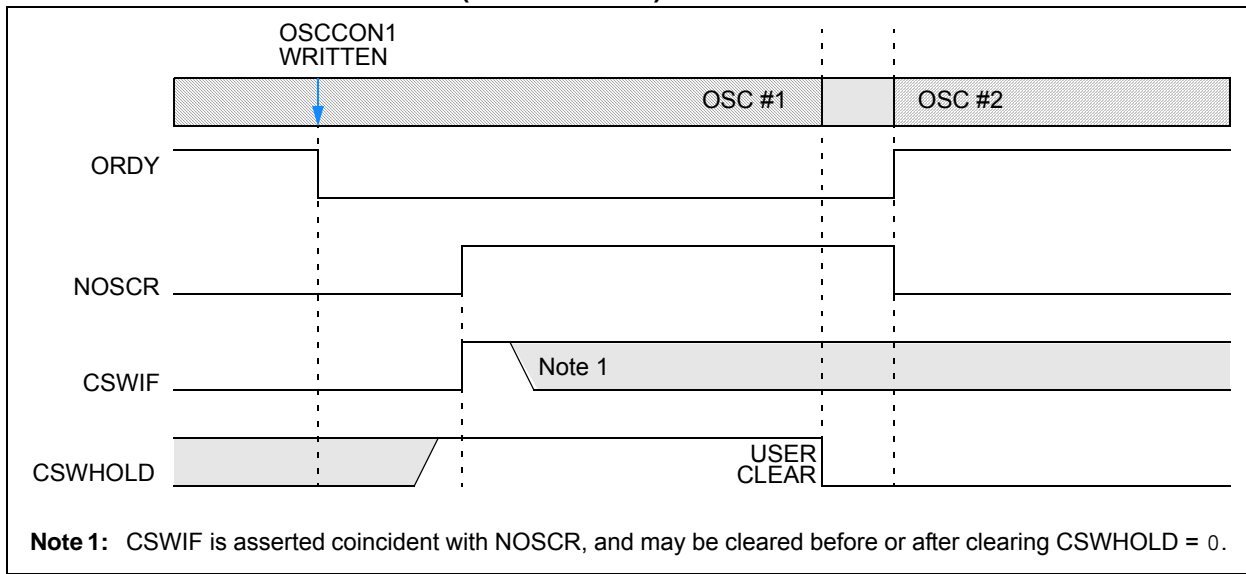
When the device wakes from Sleep and the CSWHOLD bit is set, the device will wake with the ‘old’ clock active and the new clock will be requested again.

# PIC16(L)F18313/18323

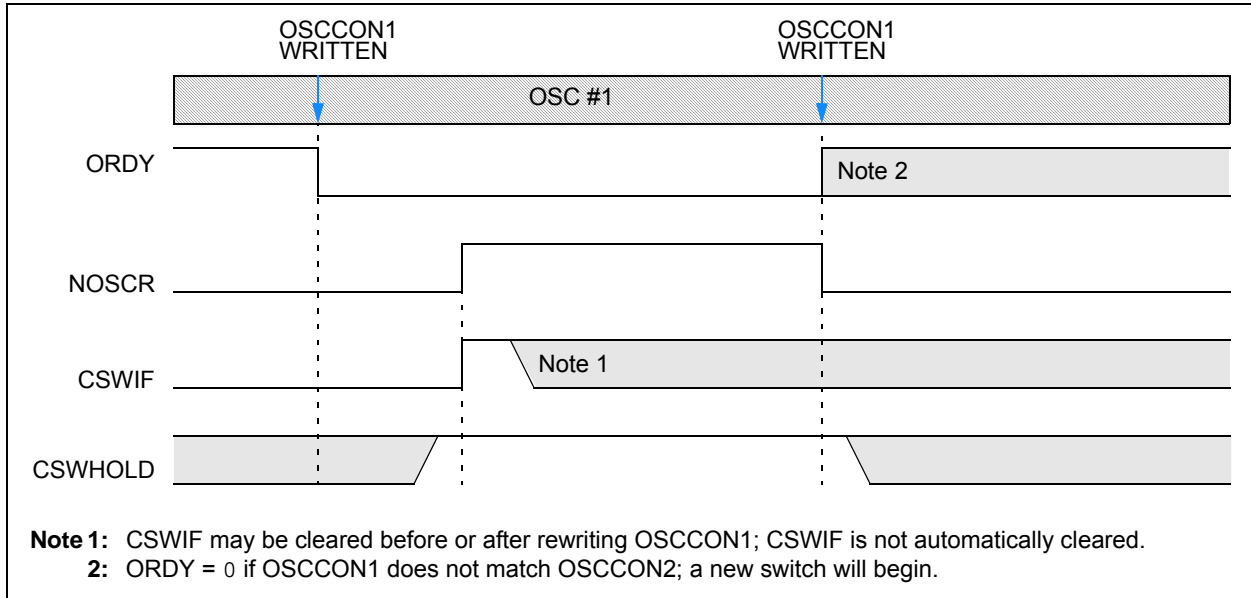
**FIGURE 7-6: CLOCK SWITCH (CSWHOLD = 0)**



**FIGURE 7-7: CLOCK SWITCH (CSWHOLD = 1)**



**FIGURE 7-8: CLOCK SWITCH ABANDONED**

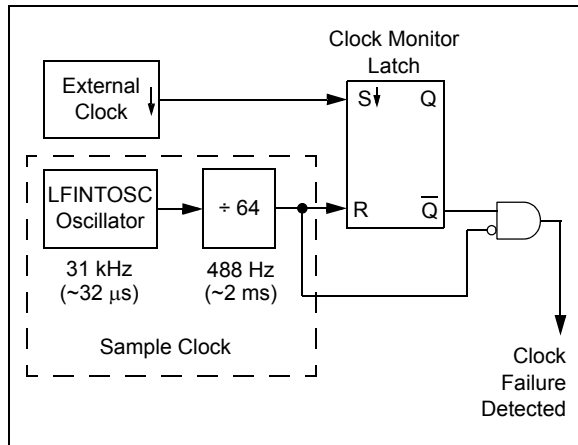


# PIC16(L)F18313/18323

## 7.4 Fail-Safe Clock Monitor

The Fail-Safe Clock Monitor (FSCM) allows the device to continue operating should the external oscillator fail. The FSCM is enabled by setting the FCMEN bit in the Configuration Words. The FSCM is applicable to all external Oscillator modes (LP, XT, HS, ECL, ECM, ECH, and Secondary Oscillator).

**FIGURE 7-9: FSCM BLOCK DIAGRAM**



### 7.4.1 FAIL-SAFE DETECTION

The FSCM module detects a failed oscillator by comparing the external oscillator to the FSCM sample clock. The sample clock is generated by dividing the LFINTOSC by 64. See Figure 7-9. Inside the fail detector block is a latch. The external clock sets the latch on each falling edge of the external clock. The sample clock clears the latch on each rising edge of the sample clock. A failure is detected when an entire half-cycle of the sample clock elapses before the external clock goes low.

### 7.4.2 FAIL-SAFE OPERATION

When the external clock fails, the FSCM switches the device clock to the HFINTOSC at 1 MHz clock frequency and sets the bit flag OSFIF of the PIR3 register. Setting this flag will generate an interrupt if the OSFIE bit of the PIE3 register is also set. The device firmware can then take steps to mitigate the problems that may arise from a failed clock. The system clock will continue to be sourced from the internal clock source until the device firmware successfully restarts the external oscillator and switches back to external operation, by writing to the NOSC<2:0> and NDIV<3:0> bits of the OSCCON1 register.

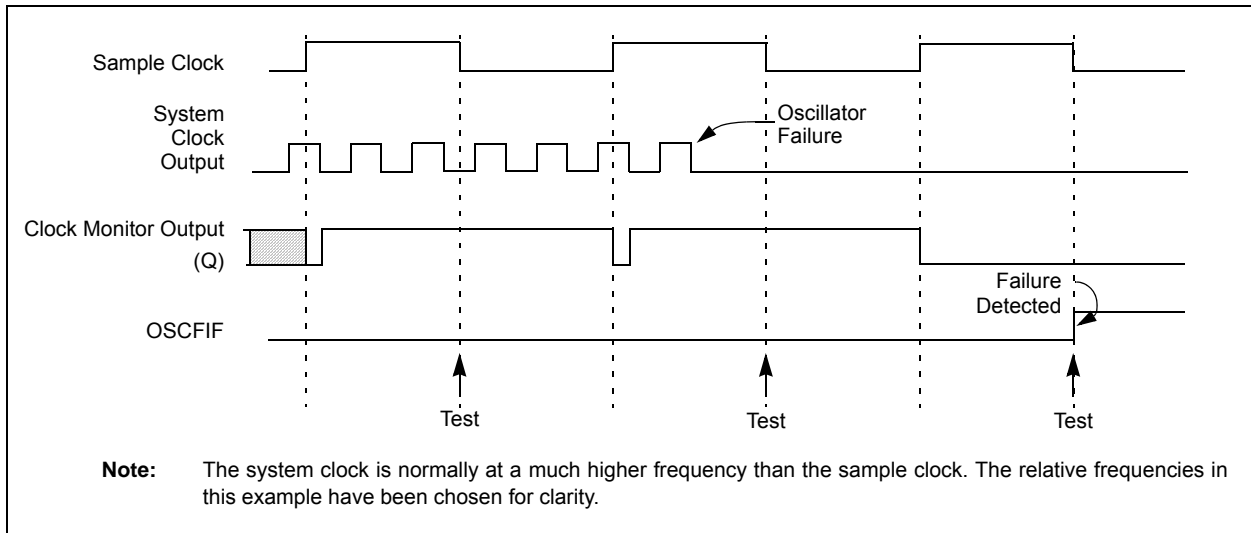
### 7.4.3 FAIL-SAFE CONDITION CLEARING

The Fail-Safe condition is cleared after a Reset, executing a SLEEP instruction or changing the NOSC<2:0> and NDIV<3:0> bits of the OSCCON1 register. When switching to the external oscillator or external oscillator with PLL, the OST is restarted. While the OST is running, the device continues to operate from the INTOSC selected in OSCCON1. When the OST times out, the Fail-Safe condition is cleared after successfully switching to the external clock source. The OSFIF bit should be cleared prior to switching to the external clock source. If the Fail-Safe condition still exists, the OSFIF flag will again be set by hardware.

## 7.4.4 RESET OR WAKE-UP FROM SLEEP

The FSCM is designed to detect an oscillator failure after the Oscillator Start-up Timer (OST) has expired. The OST is used after waking up from Sleep and after any type of Reset. The OST is not used with the EC Clock modes so that the external clock signal can be stopped if required. Therefore, the device will always be executing code while the OST is operating when using one of the EC modes.

**FIGURE 7-10: FSCM TIMING DIAGRAM**



# PIC16(L)F18313/18323

## 7.5 Register Definitions: Oscillator Control

**REGISTER 7-1: OSCCON1: OSCILLATOR CONTROL REGISTER 1**

U-0	R/W-f/f <sup>(1)</sup>	R/W-f/f <sup>(1)</sup>	R/W-f/f <sup>(1)</sup>	R/W-q/q <sup>(4)</sup>	R/W-q/q <sup>(4)</sup>	R/W-q/q <sup>(4)</sup>	R/W-q/q <sup>(4)</sup>
—	NOSC<2:0> <sup>(2,3)</sup>			NDIV<3:0> <sup>(2,3)</sup>			
bit 7							bit 0

**Legend:**

R = Readable bit	W = Writable bit	U = Unimplemented bit, read as '0'
u = Bit is unchanged	x = Bit is unknown	-n/n = Value at POR and BOR/Value at all other Resets
'1' = Bit is set	'0' = Bit is cleared	f = determined by fuse setting
q = Reset value is determined by hardware		

bit 7 **Unimplemented:** Read as '0'

bit 6-4 **NOSC<2:0>:** New Oscillator Source Request bits  
The setting requests a source oscillator and PLL combination per [Table 7-1](#).  
POR value = RSTOSC ([Register 5.2](#)).

bit 3-0 **NDIV<3:0>:** New Divider Selection Request bits  
The setting determines the new postscaler division ratio per [Table 7-2](#).

- Note 1:** The default value (f/f) is set equal to the RSTOSC Configuration bits.  
**2:** If NOSC is written with a reserved value ([Table 7-1](#)), the HFINTOSC will be automatically selected as the clock source.  
**3:** When CSWEN = 0, this register is read-only and cannot be changed from the POR value.  
**4:** When RSTOSC = 110 (HFINTOSC 1 MHz) the NDIV bits will default to '0010' upon Reset; for all other NOSC settings the NVID bits will default to '0000' upon Reset.

**REGISTER 7-2: OSCCON2: OSCILLATOR CONTROL REGISTER 2**

U-0	R-q/q <sup>(1)</sup>	R-q/q <sup>(1)</sup>	R-q/q <sup>(1)</sup>	R-q/q <sup>(1)</sup>	R-q/q <sup>(1)</sup>	R-q/q <sup>(1)</sup>	R-q/q <sup>(1)</sup>
—	COSC<2:0>			CDIV<3:0>			
bit 7							bit 0

**Legend:**

R = Readable bit	W = Writable bit	U = Unimplemented bit, read as '0'
u = Bit is unchanged	x = Bit is unknown	-n/n = Value at POR and BOR/Value at all other Resets
'1' = Bit is set	'0' = Bit is cleared	f = determined by fuse setting
q = Reset value is determined by hardware		

bit 7 **Unimplemented:** Read as '0'

bit 6-4 **COSC<2:0>:** Current Oscillator Source Select bits (read-only)  
Indicates the current source oscillator and PLL combination per [Table 7-1](#).

bit 3-0 **CDIV<3:0>:** Current Divider Select bits (read-only)  
Indicates the current postscaler division ratio per [Table 7-2](#).

- Note 1:** The Reset value (q/q) will match the NOSC<2:0>/NDIV<3:0> bits.

**TABLE 7-1: NOSC/COSC BIT SETTINGS**

NOSC<2:0> COSC<2:0>	Clock Source
111	EXTOSC <sup>(1)</sup>
110	HFINTOSC (1 MHz)
101	Reserved
100	LFINTOSC
011	SOSC
010	Reserved
001	EXTOSC with 4xPLL <sup>(1)</sup>
000	HFINTOSC with 2x PLL (32 MHz)

**Note 1:** EXTOSC configured by the FEXTOSC bits of Configuration Word 1 (Register 5-1).

**TABLE 7-2: NDIV/CDIV BIT SETTINGS**

NDIV<3:0> CDIV<3:0>	Clock Divider
1111-1010	Reserved
1001	512
1000	256
0111	128
0110	64
0101	32
0100	16
0011	8
0010	4
0001	2
0000	1

**REGISTER 7-3: OSCCON3: OSCILLATOR CONTROL REGISTER 3**

R/W/HC-0/0	R/W-0/0	R/W-0/0	R-0/0	R-0/0	U-0	U-0	U-0
CSWHOLD	SOSCPWR	SOSCBE	ORDY	NOSCR	—	—	—
bit 7							bit 0

**Legend:**

R = Readable bit	W = Writable bit	U = Unimplemented bit, read as '0'
u = Bit is unchanged	x = Bit is unknown	-n/n = Value at POR and BOR/Value at all other Resets
'1' = Bit is set	'0' = Bit is cleared	f = determined by fuse setting
q = Reset value is determined by hardware	HC = Hardware clear	

- bit 7      **CSWHOLD:** Clock Switch Hold bit  
 1 = Clock switch will hold (with interrupt) when the oscillator selected by NOSC is ready  
 0 = Clock switch may proceed when the oscillator selected by NOSC is ready; if this bit is set at the time that NOSCR becomes '1', the switch and interrupt will occur.
- bit 6      **SOSCPWR:** Secondary Oscillator Power Mode Select bit  
 If SOSCBE = 0  
 1 = Secondary oscillator operating in High-Power mode  
 0 = Secondary oscillator operating in Low-Power mode  
 If SOSCBE = 1  
 x = Bit is ignored
- bit 5      **SOSCBE:** Secondary Oscillator Bypass Enable bit  
 1 = Secondary oscillator SOSCI is configured as an external clock input (ST-buffer); SOSCO is not used.  
 0 = Secondary oscillator is configured as a crystal oscillator using SOSCO and SOSCI pins.
- bit 4      **ORDY:** Oscillator Ready bit (read-only)  
 1 = OSCCON1 = OSCCON2; the current system clock is the clock specified by NOSC  
 0 = A clock switch is in progress
- bit 3      **NOSCR:** New Oscillator is Ready bit (read-only)  
 1 = A clock switch is in progress and the oscillator selected by NOSC indicates a Ready condition  
 0 = A clock switch is not in progress, or the NOSC-selected oscillator is not yet ready
- bit 2-0    **Unimplemented:** Read as '0'.

# PIC16(L)F18313/18323

## REGISTER 7-4: OSCSTAT1: OSCILLATOR STATUS REGISTER 1

R-q/q	R-q/q	U-0	R-q/q	R-q/q	R-q/q	U-0	R-q/q
EXTOR	HFOR	—	LFOR	SOR	ADOR	—	PLLr
bit 7							bit 0

### Legend:

R = Readable bit

W = Writable bit

U = Unimplemented bit, read as '0'

u = Bit is unchanged

x = Bit is unknown

-n/n = Value at POR and BOR/Value at all other Resets

'1' = Bit is set

'0' = Bit is cleared

q = Reset value is determined by hardware

- bit 7      **EXTOR:** EXTOSC (external) Oscillator Ready  
1 = The oscillator is ready to be used  
0 = The oscillator is not enabled, or is not yet ready to be used.
- bit 6      **HFOR:** HFINTOSC Oscillator Ready  
1 = The oscillator is ready to be used  
0 = The oscillator is not enabled, or is not yet ready to be used.
- bit 5      **Unimplemented:** Read as '0'
- bit 4      **LFOR:** LFINTOSC Oscillator Ready  
1 = The oscillator is ready to be used  
0 = The oscillator is not enabled, or is not yet ready to be used.
- bit 3      **SOR:** Secondary Oscillator Ready  
1 = The oscillator is ready to be used  
0 = The oscillator is not enabled, or is not yet ready to be used.
- bit 2      **ADOR:** ADCRC Oscillator Ready  
1 = The oscillator is ready to be used  
0 = The oscillator is not enabled, or is not yet ready to be used
- bit 1      **Unimplemented:** Read as '0'
- bit 0      **PLLr:** PLL is ready  
1 = The PLL is ready to be used  
0 = The PLL is not enabled, the required input source is not ready, or the PLL is not ready.



# PIC16(L)F18313/18323

## REGISTER 7-5: OSCEN: OSCILLATOR MANUAL ENABLE REGISTER

R/W-0/0	R/W-0/0	U-0	R/W-0/0	R/W-0/0	R/W-0/0	U-0	U-0
EXTOEN	HFOEN	—	LFOEN	SOSCEN	ADOEN	—	—
bit 7							bit 0

### Legend:

R = Readable bit	W = Writable bit	U = Unimplemented bit, read as '0'
u = Bit is unchanged	x = Bit is unknown	-n/n = Value at POR and BOR/Value at all other Resets
'1' = Bit is set	'0' = Bit is cleared	

bit 7	<b>EXTOEN:</b> External Oscillator Manual Request Enable bit 1 = EXTOSC is explicitly enabled, operating as specified by FEXTOSC 0 = EXTOSC could be enabled by another module
bit 6	<b>HFOEN:</b> HFINTOSC Oscillator Manual Request Enable bit 1 = HFINTOSC is explicitly enabled, operating as specified by OSCFRQ ( <a href="#">Register 7-6</a> ) 0 = HFINTOSC could be enabled by another module
bit 5	<b>Unimplemented:</b> Read as '0'
bit 4	<b>LFOEN:</b> LFINTOSC (31 kHz) Oscillator Manual Request Enable bit 1 = LFINTOSC is explicitly enabled 0 = LFINTOSC could be enabled by another module
bit 3	<b>SOSCEN:</b> Secondary Oscillator Manual Request Enable bit 1 = Secondary Oscillator is explicitly enabled 0 = Secondary Oscillator could be enabled by another module
bit 2	<b>ADOEN:</b> ADOSC (600 kHz) Oscillator Manual Request Enable bit 1 = ADOSC is explicitly enabled 0 = ADOSC could be enabled by another module
bit 1	<b>Unimplemented:</b> Read as '0'
bit 0	<b>Unimplemented:</b> Read as '0'

# PIC16(L)F18313/18323

## REGISTER 7-6: OSCFRQ: HFINTOSC FREQUENCY SELECTION REGISTER

U-0	U-0	U-0	U-0	R/W-0/0	R/W-1/1	R/W-1/1	R/W-0/0
—	—	—	—	HFFRQ<3:0>			
bit 7				bit 0			

### Legend:

R = Readable bit                      W = Writable bit                      U = Unimplemented bit, read as '0'  
 u = Bit is unchanged                  x = Bit is unknown                  -n/n = Value at POR and BOR/Value at all other Resets  
 '1' = Bit is set                          '0' = Bit is cleared

bit 7-4                      **Unimplemented:** Read as '0'.

bit 3-0                      **HFFRQ<3:0>:** HFINTOSC Frequency Selection bits

HFFRQ<3:0>	Nominal Freq. (MHz) (NOSC = 110)	2xPLL Freq. (MHz) (NOSC = 000)
0000	1	Reserved
0001	2	
0010	Reserved	
0011	4	
0100	8	16
0101	12	24
0110	16	32
0111	32	Reserved
1xxx	32	

# PIC16(L)F18313/18323

## REGISTER 7-7: OSCTUNE: HFINTOSC TUNING REGISTER

U-0	U-0	R/W-0/0	R/W-0/0	R/W-0/0	R/W-0/0	R/W-0/0	R/W-0/0	
—	—	HFTUN<5:0>						
bit 7								bit 0

### Legend:

R = Readable bit

W = Writable bit

U = Unimplemented bit, read as '0'

u = Bit is unchanged

x = Bit is unknown

-n/n = Value at POR and BOR/Value at all other Resets

'1' = Bit is set

'0' = Bit is cleared

f = determined by fuse setting

q = Reset value is determined by hardware

bit 7-6 **Unimplemented:** Read as '0'.

bit 5-0 **HFTUN<5:0>:** HFINTOSC Frequency Tuning bits

01 1111 = Maximum frequency

01 1110

•

•

•

00 0001

00 0000 = Center frequency. Oscillator module is running at the calibrated frequency (default value).

11 1111

•

•

•

10 0000 = Minimum frequency.

# PIC16(L)F18313/18323

**TABLE 7-3: SUMMARY OF REGISTERS ASSOCIATED WITH CLOCK SOURCES**

Name	Bit 7	Bit 6	Bit 5	Bit 4	Bit 3	Bit 2	Bit 1	Bit 0	Register on Page
OSCCON1	—	NOSC<2:0>			NDIV<3:0>				78
OSCCON2	—	COSC<2:0>			CDIV<3:0>				78
OSCCON3	CWSHOLD	SOSCPWR	SOSCBE	ORDY	NOSCR	—	—	—	79
OSCSTAT1	EXTOR	HFOR	—	LFOR	SOR	ADOR	—	PLL	80
OSGEN	EXTOEN	HFOEN	—	LFOEN	SOSCEN	ADOEN	—	—	81
OSCFRQ	—	—	—	—	HFFRQ<3:0>				82
OSCTUNE	—	—	HFTUN<5:0>						83

**Legend:** — = unimplemented location, read as '0'. Shaded cells are not used by clock sources.

**TABLE 7-4: SUMMARY OF CONFIGURATION WORD WITH CLOCK SOURCES**

Name	Bits	Bit -/7	Bit -/6	Bit 13/5	Bit 12/4	Bit 11/3	Bit 10/2	Bit 9/1	Bit 8/0	Register on Page
CONFIG1	13:8	—	—	FCMEN	—	CSWEN	—	—	CLKOUTEN	52
	7:0	—	RSTOSC2	RSTOSC1	RSTOSC0	—	FEXTOSC2	FEXTOSC1	FEXTOSC0	

**Legend:** — = unimplemented location, read as '0'. Shaded cells are not used by clock sources.

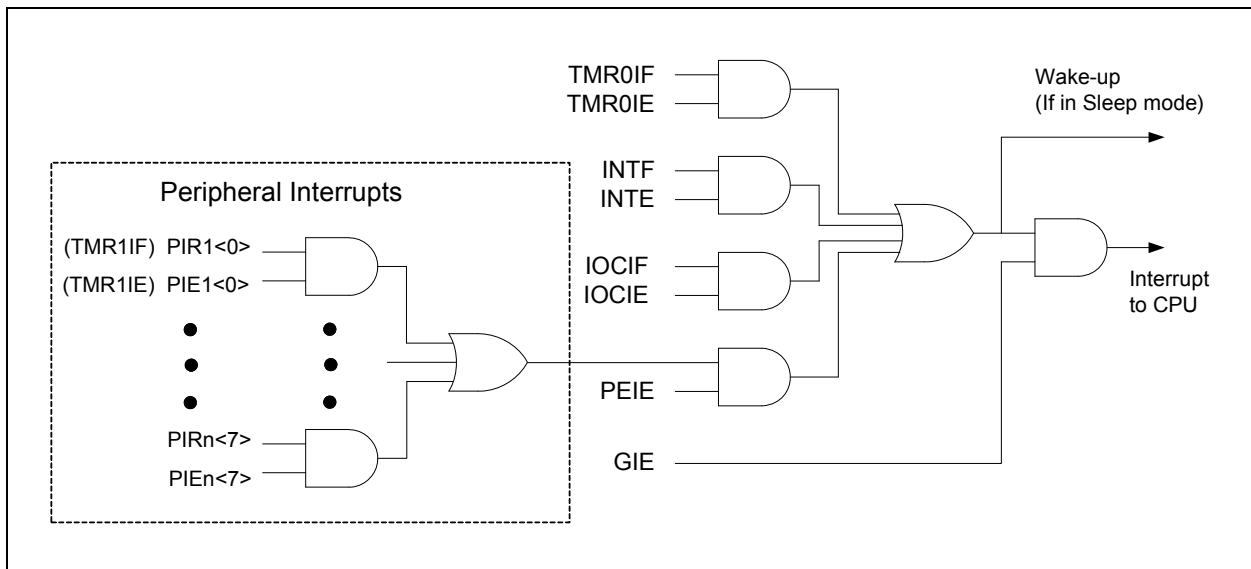
## 8.0 INTERRUPTS

The interrupt feature allows certain events to preempt normal program flow. Firmware is used to determine the source of the interrupt and act accordingly. Some interrupts can be configured to wake the MCU from Sleep mode.

Many peripherals produce interrupts. Refer to the corresponding chapters for details.

A block diagram of the interrupt logic is shown in [Figure 8-1](#).

**FIGURE 8-1: INTERRUPT LOGIC**



# PIC16(L)F18313/18323

---

## 8.1 Operation

Interrupts are disabled upon any device Reset. They are enabled by setting the following bits:

- GIE bit of the INTCON register
- Interrupt Enable bit(s) (PIEx bits) for the specific interrupt event(s)
- PEIE bit of the INTCON register

The PIR1, PIR2, PIR3 and PIR4 registers record individual interrupts via interrupt flag bits. Interrupt flag bits will be set, regardless of the status of the GIE, PEIE and individual interrupt enable bits.

The following events happen when an interrupt event occurs while the GIE bit is set:

- Current prefetched instruction is flushed
- GIE bit is cleared
- Current Program Counter (PC) is pushed onto the stack
- Critical registers are automatically saved to the shadow registers (See “[Section 8.5 “Automatic Context Saving”](#)”)
- PC is loaded with the interrupt vector 0004h

The firmware within the Interrupt Service Routine (ISR) should determine the source of the interrupt by polling the interrupt flag bits. The interrupt flag bits must be cleared before exiting the ISR to avoid repeated interrupts. Because the GIE bit is cleared, any interrupt that occurs while executing the ISR will be recorded through its interrupt flag, but will not cause the processor to redirect to the interrupt vector.

The `RETFIE` instruction exits the ISR by popping the previous address from the stack, restoring the saved context from the shadow registers and setting the GIE bit.

For additional information on a specific interrupt's operation, refer to its peripheral chapter.

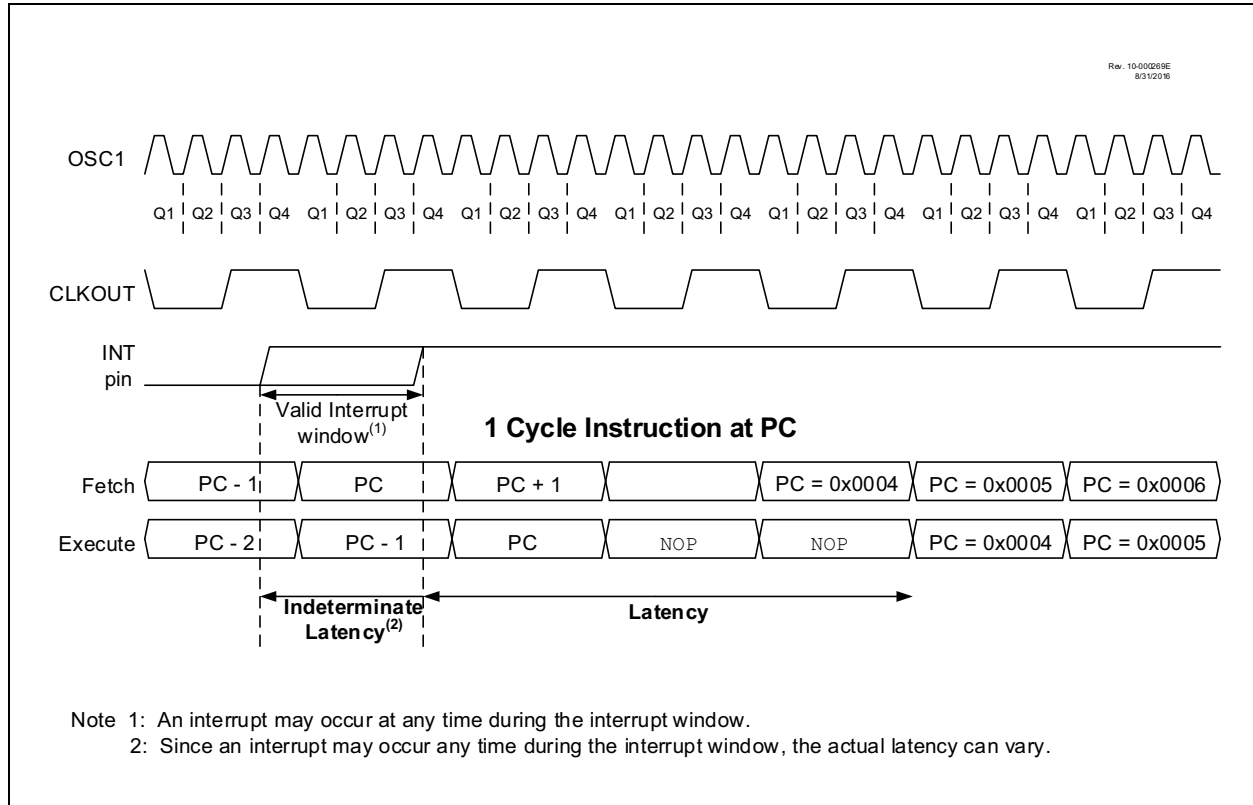
**Note 1:** Individual interrupt flag bits are set, regardless of the state of any other enable bits.

**2:** All interrupts will be ignored while the GIE bit is cleared. Any interrupt occurring while the GIE bit is clear will be serviced when the GIE bit is set again.

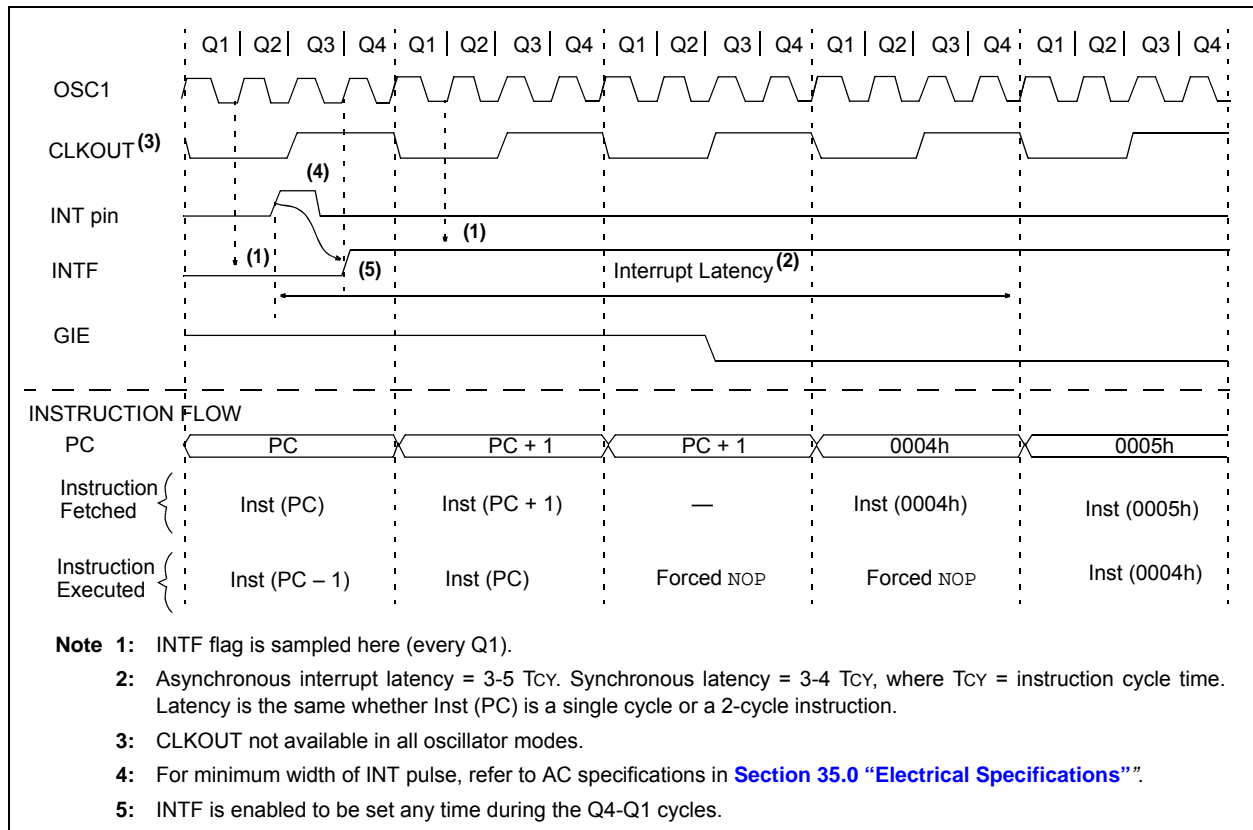
## 8.2 Interrupt Latency

Interrupt latency is defined as the time from when the interrupt event occurs to the time code execution at the interrupt vector begins. The interrupt is sampled during Q1 of the instruction cycle. The actual interrupt latency then depends on the instruction that is executing at the time the interrupt is detected. See [Figure 8-2](#) and [Figure 8-3](#) for more details.

**FIGURE 8-2: INTERRUPT LATENCY**



**FIGURE 8-3: INT PIN INTERRUPT TIMING**



## 8.3 Interrupts During Sleep

All interrupts can be used to wake from Sleep. To wake from Sleep, the peripheral must be able to operate without the system clock. The interrupt source must have the appropriate Interrupt Enable bit(s) set prior to entering Sleep.

On waking from Sleep, if the GIE bit is also set, the processor will branch to the interrupt vector. Otherwise, the processor will continue executing instructions after the `SLEEP` instruction. The instruction directly after the `SLEEP` instruction will always be executed before branching to the ISR. Refer to [Section 9.0 “Power-Saving Operation Modes”](#) for more details.

## 8.4 INT Pin

The INT pin can be used to generate an asynchronous edge-triggered interrupt. This interrupt is enabled by setting the INTE bit of the PIE0 register. The INTEDG bit of the INTCON register determines on which edge the interrupt will occur. When the INTEDG bit is set, the rising edge will cause the interrupt. When the INTEDG bit is clear, the falling edge will cause the interrupt. The INTF bit of the PIR0 register will be set when a valid edge appears on the INT pin. If the GIE and INTE bits are also set, the processor will redirect program execution to the interrupt vector.

## 8.5 Automatic Context Saving

Upon entering an interrupt, the return PC address is saved on the stack. Additionally, the following registers are automatically saved in the shadow registers:

- W register
- STATUS register (except for  $\overline{TO}$  and  $\overline{PD}$ )
- BSR register
- FSR registers
- PCLATH register

Upon exiting the Interrupt Service Routine, these registers are automatically restored. Any modifications to these registers during the ISR will be lost. If modifications to any of these registers are desired, the corresponding shadow register should be modified and the value will be restored when exiting the ISR. The shadow registers are available in Bank 31 and are readable and writable. Depending on the user's application, other registers may also need to be saved.



## 8.6 Register Definitions: Interrupt Control

### REGISTER 8-1: INTCON: INTERRUPT CONTROL REGISTER

R/W/HS/HC-0/0	R/W-0/0	U-0	U-0	U-0	U-0	U-0	R-1/1
GIE	PEIE	—	—	—	—	—	INTEDG
bit 7							bit 0

#### Legend:

R = Readable bit	W = Writable bit	U = Unimplemented bit, read as '0'
u = Bit is unchanged	x = Bit is unknown	-n/n = Value at POR and BOR/Value at all other Resets
'1' = Bit is set	'0' = Bit is cleared	
HS = hardware set	HC = Hardware clear	

- bit 7      **GIE:** Global Interrupt Enable bit  
 1 = Enables all active interrupts  
 0 = Disables all interrupts
- bit 6      **PEIE:** Peripheral Interrupt Enable bit  
 1 = Enables all active peripheral interrupts  
 0 = Disables all peripheral interrupts
- bit 5-1    **Unimplemented:** Read as '0'.
- bit 0      **INTEDG:** Interrupt Edge Select bit  
 1 = Interrupt on rising edge of INT pin  
 0 = Interrupt on falling edge of INT pin

**Note:** Bit PEIE of the INTCON register must be set to enable any peripheral interrupt.

# PIC16(L)F18313/18323

## REGISTER 8-2: PIE0: PERIPHERAL INTERRUPT ENABLE REGISTER 0

U-0	U-0	R/W/HS-0/0	R/W-0/0	U-0	U-0	U-0	R/W/HS-0/0
—	—	TMR0IE	IOIE	—	—	—	INTE
bit 7							bit 0

### Legend:

R = Readable bit	W = Writable bit	U = Unimplemented bit, read as '0'
u = Bit is unchanged	x = Bit is unknown	-n/n = Value at POR and BOR/Value at all other Resets
'1' = Bit is set	'0' = Bit is cleared	HS = Hardware set

bit 7-6 **Unimplemented:** Read as '0'.

bit 5 **TMR0IE:** TMR0 Overflow Interrupt Enable bit  
1 = Enables the TMR0 interrupt  
0 = Disables the TMR0 interrupt

bit 4 **IOIE:** Interrupt-on-Change Interrupt Enable bit  
1 = Enables the IOC change interrupt  
0 = Disables the IOC change interrupt

bit 3-1 **Unimplemented:** Read as '0'.

bit 0 **INTE:** INT External Interrupt Flag bit<sup>(1)</sup>  
1 = Enables the INT external interrupt  
0 = Disables the INT external interrupt

**Note 1:** The external interrupt INT pin is selected by INTPPS ([Register 13-1](#)).

**Note:** Bit PEIE of the INTCON register must be set to enable any peripheral interrupt.

# PIC16(L)F18313/18323

## REGISTER 8-3: PIE1: PERIPHERAL INTERRUPT ENABLE REGISTER 1

R/W-0/0	R/W-0/0	R/W-0/0	R/W-0/0	R/W-0/0	R/W-0/0	R/W-0/0	R/W-0/0
TMR1GIE	ADIE	RCIE	TXIE	SSP1IE	BCL1IE	TMR2IE	TMR1IE
bit 7							bit 0

### Legend:

R = Readable bit

W = Writable bit

U = Unimplemented bit, read as '0'

u = Bit is unchanged

x = Bit is unknown

-n/n = Value at POR and BOR/Value at all other Resets

'1' = Bit is set

'0' = Bit is cleared

- bit 7      **TMR1GIE:** Timer1 Gate Interrupt Enable bit  
1 = Enables the Timer1 gate acquisition interrupt  
0 = Disables the Timer1 gate acquisition interrupt
- bit 6      **ADIE:** Analog-to-Digital Converter (ADC) Interrupt Enable bit  
1 = Enables the ADC interrupt  
0 = Disables the ADC interrupt
- bit 5      **RCIE:** EUSART Receive Interrupt Enable bit  
1 = Enables the EUSART receive interrupt  
0 = Disables the EUSART receive interrupt
- bit 4      **TXIE:** EUSART Transmit Interrupt Enable bit  
1 = Enables the EUSART transmit interrupt  
0 = Disables the EUSART transmit interrupt
- bit 3      **SSP1IE:** Synchronous Serial Port (MSSP) Interrupt Enable bit  
1 = Enables the MSSP interrupt  
0 = Disables the MSSP interrupt
- bit 2      **BCL1IE:** MSSP1 Bus Collision Interrupt Enable bit  
1 = MSSP bus collision interrupt enabled  
0 = MSSP bus collision interrupt not enabled
- bit 1      **TMR2IE:** TMR2 to PR2 Match Interrupt Enable bit  
1 = Enables the Timer2 to PR2 match interrupt  
0 = Disables the Timer2 to PR2 match interrupt
- bit 0      **TMR1IE:** Timer1 Overflow Interrupt Enable bit  
1 = Enables the Timer1 overflow interrupt  
0 = Disables the Timer1 overflow interrupt

**Note:** Bit PEIE of the INTCON register must be set to enable any peripheral interrupt.

# PIC16(L)F18313/18323

## REGISTER 8-4: PIE2: PERIPHERAL INTERRUPT ENABLE REGISTER 2

U-0	R/W-0/0	R/W-0/0	R/W-0/0	U-0	U-0	U-0	R/W-0/0
—	C2IE <sup>(1)</sup>	C1IE	NVMIE	—	—	—	NCO1IE
bit 7							bit 0

### Legend:

R = Readable bit	W = Writable bit	U = Unimplemented bit, read as '0'
u = Bit is unchanged	x = Bit is unknown	-n/n = Value at POR and BOR/Value at all other Resets
'1' = Bit is set	'0' = Bit is cleared	

- bit 7      **Unimplemented:** Read as '0'.
- bit 6      **C2IE:** Comparator C2 Interrupt Enable bit<sup>(1)</sup>  
 1 = Enables the Comparator C2 interrupt  
 0 = Disables the Comparator C2 interrupt
- bit 5      **C1IE:** Comparator C1 Interrupt Enable bit  
 1 = Enables the Comparator C1 interrupt  
 0 = Disables the Comparator C1 interrupt
- bit 4      **NVMIE:** NVM Interrupt Enable Bit  
 1 = NVM task complete interrupt enabled  
 0 = NVM interrupt not enabled
- bit 3-1    **Unimplemented:** Read as '0'.
- bit 0      **NCO1IE:** NCO Interrupt Enable bit  
 1 = NCO rollover interrupt enabled  
 0 = NCO rollover interrupt not enabled

**Note 1:** Comparator C2 not available on PIC16(L)F18313 devices.

**Note:** Bit PEIE of the INTCON register must be set to enable any peripheral interrupt.

# PIC16(L)F18313/18323

## REGISTER 8-5: PIE3: PERIPHERAL INTERRUPT ENABLE REGISTER 3

R/W-0/0	R/W-0/0	U-0	U-0	U-0	U-0	R/W-0/0	R/W-0/0
OSFIE	CSWIE	—	—	—	—	CLC2IE	CLC1IE
bit 7						bit 0	

### Legend:

R = Readable bit	W = Writable bit	U = Unimplemented bit, read as '0'
u = Bit is unchanged	x = Bit is unknown	-n/n = Value at POR and BOR/Value at all other Resets
'1' = Bit is set	'0' = Bit is cleared	

- bit 7      **OSFIE:** Oscillator Fail Interrupt Enable bit.  
 1 = Enables the Oscillator Fail interrupt  
 0 = Disables the Oscillator Fail interrupt
- bit 6      **CSWIE:** Clock Switch Complete Interrupt Enable bit  
 1 = The clock switch module interrupt is enabled  
 0 = The clock switch module interrupt is not enabled
- bit 5-2    **Unimplemented:** Read as '0'.
- bit 1      **CLC2IE:** CLC2 Interrupt Enable bit  
 1 = CLC2 interrupt enabled  
 0 = CLC2 interrupt disabled
- bit 0      **CLC1IE:** CLC1 Interrupt Enable bit  
 1 = CLC1 interrupt enabled  
 0 = CLC1 interrupt disabled

**Note:** Bit PEIE of the INTCON register must be set to enable any peripheral interrupt.

# PIC16(L)F18313/18323

## REGISTER 8-6: PIE4: PERIPHERAL INTERRUPT ENABLE REGISTER 4

U-0	R/W-0/0	U-0	U-0	U-0	U-0	R/W-0/0	R/W-0/0
—	CWG1IE	—	—	—	—	CCP2IE	CCP1IE
bit 7							bit 0

### Legend:

R = Readable bit	W = Writable bit	U = Unimplemented bit, read as '0'
u = Bit is unchanged	x = Bit is unknown	-n/n = Value at POR and BOR/Value at all other Resets
'1' = Bit is set	'0' = Bit is cleared	HS = Hardware set

- bit 7      **Unimplemented:** Read as '0'.
- bit 6      **CWG1IE:** CWG 1 Interrupt Enable bit  
             1 = CWG1 interrupt enabled  
             0 = CWG1 interrupt not enabled
- bit 5-2    **Unimplemented:** Read as '0'.
- bit 1      **CCP2IE:** CCP2 Interrupt Enable bit  
             1 = CCP2 interrupt is enabled  
             0 = CCP2 interrupt is not enabled
- bit 0      **CCP1IE:** CCP1 Interrupt Enable bit  
             1 = CCP1 interrupt is enabled  
             0 = CCP1 interrupt is not enabled

**Note:** Bit PEIE of the INTCON register must be set to enable any peripheral interrupt.

# PIC16(L)F18313/18323

## REGISTER 8-7: PIR0: PERIPHERAL INTERRUPT REQUEST REGISTER 0

U-0	U-0	R/W/HS-0/0	R-0	U-0	U-0	U-0	R/W/HS-0/0
—	—	TMR0IF	IOCIF <sup>(1)</sup>	—	—	—	INTF
bit 7							bit 0

### Legend:

R = Readable bit	W = Writable bit	U = Unimplemented bit, read as '0'
u = Bit is unchanged	x = Bit is unknown	-n/n = Value at POR and BOR/Value at all other Resets
'1' = Bit is set	'0' = Bit is cleared	HS= Hardware Set

bit 7-6 **Unimplemented:** Read as '0'

bit 5 **TMR0IF:** TMR0 Overflow Interrupt Flag bit  
 1 = TMR0 register has overflowed (must be cleared in software)  
 0 = TMR0 register did not overflow

bit 4 **IOCIF:** Interrupt-on-Change Interrupt Flag bit (read-only)  
 1 = An enabled edge was detected by the IOC module. One of the IOCF bits is set.  
 0 = No enabled edge is was detected by the IOC module. None of the IOCF bits is set.  
 Pins are individually masked via IOCxP and IOCxN.

bit 3-1 **Unimplemented:** Read as '0'

bit 0 **INTF:** INT External Interrupt Flag bit<sup>(1)</sup>  
 1 = The INT external interrupt occurred (must be cleared in software)  
 0 = The INT external interrupt did not occur

**Note 1:** The IOCIF bit is the logical OR of all the IOCAF-IOCCF flags. Therefore, to clear the IOCIF flag, application firmware must clear all of the IOCAF-IOCCF register bits.

**Note:** Interrupt flag bits are set when an interrupt condition occurs, regardless of the state of its corresponding enable bit or the Global Enable bit, GIE, of the INTCON register. User software should ensure the appropriate interrupt flag bits are clear prior to enabling an interrupt.

# PIC16(L)F18313/18323

## REGISTER 8-8: PIR1: PERIPHERAL INTERRUPT REQUEST REGISTER 1

R/W/HS-0/0	R/W/HS-0/0	R-0	R-0	R/W/HS-0/0	R/W/HS-0/0	R/W/HS-0/0	R/W/HS-0/0
TMR1GIF	ADIF	RCIF	TXIF	SSP1IF	BCL1IF	TMR2IF	TMR1IF
bit 7							bit 0

### Legend:

R = Readable bit	W = Writable bit	U = Unimplemented bit, read as '0'
u = Bit is unchanged	x = Bit is unknown	-n/n = Value at POR and BOR/Value at all other Resets
'1' = Bit is set	'0' = Bit is cleared	HS = Hardware set

- bit 7      **TMR1GIF:** Timer1 Gate Interrupt Flag bit  
 1 = The Timer1 gate has gone inactive (the gate is closed).  
 0 = The Timer1 gate has not gone inactive.
- bit 6      **ADIF:** Analog-to-Digital Converter (ADC) Interrupt Flag bit  
 1 = The A/D conversion completed  
 0 = The A/D conversion is not completed
- bit 5      **RCIF:** EUSART Receive Interrupt Flag bit (read-only)  
 1 = The EUSART1 receive buffer is not empty  
 0 = The EUSART1 receive buffer is empty
- bit 4      **TXIF:** EUSART Transmit Interrupt Flag bit (read-only)  
 1 = The EUSART1 transmit buffer is empty  
 0 = The EUSART1 transmit buffer is not empty
- bit 3      **SSP1IF:** Synchronous Serial Port (MSSP) Interrupt Flag bit  
 1 = The Transmission/Reception/Bus Condition is complete (must be cleared in software)  
 0 = Waiting for the Transmission/Reception/Bus Condition in progress
- bit 2      **BCL1IF:** MSSP Bus Collision Interrupt Flag bit  
 1 = A bus collision was detected (must be cleared in software)  
 0 = No bus collision was detected
- bit 1      **TMR2IF:** Timer2 to PR2 Interrupt Flag bit  
 1 = TMR2 to PR2 match occurred (must be cleared in software)  
 0 = No TMR2 to PR2 match occurred
- bit 0      **TMR1IF:** Timer1 Overflow Interrupt Flag bit  
 1 = TMR1 overflow occurred (must be cleared in software)  
 0 = No TMR1 overflow occurred

**Note:** Interrupt flag bits are set when an interrupt condition occurs, regardless of the state of its corresponding enable bit or the Global Enable bit, GIE, of the INTCON register. User software should ensure the appropriate interrupt flag bits are clear prior to enabling an interrupt.



# PIC16(L)F18313/18323

## REGISTER 8-9: PIR2: PERIPHERAL INTERRUPT REQUEST REGISTER 2

U-0	R/W/HS-0/0	R/W/HS-0/0	R/W/HS-0/0	U-0	U-0	U-0	R/W/HS-0/0
—	C2IF <sup>(1)</sup>	C1IF	NVMIF	—	—	—	NCO1IF
bit 7							bit 0

### Legend:

R = Readable bit	W = Writable bit	U = Unimplemented bit, read as '0'
u = Bit is unchanged	x = Bit is unknown	-n/n = Value at POR and BOR/Value at all other Resets
'1' = Bit is set	'0' = Bit is cleared	HS = Hardware set

- bit 7      **Unimplemented:** Read as '0'
- bit 6      **C2IF:** Comparator C2 Interrupt Flag bit<sup>(1)</sup>  
             1 = Comparator 2 interrupt asserted  
             0 = Comparator 2 interrupt not asserted
- bit 5      **C1IF:** Comparator C1 Interrupt Flag bit  
             1 = Comparator 1 interrupt asserted  
             0 = Comparator 1 interrupt not asserted
- bit 4      **NVMIF:** NVM Interrupt Flag bit  
             1 = The NVM has completed a programming task  
             0 = NVM interrupt not asserted
- bit 3-1    **Unimplemented:** Read as '0'
- bit 0      **NCO1IF:** NCO Interrupt Flag bit  
             1 = The NCO has rolled over.  
             0 = No NCO interrupt is asserted.

**Note 1:** Comparator C2 not available on PIC16(L)F18313 devices.

**Note:** Interrupt flag bits are set when an interrupt condition occurs, regardless of the state of its corresponding enable bit or the Global Enable bit, GIE, of the INTCON register. User software should ensure the appropriate interrupt flag bits are clear prior to enabling an interrupt.

# PIC16(L)F18313/18323

## REGISTER 8-10: PIR3: PERIPHERAL INTERRUPT REQUEST REGISTER 3

R/W/HS-0/0	R/W/HS-0/0	U-0	U-0	U-0	U-0	R/W/HS-0/0	R/W/HS-0/0
OSFIF	CSWIF	—	—	—	—	CLC2IF	CLC1IF
bit 7							bit 0

### Legend:

R = Readable bit	W = Writable bit	U = Unimplemented bit, read as '0'
u = Bit is unchanged	x = Bit is unknown	-n/n = Value at POR and BOR/Value at all other Resets
'1' = Bit is set	'0' = Bit is cleared	HS = Hardware set

- bit 7      **OSFIF:** Oscillator Fail-Safe Interrupt Flag bit  
1 = Fail-Safe Clock Monitor module has detected a failed oscillator  
0 = External oscillator operating normally.
- bit 6      **CSWIF:** Clock Switch Complete Interrupt Flag bit  
1 = The clock switch module has completed the clock switch; new oscillator is ready  
0 = The clock switch module has not completed clock switch.
- bit 5-2    **Unimplemented:** Read as '0'
- bit 1      **CLC2IF:** CLC2 Interrupt Flag bit  
1 = The CLC2OUT interrupt condition has been met  
0 = No CLC2 interrupt
- bit 0      **CLC1IF:** CLC1 Interrupt Flag bit  
1 = The CLC1OUT interrupt condition has been met  
0 = No CLC1 interrupt

**Note:** Interrupt flag bits are set when an interrupt condition occurs, regardless of the state of its corresponding enable bit or the Global Enable bit, GIE, of the INTCON register. User software should ensure the appropriate interrupt flag bits are clear prior to enabling an interrupt.

# PIC16(L)F18313/18323

## REGISTER 8-11: PIR4: PERIPHERAL INTERRUPT REQUEST REGISTER 4

U-0	R/W/HS-0/0	U-0	U-0	U-0	U-0	R/W/HS-0/0	R/W/HS-0/0
—	CWG1IF	—	—	—	—	CCP2IF	CCP1IF
bit 7						bit 0	

### Legend:

R = Readable bit	W = Writable bit	U = Unimplemented bit, read as '0'
u = Bit is unchanged	x = Bit is unknown	-n/n = Value at POR and BOR/Value at all other Resets
'1' = Bit is set	'0' = Bit is cleared	HS = Hardware set

bit 7 **Unimplemented:** Read as '0'

bit 6 **CWG1IF:** CWG1 Interrupt Flag bit  
 1 = CWG1 has gone into shutdown  
 0 = CWG1 is operating normally, or interrupt cleared

bit 5-2 **Unimplemented:** Read as '0'

bit 1 **CCP2IF:** CCP2 Interrupt Flag bit

Value	CCPM Mode		
	Capture	Compare	PWM
1	Capture occurred (must be cleared in software)	Compare match occurred (must be cleared in software)	Output trailing edge occurred (must be cleared in software)
0	Capture did not occur	Compare match did not occur	Output trailing edge did not occur

bit 0 **CCP1IF:** CCP1 Interrupt Flag bit

Value	CCPM Mode		
	Capture	Compare	PWM
1	Capture occurred (must be cleared in software)	Compare match occurred (must be cleared in software)	Output trailing edge occurred (must be cleared in software)
0	Capture did not occur	Compare match did not occur	Output trailing edge did not occur

**Note:** Interrupt flag bits are set when an interrupt condition occurs, regardless of the state of its corresponding enable bit or the Global Enable bit, GIE, of the INTCON register. User software should ensure the appropriate interrupt flag bits are clear prior to enabling an interrupt.

# PIC16(L)F18313/18323

**TABLE 8-1: SUMMARY OF REGISTERS ASSOCIATED WITH INTERRUPTS**

Name	Bit 7	Bit 6	Bit 5	Bit 4	Bit 3	Bit 2	Bit 1	Bit 0	Register on Page
INTCON	GIE	PEIE	—	—	—	—	—	INTEDG	89
PIE0	—	—	TMR0IE	IOCIE	—	—	—	INTE	90
PIE1	TMR1GIE	ADIE	RCIE	TXIE	SSP1IE	BCL1IE	TMR2IE	TMR1IE	91
PIE2	—	C2IE <sup>(1)</sup>	C1IE	NVMIE	—	—	—	NCO1IE	92
PIE3	OSFIE	CSWIE	—	—	—	—	CLC2IE	CLC1IE	93
PIE4	—	CWG1IE	—	—	—	—	CCP2IE	CCP1IE	94
PIR0	—	—	TMR0IF	IOCIF	—	—	—	INTF	95
PIR1	TMR1GIF	ADIF	RCIF	TXIF	SSP1IF	BCL1IF	TMR2IF	TMR1IF	96
PIR2	—	C2IF <sup>(1)</sup>	C1IF	NVMIF	—	—	—	NCO1IF	97
PIR3	OSFIF	CSWIF	—	—	—	—	CLC2IF	CLC1IF	98
PIR4	—	CWG1IF	—	—	—	—	CCP2IF	CCP1IF	99

**Legend:** — = unimplemented location, read as '0'. Shaded cells are not used by interrupts.

**Note 1:** Comparator C2 not available on PIC16(L)F18313 devices.

## 9.0 POWER-SAVING OPERATION MODES

The purpose of the Power-Down modes is to reduce power consumption. There are three Power-Down modes: DOZE mode, IDLE mode, and Sleep mode.

### 9.1 DOZE Mode

Doze mode allows for power savings by reducing CPU operation and program memory access, without affecting peripheral operation. Doze mode differs from Sleep mode because the system oscillators continue to operate, while only the CPU and program memory are affected. The reduced execution saves power by eliminating unnecessary operations within the CPU and memory.

When the Doze Enable (DOZEN) bit is set (DOZEN = 1), the CPU executes only one instruction cycle out of every N cycles as defined by the DOZE<2:0> bits of the CPUDOZE register. For example, if DOZE<2:0> = 100, the instruction cycle ratio is 1:32. The CPU and memory execute for one instruction cycle and then lay idle for 31 instruction cycles. During the unused cycles, the peripherals continue to operate at the system clock speed.

#### 9.1.1 DOZE OPERATION

The Doze operation is illustrated in Figure 9-1. For this example:

- Doze enable (DOZEN) bit set (DOZEN = 1)
- DOZE<2:0> = 001 (1:4) ratio
- Recover-on-Interrupt (ROI) bit set (ROI = 1)

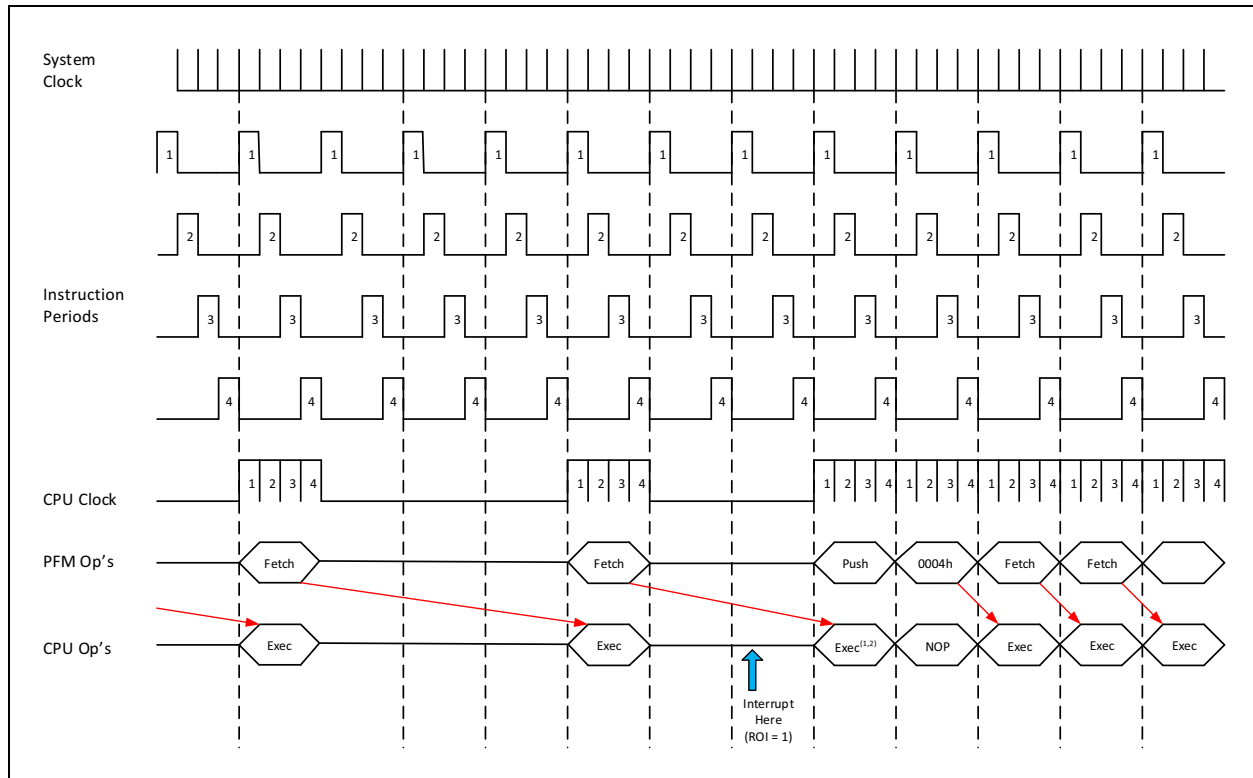
As with normal operation, the program memory fetches for the next instruction cycle. The instruction clocks to the peripherals continue throughout.

#### 9.1.2 INTERRUPTS DURING DOZE

If an interrupt occurs and the Recover-on-Interrupt (ROI) bit is clear (ROI = 0) at the time of the interrupt, the Interrupt Service Routine (ISR) continues to execute at the rate selected by DOZE<2:0>. Interrupt latency is extended by the DOZE<2:0> ratio.

If an interrupt occurs and the ROI bit is set (ROI = 1) at the time of the interrupt, the DOZEN bit is cleared and the CPU executes at full speed. The prefetched instruction is executed and then the interrupt vector sequence is executed. In Figure 9-1, the interrupt occurs during the 2<sup>nd</sup> instruction cycle of the Doze period, and immediately brings the CPU out of Doze. If the Doze-on-Exit (DOE) bit is set (DOE = 1) when the RETFIE operation is executed, DOZEN is set, and the CPU executes at the reduced rate based on the DOZE<2:0> ratio.

**FIGURE 9-1: DOZE MODE OPERATION EXAMPLE**



# PIC16(L)F18313/18323

## 9.2 IDLE Mode

When the IDLE Enable (IDLEN) bit is clear (IDLEN = 0), the SLEEP instruction will put the device into full Sleep mode (see [Section 9.3 “Sleep Mode”](#)). When IDLEN is set (IDLEN = 1), the SLEEP instruction will put the device into IDLE mode. In IDLE mode, the CPU and memory operations are halted, but the peripheral clocks continue to run. This mode is similar to DOZE mode, except that in IDLE both the CPU and program memory are shut off.

**Note:** Peripherals using FOSC will continue running while in IDLE (but not in Sleep). Peripherals using HFINTOSC, LFINTOSC, or SOSC will continue operation in both IDLE and SLEEP.

**Note:** If CLKOUT is enabled (CLKOUT = 0, Configuration Word 1), the output will continue operating while in IDLE.

### 9.2.1 IDLE AND INTERRUPTS

IDLE mode ends when an interrupt occurs (even if GIE = 0), but IDLEN is not changed. The device can re-enter IDLE by executing the SLEEP instruction.

If Recover-on-Interrupt is enabled (ROI = 1), the interrupt that brings the device out of IDLE also restores full-speed CPU execution when DOZE is also enabled.

### 9.2.2 IDLE AND WDT

When in IDLE, the WDT Reset is blocked and will instead wake the device. The WDT wake-up is not an interrupt, therefore ROI does not apply.

**Note:** The WDT can bring the device out of IDLE, in the same way it brings the device out of Sleep. The DOZEN bit is not affected.

## 9.3 Sleep Mode

Sleep mode is entered by executing the SLEEP instruction, while the Idle Enable (IDLEN) bit of the CPUDOZE register is clear (IDLEN = 0). If the SLEEP instruction is executed while the IDLEN bit is set (IDLEN = 1), the CPU will enter the Idle mode ([Section 9.3.3 “Low-Power Sleep Mode”](#)).

Upon entering Sleep mode, the following conditions exist:

1. Resets other than WDT are not affected by Sleep mode; WDT will be cleared but keeps running if enabled for operation during Sleep.
2. The  $\overline{PD}$  bit of the STATUS register is cleared.
3. The  $\overline{TO}$  bit of the STATUS register is set.
4. The CPU and System clocks are disabled.
5. 31 kHz LFINTOSC, HFINTOSC and SOSC will remain enabled if any peripheral has requested them as a clock source or if the HFOEN, LFOEN, or SOSSEN bits of the OSCEN register are set.
6. ADC is unaffected if the dedicated ADCRC oscillator is selected. When the ADC clock source is something other than ADCRC, a SLEEP instruction causes the present conversion to be aborted and the ADC module is turned off, although the ADON bit remains set.
7. I/O ports maintain the status they had before Sleep was executed (driving high, low, or high-impedance) only if no peripheral connected to the I/O port is active.

Refer to individual chapters for more details on peripheral operation during Sleep.

To minimize current consumption, the following conditions should be considered:

- I/O pins should not be floating
- External circuitry sinking current from I/O pins
- Internal circuitry sourcing current from I/O pins
- Current draw from pins with internal weak pull-ups
- Modules using any oscillator

I/O pins that are high-impedance inputs should be pulled to VDD or VSS externally to avoid switching currents caused by floating inputs.

Examples of internal circuitry that might be sourcing current include modules such as the DAC and FVR modules. See [Section 24.0 “5-bit Digital-to-Analog Converter \(DAC1\) Module”](#) and [Section 16.0 “Fixed Voltage Reference \(FVR\)”](#) for more information on these modules.

## 9.3.1 WAKE-UP FROM SLEEP

The device can wake-up from Sleep through one of the following events:

1. External Reset input on  $\overline{\text{MCLR}}$  pin, if enabled
2. BOR Reset, if enabled.
3. POR Reset.
4. Watchdog Timer, if enabled
5. Interrupts by peripherals capable of running during Sleep (see individual peripheral for more information).

The first three events will cause a device Reset. The last two events are considered a continuation of program execution. To determine whether a device Reset or wake-up event occurred, refer to [Section 6.11 “Determining the Cause of a Reset”](#).

The WDT is cleared when the device wakes-up from Sleep, regardless of the source of wake-up.

## 9.3.2 WAKE-UP USING INTERRUPTS

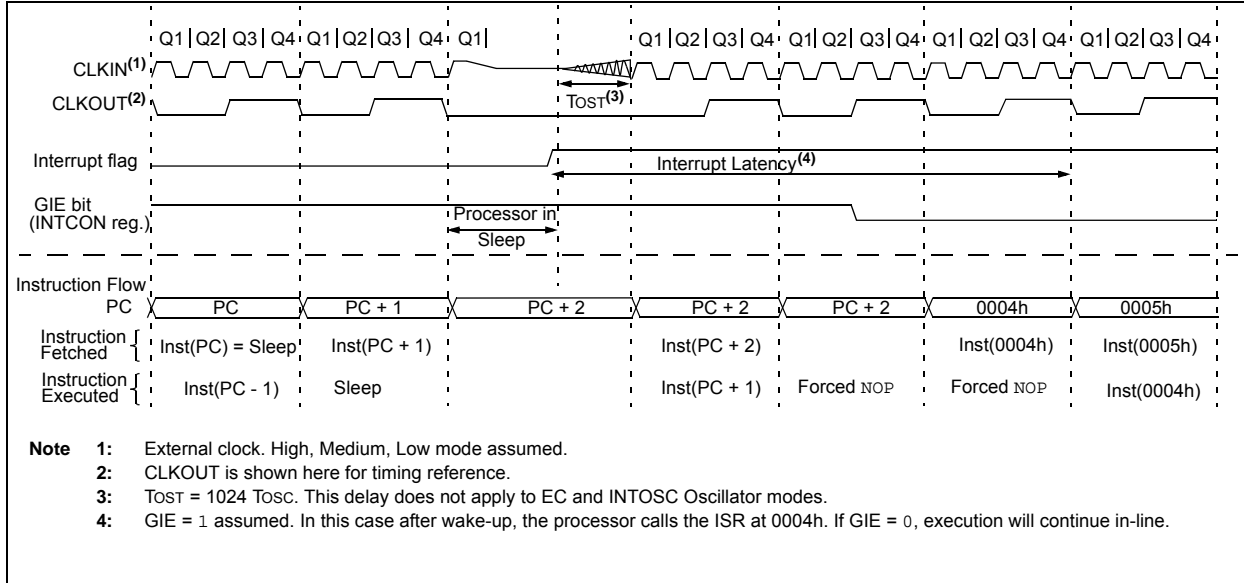
When global interrupts are disabled (GIE cleared) and any interrupt source has both its interrupt enable bit and interrupt flag bit set, one of the following will occur:

- If the interrupt occurs **before** the execution of a `SLEEP` instruction
  - `SLEEP` instruction will execute as a `NOP`
  - WDT and WDT prescaler will not be cleared
  - $\overline{\text{TO}}$  bit of the STATUS register will not be set
  - $\overline{\text{PD}}$  bit of the STATUS register will not be cleared
- If the interrupt occurs **during or after** the execution of a `SLEEP` instruction
  - `SLEEP` instruction will be completely executed
  - Device will immediately wake-up from Sleep
  - WDT and WDT prescaler will be cleared
  - $\overline{\text{TO}}$  bit of the STATUS register will be set
  - $\overline{\text{PD}}$  bit of the STATUS register will be cleared

Even if the flag bits were checked before executing a `SLEEP` instruction, it may be possible for flag bits to become set before the `SLEEP` instruction completes. To determine whether a `SLEEP` instruction executed, test the  $\overline{\text{PD}}$  bit. If the  $\overline{\text{PD}}$  bit is set, the `SLEEP` instruction was executed as a `NOP`.

# PIC16(L)F18313/18323

**FIGURE 9-2: WAKE-UP FROM SLEEP THROUGH INTERRUPT**



## 9.3.3 LOW-POWER SLEEP MODE

The PIC16F18313/18323 device contains an internal Low Dropout (LDO) voltage regulator, which allows the device I/O pins to operate at voltages up to 5.5V while the internal device logic operates at a lower voltage. The LDO and its associated reference circuitry must remain active when the device is in Sleep mode.

The PIC16F18313/18323 allows the user to optimize the operating current in Sleep, depending on the application requirements.

Low-Power Sleep mode can be selected by setting the VREGPM bit of the VREGCON register. Depending on the configuration of this bit, the LDO and reference circuitry are placed in a low-power state when the device is in Sleep.

### 9.3.3.1 Sleep Current vs. Wake-up Time

In the default operating mode, the LDO and reference circuitry remain in the normal configuration while in Sleep. The device is able to exit Sleep mode quickly since all circuits remain active. In Low-Power Sleep mode, when waking-up from Sleep, an extra delay time is required for these circuits to return to the normal configuration and stabilize.

The Low-Power Sleep mode is beneficial for applications that stay in Sleep mode for long periods of time. The Normal mode is beneficial for applications that need to wake from Sleep quickly and frequently.

### 9.3.3.2 Peripheral Usage in Sleep

Some peripherals that can operate in Sleep mode will not operate properly with the Low-Power Sleep mode selected. The Low-Power Sleep mode is intended for use with these peripherals:

- Brown-out Reset (BOR)
- Watchdog Timer (WDT)
- External interrupt pin/Interrupt-on-change pins
- Timer 1 (with external clock source)

It is the responsibility of the end user to determine what is acceptable for their application when setting the VREGPM settings in order to ensure operation in Sleep.

**Note:** The PIC16LF18313/18323 does not have a configurable Low-Power Sleep mode. PIC16LF18313/18323 is an unregulated device and is always in the lowest power state when in Sleep, with no wake-up time penalty. This device has a lower maximum VDD and I/O voltage than the PIC16F18313/18323. See [Section 35.0 “Electrical Specifications”](#) for more information.



# PIC16(L)F18313/18323

## 9.4 Register Definitions: Voltage Regulator Control

### REGISTER 9-1: VREGCON: VOLTAGE REGULATOR CONTROL REGISTER<sup>(1)</sup>

U-0	U-0	U-0	U-0	U-0	U-0	R/W-0/0	R/W-1/1
—	—	—	—	—	—	VREGPM	Reserved
bit 7							bit 0

#### Legend:

R = Readable bit                      W = Writable bit                      U = Unimplemented bit, read as '0'  
u = Bit is unchanged                      x = Bit is unknown                      -n/n = Value at POR and BOR/Value at all other Resets  
'1' = Bit is set                              '0' = Bit is cleared

bit 7-2                      **Unimplemented:** Read as '0'

bit 1                      **VREGPM:** Voltage Regulator Power Mode Selection bit  
1 = Low-Power Sleep mode enabled in Sleep<sup>(2)</sup>; Draws lowest current in Sleep, slower wake-up  
0 = Normal-Power Sleep mode enabled in Sleep<sup>(2)</sup>; Draws higher current in Sleep, faster wake-up

bit 0                      Reserved: Read as '1'. Maintain this bit set.

**Note 1:** PIC16F18313/18323 only.  
**Note 2:** See [Section 35.0 "Electrical Specifications"](#).

### REGISTER 9-2: CPUDOZE: DOZE AND IDLE REGISTER

R/W-0/u	R/W/HC/HS-0/0	R/W-0/0	R/W-0/0	U-0	R/W-0/0	R/W-0/0	R/W-0/0
IDLEN	DOZEN <sup>(1,2)</sup>	ROI	DOE	—	DOZE<2:0>		
bit 7							bit 0

#### Legend:

R = Readable bit                      W = Writable bit                      HS = Hardware Set  
u = Bit is unchanged                      x = Bit is unknown                      U = Unimplemented bit, read as '0'  
'1' = Bit is set                              '0' = Bit is cleared                      -n/n = Value at POR and BOR/Value at all other Resets  
HC = Hardware clear

bit 7                      **IDLEN:** Idle Enable bit  
1 = A SLEEP instruction inhibits the CPU clock, but not the peripheral clock(s)  
0 = A SLEEP instruction places the device into Full-Sleep mode

bit 6                      **DOZEN:** Doze Enable bit<sup>(1,2)</sup>  
1 = The CPU executes instruction cycles according to DOZE setting.  
0 = The CPU executes all instruction cycles (fastest, highest power operation).

bit 5                      **ROI:** Recover-on-Interrupt bit  
1 = Entering the Interrupt Service Routine (ISR) makes DOZEN = 0 bit, bringing the CPU to full-speed operation.  
0 = Interrupt entry does not change DOZEN

bit 4                      **DOE:** Doze-on-Exit bit  
1 = Executing RETFIE makes DOZEN = 1, bringing the CPU to reduced speed operation.  
0 = RETFIE does not change DOZEN

bit 3                      **Unimplemented:** Read as '0'.

bit 2-0                      **DOZE<2:0>:** Ratio of CPU Instruction Cycles to Peripheral Instruction Cycles  
111 = 1:256  
110 = 1:128  
101 = 1:64  
100 = 1:32  
011 = 1:16  
010 = 1:8  
001 = 1:4  
000 = 1:2

**Note 1:** When ROI = 1 or DOE = 1, DOZEN is changed by hardware interrupt entry and/or exit.  
**Note 2:** Entering ICD overrides DOZEN, returning the CPU to full execution speed; this bit is not affected.

# PIC16(L)F18313/18323

**TABLE 9-1: SUMMARY OF REGISTERS ASSOCIATED WITH POWER-DOWN MODE**

Name	Bit 7	Bit 6	Bit 5	Bit 4	Bit 3	Bit 2	Bit 1	Bit 0	Register on Page
INTCON	GIE	PEIE	—	—	—	—	—	INTEDG	89
PIE0	—	—	TMR0IE	IOCFIE	—	—	—	INTE	90
PIE1	TMR1GIE	ADIE	RCIE	TXIE	SSP1IE	BCL1IE	TMR2IE	TMR1IE	91
PIE2	—	C2IE <sup>(1)</sup>	C1IE	NVMIE	—	—	—	NCO1IE	92
PIE3	OSFIE	CSWIE	—	—	—	—	CLC2IE	CLC1IE	93
PIE4	—	CWG1IE	—	—	—	—	CCP2IE	CCP1IE	94
PIR0	—	—	TMR0IF	IOCFIF	—	—	—	INTF	95
PIR1	TMR1GIF	ADIF	RCIF	TXIF	SSP1IF	BCL1IF	TMR2IF	TMR1IF	96
PIR2	—	C2IF <sup>(1)</sup>	C1IF	NVMIF	—	—	—	NCO1IF	97
PIR3	OSFIF	CSWIF	—	—	—	—	CLC2IF	CLC1IF	98
PIR4	—	CWG1IF	—	—	—	—	CCP2IF	CCP1IF	99
IOCAP	—	—	IOCAP5	IOCAP4	IOCAP3	IOCAP2	IOCAP1	IOCAP0	156
IOCAN	—	—	IOCAN5	IOCAN4	IOCAN3	IOCAN2	IOCAN1	IOCAN0	156
IOCAF	—	—	IOCAF5	IOCAF4	IOCAF3	IOCAF2	IOCAF1	IOCAF0	157
IOCCP <sup>(1)</sup>	—	—	IOCCP5	IOCCP4	IOCCP3	IOCCP2	IOCCP1	IOCCP0	158
IOCCN <sup>(1)</sup>	—	—	IOCCN5	IOCCN4	IOCCN3	IOCCN2	IOCCN1	IOCCN0	158
IOCCF <sup>(1)</sup>	—	—	IOCCF5	IOCCF4	IOCCF3	IOCCF2	IOCCF1	IOCCF0	159
STATUS	—	—	—	$\overline{TO}$	$\overline{PD}$	Z	DC	C	24
VREGCON <sup>(2)</sup>	—	—	—	—	—	—	VREGPM	—	105
CPUDOZE	IDLEN	DOZEN	ROI	DOE	—	DOZE<2:0>			105
WDTCON	—	—	WDTPS<4:0>					SWDTEN	109

**Legend:** — = unimplemented location, read as '0'. Shaded cells are not used in Power-Down mode.

**Note 1:** PIC16(L)F18323 only.

**2:** PIC16F18313/18323 only.

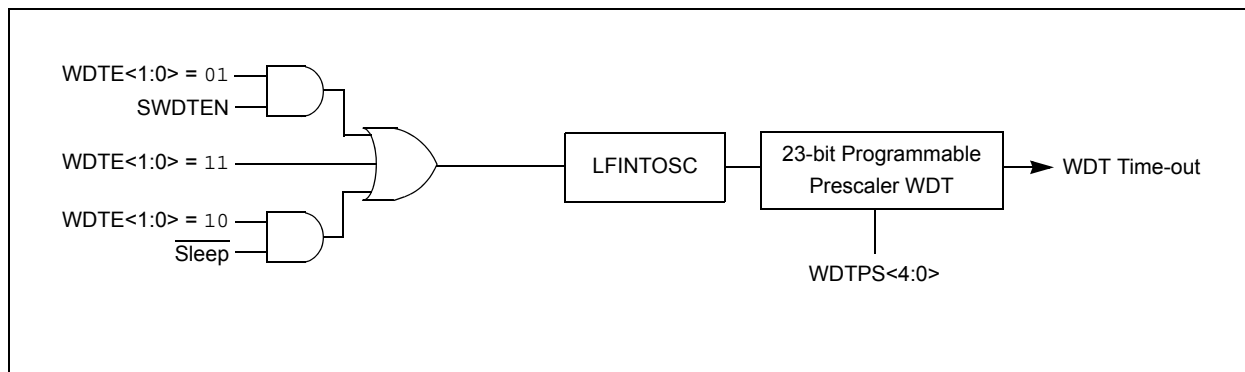
## 10.0 WATCHDOG TIMER (WDT)

The Watchdog Timer is a system timer that generates a Reset if the firmware does not issue a `CLRWDT` instruction within the time-out period. The Watchdog Timer is typically used to recover the system from unexpected events.

The WDT has the following features:

- Independent clock source
- Multiple operating modes
  - WDT is always on
  - WDT is off when in Sleep
  - WDT is controlled by software
  - WDT is always off
- Configurable time-out period is from 1 ms to 256 seconds (nominal)
- Multiple WDT clearing conditions
- Operation during Sleep

**FIGURE 10-1: WATCHDOG TIMER BLOCK DIAGRAM**



# PIC16(L)F18313/18323

## 10.1 Independent Clock Source

The WDT derives its time base from the 31 kHz LFINTOSC internal oscillator. Time intervals in this chapter are based on a nominal interval of 1 ms. See [Table 35-8](#) for the LFINTOSC specification.

## 10.2 WDT Operating Modes

The Watchdog Timer module has four operating modes controlled by the WDTE<1:0> bits in Configuration Words. See [Table 10-1](#).

### 10.2.1 WDT IS ALWAYS ON

When the WDTE bits of Configuration Words are set to '11', the WDT is always on.

WDT protection is active during Sleep.

### 10.2.2 WDT IS OFF IN SLEEP

When the WDTE bits of Configuration Words are set to '10', the WDT is on, except in Sleep.

WDT protection is not active during Sleep.

### 10.2.3 WDT CONTROLLED BY SOFTWARE

When the WDTE bits of Configuration Words are set to '01', the WDT is controlled by the SWDTEN bit of the WDTCON register.

WDT protection is unchanged by Sleep. See [Table 10-1](#) for more details.

### 10.2.4 WDT IS ALWAYS OFF

When the WDTE bits are set to '00', the WDT is disabled, and the SWDTEN bit of the WDTCON is ignored.

**TABLE 10-1: WDT OPERATING MODES**

WDTE<1:0>	SWDTEN	Device Mode	WDT Mode
11	X	X	Active
10	X	Awake	Active
		Sleep	Disabled
01	1	X	Active
	0		Disabled
00	X	X	Disabled

**TABLE 10-2: WDT CLEARING CONDITIONS**

Conditions	WDT
WDTE = 00	Cleared and Disabled
WDTE = 01 and SWDTEN = 0	
Exit Sleep due to a Reset + System Clock = XT, HS, LP	Cleared until the end of OST
Exit Sleep due to a Reset + System Clock = HFINTOSC, LFINTOSC, EC, SOSC	
Exit Sleep due to an interrupt	Cleared
Enter Sleep	
CLRWDT Command	
Oscillator Failure (see <a href="#">Section 7.4 "Fail-Safe Clock Monitor"</a> )	
System Reset	
Any clock switch or divider change (see <a href="#">Section 7.3 "Clock Switching"</a> )	Unaffected

## 10.3 Time-out Period

The WDTPS<4:0> bits of the WDTCON register set the time-out period from 1 ms to 256 seconds (nominal). After a Reset, the default time-out period is two seconds.

## 10.4 Clearing the WDT

The WDT is cleared when any of the following conditions occur:

- Any Reset
- CLRWDT instruction is executed
- Device enters Sleep
- Device wakes up from Sleep due to an interrupt
- Oscillator fail
- WDT is disabled
- Oscillator Start-up Timer (OST) is running

See [Table 10-2](#) for more information.

## 10.5 Operation During Sleep

When the device enters Sleep, the WDT is cleared. If the WDT is enabled during Sleep, the WDT resumes counting.

When the device exits Sleep, the WDT is cleared again. The WDT remains clear until the OST, if enabled, completes. See [Section 7.0 "Oscillator Module"](#) for more information on the OST.

When a WDT time-out occurs while the device is in Sleep, no Reset is generated. Instead, the device wakes up and resumes operation. The TO and PD bits in the STATUS register are changed to indicate the event. See STATUS Register ([Register 4-1](#)) for more information.

# PIC16(L)F18313/18323

## 10.6 Register Definitions: Watchdog Control

### REGISTER 10-1: WDTCON: WATCHDOG TIMER CONTROL REGISTER

U-0	U-0	R/W-0/0	R/W-1/1	R/W-0/0	R/W-1/1	R/W-1/1	R/W-0/0
—	—	WDTPS<4:0> <sup>(1)</sup>					SWDTEN
bit 7							bit 0

#### Legend:

R = Readable bit	W = Writable bit	U = Unimplemented bit, read as '0'
u = Bit is unchanged	x = Bit is unknown	-m/n = Value at POR and BOR/Value at all other Resets
'1' = Bit is set	'0' = Bit is cleared	

bit 7-6 **Unimplemented:** Read as '0'

bit 5-1 **WDTPS<4:0>:** Watchdog Timer Period Select bits<sup>(1)</sup>

Bit Value = Prescale Rate

11111 = Reserved. Results in minimum interval (1:32)

•

•

•

10011 = Reserved. Results in minimum interval (1:32)

10010 = 1:8388608 (2<sup>23</sup>) (Interval 256s nominal)

10001 = 1:4194304 (2<sup>22</sup>) (Interval 128s nominal)

10000 = 1:2097152 (2<sup>21</sup>) (Interval 64s nominal)

01111 = 1:1048576 (2<sup>20</sup>) (Interval 32s nominal)

01110 = 1:524288 (2<sup>19</sup>) (Interval 16s nominal)

01101 = 1:262144 (2<sup>18</sup>) (Interval 8s nominal)

01100 = 1:131072 (2<sup>17</sup>) (Interval 4s nominal)

01011 = 1:65536 (Interval 2s nominal) (Reset value)

01010 = 1:32768 (Interval 1s nominal)

01001 = 1:16384 (Interval 512 ms nominal)

01000 = 1:8192 (Interval 256 ms nominal)

00111 = 1:4096 (Interval 128 ms nominal)

00110 = 1:2048 (Interval 64 ms nominal)

00101 = 1:1024 (Interval 32 ms nominal)

00100 = 1:512 (Interval 16 ms nominal)

00011 = 1:256 (Interval 8 ms nominal)

00010 = 1:128 (Interval 4 ms nominal)

00001 = 1:64 (Interval 2 ms nominal)

00000 = 1:32 (Interval 1 ms nominal)

bit 0 **SWDTEN:** Software Enable/Disable for Watchdog Timer bit

If WDTE<1:0> = 1x:

This bit is ignored.

If WDTE<1:0> = 01:

1 = WDT is turned on

0 = WDT is turned off

If WDTE<1:0> = 00:

This bit is ignored.

**Note 1:** Times are approximate. WDT time is based on 31 kHz LFINTOSC.

# PIC16(L)F18313/18323

**TABLE 10-3: SUMMARY OF REGISTERS ASSOCIATED WITH WATCHDOG TIMER**

Name	Bit 7	Bit 6	Bit 5	Bit 4	Bit 3	Bit 2	Bit 1	Bit 0	Register on Page
STATUS	—	—	—	$\overline{TO}$	$\overline{PD}$	Z	DC	C	24
WDTCON	—	—	WDTPS<4:0>					SWDTEN	109

**Legend:** x = unknown, u = unchanged, — = unimplemented locations read as '0'. Shaded cells are not used by Watchdog Timer.

**TABLE 10-4: SUMMARY OF CONFIGURATION WORD WITH WATCHDOG TIMER**

Name	Bits	Bit -/7	Bit -/6	Bit 13/5	Bit 12/4	Bit 11/3	Bit 10/2	Bit 9/1	Bit 8/0	Register on Page
CONFIG2	13:8	—	—	$\overline{DEBUG}$	STVREN	PPS1WAY	—	BORV	—	53
	7:0	BOREN1	BOREN0	$\overline{LPBOREN}$	—	WDTE1	WDTE0	$\overline{PWRTE}$	MCLRE	

**Legend:** — = unimplemented location, read as '0'. Shaded cells are not used by Watchdog Timer.

## 11.0 NONVOLATILE MEMORY (NVM) CONTROL

NVM is separated into two types: Program Flash Memory and Data EEPROM.

NVM is accessible by using both the FSR and INDF registers, or through the NVMREG register interface.

The write time is controlled by an on-chip timer. The write/erase voltages are generated by an on-chip charge pump rated to operate over the operating voltage range of the device.

NVM can be protected in two ways; by either code protection or write protection.

Code protection ( $\overline{CP}$  and  $\overline{CPD}$  bits in Configuration Word 4) disables access, reading and writing, to both the program Flash memory and EEPROM via external device programmers. Code protection does not affect the self-write and erase functionality. Code protection can only be Reset by a device programmer performing a Bulk Erase to the device, clearing all nonvolatile memory, Configuration bits, and user IDs.

Write protection prohibits self-write and erase to a portion or all of the program Flash memory, as defined by the WRT<1:0> bits of Configuration Word 3. Write protection does not affect a device programmer's ability to read, write, or erase the device.

### 11.1 Program Flash Memory

Program Flash memory consists of 8192 14-bit words as user memory, with additional words for user ID information, Configuration Words, and interrupt vectors. Program Flash memory provides storage locations for:

- User program instructions
- User defined data

Program Flash memory data can be read and/or written to through:

- CPU instruction fetch (read-only)
- FSR/INDF indirect access (read-only) ([Section 11.3 "FSR and INDF Access"](#))
- NVMREG access ([Section 11.4 "NVMREG Access"](#))
- External device programmer

Read operations return a single word of memory. When write and erase operations are done on a row basis, the row size is defined in [Table 11-1](#). Program Flash memory will erase to a logic '1' and program to a logic '0'.

**TABLE 11-1: FLASH MEMORY ORGANIZATION BY DEVICE**

Device	Row Erase (words)	Write Latches (words)
PIC16(L)F18313	32	32
PIC16(L)F18323		

It is important to understand the program Flash memory structure for erase and programming operations. Program Flash memory is arranged in rows. A row consists of 32 14-bit program memory words. A row is the minimum size that can be erased by user software.

All or a portion of a row can be programmed. Data to be written into the program memory row is written to 14-bit wide data write latches. These latches are not directly accessible to the user, but may be loaded via sequential writes to the NVMDATH:NVMDATL register pair.

**Note:** To modify only a portion of a previously programmed row, the contents of the entire row must be read and saved in either RAM or the row's write latches prior to the erase. Then, the new data and retained data can be written into the write latches to reprogram the row of program Flash memory. Any unprogrammed locations can be written without first erasing the row. In this case, it is not necessary to save and rewrite the other previously programmed locations

#### 11.1.1 PROGRAM MEMORY VOLTAGES

The program Flash memory is readable and writable during normal operation over the full VDD range.

##### 11.1.1.1 Programming Externally

The program memory cell and control logic support write and Bulk Erase operations down to the minimum device operating voltage.

##### 11.1.1.2 Self-Programming

The program memory cell and control logic will support write and row erase operations across the entire VDD range. Bulk Erase is not available when self-programming.

# PIC16(L)F18313/18323

---

## 11.2 Data EEPROM

Data EEPROM consists of 256 bytes of user data memory. The EEPROM provides storage locations for 8-bit user defined data.

EEPROM can be read and/or written through:

- FSR/INDF indirect access ([Section 11.3 “FSR and INDF Access”](#))
- NVMREG access ([Section 11.4 “NVMREG Access”](#))
- External device programmer

Unlike program Flash memory, which must be written to by row, EEPROM can be written to byte by byte.

## 11.3 FSR and INDF Access

The FSR and INDF registers allow indirect access to the program Flash memory or EEPROM.

### 11.3.1 FSR READ

With the intended address loaded into an FSR register, a `MOVIW` instruction or read of INDF will read data from the Program Flash Memory or EEPROM. The CPU operation is suspended during the read, and resumes immediately after. Read operations return a single word of memory. When the MSB of the FSR (ex: FSRxH) is set to 0x70, the lower 8-bit address value (in FSRxL) determines the EEPROM location that may be read from (through the INDF register). In other words, the EEPROM address range 0x00-0xFF is mapped into the FSR address space between 0x7000-0x70FF. Writing to the EEPROM cannot be accomplished via the FSR/INDF interface.

### 11.3.2 FSR WRITE

Writing/erasing the NVM through the FSR registers (ex. `MOVWI` instruction) is not supported in the PIC16(L)F18313/18323 devices.



## 11.4 NVMREG Access

The NVMREG interface allows read/write access to all the locations accessible by FSRs, and also read/write access to the user ID locations and EEPROM, and read-only access to the device identification, revision, and Configuration data.

Reading, writing, or erasing of NVM via the NVMREG interface is prevented when the device is code-protected.

### 11.4.1 NVMREG READ OPERATION

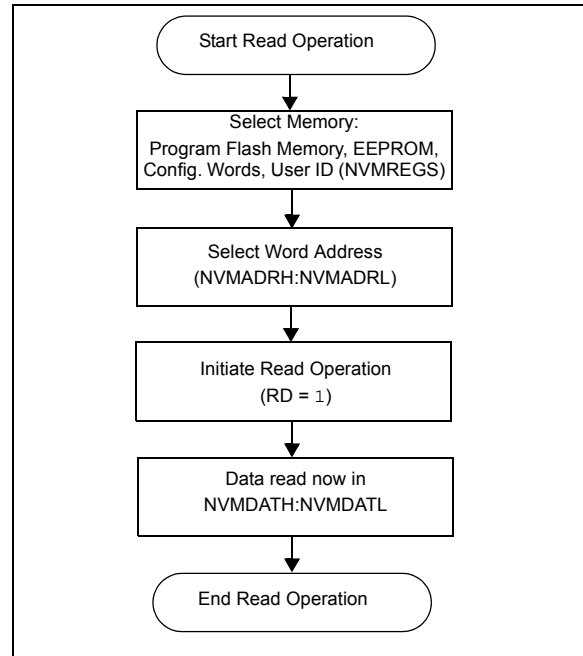
To read a NVM location using the NVMREG interface, the user must:

1. Clear the NVMREGS bit of the NVMCON1 register if the user intends to access program Flash memory locations, or set NVMREGS if the user intends to access user ID, Configuration, or EEPROM locations.
2. Write the desired address into the NVMDATL:NVMDATL register pair (Table 11-2).
3. Set the RD bit of the NVMCON1 register to initiate the read.

Once the read control bit is set, the CPU operation is suspended during the read, and resumes immediately after. The data is available in the very next cycle, in the NVMDATH:NVMDATL register pair; therefore, it can be read as two bytes in the following instructions.

NVMDATH:NVMDATL register pair will hold this value until another read or until it is written to by the user. Upon completion, the RD bit is cleared by hardware.

**FIGURE 11-1: PROGRAM FLASH MEMORY READ FLOWCHART**



### EXAMPLE 11-1: PROGRAM FLASH MEMORY READ

```

* This code block will read 1 word of program
* memory at the memory address:
  PROG_ADDR_HI : PROG_ADDR_LO
* data will be returned in the variables;
* PROG_DATA_HI, PROG_DATA_LO

  BANKSEL  NVMDATL      ; Select Bank for NVMCON registers
  MOVLW    PROG_ADDR_LO ;
  MOVWF    NVMDATL      ; Store LSB of address
  MOVLW    PROG_ADDR_HI ;
  MOVWF    NVMDATH      ; Store MSB of address

  BCF      NVMCON1,NVMREGS ; Do not select Configuration Space
  BSF      NVMCON1,RD      ; Initiate read

  MOVF     NVMDATL,W      ; Get LSB of word
  MOVWF    PROG_DATA_LO   ; Store in user location
  MOVF     NVMDATH,W      ; Get MSB of word
  MOVWF    PROG_DATA_HI   ; Store in user location
  
```

# PIC16(L)F18313/18323

## 11.4.2 NVM UNLOCK SEQUENCE

The unlock sequence is a mechanism that protects the NVM from unintended self-write programming or erasing. The sequence must be executed and completed without interruption to successfully complete any of the following operations:

- Program Flash Memory Row Erase
- Load of Program Flash Memory write latches
- Write of Program Flash Memory write latches to Program Flash Memory memory
- Write of Program Flash Memory write latches to user IDs
- Write to EEPROM

The unlock sequence consists of the following steps and must be completed in order:

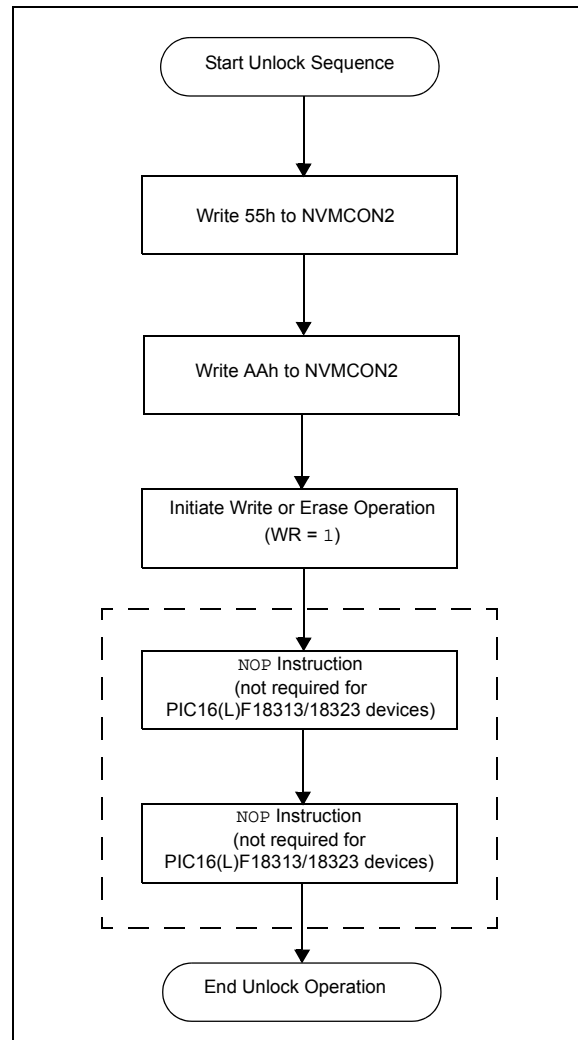
- Write 55h to NVMCON2
- Write AAh to NVMCON2
- Set the WR bit of NVMCON1

Once the WR bit is set, the processor will stall internal operations until the operation is complete and then resume with the next instruction.

**Note:** The two NOP instructions after setting the WR bit, which were required in previous devices, are not required for PIC16(L)F18313/18323 devices. See [Figure 11-2](#).

Since the unlock sequence must not be interrupted, global interrupts should be disabled prior to the unlock sequence and re-enabled after the unlock sequence is completed.

**FIGURE 11-2: NVM UNLOCK SEQUENCE FLOWCHART**



## EXAMPLE 11-2: NVM UNLOCK SEQUENCE

```
BANKSEL      NVMCON1
BSF          NVMCON1,WREN      ; Enable write/erase
MOVLW       55h                ; Load 55h
BCF         INTCON,GIE        ; Recommended so sequence is not interrupted

MOVWF       NVMCON2           ; Step 1: Load 55h into NVMCON2
MOVLW       AAh                ; Step 2: Load W with AAh
MOVWF       NVMCON2           ; Step 3: Load AAh into NVMCON2
BSF         NVMCON1,WR        ; Step 4: Set WR bit to begin write/erase
BSF         INTCON,GIE        ; Re-enable interrupts
```

**Note 1:** Sequence begins when NVMCON2 is written; steps 1-4 must occur in the cycle-accurate order shown.

**2:** Opcodes shown are illustrative; any instruction that has the indicated effect may be used.

## 11.4.3 NVMREG WRITE TO EEPROM

Writing to the EEPROM is accomplished by the following steps:

1. Set the NVMREGS and WREN bits of the NVMCON1 register.
2. Write the desired address (address +7000h) into the NVMADRH:NVMADRL register pair (Table 11-2).
3. Perform the unlock sequence as described in Section 11.4.2 “NVM Unlock Sequence”.

A single EEPROM byte is written with NVMDATA. The operation includes an implicit erase cycle for that byte (it is not necessary to set the FREE bit), and requires many instruction cycles to finish. CPU execution continues in parallel and, when complete, WR is cleared by hardware, NVMIF is set, and an interrupt will occur if NVMIE is also set. Software must poll the WR bit to determine when writing is complete, or wait for the interrupt to occur. WREN will remain unchanged.

Once the EEPROM write operation begins, clearing the WR bit will have no effect; the operation will run to completion.

## 11.4.4 NVMREG ERASE OF PROGRAM FLASH MEMORY

Program Flash memory can only be erased one row at a time. No automatic erase occurs upon the initiation of the write to program Flash memory.

To erase a program Flash memory row:

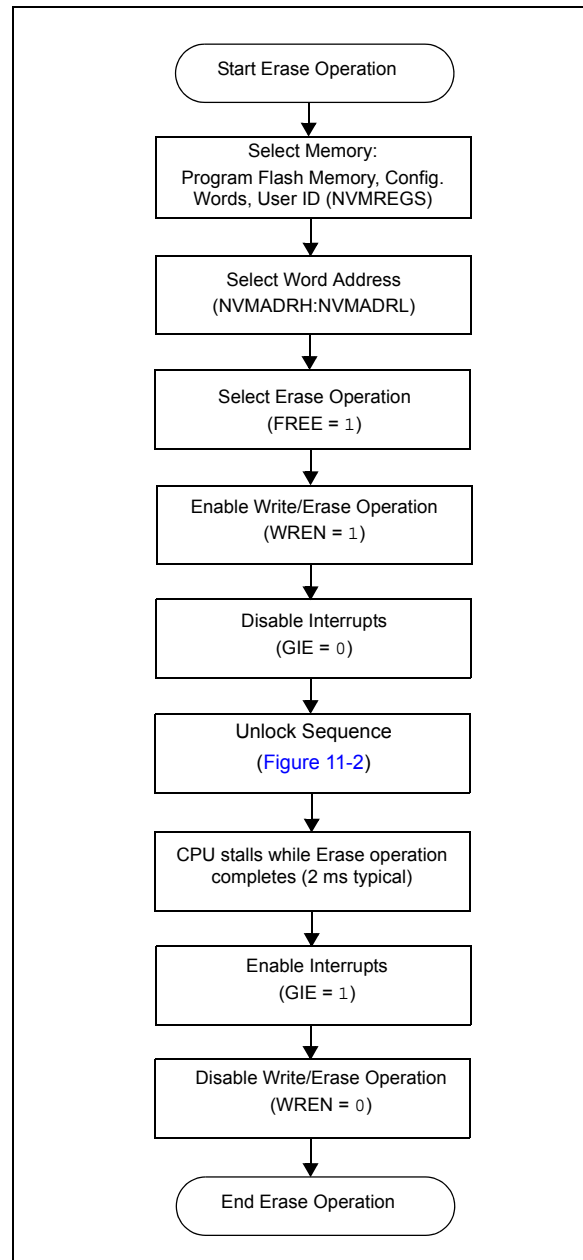
1. Clear the NVMREGS bit of the NVMCON1 register to erase program Flash memory locations, or set the NVMREGS bit to erase user ID locations.
2. Write the desired address into the NVMADRH:NVMADRL register pair (Table 11-2).
3. Set the FREE and WREN bits of the NVMCON1 register.
4. Perform the unlock sequence as described in Section 11.4.2 “NVM Unlock Sequence”.

If the program Flash memory address is write-protected, the WR bit will be cleared and the erase operation will not take place.

While erasing program Flash memory, CPU operation is suspended, and resumes when the operation is complete. Upon completion, the NVMIF is set, and an interrupt will occur if the NVMIE bit is also set.

Write latch data is not affected by erase operations, and WREN will remain unchanged.

**FIGURE 11-3: NVM ERASE FLOWCHART**



# PIC16(L)F18313/18323

## EXAMPLE 11-3: ERASING ONE ROW OF PROGRAM FLASH MEMORY

```

; This sample row erase routine assumes the following:
; 1.A valid address within the erase row is loaded in variables ADDRH:ADDRL
; 2.ADDRH and ADDRL are located in common RAM (locations 0x70 - 0x7F)

BANKSEL    NVMADRL
MOVF       ADDRDL,W
MOVWF     NVMADRL           ; Load lower 8 bits of erase address boundary
MOVF      ADDRH,W
MOVWF     NVMADRH         ; Load upper 6 bits of erase address boundary
BCF       NVMCON1,NVMREGS ; Choose Program Flash Memory area
BSF       NVMCON1,FREE    ; Specify an erase operation
BSF       NVMCON1,WREN    ; Enable writes
BCF       INTCON,GIE      ; Disable interrupts during unlock sequence

; -----REQUIRED UNLOCK SEQUENCE:-----

MOVLW     55h              ; Load 55h to get ready for unlock sequence
MOVWF     NVMCON2          ; First step is to load 55h into NVMCON2
MOVLW     AAh              ; Second step is to load AAh into W
MOVWF     NVMCON2          ; Third step is to load AAh into NVMCON2
BSF       NVMCON1,WR      ; Final step is to set WR bit

; -----

BSF       INTCON,GIE      ; Re-enable interrupts, erase is complete
BCF       NVMCON1,WREN    ; Disable writes
    
```

**TABLE 11-2: NVM ORGANIZATION AND ACCESS INFORMATION**

Master Values			NVMREG Access			FSR Access		
Memory Function	Program Counter (PC), ICSP™ Address	Memory Type	NVMREGS bit (NVMCON1)	NVMADR <14:0>	Allowed Operations	FSR Address	FSR Programming Address	
Reset Vector	0000h	Program Flash Memory	0	0000h	READ WRITE	8000h	READ-ONLY	
User Memory	0001h		0	0001h		8001h		
	0003h		0	0003h		8003h		
INT Vector	0004h		0	0004h		8004h		
User Memory	0005h		0	0005h		8005h		
	17FFh			17FFh		FFFFh		
User ID	No PC Address	Program Flash Memory	1	0000h	READ	No Access		
					0003h			
Reserved		—	—	—	0004h			—
Rev ID			1	0005h	READ			
Device ID			1	0006h				
CONFIG1			1	0007h				
CONFIG2			1	0008h				
CONFIG3			1	0009h				
CONFIG4					000Ah			
User Memory		EEPROM	1	F000h	READ			7000h
			F0FFh	WRITE	70FFh			

## 11.4.5 NVMREG WRITE TO PROGRAM FLASH MEMORY

Program memory is programmed using the following steps:

1. Load the address of the row to be programmed into NVMADRH:NVMADRL.
2. Load each write latch with data.
3. Initiate a programming operation.
4. Repeat steps 1 through 3 until all data is written.

Before writing to program memory, the word(s) to be written must be erased or previously unwritten. Program memory can only be erased one row at a time. No automatic erase occurs upon the initiation of the write.

Program memory can be written one or more words at a time. The maximum number of words written at one time is equal to the number of write latches. See [Figure 11-4](#) (row writes to program memory with 32 write latches) for more details.

The write latches are aligned to the Flash row address boundary defined by the upper ten bits of NVMADRH:NVMADRL, (NVMADRH<6:0>:NVMADRL<7:5>) with the lower five bits of NVMADRL, (NVMADRL<4:0>) determining the write latch being loaded. Write operations do not cross these boundaries. At the completion of a program memory write operation, the data in the write latches is reset to contain 0x3FFF.

The following steps should be completed to load the write latches and program a row of program memory. These steps are divided into two parts. First, each write latch is loaded with data from the NVMDATH:NVMDATL using the unlock sequence with LWLO = 1. When the last word to be loaded into the write latch is ready, the LWLO bit is cleared and the unlock sequence executed. This initiates the programming operation, writing all the latches into Flash program memory.

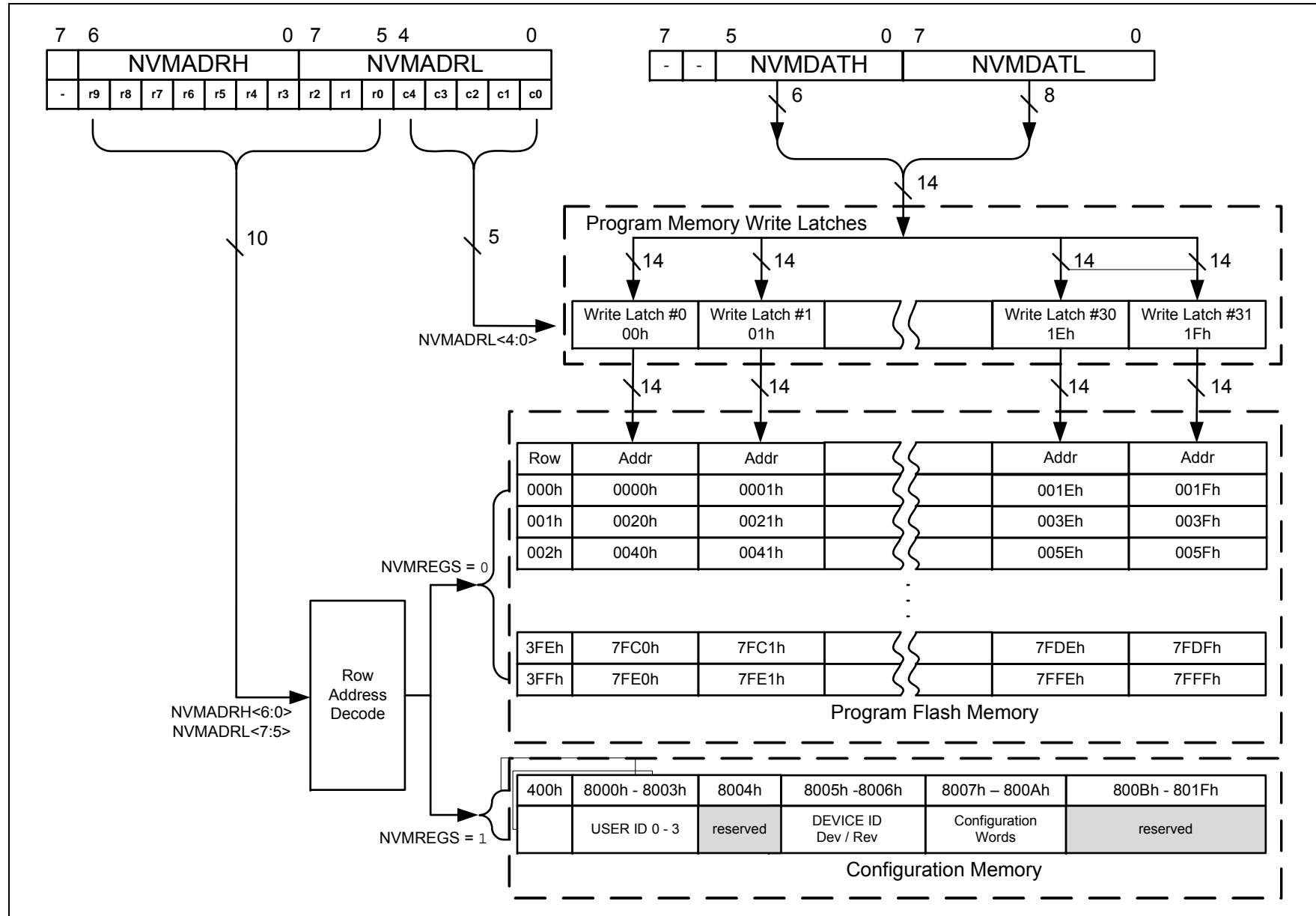
**Note:** The special unlock sequence is required to load a write latch with data or initiate a Flash programming operation. If the unlock sequence is interrupted, writing to the latches or program memory will not be initiated.

1. Set the WREN bit of the NVMCON1 register.
2. Clear the NVMREGS bit of the NVMCON1 register.
3. Set the LWLO bit of the NVMCON1 register. When the LWLO bit of the NVMCON1 register is '1', the write sequence will only load the write latches and will not initiate the write to Flash program memory.
4. Load the NVMADRH:NVMADRL register pair with the address of the location to be written.
5. Load the NVMDATH:NVMDATL register pair with the program memory data to be written.
6. Execute the unlock sequence ([Section 11.4.2 "NVM Unlock Sequence"](#)). The write latch is now loaded.
7. Increment the NVMADRH:NVMADRL register pair to point to the next location.
8. Repeat steps 5 through 7 until all but the last write latch has been loaded.
9. Clear the LWLO bit of the NVMCON1 register. When the LWLO bit of the NVMCON1 register is '0', the write sequence will initiate the write to Flash program memory.
10. Load the NVMDATH:NVMDATL register pair with the program memory data to be written.
11. Execute the unlock sequence ([Section 11.4.2 "NVM Unlock Sequence"](#)). The entire program memory latch content is now written to Flash program memory.

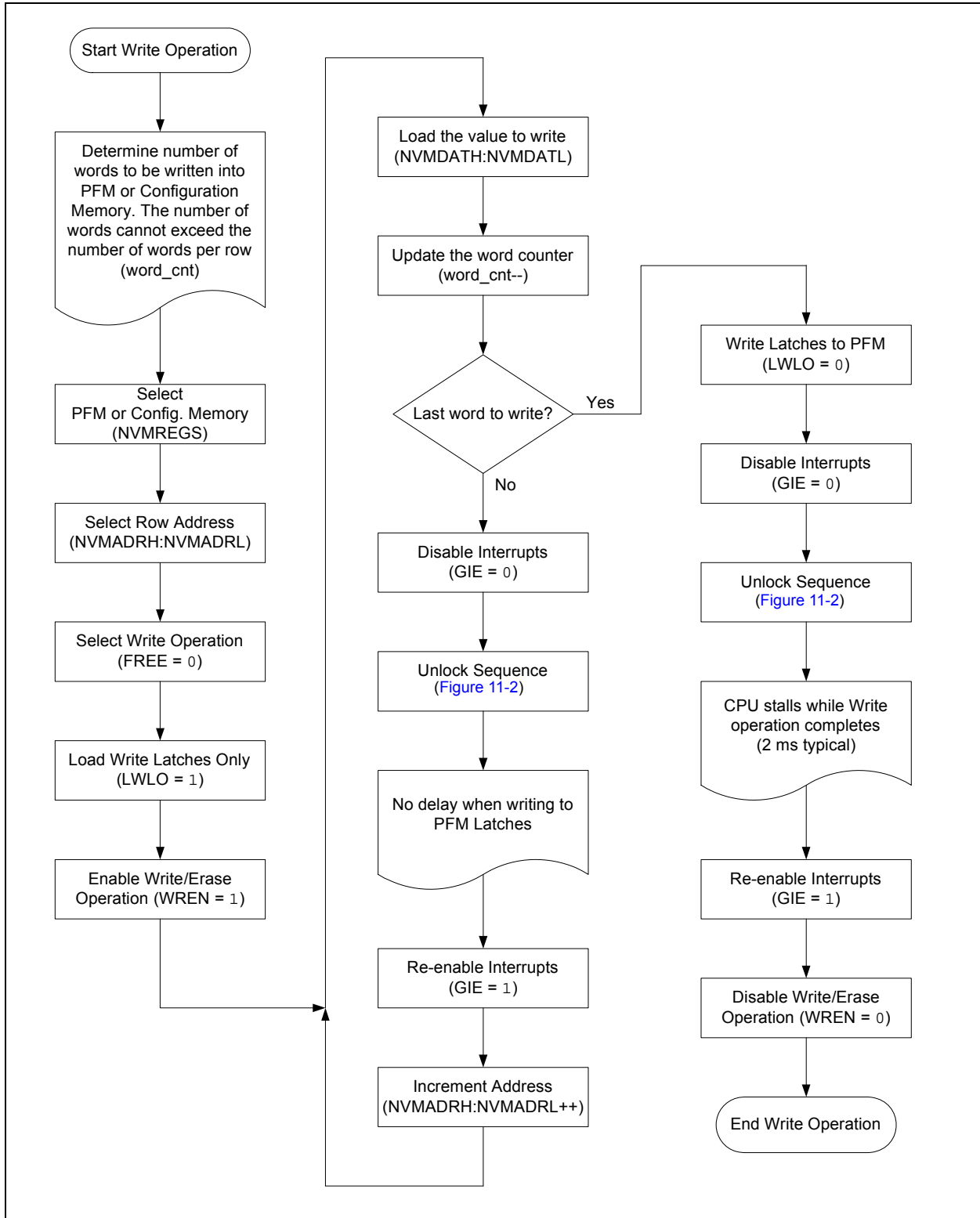
**Note:** The program memory write latches are reset to the blank state (0x3FFF) at the completion of every write or erase operation. As a result, it is not necessary to load all the program memory write latches. Unloaded latches will remain in the blank state.

An example of the complete write sequence is shown in [Example 11-4](#). The initial address is loaded into the NVMADRH:NVMADRL register pair; the data is loaded using indirect addressing.

**FIGURE 11-4: BLOCK WRITES TO PROGRAM FLASH MEMORY WITH 32 WRITE LATCHES**



**FIGURE 11-5: PROGRAM FLASH MEMORY WRITE FLOWCHART**



# PIC16(L)F18313/18323

## EXAMPLE 11-4: WRITING TO PROGRAM FLASH MEMORY

```
; This write routine assumes the following:
; 1. 32 words of data are loaded, starting at the address in DATA_ADDR
; 2. Each word of data to be written is made up of two adjacent bytes in DATA_ADDR,
;    stored in little endian format
; 3. A valid starting address (the least significant bits = 00000) is loaded in ADDRH:ADDRL
; 4. ADDRH and ADDRL are located in common RAM (locations 0x70 - 0x7F)
; 5. NVM interrupts are not taken into account

        BANKSEL      NVMADRH
        MOVF          ADDRH,W
        MOVWF        NVMADRH          ; Load initial address
        MOVF          ADDRL,W
        MOVWF        NVMADRL
        MOVLW        LOW DATA_ADDR   ; Load initial data address
        MOVWF        FSR0L
        MOVLW        HIGH DATA_ADDR
        MOVWF        FSR0H
        BCF          NVMCON1,NVMREGS  ; Set Program Flash Memory as write location
        BSF          NVMCON1,WREN     ; Enable writes
        BSF          NVMCON1,LWLO     ; Load only write latches

LOOP
        MOVIW        FSR0++
        MOVWF        NVMDATL         ; Load first data byte
        MOVIW        FSR0++
        MOVWF        NVMDATH         ; Load second data byte

        MOVF          NVMADRL,W
        XORLW        0x1F             ; Check if lower bits of address are 00000
        ANDLW        0x1F             ; and if on last of 32 addresses
        BTFSC        STATUS,Z         ; Last of 32 words?
        GOTO         START_WRITE      ; If so, go write latches into memory

        CALL         UNLOCK_SEQ       ; If not, go load latch
        INCF         NVMADRL,F        ; Increment address
        GOTO         LOOP

START_WRITE
        BCF          NVMCON1,LWLO     ; Latch writes complete, now write memory
        CALL         UNLOCK_SEQ       ; Perform required unlock sequence
        BCF          NVMCON1,LWLO     ; Disable writes

UNLOCK_SEQ
        MOVLW        55h
        BCF          INTCON,GIE       ; Disable interrupts
        MOVWF        NVMCON2         ; Begin unlock sequence
        MOVLW        AAh
        MOVWF        NVMCON2
        BSF          NVMCON1,WR
        BSF          INTCON,GIE       ; Unlock sequence complete, re-enable interrupts
        return
```

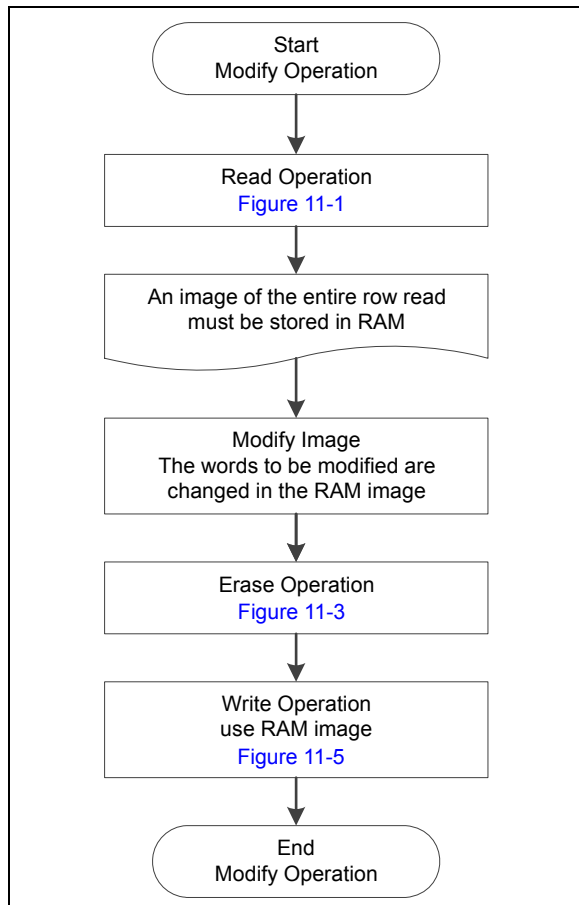


## 11.4.6 MODIFYING PROGRAM FLASH MEMORY

When modifying existing data in a program memory row, and data within that row must be preserved, it must first be read and saved in a RAM image. Program memory is modified using the following steps:

1. Load the starting address of the row to be modified.
2. Read the existing data from the row into a RAM image.
3. Modify the RAM image to contain the new data to be written into program memory.
4. Load the starting address of the row to be rewritten.
5. Erase the program memory row.
6. Load the write latches with data from the RAM image.
7. Initiate a programming operation.

**FIGURE 11-6: PROGRAM FLASH MEMORY MODIFY FLOWCHART**



# PIC16(L)F18313/18323

---

## 11.4.7 NVMREG EEPROM, USER ID, DEVICE ID AND CONFIGURATION WORD ACCESS

Instead of accessing program Flash memory, the EEPROM, the user ID's, Device ID/Revision ID and Configuration Words can be accessed when NVMREGS = 1 in the NVMCON1 register. This is the region that would be pointed to by PC<15> = 1, but not all addresses are accessible. Different access may exist for reads and writes. Refer to [Table 11-3](#).

When read access is initiated on an address outside the parameters listed in [Table 11-3](#), the NVMDATH: NVMDATL register pair is cleared, reading back '0's.

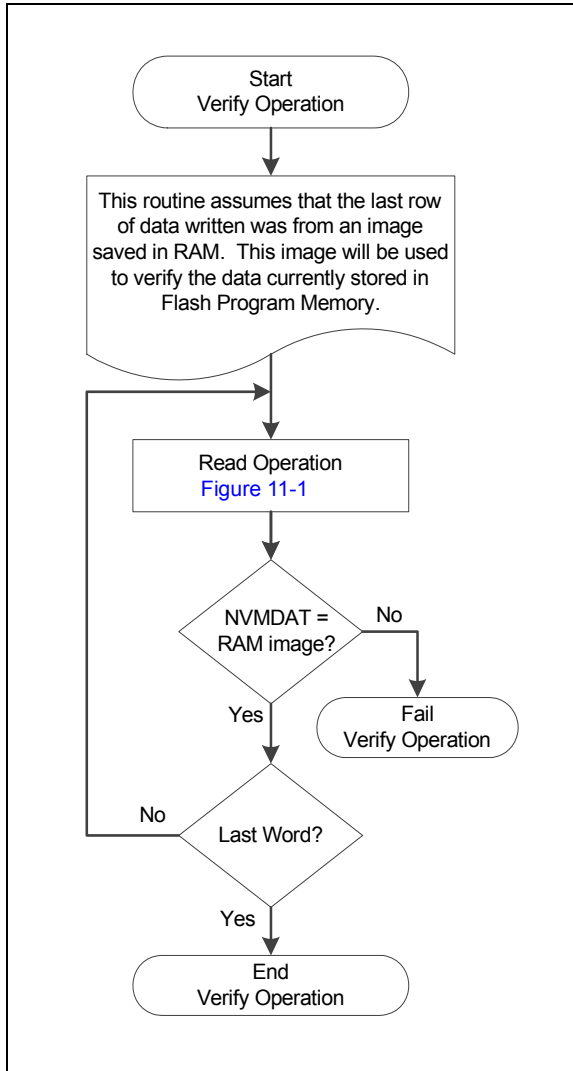
**TABLE 11-3: EEPROM, USER ID, DEV/REV ID AND CONFIGURATION WORD ACCESS (NVMREGS = 1)**

Address	Function	Read Access	Write Access
8000h-8003h	User IDs	Yes	Yes
8005h-8006h	Device ID/Revision ID	Yes	No
8007h-800Ah	Configuration Words 1-4	Yes	No
F000h-F0FFh	EEPROM	Yes	Yes

## 11.4.8 WRITE VERIFY

It is considered good programming practice to verify that program memory writes agree with the intended value. Since program memory is stored as a full row, then the stored program memory contents are compared with the intended data stored in RAM after the last write is complete.

**FIGURE 11-7: PROGRAM FLASH MEMORY VERIFY FLOWCHART**



# PIC16(L)F18313/18323

## 11.4.9 WRERR BIT

The WRERR bit can be used to determine if a write error occurred.

WRERR will be set if one of the following conditions occurs:

- If WR is set while the NVMADRH:NMVADRL points to a write-protected address
- A Reset occurs while a self-write operation was in progress
- An unlock sequence was interrupted

The WRERR bit is normally set by hardware, but can be set by the user for test purposes. Once set, WRERR must be cleared in software.

**TABLE 11-4: ACTIONS FOR PROGRAM FLASH MEMORY WHEN WR = 1**

Free	LWLO	Actions for Program Flash Memory when WR = 1	Comments
0	0	Write the write latch data to program Flash memory row. See <a href="#">Section 11.4.4 “NVMREG Erase of Program Flash Memory”</a>	<ul style="list-style-type: none"><li>• If WP is enabled, WR is cleared and WRERR is set</li><li>• Write latches are reset to 3FFh</li><li>• NVMDATH:NVMDATL is ignored</li></ul>
0	1	Copy NVMDATH:NVMDATL to the write latch corresponding to NVMADR LSBs. See <a href="#">Section 11.4.4 “NVMREG Erase of Program Flash Memory”</a>	<ul style="list-style-type: none"><li>• Write protection is ignored</li><li>• No memory access occurs</li></ul>
1	x	Erase the 32-word row of NVMADRH:NMVADRL location. See <a href="#">Section 11.4.3 “NVMREG Write to EEPROM”</a>	<ul style="list-style-type: none"><li>• If WP is enabled, WR is cleared and WRERR is set</li><li>• All 32 words are erased</li><li>• NVMDATH:NVMDATL is ignored</li></ul>

## 11.5 Register Definitions: Program Flash Memory Control

### REGISTER 11-1: NVMDATL: NONVOLATILE MEMORY DATA LOW BYTE REGISTER

R/W-0/0	R/W-0/0	R/W-0/0	R/W-0/0	R/W-0/0	R/W-0/0	R/W-0/0	R/W-0/0
NVMDAT<7:0>							
bit 7							bit 0

**Legend:**

R = Readable bit                      W = Writable bit                      U = Unimplemented bit, read as '0'  
u = Bit is unchanged                  x = Bit is unknown                  -n/n = Value at POR and BOR/Value at all other Resets  
'1' = Bit is set                          '0' = Bit is cleared

bit 7-0                  **NVMDAT<7:0>**: Read/write value for Least Significant bits of program memory

### REGISTER 11-2: NVMDATH: NONVOLATILE MEMORY DATA HIGH BYTE REGISTER

U-0	U-0	R/W-0/0	R/W-0/0	R/W-0/0	R/W-0/0	R/W-0/0	R/W-0/0
—	—	NVMDAT<13:8>					
bit 7							bit 0

**Legend:**

R = Readable bit                      W = Writable bit                      U = Unimplemented bit, read as '0'  
u = Bit is unchanged                  x = Bit is unknown                  -n/n = Value at POR and BOR/Value at all other Resets  
'1' = Bit is set                          '0' = Bit is cleared

bit 7-6                  **Unimplemented**: Read as '0'

bit 5-0                  **NVMDAT<13:8>**: Read/write value for Most Significant bits of program memory<sup>(1)</sup>

**Note 1:** This byte is ignored when writing to EEPROM.

### REGISTER 11-3: NVMADR<sub>L</sub>: NONVOLATILE MEMORY ADDRESS LOW BYTE REGISTER

R/W-0/0	R/W-0/0	R/W-0/0	R/W-0/0	R/W-0/0	R/W-0/0	R/W-0/0	R/W-0/0
NVMADR<7:0>							
bit 7							bit 0

**Legend:**

R = Readable bit                      W = Writable bit                      U = Unimplemented bit, read as '0'  
u = Bit is unchanged                  x = Bit is unknown                  -n/n = Value at POR and BOR/Value at all other Resets  
'1' = Bit is set                          '0' = Bit is cleared

bit 7-0                  **NVMADR<7:0>**: Specifies the Least Significant bits for program memory address

### REGISTER 11-4: NVMADR<sub>H</sub>: NONVOLATILE MEMORY ADDRESS HIGH BYTE REGISTER

U-1	R/W-0/0	R/W-0/0	R/W-0/0	R/W-0/0	R/W-0/0	R/W-0/0	R/W-0/0
—	NVMADR<14:8>						
bit 7							bit 0

**Legend:**

R = Readable bit                      W = Writable bit                      U = Unimplemented bit, read as '0'  
u = Bit is unchanged                  x = Bit is unknown                  -n/n = Value at POR and BOR/Value at all other Resets  
'1' = Bit is set                          '0' = Bit is cleared

bit 7                      **Unimplemented**: Read as '1'

bit 6-0                  **NVMADR<14:8>**: Specifies the Most Significant bits for program memory address

# PIC16(L)F18313/18323

## REGISTER 11-5: NVMCON1: NONVOLATILE MEMORY CONTROL 1 REGISTER

U-0	R/W-0/0	R/W-0/0	R/W/HC-0/0	R/W/HS-x/q	R/W-0/0	R/S/HC-0/0	R/S/HC-0/0
—	NVMREGS	LWLO	FREE	WRERR	WREN	WR	RD
bit 7							bit 0

<b>Legend:</b> q = Reset value is determined by hardware	HS = Hardware set
R = Readable bit	W = Writable bit
S = Bit can only be set	x = Bit is unknown
'1' = Bit is set	'0' = Bit is cleared
	U = Unimplemented bit, read as '0'
	-n/n = Value at POR and BOR/Value at all other Resets
	HC = Bit is cleared by hardware

- bit 7      **Unimplemented:** Read as '0'
- bit 6      **NVMREGS:** Configuration Select bit  
 1 = Access EEPROM, Configuration, user ID and device ID registers  
 0 = Access program Flash memory
- bit 5      **LWLO:** Load Write Latches Only bit  
 When FREE = 0:  
 1 = The next WR command updates the write latch for this word within the row; no memory operation is initiated.  
 0 = The next WR command writes data or erases.  
 Otherwise: The bit is ignored.
- bit 4      **FREE:** Program Flash Memory Erase Enable bit  
 When NVMREGS:NVMADR points to a program Flash memory location:  
 1 = Performs an erase operation with the next WR command; the row containing the indicated address is erased (to all 1s) to prepare for writing.  
 0 = All erase operations have completed normally
- bit 3      **WRERR:** Program/Erase Error Flag bit <sup>(1,2,3)</sup>  
 1 = A write operation was interrupted by a Reset, interrupted unlock sequence, or WR was written to one while NVMADR points to a write-protected address.  
 0 = The program or erase operation completed normally
- bit 2      **WREN:** Program/Erase Enable bit  
 1 = Allows program/erase cycles  
 0 = Inhibits programming/erasing of program Flash
- bit 1      **WR:** Write Control bit<sup>(4,5,6)</sup>  
 When NVMREG:NVMADR points to a EEPROM location:  
 1 = Initiates an erase/program cycle at the corresponding EEPROM location  
 0 = NVM program/erase operation is complete and inactive  
 When NVMREG:NVMADR points to a program Flash memory location:  
 1 = Initiates the operation indicated by [Table 11-5](#)  
 0 = NVM program/erase operation is complete and inactive
- bit 0      **RD:** Read Control bit<sup>(7)</sup>  
 1 = Initiates a read at address = NVMADR1, and loads data to NVMDAT Read takes one instruction cycle and the bit is cleared when the operation is complete. The bit can only be set (not cleared) in software.  
 0 = NVM read operation is complete and inactive.

- Note 1:** Bit may change while WR = 1 (during the EEPROM write operation it may be '0' or '1').
- 2:** Bit must be cleared by software; hardware will not clear this bit.
- 3:** Bit may be written to '1' by software in order to implement test sequences.
- 4:** This bit can only be set by following the unlock sequence of [Section 11.4.2 "NVM Unlock Sequence"](#).
- 5:** Operations are self-timed, and the WR bit is cleared by hardware when complete.
- 6:** Once a write operation is initiated, setting this bit to zero will have no effect.
- 7:** Reading from EEPROM loads only NVMDATL<7:0> ([Register 11-1](#)).

# PIC16(L)F18313/18323

**REGISTER 11-6: NVMCON2: NONVOLATILE MEMORY CONTROL 2 REGISTER**

W-0/0	W-0/0	W-0/0	W-0/0	W-0/0	W-0/0	W-0/0	W-0/0
NVMCON2							
bit 7							bit 0

**Legend:**

R = Readable bit	W = Writable bit	U = Unimplemented bit, read as '0'
S = Bit can only be set	x = Bit is unknown	-n/n = Value at POR and BOR/Value at all other Resets
'1' = Bit is set	'0' = Bit is cleared	

bit 7-0

**NVMCON2<7:0>: Flash Memory Unlock Pattern bits**

To unlock writes, a 55h must be written first, followed by an AAh, before setting the WR bit of the NVMCON1 register. The value written to this register is used to unlock the writes.

**TABLE 11-5: SUMMARY OF REGISTERS ASSOCIATED WITH NONVOLATILE MEMORY (NVM)**

Name	Bit 7	Bit 6	Bit 5	Bit 4	Bit 3	Bit 2	Bit 1	Bit 0	Register on Page
INTCON	GIE	PEIE	—	—	—	—	—	INTEDG	89
PIR2	—	C2IF <sup>(2)</sup>	C1IF	NVMIF	—	—	—	NCO1IF	97
PIE2	—	C2IE <sup>(2)</sup>	C1IE	NVMIE	—	—	—	NCO1IE	92
NVMCON1	—	NVMREGS	LWLO	FREE	WRERR	WREN	WR	RD	126
NVMCON2	NVMCON2								127
NVMADRL	NVMADR<7:0>								125
NVMADRH	— <sup>(1)</sup>	NVMADR<14:8>							125
NVMDATL	NVMDAT<7:0>								125
NVMDATH	—	—	NVMDAT<13:8>						125

**Legend:** — = unimplemented location, read as '0'. Shaded cells are not used by NVM.

**Note 1:** Unimplemented, read as '1'.

**2:** PIC16(L)F18323 only.

**TABLE 11-6: SUMMARY OF CONFIGURATION WORD WITH NONVOLATILE MEMORY (NVM)**

Name	Bits	Bit -/7	Bit -/6	Bit 13/5	Bit 12/4	Bit 11/3	Bit 10/2	Bit 9/1	Bit 8/0	Register on Page
CONFIG3	13:8	—	—	LVP	—	—	—	—	—	54
	7:0	—	—	—	—	—	—	WRT<1:0>		
CONFIG4	13:8	—	—	—	—	—	—	—	—	55
	7:0	—	—	—	—	—	—	CPD	CP	

**Legend:** — = unimplemented location, read as '0'. Shaded cells are not used by NVM.

# PIC16(L)F18313/18323

## 12.0 I/O PORTS

TABLE 12-1: PORT AVAILABILITY PER DEVICE

Device	PORTA	PORTC
PIC16(L)F18313	•	
PIC16(L)F18323	•	•

Each port has ten standard registers for its operation. These registers are:

- PORTx registers (reads the levels on the pins of the device)
- LATx registers (output latch)
- TRISx registers (data direction)
- ANSELx registers (analog select)
- WPUx registers (weak pull-up)
- INLVLx (input level control)
- SLRCONx registers (slew rate)
- ODCONx registers (open-drain)

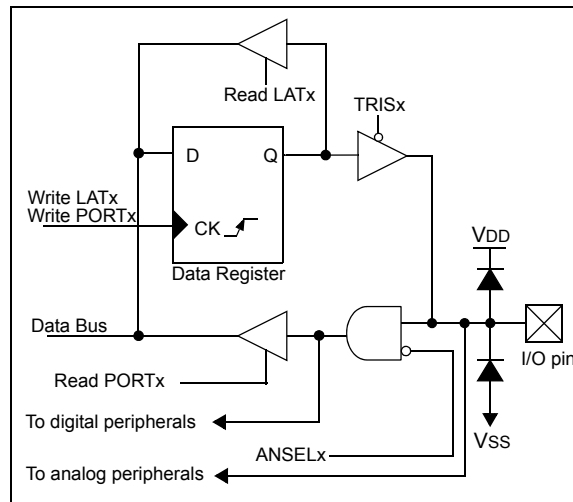
Most port pins share functions with device peripherals, both analog and digital. In general, when a peripheral is enabled on a port pin, that pin cannot be used as a general purpose output; however, the pin can still be read.

The Data Latch (LATx registers) is useful for read-modify-write operations on the value that the I/O pins are driving.

A write operation to the LATx register has the same effect as a write to the corresponding PORTx register. A read of the LATx register reads of the values held in the I/O PORT latches, while a read of the PORTx register reads the actual I/O pin value.

Ports that support analog inputs have an associated ANSELx register. When an ANSEL bit is set, the digital input buffer associated with that bit is disabled. Disabling the input buffer prevents analog signal levels on the pin between a logic high and low from causing excessive current in the logic input circuitry. A simplified model of a generic I/O port, without the interfaces to other peripherals, is shown in Figure 12-1.

FIGURE 12-1: GENERIC I/O PORT OPERATION



### 12.1 I/O Priorities

Each pin defaults to the PORT data latch after Reset. Other functions are selected with the peripheral pin select logic. See [Section 13.0 “Peripheral Pin Select \(PPS\) Module”](#) for more information.

Analog input functions, such as ADC and comparator inputs, are not shown in the peripheral pin select lists. These inputs are active when the I/O pin is set for Analog mode using the ANSELx register. Digital output functions may continue to control the pin when it is in Analog mode.

Analog outputs, when enabled, take priority over the digital outputs and force the digital output driver to the high-impedance state.



## 12.2 PORTA Registers

### 12.2.1 DATA REGISTER

PORTA is a 6-bit wide, bidirectional port. The corresponding data direction register is TRISA ([Register 12-2](#)). Setting a TRISA bit (= 1) will make the corresponding PORTA pin an input (i.e., disable the output driver). Clearing a TRISA bit (= 0) will make the corresponding PORTA pin an output (i.e., enables output driver and puts the contents of the output latch on the selected pin). The exception is RA3, which is input-only and its TRIS bit will always read as '1'. [Example 12-1](#) shows how to initialize PORTA.

Reading the PORTA register ([Register 12-1](#)) reads the status of the pins, whereas writing to it will write to the PORT latch. All write operations are read-modify-write operations. Therefore, a write to a port implies that the port pins are read, this value is modified and then written to the PORT data latch (LATA).

The PORT data latch LATA ([Register 12-3](#)) holds the output port data, and contains the latest value of a LATA or PORTA write.

#### EXAMPLE 12-1: INITIALIZING PORTA

```

; This code example illustrates
; initializing the PORTA register. The
; other ports are initialized in the same
; manner.

BANKSEL PORTA      ;
CLRF PORTA         ;Clear PORTA
BANKSEL LATA       ;Data Latch
CLRF LATA          ;
BANKSEL ANSELA    ;
CLRF ANSELA       ;digital I/O
BANKSEL TRISA     ;
MOVLW B'00111000' ;Set RA<5:3> as inputs
MOVWF TRISA       ;and set RA<2:0> as
                  ;outputs
    
```

### 12.2.2 DIRECTION CONTROL

The TRISA register ([Register 12-2](#)) controls the PORTA pin output drivers, even when they are being used as analog inputs. The user should ensure the bits in the TRISA register are maintained set when using them as analog inputs. I/O pins configured as analog inputs always read '0'.

### 12.2.3 OPEN-DRAIN CONTROL

The ODCONA register ([Register 12-6](#)) controls the open-drain feature of the port. Open-drain operation is independently selected for each pin. When an ODCONA bit is set, the corresponding port output becomes an open-drain driver capable of sinking current only. When an ODCONA bit is cleared, the corresponding port output pin is the standard push-pull drive capable of sourcing and sinking current.

**Note:** It is not necessary to set open-drain control when using the pin for I<sup>2</sup>C; the I<sup>2</sup>C module controls the pin and makes the pin open-drain.

### 12.2.4 SLEW RATE CONTROL

The SLRCONA register ([Register 12-7](#)) controls the slew rate option for each port pin. Slew rate control is independently selectable for each port pin. When an SLRCONA bit is set, the corresponding port pin drive is slew rate limited. When an SLRCONA bit is cleared, The corresponding port pin drive slews at the maximum rate available.

### 12.2.5 INPUT THRESHOLD CONTROL

The INLVLA register ([Register 12-8](#)) controls the input voltage threshold for each of the available PORTA input pins. A selection between the Schmitt Trigger CMOS or the TTL Compatible thresholds is available. The input threshold is important in determining the value of a read of the PORTA register and also the level at which an interrupt-on-change occurs, if that feature is enabled. See [Table 35-4](#) for more information on threshold levels.

**Note:** Changing the input threshold selection should be performed while all peripheral modules are disabled. Changing the threshold level during the time a module is active may inadvertently generate a transition associated with an input pin, regardless of the actual voltage level on that pin.

# PIC16(L)F18313/18323

---

## 12.2.6 ANALOG CONTROL

The ANSELA register ([Register 12-4](#)) is used to configure the Input mode of an I/O pin to analog. Setting the appropriate ANSELA bit high will cause all digital reads on the pin to be read as '0' and allow analog functions on the pin to operate correctly.

The state of the ANSELA bits has no effect on digital output functions. A pin with TRIS clear and ANSEL set will still operate as a digital output, but the Input mode will be analog. This can cause unexpected behavior when executing read-modify-write instructions on the affected port.

<p><b>Note:</b> The ANSELA bits default to the Analog mode after Reset. To use any pins as digital general purpose or peripheral inputs, the corresponding ANSEL bits must be initialized to '0' by user software.</p>
------------------------------------------------------------------------------------------------------------------------------------------------------------------------------------------------------------------------

## 12.2.7 WEAK PULL-UP CONTROL

The WPUA register ([Register 12-5](#)) controls the individual weak pull-ups for each PORT pin.

PORTA pin RA3 includes the  $\overline{\text{MCLR/VPP}}$  input. The  $\overline{\text{MCLR}}$  input allows the device to be reset, and can be disabled by the MCLRE bit of Configuration Word 2. A weak pull-up is present on the RA3 port pin. This weak pull-up is enabled when  $\overline{\text{MCLR}}$  is enabled (MCLRE = 1) or the WPUA3 bit is set. The weak pull-up is disabled when is disabled and the WPUA3 bit is clear.

## 12.2.8 PORTA FUNCTIONS AND OUTPUT PRIORITIES

Each PORTA pin is multiplexed with other functions.

Each pin defaults to the PORT latch data after Reset. Other output functions are selected with the peripheral pin select logic. See [Section 13.0 "Peripheral Pin Select \(PPS\) Module"](#) for more information.

Analog input functions, such as ADC and comparator inputs are not shown in the peripheral pin select lists. Digital output functions may continue to control the pin when it is in Analog mode.

## 12.3 Register Definitions: PORTA

### REGISTER 12-1: PORTA: PORTA REGISTER

U-0	U-0	R/W-x/u	R/W-x/u	R-x/u	R/W-x/u	R/W-x/u	R/W-x/u
—	—	RA5	RA4	RA3 <sup>(2)</sup>	RA2	RA1	RA0
bit 7							bit 0

#### Legend:

R = Readable bit	W = Writable bit	U = Unimplemented bit, read as '0'
u = Bit is unchanged	x = Bit is unknown	-n/n = Value at POR and BOR/Value at all other Resets
'1' = Bit is set	'0' = Bit is cleared	

bit 7-6      **Unimplemented:** Read as '0'  
bit 5-0      **RA<5:0>:** PORTA I/O Value bits<sup>(1)</sup>  
                 1 = Port pin is  $\geq V_{IH}$   
                 0 = Port pin is  $\leq V_{IL}$

**Note 1:** Writes to PORTA are actually written to corresponding LATA register. Reads from PORTA register is return of actual I/O pin values.

**2:** Bit RA3 is read-only, and will read '1' when MCLR = 1 (master clear enabled).

### REGISTER 12-2: TRISA: PORTA TRI-STATE REGISTER

U-0	U-0	R/W-1/1	R/W-1/1	U-1	R/W-1/1	R/W-1/1	R/W-1/1
—	—	TRISA5	TRISA4	—	TRISA2	TRISA1	TRISA0
bit 7							bit 0

#### Legend:

R = Readable bit	W = Writable bit	U = Unimplemented bit, read as '0'
u = Bit is unchanged	x = Bit is unknown	-n/n = Value at POR and BOR/Value at all other Resets
'1' = Bit is set	'0' = Bit is cleared	

bit 7-6      **Unimplemented:** Read as '0'  
bit 5-4      **TRISA<5:4>:** PORTA Tri-State Control bit  
                 1 = PORTA pin configured as an input (tri-stated)  
                 0 = PORTA pin configured as an output  
bit 3        **Unimplemented:** Read as '1'  
bit 2-0      **TRISA<2:0>:** PORTA Tri-State Control bit  
                 1 = PORTA pin configured as an input (tri-stated)  
                 0 = PORTA pin configured as an output

# PIC16(L)F18313/18323

## REGISTER 12-3: LATA: PORTA DATA LATCH REGISTER

U-0	U-0	R/W-x/u	R/W-x/u	U-0	R/W-x/u	R/W-x/u	R/W-x/u
—	—	LATA5	LATA4	—	LATA2	LATA1	LATA0
bit 7							bit 0

### Legend:

R = Readable bit                      W = Writable bit                      U = Unimplemented bit, read as '0'  
u = Bit is unchanged                  x = Bit is unknown                  -n/n = Value at POR and BOR/Value at all other Resets  
'1' = Bit is set                          '0' = Bit is cleared

bit 7-6              **Unimplemented:** Read as '0'  
bit 5-4              **LATA<5:4>:** RA<5:4> Output Latch Value bits<sup>(1)</sup>  
bit 3                **Unimplemented:** Read as '0'  
bit 2-0             **LATA<2:0>:** RA<2:0> Output Latch Value bits<sup>(1)</sup>

**Note 1:** Writes to PORTA are actually written to corresponding LATA register. Reads from PORTA register is return of actual I/O pin values.

## REGISTER 12-4: ANSELA: PORTA ANALOG SELECT REGISTER

U-0	U-0	R/W-1/1	R/W-1/1	U-0	R/W-1/1	R/W-1/1	R/W-1/1
—	—	ANSA5	ANSA4	—	ANSA2	ANSA1	ANSA0
bit 7							bit 0

### Legend:

R = Readable bit                      W = Writable bit                      U = Unimplemented bit, read as '0'  
u = Bit is unchanged                  x = Bit is unknown                  -n/n = Value at POR and BOR/Value at all other Resets  
'1' = Bit is set                          '0' = Bit is cleared

bit 7-6              **Unimplemented:** Read as '0'  
bit 5-4              **ANSA<5:4>:** Analog Select between Analog or Digital Function on pins RA<5:4>, respectively  
1 = Analog input. Pin is assigned as analog input<sup>(1)</sup>. Digital input buffer disabled.  
0 = Digital I/O. Pin is assigned to port or digital special function.  
bit 3                **Unimplemented:** Read as '0'  
bit 2-0             **ANSA<2:0>:** Analog Select between Analog or Digital Function on pins RA<2:0>, respectively  
1 = Analog input. Pin is assigned as analog input<sup>(1)</sup>. Digital input buffer disabled.  
0 = Digital I/O. Pin is assigned to port or digital special function.

**Note 1:** When setting a pin to an analog input, the corresponding TRIS bit must be set to Input mode in order to allow external control of the voltage on the pin.

# PIC16(L)F18313/18323

## REGISTER 12-5: WPUA: WEAK PULL-UP PORTA REGISTER

U-0	U-0	R/W-0/0	R/W-0/0	R/W-0/0	R/W-0/0	R/W-0/0	R/W-0/0
—	—	WPUA5	WPUA4	WPUA3 <sup>(1)</sup>	WPUA2	WPUA1	WPUA0
bit 7							bit 0

### Legend:

R = Readable bit	W = Writable bit	U = Unimplemented bit, read as '0'
u = Bit is unchanged	x = Bit is unknown	-n/n = Value at POR and BOR/Value at all other Resets
'1' = Bit is set	'0' = Bit is cleared	

bit 7-6      **Unimplemented:** Read as '0'

bit 5-0      **WPUA<5:0>:** Weak Pull-up Register bits<sup>(2)</sup>  
                  1 = Pull-up enabled  
                  0 = Pull-up disabled

- Note 1:** If MCLRE = 1, the weak pull-up in RA3 is always enabled; bit WPUA3 is not affected.
- 2:** The weak pull-up device is disabled if the pin is configured as an output except when the pin is also configured as open-drain. When configured as open-drain, the pull-up is enabled when the output value is high, and disabled when the output value is low.

## REGISTER 12-6: ODCONA: PORTA OPEN-DRAIN CONTROL REGISTER

U-0	U-0	R/W-0/0	R/W-0/0	U-0	R/W-0/0	R/W-0/0	R/W-0/0
—	—	ODCA5	ODCA4	—	ODCA2	ODCA1	ODCA0
bit 7							bit 0

### Legend:

R = Readable bit	W = Writable bit	U = Unimplemented bit, read as '0'
u = Bit is unchanged	x = Bit is unknown	-n/n = Value at POR and BOR/Value at all other Resets
'1' = Bit is set	'0' = Bit is cleared	

bit 7-6      **Unimplemented:** Read as '0'

bit 5-4      **ODCA<5:4>:** PORTA Open-Drain Enable bits  
                  For RA<5:4> pins, respectively  
                  1 = Port pin operates as open-drain drive (sink current only)  
                  0 = Port pin operates as standard push-pull drive (source and sink current)

bit 3        **Unimplemented:** Read as '0'

bit 2-0      **ODCA<2:0>:** PORTA Open-Drain Enable bits  
                  For RA<2:0> pins, respectively  
                  1 = Port pin operates as open-drain drive (sink current only)  
                  0 = Port pin operates as standard push-pull drive (source and sink current)

# PIC16(L)F18313/18323

## REGISTER 12-7: SLRCONA: PORTA SLEW RATE CONTROL REGISTER

U-0	U-0	R/W-1/1	R/W-1/1	U-0	R/W-1/1	R/W-1/1	R/W-1/1	
—	—	SLRA5	SLRA4	—	SLRA2	SLRA1	SLRA0	
bit 7								bit 0

### Legend:

R = Readable bit                      W = Writable bit                      U = Unimplemented bit, read as '0'  
u = Bit is unchanged                      x = Bit is unknown                      -n/n = Value at POR and BOR/Value at all other Resets  
'1' = Bit is set                              '0' = Bit is cleared

- bit 7-6                      **Unimplemented:** Read as '0'
- bit 5-4                      **SLRA<5:4>:** PORTA Slew Rate Enable bits  
For RA<5:4> pins, respectively  
1 = Port pin slew rate is limited  
0 = Port pin slews at maximum rate
- bit 3                        **Unimplemented:** Read as '0'
- bit 2-0                      **SLRA<2:0>:** PORTA Slew Rate Enable bits  
For RA<2:0> pins, respectively  
1 = Port pin slew rate is limited  
0 = Port pin slews at maximum rate

## REGISTER 12-8: INLVLA: PORTA INPUT LEVEL CONTROL REGISTER

U-0	U-0	R/W-1/1	R/W-1/1	R/W-1/1	R/W-1/1	R/W-1/1	R/W-1/1	
—	—	INLVLA5	INLVLA4	INLVLA3	INLVLA2	INLVLA1	INLVLA0	
bit 7								bit 0

### Legend:

R = Readable bit                      W = Writable bit                      U = Unimplemented bit, read as '0'  
u = Bit is unchanged                      x = Bit is unknown                      -n/n = Value at POR and BOR/Value at all other Resets  
'1' = Bit is set                              '0' = Bit is cleared

- bit 7-6                      **Unimplemented:** Read as '0'
- bit 5-0                      **INLVLA<5:0>:** PORTA Input Level Select bits  
For RA<5:0> pins, respectively  
1 = ST input used for PORT reads and interrupt-on-change  
0 = TTL input used for PORT reads and interrupt-on-change

# PIC16(L)F18313/18323

**TABLE 12-2: SUMMARY OF REGISTERS ASSOCIATED WITH PORTA**

Name	Bit 7	Bit 6	Bit 5	Bit 4	Bit 3	Bit 2	Bit 1	Bit 0	Register on Page
PORTA	—	—	RA5	RA4	RA3	RA2	RA1	RA0	131
TRISA	—	—	TRISA5	TRISA4	—	TRISA2	TRISA1	TRISA0	131
LATA	—	—	LATA5	LATA4	—	LATA2	LATA1	LATA0	132
ANSELA	—	—	ANSA5	ANSA4	—	ANSA2	ANSA1	ANSA0	132
WPUA	—	—	WPUA5	WPUA4	WPUA3	WPUA2	WPUA1	WPUA0	133
ODCONA	—	—	ODCA5	ODCA4	—	ODCA2	ODCA1	ODCA0	133
SLRCONA	—	—	SLRA5	SLRA4	—	SLRA2	SLRA1	SLRA0	134
INLVLA	—	—	INLVLA5	INLVLA4	INLVLA3	INLVLA2	INLVLA1	INLVLA0	134

**Legend:** — = unimplemented locations read as '0'. Shaded cells are not used by PORTA.

**TABLE 12-3: SUMMARY OF CONFIGURATION WORD WITH PORTA**

Name	Bits	Bit -/7	Bit -/6	Bit 13/5	Bit 12/4	Bit 11/3	Bit 10/2	Bit 9/1	Bit 8/0	Register on Page
CONFIG2	13:8	—	—	DEBUG	STVREN	PPS1WAY	—	BORV	—	53
	7:0	BOREN1	BOREN0	LPBOREN	—	WDTE1	WDTE0	PWRTE	MCLRE	

**Legend:** — = unimplemented location, read as '0'. Shaded cells are not used by PORTA.

# PIC16(L)F18313/18323

## 12.4 PORTC Registers

### 12.4.1 DATA REGISTER

PORTC is a bidirectional port that is 6-bits wide. The corresponding data direction register is TRISC (Register 12-10). Setting a TRISC bit (= 1) will make the corresponding PORTC pin an input (i.e., put the corresponding output driver in a High-Impedance mode). Clearing a TRISC bit (= 0) will make the corresponding PORTC pin an output (i.e., enable the output driver and put the contents of the output latch on the selected pin). Example 12-1 shows how to initialize an I/O port.

Reading the PORTC register (Register 12-9) reads the status of the pins, whereas writing to it will write to the PORT latch. All write operations are read-modify-write operations. Therefore, a write to a port implies that the port pins are read, this value is modified and then written to the PORT data latch (LATC).

The PORT data latch LATC (Register 12-11) holds the output port data, and contains the latest value of a LATC or PORTC write.

### 12.4.2 DIRECTION CONTROL

The TRISC register (Register 12-10) controls the PORTC pin output drivers, even when they are being used as analog inputs. The user should ensure the bits in the TRISC register are maintained set when using them as analog inputs. I/O pins configured as analog inputs always read '0'.

### 12.4.3 INPUT THRESHOLD CONTROL

The INLVLC register (Register 12-16) controls the input voltage threshold for each of the available PORTC input pins. A selection between the Schmitt Trigger CMOS or the TTL Compatible thresholds is available. The input threshold is important in determining the value of a read of the PORTC register and also the level at which an interrupt-on-change occurs, if that feature is enabled. See Table 35-4 for more information on threshold levels.

**Note:** Changing the input threshold selection should be performed while all peripheral modules are disabled. Changing the threshold level during the time a module is active may inadvertently generate a transition associated with an input pin, regardless of the actual voltage level on that pin.

### 12.4.4 OPEN-DRAIN CONTROL

The ODCONC register (Register 12-14) controls the open-drain feature of the port. Open-drain operation is independently selected for each pin. When an ODCONC bit is set, the corresponding port output becomes an open-drain driver capable of sinking current only. When an ODCONC bit is cleared, the corresponding port output pin is the standard push-pull drive capable of sourcing and sinking current.

**Note:** It is not necessary to set open-drain control when using the pin for I<sup>2</sup>C; the I<sup>2</sup>C module controls the pin and makes the pin open-drain.

### 12.4.5 SLEW RATE CONTROL

The SLRCONC register (Register 12-15) controls the slew rate option for each port pin. Slew rate control is independently selectable for each port pin. When an SLRCONC bit is set, the corresponding port pin drive is slew rate limited. When an SLRCONC bit is cleared, the corresponding port pin drive slews at the maximum rate available.

### 12.4.6 ANALOG CONTROL

The ANSEL register (Register 12-12) is used to configure the Input mode of an I/O pin to analog. Setting the appropriate ANSEL bit high will cause all digital reads on the pin to be read as '0' and allow analog functions on the pin to operate correctly.

The state of the ANSEL bits has no effect on digital output functions. A pin with TRIS clear and ANSEL set will still operate as a digital output, but the Input mode will be analog. This can cause unexpected behavior when executing read-modify-write instructions on the affected port.

**Note:** The ANSEL bits default to the Analog mode after Reset. To use any pins as digital general purpose or peripheral inputs, the corresponding ANSEL bits must be initialized to '0' by user software.

### 12.4.7 WEAK PULL-UP CONTROL

The WPUC register (Register 12-13) controls the individual weak pull-ups for each PORT pin.

### 12.4.8 PORTC FUNCTIONS AND OUTPUT PRIORITIES

Each pin defaults to the PORT latch data after Reset. Other functions are selected with the peripheral pin select logic. See Section 13.0 "Peripheral Pin Select (PPS) Module" for more information.

Analog output functions, such as ADC and comparator inputs, are not shown in the peripheral pin select lists. Digital output functions may continue to control the pin when it is in Analog mode.



## 12.5 Register Definitions: PORTC

### REGISTER 12-9: PORTC: PORTC REGISTER

U-0	U-0	R/W-x/u	R/W-x/u	R/W-x/u	R/W-x/u	R/W-x/u	R/W-x/u
—	—	RC5	RC4	RC3	RC2	RC1	RC0
bit 7							bit 0

#### Legend:

R = Readable bit

W = Writable bit

U = Unimplemented bit, read as '0'

u = Bit is unchanged

x = Bit is unknown

-n/n = Value at POR and BOR/Value at all other Resets

'1' = Bit is set

'0' = Bit is cleared

bit 7-6 **Unimplemented:** Read as '0'

bit 5-0 **RC<5:0>:** PORTC General Purpose I/O Pin bits<sup>(1)</sup>

1 = Port pin is  $\geq V_{IH}$

0 = Port pin is  $\leq V_{IL}$

**Note 1:** Writes to PORTC are actually written to corresponding LATC register. Reads from PORTC register is return of actual I/O pin values.

# PIC16(L)F18313/18323

## REGISTER 12-10: TRISC: PORTC TRI-STATE REGISTER

U-0	U-0	R/W-1/1	R/W-1/1	R/W-1/1	R/W-1/1	R/W-1/1	R/W-1/1
—	—	TRISC5	TRISC4	TRISC3	TRISC2	TRISC1	TRISC0
bit 7							bit 0

### Legend:

R = Readable bit

W = Writable bit

U = Unimplemented bit, read as '0'

u = Bit is unchanged

x = Bit is unknown

-n/n = Value at POR and BOR/Value at all other Resets

'1' = Bit is set

'0' = Bit is cleared

bit 7-6 **Unimplemented:** Read as '0'

bit 5-0 **TRISC<5:0>:** PORTC Tri-State Control bits  
1 = PORTC pin configured as an input (tri-stated)  
0 = PORTC pin configured as an output

## REGISTER 12-11: LATC: PORTC DATA LATCH REGISTER

U-0	U-0	R/W-x/u	R/W-x/u	R/W-x/u	R/W-x/u	R/W-x/u	R/W-x/u
—	—	LATC5	LATC4	LATC3	LATC2	LATC1	LATC0
bit 7							bit 0

### Legend:

R = Readable bit

W = Writable bit

U = Unimplemented bit, read as '0'

u = Bit is unchanged

x = Bit is unknown

-n/n = Value at POR and BOR/Value at all other Resets

'1' = Bit is set

'0' = Bit is cleared

bit 7-6 **Unimplemented:** Read as '0'

bit 5-0 **LATC<5:0>:** PORTC Output Latch Value bits

# PIC16(L)F18313/18323

## REGISTER 12-12: ANSELC: PORTC ANALOG SELECT REGISTER

U-0	U-0	R/W-1/1	R/W-1/1	R/W-1/1	R/W-1/1	R/W-1/1	R/W-1/1
—	—	ANSC5	ANSC4	ANSC3	ANSC2	ANSC1	ANSC0
bit 7							bit 0

### Legend:

R = Readable bit                      W = Writable bit                      U = Unimplemented bit, read as '0'  
u = Bit is unchanged                  x = Bit is unknown                  -n/n = Value at POR and BOR/Value at all other Resets  
'1' = Bit is set                            '0' = Bit is cleared

bit 7-6                      **Unimplemented:** Read as '0'

bit 5-0                      **ANSC<5:0>:** Analog Select between Analog or Digital Function on pins RC<5:0>, respectively  
0 = Digital I/O. Pin is assigned to port or digital special function.  
1 = Analog input. Pin is assigned as analog input<sup>(1)</sup>. Digital input buffer disabled.

**Note 1:** When setting a pin to an analog input, the corresponding TRIS bit must be set to Input mode in order to allow external control of the voltage on the pin.

## REGISTER 12-13: WPUC: WEAK PULL-UP PORTC REGISTER

U-0	U-0	R/W-0/0	R/W-0/0	R/W-0/0	R/W-0/0	R/W-0/0	R/W-0/0
—	—	WPUC5	WPUC4	WPUC3	WPUC2	WPUC1	WPUC0
bit 7							bit 0

### Legend:

R = Readable bit                      W = Writable bit                      U = Unimplemented bit, read as '0'  
u = Bit is unchanged                  x = Bit is unknown                  -n/n = Value at POR and BOR/Value at all other Resets  
'1' = Bit is set                            '0' = Bit is cleared

bit 7-6                      **Unimplemented:** Read as '0'

bit 5-0                      **WPUC<5:0>:** Weak Pull-up Register bits<sup>(1)</sup>  
1 = Pull-up enabled  
0 = Pull-up disabled

**Note 1:** The weak pull-up is disabled if the pin is configured as an output except when the pin is also configured as open-drain. When configured as open-drain, the pull-up is enabled when the output value is high, and disabled when the output value is low.

# PIC16(L)F18313/18323

## REGISTER 12-14: ODCONC: PORTC OPEN-DRAIN CONTROL REGISTER

U-0	U-0	R/W-0/0	R/W-0/0	R/W-0/0	R/W-0/0	R/W-0/0	R/W-0/0
—	—	ODCC5	ODCC4	ODCC3	ODCC2	ODCC1	ODCC0
bit 7							bit 0

### Legend:

R = Readable bit                      W = Writable bit                      U = Unimplemented bit, read as '0'  
u = Bit is unchanged                  x = Bit is unknown                  -n/n = Value at POR and BOR/Value at all other Resets  
'1' = Bit is set                          '0' = Bit is cleared

bit 7-6                      **Unimplemented:** Read as '0'

bit 5-0                      **ODCC<5:0>:** PORTC Open-Drain Enable bits

For RC<5:0> pins, respectively

1 = Port pin operates as open-drain drive (sink current only)

0 = Port pin operates as standard push-pull drive (source and sink current)

## REGISTER 12-15: SLRCONC: PORTC SLEW RATE CONTROL REGISTER

U-0	U-0	R/W-1/1	R/W-1/1	R/W-1/1	R/W-1/1	R/W-1/1	R/W-1/1
—	—	SLRC5	SLRC4	SLRC3	SLRC2	SLRC1	SLRC0
bit 7							bit 0

### Legend:

R = Readable bit                      W = Writable bit                      U = Unimplemented bit, read as '0'  
u = Bit is unchanged                  x = Bit is unknown                  -n/n = Value at POR and BOR/Value at all other Resets  
'1' = Bit is set                          '0' = Bit is cleared

bit 7-6                      **Unimplemented:** Read as '0'

bit 5-0                      **SLRC<5:0>:** PORTC Slew Rate Enable bits

For RC<5:0> pins, respectively

1 = Port pin slew rate is limited

0 = Port pin slews at maximum rate

# PIC16(L)F18313/18323

**REGISTER 12-16: INLVLC: PORTC INPUT LEVEL CONTROL REGISTER**

U-0	U-0	R/W-1/1	R/W-1/1	R/W-1/1	R/W-1/1	R/W-1/1	R/W-1/1
—	—	INLVLC5	INLVLC4	INLVLC3	INLVLC2	INLVLC1	INLVLC0
bit 7							bit 0

**Legend:**

R = Readable bit                      W = Writable bit                      U = Unimplemented bit, read as '0'  
u = Bit is unchanged                      x = Bit is unknown                      -n/n = Value at POR and BOR/Value at all other Resets  
'1' = Bit is set                              '0' = Bit is cleared

bit 7-6                      **Unimplemented:** Read as '0'  
bit 5-0                      **INLVLC<5:0>:** PORTC Input Level Select bits  
For RC<5:0> pins, respectively  
1 = ST input used for PORT reads and interrupt-on-change  
0 = TTL input used for PORT reads and interrupt-on-change

**TABLE 12-4: SUMMARY OF REGISTERS ASSOCIATED WITH PORTC**

Name	Bit 7	Bit 6	Bit 5	Bit 4	Bit 3	Bit 2	Bit 1	Bit 0	Register on Page
PORTC	—	—	RC5	RC4	RC3	RC2	RC1	RC0	<a href="#">137</a>
TRISC	—	—	TRISC5	TRISC4	TRISC3	TRISC2	TRISC1	TRISC0	<a href="#">138</a>
LATC	—	—	LATC5	LATC4	LATC3	LATC2	LATC1	LATC0	<a href="#">138</a>
ANSEL	—	—	ANSC5	ANSC4	ANSC3	ANSC2	ANSC1	ANSC0	<a href="#">139</a>
WPUC	—	—	WPUC5	WPUC4	WPUC3	WPUC2	WPUC1	WPUC0	<a href="#">139</a>
ODCONC	—	—	ODCC5	ODCC4	ODCC3	ODCC2	ODCC1	ODCC0	<a href="#">140</a>
SLRCONC	—	—	SLRC5	SLRC4	SLRC3	SLRC2	SLRC1	SLRC0	<a href="#">140</a>
INLVLC	—	—	INLVLC5	INLVLC4	INLVLC3	INLVLC2	INLVLC1	INLVLC0	<a href="#">141</a>

**Legend:** — = unimplemented locations read as '0'. Shaded cells are not used by PORTC.

# PIC16(L)F18313/18323

## 13.0 PERIPHERAL PIN SELECT (PPS) MODULE

The Peripheral Pin Select (PPS) module connects peripheral inputs and outputs to the device I/O pins. Only digital signals are included in the selections. All analog inputs and outputs remain fixed to their assigned pins. Input and output selections are independent as shown in the simplified block diagram [Figure 13-1](#).

### 13.1 PPS Inputs

Each peripheral has a PPS register with which the inputs to the peripheral are selected. Inputs include the device pins.

Although every peripheral has its own PPS input selection register, the selections are identical for every peripheral as shown in [Register 13-1](#).

**Note:** The notation “xxx” in the register name is a place holder for the peripheral identifier. For example, CLC1PPS.

### 13.2 PPS Outputs

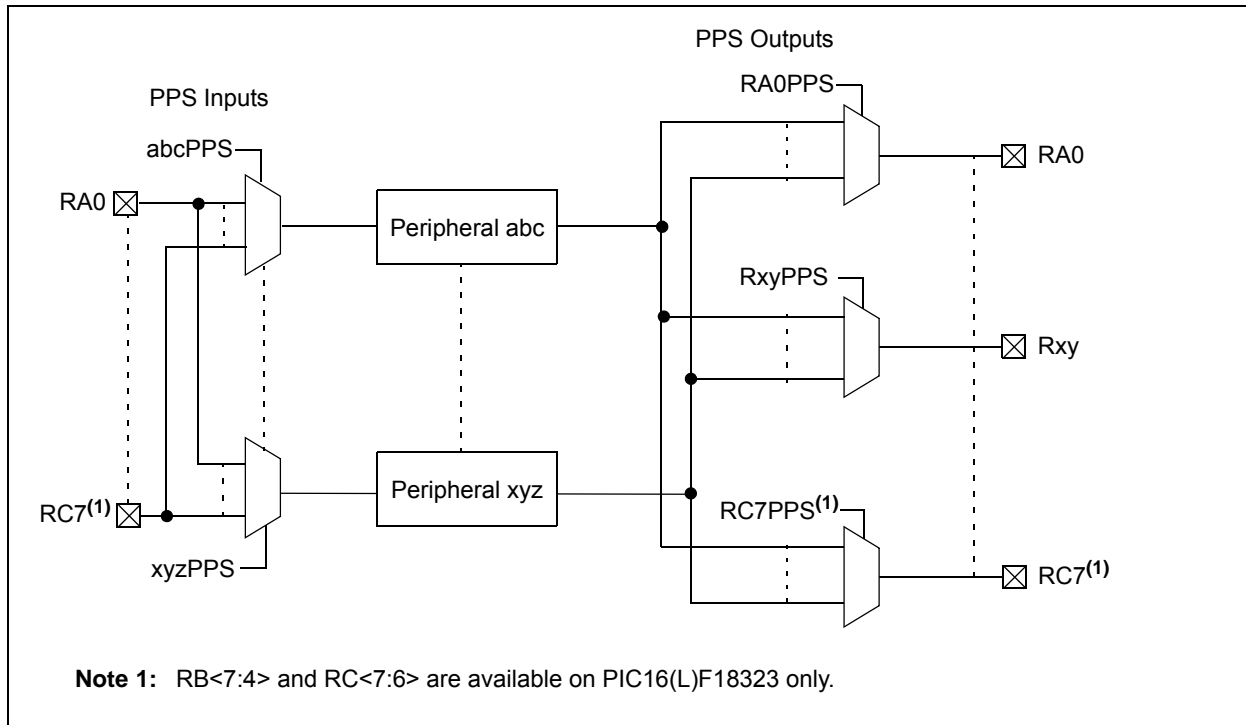
Each I/O pin has a PPS register with which the pin output source is selected. With few exceptions, the port TRIS control associated with that pin retains control over the pin output driver. Peripherals that control the pin output driver as part of the peripheral operation will override the TRIS control as needed. These peripherals are:

- EUSART1 (synchronous operation)
- MSSP (I<sup>2</sup>C)

Although every pin has its own PPS peripheral selection register, the selections are identical for every pin as shown in [Register 13-2](#).

**Note:** The notation “Rxy” is a place holder for the pin identifier. For example, RA0PPS.

**FIGURE 13-1: SIMPLIFIED PPS BLOCK DIAGRAM**



## 13.3 Bidirectional Pins

PPS selections for peripherals with bidirectional signals on a single pin must be made so that the PPS input and PPS output select the same pin. Peripherals that have bidirectional signals are:

- EUSART1 (synchronous operation)
- MSSP (I<sup>2</sup>C)

**Note:** The I<sup>2</sup>C default input pins are I<sup>2</sup>C and SMBus compatible and are the only pins on the PIC16(L)F18313/18323 with this compatibility. Clock and data signals can be routed to any pin, however pins without I<sup>2</sup>C compatibility will operate at standard TTL/ST logic levels as selected by the INLV register.

## 13.4 PPSLOCKED Bit

The PPS includes a mode in which all input and output selections can be locked to prevent inadvertent changes. PPS selections are locked by setting the PPSLOCKED bit of the PPSLOCK register. Setting and clearing this bit requires a special sequence as an extra precaution against inadvertent changes. Examples of setting and clearing the PPSLOCKED bit are shown in [Example 13-1](#).

### EXAMPLE 13-1: PPS LOCK/UNLOCK SEQUENCE

```
; suspend interrupts
  bcf  INTCON,GIE
; BANKSEL PPSLOCK      ; set bank
; required sequence, next 5 instructions
  movlw 0x55
  movwf PPSLOCK
  movlw 0xAA
  movwf PPSLOCK
; Set PPSLOCKED bit to disable writes or
; Clear PPSLOCKED bit to enable writes
  bsf  PPSLOCK,PPSLOCKED
; restore interrupts
  bsf  INTCON,GIE
```

## 13.5 PPS1WAY Bit

The PPS can be locked by setting the PPS1WAY bit of Configuration Word 2.

When the PPS1WAY bit is set, the PPSLOCKED bit of the PPSLOCK register can be cleared and set only one time after a device Reset. Once the PPS registers are configured, user software sets the PPSLOCKED bit, preventing any further writes to the PPS registers. The PPS registers can be read at any time, regardless of the PPS1WAY or PPSLOCKED settings.

When the PPS1WAY bit is clear, the PPSLOCKED bit of the PPSLOCK register can be cleared and set multiple times during code execution, but requires the PPS lock/unlock sequence to be performed each time modifications to the PPS registers are made.

## 13.6 Operation During Sleep

PPS input and output selections are unaffected by Sleep.

## 13.7 Effects of a Reset

A device Power-On-Reset (POR) clears all PPS input and output selections to their default values, and clears the PPSLOCKED bit of the PPSLOCK register. All other Resets leave the selections unchanged. Default input selections are shown in pin allocation [Table 1](#) and [Table 2](#).

# PIC16(L)F18313/18323

## 13.8 Register Definitions: PPS Input Selection

### REGISTER 13-1: xxxPPS: PERIPHERAL xxx INPUT SELECTION

U-0	U-0	U-0	R/W-q/u	R/W-q/u	R/W-q/u	R/W-q/u	R/W-q/u
—	—	—	xxxPPS<4:0>				
bit 7							bit 0

#### Legend:

R = Readable bit	W = Writable bit	U = Unimplemented bit, read as '0'
u = Bit is unchanged	x = Bit is unknown	-n/n = Value at POR and BOR/Value at all other Resets
'1' = Bit is set	'0' = Bit is cleared	q = value depends on peripheral

bit 7-5      **Unimplemented:** Read as '0'

bit 4-0      **xxxPPS<4:0>:** Peripheral xxx Input Selection bits

11xxx = Reserved. Do not use.

10111 = Reserved. Do not use.

10110 = Reserved. Do not use.

10101 = Peripheral input is RC5<sup>(1)</sup>

10100 = Peripheral input is RC4<sup>(1)</sup>

10011 = Peripheral input is RC3<sup>(1)</sup>

10010 = Peripheral input is RC2<sup>(1)</sup>

10001 = Peripheral input is RC1<sup>(1)</sup>

10000 = Peripheral input is RC0<sup>(1)</sup>

...

01xxx = Reserved. Do not use.

...

0011x = Reserved. Do not use.

00101 = Peripheral input is RA5

00100 = Peripheral input is RA4

00011 = Peripheral input is RA3

00010 = Peripheral input is RA2

00001 = Peripheral input is RA1

00000 = Peripheral input is RA0

**Note 1:** PIC16(L)F18323 only.



## REGISTER 13-2: RxyPPS: PIN Rxy OUTPUT SOURCE SELECTION REGISTER

U-0	U-0	U-0	R/W-0/u	R/W-0/u	R/W-0/u	R/W-0/u	R/W-0/u	
—	—	—	RxyPPS<4:0>					
bit 7								bit 0

### Legend:

R = Readable bit	W = Writable bit	U = Unimplemented bit, read as '0'
u = Bit is unchanged	x = Bit is unknown	-n/n = Value at POR and BOR/Value at all other Resets
'1' = Bit is set	'0' = Bit is cleared	

bit 7-5	<b>Unimplemented:</b> Read as '0'
bit 4-0	<b>RxyPPS&lt;4:0&gt;:</b> Pin Rxy Output Source Selection bits
	11111 = Rxy source is DSM
	11110 = Rxy source is CLKR
	11101 = Rxy source is NCO1
	11100 = Rxy source is TMR0
	11011 = Reserved
	11010 = Reserved
	11001 = Rxy source is SDO1/SDA1
	11000 = Rxy source is SCK1/SCL1 <sup>(1)</sup>
	10111 = Rxy source is C2 <sup>(2)</sup>
	10110 = Rxy source is C1
	10101 = Rxy source is DT <sup>(1)</sup>
	10100 = Rxy source is EUSART TC/CK
	10011 = Reserved
	10010 = Reserved
	10001 = Reserved
	10000 = Reserved
	01111 = Reserved
	01110 = Reserved
	01101 = Rxy source is CCP2
	01100 = Rxy source is CCP1
	01011 = Rxy source is CWG1D <sup>(1)</sup>
	01010 = Rxy source is CWG1C <sup>(1)</sup>
	01001 = Rxy source is CWG1B <sup>(1)</sup>
	01000 = Rxy source is CWG1A <sup>(1)</sup>
	00111 = Reserved
	00110 = Reserved
	00101 = Rxy source is CLC2OUT
	00100 = Rxy source is CLC1OUT
	00011 = Rxy source is PWM6
	00010 = Rxy source is PWM5
	00001 = Reserved
	00000 = Rxy source is LATxy

**Note 1:** TRIS control is overridden by the peripheral as required.

**2:** PIC16(L)F18323 only.

# PIC16(L)F18313/18323

**REGISTER 13-3: PPSLOCK: PPS LOCK REGISTER**

U-0	U-0	U-0	U-0	U-0	U-0	U-0	R/W-0/0
—	—	—	—	—	—	—	PPSLOCKED
bit 7							bit 0

**Legend:**

R = Readable bit                      W = Writable bit                      U = Unimplemented bit, read as '0'  
u = Bit is unchanged                      x = Bit is unknown                      -n/n = Value at POR and BOR/Value at all other Resets  
'1' = Bit is set                              '0' = Bit is cleared

bit 7-1                      **Unimplemented:** Read as '0'  
bit 0                        **PPSLOCKED:** PPS Locked bit  
                                 1= PPS is locked. PPS selections can not be changed.  
                                 0= PPS is not locked. PPS selections can be changed.

**TABLE 13-1: SUMMARY OF REGISTERS ASSOCIATED WITH THE PPS MODULE**

Name	Bit 7	Bit 6	Bit 5	Bit 4	Bit 3	Bit 2	Bit 1	Bit 0	Register on page
PPSLOCK	—	—	—	—	—	—	—	PPSLOCKED	146
INTPPS	—	—	—	INTPPS<4:0>					144
T0CKIPPS	—	—	—	T0CKIPPS<4:0>					144
T1CKIPPS	—	—	—	T1CKIPPS<4:0>					144
T1GPPS	—	—	—	T1GPPS<4:0>					144
CCP1PPS	—	—	—	CCP1PPS<4:0>					144
CCP2PPS	—	—	—	CCP2PPS<4:0>					144
CWG1PPS	—	—	—	CWG1PPS<4:0>					144
MDCIN1PPS	—	—	—	MDCIN1PPS<4:0>					144
MDCIN2PPS	—	—	—	MDCIN2PPS<4:0>					144
MDMINPPS	—	—	—	MDMINPPS<4:0>					144
SSP1CLKPPS	—	—	—	SSP1CLKPPS<4:0>					144
SSP1DATPPS	—	—	—	SSP1DATPPS<4:0>					144
SSP1SSPPS	—	—	—	SSP1SSPPS<4:0>					144
RXPPS	—	—	—	RXPPS<4:0>					144
CLCIN0PPS	—	—	—	CLCIN0PPS<4:0>					144
CLCIN1PPS	—	—	—	CLCIN1PPS<4:0>					144
CLCIN2PPS	—	—	—	CLCIN2PPS<4:0>					144
CLCIN3PPS	—	—	—	CLCIN3PPS<4:0>					144
RA0PPS	—	—	—	RA0PPS<4:0>					145
RA1PPS	—	—	—	RA1PPS<4:0>					145
RA2PPS	—	—	—	RA2PPS<4:0>					145
RA4PPS	—	—	—	RA4PPS<4:0>					145
RA5PPS	—	—	—	RA5PPS<4:0>					145

**Legend:** — = unimplemented, read as '0'. Shaded cells are unused by the PPS module.

**Note 1:** PIC16(L)F18323 only.

# PIC16(L)F18313/18323

**TABLE 13-1: SUMMARY OF REGISTERS ASSOCIATED WITH THE PPS MODULE (CONTINUED)**

Name	Bit 7	Bit 6	Bit 5	Bit 4	Bit 3	Bit 2	Bit 1	Bit 0	Register on page
RC0PPS <sup>(1)</sup>	—	—	—					RC0PPS<4:0>	145
RC1PPS <sup>(1)</sup>	—	—	—					RC1PPS<4:0>	145
RC2PPS <sup>(1)</sup>	—	—	—					RC2PPS<4:0>	145
RC3PPS <sup>(1)</sup>	—	—	—					RC3PPS<4:0>	145
RC4PPS <sup>(1)</sup>	—	—	—					RC4PPS<4:0>	145
RC5PPS <sup>(1)</sup>	—	—	—					RC5PPS<4:0>	145

**Legend:** — = unimplemented, read as '0'. Shaded cells are unused by the PPS module.

**Note 1:** PIC16(L)F18323 only.

# PIC16(L)F18313/18323

## 14.0 PERIPHERAL MODULE DISABLE

The PIC16(L)F18313/18323 provides the ability to disable selected modules, placing them into the lowest possible power mode.

For legacy reasons, all modules are ON by default following any Reset.

### 14.1 Disabling a Module

Disabling a module has the following effects:

- All clock and control inputs to the module are suspended; there are no logic transitions, and the module will not function.
- The module is held in Reset.
  - Writing to the SFRs is disabled
  - Reads return 00h
- Analog outputs are disabled; Digital outputs read '0'

### 14.2 Enabling a Module

When the register bit is cleared, the module is re-enabled and will be in its Reset state; SFR data will reflect the POR Reset values.

Depending on the module, it may take up to one full instruction cycle for the module to become active. There should be no interaction with the module (e.g., writing to registers) for at least one instruction after it has been re-enabled.

### 14.3 System Clock Disable

Setting SYSCMD (PMD0, [Register 14-1](#)) disables the system clock (FOSC) distribution network to the peripherals. Not all peripherals make use of SYSCMD, so not all peripherals are affected. Refer to the specific peripheral description to see if it will be affected by this bit.

**REGISTER 14-1: PMD0: PMD CONTROL REGISTER 0**

R/W-0/0	R/W-0/0	U-0	U-0	U-0	R/W-0/0	R/W-0/0	R/W-0/0
SYSCMD	FVRMD	—	—	—	NVMMD	CLKRMD	IOCMD
7							0

#### Legend:

R = Readable bit	W = Writable bit	U = Unimplemented bit, read as '0'
u = Bit is unchanged	x = Bit is unknown	-n/n = Value at POR and BOR/Value at all other Resets
'1' = Bit is set	'0' = Bit is cleared	q = Value depends on condition

- bit 7      **SYSCMD:** Disable Peripheral System Clock Network bit  
See description in [Section 14.3 "System Clock Disable"](#).  
1 = System Clock network disabled (a.k.a. Fosc)  
0 = System Clock network enabled
- bit 6      **FVRMD:** Disable Fixed Voltage Reference FVR bit  
1 = FVR module disabled  
0 = FVR module enabled
- bit 5-3    **Unimplemented:** Read as '0'
- bit 2      **NVMMD:** NVM Module Disable bit<sup>(1)</sup>  
1 = Data EEPROM reading and writing is disabled; NVMCON registers cannot be written; FSR access to EEPROM returns zero.  
0 = NVM module enabled
- bit 1      **CLKRMD:** Disable Clock Reference CLKR bit  
1 = CLKR module disabled  
0 = CLKR module enabled
- bit 0      **IOCMD:** Disable Interrupt-on-Change bit, All Ports  
1 = IOC module(s) disabled  
0 = IOC module(s) enabled

**Note 1:** When enabling NVM, a delay of up to 1  $\mu$ s may be required before accessing data.

# PIC16(L)F18313/18323

## REGISTER 14-2: PMD1: PMD CONTROL REGISTER 1

R/W-0/0	U-0	U-0	U-0	U-0	R/W-0/0	R/W-0/0	R/W-0/0
NCOMD	—	—	—	—	TMR2MD	TMR1MD	TMR0MD
bit 7							bit 0

### Legend:

R = Readable bit

W = Writable bit

U = Unimplemented bit, read as '0'

u = Bit is unchanged

x = Bit is unknown

-n/n = Value at POR and BOR/Value at all other Resets

'1' = Bit is set

'0' = Bit is cleared

q = Value depends on condition

bit 7      **NCOMD:** Disable Numerically Control Oscillator bit

1 = NCO1 module disabled

0 = NCO1 module enabled

bit 6-3    **Unimplemented:** Read as '0'

bit 2      **TMR2MD:** Disable Timer TMR2 bit

1 = TMR2 module disabled

0 = TMR2 module enabled

bit 1      **TMR1MD:** Disable Timer TMR1 bit

1 = TMR1 module disabled

0 = TMR1 module enabled

bit 0      **TMR0MD:** Disable Timer TMR0 bit

1 = TMR0 module disabled

0 = TMR0 module enabled

# PIC16(L)F18313/18323

## REGISTER 14-3: PMD2: PMD CONTROL REGISTER 2

U-0	R/W-0/0	R/W-0/0	U-0	U-0	R/W-0/0	R/W-0/0	U-0
—	DACMD	ADCMD	—	—	CMP2MD <sup>(1)</sup>	CMP1MD	—
bit 7							bit 0

### Legend:

R = Readable bit

W = Writable bit

U = Unimplemented bit, read as '0'

u = Bit is unchanged

x = Bit is unknown

-n/n = Value at POR and BOR/Value at all other Resets

'1' = Bit is set

'0' = Bit is cleared

q = Value depends on condition

bit 7 **Unimplemented:** Read as '0'

bit 6 **DACMD:** Disable DAC bit  
1 = DAC module disabled  
0 = DAC module enabled

bit 5 **ADCMD:** Disable ADC bit  
1 = ADC module disabled  
0 = ADC module enabled

bit 4-3 **Unimplemented:** Read as '0'

bit 2 **CMP2MD:** Disable Comparator C2 bit<sup>(1)</sup>  
1 = Comparator C2 module disabled  
0 = Comparator C2 module enabled

bit 1 **CMP1MD:** Disable Comparator C1 bit  
1 = Comparator C1 module disabled  
0 = Comparator C1 module enabled

bit 0 **Unimplemented:** Read as '0'

**Note 1:** PIC16(L)F18323 only.

# PIC16(L)F18313/18323

**REGISTER 14-4: PMD3: PMD CONTROL REGISTER 3**

U-0	R/W-0/0	R/W-0/0	R/W-0/0	U-0	U-0	R/W-0/0	R/W-0/0
—	CWG1MD	PWM6MD	PWM5MD	—	—	CCP2MD	CCP1MD
bit 7						bit 0	

**Legend:**

R = Readable bit	W = Writable bit	U = Unimplemented bit, read as '0'
u = Bit is unchanged	x = Bit is unknown	-n/n = Value at POR and BOR/Value at all other Resets
'1' = Bit is set	'0' = Bit is cleared	q = Value depends on condition

- bit 7        **Unimplemented:** Read as '0'
- bit 6        **CWG1MD:** Disable CWG1 bit  
1 = CWG1 module disabled  
0 = CWG1 module enabled
- bit 5        **PWM6MD:** Disable PWM6 bit  
1 = PWM6 module disabled  
0 = PWM6 module enabled
- bit 4        **PWM5MD:** Disable PWM5 bit  
1 = PWM5 module disabled  
0 = PWM5 module enabled
- bit 3-2      **Unimplemented:** Read as '0'
- bit 1        **CCP2MD:** Disable CCP2 bit  
1 = CCP2 module disabled  
0 = CCP2 module enabled
- bit 0        **CCP1MD:** Disable CCP1 bit  
1 = CCP1 module disabled  
0 = CCP1 module enabled

# PIC16(L)F18313/18323

## REGISTER 14-5: PMD4: PMD CONTROL REGISTER 4

U-0	U-0	R/W-0/0	U-0	U-0	U-0	R/W-0/0	U-0
—	—	UART1MD	—	—	—	MSSP1MD	—
bit 7							bit 0

### Legend:

R = Readable bit

W = Writable bit

U = Unimplemented bit, read as '0'

u = Bit is unchanged

x = Bit is unknown

-n/n = Value at POR and BOR/Value at all other Resets

'1' = Bit is set

'0' = Bit is cleared

q = Value depends on condition

- bit 7-6      **Unimplemented:** Read as '0'
- bit 5        **UART1MD:** Disable EUSART1 bit  
              1 = EUSART1 module disabled  
              0 = EUSART1 module enabled
- bit 4-2      **Unimplemented:** Read as '0'
- bit 1        **MSSP1MD:** Disable MSSP1 bit  
              1 = MSSP1 module disabled  
              0 = MSSP1 module enabled
- bit 0        **Unimplemented:** Read as '0'



# PIC16(L)F18313/18323

**REGISTER 14-6: PMD5: PMD CONTROL REGISTER 5**

U-0	U-0	U-0	U-0	U-0	R/W-0/0	R/W-0/0	R/W-0/0
—	—	—	—	—	CLC2MD	CLC1MD	DSMMD
bit 7						bit 0	

**Legend:**

R = Readable bit

W = Writable bit

U = Unimplemented bit, read as '0'

u = Bit is unchanged

x = Bit is unknown

-n/n = Value at POR and BOR/Value at all other Resets

'1' = Bit is set

'0' = Bit is cleared

q = Value depends on condition

- bit 7-3     **Unimplemented:** Read as '0'
- bit 2       **CLC2MD:** Disable CLC2 bit  
            1 = CLC2 module disabled  
            0 = CLC2 module enabled
- bit 1       **CLC1MD:** Disable CLC1 bit  
            1 = CLC1 module disabled  
            0 = CLC1 module enabled
- bit 0       **DSMMD:** Disable Data Signal Modulator bit  
            1 = DSM module disabled  
            0 = DSM module enabled

# PIC16(L)F18313/18323

## 15.0 INTERRUPT-ON-CHANGE

All pins on all ports can be configured to operate as Interrupt-On-Change (IOC) pins. An interrupt can be generated by detecting a signal that has either a rising edge or a falling edge. Any individual pin, or combination of pins, can be configured to generate an interrupt. The interrupt-on-change module has the following features:

- Interrupt-on-Change enable
  - Rising and falling edge detection
- Individual pin configuration
- Individual pin interrupt flags

Figure 15-1 is a block diagram of the IOC module.

### 15.1 Enabling the Module

To allow individual pins to generate an interrupt, the IOCIE bit of the PIE0 register must be set. If the IOCIE bit is disabled, the edge detection on the pin will still occur, but an interrupt will not be generated.

### 15.2 Individual Pin Configuration

For each pin, a rising edge detector and a falling edge detector are present. To enable a pin to detect a rising edge, the associated bit of the IOCxP register is set. To enable a pin to detect a falling edge, the associated bit of the IOCxN register is set.

A pin can be configured to detect rising and falling edges simultaneously by setting the associated bits in both of the IOCxP and IOCxN registers.

## 15.3 Interrupt Flags

The bits located in the IOCxF registers are status flags that correspond to the interrupt-on-change pins of each port. If an expected edge is detected on an appropriately enabled pin, then the status flag for that pin will be set, and an interrupt will be generated if the IOCIE bit is set. The IOCIF bit of the PIR0 register reflects the status of all IOCxF bits.

### 15.3.1 CLEARING INTERRUPT FLAGS

The individual status flags, (IOCxF register bits), can be cleared by resetting them to zero. If another edge is detected during this clearing operation, the associated status flag will be set at the end of the sequence, regardless of the value actually being written.

In order to ensure that no detected edge is lost while clearing flags, only AND operations masking out known changed bits should be performed. The following sequence is an example of what should be performed.

#### EXAMPLE 15-1: CLEARING INTERRUPT FLAGS (PORTA EXAMPLE)

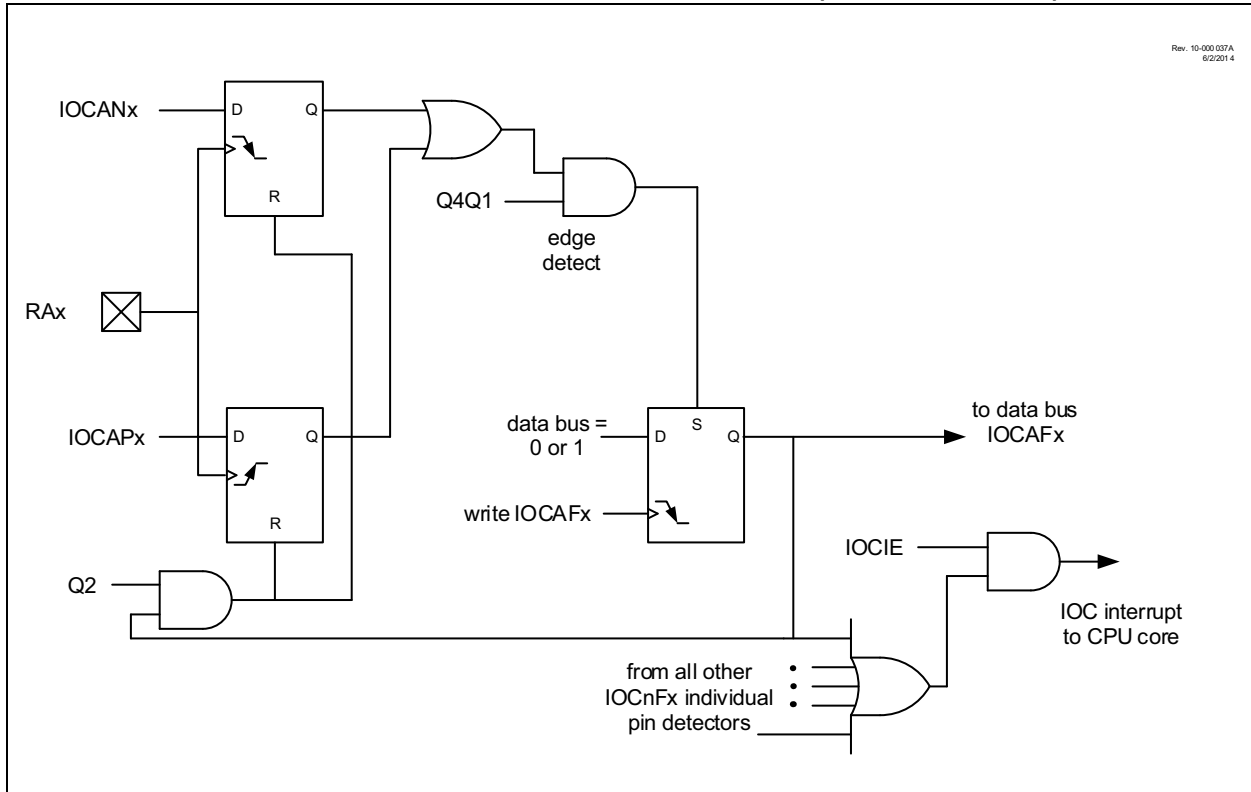
```
MOVLW  0xff
XORWF  IOCAF, W
ANDWF  IOCAF, F
```

### 15.4 Operation in Sleep

The interrupt-on-change interrupt event will wake the device from Sleep mode, if the IOCIE bit is set.

If an edge is detected while in Sleep mode, the affected IOCxF register will be updated prior to the first instruction executed out of Sleep.

**FIGURE 15-1: INTERRUPT-ON-CHANGE BLOCK DIAGRAM (PORTA EXAMPLE)**



# PIC16(L)F18313/18323

## 15.5 Register Definitions: Interrupt-on-Change Control

### REGISTER 15-1: IOCAP: INTERRUPT-ON-CHANGE PORTA POSITIVE EDGE REGISTER

U-0	U-0	R/W-0/0	R/W-0/0	R/W-0/0	R/W-0/0	R/W-0/0	R/W-0/0
—	—	IOCAP5	IOCAP4	IOCAP3	IOCAP2	IOCAP1	IOCAP0
bit 7							bit 0

**Legend:**

R = Readable bit                      W = Writable bit                      U = Unimplemented bit, read as '0'  
u = Bit is unchanged                  x = Bit is unknown                  -n/n = Value at POR and BOR/Value at all other Resets  
'1' = Bit is set                          '0' = Bit is cleared

bit 7-6                      **Unimplemented:** Read as '0'

bit 5-0                      **IOCAP<5:0>:** Interrupt-on-Change PORTA Positive Edge Enable bits

1 = Interrupt-on-Change enabled on the pin for a positive going edge. IOCAF<sub>x</sub> bit and IOCIF flag will be set upon detecting an edge.

0 = Interrupt-on-Change disabled for the associated pin

### REGISTER 15-2: IOCAN: INTERRUPT-ON-CHANGE PORTA NEGATIVE EDGE REGISTER

U-0	U-0	R/W-0/0	R/W-0/0	R/W-0/0	R/W-0/0	R/W-0/0	R/W-0/0
—	—	IOCAN5	IOCAN4	IOCAN3	IOCAN2	IOCAN1	IOCAN0
bit 7							bit 0

**Legend:**

R = Readable bit                      W = Writable bit                      U = Unimplemented bit, read as '0'  
u = Bit is unchanged                  x = Bit is unknown                  -n/n = Value at POR and BOR/Value at all other Resets  
'1' = Bit is set                          '0' = Bit is cleared

bit 7-6                      **Unimplemented:** Read as '0'

bit 5-0                      **IOCAN<5:0>:** Interrupt-on-Change PORTA Negative Edge Enable bits

1 = Interrupt-on-Change enabled on the pin for a negative going edge. IOCAF<sub>x</sub> bit and IOCIF flag will be set upon detecting an edge.

0 = Interrupt-on-Change disabled for the associated pin

# PIC16(L)F18313/18323

## REGISTER 15-3: IOCAF: INTERRUPT-ON-CHANGE PORTA FLAG REGISTER

U-0	U-0	R/W/HS-0/0	R/W/HS-0/0	R/W/HS-0/0	R/W/HS-0/0	R/W/HS-0/0	R/W/HS-0/0	
—	—	IOCAF5	IOCAF4	IOCAF3	IOCAF2	IOCAF1	IOCAF0	
bit 7								bit 0

### Legend:

R = Readable bit

W = Writable bit

U = Unimplemented bit, read as '0'

u = Bit is unchanged

x = Bit is unknown

-n/n = Value at POR and BOR/Value at all other Resets

'1' = Bit is set

'0' = Bit is cleared

HS - Bit is set in hardware

bit 7-6

**Unimplemented:** Read as '0'

bit 5-0

**IOCAF<5:0>:** Interrupt-on-Change PORTA Flag bits

1 = An enabled change was detected on the associated pin

Set when IOCAP<sub>x</sub> = 1 and a rising edge was detected on RAX, or when IOCAN<sub>x</sub> = 1 and a falling edge was detected on RAX.

0 = No change was detected, or the user cleared the detected change.

# PIC16(L)F18313/18323

## REGISTER 15-4: IOCCP: INTERRUPT-ON-CHANGE PORTC POSITIVE EDGE REGISTER<sup>(1)</sup>

U-0	U-0	R/W-0/0	R/W-0/0	R/W-0/0	R/W-0/0	R/W-0/0	R/W-0/0
—	—	IOCCP5	IOCCP4	IOCCP3	IOCCP2	IOCCP1	IOCCP0
bit 7							bit 0

### Legend:

R = Readable bit                      W = Writable bit                      U = Unimplemented bit, read as '0'  
u = Bit is unchanged                  x = Bit is unknown                  -n/n = Value at POR and BOR/Value at all other Resets  
'1' = Bit is set                          '0' = Bit is cleared

bit 7-6                      **Unimplemented:** Read as '0'

bit 5-0                      **IOCCP<5:0>:** Interrupt-on-Change PORTC Positive Edge Enable bits<sup>(1)</sup>  
1 = Interrupt-on-Change enabled on the pin for a positive going edge. IOCCFx bit and IOCIF flag will be set upon detecting an edge.  
0 = Interrupt-on-Change disabled for the associated pin

**Note 1:** PIC16(L)F18323 only.

## REGISTER 15-5: IOCCN: INTERRUPT-ON-CHANGE PORTC NEGATIVE EDGE REGISTER<sup>(1)</sup>

U-0	U-0	R/W-0/0	R/W-0/0	R/W-0/0	R/W-0/0	R/W-0/0	R/W-0/0
—	—	IOCCN5	IOCCN4	IOCCN3	IOCCN2	IOCCN1	IOCCN0
bit 7							bit 0

### Legend:

R = Readable bit                      W = Writable bit                      U = Unimplemented bit, read as '0'  
u = Bit is unchanged                  x = Bit is unknown                  -n/n = Value at POR and BOR/Value at all other Resets  
'1' = Bit is set                          '0' = Bit is cleared

bit 7-6                      **Unimplemented:** Read as '0'

bit 5-0                      **IOCCN<5:0>:** Interrupt-on-Change PORTC Negative Edge Enable bits<sup>(1)</sup>  
1 = Interrupt-on-Change enabled on the pin for a negative going edge. IOCCFx bit and IOCIF flag will be set upon detecting an edge.  
0 = Interrupt-on-Change disabled for the associated pin

**Note 1:** PIC16(L)F18323 only.

# PIC16(L)F18313/18323

**REGISTER 15-6: IOCCF: INTERRUPT-ON-CHANGE PORTC FLAG REGISTER<sup>(1)</sup>**

U-0	U-0	R/W/HS-0/0	R/W/HS-0/0	R/W/HS-0/0	R/W/HS-0/0	R/W/HS-0/0	R/W/HS-0/0
—	—	IOCCF5	IOCCF4	IOCCF3	IOCCF2	IOCCF1	IOCCF0
bit 7							bit 0

**Legend:**

R = Readable bit	W = Writable bit	U = Unimplemented bit, read as '0'
u = Bit is unchanged	x = Bit is unknown	-n/n = Value at POR and BOR/Value at all other Resets
'1' = Bit is set	'0' = Bit is cleared	HS - Bit is set in hardware

bit 7-6      **Unimplemented:** Read as '0'

bit 5-0      **IOCCF<5:0>:** Interrupt-on-Change PORTC Flag bits<sup>(1)</sup>

1 = An enabled change was detected on the associated pin.

Set when IOCCPx = 1 and a rising edge was detected on RCx, or when IOCCNx = 1 and a falling edge was detected on RCx.

0 = No change was detected, or the user cleared the detected change.

**Note 1:** PIC16(L)F18323 only.

**TABLE 15-1: SUMMARY OF REGISTERS ASSOCIATED WITH INTERRUPT-ON-CHANGE**

Name	Bit 7	Bit 6	Bit 5	Bit 4	Bit 3	Bit 2	Bit 1	Bit 0	Register on Page
ANSELA	—	—	ANSA4	ANSA4	—	ANSA2	ANSA1	ANSA0	132
ANSELC <sup>(1)</sup>	—	—	ANSC5	ANSC4	ANSC3	ANSC2	ANSC1	ANSC0	139
TRISA	—	—	TRISA5	TRISA4	— <sup>(2)</sup>	TRISA2	TRISA1	TRISA0	131
TRISC <sup>(1)</sup>	—	—	TRISC5	TRISC4	TRISC3	TRISC2	TRISC1	TRISC0	138
INTCON	GIE	PEIE	—	—	—	—	—	INTEDG	89
PIE0	—	—	TMR0IE	IOCIE	—	—	—	INTE	90
IOCAP	—	—	IOCAP5	IOCAP4	IOCAP3	IOCAP2	IOCAP1	IOCAP0	156
IOCAN	—	—	IOCAN5	IOCAN4	IOCAN3	IOCAN2	IOCAN1	IOCAN0	156
IOCAF	—	—	IOCAF5	IOCAF4	IOCAF3	IOCAF2	IOCAF1	IOCAF0	157
IOCCP <sup>(1)</sup>	—	—	IOCCP5	IOCCP4	IOCCP3	IOCCP2	IOCCP1	IOCCP0	158
IOCCN <sup>(1)</sup>	—	—	IOCCN5	IOCCN4	IOCCN3	IOCCN2	IOCCN1	IOCCN0	158
IOCCF <sup>(1)</sup>	—	—	IOCCF5	IOCCF4	IOCCF3	IOCCF2	IOCCF1	IOCCF0	159

**Legend:** — = unimplemented location, read as '0'. Shaded cells are not used by interrupt-on-change.

**Note 1:** PIC16(L)F18323 only.

**2:** Unimplemented, read as '1'.

# PIC16(L)F18313/18323

## 16.0 FIXED VOLTAGE REFERENCE (FVR)

The Fixed Voltage Reference, or FVR, is a stable voltage reference, independent of  $V_{DD}$ , with 1.024V, 2.048V or 4.096V selectable output levels. The output of the FVR subsystem can be configured to supply a reference voltage to the following:

- ADC input channel
- ADC positive reference
- Comparator positive input
- Digital-to-Analog Converter (DAC)

The FVR can be enabled by setting the FVREN bit of the FVRCON register.

**Note:** Fixed Voltage Reference output cannot exceed  $V_{DD}$ .

## 16.1 Independent Gain Amplifiers

The output of the FVR, which is supplied to the ADC, Comparators and DAC, is routed through two independent programmable gain amplifiers. Each amplifier can be programmed for a gain of 1x, 2x or 4x, to produce the three possible voltage levels.

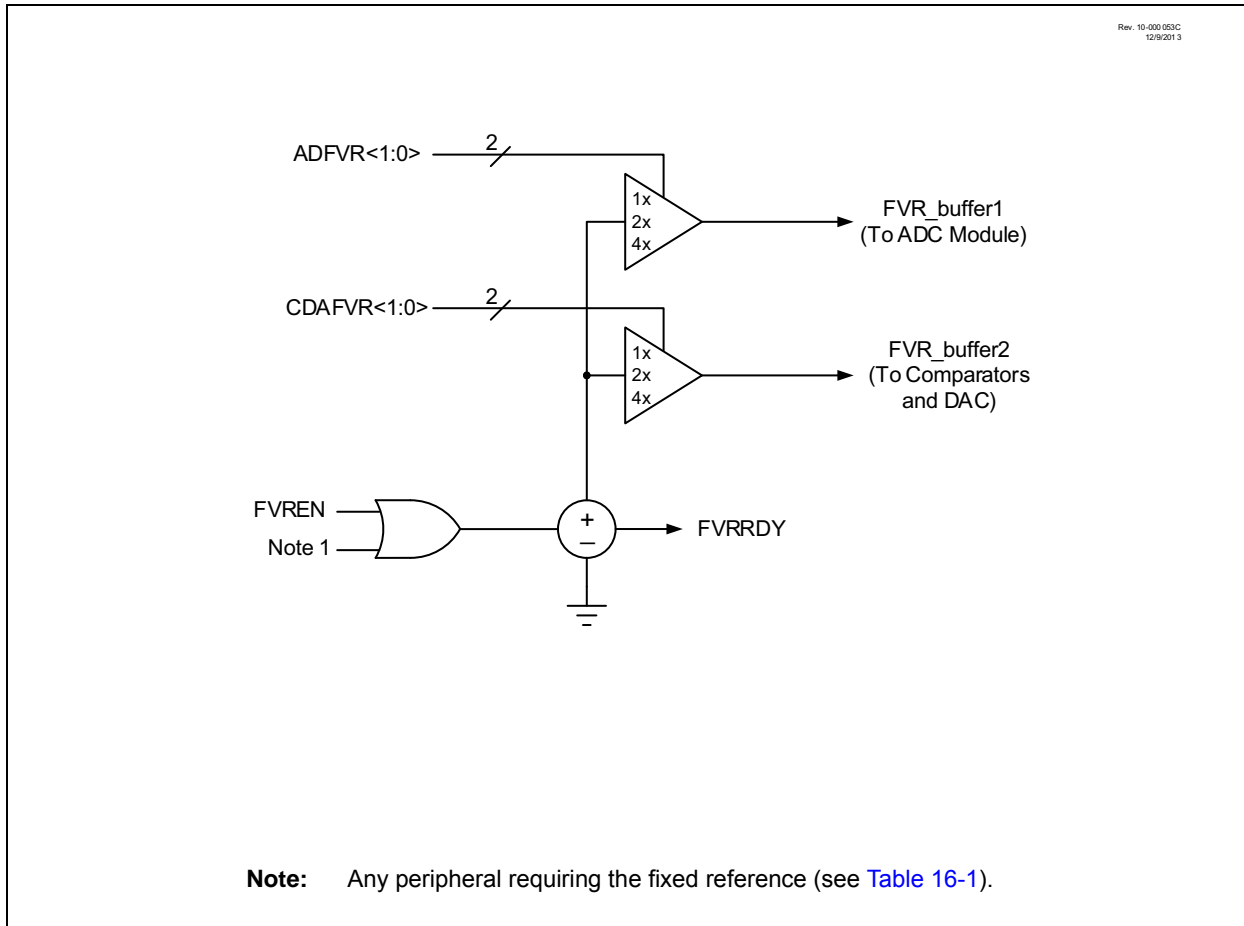
The ADFVR<1:0> bits of the FVRCON register are used to enable and configure the gain amplifier settings for the reference supplied to the ADC module. Reference [Section 22.0 “Analog-to-Digital Converter \(ADC\) Module”](#) for additional information.

The CDAFVR<1:0> bits of the FVRCON register are used to enable and configure the gain amplifier settings for the reference supplied to the DAC and comparator module. Reference [Section 24.0 “5-bit Digital-to-Analog Converter \(DAC1\) Module”](#) and [Section 18.0 “Comparator Module”](#) for additional information.

## 16.2 FVR Stabilization Period

When the Fixed Voltage Reference module is enabled, it requires time for the reference and amplifier circuits to stabilize. See [Table 35-16](#) for FVR start-up times.

FIGURE 16-1: VOLTAGE REFERENCE BLOCK DIAGRAM





## 16.3 Register Definitions: FVR Control

### REGISTER 16-1: FVRCON: FIXED VOLTAGE REFERENCE CONTROL REGISTER

R/W-0/0	R-q/q	R/W-0/0	R/W-0/0	R/W-0/0	R/W-0/0	R/W-0/0	R/W-0/0
FVREN	FVRRDY <sup>(1)</sup>	TSEN <sup>(3)</sup>	TSRNG <sup>(3)</sup>	CDAFVR<1:0>		ADFVR<1:0>	
bit 7						bit 0	

#### Legend:

R = Readable bit	W = Writable bit	U = Unimplemented bit, read as '0'
u = Bit is unchanged	x = Bit is unknown	-n/n = Value at POR and BOR/Value at all other Resets
'1' = Bit is set	'0' = Bit is cleared	q = Value depends on condition

- bit 7      **FVREN:** Fixed Voltage Reference Enable bit  
 1 = Fixed Voltage Reference is enabled  
 0 = Fixed Voltage Reference is disabled
- bit 6      **FVRRDY:** Fixed Voltage Reference Ready Flag bit<sup>(1)</sup>  
 1 = Fixed Voltage Reference output is ready for use  
 0 = Fixed Voltage Reference output is not ready or not enabled
- bit 5      **TSEN:** Temperature Indicator Enable bit<sup>(3)</sup>  
 1 = Temperature Indicator is enabled  
 0 = Temperature Indicator is disabled
- bit 4      **TSRNG:** Temperature Indicator Range Selection bit<sup>(3)</sup>  
 1 =  $V_{OUT} = V_{DD} - 4V_T$  (High Range)  
 0 =  $V_{OUT} = V_{DD} - 2V_T$  (Low Range)
- bit 3-2    **CDAFVR<1:0>:** Comparator FVR Buffer Gain Selection bits  
 11 = Comparator FVR Buffer Gain is 4x, (4.096V)<sup>(2)</sup>  
 10 = Comparator FVR Buffer Gain is 2x, (2.048V)<sup>(2)</sup>  
 01 = Comparator FVR Buffer Gain is 1x, (1.024V)  
 00 = Comparator FVR Buffer is off
- bit 1-0    **ADFVR<1:0>:** ADC FVR Buffer Gain Selection bit  
 11 = ADC FVR Buffer Gain is 4x, (4.096V)<sup>(2)</sup>  
 10 = ADC FVR Buffer Gain is 2x, (2.048V)<sup>(2)</sup>  
 01 = ADC FVR Buffer Gain is 1x, (1.024V)  
 00 = ADC FVR Buffer is off

- Note 1:** FVRRDY is always '1'.  
**Note 2:** Fixed Voltage Reference output cannot exceed  $V_{DD}$ .  
**Note 3:** See [Section 17.0 "Temperature Indicator Module"](#) for additional information.

# PIC16(L)F18313/18323

**TABLE 16-1: SUMMARY OF REGISTERS ASSOCIATED WITH FIXED VOLTAGE REFERENCE**

Name	Bit 7	Bit 6	Bit 5	Bit 4	Bit 3	Bit 2	Bit 1	Bit 0	Register on page
FVRCON	FVREN	FVRRDY	TSEN	TSRNG	CDAFVR<1:0>		ADFVR<1:0>		<a href="#">161</a>
ADCON0	CHS<5:0>						GO/DONE	ADON	<a href="#">225</a>
ADCON1	ADFM	ADCS<2:0>			—	ADNREF	ADPREF<1:0>		<a href="#">226</a>
CMxCON1	CxINTP	CxINTN	CxPCH<2:0>			CxNCH<2:0>			<a href="#">172</a>
DAC1CON0	DAC1EN	—	DAC1OE	—	DAC1PPS<1:0>		—	DAC1NSS	<a href="#">244</a>

**Legend:** Shaded cells are not used with the Fixed Voltage Reference.

## 17.0 TEMPERATURE INDICATOR MODULE

This family of devices is equipped with a temperature circuit designed to measure the operating temperature of the silicon die. The circuit's range of operating temperature falls between -40°C and +85°C. The output is a voltage that is proportional to the device temperature. The output of the temperature indicator is internally connected to the device ADC.

The circuit may be used as a temperature threshold detector or a more accurate temperature indicator, depending on the level of calibration performed. A one-point calibration allows the circuit to indicate a temperature closely surrounding that point. A two-point calibration allows the circuit to sense the entire range of temperature more accurately. Reference Application Note AN2092, "Using the Temperature Indicator Module" (DS00002092) for more details regarding the calibration process.

### 17.1 Circuit Operation

Figure 17-1 shows a simplified block diagram of the temperature circuit. The proportional voltage output is achieved by measuring the forward voltage drop across multiple silicon junctions.

Equation 17-1 describes the output characteristics of the temperature indicator.

#### EQUATION 17-1: $V_{OUT}$ RANGES

$$\text{High Range: } V_{OUT} = V_{DD} - 4V_T$$

$$\text{Low Range: } V_{OUT} = V_{DD} - 2V_T$$

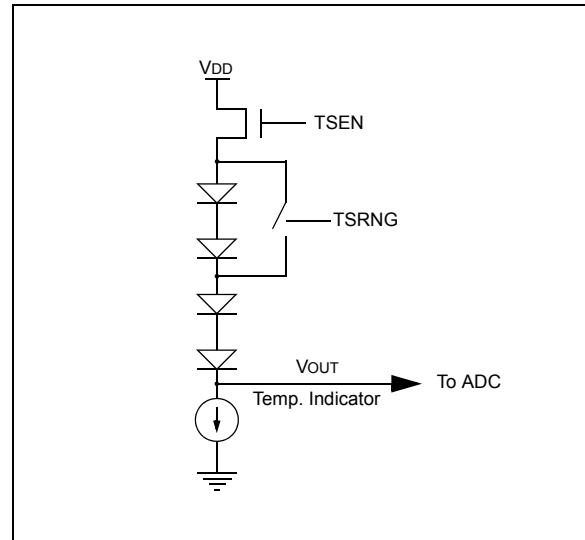
The temperature sense circuit is integrated with the Fixed Voltage Reference (FVR) module. See Section 16.0 "Fixed Voltage Reference (FVR)" for more information.

The circuit is enabled by setting the TSEN bit of the FVRCON register. When disabled, the circuit draws no current.

The circuit operates in either high or low range. The high range, selected by setting the TSRNG bit of the FVRCON register, provides a wider output voltage. This provides more resolution over the temperature range. This range requires a higher bias voltage to operate and thus, a higher VDD is needed.

The low range is selected by clearing the TSRNG bit of the FVRCON register. The low range generates a lower voltage drop and thus, a lower VDD voltage is needed to operate the circuit. The low range is provided for low voltage operation.

FIGURE 17-1: TEMPERATURE CIRCUIT DIAGRAM



### 17.2 Minimum Operating VDD

When the temperature circuit is operated in low range, the device may be operated at any operating voltage that is within specifications.

When the temperature circuit is operated in high range, the device operating voltage, VDD, must be high enough to ensure that the temperature circuit is correctly biased.

Table 17-1 shows the recommended minimum VDD vs. range setting.

TABLE 17-1: RECOMMENDED VDD VS. RANGE

Min. VDD, TSRNG = 1	Min. VDD, TSRNG = 0
3.6V	1.8V

### 17.3 Temperature Output

The output of the circuit is measured using the internal Analog-to-Digital Converter. A channel is provided for the temperature circuit output. Refer to Section 22.0 "Analog-to-Digital Converter (ADC) Module" for detailed information.

# PIC16(L)F18313/18323

---

## 17.4 ADC Acquisition Time

To ensure accurate temperature measurements, the user must wait at least 200  $\mu$ s after the ADC input multiplexer is connected to the temperature indicator output before the conversion is performed.

**TABLE 17-2: SUMMARY OF REGISTERS ASSOCIATED WITH THE TEMPERATURE INDICATOR**

Name	Bit 7	Bit 6	Bit 5	Bit 4	Bit 3	Bit 2	Bit 1	Bit 0	Register on page
FVRCON	FVREN	FVRRDY	TSEN	TSRNG	CDAFVR<1:0>		ADFVR<1:0>		161

**Legend:** Shaded cells are unused by the temperature indicator module.

## 18.0 COMPARATOR MODULE

Comparators are used to interface analog circuits to a digital circuit by comparing two analog voltages and providing a digital indication of their relative magnitudes. Comparators are very useful mixed signal building blocks because they provide analog functionality independent of program execution. The analog comparator module includes the following features:

- Programmable input selection
  - Selectable voltage reference
- Programmable output polarity
- Rising/falling output edge interrupts
- Wake-up from Sleep
- CWG Auto-shutdown source

### 18.1 Comparator Overview

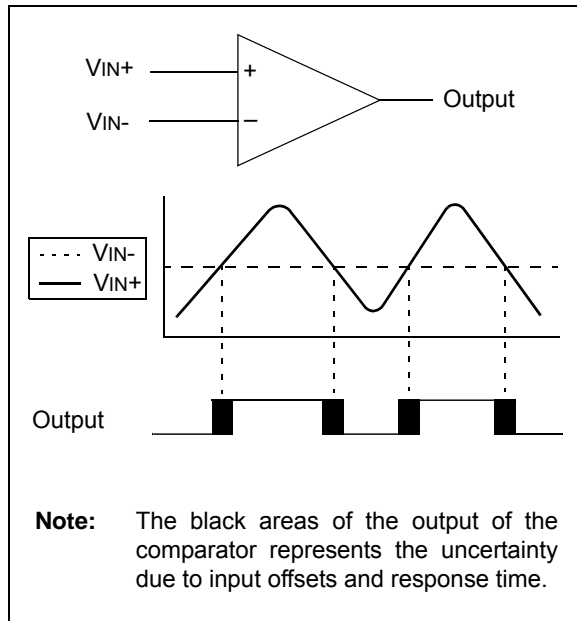
A single comparator is shown in [Figure 18-1](#) along with the relationship between the analog input levels and the digital output. When the analog voltage at  $V_{IN+}$  is less than the analog voltage at  $V_{IN-}$ , the output of the comparator is a digital low level. When the analog voltage at  $V_{IN+}$  is greater than the analog voltage at  $V_{IN-}$ , the output of the comparator is a digital high level.

The comparators available for this device are located in [Table 18-1](#).

**TABLE 18-1: AVAILABLE COMPARATORS**

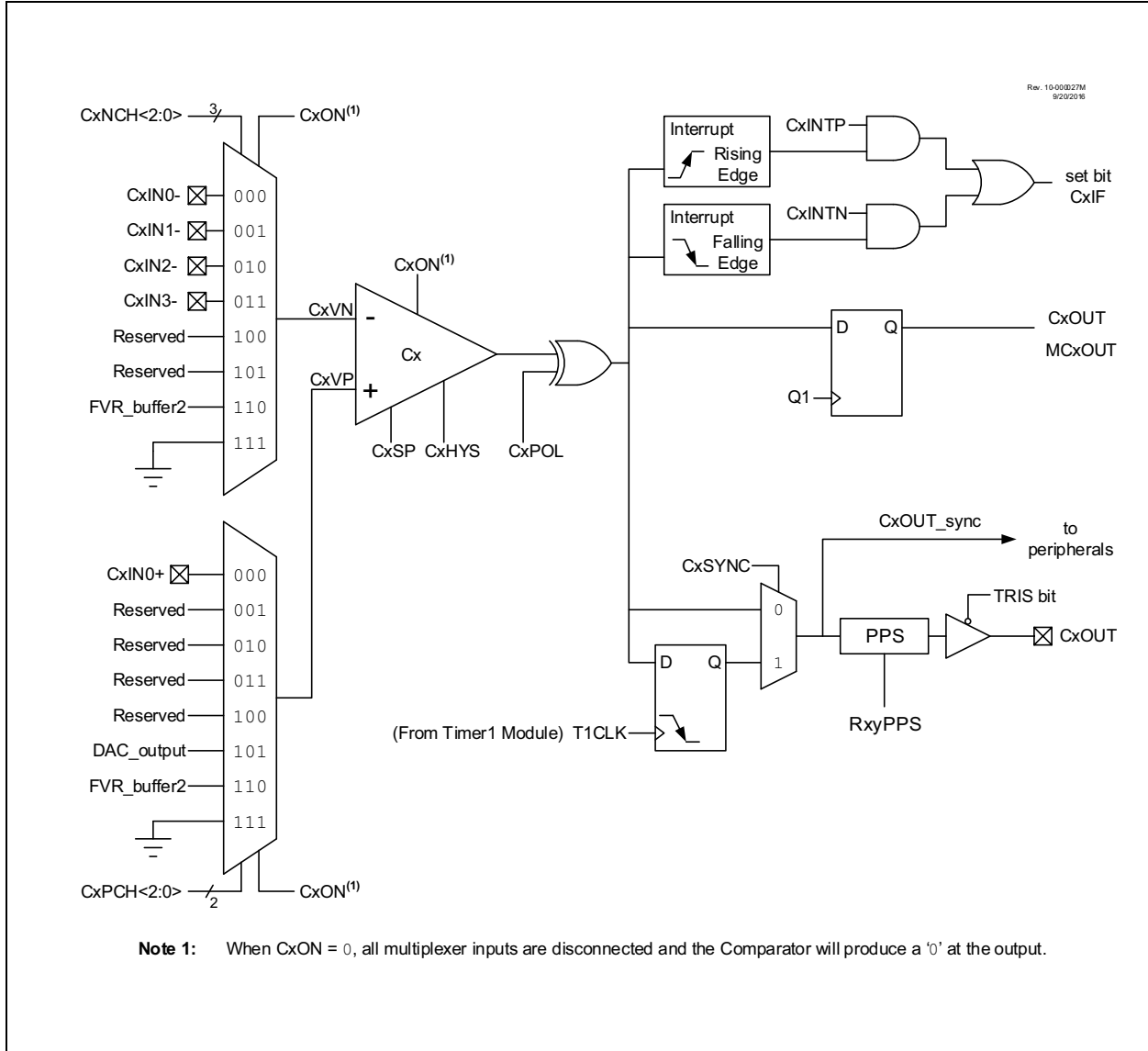
Device	C1	C2
PIC16(L)F18313	•	
PIC16(L)F18323	•	•

**FIGURE 18-1: SINGLE COMPARATOR**



# PIC16(L)F18313/18323

**FIGURE 18-2: COMPARATOR MODULE SIMPLIFIED BLOCK DIAGRAM**



## 18.2 Comparator Control

Each comparator has two control registers: CMxCON0 and CMxCON1.

The CMxCON0 register (see [Register 18-1](#)) contains Control and Status bits for the following:

- Enable
- Output
- Output polarity
- Hysteresis enable
- Timer1 output synchronization

The CMxCON1 register (see [Register 18-2](#)) contains Control bits for the following:

- Interrupt on positive/negative edge enables
- Positive input channel selection
- Negative input channel selection

### 18.2.1 COMPARATOR ENABLE

Setting the CxON bit of the CMxCON0 register enables the comparator for operation. Clearing the CxON bit disables the comparator resulting in minimum current consumption.

### 18.2.2 COMPARATOR OUTPUT

The output of the comparator can be monitored by reading either the CxOUT bit of the CMxCON0 register or the MCxOUT bit of the CMOUT register.

The comparator output can also be routed to an external pin through the RxyPPS register ([Register 13-2](#)). The corresponding TRIS bit must be clear to enable the pin as an output.

**Note 1:** The internal output of the comparator is latched with each instruction cycle. Unless otherwise specified, external outputs are not latched.

### 18.2.3 COMPARATOR OUTPUT POLARITY

Inverting the output of the comparator is functionally equivalent to swapping the comparator inputs. The polarity of the comparator output can be inverted by setting the CxPOL bit of the CMxCON0 register. Clearing the CxPOL bit results in a non-inverted output.

[Table 18-2](#) shows the output state versus input conditions, including polarity control.

**TABLE 18-2: COMPARATOR OUTPUT STATE VS. INPUT CONDITIONS**

Input Condition	CxPOL	CxOUT
$CxVN > CxVP$	0	0
$CxVN < CxVP$	0	1
$CxVN > CxVP$	1	1
$CxVN < CxVP$	1	0

## 18.3 Comparator Hysteresis

A selectable amount of separation voltage can be added to the input pins of each comparator to provide a hysteresis function to the overall operation. Hysteresis is enabled by setting the CxHYS bit of the CMxCON0 register.

See Comparator Specifications in [Table 35-14](#) for more information.

## 18.4 Timer1 Gate Operation

The output resulting from a comparator operation can be used as a source for gate control of Timer1. See [Section 27.5 “Timer1 Gate”](#) for more information. This feature is useful for timing the duration or interval of an analog event.

It is recommended that the comparator output be synchronized to Timer1. This ensures that Timer1 does not increment while a change in the comparator is occurring.

### 18.4.1 COMPARATOR OUTPUT SYNCHRONIZATION

The output from a comparator can be synchronized with Timer1 by setting the CxSYNC bit of the CMxCON0 register.

Once enabled, the comparator output is latched on the falling edge of the Timer1 source clock. This allows the timer/counter to synchronize with the CxOUT bit so that the software sees no ambiguity due to timing. See the Comparator Block Diagram ([Figure 18-2](#)) and the Timer1 Block Diagram ([Figure 27-1](#)) for more information.

# PIC16(L)F18313/18323

## 18.5 Comparator Interrupt

An interrupt can be generated when either the rising edge or falling edge detector detects a change in the output value of each comparator.

When either edge detector is triggered and its associated enable bit is set (CxINTP and/or CxINTN bits of the CMxCON1 register), the Corresponding Interrupt Flag bit (CxIF bit of the PIR2 register) will be set.

To enable the interrupt, you must set the following bits:

- CxON bit of the CMxCON0 register
- CxIE bit of the PIE2 register
- CxINTP bit of the CMxCON1 register (for a rising edge detection)
- CxINTN bit of the CMxCON1 register (for a falling edge detection)
- PEIE and GIE bits of the INTCON register

The associated interrupt flag bit, CxIF bit of the PIR2 register, must be cleared in software. If another edge is detected while this flag is being cleared, the flag will still be set at the end of the sequence.

**Note:** Although a comparator is disabled, an interrupt can be generated by changing the output polarity with the CxPOL bit of the CMxCON0 register, or by switching the comparator on or off with the CxON bit of the CMxCON0 register.

## 18.6 Comparator Positive Input Selection

Configuring the CxPCH<2:0> bits of the CMxCON1 register directs an internal voltage reference or an analog pin to the non-inverting input of the comparator:

- CxIN0+ analog pin
- DAC output
- FVR (Fixed Voltage Reference)
- Vss (Ground)

See [Section 16.0 “Fixed Voltage Reference \(FVR\)”](#) for more information on the Fixed Voltage Reference module.

See [Section 24.0 “5-bit Digital-to-Analog Converter \(DAC1\) Module”](#) for more information on the DAC input signal.

Any time the comparator is disabled (CxON = 0), all comparator inputs are disabled.

## 18.7 Comparator Negative Input Selection

The CxNCH<2:0> bits of the CMxCON1 register direct an analog input pin and internal reference voltage or analog ground to the inverting input of the comparator:

- CxIN- pin
- FVR (Fixed Voltage Reference)
- Analog Ground

**Note:** To use CxINy+ and CxINy- pins as analog input, the appropriate bits must be set in the ANSEL register and the corresponding TRIS bits must also be set to disable the output drivers.

## 18.8 Comparator Response Time

The comparator output is indeterminate for a period of time after the change of an input source or the selection of a new reference voltage. This period is referred to as the response time. The response time of the comparator differs from the settling time of the voltage reference. Therefore, both of these times must be considered when determining the total response time to a comparator input change. See the Comparator and Voltage Reference Specifications in [Table 35-14](#) for more details.



## 18.9 Analog Input Connection Considerations

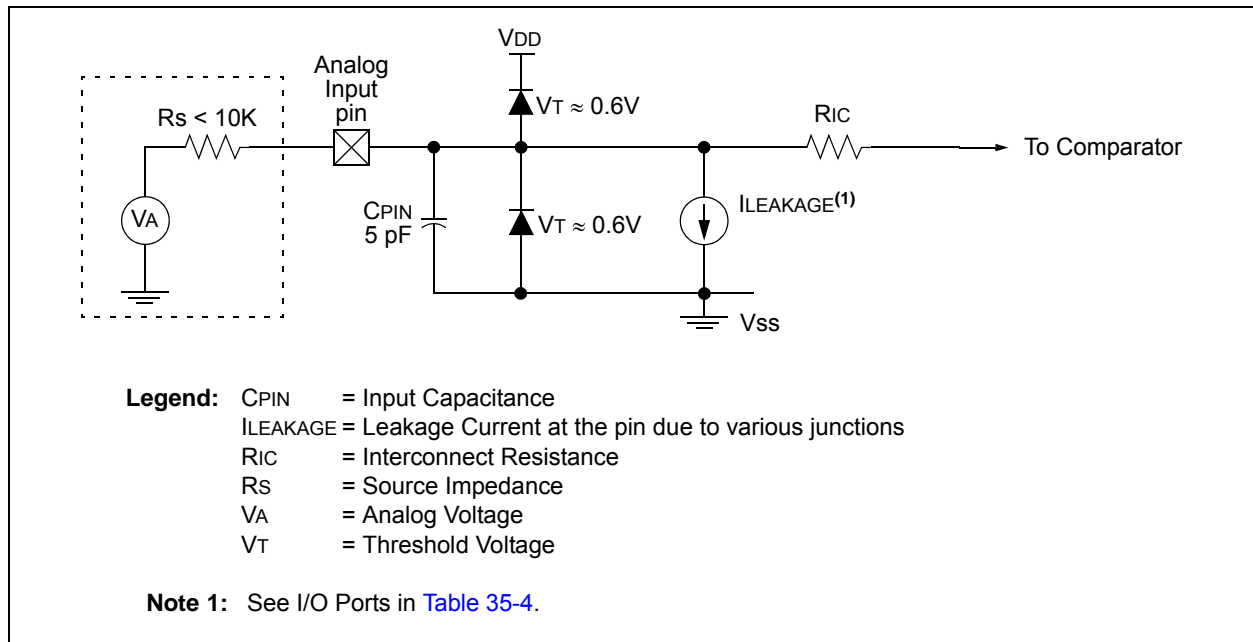
A simplified circuit for an analog input is shown in Figure 18-3. Since the analog input pins share their connection with a digital input, they have reverse biased ESD protection diodes to VDD and VSS. The analog input, therefore, must be between VSS and VDD. If the input voltage deviates from this range by more than 0.6V in either direction, one of the diodes is forward biased and a latch-up may occur.

A maximum source impedance of 10 kΩ is recommended for the analog sources. Also, any external component connected to an analog input pin, such as a capacitor or a Zener diode, should have very little leakage current to minimize inaccuracies introduced.

**Note 1:** When reading a PORT register, all pins configured as analog inputs will read as a '0'. Pins configured as digital inputs will provide an input based on their level as either a TTL or ST input buffer.

**2:** Analog levels on any pin defined as a digital input, may cause the input buffer to consume more current than is specified.

**FIGURE 18-3: ANALOG INPUT MODEL**



# PIC16(L)F18313/18323

---

## 18.10 CWG Auto-shutdown Source

The output of the comparator module can be used as an auto-shutdown source for the CWG module. When the output of the comparator is active and the corresponding ASxE is enabled, the CWG operation will be suspended immediately ([Section 20.7.1.2 “External Input Source Shutdown”](#)).

## 18.11 Operation in Sleep Mode

The comparator module can operate during Sleep. The comparator clock source is based on the Timer1 clock source. If the Timer1 clock source is either the system clock (Fosc) or the instruction clock (Fosc/4), Timer1 will not operate during Sleep, and synchronized comparator outputs will not operate.

A comparator interrupt will wake the device from Sleep. The CxIE bits of the PIE2 register must be set to enable comparator interrupts.

## 18.12 Register Definitions: Comparator Control

**REGISTER 18-1: CMxCON0: COMPARATOR Cx CONTROL REGISTER 0**

R/W-0/0	R-0/0	U-0	R/W-0/0	U-0	R/W-1/1	R/W-0/0	R/W-0/0
CxON	CxOUT	—	CxPOL	—	CxSP	CxHYS	CxSYNC
bit 7							bit 0

**Legend:**

R = Readable bit	W = Writable bit	U = Unimplemented bit, read as '0'
u = Bit is unchanged	x = Bit is unknown	-n/n = Value at POR and BOR/Value at all other Resets
'1' = Bit is set	'0' = Bit is cleared	

- bit 7      **CxON:** Comparator Enable bit  
           1 = Comparator is enabled  
           0 = Comparator is disabled and consumes no active power
- bit 6      **CxOUT:** Comparator Output bit  
           If CxPOL = 1 (inverted polarity):  
           1 = CxVP < CxVN  
           0 = CxVP > CxVN  
           If CxPOL = 0 (non-inverted polarity):  
           1 = CxVP > CxVN  
           0 = CxVP < CxVN
- bit 5      **Unimplemented:** Read as '0'
- bit 4      **CxPOL:** Comparator Output Polarity Select bit  
           1 = Comparator output is inverted  
           0 = Comparator output is not inverted
- bit 3      **Unimplemented:** Read as '0'
- bit 2      **CxSP:** Comparator Speed/Power Select bit  
           1 = Comparator operates in Normal-Power, High-Speed mode  
           0 = Reserved. (do not use)
- bit 1      **CxHYS:** Comparator Hysteresis Enable bit  
           1 = Comparator hysteresis enabled  
           0 = Comparator hysteresis disabled
- bit 0      **CxSYNC:** Comparator Output Synchronous Mode bit  
           1 = Comparator output to Timer1 and I/O pin is synchronous to changes on Timer1 clock source.  
               Output updated on the falling edge of Timer1 clock source.  
           0 = Comparator output to Timer1 and I/O pin is asynchronous

# PIC16(L)F18313/18323

**REGISTER 18-2: CMxCON1: COMPARATOR Cx CONTROL REGISTER 1**

R/W-0/0	R/W-0/0	R/W-0/0	R/W-0/0	R/W-0/0	R/W-0/0	R/W-0/0	R/W-0/0
CxINTP	CxINTN	CxPCH<2:0>			CxNCH<2:0>		
bit 7							bit 0

**Legend:**

R = Readable bit	W = Writable bit	U = Unimplemented bit, read as '0'
u = Bit is unchanged	x = Bit is unknown	-n/n = Value at POR and BOR/Value at all other Resets
'1' = Bit is set	'0' = Bit is cleared	

- bit 7      **CxINTP:** Comparator Interrupt on Positive Going Edge Enable bits  
 1 = The CxIF interrupt flag will be set upon a positive going edge of the CxOUT bit  
 0 = No interrupt flag will be set on a positive going edge of the CxOUT bit
- bit 6      **CxINTN:** Comparator Interrupt on Negative Going Edge Enable bits  
 1 = The CxIF interrupt flag will be set upon a negative going edge of the CxOUT bit  
 0 = No interrupt flag will be set on a negative going edge of the CxOUT bit
- bit 5-3    **CxPCH<2:0>:** Comparator Positive Input Channel Select bits  
 111 = CxVP connects to Vss  
 110 = CxVP connects to FVR Buffer 2  
 101 = CxVP connects to DAC output  
 100 = CxVP unconnected  
 011 = CxVP unconnected  
 010 = CxVP unconnected  
 001 = CxVN unconnected  
 000 = CxVP connects to CxIN0+ pin
- bit 2-0    **CxNCH<2:0>:** Comparator Negative Input Channel Select bits  
 111 = CxVN connects to Vss  
 110 = CxVN connects to FVR Buffer 2  
 101 = CxVN unconnected  
 100 = CxVN unconnected  
 011 = CxVN connects to CxIN3- pin<sup>(1)</sup>  
 010 = CxVN connects to CxIN2- pin<sup>(1)</sup>  
 001 = CxVN connects to CxIN1- pin  
 000 = CxVN connects to CxIN0- pin

**Note 1:** PIC16(L)F18323 only.

# PIC16(L)F18313/18323

**REGISTER 18-3: CMOUT: COMPARATOR OUTPUT REGISTER**

U-0	U-0	U-0	U-0	U-0	U-0	R-0/0	R-0/0
—	—	—	—	—	—	MC2OUT <sup>(1)</sup>	MC1OUT
bit 7						bit 0	

**Legend:**

R = Readable bit	W = Writable bit	U = Unimplemented bit, read as '0'
u = Bit is unchanged	x = Bit is unknown	-n/n = Value at POR and BOR/Value at all other Resets
'1' = Bit is set	'0' = Bit is cleared	

bit 7-2      **Unimplemented:** Read as '0'

bit 1      **MC2OUT:** Mirror Copy of C2OUT bit<sup>(1)</sup>

bit 0      **MC1OUT:** Mirror Copy of C1OUT bit

**Note 1:** PIC16(L)F18323 only.

**TABLE 18-3: SUMMARY OF REGISTERS ASSOCIATED WITH COMPARATOR MODULE**

Name	Bit 7	Bit 6	Bit 5	Bit 4	Bit 3	Bit 2	Bit 1	Bit 0	Register on Page
ANSELA	—	—	ANSA5	ANSA4	—	ANSA2	ANSA1	ANSA0	132
ANSELC <sup>(1)</sup>	—	—	ANSC5	ANSC4	ANSC3	ANSC2	ANSC1	ANSC0	139
TRISA	—	—	TRISA5	TRISA4	—	TRISA2	TRISA1	TRISA0	131
TRISC <sup>(1)</sup>	—	—	TRISC5	TRISC4	TRISC3	TRISC2	TRISC1	TRISC0	138
CMxCON0	CxON	CxOUT	—	CxPOL	—	CxSP	CxHYS	CxSYNC	171
CMxCON1	CxINTP	CxINTN	CxPCH<2:0>			CxNCH<2:0>			172
CMOUT	—	—	—	—	—	—	MC2OUT <sup>(1)</sup>	MC1OUT	173
FVRCON	FVREN	FVRRDY	TSEN	TSRNG	CDAFVR<1:0>		ADFVR<1:0>		161
DACCON0	DAC1EN	—	DAC1OE	—	DAC1PSS<1:0>		—	DAC1NSS	244
DACCON1	—	—	—	DAC1R<4:0>					245
INTCON	GIE	PEIE	—	—	—	—	—	INTEDG	89
PIE2	—	C2IE <sup>(1)</sup>	C1IE	NVMIE	—	—	—	NCO1IE	92
PIR2	—	C2IF <sup>(1)</sup>	C1IF	NVMIF	—	—	—	NCO1IF	97
CLCINxPPS	—	—	—	CLCINxPPS<4:0>					144
MDMINPPS	—	—	—	MDMINPPS<4:0>					144
T1GPPS	—	—	—	T1GPPS<4:0>					144
CWG1AS1	—	—	—	—	AS3E	AS2E	AS1E	AS0E	199

**Legend:** — = unimplemented location, read as '0'. Shaded cells are unused by the comparator module.

**Note 1:** PIC16(L)F18323 only.

# PIC16(L)F18313/18323

## 19.0 PULSE-WIDTH MODULATION (PWM)

The PWMx modules generate Pulse Width Modulated (PWM) signals of varying frequency and duty cycle.

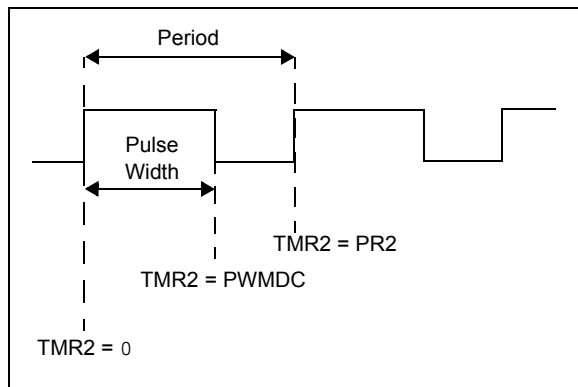
In addition to the CCP modules, the PIC16(L)F18313/18323 devices contain two PWM modules.

Pulse-Width Modulation (PWM) is a scheme that provides power to a load by switching quickly between fully on and fully off states. The PWM signal resembles a square wave where the high portion of the signal is considered the 'on' state (pulse width), and the low portion of the signal is considered the 'off' state. The term duty cycle describes the proportion of the 'on' time to the 'off' time and is expressed in percentages, where 0% is fully off and 100% is fully on. A lower duty cycle corresponds to less power applied and a higher duty cycle corresponds to more power applied. The PWM period is defined as the duration of one complete cycle or the total amount of on and off time combined.

PWM resolution defines the maximum number of steps that can be present in a single PWM period. A higher resolution allows for more precise control of the pulse width time and in turn the power that is applied to the load.

Figure 19-1 shows a typical waveform of the PWM signal.

**FIGURE 19-1: PWM OUTPUT**



## 19.1 Standard PWM Mode

The standard PWM mode generates a Pulse-Width Modulation (PWM) signal on the PWMx pin with up to ten bits of resolution. The period, duty cycle, and resolution are controlled by the following registers:

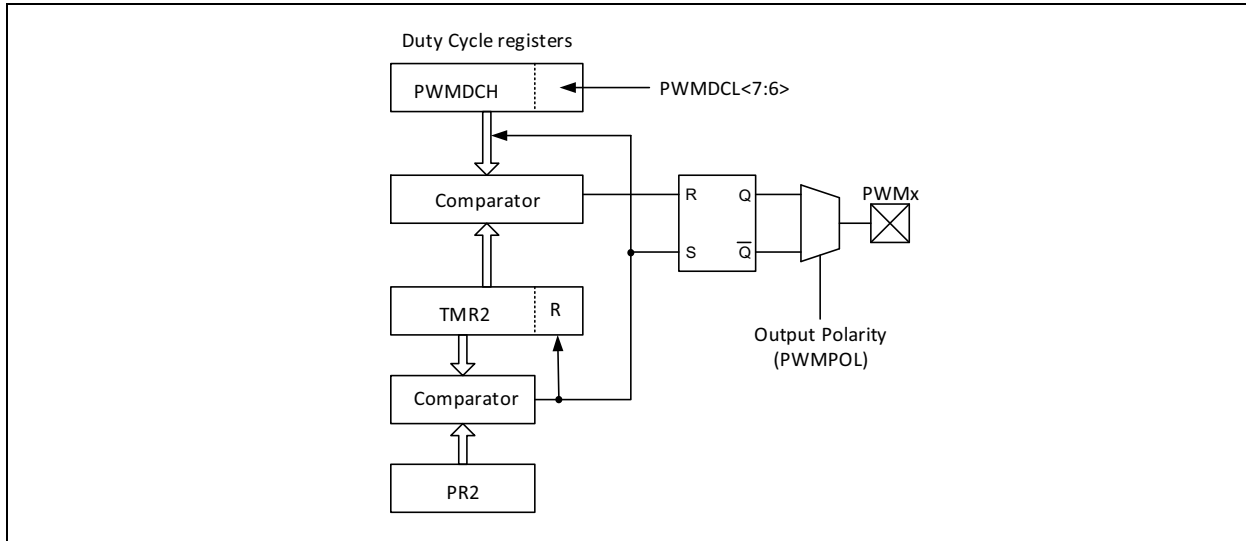
- TMR2 register
- PR2 register
- PWMxCON registers
- PWMxDCH registers
- PWMxDCL registers

Figure 29-2, "Compare Mode Operation Block Diagram" shows a simplified block diagram of the PWM operation.

If PWMPOL = 0, the default state of the output is '0'. If PWMPOL = 1, the default state is '1'. If PWMEN = '0', the output will be the default state.

**Note:** The corresponding TRIS bit must be cleared to enable the PWM output on the PWMx pin

**FIGURE 19-2: SIMPLIFIED PWM BLOCK DIAGRAM**



## 19.1.1 PWM PERIOD

Referring to [Figure 19-1](#), the PWM output has a period and a pulse width. The frequency of the PWM is the inverse of the period (1/period).

The PWM period is specified by writing to the PR2 register. The PWM period can be calculated using the following formula:

### EQUATION 19-1: PWM PERIOD

$$PWM\ Period = [(PR2) + 1] \cdot 4 \cdot T_{OSC} \cdot (TMR2\ Prescale\ Value)$$

**Note:**  $T_{OSC} = 1/F_{OSC}$

When TMR2 is equal to PR2, the following three events occur on the next increment cycle:

- TMR2 is cleared
- The PWMx pin is set (Exception: If the PWM duty cycle = 0%, the pin will not be set.)
- The PWM pulse width is latched from PWMxDC.

**Note:** If the pulse width value is greater than the period the assigned PWM pin(s) will remain unchanged.

## 19.1.2 PWM DUTY CYCLE

The PWM duty cycle is specified by writing a 10-bit value to the PWMxDC register. The PWMxDC contains the eight MSBs and bits <7:6> of the PWMxDCL register contain the two LSbs.

The PWMDC register is double-buffered and can be updated at any time. This double buffering is essential for glitch-free PWM operation. New values take effect when TMR2 = PR2. Note that PWMDC is left-justified.

The 8-bit timer TMR2 register is concatenated with either the 2-bit internal system clock (FOSC), or two bits of the prescaler, to create the 10-bit time base. The system clock is used if the Timer2 prescaler is set to 1:1.

[Equation 19-2](#) is used to calculate the PWM pulse width.

[Equation 19-3](#) is used to calculate the PWM duty cycle ratio.

### EQUATION 19-2: PULSE WIDTH

$$Pulse\ Width = (PWMxDC) \cdot T_{OSC} \cdot (TMR2\ Prescale\ Value)$$

### EQUATION 19-3: DUTY CYCLE RATIO

$$Duty\ Cycle\ Ratio = \frac{(PWMxDC)}{4(PR2 + 1)}$$

# PIC16(L)F18313/18323

## 19.1.3 PWM RESOLUTION

PWM resolution, expressed in number of bits, defines the maximum number of discrete steps that can be present in a single PWM period. For example, a 10-bit resolution will result in 1024 discrete steps, whereas an 8-bit resolution will result in 256 discrete steps.

The maximum PWM resolution is ten bits when PR2 is 255. The resolution is a function of the PR2 register value as shown by [Equation 19-4](#).

### EQUATION 19-4:

$$\text{Resolution} = \frac{\log[4(PR2 + 1)]}{\log(2)} \text{ bits}$$

**Note:** If the pulse width value is greater than the period the assigned PWM pin(s) will remain unchanged.

## 19.1.4 OPERATION IN SLEEP MODE

In Sleep mode, the TMR2 register will not increment and the state of the module will not change. If the PWMx pin is driving a value, it will continue to drive that value. When the device wakes up, TMR2 will continue from its previous state.

## 19.1.5 CHANGES IN SYSTEM CLOCK FREQUENCY

The PWM frequency is derived from the system clock frequency. Any changes in the system clock frequency will result in changes to the PWM frequency. See [Section 7.0, Oscillator Module](#) for additional details.

## 19.1.6 EFFECTS OF RESET

Any Reset will force all ports to Input mode and the PWMx registers to their Reset states.

## 19.1.7 SETUP FOR PWM OPERATION

The following steps should be taken when configuring the module for using the PWMx outputs:

1. Disable the PWMx pin output driver(s) by setting the associated TRIS bit(s).
2. Configure the PWM output polarity by configuring the PWMxPOL bit of the PWMxCON register.
3. Load the PR2 register with the PWM period value, as determined by [Equation 19-1](#).
4. Load the PWMxDCH register and bits <7:6> of the PWMxDCL register with the PWM duty cycle value, as determined by [Equation 19-2](#).
5. Configure and start Timer2:
  - Clear the TMR2IF interrupt flag bit of the PIR1 register.
  - Select the Timer2 prescale value by configuring the T2CKPS bit of the T2CON register.
  - Enable Timer2 by setting the TMR2ON bit of the T2CON register.
6. Wait until the TMR2IF is set.
7. When the TMR2IF flag bit is set:
  - Clear the associated TRIS bit(s) to enable the output driver.
  - Route the signal to the desired pin by configuring the RxyPPS register.
  - Enable the PWMx module by setting the PWMxEN bit of the PWMxCON register.

In order to send a complete duty cycle and period on the first PWM output, the above steps must be followed in the order given. If it is not critical to start with a complete PWM signal, then the PWM module can be enabled during Step 2 by setting the PWMxEN bit of the PWMxCON register.



## 19.2 Register Definitions: PWM Control

### REGISTER 19-1: PWMxCON: PWM CONTROL REGISTER

R/W-0/0	U-0	R-0	R/W-0/0	U-0	U-0	U-0	U-0
PWMxEN	—	PWMxOUT	PWMxPOL	—	—	—	—
bit 7							bit 0

#### Legend:

R = Readable bit	W = Writable bit	U = Unimplemented bit, read as '0'
u = Bit is unchanged	x = Bit is unknown	-n/n = Value at POR and BOR/Value at all other Resets
'1' = Bit is set	'0' = Bit is cleared	

- bit 7      **PWMxEN:** PWM Module Enable bit  
 1 = PWM module is enabled  
 0 = PWM module is disabled
- bit 6      **Unimplemented:** Read as '0'
- bit 5      **PWMxOUT:** PWM Module Output Level when bit is read.
- bit 4      **PWMxPOL:** PWMx Output Polarity Select bit  
 1 = PWM output is active-low.  
 0 = PWM output is active-high.
- bit 3-0    **Unimplemented:** Read as '0'

### REGISTER 19-2: PWMxDC: PWM DUTY CYCLE HIGH BITS

R/W-x/u	R/W-x/u	R/W-x/u	R/W-x/u	R/W-x/u	R/W-x/u	R/W-x/u	R/W-x/u
PWMxDC<9:2>							
bit 7							bit 0

#### Legend:

R = Readable bit	W = Writable bit	U = Unimplemented bit, read as '0'
u = Bit is unchanged	x = Bit is unknown	-n/n = Value at POR and BOR/Value at all other Resets
'1' = Bit is set	'0' = Bit is cleared	

- bit 7-0    **PWMxDC<9:2>:** PWM Duty Cycle Most Significant bits  
 These bits are the MSBs of the PWM duty cycle. The two LSBs are found in PWMxDCL Register.

### REGISTER 19-3: PWMxDCL: PWM DUTY CYCLE LOW BITS

R/W-x/u	R/W-x/u	U-0	U-0	U-0	U-0	U-0	U-0
PWMxDC<1:0>		—	—	—	—	—	—
bit 7							bit 0

#### Legend:

R = Readable bit	W = Writable bit	U = Unimplemented bit, read as '0'
u = Bit is unchanged	x = Bit is unknown	-n/n = Value at POR and BOR/Value at all other Resets
'1' = Bit is set	'0' = Bit is cleared	

- bit 7-6    **PWMxDC<1:0>:** PWM Duty Cycle Least Significant bits  
 These bits are the LSBs of the PWM duty cycle. The MSBs are found in PWMxDCH Register.
- bit 5-0    **Unimplemented:** Read as '0'

# PIC16(L)F18313/18323

---

---

**TABLE 19-1: EXAMPLE PWM FREQUENCIES AND RESOLUTIONS (Fosc = 20 MHz)**

PWM Frequency	1.22 kHz	4.88 kHz	19.53 kHz	78.12 kHz	156.3 kHz	208.3 kHz
Timer Prescale	16	4	1	1	1	1
PR2 Value	0xFF	0xFF	0xFF	0x3F	0x1F	0x17
Maximum Resolution (bits)	10	10	10	8	7	6.6

**TABLE 19-2: EXAMPLE PWM FREQUENCIES AND RESOLUTIONS (Fosc = 8 MHz)**

PWM Frequency	1.22 kHz	4.90 kHz	19.61 kHz	76.92 kHz	153.85 kHz	200.0 kHz
Timer Prescale	16	4	1	1	1	1
PR2 Value	0xFF	0xFF	0xFF	0x3F	0x1F	0x17
Maximum Resolution (bits)	10	10	10	8	7	6.6

# PIC16(L)F18313/18323

**TABLE 19-3: SUMMARY OF REGISTERS ASSOCIATED WITH PWMx**

Name	Bit 7	Bit 6	Bit 5	Bit 4	Bit 3	Bit 2	Bit 1	Bit 0	Register on Page
TRISA	—	—	TRISA5	TRISA4	— <sup>(2)</sup>	TRISA2	TRISA1	TRISA0	131
ANSELA	—	—	ANSA5	ANSA4	—	ANSA2	ANSA1	ANSA0	132
TRISC <sup>(1)</sup>	—	—	TRISC5	TRISC4	TRISC3	TRISC2	TRISC1	TRISC0	138
ANSEL <sup>(1)</sup>	—	—	ANSC5	ANSC4	ANSC3	ANSC2	ANSC1	ANSC0	139
PWM5CON	PWM5EN	—	PWM5OUT	PWM5POL	—	—	—	—	177
PWM5DCH	PWM5DC<9:2>								177
PWM5DCL	PWM5DC<1:0>		—	—	—	—	—	—	177
PWM6CON	PWM6EN	—	PWM6OUT	PWM6POL	—	—	—	—	177
PWM6DCH	PWM6DC<9:2>								177
PWM6DCL	PWM6DC<1:0>		—	—	—	—	—	—	177
INTCON	GIE	PEIE	—	—	—	—	—	INTEDG	89
PIR1	TMR1GIF	ADIF	RCIF	TXIF	SSP1IF	BCL1IF	TMR2IF	TMR1IF	96
PIR2	—	C2IF <sup>(1)</sup>	C1IF	NVMIF	—	—	—	NCO1IF	97
PIE1	TMR1GIE	ADIE	RCIE	TXIE	SSP1IE	BCL1IE	TMR2IE	TMR1IE	91
PIE2	—	C2IE <sup>(1)</sup>	C1IE	NVMIE	—	—	—	NCO1IE	92
T2CON	—	T2OUTPS<3:0>				TMR2ON	T2CKPS<1:0>		279
TMR2	TMR2<7:0>								280
PR2	PR2<7:0>								280
CWG1DAT	—	—	—	—	DAT<3:0>				196
CLCxSELY	—	—	LCxDyS<5:0>						210
MDSRC	—	—	—	—	MDMS<3:0>				253
MDCARH	—	MDCHPOL	MDCHSYN C	—	MDCH<3:0>				254
MDCARL	—	MDCLPOL	MDCLSYN	—	MDCL<3:0>				255

**Legend:** — = Unimplemented locations, read as '0'. Shaded cells are not used by the PWM module.

**Note 1:** PIC16(L)F18323 only.

**2:** Unimplemented, read as '1'.

# PIC16(L)F18313/18323

## 20.0 COMPLEMENTARY WAVEFORM GENERATOR (CWG) MODULE

The Complementary Waveform Generator (CWG1) produces complementary waveforms with dead-band delay from a selection of input sources.

The CWG1 module has the following features:

- Selectable dead-band clock source control
- Selectable input sources
- Output enable control
- Output polarity control
- Dead-band control with independent 6-bit rising and falling edge dead-band counters
- Auto-shutdown control with:
  - Selectable shutdown sources
  - Auto-restart enable
  - Auto-shutdown pin override control

### 20.1 Fundamental Operation

The CWG generates two output waveforms from the selected input source.

The off-to-on transition of each output can be delayed from the on-to-off transition of the other output, thereby, creating a time delay immediately where neither output is driven. This is referred to as dead time and is covered in [Section 20.6 “Dead-Band Control”](#).

It may be necessary to guard against the possibility of circuit faults or a feedback event arriving too late or not at all. In this case, the active drive must be terminated before the Fault condition causes damage. This is referred to as auto-shutdown and is covered in [Section 20.7 “Auto-Shutdown Control”](#).

## 20.2 Operating Modes

The CWG1 module can operate in six different modes, as specified by the MODE<2:0> bits of the CWG1CON0 register:

- Half-Bridge mode
- Push-Pull mode
- Asynchronous Steering mode
- Synchronous Steering mode
- Full-Bridge mode, Forward
- Full-Bridge mode, Reverse

All modes accept a single pulse data input, and provide up to four outputs as described in the following sections.

All modes include auto-shutdown control as described in [Section 20.11 “Register Definitions: CWG Control”](#)

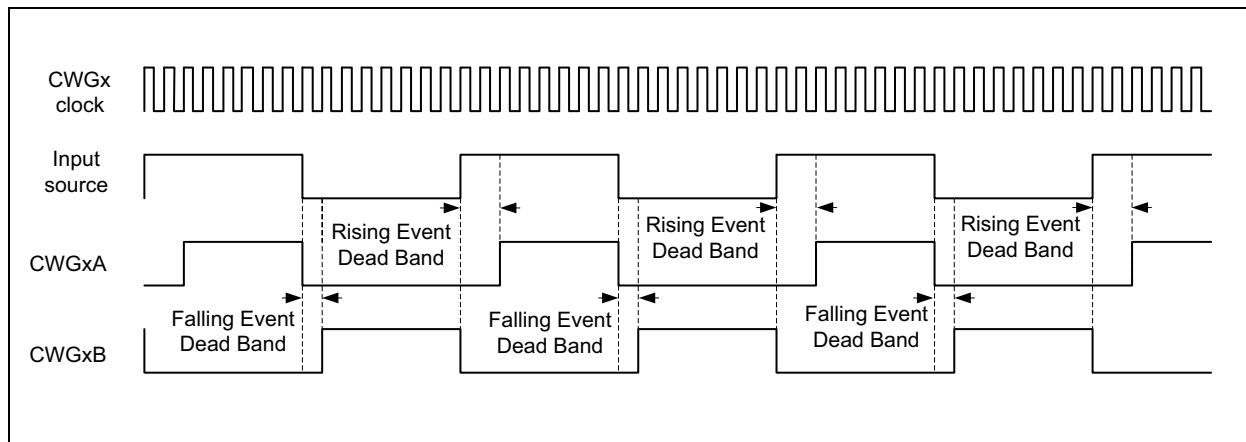
**Note:** Except as noted for Full-bridge mode ([Section 20.2.4 “Full-Bridge Modes”](#)), mode changes should only be performed while EN = 0 ([Register 20-1](#)).

### 20.2.1 HALF-BRIDGE MODE

In Half-Bridge mode, two output signals are generated as true and inverted versions of the input as illustrated in [Figure 20-1](#). A non-overlap (dead-band) time is inserted between the two outputs as described in [Section 20.6 “Dead-Band Control”](#). Steering modes are not used in Half-Bridge mode.

The unused outputs, CWG1C and CWG1D, drive similar signals with polarity independently controlled by POLC and POLD, respectively.

FIGURE 20-1: CWG1 HALF-BRIDGE MODE OPERATION



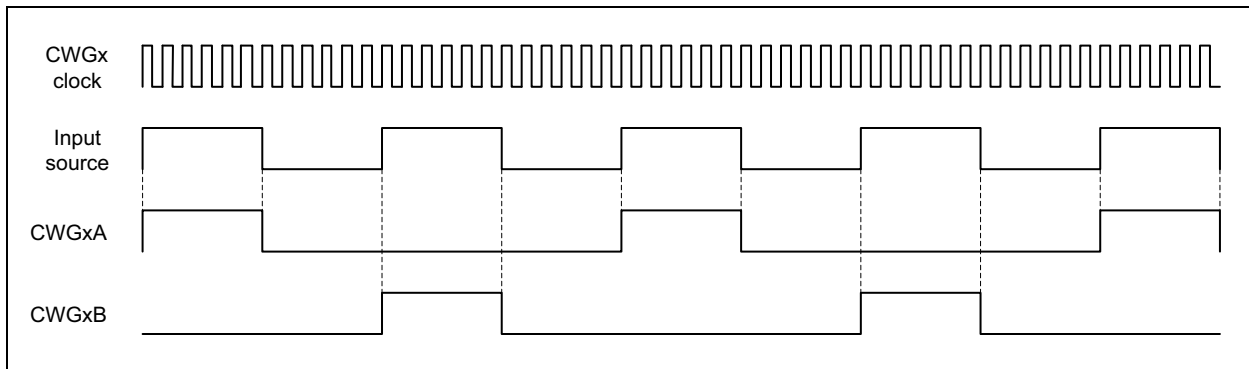
## 20.2.2 PUSH-PULL MODE

In Push-Pull mode, two output signals are generated, alternating copies of the input as illustrated in [Figure 20-2](#). This alternation creates the push-pull effect required for driving some transformer based power supply designs. Dead-band control is not used in Push-Pull mode. Steering modes are not used in Push-Pull mode.

The push-pull sequencer is reset whenever  $EN = 0$  or if an auto-shutdown event occurs. The sequencer is clocked by the first input pulse, and the first output appears on CWG1A.

The unused outputs CWG1C and CWG1D drive copies of CWG1A and CWG1B, respectively, but with polarity controlled by POLC and POLD.

**FIGURE 20-2: CWG1 PUSH-PULL MODE OPERATION**



## 20.2.3 STEERING MODES

In both Synchronous and Asynchronous Steering modes, the modulated input signal can be steered to any combination of four CWG outputs and a fixed-value will be presented on all the outputs not used for the PWM output. Each output has independent polarity, steering, and shutdown options. Dead-band control is not used in either Steering mode.

When  $STRy = 0$  ([Register 20-5](#)), the corresponding pin is held at the level defined by  $SDATy$  ([Register 20-5](#)). When  $STRy = 1$ , the pin is driven by the modulated input signal.

The  $POLy$  bits ([Register 20-2](#)) control the signal polarity only when  $STRy = 1$ .

The CWG auto-shutdown operation also applies to Steering modes as described in [Section 20.11 "Register Definitions: CWG Control"](#).

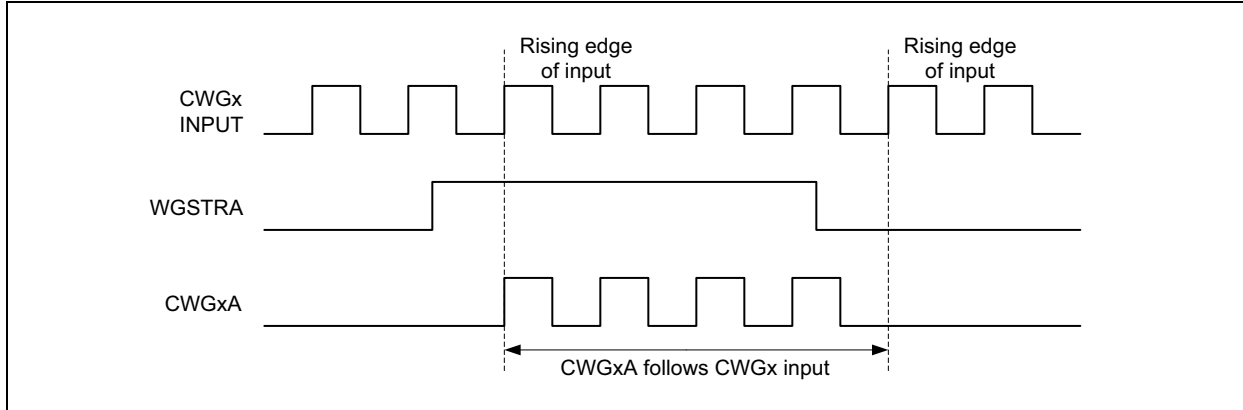
**Note:** Only the  $STRy$  bits are synchronized; the  $DATy$  (data) bits are not synchronized.

# PIC16(L)F18313/18323

## 20.2.3.1 Synchronous Steering Mode

In Synchronous Steering mode (MODE<2:0> bits = 001, [Register 20-1](#)), changes to steering selection registers take effect on the next rising edge of the modulated data input ([Figure 20-3](#)). In Synchronous Steering mode, the output will always produce a complete waveform.

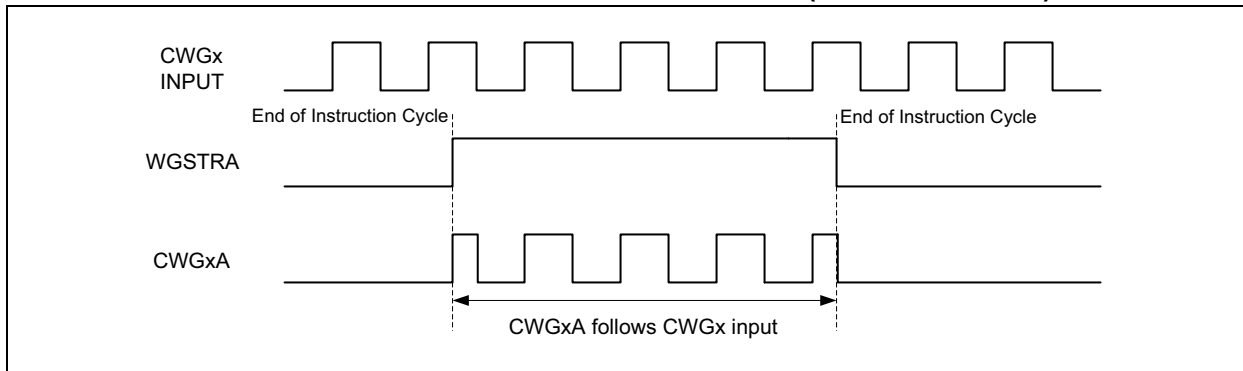
**FIGURE 20-3: EXAMPLE OF SYNCHRONOUS STEERING (MODE<2:0> = 001)**



## 20.2.3.2 Asynchronous Steering Mode

In Asynchronous mode (MODE<2:0> bits = 000, [Register 20-1](#)), steering takes effect at the end of the instruction cycle that writes to CWG1STR. In Asynchronous Steering mode, the output signal may be an incomplete waveform ([Register 20-4](#)). This operation may be useful when the user firmware needs to immediately remove a signal from the output pin.

**FIGURE 20-4: EXAMPLE OF ASYNCHRONOUS STEERING (MODE<2:0> = 000)**



## 20.2.3.3 Start-up Considerations

The application hardware must use the proper external pull-up and/or pull-down resistors on the CWG output pins. This is required because all I/O pins are forced to high-impedance at Reset.

The POLy bits ([Register 20-2](#)) allow the user to choose whether the output signals are active-high or active-low.

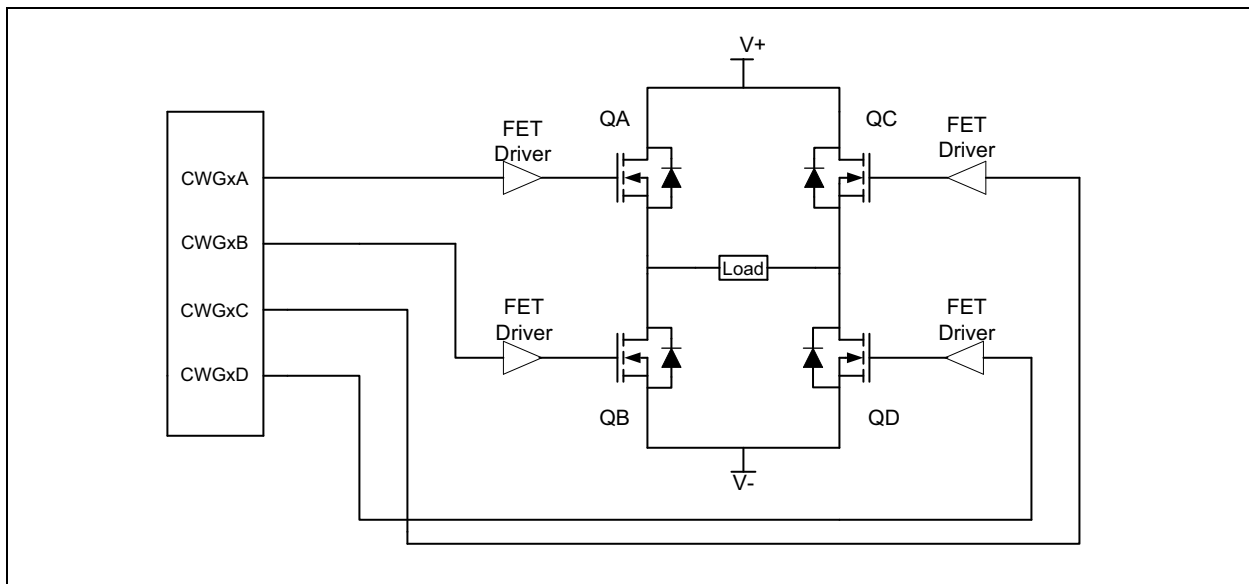
## 20.2.4 FULL-BRIDGE MODES

In Forward and Reverse Full-Bridge modes, three outputs drive static values while the fourth is modulated by the data input. Dead-band control is described in [Section 20.2.3 “Steering Modes”](#) and [Section 20.6 “Dead-Band Control”](#). Steering modes are not used with either of the Full-Bridge modes.

The mode selection may be toggled between forward and reverse (changing MODE<2:0>) without clearing EN.

When connected as shown in [Figure 20-5](#), the outputs are appropriate for a full-bridge motor driver. Each CWG output signal has independent polarity control, so the circuit can be adapted to high-active and low-active drivers.

**FIGURE 20-5: EXAMPLE OF FULL-BRIDGE APPLICATION**



# PIC16(L)F18313/18323

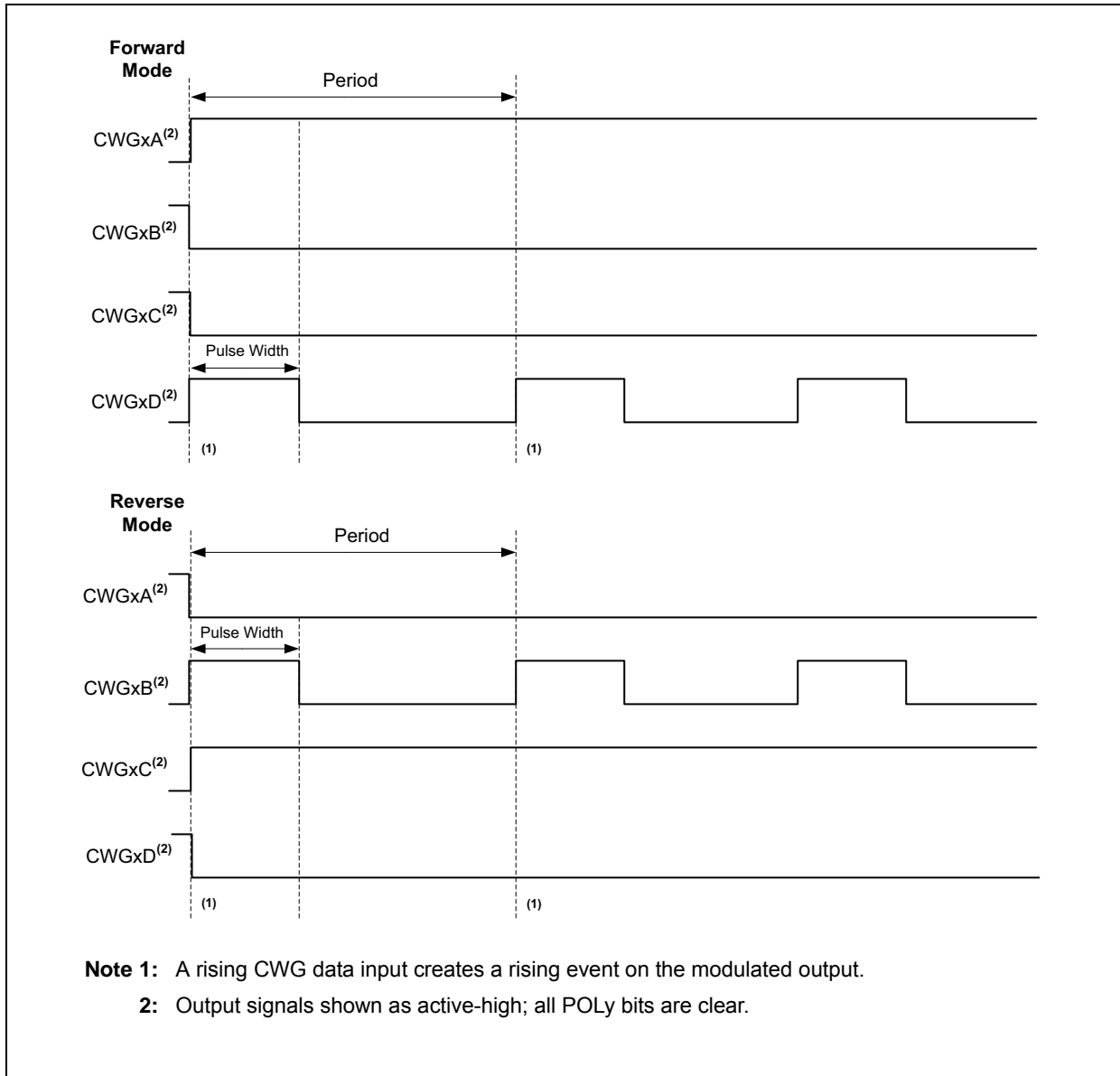
## 20.2.4.1 Full-Bridge Forward Mode

In Full-Bridge Forward mode (MODE<2:0> = 010), CWG1A is driven to its active state and CWG1D is modulated while CWG1B and CWG1C are driven to their inactive state, as illustrated at the top of Figure 20-6.

## 20.2.4.2 Full-Bridge Reverse Mode

In Full-Bridge Reverse mode (MODE<2:0> = 011), CWG1C is driven to its active state and CWG1B is modulated while CWG1A and CWG1D are driven to their inactive state, as illustrated at the bottom of Figure 20-6.

**FIGURE 20-6: EXAMPLE OF FULL-BRIDGE OUTPUT**



## 20.2.4.3 Direction Change in Full-Bridge Mode

In Full-Bridge mode, changing MODE<2:0> controls the forward/reverse direction. Changes to MODE<2:0> change to the new direction on the next rising edge of the modulated input.

A direction change is initiated in software by changing the MODE<2:0> bits of the CWG1CON0 register. The sequence is illustrated in Figure 20-7.

- The associated active output CWG1A and the inactive output CWG1C are switched to drive in the opposite direction.
- The previously modulated output CWG1D is switched to the inactive state, and the previously inactive output CWG1B begins to modulate.
- CWG modulation resumes after the direction-switch dead band has elapsed.



## 20.2.4.4 Dead-Band Delay in Full-Bridge Mode

Dead-band delay is important when either of the following conditions is true:

1. The direction of the CWG output changes when the duty cycle of the data input is at or near 100%, or
2. The turn-off time of the power switch, including the power device and driver circuit, is greater than the turn-on time.

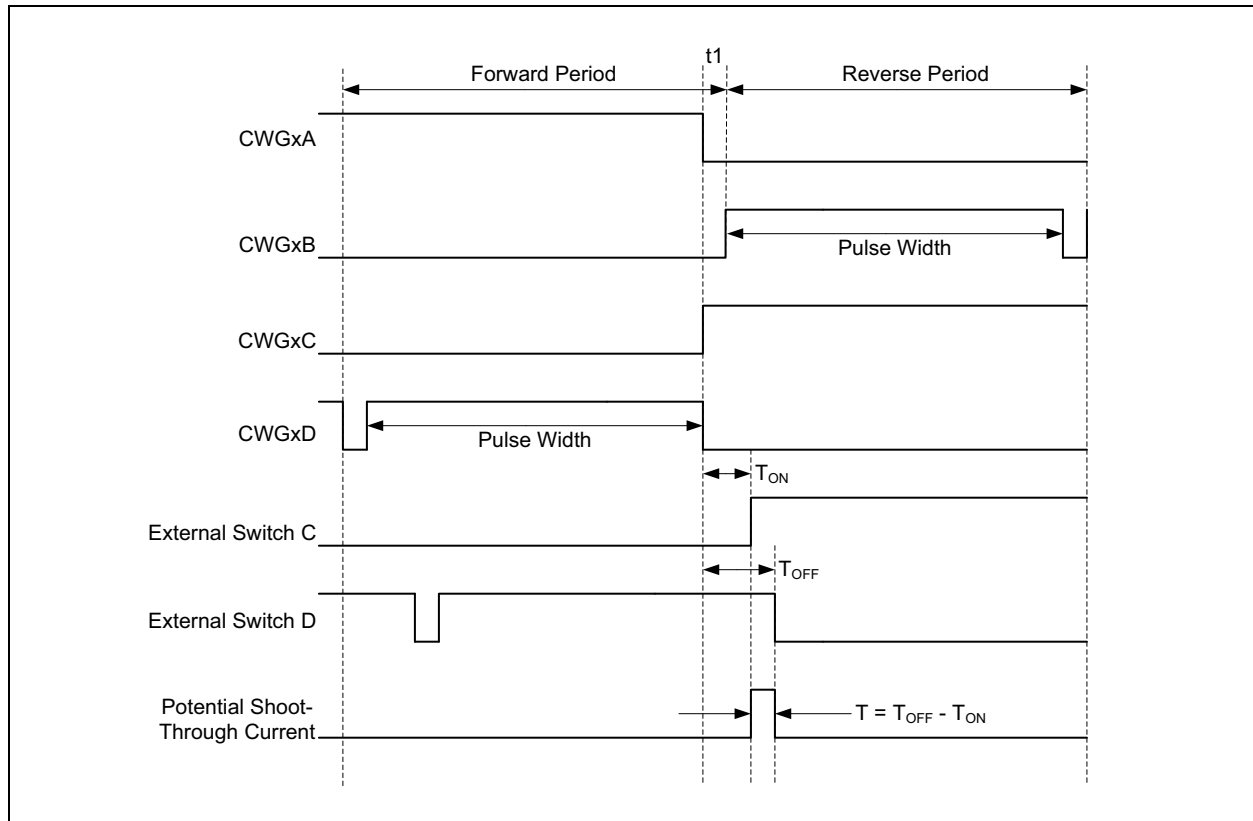
The dead-band delay is inserted only when changing directions, and only the modulated output is affected. The statically-configured outputs (CWG1A and CWG1C) are not afforded dead band, and switch essentially simultaneously.

Figure 20-7 shows an example of the CWG outputs changing directions from forward to reverse, at near 100% duty cycle. In this example, at time  $t_1$ , the output of CWG1A and CWG1D become inactive, while output CWG1C becomes active. Since the turn-off time of the power devices is longer than the turn-on time, a shoot-through current will flow through power devices QC and QD for the duration of 't'. The same phenomenon will occur to power devices QA and QB for the CWG direction change from reverse to forward.

If changing the CWG direction at high duty cycle is required for an application, two possible solutions for eliminating the shoot-through current are:

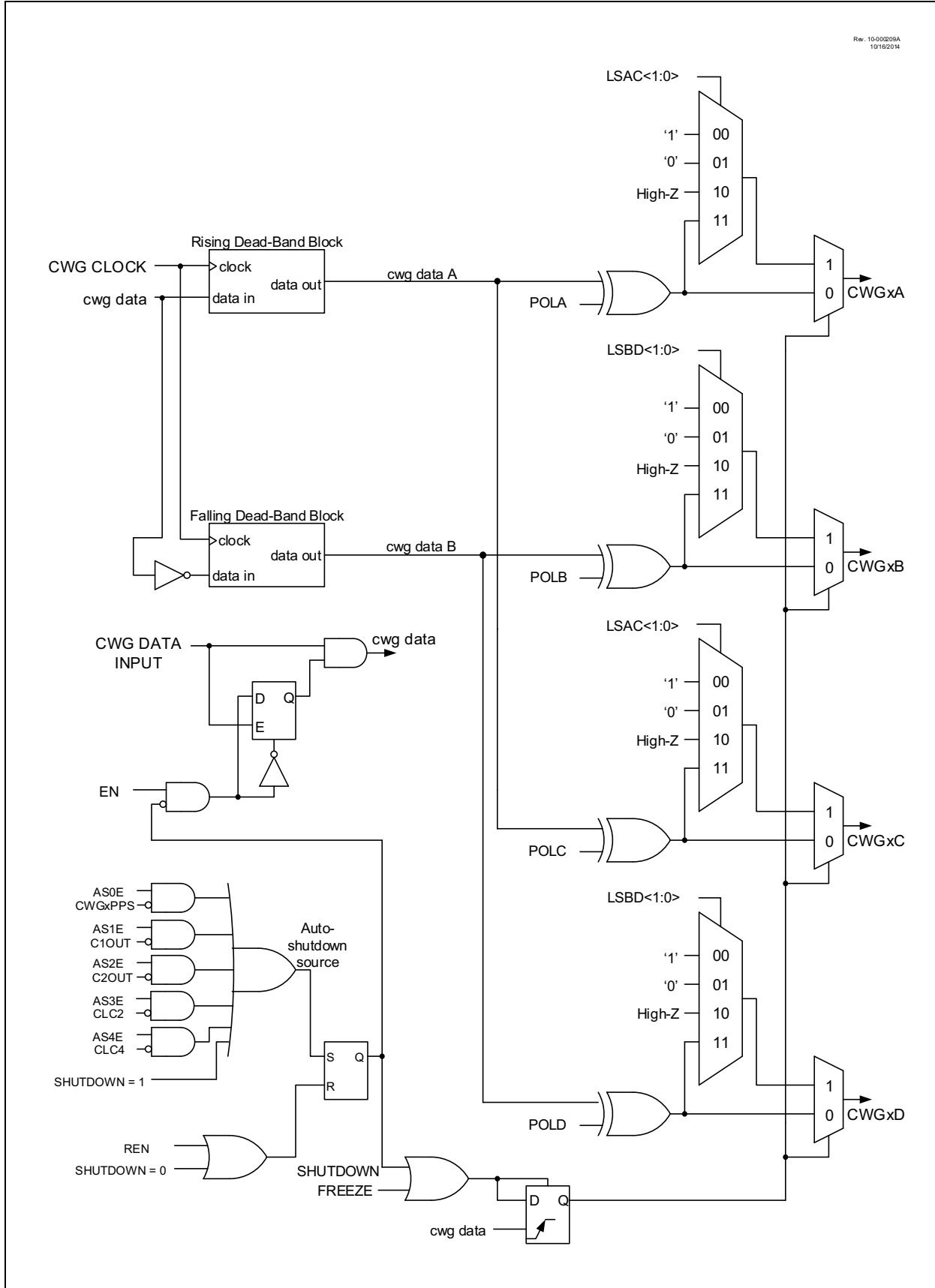
1. Reduce the CWG duty cycle for one period before changing directions.
2. Use switch drivers that can drive the switches off faster than they can drive them on.

**FIGURE 20-7: EXAMPLE OF PWM DIRECTION CHANGE AT NEAR 100% DUTY CYCLE**



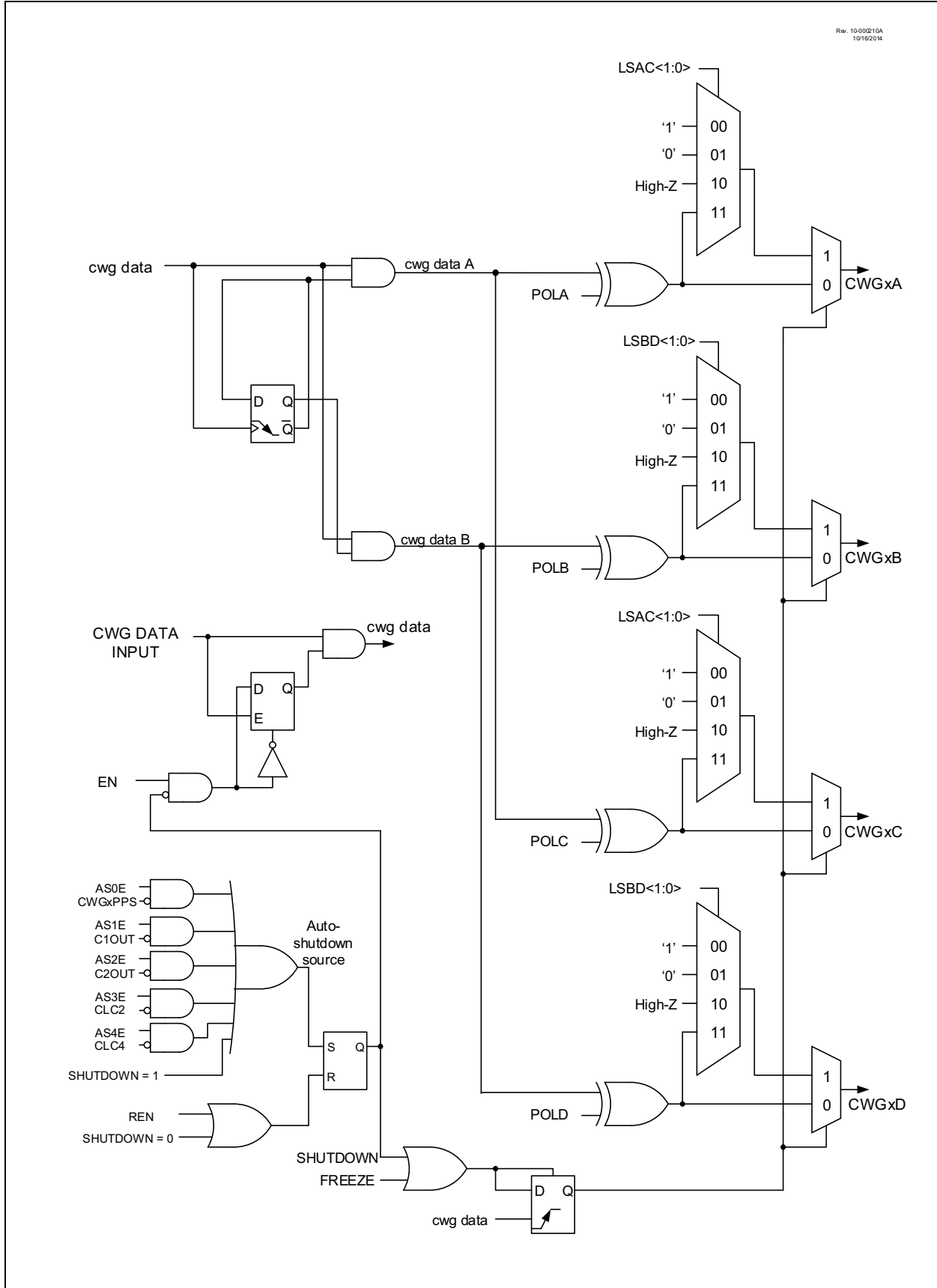
# PIC16(L)F18313/18323

FIGURE 20-8: SIMPLIFIED CWG1 BLOCK DIAGRAM (HALF-BRIDGE MODE, MODE<2:0> = 100)



# PIC16(L)F18313/18323

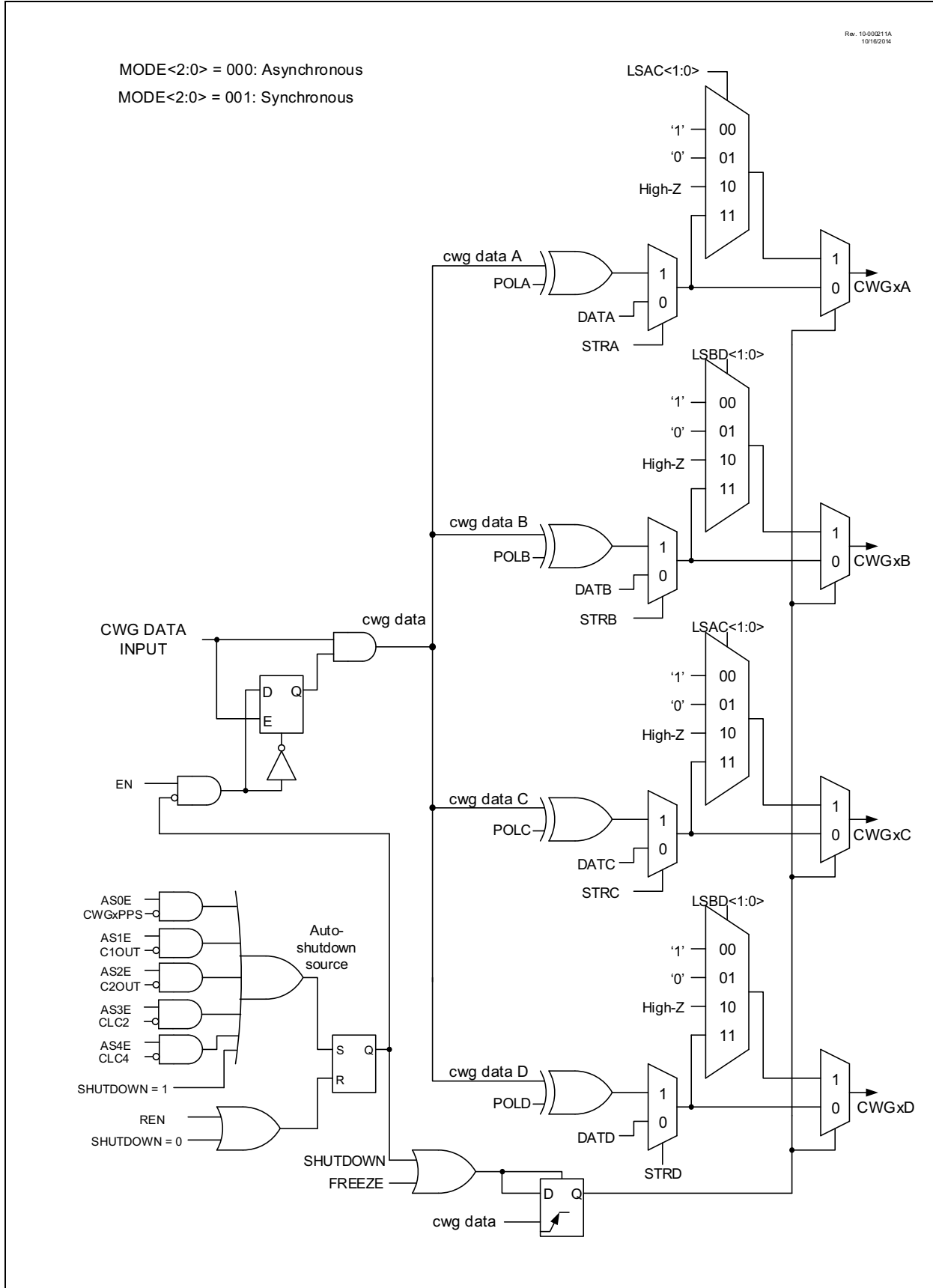
FIGURE 20-9: SIMPLIFIED CWG BLOCK DIAGRAM (PUSH-PULL MODE, MODE <2:0> = 101)



Rev. 10/02/10A  
10/16/2014

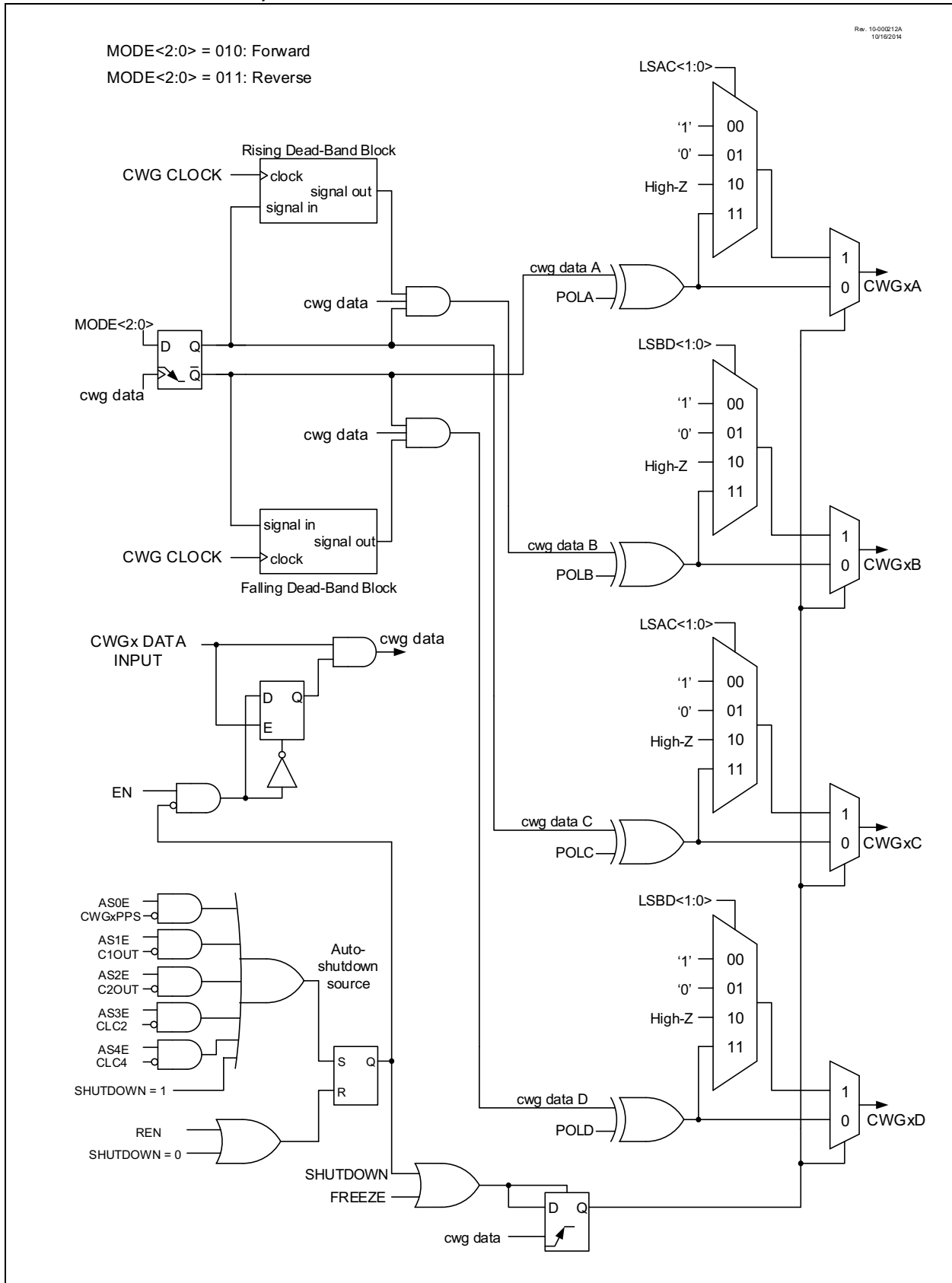
# PIC16(L)F18313/18323

**FIGURE 20-10: SIMPLIFIED CWG BLOCK DIAGRAM (OUTPUT STEERING MODES)**



# PIC16(L)F18313/18323

**FIGURE 20-11: SIMPLIFIED CWG BLOCK DIAGRAM (FORWARD AND REVERSE FULL-BRIDGE MODES)**



# PIC16(L)F18313/18323

## 20.3 Clock Source

The clock source is used to drive the dead-band timing circuits. The CWG1 module allows the following clock sources to be selected:

- FOSC (system clock)
- HFINTOSC (16 MHz only)

When the HFINTOSC is selected the HFINTOSC will be kept running during Sleep. Therefore, CWG modes requiring dead band can operate in Sleep provided that the CWG data input is also active during Sleep. The clock sources are selected using the CS bit of the CWG1CLKCON register ([Register 20-3](#)).

## 20.4 Selectable Input Sources

The CWG generates the output waveforms from the input sources in [Table 20-1](#).

**TABLE 20-1: SELECTABLE INPUT SOURCES**

Source Peripheral	Signal Name
CWG1PPS	CWG PPS input connection
C1OUT	Comparator 1 output
C2OUT	Comparator 2 output
CCP1	Capture/Compare/PWM output
CCP2	Capture/Compare/PWM output
PWM5	PWM5 output
PWM6	PWM6 output
NCO1	Numerically Controlled Oscillator (NCO) output
CLC1	Configurable Logic Cell 1 output
CLC2	Configurable Logic Cell 2 output

The input sources are selected using the DAT<3:0> bits in the CWG1DAT register ([Register 20-4](#)).

## 20.5 Output Control

Immediately after the CWG module is enabled, the complementary drive is configured with all output drives cleared.

### 20.5.1 CWG1 OUTPUTS

Each CWG output can be routed to a Peripheral Pin Select (PPS) output via the RxyPPS register (see [Section 13.0 “Peripheral Pin Select \(PPS\) Module”](#)).

### 20.5.2 POLARITY CONTROL

The polarity of each CWG output can be selected independently. When the output polarity bit is set, the corresponding output is active-low. Clearing the output polarity bit configures the corresponding output as active-high. However, polarity does not affect the override levels. Output polarity is selected with the POLy bits of the CWG1CON1 register.

## 20.6 Dead-Band Control

Dead-band control provides for non-overlapping output signals to prevent current shoot-through in power switches. The CWG1 modules contain two 6-bit dead-band counters. These counters can be loaded with values that will determine the length of the dead band initiated on either the rising or falling edges of the input source. Dead-band control is used in either Half-Bridge or Full-Bridge modes.

The rising-edge dead-band delay is determined by the rising dead-band count register ([Register 20-8](#), CWG1DBR) and the falling-edge dead-band delay is determined by the falling dead-band count register ([Register 20-9](#), CWG1DBF). Dead-band duration is established by counting the CWG clock periods from zero up to the value loaded into either the rising or falling dead-band counter registers. The dead-band counters are incremented on every rising edge of the CWG clock source.

### 20.6.1 RISING EDGE AND REVERSE DEAD BAND

In Half-Bridge mode, the rising edge dead band delays the turn-on of the CWG1A output after the rising edge of the CWG data input. In Full-Bridge mode, the reverse dead-band delay is only inserted when changing directions from Forward mode to Reverse mode, and only the modulated output CWG1B is affected.

The CWG1DBR register determines the duration of the dead-band interval on the rising edge of the input source signal. This duration is from 0 to 64 periods of the CWG clock.

Dead band is always initiated on the edge of the input source signal. A count of zero indicates that no dead band is present.

If the input source signal reverses polarity before the dead-band count is completed then no output will be seen on the respective output.

The CWG1DBR register value is double-buffered. If EN = 0 ([Register 20-1](#)), the buffer is loaded when CWG1DBR is written. If EN = 1, then the buffer will be loaded at the rising edge, following the first falling edge of the data input after the LD bit ([Register 20-1](#)) is set.

## 20.6.2 FALLING EDGE AND FORWARD DEAD BAND

In Half-Bridge mode, the falling edge dead band delays the turn-on of the CWG1B output at the falling edge of the CWG1 data input. In Full-Bridge mode, the forward dead-band delay is only inserted when changing directions from Reverse mode to Forward mode, and only the modulated output CWG1D is affected.

The CWG1DBF register determines the duration of the dead-band interval on the falling edge of the input source signal. This duration is from zero to 64 periods of the CWG clock.

Dead band is always initiated on the edge of the input source signal. A count of zero indicates that no dead band is present.

If the input source signal reverses polarity before the dead-band count is completed, then no output will be seen on the respective output.

The CWG1DBF register value is double-buffered. When EN = 0 ([Register 20-1](#)), the buffer is loaded when CWG1DBF is written. If EN = 1, then the buffer will be loaded at the rising edge following the first falling edge of the data input after the LD ([Register 20-1](#)) is set.

## 20.6.3 DEAD-BAND JITTER

The CWG input data signal may be asynchronous to the CWG input clock, so some jitter may occur in the observed dead band in each cycle. The maximum jitter is equal to one CWG clock period. See [Equation 20-1](#) for details and an example.

## EQUATION 20-1: DEAD-BAND DELAY TIME CALCULATION

$$T_{\text{DEAD-BAND\_MIN}} = \frac{1}{F_{\text{CWG\_CLOCK}}} \cdot \text{DBx} \langle 4:0 \rangle$$

$$T_{\text{DEAD-BAND\_MAX}} = \frac{1}{F_{\text{CWG\_CLOCK}}} \cdot \text{DBx} \langle 4:0 \rangle + 1$$

$$T_{\text{JITTER}} = T_{\text{DEAD-BAND\_MAX}} - T_{\text{DEAD-BAND\_MIN}}$$

$$T_{\text{JITTER}} = \frac{1}{F_{\text{CWG\_CLOCK}}}$$

$$T_{\text{DEAD-BAND\_MAX}} = T_{\text{DEAD-BAND\_MIN}} + T_{\text{JITTER}}$$

Example:

$$\text{DBR} \langle 4:0 \rangle = 0x0A = 10$$

$$F_{\text{CWG\_CLOCK}} = 8 \text{ MHz}$$

$$T_{\text{JITTER}} = \frac{1}{8 \text{ MHz}}$$

$$T_{\text{DEAD-BAND\_MIN}} = 125 \text{ ns} \cdot 10 = 1.25 \text{ } \mu\text{s}$$

$$T_{\text{DEAD-BAND\_MAX}} = 1.25 \text{ } \mu\text{s} + 0.125 \text{ } \mu\text{s} = 1.37 \text{ } \mu\text{s}$$

# PIC16(L)F18313/18323

## 20.7 Auto-Shutdown Control

Auto-shutdown is a method to immediately override the CWG output levels with specific overrides that allow for safe shutdown of the circuit. The shutdown state can be either cleared automatically or held until cleared by software.

### 20.7.1 SHUTDOWN

The shutdown state can be entered by either of the following two methods:

- Software generated
- External input

The SHUTDOWN bit indicates when a Shutdown condition exists. The bit may be set or cleared in software or by hardware.

#### 20.7.1.1 Software-Generated Shutdown

Setting the SHUTDOWN bit of the CWG1AS0 register will force the CWG into the shutdown state.

When auto-restart is disabled, the shutdown state will persist as long as the SHUTDOWN bit is set.

When auto-restart is enabled, the SHUTDOWN bit will clear automatically and resume operation on the next rising edge event.

#### 20.7.1.2 External Input Source Shutdown

Any of the auto-shutdown external inputs can be selected to suspend the CWG operation. These sources are individually enabled by the ASxE bits of the CWG1AS1 register (Register 20-7). When any of the selected inputs goes active (pins are active-low), the CWG outputs will immediately switch to the override levels selected by the LSB<1:0> and LSAC<1:0> bits without any software delay (Section 20.7.1.3 “Pin Override Levels”). Any of the following external input sources can be selected to cause a Shutdown condition:

- Comparator C1
- Comparator C2(PIC16(L)F18323 only)
- CLC2
- CWG1PPS

**Note:** Shutdown inputs are level sensitive, not edge sensitive. The shutdown state cannot be cleared, except by disabling auto-shutdown, as long as the shutdown input level persists.

#### 20.7.1.3 Pin Override Levels

The levels driven to the CWG outputs during an auto-shutdown event are controlled by the LSB<1:0> and LSAC<1:0> bits of the CWG1AS0 register (Register 20-6). The LSB<1:0> bits control CWG1B/D output levels, while the LSAC<1:0> bits control the CWG1A/C output levels.

#### 20.7.1.4 Auto-Shutdown Interrupts

When an auto-shutdown event occurs, either by software or hardware setting SHUTDOWN, the CWG1IF flag bit of the PIR4 register is set (Register 8-11).

## 20.8 Auto-Shutdown Restart

After an auto-shutdown event has occurred, there are two ways to resume operation:

- Software controlled
- Auto-restart

In either case, the shut-down source must be cleared before the restart can take place. That is, either the Shutdown condition must be removed, or the corresponding WGASxE bit must be cleared.

### 20.8.1 SOFTWARE-CONTROLLED RESTART

If the REN bit of the CWG1ASD0 register is clear (REN = 0), the CWG1 module must be restarted after an auto-shutdown event through software.

Once all auto-shutdown conditions are removed, the software must clear SHUTDOWN. Once SHUTDOWN is cleared, the CWG module will resume operation upon the first rising edge of the CWG data input.

**Note:** SHUTDOWN bit cannot be cleared in software if the auto-shutdown condition is still present.

### 20.8.2 AUTO-RESTART

If the REN bit of the CWG1ASD0 register is set (REN = 1), the CWG1 module will restart from the shutdown state automatically.

Once all auto-shutdown conditions are removed, the hardware will automatically clear SHUTDOWN. Once SHUTDOWN is cleared, the CWG module will resume operation upon the first rising edge of the CWG data input.

**Note:** SHUTDOWN bit cannot be cleared in software if the auto-shutdown condition is still present.



## 20.9 Operation During Sleep

The CWG1 module will operate during Sleep, provided that the input sources remain active.

If the HFINTOSC is selected as the module clock source, dead-band generation will remain active. This will have a direct effect on the Sleep mode current.

## 20.10 Configuring the CWG

1. Ensure that the TRIS control bits corresponding to CWG outputs are set so that all are configured as inputs, ensuring that the outputs are inactive during setup. External hardware should ensure that pin levels are held to safe levels.
2. Clear the EN bit, if not already cleared.
3. Configure the MODE<2:0> bits of the CWG1CON0 register to set the output operating mode.
4. Configure the POLy bits of the CWG1CON1 register to set the output polarities.
5. Configure the DAT<3:0> bits of the CWG1DAT register to select the data input source.
6. If a Steering mode is selected, configure the STRy bits to select the desired output on the CWG outputs.
7. Configure the LSBD<1:0> and LSAC<1:0> bits of the CWG1AS0 register to select the auto-shutdown output override states (this is necessary even if not using auto-shutdown because start-up will be from a shutdown state).
8. If auto-restart is desired, set the REN bit of CWG1AS0.
9. If auto-shutdown is desired, configure the ASxE bits of the CWG1AS1 register to select the shutdown source.
10. Set the desired rising and falling dead-band times with the CWG1DBR and CWG1DBF registers.
11. Select the clock source in the CWG1CLKCON register.
12. Set the EN bit to enable the module.
13. Clear the TRIS bits that correspond to the CWG outputs to set them as outputs.
14. If auto-restart is to be used, set the REN bit and the SHUTDOWN bit will be cleared automatically. Otherwise, clear the SHUTDOWN bit in software to start the CWG.

# PIC16(L)F18313/18323

## 20.11 Register Definitions: CWG Control

### REGISTER 20-1: CWG1CON0: CWG1 CONTROL REGISTER 0

R/W-0/0	R/W/HC-0/0	U-0	U-0	U-0	R/W-0/0	R/W-0/0	R/W-0/0
EN	LD <sup>(1)</sup>	—	—	—	MODE<2:0>		
bit 7							bit 0

**Legend:**

R = Readable bit	W = Writable bit	U = Unimplemented bit, read as '0'
u = Bit is unchanged	x = Bit is unknown	-n/n = Value at POR and BOR/Value at all other Resets
'1' = Bit is set	'0' = Bit is cleared	HS/HC = Bit is set/cleared by hardware

- bit 7      **EN:** CWG1 Enable bit  
1 = CWG1 is enabled  
0 = CWG1 is disabled
- bit 6      **LD:** CWG Load Buffers bit<sup>(1)</sup>  
1 = Dead-band count buffers to be loaded on CWG data rising edge following first falling edge after this bit is set.  
0 = Buffers remain unchanged
- bit 5-3    **Unimplemented:** Read as '0'
- bit 2-0    **MODE<2:0>:** CWG1 Mode bits  
111 = Reserved  
110 = Reserved  
101 = CWG outputs operate in Push-Pull mode  
100 = CWG outputs operate in Half-Bridge mode  
011 = CWG outputs operate in Reverse Full-Bridge mode  
010 = CWG outputs operate in Forward Full-Bridge mode  
001 = CWG outputs operate in Synchronous Steering mode  
000 = CWG outputs operate in Asynchronous Steering mode

**Note 1:** This bit can only be set after EN = 1; it cannot be set in the same cycle when EN is set.

# PIC16(L)F18313/18323

## REGISTER 20-2: CWG1CON1: CWG1 CONTROL REGISTER 1

U-0	U-0	R-x	U-0	R/W-0/0	R/W-0/0	R/W-0/0	R/W-0/0
—	—	IN	—	POLD	POLC	POLB	POLA
bit 7							bit 0

### Legend:

R = Readable bit	W = Writable bit	U = Unimplemented bit, read as '0'
u = Bit is unchanged	x = Bit is unknown	-n/n = Value at POR and BOR/Value at all other Resets
'1' = Bit is set	'0' = Bit is cleared	q = Value depends on condition

- bit 7-6      **Unimplemented:** Read as '0'
- bit 5        **IN:** CWG1 Data Input Signal (read-only)
- bit 4        **Unimplemented:** Read as '0'
- bit 3        **POLD:** CWG1D Output Polarity bit  
1 = Signal output is inverted polarity  
0 = Signal output is normal polarity
- bit 2        **POLC:** CWG1C Output Polarity bit  
1 = Signal output is inverted polarity  
0 = Signal output is normal polarity
- bit 1        **POLB:** CWG1B Output Polarity bit  
1 = Signal output is inverted polarity  
0 = Signal output is normal polarity
- bit 0        **POLA:** CWG1A Output Polarity bit  
1 = Signal output is inverted polarity  
0 = Signal output is normal polarity

## REGISTER 20-3: CWG1CLKCON: CWG1 CLOCK INPUT SELECTION REGISTER

U-0	U-0	U-0	U-0	U-0	U-0	U-0	R/W-0/0
—	—	—	—	—	—	—	CS
bit 7							bit 0

### Legend:

R = Readable bit	W = Writable bit	U = Unimplemented bit, read as '0'
u = Bit is unchanged	x = Bit is unknown	-n/n = Value at POR and BOR/Value at all other Resets
'1' = Bit is set	'0' = Bit is cleared	q = Value depends on condition

- bit 7-1      **Unimplemented:** Read as '0'
- bit 0        **CS:** CWG Clock Source Selection Select bits

CS	Clock Source
0	FOSC
1	HFINTOSC (remains operating during Sleep)

# PIC16(L)F18313/18323

## REGISTER 20-4: CWG1DAT: CWG1 DATA INPUT SELECTION REGISTER

U-0	U-0	U-0	U-0	R/W-0/0	R/W-0/0	R/W-0/0	R/W-0/0
—	—	—	—	DAT<3:0>			
bit 7				bit 0			

### Legend:

R = Readable bit	W = Writable bit	U = Unimplemented bit, read as '0'
u = Bit is unchanged	x = Bit is unknown	-n/n = Value at POR and BOR/Value at all other Resets
'1' = Bit is set	'0' = Bit is cleared	q = Value depends on condition

bit 7-4      **Unimplemented:** Read as '0'

bit 3-0      **DAT<3:0>:** CWG Data Input Selection bits

DAT	Data Source
0000	CWG1PPS
0001	C1OUT
0010	C2OUT <sup>(1)</sup>
0011	CCP1
0100	CCP2
0101	Reserved
0110	Reserved
0111	PWM5
1000	PWM6
1001	NCO1
1010	CLC1
1011	CLC2
1100	Reserved
1101	Reserved
1110	Reserved
1111	Reserved

**Note 1:** PIC16(L)F18323 only; otherwise selection is Reserved.

# PIC16(L)F18313/18323

## REGISTER 20-5: CWG1STR<sup>(1)</sup>: CWG1 STEERING CONTROL REGISTER

R/W-0/0	R/W-0/0	R/W-0/0	R/W-0/0	R/W-0/0	R/W-0/0	R/W-0/0	R/W-0/0
OVRD	OVRC	OVRB	OVRA	STRD <sup>(2)</sup>	STRC <sup>(2)</sup>	STRB <sup>(2)</sup>	STRA <sup>(2)</sup>
bit 7							bit 0

### Legend:

R = Readable bit	W = Writable bit	U = Unimplemented bit, read as '0'
u = Bit is unchanged	x = Bit is unknown	-n/n = Value at POR and BOR/Value at all other Resets
'1' = Bit is set	'0' = Bit is cleared	q = Value depends on condition

bit 7	<b>OVRD:</b> Steering Data D bit
bit 6	<b>OVRC:</b> Steering Data C bit
bit 5	<b>OVRB:</b> Steering Data B bit
bit 4	<b>OVRA:</b> Steering Data A bit
bit 3	<b>STRD:</b> Steering Enable bit D <sup>(2)</sup> 1 = CWG1D output has the CWG1 data input waveform with polarity control from POLD bit 0 = CWG1D output is assigned to value of OVRD bit
bit 2	<b>STRC:</b> Steering Enable bit C <sup>(2)</sup> 1 = CWG1C output has the CWG1 data input waveform with polarity control from POLC bit 0 = CWG1C output is assigned to value of OVRC bit
bit 1	<b>STRB:</b> Steering Enable bit B <sup>(2)</sup> 1 = CWG1B output has the CWG1 data input waveform with polarity control from POLB bit 0 = CWG1B output is assigned to value of OVRB bit
bit 0	<b>STRA:</b> Steering Enable bit A <sup>(2)</sup> 1 = CWG1A output has the CWG1 data input waveform with polarity control from POLA bit 0 = CWG1A output is assigned to value of OVRA bit

- Note 1:** The bits in this register apply only when MODE<2:0> = 00x ([Register 20-1](#), steering modes).
- Note 2:** This bit is double-buffered when MODE<2:0> = 001.

# PIC16(L)F18313/18323

## REGISTER 20-6: CWG1AS0: CWG1 AUTO-SHUTDOWN CONTROL REGISTER 0

R/W/HS/SC-0/0	R/W-0/0	R/W-0/0	R/W-1/1	R/W-0/0	R/W-1/1	U-0	U-0
SHUTDOWN	REN	LSBD<1:0>		LSAC<1:0>		—	—
bit 7						bit 0	

### Legend:

R = Readable bit	W = Writable bit	U = Unimplemented bit, read as '0'
u = Bit is unchanged	x = Bit is unknown	-n/n = Value at POR and BOR/Value at all other Resets
'1' = Bit is set	'0' = Bit is cleared	q = Value depends on condition

bit 7      **SHUTDOWN:** Auto-Shutdown Event Status bit<sup>(1,2)</sup>

- 1 = An auto-shutdown state is in effect
- 0 = No auto-shutdown event has occurred

bit 6      **REN:** Auto-Restart Enable bit

- 1 = Auto-restart is enabled
- 0 = Auto-restart is disabled

bit 5-4    **LSBD<1:0>:** CWG1B and CWG1D Auto-Shutdown State Control bits

- 11 = A logic '1' is placed on CWG1B/D when an auto-shutdown event occurs.
- 10 = A logic '0' is placed on CWG1B/D when an auto-shutdown event occurs.
- 01 = Pin is tri-stated on CWG1B/D when an auto-shutdown event occurs.
- 00 = The inactive state of the pin, including polarity, is placed on CWG1B/D after the required dead-band interval when an auto-shutdown event occurs.

bit 3-2    **LSAC<1:0>:** CWG1A and CWG1C Auto-Shutdown State Control bits

- 11 = A logic '1' is placed on CWG1A/C when an auto-shutdown event occurs.
- 10 = A logic '0' is placed on CWG1A/C when an auto-shutdown event occurs.
- 01 = Pin is tri-stated on CWG1A/C when an auto-shutdown event occurs.
- 00 = The inactive state of the pin, including polarity, is placed on CWG1A/C after the required dead-band interval when an auto-shutdown event occurs.

bit 1-0    **Unimplemented:** Read as '0'

- Note 1:** This bit may be written while EN = 0 ([Register 20-1](#)), to place the outputs into the shutdown configuration.
- Note 2:** The outputs will remain in auto-shutdown state until the next rising edge of the CWG data input after this bit is cleared.

# PIC16(L)F18313/18323

## REGISTER 20-7: CWG1AS1: CWG1 AUTO-SHUTDOWN CONTROL REGISTER 1

U-0	U-0	U-0	U-0	R/W-0/0	R/W-0/0	R/W-0/0	R/W-0/0
—	—	—	—	AS3E	AS2E <sup>(1)</sup>	AS1E	AS0E
bit 7							bit 0

### Legend:

R = Readable bit	W = Writable bit	U = Unimplemented bit, read as '0'
u = Bit is unchanged	x = Bit is unknown	-n/n = Value at POR and BOR/Value at all other Resets
'1' = Bit is set	'0' = Bit is cleared	q = Value depends on condition

- bit 7-4      **Unimplemented:** Read as '0'
- bit 3      **AS3E:** CWG Auto-Shutdown Source 3 (CLC2) Enable bit  
 1 = Auto-shutdown from CLC2 is enabled  
 0 = Auto-shutdown from CLC2 is disabled
- bit 2      **AS2E:** CWG Auto-Shutdown Source 2 (C2) Enable bit<sup>(1)</sup>  
 1 = Auto-shutdown from Comparator 2 is enabled  
 0 = Auto-shutdown from Comparator 2 is disabled
- bit 1      **AS1E:** CWG Auto-Shutdown Source 1 (C1) Enable bit  
 1 = Auto-shutdown from Comparator 1 is enabled  
 0 = Auto-shutdown from Comparator 1 is disabled
- bit 0      **AS0E:** CWG Auto-Shutdown Source 0 (CWG1PPS) Enable bit  
 1 = Auto-shutdown from CWG1PPS is enabled  
 0 = Auto-shutdown from CWG1PPS is disabled

**Note 1:** PIC16(L)F18323 only; otherwise read as '0'.

## REGISTER 20-8: CWG1DBR: CWG1 RISING DEAD-BAND COUNT REGISTER

U-0	U-0	R/W-0/0	R/W-0/0	R/W-0/0	R/W-0/0	R/W-0/0	R/W-0/0
—	—	DBR<5:0>					
bit 7							bit 0

### Legend:

R = Readable bit	W = Writable bit	U = Unimplemented bit, read as '0'
u = Bit is unchanged	x = Bit is unknown	-n/n = Value at POR and BOR/Value at all other Resets
'1' = Bit is set	'0' = Bit is cleared	q = Value depends on condition

- bit 7-6      **Unimplemented:** Read as '0'
- bit 5-0      **DBR<5:0>:** CWG Rising Edge Triggered Dead-Band Count bits  
 11 1111 = 63-64 CWG clock periods  
 11 1110 = 62-63 CWG clock periods  
 .  
 .  
 .  
 00 0010 = 2-3 CWG clock periods  
 00 0001 = 1-2 CWG clock periods  
 00 0000 = 0 CWG clock periods. Dead-band generation is bypassed.

# PIC16(L)F18313/18323

## REGISTER 20-9: CWG1DBF: CWG1 FALLING DEAD-BAND COUNT REGISTER

U-0	U-0	R/W-0/0	R/W-0/0	R/W-0/0	R/W-0/0	R/W-0/0	R/W-0/0
—	—	DBF<5:0>					
bit 7							bit 0

### Legend:

R = Readable bit	W = Writable bit	U = Unimplemented bit, read as '0'
u = Bit is unchanged	x = Bit is unknown	-n/n = Value at POR and BOR/Value at all other Resets
'1' = Bit is set	'0' = Bit is cleared	q = Value depends on condition

bit 7-6      **Unimplemented:** Read as '0'

bit 5-0      **DBF<5:0>:** CWG Falling Edge Triggered Dead-Band Count bits

11 1111 = 63-64 CWG clock periods

11 1110 = 62-63 CWG clock periods

.

.

.

00 0010 = 2-3 CWG clock periods

00 0001 = 1-2 CWG clock periods

00 0000 = 0 CWG clock periods. Dead-band generation is bypassed.



# PIC16(L)F18313/18323

**TABLE 20-2: SUMMARY OF REGISTERS ASSOCIATED WITH CWG1**

Name	Bit 7	Bit 6	Bit 5	Bit 4	Bit 3	Bit 2	Bit 1	Bit 0	Register on Page
TRISA	—	—	TRISA5	TRISA4	— <sup>(2)</sup>	TRISA2	TRISA1	TRISA0	131
ANSELA	—	—	ANSA5	ANSA4	—	ANSA2	ANSA1	ANSA0	132
TRISC <sup>(1)</sup>	—	—	TRISC5	TRISC4	TRISC3	TRISC2	TRISC1	TRISC0	138
ANSELC <sup>(1)</sup>	—	—	ANSC5	ANSC4	ANSC3	ANSC2	ANSC1	ANSC0	139
PIR4	—	CWG1IF	—	—	—	—	CCP2IF	CCP1IF	99
PIE4	—	CWG1IE	—	—	—	—	CCP2IE	CCP1IE	94
CWG1CON0	EN	LD	—	—	—	MODE<2:0>			194
CWG1CON1	—	—	IN	—	POLD	POLC	POLB	POLA	195
CWG1CLKCON	—	—	—	—	—	—	—	CS	195
CWG1DAT	—	—	—	—	DAT<3:0>				196
CWG1STR	OVRD	OVRC	OVRB	OVRA	STRD	STRC	STRB	STRA	197
CWG1AS0	SHUTDOWN	REN	LSBD<1:0>		LSAC<1:0>		—	—	198
CWG1AS1	—	—	—	—	AS3E	AS2E	AS1E	AS0E	199
CWG1DBR	—	—	DBR<5:0>						199
CWG1DBF	—	—	DBF<5:0>						200
CWG1PPS	—	—	—	CWG1PPS<4:0>					144

**Legend:** — = unimplemented location, read as '0'. Shaded cells are not used by the CWG1 module.

**Note 1:** PIC16(L)F18323 only.

**2:** Unimplemented, read as '0'.

# PIC16(L)F18313/18323

## 21.0 CONFIGURABLE LOGIC CELL (CLC)

The Configurable Logic Cell (CLCx) provides programmable logic that operates outside the speed limitations of software execution. The logic cell takes up to 36 input signals and, through the use of configurable gates, reduces the 32 inputs to four logic lines that drive one of eight selectable single-output logic functions.

Input sources are a combination of the following:

- I/O pins
- Internal clocks
- Peripherals
- Register bits

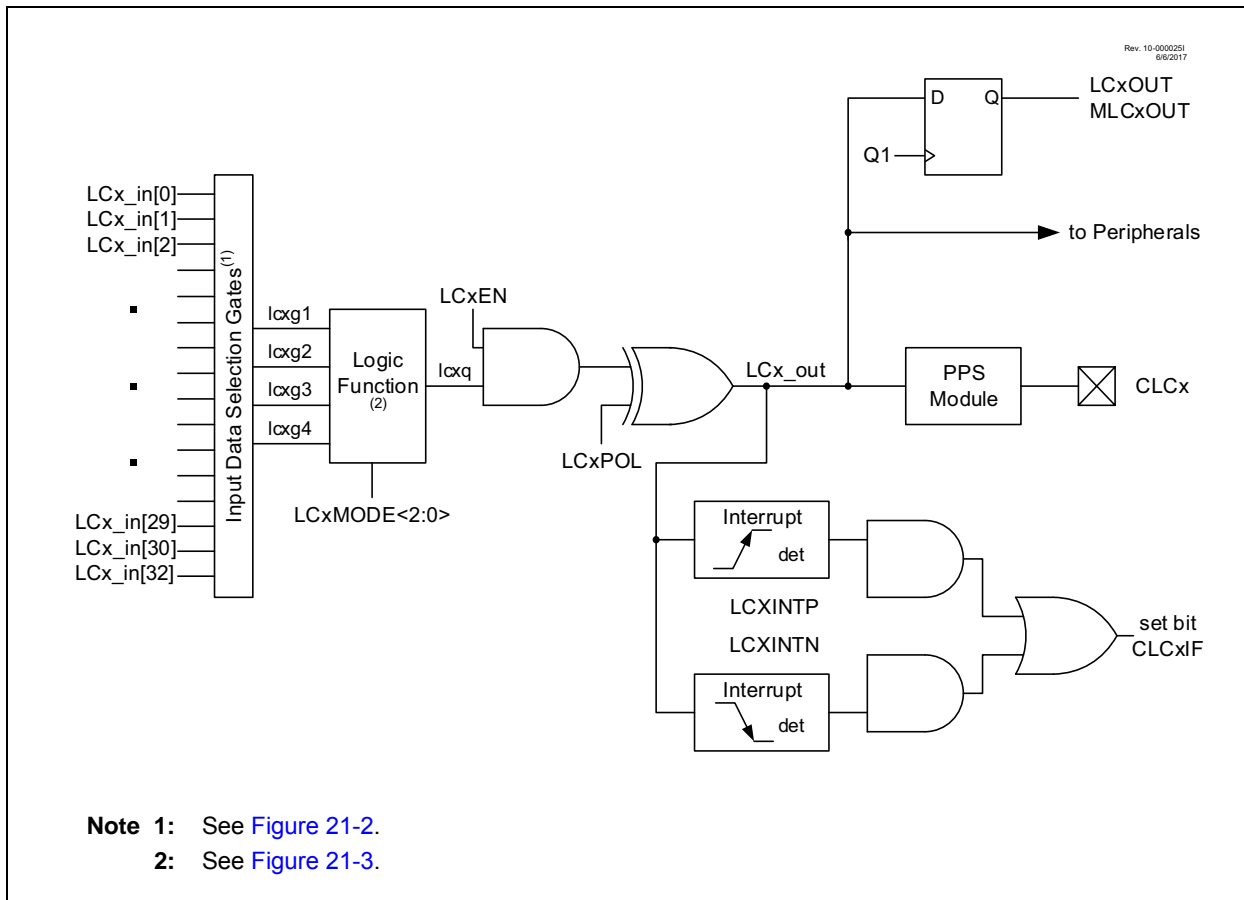
The output can be directed internally to peripherals and to an output pin.

Refer to [Figure 21-1](#) for a simplified diagram showing signal flow through the CLCx.

Possible configurations include:

- Combinatorial Logic
  - AND
  - NAND
  - AND-OR
  - AND-OR-INVERT
  - OR-XOR
  - OR-XNOR
- Latches
  - S-R
  - Clocked D with Set and Reset
  - Transparent D with Set and Reset
  - Clocked J-K with Reset

**FIGURE 21-1: CLCx SIMPLIFIED BLOCK DIAGRAM**



## 21.1 CLCx Setup

Programming the CLCx module is performed by configuring the four stages in the logic signal flow. The four stages are:

- Data selection
- Data gating
- Logic function selection
- Output polarity

Each stage is setup at run time by writing to the corresponding CLCx Special Function Registers. This has the added advantage of permitting logic reconfiguration on-the-fly during program execution.

### 21.1.1 DATA SELECTION

There are 32 signals available as inputs to the configurable logic.

Data selection is through four multiplexers as indicated on the left side of [Figure 21-2](#). Data inputs in the figure are identified by the 'LCx\_in' signal name.

[Table 21-1](#) correlates the input number to the actual signal for each CLC module. The column labeled 'LCxDyS<4:0> Value' indicates the MUX selection code for the selected data input. LCxDyS is an abbreviation to identify the specific input multiplexer: LCxD1S<4:0> through LCxD4S<4:0>.

Data inputs are selected with CLCxSELO through CLCxSEL3 registers ([Register 21-3](#) through [Register 21-6](#)).

**TABLE 21-1: CLCx DATA INPUT SELECTION**

CLCxSELY<4:0> VALUE	CLCx INPUT SOURCE
11111 [31]	FOSC
11110 [30]	HFINTOSC
11101 [29]	LFINTOSC
11100 [28]	ADCRC
11011 [27]	IOCIF int flag bit
11010 [26]	TMR2/PR2 match
11001 [25]	TMR1 overflow
11000 [24]	TMR0 overflow
10111 [23]	EUSART (DT) output
10110 [22]	EUSART (TX/CK) output
10101 [21]	Reserved
10100 [20]	Reserved
10011 [19]	SDA1
10010 [18]	SCL1
10001 [17]	PWM6 output
10000 [16]	PWM5 output
01111 [15]	Reserved
01110 [14]	Reserved
01101 [13]	CCP2 output
01100 [12]	CCP1 output
01011 [11]	CLKR output
01010 [10]	DSM output
01001 [9]	C2(1) output
01000 [8]	C1 output
00111 [7]	Reserved
00110 [6]	Reserved
00101 [5]	CLC2 output
00100 [4]	CLC1 output
00011 [3]	CLCIN3PPS
00010 [2]	CLCIN2PPS
00001 [1]	CLCIN1PPS
00000 [0]	CLCIN0PPS

# PIC16(L)F18313/18323

## 21.1.2 INPUT DATA SELECTION GATES

Outputs from the input multiplexers are directed to the desired logic function input through the data gating stage. Each data gate can direct any combination of the four selected inputs.

The gate can be configured to direct each input signal as inverted or non-inverted data. The output of each gate can be inverted before going on to the logic function stage.

The gating is in essence a 1-to-4 input AND/NAND/OR/NOR gate. When every input is inverted and the output is inverted, the gate is an OR of all enabled data inputs. When the inputs and output are not inverted, the gate is an AND of all enabled inputs.

Table 21-2 summarizes the basic logic that can be obtained in gate 1 by using the gate logic select bits and gate polarity bits. The table shows the logic of four input variables, but each gate can be configured to use less than four. If no inputs are selected, the output will be zero or one, depending on the gate output polarity bit.

**TABLE 21-2: DATA GATING LOGIC**

CLCxGLSy	LCxGyPOL	Gate Logic
0x55	1	4-input AND
0x55	0	4-input NAND
0xAA	1	4-input NOR
0xAA	0	4-input OR
0x00	0	Logic 0
0x00	1	Logic 1

It is possible (but not recommended) to select both the true and negated values of an input. When this is done, the gate output is zero, regardless of the other inputs, but may emit logic glitches (transient-induced pulses). If the output of the channel must be zero or one, the recommended method is to set all gate bits to zero and use the gate polarity bit to set the desired level.

Data gating is configured with the gate logic select registers as follows:

- Gate 1: CLCxGLS0 ([Register 21-7](#))
- Gate 2: CLCxGLS1 ([Register 21-8](#))
- Gate 3: CLCxGLS2 ([Register 21-9](#))
- Gate 4: CLCxGLS3 ([Register 21-10](#))

Register number suffixes are different than the gate numbers because other variations of this module have multiple gate selections in the same register.

Data gating is indicated in the right side of [Figure 21-2](#). Only one gate is shown in detail. The remaining three gates are configured identically with the exception that the data enables correspond to the enables for that gate.

## 21.1.3 LOGIC FUNCTION

There are eight available logic functions including:

- AND-OR
- OR-XOR
- AND
- S-R Latch
- D Flip-Flop with Set and Reset
- D Flip-Flop with Reset
- J-K Flip-Flop with Reset
- Transparent Latch with Set and Reset

Logic functions are shown in [Figure 21-3](#). Each logic function has four inputs and one output. The four inputs are the four data gate outputs of the previous stage. The output is fed to the inversion stage and from there to other peripherals, an output pin, and back to the CLCx itself.

## 21.1.4 OUTPUT POLARITY

The last stage in the configurable logic cell is the output polarity. Setting the LCxPOL bit of the CLCxPOL register inverts the output signal from the logic stage. Changing the polarity while the interrupts are enabled will cause an interrupt for the resulting output transition.

## 21.2 CLCx Interrupts

An interrupt will be generated upon a change in the output value of the CLCx when the appropriate interrupt enables are set. A rising edge detector and a falling edge detector are present in each CLC for this purpose.

The CLCxIF bit of the associated PIR3 register will be set when either edge detector is triggered and its associated enable bit is set. The LCxINTP bit enables rising edge interrupts and the LCxINTN bit enables falling edge interrupts. Both are located in the CLCxCON register.

To fully enable the interrupt, set the following bits:

- CLCxIE bit of the PIE3 register
- LCxINTP bit of the CLCxCON register (for a rising edge detection)
- LCxINTN bit of the CLCxCON register (for a falling edge detection)
- PEIE and GIE bits of the INTCON register

The CLCxIF bit of the PIR3 register, must be cleared in software as part of the interrupt service. If another edge is detected while this flag is being cleared, the flag will still be set at the end of the sequence.

## 21.3 Output Mirror Copies

Mirror copies of all LCxCON output bits are contained in the CLCDATA register. Reading this register samples the outputs of all CLCs simultaneously. This prevents any timing skew introduced by testing or reading the LCxOUT bits in the individual CLCxCON registers.

## 21.4 Effects of a Reset

The CLCxCON register is cleared to zero as the result of a Reset. All other selection and gating values remain unchanged.

## 21.5 Operation During Sleep

The CLC module operates independently from the system clock and will continue to run during Sleep, provided that the input sources selected remain active.

The HFINTOSC remains active during Sleep when the CLC module is enabled and the HFINTOSC is selected as an input source, regardless of the system clock source selected.

In other words, if the HFINTOSC is simultaneously selected as the system clock and as a CLC input source, when the CLC is enabled, the CPU will go idle during Sleep, but the CLC will continue to operate and the HFINTOSC will remain active.

This will have a direct effect on the Sleep mode current.

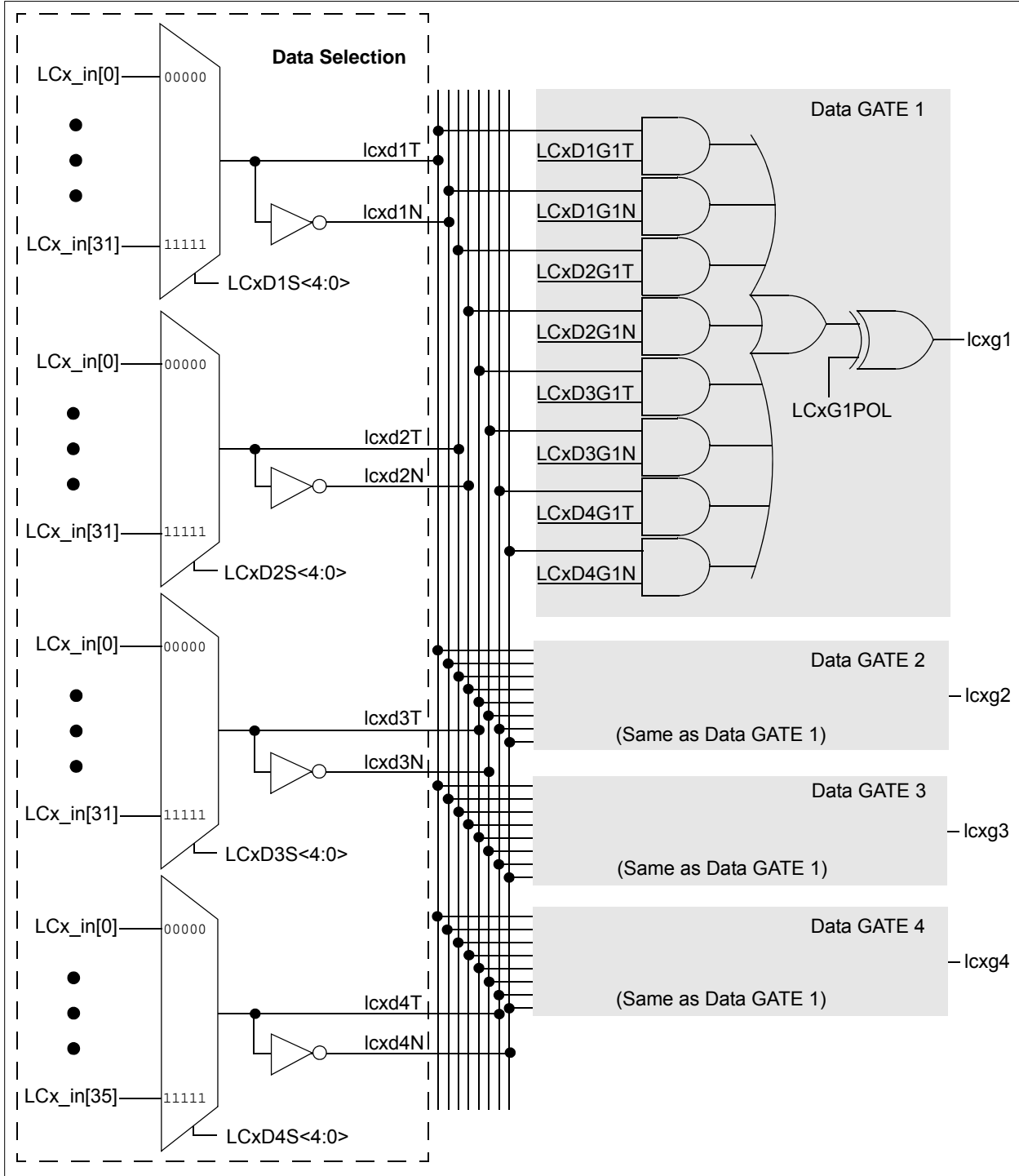
## 21.6 CLCx Setup Steps

The following steps should be followed when setting up the CLCx:

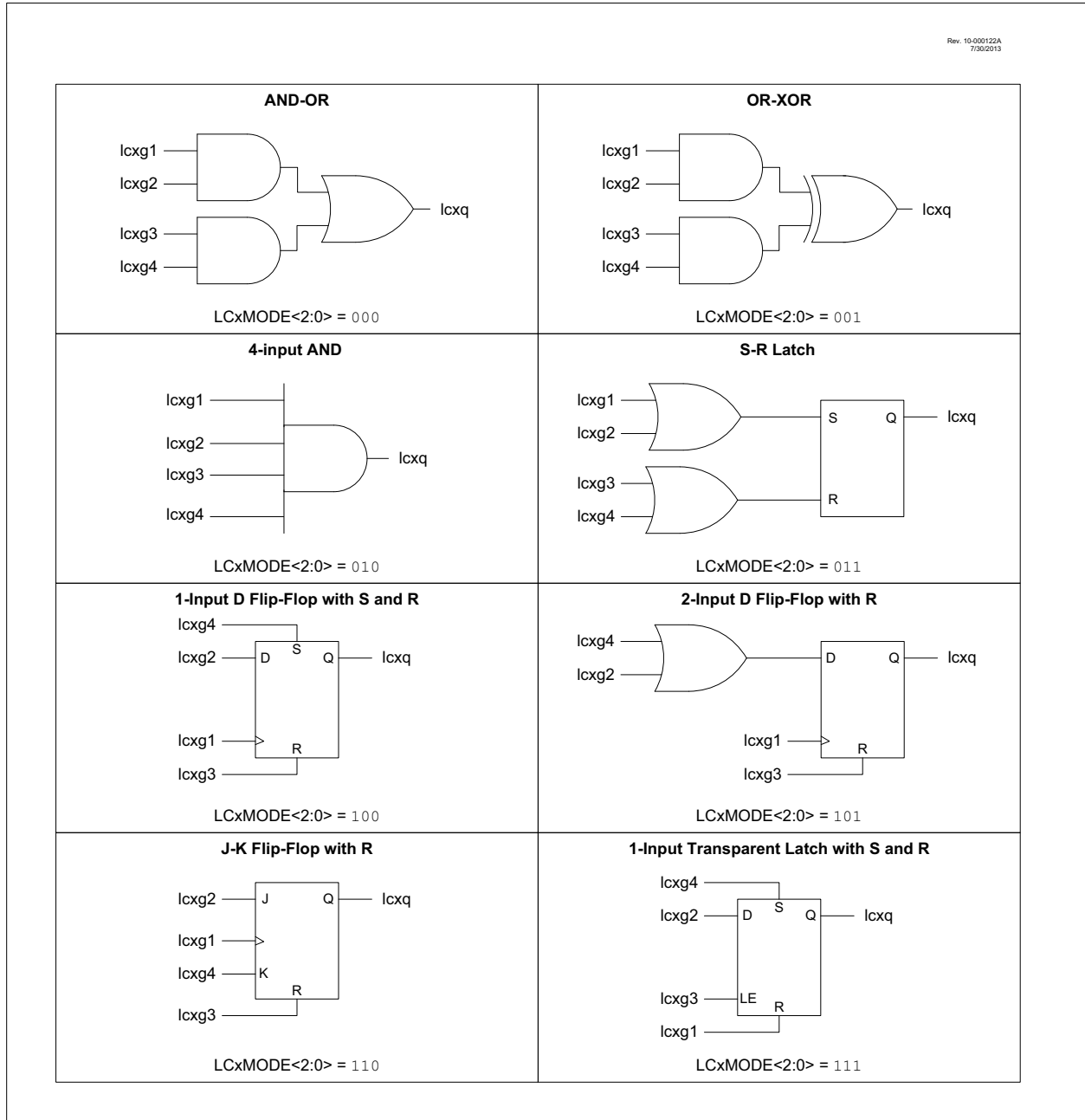
- Disable CLCx by clearing the LCxEN bit.
- Select desired inputs using CLCxSEL0 through CLCxSEL3 registers (See [Table 21-1](#)).
- Clear any associated ANSEL bits.
- Set all TRIS bits associated with external CLC inputs.
- Enable the chosen inputs through the four gates using CLCxGLS0, CLCxGLS1, CLCxGLS2, and CLCxGLS3 registers.
- Select the gate output polarities with the LCxGyPOL bits of the CLCxPOL register.
- Select the desired logic function with the LCxMODE<2:0> bits of the CLCxCON register.
- Select the desired polarity of the logic output with the LCxPOL bit of the CLCxPOL register. (This step may be combined with the previous gate output polarity step).
- If driving a device pin, set the desired pin PPS control register and also clear the TRIS bit corresponding to that output.
- If interrupts are desired, configure the following bits:
  - Set the LCxINTP bit in the CLCxCON register for rising event.
  - Set the LCxINTN bit in the CLCxCON register for falling event.
  - Set the CLCxIE bit of the PIE3 register.
  - Set the GIE and PEIE bits of the INTCON register.
- Enable the CLCx by setting the LCxEN bit of the CLCxCON register.

# PIC16(L)F18313/18323

**FIGURE 21-2: INPUT DATA SELECTION AND GATING**



**FIGURE 21-3: PROGRAMMABLE LOGIC FUNCTIONS**



# PIC16(L)F18313/18323

## 21.7 Register Definitions: CLC Control

**REGISTER 21-1: CLCxCON: CONFIGURABLE LOGIC CELL CONTROL REGISTER**

R/W-0/0	U-0	R-0/0	R/W-0/0	R/W-0/0	R/W-0/0	R/W-0/0	R/W-0/0
LCxEN	—	LCxOUT	LCxINTP	LCxINTN	LCxMODE<2:0>		
bit 7							bit 0

**Legend:**

R = Readable bit	W = Writable bit	U = Unimplemented bit, read as '0'
u = Bit is unchanged	x = Bit is unknown	-n/n = Value at POR and BOR/Value at all other Resets
'1' = Bit is set	'0' = Bit is cleared	

- bit 7      **LCxEN:** Configurable Logic Cell Enable bit
  - 1 = Configurable logic cell is enabled and mixing input signals
  - 0 = Configurable logic cell is disabled and has logic zero output
- bit 6      **Unimplemented:** Read as '0'
- bit 5      **LCxOUT:** Configurable Logic Cell Data Output bit
  - Read-only: logic cell output data, after LCPOL; sampled from CLCxOUT.
- bit 4      **LCxINTP:** Configurable Logic Cell Positive Edge Going Interrupt Enable bit
  - 1 = CLCxIF will be set when a rising edge occurs on CLCxOUT
  - 0 = CLCxIF will not be set
- bit 3      **LCxINTN:** Configurable Logic Cell Negative Edge Going Interrupt Enable bit
  - 1 = CLCxIF will be set when a falling edge occurs on CLCxOUT
  - 0 = CLCxIF will not be set
- bit 2-0    **LCxMODE<2:0>:** Configurable Logic Cell Functional Mode bits
  - 111 = Cell is 1-input transparent latch with S and R
  - 110 = Cell is J-K flip-flop with R
  - 101 = Cell is 2-input D flip-flop with R
  - 100 = Cell is 1-input D flip-flop with S and R
  - 011 = Cell is S-R latch
  - 010 = Cell is 4-input AND
  - 001 = Cell is OR-XOR
  - 000 = Cell is AND-OR



# PIC16(L)F18313/18323

## REGISTER 21-2: CLCxPOL: SIGNAL POLARITY CONTROL REGISTER

R/W-0/0	U-0	U-0	U-0	R/W-x/u	R/W-x/u	R/W-x/u	R/W-x/u
LCxPOL	—	—	—	LCxG4POL	LCxG3POL	LCxG2POL	LCxG1POL
bit 7							bit 0

### Legend:

R = Readable bit	W = Writable bit	U = Unimplemented bit, read as '0'
u = Bit is unchanged	x = Bit is unknown	-n/n = Value at POR and BOR/Value at all other Resets
'1' = Bit is set	'0' = Bit is cleared	

- bit 7      **LCxPOL:** CLCxOUT Output Polarity Control bit  
1 = The output of the logic cell is inverted  
0 = The output of the logic cell is not inverted
- bit 6-4    **Unimplemented:** Read as '0'
- bit 3      **LCxG4POL:** Gate 3 Output Polarity Control bit  
1 = The output of gate 3 is inverted when applied to the logic cell  
0 = The output of gate 3 is not inverted
- bit 2      **LCxG3POL:** Gate 2 Output Polarity Control bit  
1 = The output of gate 2 is inverted when applied to the logic cell  
0 = The output of gate 2 is not inverted
- bit 1      **LCxG2POL:** Gate 1 Output Polarity Control bit  
1 = The output of gate 1 is inverted when applied to the logic cell  
0 = The output of gate 1 is not inverted
- bit 0      **LCxG1POL:** Gate 0 Output Polarity Control bit  
1 = The output of gate 0 is inverted when applied to the logic cell  
0 = The output of gate 0 is not inverted

# PIC16(L)F18313/18323

## REGISTER 21-3: CLCxSEL0: GENERIC CLCx DATA 0 SELECT REGISTER

U-0	U-0	U-0	R/W-x/u	R/W-x/u	R/W-x/u	R/W-x/u	R/W-x/u
—	—	—	LCxD1S<4:0>				
bit 7							bit 0

### Legend:

R = Readable bit                      W = Writable bit                      U = Unimplemented bit, read as '0'  
u = Bit is unchanged                  x = Bit is unknown                  -n/n = Value at POR and BOR/Value at all other Resets  
'1' = Bit is set                          '0' = Bit is cleared

bit 7-5                      **Unimplemented:** Read as '0'  
bit 4-0                      **LCxD1S<4:0>**: CLCx Data1 Input Selection bits  
See [Table 21-1](#).

## REGISTER 21-4: CLCxSEL1: GENERIC CLCx DATA 1 SELECT REGISTER

U-0	U-0	U-0	R/W-x/u	R/W-x/u	R/W-x/u	R/W-x/u	R/W-x/u
—	—	—	LCxD2S<4:0>				
bit 7							bit 0

### Legend:

R = Readable bit                      W = Writable bit                      U = Unimplemented bit, read as '0'  
u = Bit is unchanged                  x = Bit is unknown                  -n/n = Value at POR and BOR/Value at all other Resets  
'1' = Bit is set                          '0' = Bit is cleared

bit 7-5                      **Unimplemented:** Read as '0'  
bit 4-0                      **LCxD2S<4:0>**: CLCx Data 2 Input Selection bits  
See [Table 21-1](#).

## REGISTER 21-5: CLCxSEL2: GENERIC CLCx DATA 2 SELECT REGISTER

U-0	U-0	U-0	R/W-x/u	R/W-x/u	R/W-x/u	R/W-x/u	R/W-x/u
—	—	—	LCxD3S<4:0>				
bit 7							bit 0

### Legend:

R = Readable bit                      W = Writable bit                      U = Unimplemented bit, read as '0'  
u = Bit is unchanged                  x = Bit is unknown                  -n/n = Value at POR and BOR/Value at all other Resets  
'1' = Bit is set                          '0' = Bit is cleared

bit 7-5                      **Unimplemented:** Read as '0'  
bit 4-0                      **LCxD3S<4:0>**: CLCx Data 3 Input Selection bits  
See [Table 21-1](#).

# PIC16(L)F18313/18323

## REGISTER 21-6: CLCxSEL3: GENERIC CLCx DATA 3 SELECT REGISTER

U-0	U-0	U-0	R/W-x/u	R/W-x/u	R/W-x/u	R/W-x/u	R/W-x/u
—	—	—	LCxD4S<4:0>				
bit 7							bit 0

### Legend:

R = Readable bit	W = Writable bit	U = Unimplemented bit, read as '0'
u = Bit is unchanged	x = Bit is unknown	-n/n = Value at POR and BOR/Value at all other Resets
'1' = Bit is set	'0' = Bit is cleared	

bit 7-5      **Unimplemented:** Read as '0'  
bit 4-0      **LCxD4S<4:0>:** CLCx Data 4 Input Selection bits  
See [Table 21-1](#).

## REGISTER 21-7: CLCxGLS0: GATE 0 LOGIC SELECT REGISTER

R/W-x/u	R/W-x/u	R/W-x/u	R/W-x/u	R/W-x/u	R/W-x/u	R/W-x/u	R/W-x/u
LCxG1D4T	LCxG1D4N	LCxG1D3T	LCxG1D3N	LCxG1D2T	LCxG1D2N	LCxG1D1T	LCxG1D1N
bit 7							bit 0

### Legend:

R = Readable bit	W = Writable bit	U = Unimplemented bit, read as '0'
u = Bit is unchanged	x = Bit is unknown	-n/n = Value at POR and BOR/Value at all other Resets
'1' = Bit is set	'0' = Bit is cleared	

bit 7      **LCxG1D4T:** Gate 0 Data 4 True (non-inverted) bit  
1 = CLCIN3 (true) is gated into CLCx Gate 0  
0 = CLCIN3 (true) is not gated into CLCx Gate 0

bit 6      **LCxG1D4N:** Gate 0 Data 4 Negated (inverted) bit  
1 = CLCIN3 (inverted) is gated into CLCx Gate 0  
0 = CLCIN3 (inverted) is not gated into CLCx Gate 0

bit 5      **LCxG1D3T:** Gate 0 Data 3 True (non-inverted) bit  
1 = CLCIN2 (true) is gated into CLCx Gate 0  
0 = CLCIN2 (true) is not gated into CLCx Gate 0

bit 4      **LCxG1D3N:** Gate 0 Data 3 Negated (inverted) bit  
1 = CLCIN2 (inverted) is gated into CLCx Gate 0  
0 = CLCIN2 (inverted) is not gated into CLCx Gate 0

bit 3      **LCxG1D2T:** Gate 0 Data 2 True (non-inverted) bit  
1 = CLCIN1 (true) is gated into CLCx Gate 0  
0 = CLCIN1 (true) is not gated into CLCx Gate 0

bit 2      **LCxG1D2N:** Gate 0 Data 2 Negated (inverted) bit  
1 = CLCIN1 (inverted) is gated into CLCx Gate 0  
0 = CLCIN1 (inverted) is not gated into CLCx Gate 0

bit 1      **LCxG1D1T:** Gate 0 Data 1 True (non-inverted) bit  
1 = CLCIN0 (true) is gated into CLCx Gate 0  
0 = CLCIN0 (true) is not gated into CLCx Gate 0

bit 0      **LCxG1D1N:** Gate 0 Data 1 Negated (inverted) bit  
1 = CLCIN0 (inverted) is gated into CLCx Gate 0  
0 = CLCIN0 (inverted) is not gated into CLCx Gate 0

# PIC16(L)F18313/18323

## REGISTER 21-8: CLCxGLS1: GATE 1 LOGIC SELECT REGISTER

R/W-x/u	R/W-x/u	R/W-x/u	R/W-x/u	R/W-x/u	R/W-x/u	R/W-x/u	R/W-x/u
LCxG2D4T	LCxG2D4N	LCxG2D3T	LCxG2D3N	LCxG2D2T	LCxG2D2N	LCxG2D1T	LCxG2D1N
bit 7							bit 0

### Legend:

R = Readable bit	W = Writable bit	U = Unimplemented bit, read as '0'
u = Bit is unchanged	x = Bit is unknown	-n/n = Value at POR and BOR/Value at all other Resets
'1' = Bit is set	'0' = Bit is cleared	

- bit 7      **LCxG2D4T:** Gate 1 Data 4 True (non-inverted) bit  
1 = CLCIN3 (true) is gated into CLCx Gate 1  
0 = CLCIN3 (true) is not gated into CLCx Gate 1
- bit 6      **LCxG2D4N:** Gate 1 Data 4 Negated (inverted) bit  
1 = CLCIN3 (inverted) is gated into CLCx Gate 1  
0 = CLCIN3 (inverted) is not gated into CLCx Gate 1
- bit 5      **LCxG2D3T:** Gate 1 Data 3 True (non-inverted) bit  
1 = CLCIN2 (true) is gated into CLCx Gate 1  
0 = CLCIN2 (true) is not gated into CLCx Gate 1
- bit 4      **LCxG2D3N:** Gate 1 Data 3 Negated (inverted) bit  
1 = CLCIN2 (inverted) is gated into CLCx Gate 1  
0 = CLCIN2 (inverted) is not gated into CLCx Gate 1
- bit 3      **LCxG2D2T:** Gate 1 Data 2 True (non-inverted) bit  
1 = CLCIN1 (true) is gated into CLCx Gate 1  
0 = CLCIN1 (true) is not gated into CLCx Gate 1
- bit 2      **LCxG2D2N:** Gate 1 Data 2 Negated (inverted) bit  
1 = CLCIN1 (inverted) is gated into CLCx Gate 1  
0 = CLCIN1 (inverted) is not gated into CLCx Gate 1
- bit 1      **LCxG2D1T:** Gate 1 Data 1 True (non-inverted) bit  
1 = CLCIN0 (true) is gated into CLCx Gate 1  
0 = CLCIN0 (true) is not gated into CLCx Gate 1
- bit 0      **LCxG2D1N:** Gate 1 Data 1 Negated (inverted) bit  
1 = CLCIN0 (inverted) is gated into CLCx Gate 1  
0 = CLCIN0 (inverted) is not gated into CLCx Gate 1

# PIC16(L)F18313/18323

## REGISTER 21-9: CLCxGLS2: GATE 2 LOGIC SELECT REGISTER

R/W-x/u	R/W-x/u	R/W-x/u	R/W-x/u	R/W-x/u	R/W-x/u	R/W-x/u	R/W-x/u
LCxG3D4T	LCxG3D4N	LCxG3D3T	LCxG3D3N	LCxG3D2T	LCxG3D2N	LCxG3D1T	LCxG3D1N
bit 7							bit 0

### Legend:

R = Readable bit	W = Writable bit	U = Unimplemented bit, read as '0'
u = Bit is unchanged	x = Bit is unknown	-n/n = Value at POR and BOR/Value at all other Resets
'1' = Bit is set	'0' = Bit is cleared	

bit 7	<b>LCxG3D4T:</b> Gate 2 Data 4 True (non-inverted) bit 1 = CLCIN3 (true) is gated into CLCx Gate 2 0 = CLCIN3 (true) is not gated into CLCx Gate 2
bit 6	<b>LCxG3D4N:</b> Gate 2 Data 4 Negated (inverted) bit 1 = CLCIN3 (inverted) is gated into CLCx Gate 2 0 = CLCIN3 (inverted) is not gated into CLCx Gate 2
bit 5	<b>LCxG3D3T:</b> Gate 2 Data 3 True (non-inverted) bit 1 = CLCIN2 (true) is gated into CLCx Gate 2 0 = CLCIN2 (true) is not gated into CLCx Gate 2
bit 4	<b>LCxG3D3N:</b> Gate 2 Data 3 Negated (inverted) bit 1 = CLCIN2 (inverted) is gated into CLCx Gate 2 0 = CLCIN2 (inverted) is not gated into CLCx Gate 2
bit 3	<b>LCxG3D2T:</b> Gate 2 Data 2 True (non-inverted) bit 1 = CLCIN1 (true) is gated into CLCx Gate 2 0 = CLCIN1 (true) is not gated into CLCx Gate 2
bit 2	<b>LCxG3D2N:</b> Gate 2 Data 2 Negated (inverted) bit 1 = CLCIN1 (inverted) is gated into CLCx Gate 2 0 = CLCIN1 (inverted) is not gated into CLCx Gate 2
bit 1	<b>LCxG3D1T:</b> Gate 2 Data 1 True (non-inverted) bit 1 = CLCIN0 (true) is gated into CLCx Gate 2 0 = CLCIN0 (true) is not gated into CLCx Gate 2
bit 0	<b>LCxG3D1N:</b> Gate 2 Data 1 Negated (inverted) bit 1 = CLCIN0 (inverted) is gated into CLCx Gate 2 0 = CLCIN0 (inverted) is not gated into CLCx Gate 2

# PIC16(L)F18313/18323

## REGISTER 21-10: CLCxGLS3: GATE 3 LOGIC SELECT REGISTER

R/W-x/u	R/W-x/u	R/W-x/u	R/W-x/u	R/W-x/u	R/W-x/u	R/W-x/u	R/W-x/u
LCxG4D4T	LCxG4D4N	LCxG4D3T	LCxG4D3N	LCxG4D2T	LCxG4D2N	LCxG4D1T	LCxG4D1N
bit 7							bit 0

### Legend:

R = Readable bit	W = Writable bit	U = Unimplemented bit, read as '0'
u = Bit is unchanged	x = Bit is unknown	-n/n = Value at POR and BOR/Value at all other Resets
'1' = Bit is set	'0' = Bit is cleared	

- bit 7      **LCxG4D4T:** Gate 3 Data 4 True (non-inverted) bit  
1 = CLCIN3 (true) is gated into CLCx Gate 3  
0 = CLCIN3 (true) is not gated into CLCx Gate 3
- bit 6      **LCxG4D4N:** Gate 3 Data 4 Negated (inverted) bit  
1 = CLCIN3 (inverted) is gated into CLCx Gate 3  
0 = CLCIN3 (inverted) is not gated into CLCx Gate 3
- bit 5      **LCxG4D3T:** Gate 3 Data 3 True (non-inverted) bit  
1 = CLCIN2 (true) is gated into CLCx Gate 3  
0 = CLCIN2 (true) is not gated into CLCx Gate 3
- bit 4      **LCxG4D3N:** Gate 3 Data 3 Negated (inverted) bit  
1 = CLCIN2 (inverted) is gated into CLCx Gate 3  
0 = CLCIN2 (inverted) is not gated into CLCx Gate 3
- bit 3      **LCxG4D2T:** Gate 3 Data 2 True (non-inverted) bit  
1 = CLCIN1 (true) is gated into CLCx Gate 3  
0 = CLCIN1 (true) is not gated into CLCx Gate 3
- bit 2      **LCxG4D2N:** Gate 3 Data 2 Negated (inverted) bit  
1 = CLCIN1 (inverted) is gated into CLCx Gate 3  
0 = CLCIN1 (inverted) is not gated into CLCx Gate 3
- bit 1      **LCxG4D1T:** Gate 3 Data 1 True (non-inverted) bit  
1 = CLCIN0 (true) is gated into CLCx Gate 3  
0 = CLCIN0 (true) is not gated into CLCx Gate 3
- bit 0      **LCxG4D1N:** Gate 3 Data 1 Negated (inverted) bit  
1 = CLCIN0 (inverted) is gated into CLCx Gate 3  
0 = CLCIN0 (inverted) is not gated into CLCx Gate 3

# PIC16(L)F18313/18323

## REGISTER 21-11: CLCDATA: CLC DATA OUTPUT

U-0	U-0	U-0	U-0	U-0	U-0	R-0	R-0
—	—	—	—	—	—	MLC2OUT	MLC1OUT
bit 7						bit 0	

### Legend:

R = Readable bit	W = Writable bit	U = Unimplemented bit, read as '0'
u = Bit is unchanged	x = Bit is unknown	-n/n = Value at POR and BOR/Value at all other Resets
'1' = Bit is set	'0' = Bit is cleared	

bit 7-2	<b>Unimplemented:</b> Read as '0'
bit 1	<b>MLC2OUT:</b> Mirror copy of LC2OUT bit
bit 0	<b>MLC1OUT:</b> Mirror copy of LC1OUT bit

**TABLE 21-3: SUMMARY OF REGISTERS ASSOCIATED WITH CLCx**

Name	Bit7	Bit6	Bit5	Bit4	Bit3	Bit2	Bit1	Bit0	Register on Page
ANSELA	—	—	ANSA5	ANSA4	—	ANSA2	ANSA1	ANSA0	132
TRISA	—	—	TRISA5	TRISA4	— <sup>(2)</sup>	TRISA2	TRISA1	TRISA0	131
ANSEL <sup>(1)</sup>	—	—	ANSC5	ANSC4	ANSC3	ANSC2	ANSC1	ANSC0	139
TRISC <sup>(1)</sup>	—	—	TRISC5	TRISC4	TRISC3	TRISC2	TRISC1	TRISC0	138
INTCON	GIE	PEIE	—	—	—	—	—	INTEDG	89
PIR3	OSFIF	CSWIF	—	—	—	—	CLC2IF	CLC1IF	98
PIE3	OSFIE	CSWIE	—	—	—	—	CLC2IE	CLC1IE	93
CLC1CON	LC1EN	—	LC1OUT	LC1INTP	LC1INTN	LC1MODE<2:0>			208
CLC1POL	LC1POL	—	—	—	LC1G4POL	LC1G3POL	LC1G2POL	LC1G1POL	209
CLC1SEL0	—	—	—	LC1D1S<4:0>					210
CLC1SEL1	—	—	—	LC1D2S<4:0>					210
CLC1SEL2	—	—	—	LC1D3S<4:0>					210
CLC1SEL3	—	—	—	LC1D4S<4:0>					211
CLC1GLS0	LC1G1D4T	LC1G1D4N	LC1G1D3T	LC1G1D3N	LC1G1D2T	LC1G1D2N	LC1G1D1T	LC1G1D1N	211
CLC1GLS1	LC1G2D4T	LC1G2D4N	LC1G2D3T	LC1G2D3N	LC1G2D2T	LC1G2D2N	LC1G2D1T	LC1G2D1N	212
CLC1GLS2	LC1G3D4T	LC1G3D4N	LC1G3D3T	LC1G3D3N	LC1G3D2T	LC1G3D2N	LC1G3D1T	LC1G3D1N	213
CLC1GLS3	LC1G4D4T	LC1G4D4N	LC1G4D3T	LC1G4D3N	LC1G4D2T	LC1G4D2N	LC1G4D1T	LC1G4D1N	214
CLC2CON	LC2EN	—	LC2OUT	LC2INTP	LC2INTN	LC2MODE<2:0>			208
CLC2POL	LC2POL	—	—	—	LC2G4POL	LC2G3POL	LC2G2POL	LC2G1POL	209
CLC2SEL0	—	—	—	LC2D1S<4:0>					210
CLC2SEL1	—	—	—	LC2D2S<4:0>					210
CLC2SEL2	—	—	—	LC2D3S<4:0>					210
CLC2SEL3	—	—	—	LC2D4S<4:0>					211

**Legend:** — = Unimplemented, read as '0'. Shaded cells are unused by the CLC module.

**Note 1:** PIC16(L)F18323 only.

# PIC16(L)F18313/18323

**TABLE 21-3: SUMMARY OF REGISTERS ASSOCIATED WITH CLCx (CONTINUED)**

Name	Bit7	Bit6	Bit5	Bit4	Bit3	Bit2	Bit1	Bit0	Register on Page
CLC2GLS0	LC2G1D4T	LC2G1D4N	LC2G1D3T	LC2G1D3N	LC2G1D2T	LC2G1D2N	LC2G1D1T	LC2G1D1N	<a href="#">211</a>
CLC2GLS1	LC2G2D4T	LC2G2D4N	LC2G2D3T	LC2G2D3N	LC2G2D2T	LC2G2D2N	LC2G2D1T	LC2G2D1N	<a href="#">212</a>
CLC2GLS2	LC2G3D4T	LC2G3D4N	LC2G3D3T	LC2G3D3N	LC2G3D2T	LC2G3D2N	LC2G3D1T	LC2G3D1N	<a href="#">213</a>
CLC2GLS3	LC2G4D4T	LC2G4D4N	LC2G4D3T	LC2G4D3N	LC2G4D2T	LC2G4D2N	LC2G4D1T	LC2G4D1N	<a href="#">214</a>
CLCDATA	—	—	—	—	—	—	MLC2OUT	MLC1OUT	<a href="#">215</a>
CLCIN0PPS	—	—	—	CLCIN0PPS<4:0>					<a href="#">144</a>
CLCIN1PPS	—	—	—	CLCIN1PPS<4:0>					<a href="#">144</a>
CLC1OUTPPS	—	—	—	CLC1OUTPPS<4:0>					<a href="#">144</a>
CLC2OUTPPS	—	—	—	CLC2OUTPPS<4:0>					<a href="#">144</a>

**Legend:** — = Unimplemented, read as '0'. Shaded cells are unused by the CLC module.

**Note 1:** PIC16(L)F18323 only.



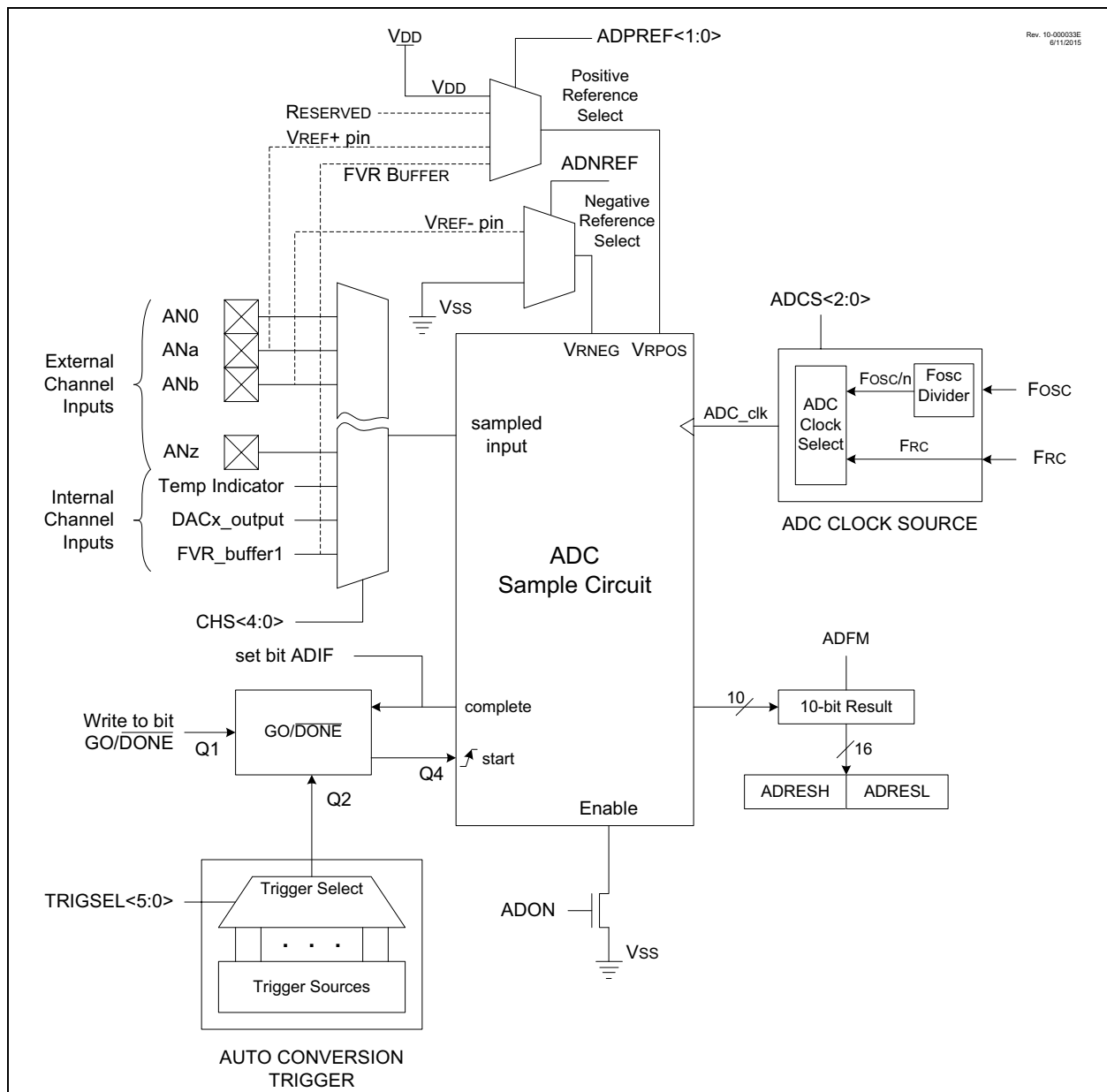
## 22.0 ANALOG-TO-DIGITAL CONVERTER (ADC) MODULE

The ADC can generate an interrupt upon completion of a conversion. This interrupt can be used to wake-up the device from Sleep.

The Analog-to-Digital Converter (ADC) allows conversion of an analog input signal to a 10-bit binary representation of that signal. This device uses analog inputs, which are multiplexed into a single sample and hold circuit. The output of the sample and hold is connected to the input of the converter. The converter generates a 10-bit binary result via successive approximation and stores the conversion result into the ADC result registers (ADRESH:ADRESL register pair). Figure 22-1 shows the block diagram of the ADC.

The ADC voltage reference is software selectable to be either internally generated or externally supplied.

**FIGURE 22-1: ADC BLOCK DIAGRAM**



# PIC16(L)F18313/18323

## 22.1 ADC Configuration

When configuring and using the ADC the following functions must be considered:

- Port configuration
- Channel selection
- ADC voltage reference selection
- ADC conversion clock source
- Interrupt control
- Result formatting

### 22.1.1 PORT CONFIGURATION

The ADC can be used to convert both analog and digital signals. When converting analog signals, the I/O pin should be configured for analog by setting the associated TRIS and ANSEL bits. Refer to [Section 12.0 “I/O Ports”](#) for more information.

**Note:** Analog voltages on any pin that is defined as a digital input may cause the input buffer to conduct excess current.

### 22.1.2 CHANNEL SELECTION

There are several channel selections available:

- Five PORTA pins (RA0-RA2, RA4-RA5)
- Six PORTC pins (RC0-RC5, PIC16(L)F18323 only)
- Temperature Indicator
- DAC output
- Fixed Voltage Reference (FVR)
- Vss (ground)

The CHS<5:0> bits of the ADCON0 register ([Register 22-1](#)) determine which channel is connected to the sample and hold circuit.

When changing channels, a delay is required before starting the next conversion. Refer to [Section 22.2 “ADC Operation”](#) for more information.

**Note:** It is recommended that when switching from an ADC channel of a higher voltage to a channel of a lower voltage, the software selects the Vss channel before switching to the channel of the lower voltage. If the ADC does not have a dedicated Vss input channel, the Vss selection (DAC1R<4:0> = b'00000') through the DAC output channel can be used. If the DAC is in use, a free input channel can be connected to Vss, and can be used in place of the DAC.

### 22.1.3 ADC VOLTAGE REFERENCE

The ADPREF<1:0> bits of the ADCON1 register provides control of the positive voltage reference. The positive voltage reference can be:

- VREF+ pin
- VDD
- FVR 2.048V
- FVR 4.096V (Not available on LF devices)

The ADNREF bit of the ADCON1 register provides control of the negative voltage reference. The negative voltage reference can be:

- VREF- pin
- Vss

See [Section 16.0 “Fixed Voltage Reference \(FVR\)”](#) for more details on the Fixed Voltage Reference.

### 22.1.4 CONVERSION CLOCK

The source of the conversion clock is software selectable via the ADCS<2:0> bits of the ADCON1 register. There are seven possible clock options:

- Fosc/2
- Fosc/4
- Fosc/8
- Fosc/16
- Fosc/32
- Fosc/64
- ADCRC (dedicated RC oscillator)

The time to complete one bit conversion is defined as TAD. One full 10-bit conversion requires 12 TAD periods as shown in [Figure 22-2](#).

For correct conversion, the appropriate TAD specification must be met. Refer to [Table 35-13](#) for more information. [Table 22-1](#) gives examples of appropriate ADC clock selections.

**Note:** Unless using the ADCRC, any changes in the system clock frequency will change the ADC clock frequency, which may adversely affect the ADC result.

**TABLE 22-1: ADC CLOCK PERIOD (TAD) Vs. DEVICE OPERATING FREQUENCIES**

ADC Clock Period (TAD)		Device Frequency (Fosc)					
ADC Clock Source	ADCS<2:0>	32 MHz	20 MHz	16 MHz	8 MHz	4 MHz	1 MHz
Fosc/2	000	62.5ns <sup>(2)</sup>	100 ns <sup>(2)</sup>	125 ns <sup>(2)</sup>	250 ns <sup>(2)</sup>	500 ns <sup>(2)</sup>	2.0 μs
Fosc/4	100	125 ns <sup>(2)</sup>	200 ns <sup>(2)</sup>	250 ns <sup>(2)</sup>	500 ns <sup>(2)</sup>	1.0 μs	4.0 μs
Fosc/8	001	0.5 μs <sup>(2)</sup>	400 ns <sup>(2)</sup>	0.5 μs <sup>(2)</sup>	1.0 μs	2.0 μs	8.0 μs <sup>(3)</sup>
Fosc/16	101	800 ns	800 ns	1.0 μs	2.0 μs	4.0 μs	16.0 μs <sup>(3)</sup>
Fosc/32	010	1.0 μs	1.6 μs	2.0 μs	4.0 μs	8.0 μs <sup>(3)</sup>	32.0 μs <sup>(2)</sup>
Fosc/64	110	2.0 μs	3.2 μs	4.0 μs	8.0 μs <sup>(3)</sup>	16.0 μs <sup>(2)</sup>	64.0 μs <sup>(2)</sup>
ADCRC	x11	1.0-6.0 μs <sup>(1,4)</sup>	1.0-6.0 μs <sup>(1,4)</sup>	1.0-6.0 μs <sup>(1,4)</sup>	1.0-6.0 μs <sup>(1,4)</sup>	1.0-6.0 μs <sup>(1,4)</sup>	1.0-6.0 μs <sup>(1,4)</sup>

**Legend:** Shaded cells are outside of recommended range.

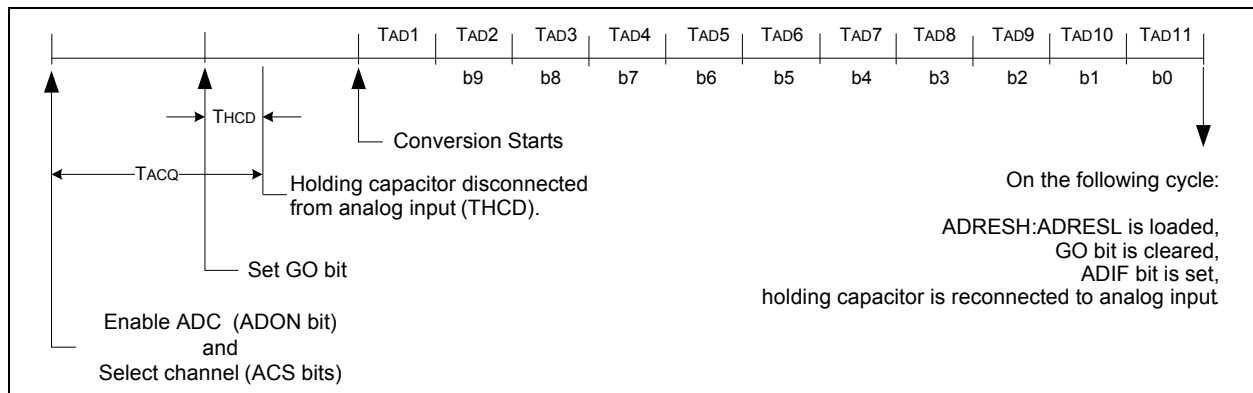
**Note 1:** See TAD parameter for ADCRC source typical TAD value.

**2:** These values violate the required TAD time.

**3:** Outside the recommended TAD time.

**4:** The ADC clock period (TAD) and total ADC conversion time can be minimized when the ADC clock is derived from the system clock Fosc. However, the ADCRC oscillator source must be used when conversions are to be performed with the device in Sleep mode.

**FIGURE 22-2: ANALOG-TO-DIGITAL CONVERSION TAD CYCLES**



# PIC16(L)F18313/18323

## 22.1.5 INTERRUPTS

The ADC module allows for the ability to generate an interrupt upon completion of an Analog-to-Digital conversion. The ADC Interrupt Flag is the ADIF bit in the PIR1 register. The ADC Interrupt Enable is the ADIE bit in the PIE1 register. The ADIF bit must be cleared in software.

**Note 1:** The ADIF bit is set at the completion of every conversion, regardless of whether or not the ADC interrupt is enabled.

**2:** The ADC operates during Sleep only when the ADCRC oscillator is selected.

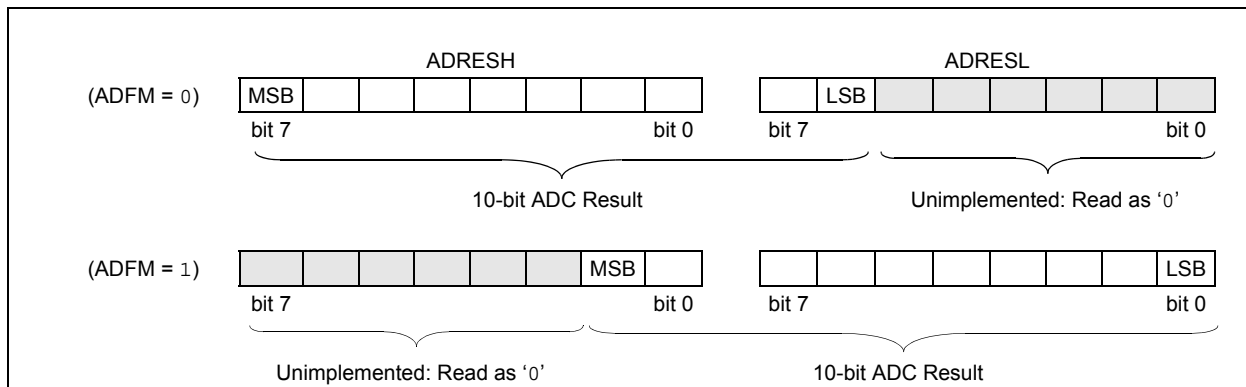
This interrupt can be generated while the device is operating or while in Sleep. If the device is in Sleep, the interrupt will wake-up the device. Upon waking from Sleep, the next instruction following the SLEEP instruction is always executed. If the user is attempting to wake-up from Sleep and resume in-line code execution, the ADIE bit of the PIE1 register and the PEIE bit of the INTCON register must both be set and the GIE bit of the INTCON register must be cleared. If all three of these bits are set, the execution will switch to the Interrupt Service Routine.

## 22.1.6 RESULT FORMATTING

The 10-bit ADC conversion result can be supplied in two formats, left justified or right justified. The ADFM bit of the ADCON1 register controls the output format.

Figure 22-3 shows the two output formats.

**FIGURE 22-3: 10-BIT ADC CONVERSION RESULT FORMAT**



## 22.2 ADC Operation

### 22.2.1 STARTING A CONVERSION

To enable the ADC module, the ADON bit of the ADCON0 register must be set to a '1'. Setting the GO/DONE bit of the ADCON0 register to a '1' will start the Analog-to-Digital conversion.

**Note:** The GO/DONE bit should not be set in the same instruction that turns on the ADC. Refer to [Section 22.2.6 “ADC Conversion Procedure”](#).

### 22.2.2 COMPLETION OF A CONVERSION

When the conversion is complete, the ADC module will:

- Clear the GO/DONE bit
- Set the ADIF Interrupt Flag bit
- Update the ADRESH and ADRESL registers with new conversion result

### 22.2.3 TERMINATING A CONVERSION

If a conversion must be terminated before completion, the GO/DONE bit can be cleared in software. The ADRESH and ADRESL registers will be updated with the partially complete Analog-to-Digital conversion sample. Incomplete bits will match the last bit converted.

**Note:** A device Reset forces all registers to their Reset state. Thus, the ADC module is turned off and any pending conversion is terminated.

### 22.2.4 ADC OPERATION DURING SLEEP

The ADC module can operate during Sleep. This requires the ADC clock source to be set to the ADCRC option. When the ADCRC oscillator source is selected, the ADC waits one additional instruction before starting the conversion. This allows the SLEEP instruction to be executed, which can reduce system noise during the conversion. If the ADC interrupt is enabled, the device will wake-up from Sleep when the conversion completes. If the ADC interrupt is disabled, the ADC module is turned off after the conversion completes, although the ADON bit remains set.

When the ADC clock source is something other than ADCRC, a SLEEP instruction causes the present conversion to be aborted and the ADC module is turned off, although the ADON bit remains set.

### 22.2.5 AUTO-CONVERSION TRIGGER

The Auto-conversion Trigger allows periodic ADC measurements without software intervention. When a rising edge of the selected source occurs, the GO/DONE bit is set by hardware.

The Auto-conversion Trigger source is selected with the ADACT<4:0> bits of the ADACT register.

See [Table 22-2](#) for auto-conversion sources.

**TABLE 22-2: ADC AUTO-CONVERSION SOURCES**

Source Peripheral	Description
TMR0	Timer0 Overflow condition
TMR1	Timer1 Overflow condition
TMR2	Match between Timer2 and PR2
C1	Comparator C1 output
C2 <sup>(1)</sup>	Comparator C2 output
CLC1	CLC1 output
CLC2	CLC2 output
CCP1	CCP1 output
CCP2	CCP2 output

**Note 1:** PIC16(L)F18323 only.

**Note:** The ADC auto-conversion feature is not available while the device is in Sleep mode

# PIC16(L)F18313/18323

## 22.2.6 ADC CONVERSION PROCEDURE

This is an example procedure for using the ADC to perform an Analog-to-Digital conversion:

1. Configure Port:
  - Disable pin output driver (Refer to the TRIS register)
  - Configure pin as analog (Refer to the ANSEL register)
2. Configure the ADC module:
  - Select ADC conversion clock
  - Select voltage reference
  - Select ADC input channel
  - Turn on ADC module
3. Configure ADC interrupt (optional):
  - Clear ADC interrupt flag
  - Enable ADC interrupt
  - Enable peripheral interrupt
  - Enable global interrupt<sup>(1)</sup>
4. Wait the required acquisition time<sup>(2)</sup>.
5. Start conversion by setting the GO/DONE bit.
6. Wait for ADC conversion to complete by one of the following:
  - Polling the GO/DONE bit
  - Waiting for the ADC interrupt
7. Read ADC Result.
8. Clear the ADC interrupt flag (required if interrupt is enabled).

**Note 1:** The global interrupt can be disabled if the user is attempting to wake-up from Sleep and resume in-line code execution.

**2:** Refer to [Section 22.3 “ADC Acquisition Requirements”](#).

## EXAMPLE 22-1: ADC CONVERSION

```
;This code block configures the ADC
;for polling, Vdd and Vss references, ADCRC
;oscillator and AN0 input.
;
;Conversion start & polling for completion ;
;are included.
;
BANKSEL    ADCON1    ;
MOVLW     B'11110000' ;Right justify, ADCRC
;oscillator
MOVWF     ADCON1    ;Vdd and Vss Vref
BANKSEL    TRISA     ;
BSF       TRISA,0   ;Set RA0 to input
BANKSEL    ANSEL     ;
BSF       ANSEL,0   ;Set RA0 to analog
BANKSEL    ADCON0    ;
MOVLW     B'00000001' ;Select channel AN0
MOVWF     ADCON0    ;Turn ADC On
CALL      SampleTime ;Acquisition delay
BSF       ADCON0,ADGO ;Start conversion
BTFSC    ADCON0,ADGO ;Is conversion done?
GOTO     $-1        ;No, test again
BANKSEL    ADRESH    ;
MOV       ADRESH,W   ;Read upper 2 bits
MOVWF    RESULTHI    ;store in GPR space
BANKSEL    ADRESL    ;
MOV       ADRESL,W   ;Read lower 8 bits
MOVWF    RESULTLO    ;Store in GPR space
```

## 22.3 ADC Acquisition Requirements

For the ADC to meet its specified accuracy, the charge holding capacitor (CHOLD) must be allowed to fully charge to the input channel voltage level. The Analog Input model is shown in Figure 22-4. The source impedance (RS) and the internal sampling switch (RSS) impedance directly affect the time required to charge the capacitor CHOLD. The sampling switch (RSS) impedance varies over the device voltage (VDD), refer to Figure 22-4. **The maximum recommended impedance for analog sources is 10 kΩ.** As the

source impedance is decreased, the acquisition time may be decreased. After the analog input channel is selected (or changed), an ADC acquisition must be done before the conversion can be started. To calculate the minimum acquisition time, Equation 22-1 may be used. This equation assumes that 1/2 LSB error is used (1,024 steps for the ADC). The 1/2 LSB error is the maximum error allowed for the ADC to meet its specified resolution.

### EQUATION 22-1: ACQUISITION TIME EXAMPLE

*Assumptions: Temperature = 50°C and external impedance of 10kΩ 5.0V VDD*

$$\begin{aligned} T_{ACQ} &= \text{Amplifier Settling Time} + \text{Hold Capacitor Charging Time} + \text{Temperature Coefficient} \\ &= T_{AMP} + T_C + T_{COFF} \\ &= 2\mu s + T_C + [(Temperature - 25^\circ C)(0.05\mu s/^\circ C)] \end{aligned}$$

*The value for TC can be approximated with the following equations:*

$$V_{APPLIED} \left( 1 - \frac{1}{(2^{n+1}) - 1} \right) = V_{CHOLD} \quad ;[1] \text{ } V_{CHOLD} \text{ charged to within } 1/2 \text{ lsb}$$

$$V_{APPLIED} \left( 1 - e^{-\frac{T_C}{RC}} \right) = V_{CHOLD} \quad ;[2] \text{ } V_{CHOLD} \text{ charge response to } V_{APPLIED}$$

$$V_{APPLIED} \left( 1 - e^{-\frac{T_C}{RC}} \right) = V_{APPLIED} \left( 1 - \frac{1}{(2^{n+1}) - 1} \right) \quad ;\text{combining [1] and [2]}$$

*Note: Where n = number of bits of the ADC.*

*Solving for TC:*

$$\begin{aligned} T_C &= -CHOLD(RIC + RSS + RS) \ln(1/2047) \\ &= -10pF(1k\Omega + 7k\Omega + 10k\Omega) \ln(0.0004885) \\ &= 1.37\mu s \end{aligned}$$

*Therefore:*

$$\begin{aligned} T_{ACQ} &= 2\mu s + 892ns + [(50^\circ C - 25^\circ C)(0.05\mu s/^\circ C)] \\ &= 4.62\mu s \end{aligned}$$

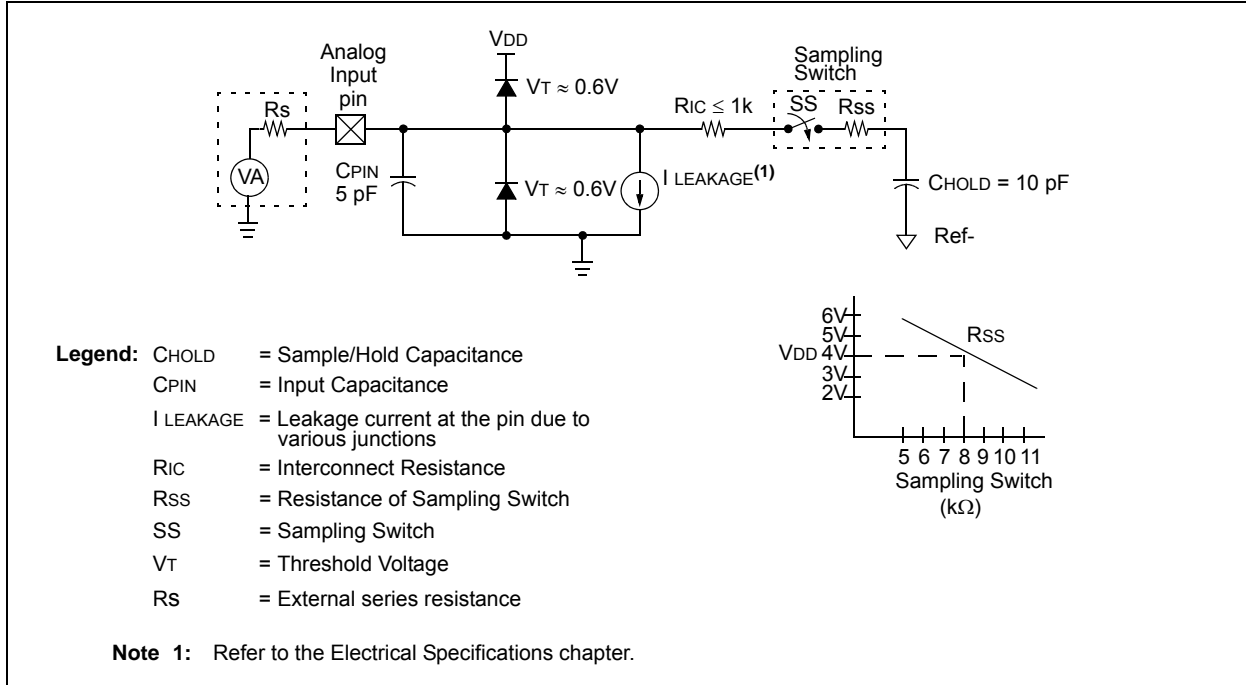
**Note 1:** The reference voltage (VREF) has no effect on the equation, since it cancels itself out.

**2:** The charge holding capacitor (CHOLD) is not discharged after each conversion.

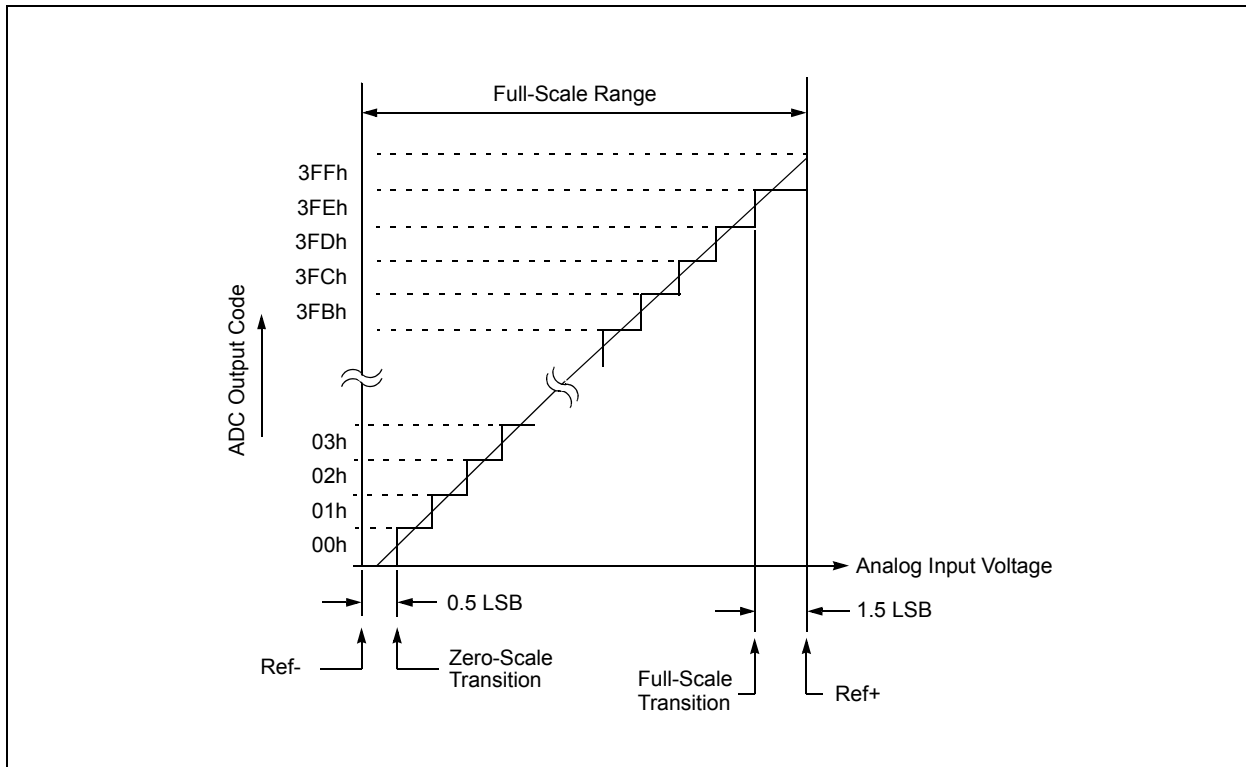
**3:** The maximum recommended impedance for analog sources is 10 kΩ. This is required to meet the pin leakage specification.

# PIC16(L)F18313/18323

**FIGURE 22-4: ANALOG INPUT MODEL**



**FIGURE 22-5: ADC TRANSFER FUNCTION**





## 22.4 Register Definitions: ADC Control

**REGISTER 22-1: ADCON0: ADC CONTROL REGISTER 0**

R/W-0/0	R/W-0/0	R/W-0/0	R/W-0/0	R/W-0/0	R/W-0/0	R/W-0/0	R/W-0/0
CHS<5:0>						GO/DONE	ADON
bit 7						bit 0	

**Legend:**

R = Readable bit	W = Writable bit	U = Unimplemented bit, read as '0'
u = Bit is unchanged	x = Bit is unknown	-n/n = Value at POR and BOR/Value at all other Resets
'1' = Bit is set	'0' = Bit is cleared	

bit 7-2      **CHS<5:0>**: Analog Channel Select bits

111111 = FVR (Fixed Voltage Reference)<sup>(2)</sup>  
 111110 = DAC1 output<sup>(1)</sup>  
 111101 = Temperature Indicator<sup>(3)</sup>  
 111100 = Vss  
 111011 = Reserved. No channel connected.  
 •  
 •  
 •  
 010101 = ANC5<sup>(4)</sup>  
 010100 = ANC4<sup>(4)</sup>  
 010011 = ANC3<sup>(4)</sup>  
 010010 = ANC2<sup>(4)</sup>  
 010001 = ANC1<sup>(4)</sup>  
 010000 = ANC0<sup>(4)</sup>  
 001011 = Reserved. No channel connected.  
 •  
 •  
 •  
 000101 = ANA5  
 000100 = ANA4  
 000011 = Reserved. No channel connected.  
 000010 = ANA2  
 000001 = ANA1  
 000000 = ANA0

bit 1      **GO/DONE**: ADC Conversion Status bit

1 = ADC conversion cycle in progress. Setting this bit starts an ADC conversion cycle.  
 This bit is automatically cleared by hardware when the ADC conversion has completed.  
 0 = ADC conversion completed/not in progress

bit 0      **ADON**: ADC Enable bit

1 = ADC is enabled  
 0 = ADC is disabled and consumes no operating current

- Note 1:** See [Section 24.0 “5-bit Digital-to-Analog Converter \(DAC1\) Module”](#) for more information.  
**Note 2:** See [Section 16.0 “Fixed Voltage Reference \(FVR\)”](#) for more information.  
**Note 3:** See [Section 17.0 “Temperature Indicator Module”](#) for more information.  
**Note 4:** PIC16(L)F18323 only.

# PIC16(L)F18313/18323

## REGISTER 22-2: ADCON1: ADC CONTROL REGISTER 1

R/W-0/0	R/W-0/0	R/W-0/0	R/W-0/0	U-0	R/W-0/0	R/W-0/0	R/W-0/0
ADFM	ADCS<2:0>			—	ADNREF	ADPREF<1:0>	
bit 7							bit 0

### Legend:

R = Readable bit	W = Writable bit	U = Unimplemented bit, read as '0'
u = Bit is unchanged	x = Bit is unknown	-n/n = Value at POR and BOR/Value at all other Resets
'1' = Bit is set	'0' = Bit is cleared	

- bit 7      **ADFM:** ADC Result Format Select bit  
 1 = Right justified. Six Most Significant bits of ADRESH are set to '0' when the conversion result is loaded.  
 0 = Left justified. Six Least Significant bits of ADRESL are set to '0' when the conversion result is loaded.
- bit 6-4      **ADCS<2:0>:** ADC Conversion Clock Select bits  
 111 = ADCRC (dedicated RC oscillator)  
 110 = Fosc/64  
 101 = Fosc/16  
 100 = Fosc/4  
 011 = ADCRC (dedicated RC oscillator)  
 010 = Fosc/32  
 001 = Fosc/8  
 000 = Fosc/2
- bit 3      **Unimplemented:** Read as '0'
- bit 2      **ADNREF:** A/D Negative Voltage Reference Configuration bit  
 When ADON = 0, all multiplexer inputs are disconnected.  
 0 = VREF- is connected to VSS  
 1 = VREF- is connected to external VREF-
- bit 1-0      **ADPREF<1:0>:** ADC Positive Voltage Reference Configuration bits  
 11 = VREF+ is connected to internal Fixed Voltage Reference (FVR) module<sup>(1)</sup>  
 10 = VREF+ is connected to external VREF+ pin<sup>(1)</sup>  
 01 = Reserved  
 00 = VREF+ is connected to VDD

**Note 1:** When selecting the VREF+ pin as the source of the positive reference, be aware that a minimum voltage specification exists. See [Table 35-13](#) for details.

# PIC16(L)F18313/18323

## REGISTER 22-3: ADOACT: A/D AUTO-CONVERSION TRIGGER

U-0	U-0	U-0	U-0	R/W-0/0	R/W-0/0	R/W-0/0	R/W-0/0
—	—	—	—	ADACT<3:0>			
bit 7				bit 0			

### Legend:

R = Readable bit	W = Writable bit	U = Unimplemented bit, read as '0'
u = Bit is unchanged	x = Bit is unknown	-n/n = Value at POR and BOR/Value at all other Resets
'1' = Bit is set	'0' = Bit is cleared	

bit 7-4      **Unimplemented:** Read as '0'

bit 3-0      **ADACT<3:0>:** Auto-Conversion Trigger Selection bits<sup>(1)</sup>

1111-1110	= Reserved
1101	= CCP2
1100	= CCP1
1011	= Reserved
1010	= Reserved
1001	= CLC2
1000	= CLC1
0111	= Comparator C2 <sup>(3)</sup>
0110	= Comparator C1
0101	= Timer2-PR2 match
0100	= Timer1 overflow <sup>(2)</sup>
0011	= Timer0 overflow <sup>(2)</sup>
0010	= Reserved
0001	= Reserved
0000	= No auto-conversion trigger selected

- Note 1:** This is a rising edge sensitive input for all sources.  
**Note 2:** Trigger corresponds to when the peripheral's interrupt flag is set.  
**Note 3:** PIC16(L)F18323 only.

# PIC16(L)F18313/18323

## REGISTER 22-4: ADRESH: ADC RESULT REGISTER HIGH (ADRESH) ADFM = 0

R/W-x/u	R/W-x/u	R/W-x/u	R/W-x/u	R/W-x/u	R/W-x/u	R/W-x/u	R/W-x/u
ADRES<9:2>							
bit 7							bit 0

### Legend:

R = Readable bit                      W = Writable bit                      U = Unimplemented bit, read as '0'  
u = Bit is unchanged                  x = Bit is unknown                  -n/n = Value at POR and BOR/Value at all other Resets  
'1' = Bit is set                          '0' = Bit is cleared

bit 7-0                      **ADRES<9:2>**: ADC Result Register bits  
Upper eight bits of 10-bit conversion result

## REGISTER 22-5: ADRESL: ADC RESULT REGISTER LOW (ADRESL) ADFM = 0

R/W-x/u	R/W-x/u	R/W-x/u	R/W-x/u	R/W-x/u	R/W-x/u	R/W-x/u	R/W-x/u
ADRES<1:0>	—	—	—	—	—	—	—
bit 7							bit 0

### Legend:

R = Readable bit                      W = Writable bit                      U = Unimplemented bit, read as '0'  
u = Bit is unchanged                  x = Bit is unknown                  -n/n = Value at POR and BOR/Value at all other Resets  
'1' = Bit is set                          '0' = Bit is cleared

bit 7-6                      **ADRES<1:0>**: ADC Result Register bits  
Lower two bits of 10-bit conversion result

bit 5-0                      **Reserved**: Do not use.

# PIC16(L)F18313/18323

## REGISTER 22-6: ADRESH: ADC RESULT REGISTER HIGH (ADRESH) ADFM = 1

R/W-x/u	R/W-x/u	R/W-x/u	R/W-x/u	R/W-x/u	R/W-x/u	R/W-x/u	R/W-x/u
—	—	—	—	—	—	ADRES<9:8>	
bit 7							bit 0

### Legend:

R = Readable bit	W = Writable bit	U = Unimplemented bit, read as '0'
u = Bit is unchanged	x = Bit is unknown	-n/n = Value at POR and BOR/Value at all other Resets
'1' = Bit is set	'0' = Bit is cleared	

bit 7-2      **Reserved:** Do not use.  
bit 1-0      **ADRES<9:8>:** ADC Result Register bits  
Upper two bits of 10-bit conversion result

## REGISTER 22-7: ADRESL: ADC RESULT REGISTER LOW (ADRESL) ADFM = 1

R/W-x/u	R/W-x/u	R/W-x/u	R/W-x/u	R/W-x/u	R/W-x/u	R/W-x/u	R/W-x/u
ADRES<7:0>							
bit 7							bit 0

### Legend:

R = Readable bit	W = Writable bit	U = Unimplemented bit, read as '0'
u = Bit is unchanged	x = Bit is unknown	-n/n = Value at POR and BOR/Value at all other Resets
'1' = Bit is set	'0' = Bit is cleared	

bit 7-0      **ADRES<7:0>:** ADC Result Register bits  
Lower eight bits of 10-bit conversion result

# PIC16(L)F18313/18323

**TABLE 22-3: SUMMARY OF REGISTERS ASSOCIATED WITH ADC**

Name	Bit 7	Bit 6	Bit 5	Bit 4	Bit 3	Bit 2	Bit 1	Bit 0	Register on Page
INTCON	GIE	PEIE	—	—	—	—	—	INTEDG	89
PIE1	TMR1GIE	ADIE	RCIE	TXIE	SSP1IE	BCL1IE	TMR2IE	TMR1IE	91
PIR1	TMR1GIF	ADIF	RCIF	TXIF	SSP1IF	BCL1IF	TMR2IF	TMR1IF	96
TRISA	—	—	TRISA5	TRISA4	— <sup>(2)</sup>	TRISA2	TRISA1	TRISA0	131
TRISC <sup>(1)</sup>	—	—	TRISC5	TRISC4	TRISC3	TRISC2	TRISC1	TRISC0	138
ANSELA	—	—	ANSA5	ANSA4	—	ANSA2	ANSA1	ANSA0	132
ANSELC <sup>(1)</sup>	—	—	ANSC5	ANSC4	ANSC3	ANSC2	ANSC1	ANSC0	139
ADCON0	CHS<5:0>						GO/DONE	ADON	225
ADCON1	ADFM	ADCS<2:0>			—	ADNREF	ADPREF<1:0>		226
ADACT	—	—	—	—	ADACT<3:0>				227
ADRESH	ADRESH<7:0>								228
ADRESL	ADRESL<7:0>								228
FVRCON	FVREN	FVRRDY	TSEN	TSRNG	CDAFVR<1:0>		ADFVR<1:0>		161
DAC1CON1	—	—	—	DAC1R<4:0>					245
OSCSTAT1	EXTOR	HFOR	—	LFOR	SOR	ADOR	—	PLLOR	80

**Legend:** — = unimplemented read as '0'. Shaded cells are not used for the ADC module.

**Note 1:** PIC16(L)F18323 only.

**2:** Unimplemented, read as '1'.

## 23.0 NUMERICALLY CONTROLLED OSCILLATOR (NCO1) MODULE

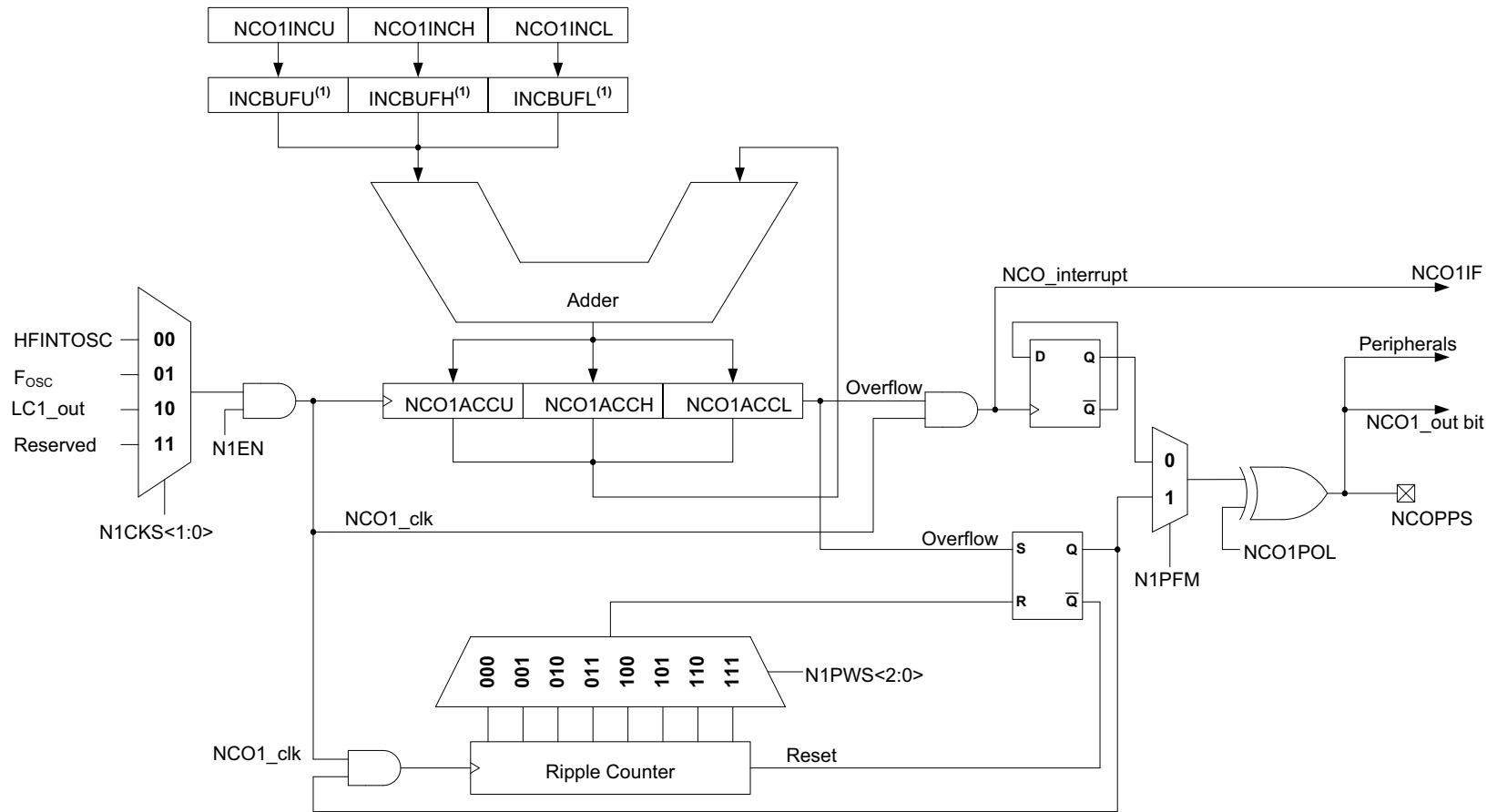
The Numerically Controlled Oscillator (NCO1) module is a timer that uses the overflow from the addition of an increment value to divide the input frequency. The advantage of the addition method over simple counter-driven timer is that the output frequency resolution does not vary with the divider value. The NCO1 is most useful for applications that require frequency accuracy and fine resolution at a fixed duty cycle.

Features of the NCO1 include:

- 20-bit increment function
- Fixed Duty Cycle (FDC) mode
- Pulse Frequency (PF) mode
- Output pulse width control
- Multiple clock input sources
- Output polarity control
- Interrupt capability

[Figure 23-1](#) is a simplified block diagram of the NCO1 module.

**FIGURE 23-1: NUMERICALLY CONTROLLED OSCILLATOR MODULE SIMPLIFIED BLOCK DIAGRAM**



**Note 1:** The increment registers are double-buffered to allow for value changes to be made without first disabling the NCO1 module. They are shown for reference only and are not user accessible.



## 23.1 NCO1 Operation

The NCO1 operates by repeatedly adding a fixed value to an accumulator. Additions occur at the input clock rate. The accumulator will overflow with a carry periodically, which is the raw NCO1 output (NCO\_overflow). This effectively reduces the input clock by the ratio of the addition value to the maximum accumulator value. See [Equation 23-1](#).

The NCO1 output can be further modified by stretching the pulse or toggling a flip-flop. The modified NCO1 output is then distributed internally to other peripherals and can optionally be output to a pin. The accumulator overflow also generates an interrupt (NCO\_interrupt).

The NCO1 period changes in discrete steps to create an average frequency.

### EQUATION 23-1: NCO1 OVERFLOW FREQUENCY

$$F_{OVERFLOW} = \frac{NCO1 \text{ Clock Frequency} \times \text{Increment Value}}{2^{20}}$$

#### 23.1.1 NCO1 CLOCK SOURCES

Clock sources available to the NCO1 include:

- HFINTOSC
- Fosc
- LC1\_out

The NCO1 clock source is selected by configuring the N1CKS<2:0> bits in the NCO1CLK register.

#### 23.1.2 ACCUMULATOR

The accumulator is a 20-bit register. Read and write access to the accumulator is available through three registers:

- NCO1ACCL
- NCO1ACCH
- NCO1ACCU

#### 23.1.3 ADDER

The NCO1 adder is a full adder, which operates independently from the system clock. The addition of the previous result and the increment value replaces the accumulator value on the rising edge of each input clock.

#### 23.1.4 INCREMENT REGISTERS

The increment value is stored in three registers making up a 20-bit increment. In order of LSB to MSB they are:

- NCO1INCL
- NCO1INCH
- NCO1INCU

When the NCO1 module is enabled, the NCO1INCU and NCO1INCH registers should be written first, then the NCO1INCL register. Writing to the NCO1INCL register initiates the increment buffer registers to be loaded simultaneously on the second rising edge of the NCO\_clk signal.

The registers are readable and writable. The increment registers are double-buffered to allow value changes to be made without first disabling the NCO1 module.

When the NCO1 module is disabled, the increment buffers are loaded immediately after a write to the increment registers.

**Note:** The increment buffer registers are not user-accessible.

# PIC16(L)F18313/18323

---

## 23.2 Fixed Duty Cycle (FDC) Mode

In Fixed Duty Cycle (FDC) mode, every time the accumulator overflows (NCO\_overflow), the output is toggled. This provides a 50% duty cycle with a constant frequency, provided that the increment value remains constant. The FDC frequency can be calculated using [Equation 23-2](#). The FDC frequency is half of the overflow frequency since it takes two overflow events to generate one FDC clock period. For more information, see [Figure 23-2](#).

### EQUATION 23-2: FDC FREQUENCY

$$F_{fdc} = F_{overflow}/2$$

The FDC mode is selected by clearing the N1PFM bit in the NCO1CON register.

## 23.3 Pulse Frequency (PF) Mode

In Pulse Frequency (PF) mode, every time the accumulator overflows (NCO\_overflow), the output becomes active for one or more clock periods. Once the clock period expires, the output returns to an inactive state. This provides a pulsed output. The output becomes active on the rising clock edge immediately following the overflow event. For more information, see [Figure 23-2](#).

The value of the active and inactive states depends on the polarity bit, N1POL, in the NCO1CON register.

The PF mode is selected by setting the N1PFM bit in the NCO1CON register.

### 23.3.1 OUTPUT PULSE WIDTH CONTROL

When operating in PF mode, the active state of the output can vary in width by multiple clock periods. Various pulse widths are selected with the N1PWS<2:0> bits in the NCO1CLK register.

When the selected pulse width is greater than the accumulator overflow time frame, the output of the NCO1 does not toggle.

## 23.4 Output Polarity Control

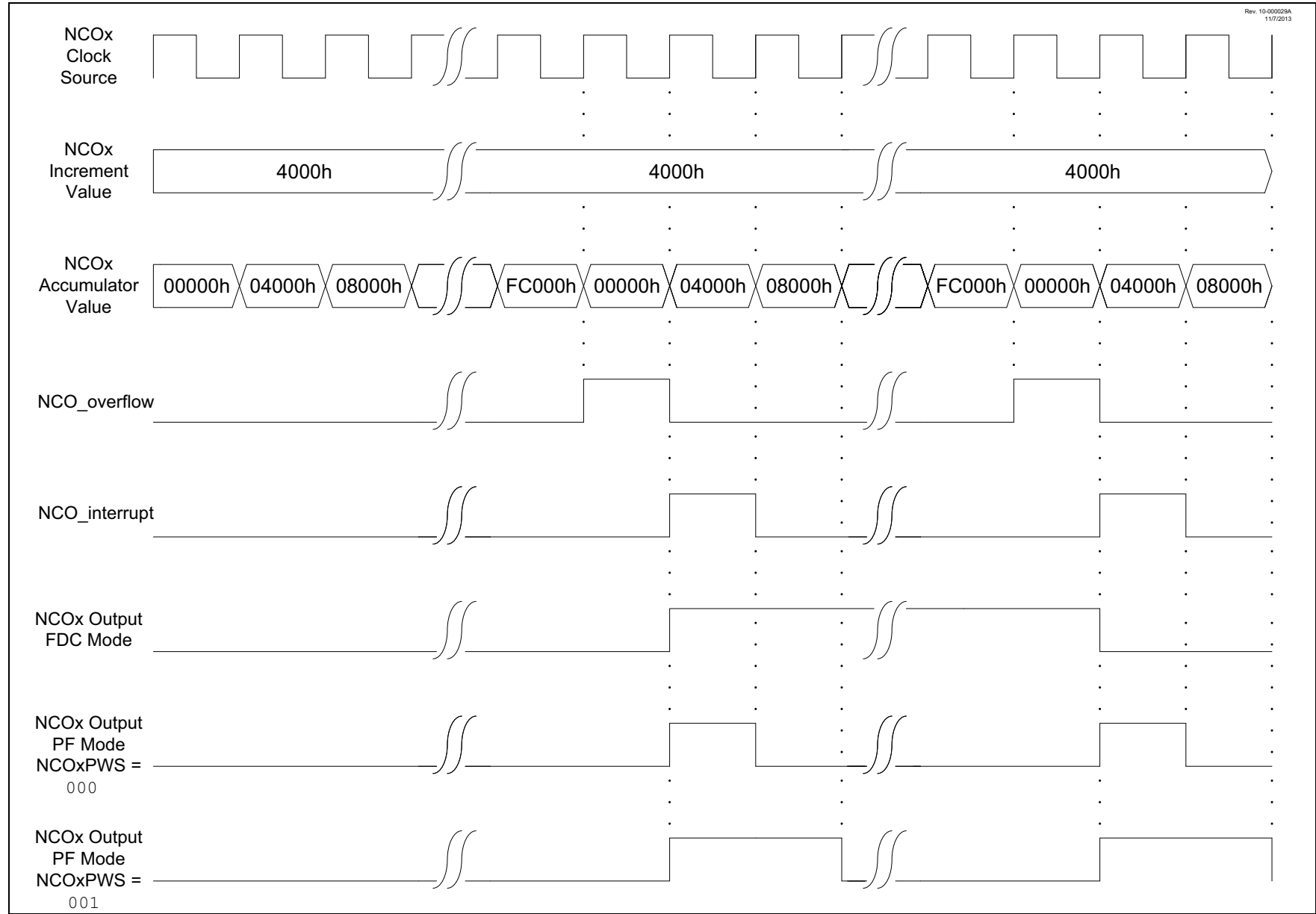
The last stage in the NCO1 module is the output polarity. The N1POL bit in the NCO1CON register selects the output polarity. Changing the polarity while the interrupts are enabled will cause an interrupt for the resulting output transition.

The NCO1 output can be used internally by source code or other peripherals. Accomplish this by reading the N1OUT (read-only) bit of the NCO1CON register.

The NCO1 output signal is available to the following peripherals:

- CWG

**FIGURE 23-2: FDC OUTPUT MODE OPERATION DIAGRAM**



# PIC16(L)F18313/18323

---

## 23.5 Interrupts

When the accumulator overflows (NCO\_overflow), the NCO1 Interrupt Flag bit, NCO1IF, of the PIR2 register is set. To enable the interrupt event (NCO\_interrupt), the following bits must be set:

- N1EN bit of the NCO1CON register
- NCO1IE bit of the PIE2 register
- PEIE bit of the INTCON register
- GIE bit of the INTCON register

The interrupt must be cleared by software by clearing the NCO1IF bit in the Interrupt Service Routine.

## 23.6 Effects of a Reset

All of the NCO1 registers are cleared to zero as the result of a Reset.

## 23.7 Operation in Sleep

The NCO1 module operates independently from the system clock and will continue to run during Sleep, provided that the clock source selected remains active.

The HFINTOSC remains active during Sleep when the NCO1 module is enabled and the HFINTOSC is selected as the clock source, regardless of the system clock source selected.

In other words, if the HFINTOSC is simultaneously selected as the system clock and the NCO1 clock source, when the NCO1 is enabled, the CPU will go idle during Sleep, but the NCO1 will continue to operate and the HFINTOSC will remain active.

This will have a direct effect on the Sleep mode current.

## 23.8 NCO1 Control Registers

**REGISTER 23-1: NCO1CON: NCO1 CONTROL REGISTER**

R/W-0/0	U-0	R-0/0	R/W-0/0	U-0	U-0	U-0	R/W-0/0
N1EN	—	N1OUT	N1POL	—	—	—	N1PFM
bit 7							bit 0

**Legend:**

R = Readable bit	W = Writable bit	U = Unimplemented bit, read as '0'
u = Bit is unchanged	x = Bit is unknown	-n/n = Value at POR and BOR/Value at all other Resets
'1' = Bit is set	'0' = Bit is cleared	

- bit 7      **N1EN:** NCO1 Enable bit  
1 = NCO1 module is enabled  
0 = NCO1 module is disabled
- bit 6      **Unimplemented:** Read as '0'.
- bit 5      **N1OUT:** NCO1 Output bit  
Displays the current output value of the NCO1 module
- bit 4      **N1POL:** NCO1 Polarity  
1 = NCO1 output signal is inverted  
0 = NCO1 output signal is not inverted
- bit 3-1    **Unimplemented:** Read as '0'.
- bit 0      **N1PFM:** NCO1 Output Divider mode  
1 = NCO1 operates in Pulse Frequency mode  
0 = NCO1 operates in Fixed Duty Cycle mode, divide by 2

# PIC16(L)F18313/18323

## REGISTER 23-2: NCO1CLK: NCO1 INPUT CLOCK CONTROL REGISTER

R/W-0/0	R/W-0/0	R/W-0/0	U-0	U-0	U-0	R/W-0/0	R/W-0/0
N1PWS<2:0>			—	—	—	N1CKS<1:0>	
bit 7							bit 0

### Legend:

R = Readable bit                      W = Writable bit                      U = Unimplemented bit, read as '0'  
u = Bit is unchanged                      x = Bit is unknown                      -n/n = Value at POR and BOR/Value at all other Resets  
'1' = Bit is set                              '0' = Bit is cleared

bit 7-5            **N1PWS<2:0>**: NCO1 Output Pulse Width Select<sup>(1, 2)</sup>  
000 = NCO1 output is active for 1 input clock period  
001 = NCO1 output is active for 2 input clock periods  
010 = NCO1 output is active for 4 input clock periods  
011 = NCO1 output is active for 8 input clock periods  
100 = NCO1 output is active for 16 input clock periods  
101 = NCO1 output is active for 32 input clock periods  
110 = NCO1 output is active for 64 input clock periods  
111 = NCO1 output is active for 128 input clock periods

bit 4-2            **Unimplemented**: Read as '0'

bit 1-0            **N1CKS<1:0>**: NCO1 Clock Source Select bits  
00 = HFINTOSC (16 MHz)  
01 = Fosc  
10 = CLC1OUT  
11 =Reserved

- Note 1:** N1PWS applies only when operating in Pulse Frequency mode.  
**2:** If NCO1 pulse width is greater than NCO1 overflow period, the NCO1 output does not toggle.

## REGISTER 23-3: NCO1ACCL: NCO1 ACCUMULATOR REGISTER – LOW BYTE

R/W-0/0	R/W-0/0	R/W-0/0	R/W-0/0	R/W-0/0	R/W-0/0	R/W-0/0	R/W-0/0
NCO1ACC<7:0>							
bit 7							bit 0

### Legend:

R = Readable bit                      W = Writable bit                      U = Unimplemented bit, read as '0'  
u = Bit is unchanged                      x = Bit is unknown                      -n/n = Value at POR and BOR/Value at all other Resets  
'1' = Bit is set                              '0' = Bit is cleared

bit 7-0            **NCO1ACC<7:0>**: NCO1 Accumulator, low byte

# PIC16(L)F18313/18323

## REGISTER 23-4: NCO1ACCH: NCO1 ACCUMULATOR REGISTER – HIGH BYTE

R/W-0/0	R/W-0/0	R/W-0/0	R/W-0/0	R/W-0/0	R/W-0/0	R/W-0/0	R/W-0/0
NCO1ACC<15:8>							
bit 7							bit 0

### Legend:

R = Readable bit	W = Writable bit	U = Unimplemented bit, read as '0'
u = Bit is unchanged	x = Bit is unknown	-n/n = Value at POR and BOR/Value at all other Resets
'1' = Bit is set	'0' = Bit is cleared	

bit 7-0      **NCO1ACC<15:8>**: NCO1 Accumulator, high byte

## REGISTER 23-5: NCO1ACCU: NCO1 ACCUMULATOR REGISTER – UPPER BYTE<sup>(1)</sup>

U-0	U-0	U-0	U-0	R/W-0/0	R/W-0/0	R/W-0/0	R/W-0/0
—				NCO1ACC<19:16>			
bit 7							bit 0

### Legend:

R = Readable bit	W = Writable bit	U = Unimplemented bit, read as '0'
u = Bit is unchanged	x = Bit is unknown	-n/n = Value at POR and BOR/Value at all other Resets
'1' = Bit is set	'0' = Bit is cleared	

bit 7-4      **Unimplemented:** Read as '0'

bit 3-0      **NCO1ACC<19:16>**: NCO1 Accumulator, upper byte

**Note 1:** The accumulator spans registers NCO1ACCU:NCO1ACCH:NCO1ACCL. The 24 bits are reserved but not all are used. This register updates in real-time, asynchronously to the CPU; there is no provision to guarantee atomic access to this 24-bit space using an 8-bit bus. Writing to this register while the module is operating will produce undefined results.

## REGISTER 23-6: NCO1INCL<sup>(1,2)</sup>: NCO1 INCREMENT REGISTER – LOW BYTE

R/W-0/0	R/W-0/0	R/W-0/0	R/W-0/0	R/W-0/0	R/W-0/0	R/W-0/0	R/W-1/1
NCO1INC<7:0>							
bit 7							bit 0

### Legend:

R = Readable bit	W = Writable bit	U = Unimplemented bit, read as '0'
u = Bit is unchanged	x = Bit is unknown	-n/n = Value at POR and BOR/Value at all other Resets
'1' = Bit is set	'0' = Bit is cleared	

bit 7-0      **NCO1INC<7:0>**: NCO1 Increment, low byte

**Note 1:** The logical increment spans NCO1INCUNCO1INCH:NCO1INCL.

**Note 2:** NCO1INC is double-buffered as INCBUF; INCBUF is updated on the next falling edge of NCOCLK after writing to NCO1INCL;NCO1INCUNCO1INCH should be written prior to writing NCO1INCL.

# PIC16(L)F18313/18323

## REGISTER 23-7: NCO1INCH<sup>(1)</sup>: NCO1 INCREMENT REGISTER – HIGH BYTE

R/W-0/0	R/W-0/0	R/W-0/0	R/W-0/0	R/W-0/0	R/W-0/0	R/W-0/0	R/W-0/0
NCO1INC<15:8>							
bit 7							bit 0

### Legend:

R = Readable bit

W = Writable bit

U = Unimplemented bit, read as '0'

u = Bit is unchanged

x = Bit is unknown

-n/n = Value at POR and BOR/Value at all other Resets

'1' = Bit is set

'0' = Bit is cleared

bit 7-0      **NCO1INC<15:8>**: NCO1 Increment, high byte

**Note 1:** The logical increment spans NCO1INC<sub>U</sub>:NCO1INCH:NCO1INCL.

## REGISTER 23-8: NCO1INC<sub>U</sub><sup>(1)</sup>: NCO1 INCREMENT REGISTER – UPPER BYTE

U-0	U-0	U-0	U-0	R/W-0/0	R/W-0/0	R/W-0/0	R/W-0/0
—	—	—	—	NCO1INC<19:16>			
bit 7							bit 0

### Legend:

R = Readable bit

W = Writable bit

U = Unimplemented bit, read as '0'

u = Bit is unchanged

x = Bit is unknown

-n/n = Value at POR and BOR/Value at all other Resets

'1' = Bit is set

'0' = Bit is cleared

bit 7-4      **Unimplemented:** Read as '0'

bit 3-0      **NCO1INC<19:16>**: NCO1 Increment, upper byte

**Note 1:** The logical increment spans NCO1INC<sub>U</sub>:NCO1INCH:NCO1INCL.



# PIC16(L)F18313/18323

**TABLE 23-1: SUMMARY OF REGISTERS ASSOCIATED WITH NCO1**

Name	Bit 7	Bit 6	Bit 5	Bit 4	Bit 3	Bit 2	Bit 1	Bit 0	Register on Page
TRISA	—	—	TRISA5	TRISA4	— <sup>(2)</sup>	TRISA2	TRISA1	TRISA0	<a href="#">131</a>
ANSELA	—	—	ANSA5	ANSA4	—	ANSA2	ANSA1	ANSA0	<a href="#">132</a>
TRISC <sup>(1)</sup>	—	—	TRISC5	TRISC4	TRISC3	TRISC2	TRISC1	TRISC0	<a href="#">138</a>
ANSELC <sup>(1)</sup>	—	—	ANSC5	ANSC4	ANSC3	ANSC2	ANSC1	ANSC0	<a href="#">139</a>
PIR2	—	C2IF <sup>(1)</sup>	C1IF	NVMIF	—	—	—	NCO1IF	<a href="#">97</a>
PIE2	—	C2IE <sup>(1)</sup>	C1IE	NVMIE	—	—	—	NCO1IE	<a href="#">92</a>
INTCON	GIE	PEIE	—	—	—	—	—	INTEDG	<a href="#">89</a>
NCO1CON	N1EN	—	N1OUT	N1POL	—	—	—	N1PFM	<a href="#">237</a>
NCO1CLK	N1PWS<2:0>			—	—	—	N1CKS<1:0>		<a href="#">238</a>
NCO1ACCL	NCO1ACC <7:0>								<a href="#">238</a>
NCO1ACCH	NCO1ACC <15:8>								<a href="#">239</a>
NCO1ACCU	—	—	—	—	NCO1ACC <19:16>				<a href="#">239</a>
NCO1INCL	NCO1INC<7:0>								<a href="#">239</a>
NCO1INCH	NCO1INC<15:8>								<a href="#">240</a>
NCO1INCU	—	—	—	—	NCO1INC<19:16>				<a href="#">240</a>
CWG1DAT	—	—	—	—	DAT<3:0>				<a href="#">196</a>
MDSRC	—	—	—	—	MDMS<3:0>				<a href="#">253</a>
MDCARH	—	MDCHPOL	MDCHSYNC	—	MDCH<3:0>				<a href="#">254</a>
MDCARL	—	MDCLPOL	MDCLSYNC	—	MDCL<3:0>				<a href="#">255</a>
CCPxCAP	—	—	—	—	CCPxCTS<3:0>				<a href="#">290</a>

**Legend:** — = unimplemented read as '0'. Shaded cells are not used for NCO1 module.

**Note 1:** PIC16(L)F18323 only.

**2:** Unimplemented, read as '1'.

# PIC16(L)F18313/18323

## 24.0 5-BIT DIGITAL-TO-ANALOG CONVERTER (DAC1) MODULE

The Digital-to-Analog Converter supplies a variable voltage reference, ratiometric with the input source, with 32 selectable output levels.

The input of the DAC can be connected to:

- External VREF pins
- VDD supply voltage
- FVR (Fixed Voltage Reference)

The output of the DAC can be configured to supply a reference voltage to the following:

- Comparator positive input
- ADC input channel
- DAC1OUT pin

The Digital-to-Analog Converter (DAC) is enabled by setting the DAC1EN bit of the DAC1CON0 register.

## 24.1 Output Voltage Selection

The DAC has 32 voltage level ranges. The 32 levels are set with the DAC1R<4:0> bits of the DAC1CON1 register.

The DAC output voltage is determined by [Equation 24-1](#):

### EQUATION 24-1: DAC OUTPUT VOLTAGE

$$V_{OUT} = \left( (V_{SOURCE+} - V_{SOURCE-}) \times \frac{DAC1R\langle 4:0 \rangle}{2^5} \right) + (V_{SOURCE-})$$
$$V_{SOURCE+} = V_{DD} \text{ or } V_{REF+} \text{ or } FVR$$
$$V_{SOURCE-} = V_{SS} \text{ or } V_{REF-}$$

## 24.2 Ratiometric Output Level

The DAC output value is derived using a resistor ladder with each end of the ladder tied to a positive and negative voltage reference input source. If the voltage of either input source fluctuates, a similar fluctuation will result in the DAC output value.

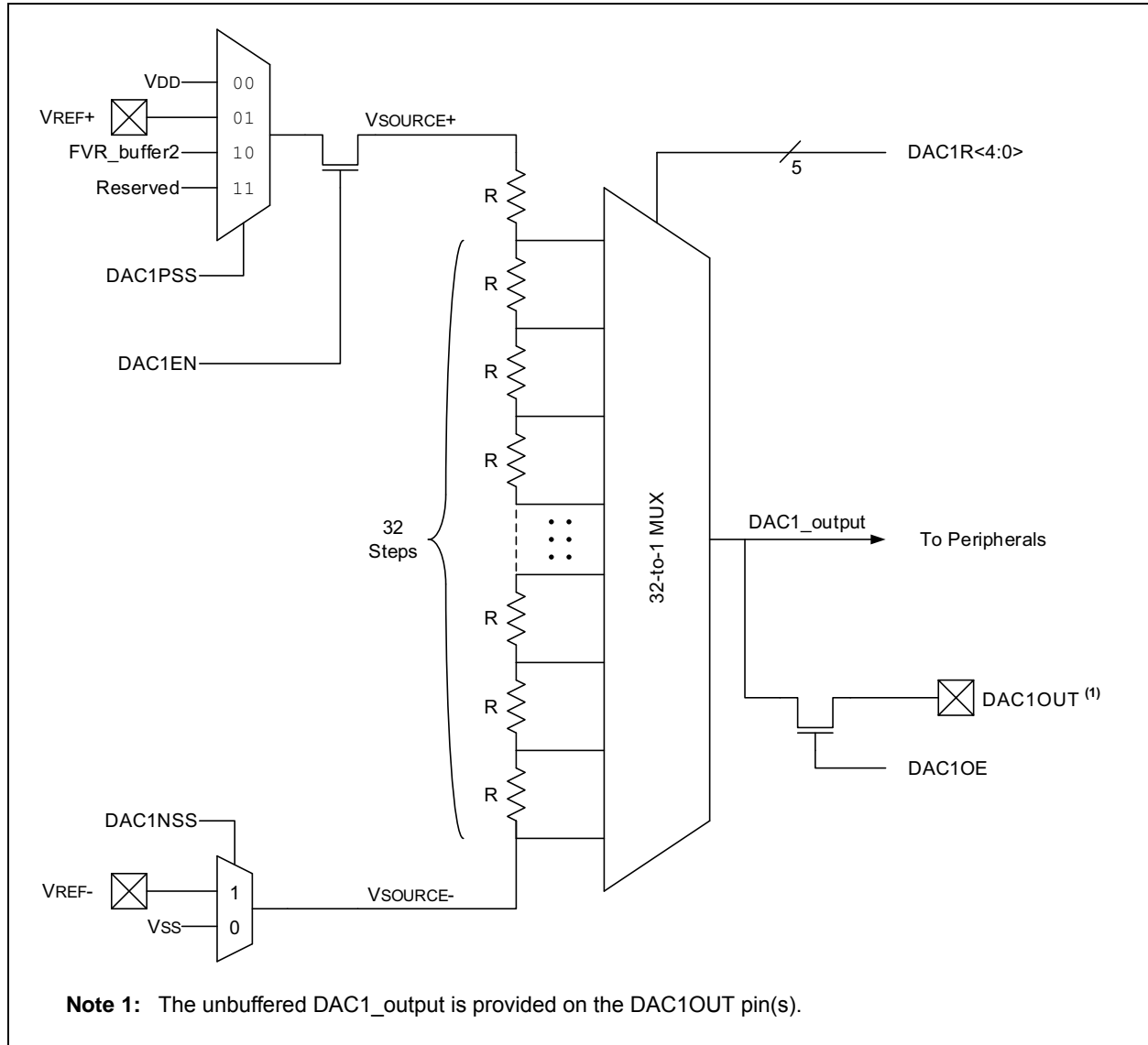
The value of the individual resistors within the ladder can be found in [Table 35-15](#).

## 24.3 DAC Voltage Reference Output

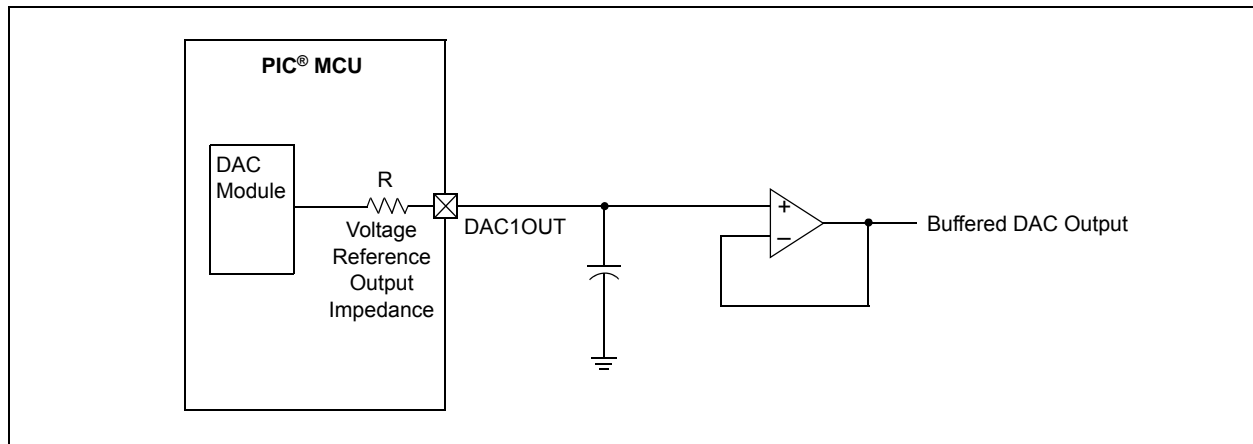
The DAC voltage can be output to the DAC1OUT pin by setting the DAC1OE bit of the DAC1CON0 register. Selecting the DAC reference voltage for output on the DAC1OUT pin automatically overrides the digital output buffer and digital input threshold detector functions, it disables the weak pull-up and the constant-current drive function of that pin. Reading the DAC1OUT pin when it has been configured for DAC reference voltage output will always return a '0'.

Due to the limited current drive capability, a buffer must be used on the DAC voltage reference output for external connections to the DAC1OUT pin. [Figure 24-2](#) shows an example buffering technique.

**FIGURE 24-1: DIGITAL-TO-ANALOG CONVERTER BLOCK DIAGRAM**



**FIGURE 24-2: VOLTAGE REFERENCE OUTPUT BUFFER EXAMPLE**



# PIC16(L)F18313/18323

## 24.4 Operation During Sleep

The DAC continues to function during Sleep. When the device wakes up from Sleep through an interrupt or a Watchdog Timer time-out, the contents of the DAC1CON0 register are not affected.

## 24.5 Effects of a Reset

A device Reset affects the following:

- DAC is disabled.
- DAC output voltage is removed from the DAC1OUT pin.
- The DAC1R<4:0> range select bits are cleared.

## 24.6 Register Definitions: DAC Control

### REGISTER 24-1: DACCON0: VOLTAGE REFERENCE CONTROL REGISTER 0

R/W-0/0	U-0	R/W-0/0	U-0	R/W-0/0	R/W-0/0	U-0	R/W-0/0
DAC1EN	—	DAC1OE	—	DAC1PSS<1:0>		—	DAC1NSS
bit 7							bit 0

#### Legend:

R = Readable bit

W = Writable bit

U = Unimplemented bit, read as '0'

u = Bit is unchanged

x = Bit is unknown

-n/n = Value at POR and BOR/Value at all other Resets

'1' = Bit is set

'0' = Bit is cleared

bit 7      **DAC1EN:** DAC1 Enable bit  
1 = DAC is enabled  
0 = DAC is disabled

bit 6      **Unimplemented:** Read as '0'

bit 5      **DAC1OE:** DAC1 Voltage Output 1 Enable bit  
1 = DAC voltage level is output on the DAC1OUT pin  
0 = DAC voltage level is disconnected from the DAC1OUT pin

bit 4      **Unimplemented:** Read as '0'

bit 3-2    **DAC1PSS<1:0>:** DAC1 Positive Source Select bits  
11 = Reserved, do not use  
10 = FVR output  
01 = VREF+ pin  
00 = VDD

bit 1      **Unimplemented:** Read as '0'

bit 0      **DAC1NSS:** DAC1 Negative Source Select bits  
1 = VREF- pin  
0 = VSS

# PIC16(L)F18313/18323

**REGISTER 24-2: DACCON1: VOLTAGE REFERENCE CONTROL REGISTER 1**

U-0	U-0	U-0	R/W-0/0	R/W-0/0	R/W-0/0	R/W-0/0	R/W-0/0
—	—	—	DAC1R<4:0>				
bit 7							bit 0

**Legend:**

R = Readable bit	W = Writable bit	U = Unimplemented bit, read as '0'
u = Bit is unchanged	x = Bit is unknown	-n/n = Value at POR and BOR/Value at all other Resets
'1' = Bit is set	'0' = Bit is cleared	

bit 7-5      **Unimplemented:** Read as '0'  
bit 4-0      **DAC1R<4:0>:** DAC1 Voltage Output Select bits  
 $V_{OUT} = (V_{SRC+} - V_{SRC-}) * (DAC1R<4:0>/32) + V_{SRC}$

**TABLE 24-1: SUMMARY OF REGISTERS ASSOCIATED WITH THE DAC1 MODULE**

Name	Bit 7	Bit 6	Bit 5	Bit 4	Bit 3	Bit 2	Bit 1	Bit 0	Register on page
DACCON0	DAC1EN	—	DAC1OE	—	DAC1PSS<1:0>		—	DAC1NSS	244
DACCON1	—	—	—	DAC1R<4:0>					245
CMxCON1	CxINTP	CxINTN	CxPCH<2:0>		CxNCH<2:0>				172
ADCON0	CHS<5:0>					GO/DONE	ADON		225

**Legend:** — = Unimplemented location, read as '0'. Shaded cells are not used with the DAC module.

# PIC16(L)F18313/18323

---

## 25.0 DATA SIGNAL MODULATOR (DSM) MODULE

The Data Signal Modulator (DSM) is a peripheral which allows the user to mix a data stream, also known as a modulator signal, with a carrier signal to produce a modulated output.

Both the carrier and the modulator signals are supplied to the DSM module either internally from the output of a peripheral, or externally through an input pin.

The modulated output signal is generated by performing a logical “AND” operation of both the carrier and modulator signals and then provided to the MDOOUT pin.

The carrier signal is comprised of two distinct and separate signals. A carrier high (CARH) signal and a carrier low (CARL) signal. During the time in which the modulator (MOD) signal is in a logic high state, the DSM mixes the carrier high signal with the modulator signal. When the modulator signal is in a logic low state, the DSM mixes the carrier low signal with the modulator signal.

Using this method, the DSM can generate the following types of key modulation schemes:

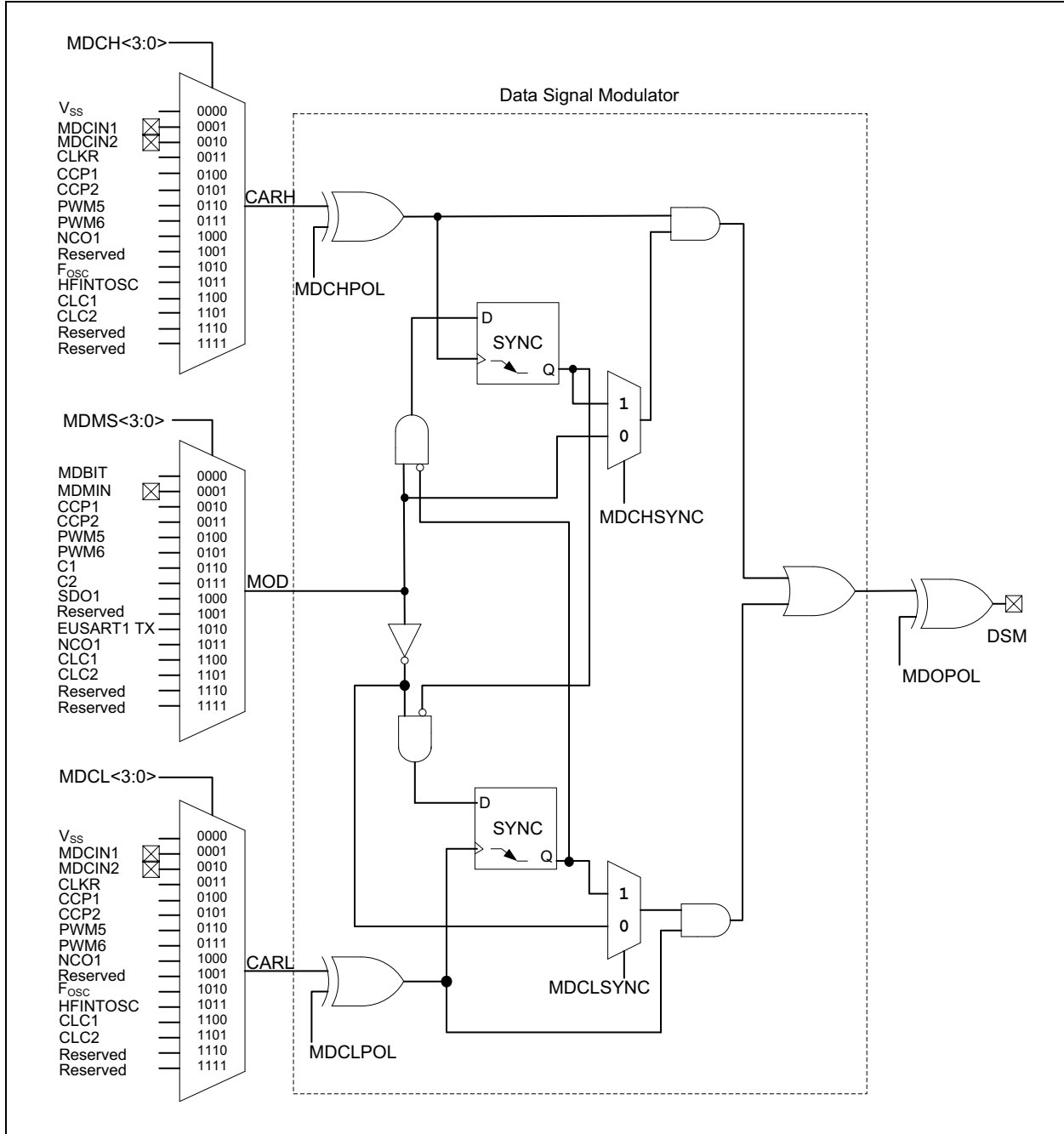
- Frequency-Shift Keying (FSK)
- Phase-Shift Keying (PSK)
- On-Off Keying (OOK)

Additionally, the following features are provided within the DSM module:

- Carrier Synchronization
- Carrier Source Polarity Select
- Carrier Source Pin Disable
- Programmable Modulator Data
- Modulator Source Pin Disable
- Modulated Output Polarity Select
- Slew Rate Control

[Figure 25-1](#) shows a simplified block diagram of the Data Signal Modulator peripheral.

**FIGURE 25-1: SIMPLIFIED BLOCK DIAGRAM OF THE DATA SIGNAL MODULATOR**



# PIC16(L)F18313/18323

---

## 25.1 DSM Operation

The DSM module can be enabled by setting the MDEN bit in the MDCON register. Clearing the MDEN bit in the MDCON register, disables the DSM module by automatically switching the carrier high and carrier low signals to the Vss signal source. The modulator signal source is also switched to the MDBIT in the MDCON register. This not only assures that the DSM module is inactive, but that it is also consuming the least amount of current.

The values used to select the carrier high, carrier low, and modulator sources held by the Modulation Source, Modulation High Carrier, and Modulation Low Carrier control registers are not affected when the MDEN bit is cleared and the DSM module is disabled. The values inside these registers remain unchanged while the DSM is inactive. The sources for the carrier high, carrier low and modulator signals will once again be selected when the MDEN bit is set and the DSM module is again enabled and active.

The modulated output signal can be disabled without shutting down the DSM module. The DSM module will remain active and continue to mix signals, but the output value will not be sent to the DSM pin. During the time that the output is disabled, the DSM pin will remain low. The modulated output can be disabled by clearing the MDEN bit in the MDCON register.

## 25.2 Modulator Signal Sources

The modulator signal can be supplied from the following sources:

- CCP1 Output
- CCP2 Output
- PWM5 Output
- PWM6 Output
- MSSP1 SDO1 (SPI mode only)
- Comparator C1 Output
- Comparator C2 Output (PIC16(L)F18323 only)
- EUSART1 TX Output
- External Signal on MDMIN pin
- NCO1 Output
- CLC1 Output
- CLC2 Output
- MDBIT bit in the MDCON register

The modulator signal is selected by configuring the MDMS <3:0> bits in the MDSRC register.

## 25.3 Carrier Signal Sources

The carrier high signal and carrier low signal can be supplied from the following sources:

- CCP1 Output
- CCP2 Output
- PWM5 Output
- PWM6 Output
- NCO1 Output
- Fosc (System Clock)
- HFINTOSC
- CLC1 Output
- CLC2 Output
- CLKR
- External Signal on MDCIN1 pin
- External Signal on MDCIN2 pin
- Vss

The carrier high signal is selected by configuring the MDCH <3:0> bits in the MDCARH register. The carrier low signal is selected by configuring the MDCL <3:0> bits in the MDCARL register.

## 25.4 Carrier Synchronization

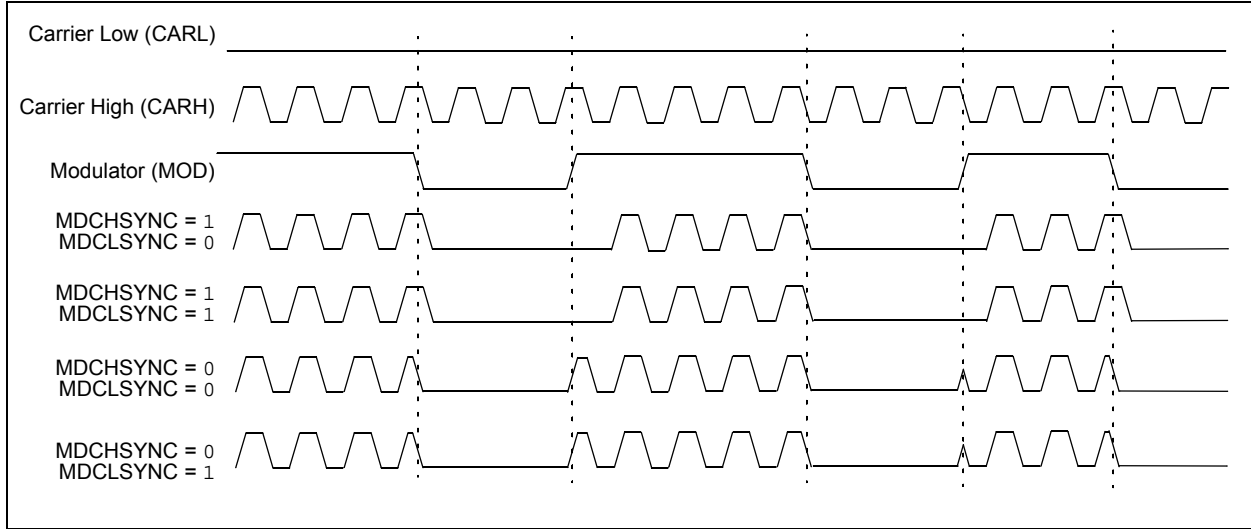
During the time when the DSM switches between carrier high and carrier low signal sources, the carrier data in the modulated output signal can become truncated. To prevent this, the carrier signal can be synchronized to the modulator signal. When the modulator signal transitions away from the synchronized carrier, the unsynchronized carrier source is immediately active, while the synchronized carrier remains active until its next falling edge. When the modulator signal transitions back to the synchronized carrier, the unsynchronized carrier is immediately disabled, and the modulator waits until the next falling edge of the synchronized carrier before the synchronized carrier becomes active.

Synchronization is enabled separately for the carrier high and carrier low signal sources. Synchronization for the carrier high signal is enabled by setting the MDCHSYNC bit in the MDCARH register. Synchronization for the carrier low signal is enabled by setting the MDCLSYNC bit in the MDCARL register.

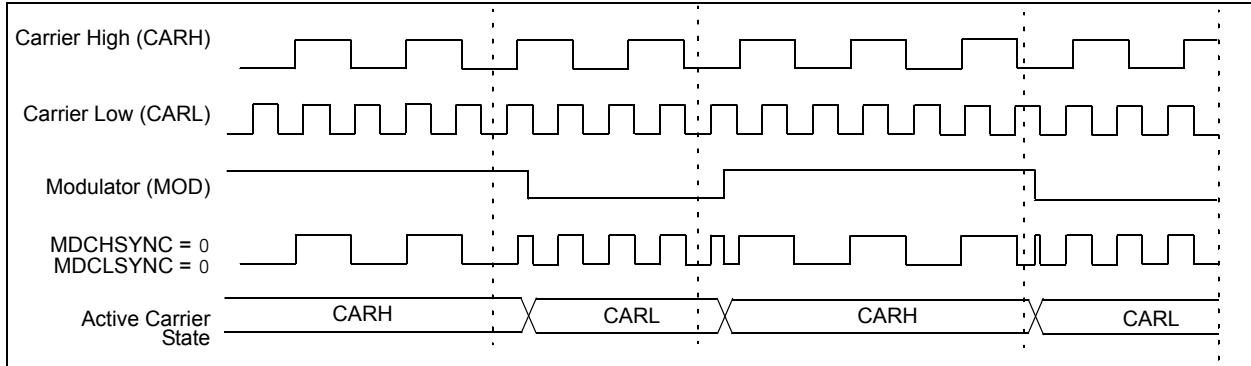
[Figure 25-1](#) through [Figure 25-6](#) show timing diagrams of using various synchronization methods.



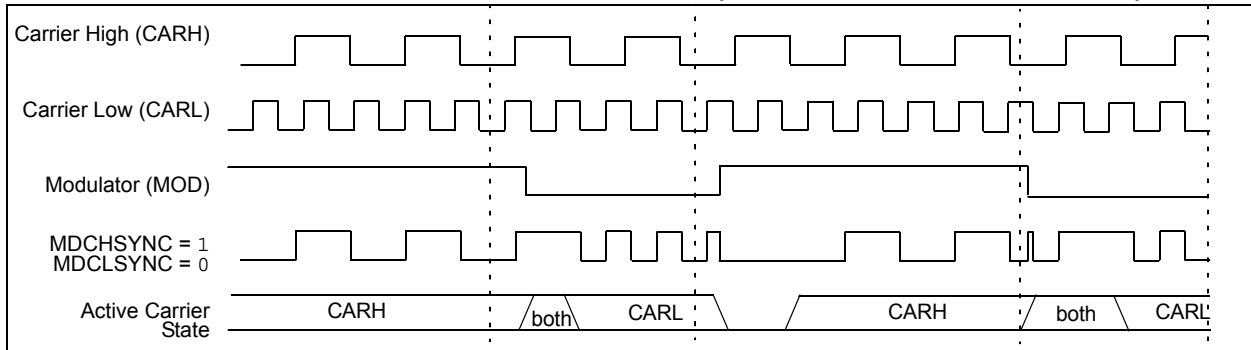
**FIGURE 25-2: ON OFF KEYING (OOK) SYNCHRONIZATION**



**FIGURE 25-3: NO SYNCHRONIZATION (MDSHSYNC = 0, MDCLSYNC = 0)**

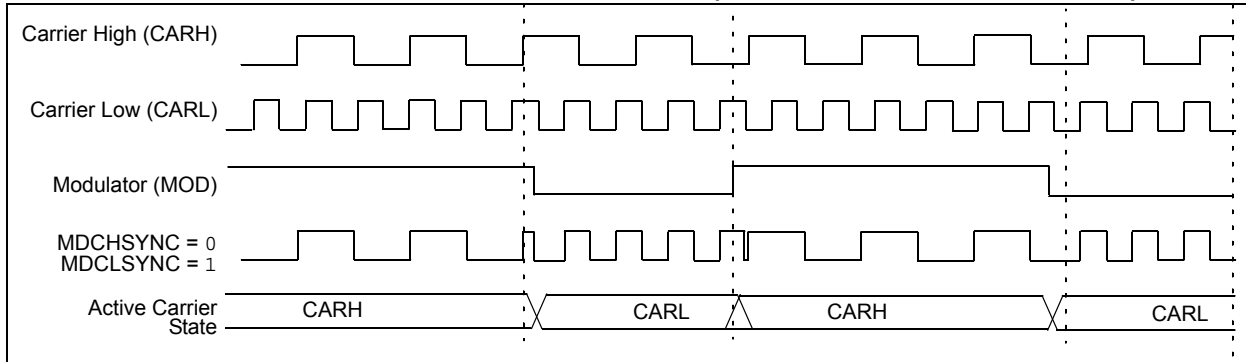


**FIGURE 25-4: CARRIER HIGH SYNCHRONIZATION (MDSHSYNC = 1, MDCLSYNC = 0)**

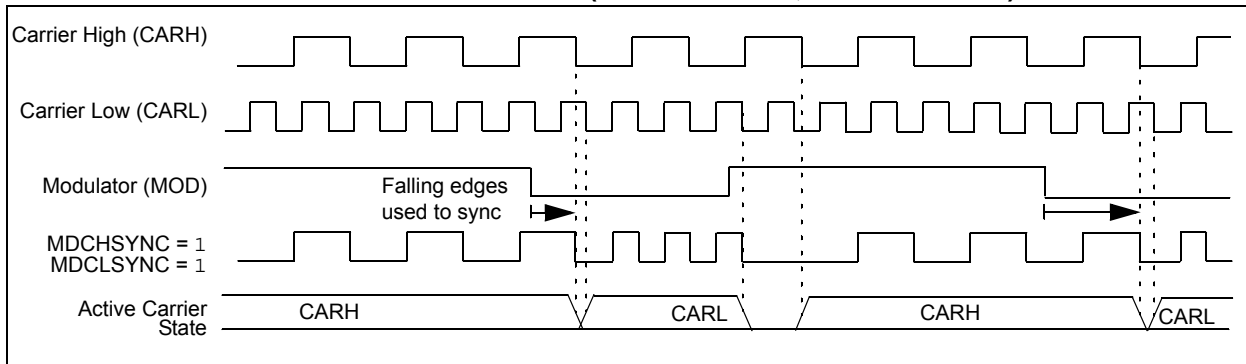


# PIC16(L)F18313/18323

**FIGURE 25-5: CARRIER LOW SYNCHRONIZATION (MDSHSYNC = 0, MDCLSYNC = 1)**



**FIGURE 25-6: FULL SYNCHRONIZATION (MDSHSYNC = 1, MDCLSYNC = 1)**



## 25.5 Carrier Source Polarity Select

The signal provided from any selected input source for the carrier high and carrier low signals can be inverted. Inverting the signal for the carrier high source is enabled by setting the MDCHPOL bit of the MDCARH register. Inverting the signal for the carrier low source is enabled by setting the MDCLPOL bit of the MDCARL register.

## 25.6 Programmable Modulator Data

The MDBIT of the MDCON register can be selected as the source for the modulator signal. This gives the user the ability to program the value used for modulation.

## 25.7 Modulated Output Polarity

The modulated output signal provided on the DSM pin can also be inverted. Inverting the modulated output signal is enabled by setting the MDOPOL bit of the MDCON register.

## 25.8 Slew Rate Control

The slew rate limitation on the output port pin can be disabled. The slew rate limitation can be removed by clearing the SLR bit of the SLRCON register associated with that pin. For example, clearing the slew rate limitation for pin RA5 would require clearing the SLRA5 bit of the SLRCONA register.

## 25.9 Operation in Sleep Mode

The DSM module is not affected by Sleep mode. The DSM can still operate during Sleep, if the Carrier and Modulator input sources are also still operable during Sleep.

## 25.10 Effects of a Reset

Upon any device Reset, the DSM module is disabled. The user's firmware is responsible for initializing the module before enabling the output. The registers are reset to their default values.

# PIC16(L)F18313/18323

## 25.11 Register Definitions: Modulation Control

### REGISTER 25-1: MDCON: MODULATION CONTROL REGISTER

R/W-0/0	U-0	U-0	R/W-0/0	R-0/0	U-0	U-0	R/W-0/0
MDEN	—	—	MDOPOL	MDOUT	—	—	MDBIT <sup>(2)</sup>
bit 7							bit 0

**Legend:**

R = Readable bit

W = Writable bit

U = Unimplemented bit, read as '0'

u = Bit is unchanged

x = Bit is unknown

-n/n = Value at POR and BOR/Value at all other Resets

'1' = Bit is set

'0' = Bit is cleared

- bit 7      **MDEN:** Modulator Module Enable bit  
1 = Modulator module is enabled and mixing input signals  
0 = Modulator module is disabled and has no output
- bit 6-5    **Unimplemented:** Read as '0'
- bit 4      **MDOPOL:** Modulator Output Polarity Select bit  
1 = Modulator output signal is inverted; idle high output  
0 = Modulator output signal is not inverted; idle low output
- bit 3      **MDOUT:** Modulator Output bit  
Displays the current output value of the modulator module.<sup>(1)</sup>
- bit 2-1    **Unimplemented:** Read as '0'
- bit 0      **MDBIT:** Allows software to manually set modulation source input to module<sup>(2)</sup>

**Note 1:** The modulated output frequency can be greater and asynchronous from the clock that updates this register bit, the bit value may not be valid for higher speed modulator or carrier signals.

**2:** MDBIT must be selected as the modulation source in the MDSRC register for this operation.

# PIC16(L)F18313/18323

## REGISTER 25-2: MDSRC: MODULATION SOURCE CONTROL REGISTER

U-0	U-0	U-0	U-0	R/W-x/u	R/W-x/u	R/W-x/u	R/W-x/u
—	—	—	—	MDMS<3:0>			
bit 7				bit 0			

### Legend:

R = Readable bit

W = Writable bit

U = Unimplemented bit, read as '0'

u = Bit is unchanged

x = Bit is unknown

-n/n = Value at POR and BOR/Value at all other Resets

'1' = Bit is set

'0' = Bit is cleared

bit 7-4

**Unimplemented:** Read as '0'

bit 3-0

**MDMS<3:0>** Modulation Source Selection bits

1111-1110 =Reserved. No channel connected.

1101 = CLC2 output

1100 = CLC1 output

1011 = NCO1 output

1010 = EUSART1 TX output

1000 = MSSP1 SDO1 output

0111 = C2 (Comparator 2) output<sup>(1)</sup>

0110 = C1 (Comparator 1) output

0101 = PWM6 output

0100 = PWM5 output

0011 = CCP2 output (PWM Output mode only)

0010 = CCP1 output (PWM Output mode only)

0001 = MDMINPPS

0000 = MDBIT bit of MDCON register is modulation source

**Note 1:** PIC16(L)F18323 only.

# PIC16(L)F18313/18323

## REGISTER 25-3: MDCARH: MODULATION HIGH CARRIER CONTROL REGISTER

U-0	R/W-x/u	R/W-x/u	U-0	R/W-x/u	R/W-x/u	R/W-x/u	R/W-x/u
—	MDCHPOL	MDCHSYNC	—	MDCH<3:0> <sup>(1)</sup>			
bit 7							bit 0

### Legend:

R = Readable bit	W = Writable bit	U = Unimplemented bit, read as '0'
u = Bit is unchanged	x = Bit is unknown	-n/n = Value at POR and BOR/Value at all other Resets
'1' = Bit is set	'0' = Bit is cleared	

- bit 7      **Unimplemented:** Read as '0'
- bit 6      **MDCHPOL:** Modulator High Carrier Polarity Select bit  
           1 = Selected high carrier signal is inverted  
           0 = Selected high carrier signal is not inverted
- bit 5      **MDCHSYNC:** Modulator High Carrier Synchronization Enable bit  
           1 = Modulator waits for a falling edge on the high time carrier signal before allowing a switch to the low time carrier  
           0 = Modulator output is not synchronized to the high time carrier signal<sup>(1)</sup>
- bit 4      **Unimplemented:** Read as '0'
- bit 3-0    **MDCH<3:0>** Modulator Data High Carrier Selection bits <sup>(1)</sup>  
           1111-1110 =Reserved. No channel connected  
           1101 = CLC2 output  
           1100 = CLC1 output  
           1011 = HFINTOSC  
           1010 = FOSC  
           1001 = Reserved. No channel connected.  
           1000 = NCO1 output  
           0111 = PWM6 output  
           0110 = PWM5 output  
           0101 = CCP2 output (PWM Output mode only)  
           0100 = CCP1 output (PWM Output mode only)  
           0011 = Reference clock module signal (CLKR)  
           0010 = MDCIN2PPS  
           0001 = MDCIN1PPS  
           0000 = Vss

**Note 1:** Narrowed carrier pulse widths or spurs may occur in the signal stream if the carrier is not synchronized.

# PIC16(L)F18313/18323

**REGISTER 25-4: MDCARL: MODULATION LOW CARRIER CONTROL REGISTER**

U-0	R/W-x/u	R/W-x/u	U-0	R/W-x/u	R/W-x/u	R/W-x/u	R/W-x/u
—	MDCLPOL	MDCLSYNC	—	MDCL<3:0> <sup>(1)</sup>			
bit 7							bit 0

**Legend:**

R = Readable bit	W = Writable bit	U = Unimplemented bit, read as '0'
u = Bit is unchanged	x = Bit is unknown	-n/n = Value at POR and BOR/Value at all other Resets
'1' = Bit is set	'0' = Bit is cleared	

- bit 7      **Unimplemented:** Read as '0'
- bit 6      **MDCLPOL:** Modulator Low Carrier Polarity Select bit
  - 1 = Selected low carrier signal is inverted
  - 0 = Selected low carrier signal is not inverted
- bit 5      **MDCLSYNC:** Modulator Low Carrier Synchronization Enable bit
  - 1 = Modulator waits for a falling edge on the low time carrier signal before allowing a switch to the high time carrier
  - 0 = Modulator output is not synchronized to the low time carrier signal<sup>(1)</sup>
- bit 4      **Unimplemented:** Read as '0'
- bit 3-0    **MDCL<3:0>:** Modulator Data High Carrier Selection bits <sup>(1)</sup>
  - 1111-1110 =Reserved. No channel connected
  - 1101 = CLC2 output
  - 1100 = CLC1 output
  - 1011 = HFINTOSC
  - 1010 = FOSC
  - 1001 = Reserved. No channel connected.
  - 1000 = NCO1 output
  - 0111 = PWM6 output
  - 0110 = PWM5 output
  - 0101 = CCP2 output (PWM Output mode only)
  - 0100 = CCP1 output (PWM Output mode only)
  - 0011 = Reference clock module signal (CLKR)
  - 0010 = MDCIN2PPS
  - 0001 = MDCIN1PPS
  - 0000 = Vss

**Note 1:** Narrowed carrier pulse widths or spurs may occur in the signal stream if the carrier is not synchronized.

# PIC16(L)F18313/18323

**TABLE 25-1: SUMMARY OF REGISTERS ASSOCIATED WITH DATA SIGNAL MODULATOR MODE**

Name	Bit 7	Bit 6	Bit 5	Bit 4	Bit 3	Bit 2	Bit 1	Bit 0	Register on Page
TRISA	—	—	TRISA5	TRISA4	— <sup>(2)</sup>	TRISA2	TRISA1	TRISA0	131
ANSELA	—	—	ANSA5	ANSA4	—	ANSA2	ANSA1	ANSA0	132
SLRCONA	—	—	SLRA5	SLRA4	—	SLRA2	SLRA1	SLRA0	134
INLVLA	—	—	INLVLA5	INLVLA4	INLVLA3	INLVLA2	INLVLA1	INLVLA0	134
TRISC <sup>(1)</sup>	—	—	TRISC5	TRISC4	TRISC3	TRISC2	TRISC1	TRISC0	138
ANSELC <sup>(1)</sup>	—	—	ANSC5	ANSC4	ANSC3	ANSC2	ANSC1	ANSC0	139
SLRCONC <sup>(1)</sup>	—	—	SLRC5	SLRC4	SLRC3	SLRC2	SLRC1	SLRC0	140
INLVLC <sup>(1)</sup>	—	—	INLVLC5	INLVLC4	INLVLC3	INLVLC2	INLVLC1	INLVLC0	141
MDCON	MDEN	—	—	MDOPOL	MDOOUT	—	—	MDBIT	252
MDSRC	—	—	—	—	MDMS<3:0>				253
MDCARH	—	MDCHPOL	MDCHSYNC	—	MDCH<3:0>				254
MDCARL	—	MDCLPOL	MDCLSYNC	—	MDCL<3:0>				255
MDCIN1PPS	—	—	—	MDCIN1PPS<4:0>				144	
MDCIN2PPS	—	—	—	MDCIN2PPS<4:0>				144	
MDMINPPS	—	—	—	MDMINPPS<4:0>				144	

**Legend:** — = unimplemented, read as '0'. Shaded cells are not used in the Data Signal Modulator mode.

**Note 1:** PIC16(L)F18323 only.

**2:** Unimplemented. Read as '1'.



## 26.0 TIMER0 MODULE

The Timer0 module is an 8/16-bit timer/counter with the following features:

- 16-bit timer/counter
- 8-bit timer/counter with programmable period
- Synchronous or asynchronous operation
- Selectable clock sources
- Programmable prescaler (independent of Watchdog Timer)
- Programmable postscaler
- Operation during Sleep mode
- Interrupt on match or overflow
- Output on I/O pin (via PPS) or to other peripherals

### 26.1 Timer0 Operation

Timer0 can operate as either an 8-bit timer/counter or a 16-bit timer/counter. The mode is selected with the T016BIT bit of the T0CON register.

When used with the FOSC/4 clock source, the module is a timer and increments on every instruction cycle. When used with any other clock source, the module can be used as either a timer or a counter and increments on every rising edge of the external source.

#### 26.1.1 16-BIT MODE

In normal operation, TMR0 increments on the rising edge of the clock source. A 15-bit prescaler on the clock input gives several prescale options (see prescaler control bits, T0CKPS<3:0> in the T0CON1 register).

##### 26.1.1.1 Timer0 Reads and Writes in 16-bit Mode

TMR0H is not the actual high byte of Timer0 in 16-bit mode. It is actually a buffered version of the real high byte of Timer0, which is neither directly readable nor writable (see [Figure 26-1](#)). TMR0H is updated with the contents of the high byte of Timer0 during a read of TMR0L. This provides the ability to read all 16 bits of Timer0 without having to verify that the read of the high and low byte was valid, due to a rollover between successive reads of the high and low byte.

Similarly, a write to the high byte of Timer0 must also take place through the TMR0H Buffer register. The high byte is updated with the contents of TMR0H when a write occurs to TMR0L. This allows all 16 bits of Timer0 to be updated at once.

#### 26.1.2 8-BIT MODE

In normal operation, TMR0 increments on the rising edge of the clock source. A 15-bit prescaler on the clock input gives several prescale options (see prescaler control bits, T0CKPS<3:0> in the T0CON1 register).

In 8-bit mode, TMR0H no longer functions as the Timer0 high byte, but instead functions as the Period Register (PR). The value of TMR0L is compared to that of TMR0H on each clock cycle. When the two values match, the following events happen:

- TMR0\_out goes high for one prescaled clock period
- TMR0L is reset
- The contents of TMR0H are copied to the period buffer

In 8-bit mode, the TMR0L and TMR0H registers are both directly readable and writable. The TMR0L register is cleared on any device Reset, while the TMR0H register initializes at FFh.

Both the prescaler and postscaler counters are cleared on the following events:

- A write to the TMR0L register
- A write to either the T0CON0 or T0CON1 registers.
- Any device Reset – Power-on Reset (POR), MCLR Reset, Watchdog Timer Reset (WDTR) or Brown-out Reset (BOR)

#### 26.1.3 COUNTER MODE

In Counter mode, the prescaler is normally disabled by setting the T0CKPS bits of the T0CON1 register to '0000'. Each rising edge of the clock input (or the output of the prescaler if the prescaler is used) increments the counter by '1'.

#### 26.1.4 TIMER MODE

In Timer mode, the Timer0 module will increment every instruction cycle as long as there is a valid clock signal and the T0CKPS bits of the T0CON1 register ([Register 26-4](#)) are set to '0000'. When a prescaler is added, the timer will increment at the rate based on the prescaler value.

#### 26.1.5 ASYNCHRONOUS MODE

When the T0ASYNC bit of the T0CON1 register is set (T0ASYNC = 1), the counter increments with each rising edge of the input source (or output of the prescaler, if used). Asynchronous mode allows the counter to continue operation during Sleep mode provided that the clock also continues to operate during Sleep.

# PIC16(L)F18313/18323

---

## 26.1.6 SYNCHRONOUS MODE

When the T0ASYNC bit of the T0CON1 register is clear (T0ASYNC = 0), the counter clock is synchronized to the system oscillator ( $F_{OSC}/4$ ). When operating in Synchronous mode, the counter clock frequency cannot exceed  $F_{OSC}/4$ .

## 26.2 Clock Source Selection

The T0CS<2:0> bits of the T0CON1 register are used to select the clock source for Timer0. [Register 26-4](#) displays the clock source selections.

### 26.2.1 INTERNAL CLOCK SOURCE

When the internal clock source is selected, Timer0 operates as a timer and will increment on multiples of the clock source, as determined by the Timer0 prescaler.

### 26.2.2 EXTERNAL CLOCK SOURCE

When an external clock source is selected, Timer0 can operate as either a timer or a counter. Timer0 will increment on multiples of the rising edge of the external clock source, as determined by the Timer0 prescaler.

## 26.3 Programmable Prescaler

A software programmable prescaler is available for exclusive use with Timer0. There are 16 prescaler options for Timer0 ranging in powers of two from 1:1 to 1:32768. The prescaler values are selected using the T0CKPS<3:0> bits of the T0CON1 register.

The prescaler is not directly readable or writable. Clearing the prescaler register can be done by writing to the TMR0L register, the T0CON0 register, or the T0CON1 register.

## 26.4 Programmable Postscaler

A software programmable postscaler (output divider) is available for exclusive use with Timer0. There are 16 postscaler options for Timer0 ranging from 1:1 to 1:16. The postscaler values are selected using the T0OUTPS<3:0> bits of the T0CON0 register.

The postscaler is not directly readable or writable. Clearing the postscaler register can be done by writing to the TMR0L register, the T0CON0 register, or the T0CON1 register.

## 26.5 Operation During Sleep

When operating synchronously, Timer0 will halt. When operating asynchronously, Timer0 will continue to increment and wake the device from Sleep (if Timer0 interrupts are enabled) provided that the input clock source is active.

## 26.6 Timer0 Interrupts

The Timer0 Interrupt Flag bit (TMR0IF) is set when either of the following conditions occur:

- 8-bit TMR0L matches the TMR0H value
- 16-bit TMR0 rolls over from FFFFh

When the postscaler bits (T0OUTPS<3:0>) are set to 1:1 operation (no division), the T0IF Flag bit will be set with every TMR0 match or rollover. In general, the TMR0IF Flag bit will be set every T0OUTPS + 1 matches or rollovers.

If Timer0 interrupts are enabled (TMR0IE bit of the PIE0 register = 1), the CPU will be interrupted and the device may wake from Sleep (see [Section 26.5 “Operation During Sleep”](#) for more details).

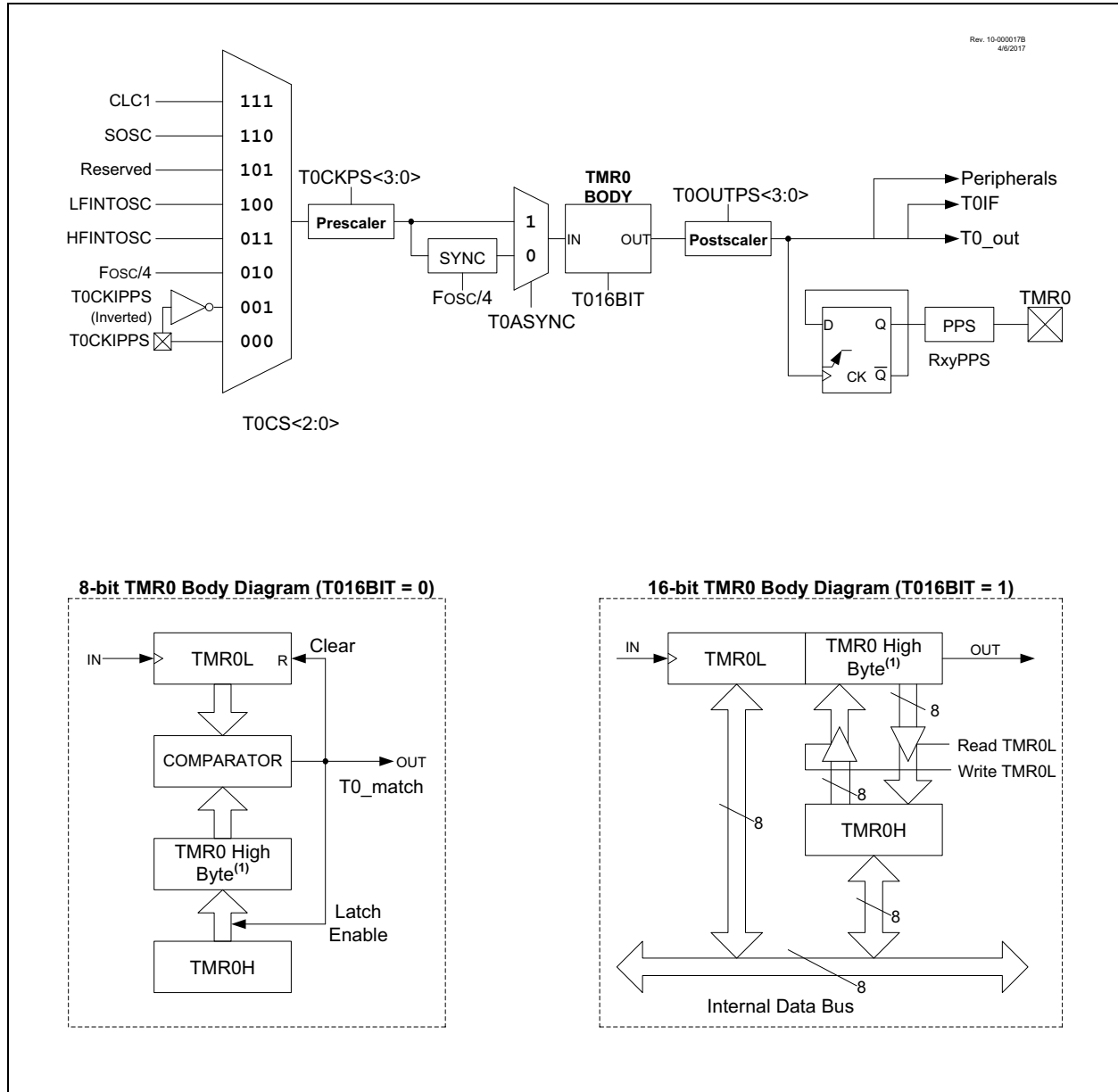
## 26.7 Timer0 Output

The Timer0 output can be routed to any I/O pin via the RxyPPS output selection register (see [Section 13.0 “Peripheral Pin Select \(PPS\) Module”](#) for additional information). The Timer0 output can also be used by other peripherals, such as the auto-conversion trigger of the Analog-to-Digital Converter. Finally, the Timer0 output can be monitored through software via the Timer0 Output bit (T0OUT) of the T0CON0 register ([Register 26-3](#)).

TMR0\_out will be one postscaled clock period when a match occurs between TMR0L and TMR0H in 8-bit mode, or when TMR0 rolls over in 16-bit mode. When a match condition occurs, the Timer0 output will toggle every T0OUTPS + 1 match. The total Timer0 period takes two match events to occur, and creates a 50% duty cycle output.

# PIC16(L)F18313/18323

**FIGURE 26-1: BLOCK DIAGRAM OF TIMER0**



# PIC16(L)F18313/18323

## 26.8 Register Definitions: Timer0 Register

### REGISTER 26-1: TMR0L: TIMER0 COUNT REGISTER

R/W-0/0	R/W-0/0	R/W-0/0	R/W-0/0	R/W-0/0	R/W-0/0	R/W-0/0	R/W-0/0
TMR0L<7:0>							
bit 7							bit 0

**Legend:**

R = Readable bit	W = Writable bit	U = Unimplemented bit, read as '0'
u = Bit is unchanged	x = Bit is unknown	-n/n = Value at POR and BOR/Value at all other Resets
'1' = Bit is set	'0' = Bit is cleared	

bit 7-0      **TMR0L<7:0>**:TMR0 Counter bits 7..0

### REGISTER 26-2: TMR0H: TIMER0 PERIOD REGISTER

R/W-1/1	R/W-1/1	R/W-1/1	R/W-1/1	R/W-1/1	R/W-1/1	R/W-1/1	R/W-1/1
TMR0H<7:0> or TMR0<15:8>							
bit 7							bit 0

**Legend:**

R = Readable bit	W = Writable bit	U = Unimplemented bit, read as '0'
u = Bit is unchanged	x = Bit is unknown	-n/n = Value at POR and BOR/Value at all other Resets
'1' = Bit is set	'0' = Bit is cleared	

bit 7-0      When T016BIT = 0  
**TMR0H<7:0>**:TMR0 Period Register Bits 7..0  
When T016BIT = 1  
**TMR0<15:8>**: TMR0 Counter bits 15..8

# PIC16(L)F18313/18323

**REGISTER 26-3: T0CON0: TIMER0 CONTROL REGISTER 0**

R/W-0/0	U-0	R-0	R/W-0/0	R/W-0/0	R/W-0/0	R/W-0/0	R/W-0/0	
T0EN	—	T0OUT	T016BIT	T0OUTPS<3:0>				
bit 7								bit 0

**Legend:**

R = Readable bit	W = Writable bit	U = Unimplemented bit, read as '0'
u = Bit is unchanged	x = Bit is unknown	-n/n = Value at POR and BOR/Value at all other Resets
'1' = Bit is set	'0' = Bit is cleared	

- bit 7      **T0EN:** TMR0 Enable bit  
           1 = The module is enabled and operating  
           0 = The module is disabled and in the lowest power mode
- bit 6      **Unimplemented:** Read as '0'
- bit 5      **T0OUT:** TMR0 Output (read-only)  
           TMR0 output bit
- bit 4      **T016BIT:** TMR0 Operating as 16-bit Timer Select bit  
           1 = TMR0 is a 16-bit timer  
           0 = TMR0 is an 8-bit timer
- bit 3-0    **T0OUTPS<3:0>:** TMR0 Output Postscaler (divider) Select bits  
           0000 = 1:1 Postscaler  
           0001 = 1:2 Postscaler  
           0010 = 1:3 Postscaler  
           0011 = 1:4 Postscaler  
           0100 = 1:5 Postscaler  
           0101 = 1:6 Postscaler  
           0110 = 1:7 Postscaler  
           0111 = 1:8 Postscaler  
           1000 = 1:9 Postscaler  
           1001 = 1:10 Postscaler  
           1010 = 1:11 Postscaler  
           1011 = 1:12 Postscaler  
           1100 = 1:13 Postscaler  
           1101 = 1:14 Postscaler  
           1110 = 1:15 Postscaler  
           1111 = 1:16 Postscaler

# PIC16(L)F18313/18323

## REGISTER 26-4: T0CON1: TIMER0 CONTROL REGISTER 1

R/W-0/0	R/W-0/0	R/W-0/0	R/W-0/0	R/W-0/0	R/W-0/0	R/W-0/0	R/W-0/0	
T0CS<2:0>			T0ASYNC	T0CKPS<3:0>				
bit 7								bit 0

### Legend:

R = Readable bit	W = Writable bit	U = Unimplemented bit, read as '0'
u = Bit is unchanged	x = Bit is unknown	-n/n = Value at POR and BOR/Value at all other Resets
'1' = Bit is set	'0' = Bit is cleared	

bit 7-5 **T0CS<2:0>**: Timer0 Clock Source Select bits

- 000 = T0CKIPPS (True)
- 001 = T0CKIPPS (Inverted)
- 010 = Fosc/4
- 011 = HFINTOSC
- 100 = LFINTOSC
- 101 = Reserved
- 110 = SOSC
- 111 = CLC1

bit 4 **T0ASYNC**: TMR0 Input Asynchronization Enable bit

- 1 = The input to the TMR0 counter is not synchronized to system clocks
- 0 = The input to the TMR0 counter is synchronized to Fosc/4

bit 3-0 **T0CKPS<3:0>**: Prescaler Rate Select bit

- 0000 = 1:1
- 0001 = 1:2
- 0010 = 1:4
- 0011 = 1:8
- 0100 = 1:16
- 0101 = 1:32
- 0110 = 1:64
- 0111 = 1:128
- 1000 = 1:256
- 1001 = 1:512
- 1010 = 1:1024
- 1011 = 1:2048
- 1100 = 1:4096
- 1101 = 1:8192
- 1110 = 1:16384
- 1111 = 1:32768

# PIC16(L)F18313/18323

**TABLE 26-1: SUMMARY OF REGISTERS ASSOCIATED WITH TIMER0**

Name	Bit 7	Bit 6	Bit 5	Bit 4	Bit 3	Bit 2	Bit 1	Bit 0	Register on Page
TRISA	—	—	TRISA5	TRISA4	— <sup>(2)</sup>	TRISA2	TRISA1	TRISA0	131
ANSELA	—	—	ANSA5	ANSA4	—	ANSA2	ANSA1	ANSA0	132
TRISC <sup>(1)</sup>	—	—	TRISC5	TRISC4	TRISC3	TRISC2	TRISC1	TRISC0	138
ANSELC <sup>(1)</sup>	—	—	ANSC5	ANSC4	ANSC3	ANSC2	ANSC1	ANSC0	139
TMR0L	TMR0L<7:0>								260
TMR0H	TMR0H<7:0> or TMR0<15:8>								260
T0CON0	T0EN	—	T0OUT	T016BIT	T0OUTPS<3:0>				261
T0CON1	T0CS<2:0>			T0ASYNC	T0CKPS<3:0>				262
T0CKIPPS	—	—	—	T0CKIPPS<4:0>				144	
TMR0PPS	—	—	—	TMR0PPS<4:0>				144	
ADACT	—	—	—	ADACT<4:0>				227	
CLCxSELY	—	—	LCxDyS<5:0>				210		
T1GCON	TMR1GE	T1GPOL	T1GTM	T1GSPM	T1GGO/DONE	T1GVAL	T1GSS<1:0>		274
INTCON	GIE	PEIE	—	—	—	—	—	INTEDG	89
PIR0	—	—	TMR0IF	IOCIF	—	—	—	INTF	95
PIE0	—	—	TMR0IE	IOCIE	—	—	—	INTE	90

**Legend:** — = Unimplemented location, read as '0'. Shaded cells are not used by the Timer0 module.

**Note 1:** PIC16(L)F18323 only.

**2:** Unimplemented, read as '1'.

# PIC16(L)F18313/18323

---

## 27.0 TIMER1 MODULE WITH GATE CONTROL

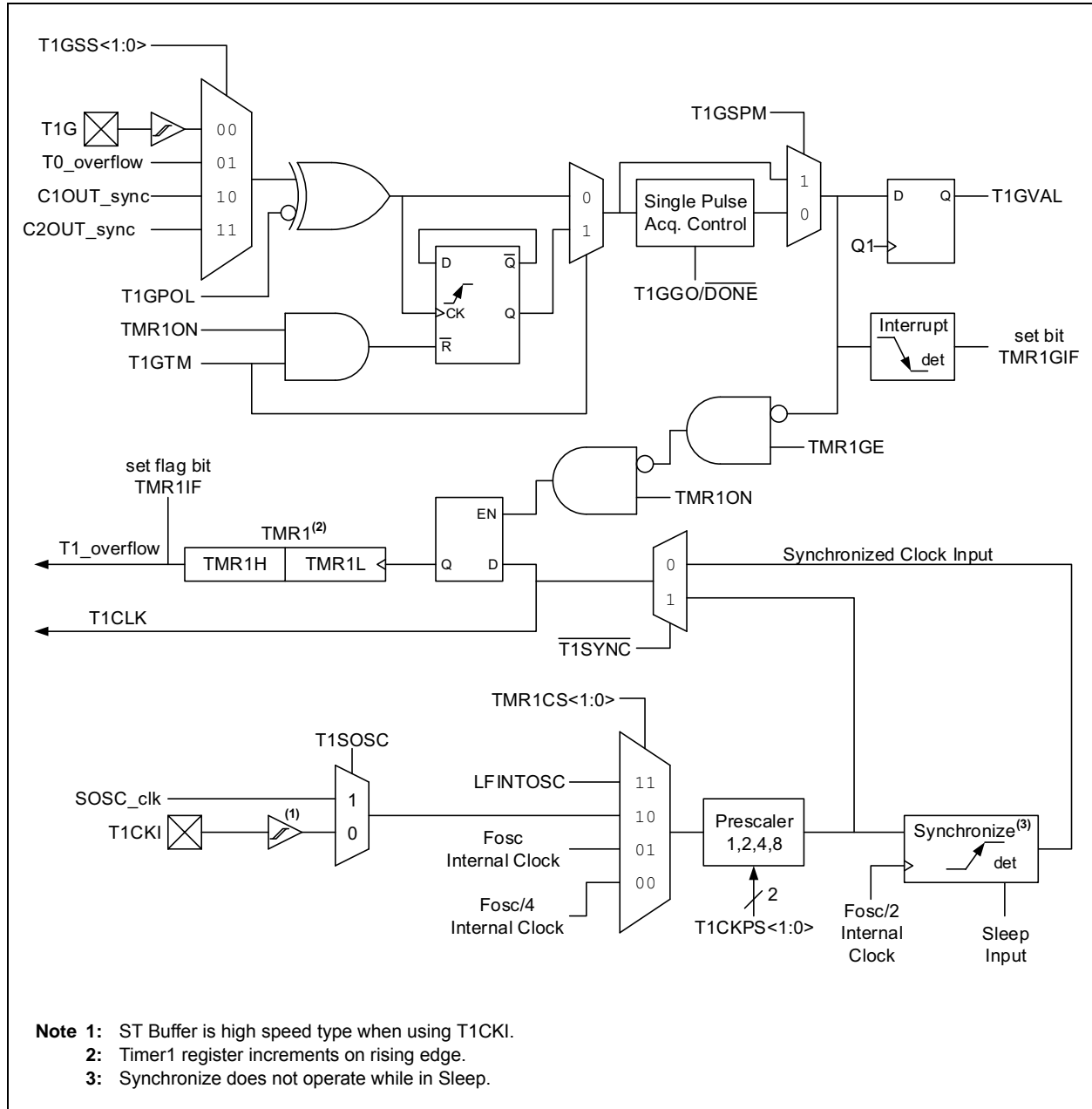
Timer1 module is a 16-bit timer/counter, with the following features:

- 16-bit timer/counter register pair (TMR1H:TMR1L)
- Programmable internal or external clock source
- 2-bit prescaler
- Clock source for optional comparator synchronization
- Multiple Timer1 gate (count enable) sources
- Interrupt on overflow
- Wake-up on overflow (external clock, Asynchronous mode only)
- Time base for the Capture/Compare function with the CCP modules
- Auto-Conversion Trigger (with CCP)
- Selectable Gate Source Polarity
- Gate Toggle mode
- Gate Single-Pulse mode
- Gate Value Status
- Gate Event Interrupt

[Figure 27-1](#) is a block diagram of the Timer1 module.



**FIGURE 27-1: TIMER1 BLOCK DIAGRAM**



# PIC16(L)F18313/18323

## 27.1 Timer1 Operation

The Timer1 module is a 16-bit incrementing timer which is accessed through the TMR1H:TMR1L register pair. Writes to TMR1H or TMR1L directly update the timer.

The module can be used with either internal or external clock sources, and has the Timer1 Gate Enable function. When Timer1 is used with the Timer1 Gate Enable, the timer can measure time intervals or count signal pulses between two points of interest. When used without the Timer1 Gate Enable, the timer simply measures time intervals.

Timer1 is enabled by configuring the TMR1ON and TMR1GE bits in the T1CON and T1GCON registers, respectively. [Table 27-1](#) displays the Timer1 enable selections.

**TABLE 27-1: TIMER1 ENABLE SELECTIONS**

TMR1ON	TMR1GE	Timer1 Operation
0	0	Off
0	1	Off
1	0	Always On
1	1	Count Enabled

## 27.2 Clock Source Selection

The TMR1CS<1:0> and T1OSC bits of the T1CON register are used to select the clock source for Timer1. [Table 27-2](#) displays the clock source selections. The TMR1H:TMR1L register pair will increment on multiples of the clock source as determined by the Timer1 prescaler.

When either the FOSC or LFINTOSC clock source is selected, the TMR1H:TMR1L register pair will increment every rising clock edge. Reading from the TMR1H:TMR1L register pair when either the FOSC or LFINTOSC is the clock source will cause a 2 Lsb loss in resolution, which can be mitigated by using an asynchronous input signal to gate the Timer1 clock input (see [Section 26.5 “Operation During Sleep”](#) for more information on the Timer1 Gate Enable).

When the FOSC/4 clock source is selected, the TMR1H:TMR1L register pair increments every instruction cycle (once every four FOSC pulses).

In addition to the internal clock sources, Timer1 has a dedicated external clock input pin, T1CKI. T1CKI can be either synchronized to the system clock or can run asynchronously via the T1SYNC bit of the T1CON register. When the T1CKI pin is used as the clock source, the TMR1H:TMR1L register pair increments on the rising edge of the T1CKI clock input.

**Note:** When using Timer1 to count events, a falling edge must be registered by the counter prior to the first incrementing rising edge after any one or more of the following conditions:

- Timer1 enabled after POR
- Write to TMR1H or TMR1L
- Timer1 is disabled
- Timer1 is disabled (TMR1ON = 0) when T1CKI is high then Timer1 is enabled (TMR1ON=1) when T1CKI is low.

**TABLE 27-2: CLOCK SOURCE SELECTIONS**

TMR1CS<1:0>	Clock Source
11	LFINTOSC
10	External Clocking on T1CKI Pin
01	System Clock (Fosc)
00	Instruction Clock (Fosc/4)

## 27.2.1 TIMER1 (SECONDARY) OSCILLATOR

A dedicated low-power 32.768 kHz oscillator circuit is built-in between pins SOSC1 (input) and SOSCO (amplifier output). This internal circuit is designed to be used in conjunction with an external 32.768 kHz crystal. The oscillator circuit is enabled by setting the T1SOSC bit of the T1CON register. The oscillator will continue to run during Sleep.

**Note:** The oscillator requires a start-up and stabilization time before use. Thus, T1SOSC should be set and a suitable delay observed prior to using Timer1. A suitable delay similar to the OST delay can be implemented in software by clearing the TMR1IF bit then presetting the TMR1H:TMR1L register pair to FC00h. The TMR1IF flag will be set when 1024 clock cycles have elapsed, thereby indicating that the oscillator is running and reasonably stable.

## 27.3 Timer1 Prescaler

Timer1 has four prescaler options allowing 1, 2, 4 or 8 divisions of the clock input. The T1CKPS bits of the T1CON register control the prescale counter. The prescale counter is not directly readable or writable; however, the prescaler counter is cleared upon a write to TMR1H or TMR1L.

## 27.4 Timer1 Operation in Asynchronous Mode

If the control bit T1SYNC of the T1CON register is set, the external clock input is not synchronized. The timer increments asynchronously to the internal phase clocks. If the external clock source is selected then the timer will continue to run during Sleep and can generate an interrupt on overflow, which will wake-up the processor. However, special precautions in software are needed to read/write the timer (see [Section 27.4.1 “Reading and Writing Timer1 in Asynchronous Mode”](#)).

**Note:** When switching from synchronous to asynchronous operation, it is possible to skip an increment. When switching from asynchronous to synchronous operation, it is possible to produce an additional increment.

## 27.4.1 READING AND WRITING TIMER1 IN ASYNCHRONOUS MODE

Reading TMR1H or TMR1L while the timer is running from an external asynchronous clock will ensure a valid read (taken care of in hardware). However, the user should keep in mind that reading the 16-bit timer in two 8-bit values itself, poses certain problems, since the timer may overflow between the reads.

For writes, it is recommended that the user simply stop the timer and write the desired values. A write contention may occur by writing to the timer registers, while the register is incrementing. This may produce an unpredictable value in the TMR1H:TMR1L register pair.

## 27.5 Timer1 Gate

Timer1 can be configured to count freely or the count can be enabled and disabled using Timer1 gate circuitry. This is also referred to as Timer1 Gate Enable.

Timer1 gate can also be driven by multiple selectable sources.

### 27.5.1 TIMER1 GATE ENABLE

The Timer1 Gate Enable mode is enabled by setting the TMR1GE bit of the T1GCON register. The polarity of the Timer1 Gate Enable mode is configured using the T1GPOL bit of the T1GCON register.

When Timer1 Gate Enable mode is enabled, Timer1 will increment on the rising edge of the Timer1 clock source. When Timer1 Gate Enable mode is disabled, no incrementing will occur and Timer1 will hold the current count. See [Figure 27-3](#) for timing details.

**TABLE 27-3: TIMER1 GATE ENABLE SELECTIONS**

T1CLK	T1GPOL	T1G	Timer1 Operation
↑	0	0	Counts
↑	0	1	Holds Count
↑	1	0	Holds Count
↑	1	1	Counts

# PIC16(L)F18313/18323

## 27.5.2 TIMER1 GATE SOURCE SELECTION

Timer1 gate source selections are shown in [Table 27-4](#). Source selection is controlled by the T1GSS bits of the T1GCON register. The polarity of the selected input is configurable. Polarity selection is controlled by the T1GPOL bit of the T1GCON register.

**TABLE 27-4: TIMER1 GATE SOURCES**

T1GSS	Timer1 Gate Source
00	Timer1 Gate Pin
01	Overflow of Timer0 (TMR0 increments from FFh to 00h)
10	Comparator 1 Output (optionally Timer1 synchronized output)
11	Comparator 2 Output (optionally Timer1 synchronized output)

### 27.5.2.1 T1G Pin Gate Operation

The T1G pin is one source for Timer1 gate control. It can be used to supply an external source to the Timer1 gate circuitry.

### 27.5.2.2 Timer0 Overflow Gate Operation

When Timer0 increments from FFh to 00h, a low-to-high pulse will automatically be generated and internally supplied to the Timer1 gate circuitry.

### 27.5.2.3 Comparator C1 Gate Operation

The output resulting from a Comparator 1 operation can be selected as a source for Timer1 gate control. The Comparator 1 output can be synchronized to the Timer1 clock or left asynchronous. For more information see [Section 18.4.1 “Comparator Output Synchronization”](#).

### 27.5.2.4 Comparator C2 Gate Operation

The output resulting from a Comparator 2 operation can be selected as a source for Timer1 gate control. The Comparator 2 output can be synchronized to the Timer1 clock or left asynchronous. For more information see [Section 18.4.1 “Comparator Output Synchronization”](#).

## 27.5.3 TIMER1 GATE TOGGLE MODE

When Timer1 Gate Toggle mode is enabled, it is possible to measure the full period of a Timer1 gate signal, as opposed to the duration of a single pulse.

The Timer1 gate source is routed through a flip-flop that changes state on every incrementing edge of the signal. See [Figure 27-4](#) for timing details.

Timer1 Gate Toggle mode is enabled by setting the T1GTM bit of the T1GCON register. When the T1GTM bit is cleared, the flip-flop is cleared and held clear. This is necessary in order to control which edge is measured.

**Note:** Enabling Toggle mode at the same time as changing the gate polarity may result in indeterminate operation.

## 27.5.4 TIMER1 GATE SINGLE-PULSE MODE

When Timer1 Gate Single-Pulse mode is enabled, it is possible to capture a single-pulse gate event. Timer1 Gate Single-Pulse mode is first enabled by setting the T1GSPM bit in the T1GCON register. Next, the T1GGO/DONE bit in the T1GCON register must be set. The Timer1 will be fully enabled on the next incrementing edge of the Timer1 gate signal. On the next trailing edge of the Timer1 gate signal, the T1GGO/DONE bit will automatically be cleared. No other gate events will be allowed to increment Timer1 until the T1GGO/DONE bit is once again set in software. See [Figure 27-5](#) for timing details.

If the Single-Pulse Gate mode is disabled by clearing the T1GSPM bit in the T1GCON register, the T1GGO/DONE bit should also be cleared.

Enabling the Toggle mode and the Single-Pulse mode simultaneously will permit both sections to work together. This allows the period of the Timer1 gate source to be measured. See [Figure 27-6](#) for timing details.

## 27.5.5 TIMER1 GATE VALUE STATUS

When Timer1 Gate Value Status is utilized, it is possible to read the most current level of the gate control value. The value is stored in the T1GVAL bit in the T1GCON register. The T1GVAL bit is valid even when the Timer1 gate is not enabled (TMR1GE bit is cleared).

## 27.6 Timer1 Interrupt

The Timer1 register pair (TMR1H:TMR1L) increments to FFFFh and rolls over to 0000h. When Timer1 rolls over, the Timer1 interrupt flag bit of the PIR1 register is set. To enable the interrupt on rollover, you must set these bits:

- TMR1ON bit of the T1CON register
- TMR1IE bit of the PIE1 register
- PEIE bit of the INTCON register
- GIE bit of the INTCON register

The interrupt is cleared by clearing the TMR1IF bit in the Interrupt Service Routine.

<b>Note:</b> The TMR1H:TMR1L register pair and the TMR1IF bit should be cleared before enabling interrupts.
-------------------------------------------------------------------------------------------------------------

### 27.6.1 TIMER1 GATE EVENT INTERRUPT

When Timer1 Gate Event Interrupt is enabled, it is possible to generate an interrupt upon the completion of a gate event. When the falling edge of T1GVAL occurs, the TMR1GIF flag bit in the PIR1 register will be set. If the TMR1GIE bit in the PIE1 register is set, then an interrupt will be recognized.

The TMR1GIF flag bit operates even when the Timer1 gate is not enabled (TMR1GE bit is cleared).

## 27.7 Timer1 Operation During Sleep

Timer1 can only operate during Sleep when setup in Asynchronous mode. In this mode, an external crystal or clock source can be used to increment the timer. To set up the timer to wake the device:

- TMR1ON bit of the T1CON register must be set
- TMR1IE bit of the PIE1 register must be set
- PEIE bit of the INTCON register must be set
- $\overline{T1SYNC}$  bit of the T1CON register must be set
- TMR1CS bits of the T1CON register must be configured
- T1SOSC bit of the T1CON register must be configured

The device will wake-up on an overflow and execute the next instructions. If the GIE bit of the INTCON register is set, the device will call the Interrupt Service Routine.

Secondary oscillator will continue to operate in Sleep regardless of the  $\overline{T1SYNC}$  bit setting.

## 27.8 CCP Capture/Compare Time Base

The CCP modules use the TMR1H:TMR1L register pair as the time base when operating in Capture or Compare mode.

In Capture mode, the value in the TMR1H:TMR1L register pair is copied into the CCPR1H:CCPR1L register pair on a configured event.

In Compare mode, an event is triggered when the value CCPR1H:CCPR1L register pair matches the value in the TMR1H:TMR1L register pair. This event can be an Auto-conversion Trigger.

For more information, see [Section 29.0 “Capture/Compare/PWM Modules”](#).

## 27.9 CCP Auto-Conversion Trigger

When any of the CCP's are configured to trigger an auto-conversion, the trigger will clear the TMR1H:TMR1L register pair. This auto-conversion does not cause a Timer1 interrupt. The CCP module may still be configured to generate a CCP interrupt.

In this mode of operation, the CCPR1H:CCPR1L register pair becomes the period register for Timer1.

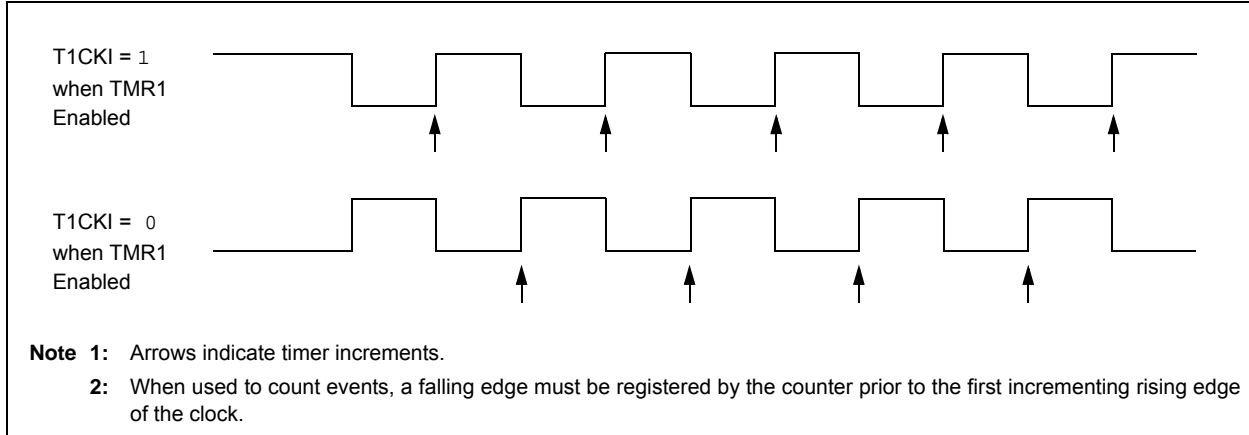
Timer1 should be synchronized and FOSC/4 should be selected as the clock source in order to utilize the Auto-conversion Trigger. Asynchronous operation of Timer1 can cause an Auto-conversion Trigger to be missed.

In the event that a write to TMR1H or TMR1L coincides with an Auto-conversion Trigger from the CCP, the write will take precedence.

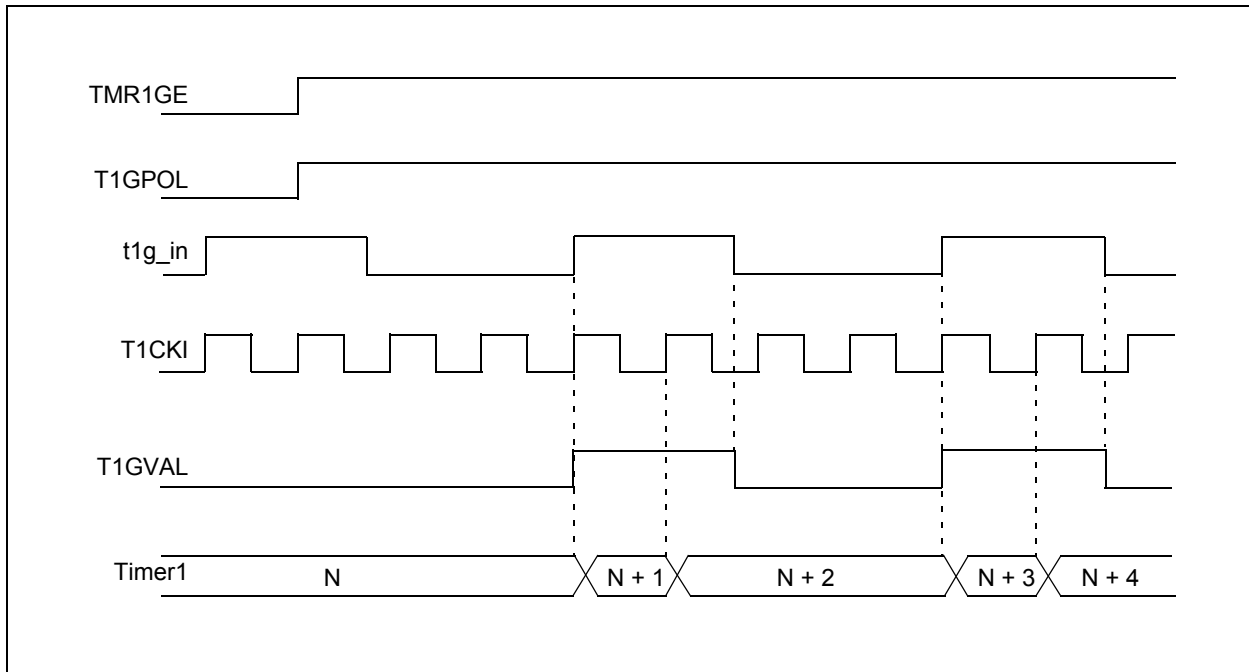
For more information, see [Section 29.2.3 “Auto-Conversion Trigger”](#).

# PIC16(L)F18313/18323

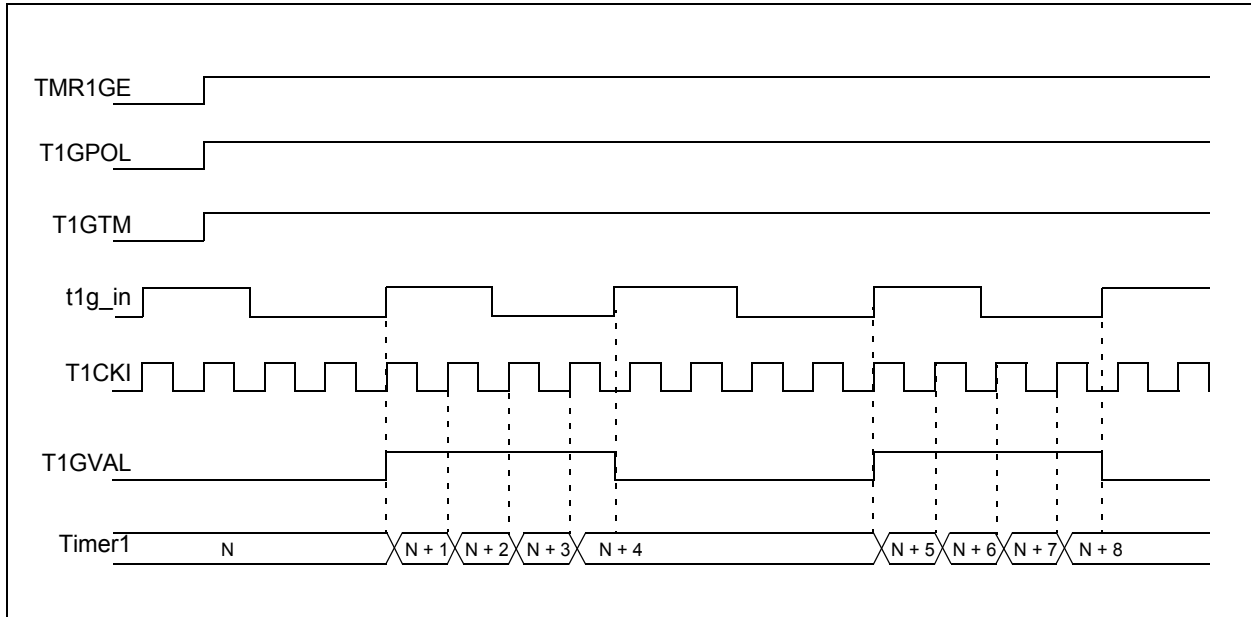
**FIGURE 27-2: TIMER1 INCREMENTING EDGE**



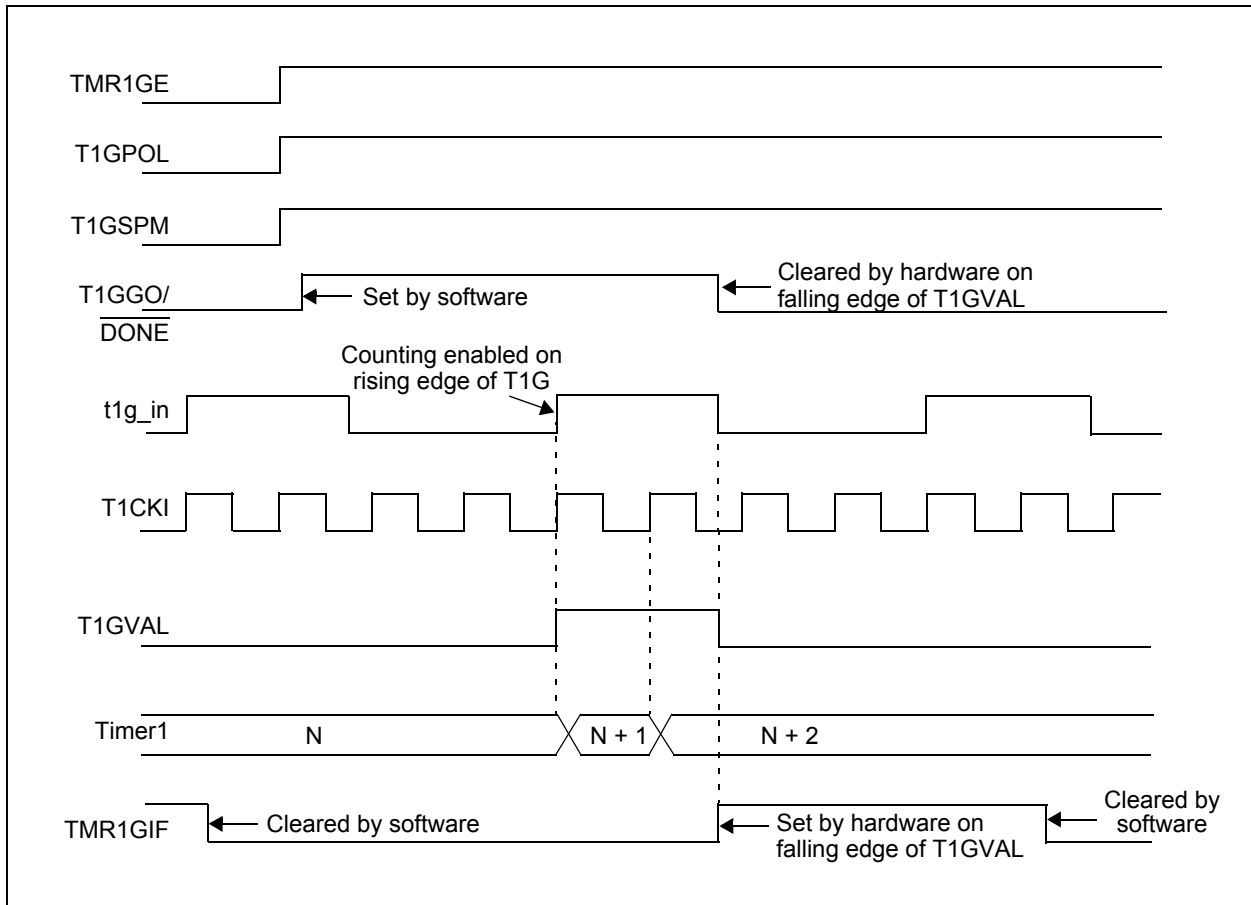
**FIGURE 27-3: TIMER1 GATE ENABLE MODE**



**FIGURE 27-4: TIMER1 GATE TOGGLE MODE**

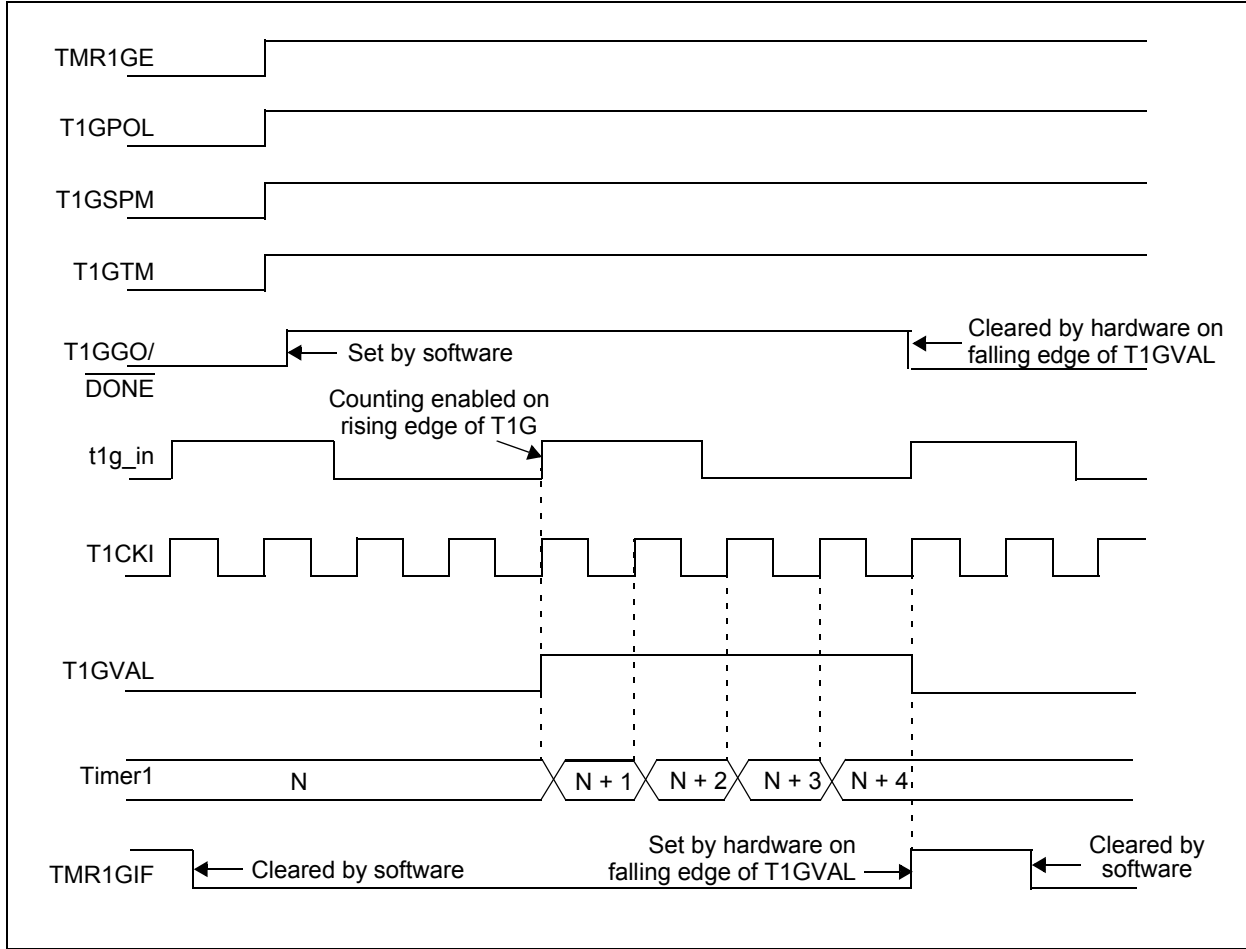


**FIGURE 27-5: TIMER1 GATE SINGLE-PULSE MODE**



# PIC16(L)F18313/18323

**FIGURE 27-6: TIMER1 GATE SINGLE-PULSE AND TOGGLE COMBINED MODE**





## 27.10 Register Definitions: Timer1 Control

### REGISTER 27-1: T1CON: TIMER1 CONTROL REGISTER

R/W-0/u	R/W-0/u	R/W-0/u	R/W-0/u	R/W-0/u	R/W-0/u	U-0	R/W-0/u
TMR1CS<1:0>		T1CKPS<1:0>		T1SOSC	$\overline{T1SYNC}$	—	TMR1ON
bit 7							bit 0

#### Legend:

R = Readable bit	W = Writable bit	U = Unimplemented bit, read as '0'
u = Bit is unchanged	x = Bit is unknown	-n/n = Value at POR and BOR/Value at all other Resets
'1' = Bit is set	'0' = Bit is cleared	

- bit 7-6     **TMR1CS<1:0>**: Timer1 Clock Source Select bits  
 11 = Timer1 clock Source is LFINTOSC  
 10 = Timer1 clock source is pin or oscillator:  
     If T1SOSC = 0:  
     External clock from T1CKIPPS pin (on the rising edge)  
     If T1SOSC = 1:  
     Clock from SOSC, either crystal oscillator on T1SOSCI/T1SOSCO pins, or SOSCIN input  
 01 = Timer1 clock source is system clock (FOSC)  
 00 = Timer1 clock source is instruction clock (FOSC/4)
- bit 5-4     **T1CKPS<1:0>**: Timer1 Input Clock Prescale Select bits  
 11 = 1:8 Prescale value  
 10 = 1:4 Prescale value  
 01 = 1:2 Prescale value  
 00 = 1:1 Prescale value
- bit 3       **T1SOSC**: LP Oscillator Enable Control bit  
 1 = SOSC requested as the clock source  
 0 = T1CKI enabled as the clock source
- bit 2        **$\overline{T1SYNC}$** : Timer1 Synchronization Control bit  
**TMR1CS<1:0> = 1x**  
 1 = Do not synchronize external clock input  
 0 = Synchronize external clock input with system clock  
**TMR1CS<1:0> = 0x**  
 This bit is ignored. Timer1 uses the internal clock and no additional synchronization is performed.
- bit 1       **Unimplemented**: Read as '0'
- bit 0       **TMR1ON**: Timer1 On bit  
 1 = Enables Timer1  
 0 = Stops Timer1 and clears Timer1 gate flip-flop

# PIC16(L)F18313/18323

## REGISTER 27-2: T1GCON: TIMER1 GATE CONTROL REGISTER

R/W-0/u	R/W-0/u	R/W-0/u	R/W-0/u	R/W/HC-0/u	R-x/x	R/W-0/u	R/W-0/u
TMR1GE	T1GPOL	T1GTM	T1GSPM	T1GGO/DONE	T1GVAL	T1GSS<1:0>	
bit 7							bit 0

### Legend:

R = Readable bit	W = Writable bit	U = Unimplemented bit, read as '0'
u = Bit is unchanged	x = Bit is unknown	-n/n = Value at POR and BOR/Value at all other Resets
'1' = Bit is set	'0' = Bit is cleared	HC = Bit is cleared by hardware

- bit 7      **TMR1GE:** Timer1 Gate Enable bit  
If TMR1ON = 0:  
This bit is ignored  
If TMR1ON = 1:  
1 = Timer1 counting is controlled by the Timer1 gate function  
0 = Timer1 is always counting
- bit 6      **T1GPOL:** Timer1 Gate Polarity bit  
1 = Timer1 gate is active-high (Timer1 counts when gate is high)  
0 = Timer1 gate is active-low (Timer1 counts when gate is low)
- bit 5      **T1GTM:** Timer1 Gate Toggle Mode bit  
1 = Timer1 Gate Toggle mode is enabled  
0 = Timer1 Gate Toggle mode is disabled and toggle flip-flop is cleared  
Timer1 gate flip-flop toggles on every rising edge.
- bit 4      **T1GSPM:** Timer1 Gate Single-Pulse Mode bit  
1 = Timer1 Gate Single-Pulse mode is enabled and is controlling Timer1 gate  
0 = Timer1 Gate Single-Pulse mode is disabled
- bit 3      **T1GGO/DONE:** Timer1 Gate Single-Pulse Acquisition Status bit  
1 = Timer1 gate single-pulse acquisition is ready, waiting for an edge  
0 = Timer1 gate single-pulse acquisition has completed or has not been started  
This bit is automatically cleared when T1GSPM is cleared
- bit 2      **T1GVAL:** Timer1 Gate Value Status bit (read-only)  
Indicates the current state of the Timer1 gate, latched at Q1, provided to TMR1H:TMR1L  
Unaffected by Timer1 Gate Enable (TMR1GE)
- bit 1-0    **T1GSS<1:0>:** Timer1 Gate Source Select bits  
11 = Comparator 2 optionally synchronized output<sup>(1)</sup>  
10 = Comparator 1 optionally synchronized output  
01 = Timer0 overflow output  
00 = Timer1 gate pin

**Note 1:** PIC16(L)F18323 only; otherwise Reserved - do not use.

## REGISTER 27-3: TMR1L: TIMER1 LOW BYTE REGISTER

R/W-x/u	R/W-x/u	R/W-x/u	R/W-x/u	R/W-x/u	R/W-x/u	R/W-x/u	R/W-x/u
TMR1L<7:0>							
bit 7							bit 0

### Legend:

R = Readable bit	W = Writable bit	U = Unimplemented bit, read as '0'
u = Bit is unchanged	x = Bit is unknown	-n/n = Value at POR and BOR/Value at all other Resets
'1' = Bit is set	'0' = Bit is cleared	

bit 7-0      **TMR1L<7:0>**: TMR1 Low Byte bits

## REGISTER 27-4: TMR1H: TIMER1 HIGH BYTE REGISTER

R/W-x/u	R/W-x/u	R/W-x/u	R/W-x/u	R/W-x/u	R/W-x/u	R/W-x/u	R/W-x/u
TMR1H<7:0>							
bit 7							bit 0

### Legend:

R = Readable bit	W = Writable bit	U = Unimplemented bit, read as '0'
u = Bit is unchanged	x = Bit is unknown	-n/n = Value at POR and BOR/Value at all other Resets
'1' = Bit is set	'0' = Bit is cleared	

bit 7-0      **TMR1H<7:0>**: TMR1 High Byte bits

# PIC16(L)F18313/18323

**TABLE 27-5: SUMMARY OF REGISTERS ASSOCIATED WITH TIMER1**

Name	Bit 7	Bit 6	Bit 5	Bit 4	Bit 3	Bit 2	Bit 1	Bit 0	Register on Page
TRISA	—	—	TRISA5	TRISA4	— <sup>(2)</sup>	TRISA2	TRISA1	TRISA0	131
ANSELA	—	—	ANSA5	ANSA4	—	ANSA2	ANSA1	ANSA0	132
TRISC <sup>(1)</sup>	—	—	TRISC5	TRISC4	TRISC3	TRISC2	TRISC1	TRISC0	138
ANSELC <sup>(1)</sup>	—	—	ANSC5	ANSC4	ANSC3	ANSC2	ANSC1	ANSC0	139
INTCON	GIE	PEIE	—	—	—	—	—	INTEDG	89
PIR1	TMR1GIF	ADIF	RCIF	TXIF	SSP1IF	BCL1IF	TMR2IF	TMR1IF	96
PIE1	TMR1GIE	ADIE	RCIE	TXIE	SSP1IE	BCL1IE	TMR2IE	TMR1IE	91
PIR3	OSFIF	CSWIF	—	—	—	—	CLC2IF	CLC1IF	98
PIE3	OSFIE	CSWIE	—	—	—	—	CLC2IE	CLC1IE	93
PIR4	—	CWG1IF	—	—	—	—	CCP2IF	CCP1IF	99
PIE4	—	CWG1IE	—	—	—	—	CCP2IE	CCP1IE	94
T1CON	TMR1CS<1:0>		T1CKPS<1:0>		T1SOSC	T1SYNC	—	TMR1ON	273
T1GCON	TMR1GE	T1GPOL	T1GTM	T1GSPM	T1GGO/DONE	T1GVAL	T1GSS<1:0>		274
TMR1L	TMR1L<7:0>								275
TMR1H	TMR1H<7:0>								275
T1CKIPPS	—	—	—	T1CKIPPS<4:0>					144
T1GPPS	—	—	—	T1GPPS<4:0>					144
T0CON0	T0EN	—	T0OUT	T016BIT	T0OUTPS<3:0>				261
CMxCON0	CxON	CxOUT	—	CxPOL	—	CxSP	CxHYS	CxSYNC	171
CCPxCON	CCPxEN	—	CCPxOUT	CCPxFMT	CCPxMODE<3:0>				289
CLCxSEly	—	—	—	LCxDyS<4:0>					210
ADACT	—	—	—	—	ADACT<3:0>				227

**Legend:** — = unimplemented location, read as '0'. Shaded cells are not used by the Timer1 module.

**Note 1:** PIC16(L)F18323 only.

**Note 2:** Unimplemented, read as '1'.

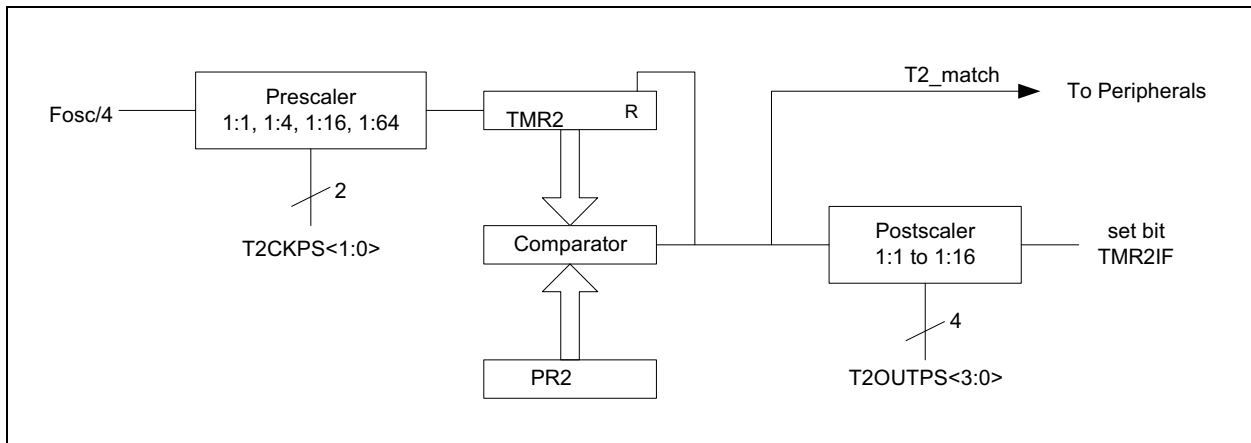
## 28.0 TIMER2 MODULE

Timer2 module is an 8-bit timer that incorporates the following features:

- 8-bit Timer and Period registers (TMR2 and PR2, respectively)
- Readable and writable (both registers)
- Software programmable prescaler (1:1, 1:4, 1:16, and 1:64)
- Software programmable postscaler (1:1 to 1:16)
- Interrupt on TMR2 match with PR2
- Optional use as the shift clock for the MSSP1 module

See [Figure 28-1](#) for a block diagram of Timer2.

**FIGURE 28-1: TIMER2 BLOCK DIAGRAM**



# PIC16(L)F18313/18323

---

## 28.1 Timer2 Operation

The clock input to the Timer2 modules is the system instruction clock ( $F_{osc}/4$ ).

A 4-bit counter/prescaler on the clock input allows direct input, divide-by-4 and divide-by-16 prescale options. These options are selected by the prescaler control bits, T2CKPS<1:0> of the T2CON register. The value of TMR2 is compared to that of the Period register, PR2, on each clock cycle. When the two values match, the comparator generates a match signal as the timer output. This signal also resets the value of TMR2 to 00h on the next cycle and drives the output counter/postscaler (see [Section 28.2 “Timer2 Interrupt”](#)).

The TMR2 and PR2 registers are both directly readable and writable. The TMR2 register is cleared on any device Reset, whereas the PR2 register initializes to FFh. Both the prescaler and postscaler counters are cleared on the following events:

- A write to the TMR2 register
- A write to the T2CON register
- Power-on Reset (POR)
- Brown-out Reset (BOR)
- $\overline{MCLR}$  Reset
- Watchdog Timer (WDT) Reset
- Stack Overflow Reset
- Stack Underflow Reset
- RESET Instruction

<b>Note:</b> TMR2 is not cleared when T2CON is written.
---------------------------------------------------------

## 28.2 Timer2 Interrupt

Timer2 can also generate an optional device interrupt. The Timer2 output signal (TMR2-to-PR2 match) provides the input for the 4-bit counter/postscaler. This counter generates the TMR2 match interrupt flag which is latched in TMR2IF of the PIR1 register. The interrupt is enabled by setting the TMR2 Match Interrupt Enable bit, TMR2IE, of the PIE1 register.

A range of 16 postscale options (from 1:1 through 1:16 inclusive) can be selected with the postscaler control bits, T2OUTPS<3:0>, of the T2CON register.

## 28.3 Timer2 Output

The unscaled output of TMR2 is available primarily to the CCP modules, where it is used as a time base for operations in PWM mode.

Timer2 can be optionally used as the shift clock source for the MSSP1 module operating in SPI mode. Additional information is provided in [Section 30.0 “Master Synchronous Serial Port \(MSSP1\) Module”](#)

## 28.4 Timer2 Operation During Sleep

The Timer2 timers cannot be operated while the processor is in Sleep mode. The contents of the TMR2 and PR2 registers will remain unchanged while the processor is in Sleep mode.

## 28.5 Register Definitions: Timer2 Control

### REGISTER 28-1: T2CON: TIMER2 CONTROL REGISTER

U-0	R/W-0/0	R/W-0/0	R/W-0/0	R/W-0/0	R/W-0/0	R/W-0/0	R/W-0/0
—	T2OUTPS<3:0>				TMR2ON	T2CKPS<1:0>	
bit 7							bit 0

#### Legend:

R = Readable bit	W = Writable bit	U = Unimplemented bit, read as '0'
u = Bit is unchanged	x = Bit is unknown	-n/n = Value at POR and BOR/Value at all other Resets
'1' = Bit is set	'0' = Bit is cleared	

bit 7	<b>Unimplemented:</b> Read as '0'
bit 6-3	<b>T2OUTPS&lt;3:0&gt;:</b> Timer2 Output Postscaler Select bits 1111 = 1:16 Postscaler 1110 = 1:15 Postscaler 1101 = 1:14 Postscaler 1100 = 1:13 Postscaler 1011 = 1:12 Postscaler 1010 = 1:11 Postscaler 1001 = 1:10 Postscaler 1000 = 1:9 Postscaler 0111 = 1:8 Postscaler 0110 = 1:7 Postscaler 0101 = 1:6 Postscaler 0100 = 1:5 Postscaler 0011 = 1:4 Postscaler 0010 = 1:3 Postscaler 0001 = 1:2 Postscaler 0000 = 1:1 Postscaler
bit 2	<b>TMR2ON:</b> Timer2 On bit 1 = Timer2 is on 0 = Timer2 is off
bit 1-0	<b>T2CKPS&lt;1:0&gt;:</b> Timer2 Clock Prescale Select bits 11 = Prescaler is 64 10 = Prescaler is 16 01 = Prescaler is 4 00 = Prescaler is 1

# PIC16(L)F18313/18323

## REGISTER 28-2: TMR2: TIMER2 COUNT REGISTER

R/W-0/0	R/W-0/0	R/W-0/0	R/W-0/0	R/W-0/0	R/W-0/0	R/W-0/0	R/W-0/0
TMR2<7:0>							
bit 7							bit 0

### Legend:

R = Readable bit                      W = Writable bit                      U = Unimplemented bit, read as '0'  
u = Bit is unchanged                  x = Bit is unknown                  -n/n = Value at POR and BOR/Value at all other Resets  
'1' = Bit is set                          '0' = Bit is cleared

bit 7-0                  **TMRx<7:0>**: TMR2 Counter bits 7..0

## REGISTER 28-3: PR2: TIMER2 PERIOD REGISTER

R/W-1/1	R/W-1/1	R/W-1/1	R/W-1/1	R/W-1/1	R/W-1/1	R/W-1/1	R/W-1/1
PR2<7:0>							
bit 7							bit 0

### Legend:

R = Readable bit                      W = Writable bit                      U = Unimplemented bit, read as '0'  
u = Bit is unchanged                  x = Bit is unknown                  -n/n = Value at POR and BOR/Value at all other Resets  
'1' = Bit is set                          '0' = Bit is cleared

bit 7-0                  **PRx<7:0>**: TMR2 Counter bits 7..0  
When TMR2 = PR2, the next clock will reset the counter; counter period is (PR2+1)



# PIC16(L)F18313/18323

**TABLE 28-1: SUMMARY OF REGISTERS ASSOCIATED WITH TIMER2**

Name	Bit 7	Bit 6	Bit 5	Bit 4	Bit 3	Bit 2	Bit 1	Bit 0	Register on Page
INTCON	GIE	PEIE	—	—	—	—	—	INTEDG	<a href="#">89</a>
PIR1	TMR1GIF	ADIF	RCIF	TXIF	SSP1IF	BCL1IF	TMR2IF	TMR1IF	<a href="#">96</a>
PIE1	TMR1GIE	ADIE	RCIE	TXIE	SSP1IE	BCL1IE	TMR2IE	TMR1IE	<a href="#">91</a>
PIR2	—	C2IF <sup>(1)</sup>	C1IF	NVMIF	—	—	—	NCO1IF	<a href="#">97</a>
PIE2	—	C2IE <sup>(1)</sup>	C1IE	NVMIE	—	—	—	NCO1IE	<a href="#">92</a>
T2CON	—	T2OUTPS<3:0>				TMR2ON	T2CKPS<1:0>		<a href="#">279</a>
TMR2	TMR2<7:0>								<a href="#">280</a>
PR2	PR2<7:0>								<a href="#">280</a>
ADACT	—	—	—	—	ADACT<3:0>				<a href="#">227</a>
CLCxSELY	—	—	—	LCxDyS<4:0>					<a href="#">210</a>

**Legend:** — = unimplemented location, read as '0'. Shaded cells are not used for Timer2 module.

**Note 1:** PIC16(L)F18323 only.

# PIC16(L)F18313/18323

## 29.0 CAPTURE/COMPARE/PWM MODULES

The Capture/Compare/PWM module is a peripheral that allows the user to time and control different events and to generate Pulse-Width Modulation (PWM) signals. In Capture mode, the peripheral allows the timing of the duration of an event. The Compare mode allows the user to trigger an external event when a predetermined amount of time has expired. The PWM mode can generate Pulse-Width Modulated signals of varying frequency and duty cycle.

This family of devices contains two standard Capture/Compare/PWM modules (CCP1 and CCP2).

The Capture and Compare functions are identical for all CCP modules.

**Note 1:** In devices with more than one CCP module, it is very important to pay close attention to the register names used. A number placed after the module acronym is used to distinguish between separate modules. For example, the CCP1CON and CCP2CON control the same operational aspects of two completely different CCP modules.

**2:** Throughout this section, generic references to a CCP module in any of its operating modes may be interpreted as being equally applicable to CCPx module. Register names, module signals, I/O pins, and bit names may use the generic designator 'x' to indicate the use of a numeral to distinguish a particular module, when required.

## 29.1 Capture Mode

Capture mode makes use of either the 16-bit Timer0 or Timer1 resource. When an event occurs on the capture source, the 16-bit CCPRxH:CCPRxL register pair captures and stores the 16-bit value of the TMR0H:TMR0L or TMR1H:TMR1L register pair, respectively. An event is defined as one of the following and is configured by the CCPxMODE<3:0> bits of the CCPxCON register:

- Every falling edge
- Every rising edge
- Every 4th rising edge
- Every 16th rising edge

When a capture is made, the Interrupt Request Flag bit CCPxIF of the PIR4 register is set. The interrupt flag must be cleared in software. If another capture occurs before the value in the CCPRxH, CCPRxL register pair is read, the old captured value is overwritten by the new captured value.

Figure 29-1 shows a simplified diagram of the capture operation.

### 29.1.1 CAPTURE SOURCES

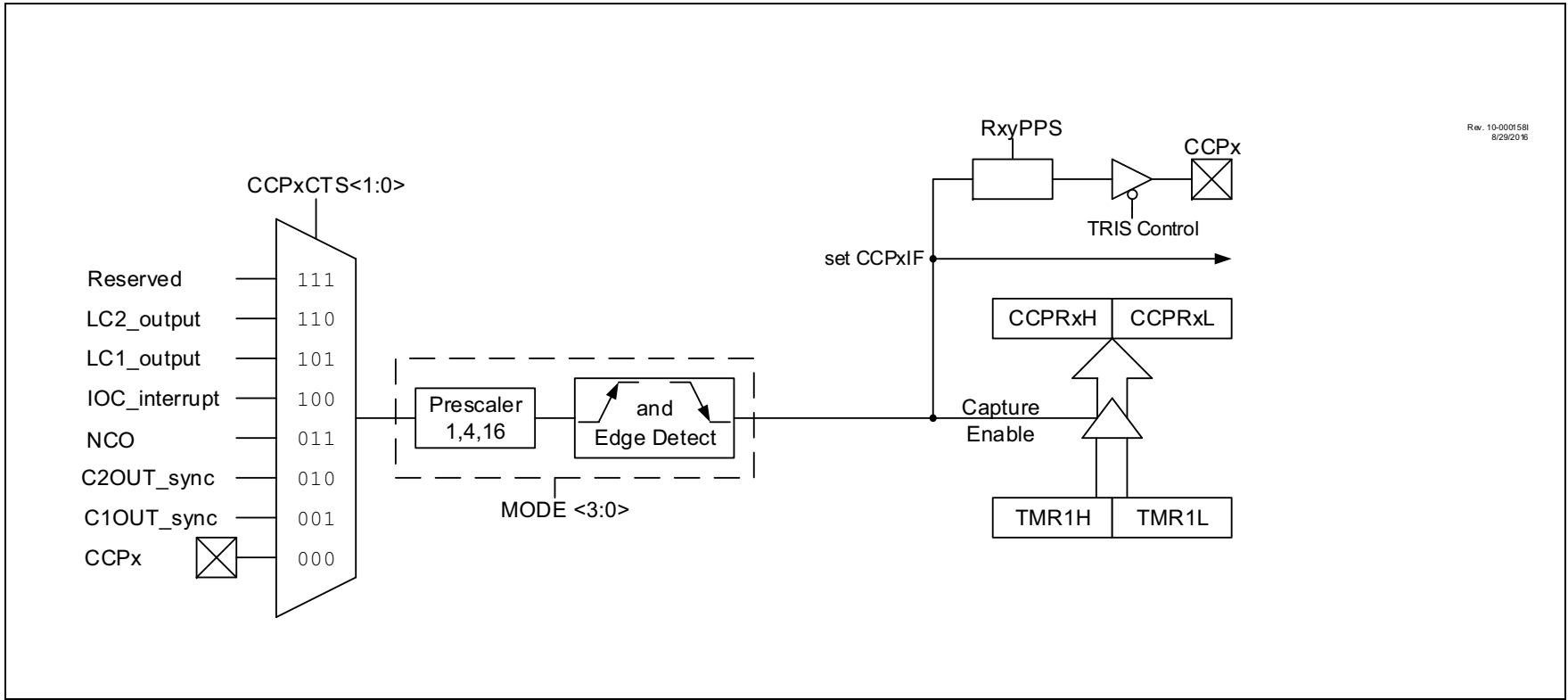
In Capture mode, the CCPx pin should be configured as an input by setting the associated TRIS control bit.

**Note:** If the CCPx pin is configured as an output, a write to the port can cause a Capture condition.

The capture source is selected by configuring the CCPxCTS<3:0> bits of the CCPxCAP register. The following sources can be selected:

- CCPxPPS input
- C1\_output
- C2\_output (PIC16(L)F18323 only)
- NCO\_output
- IOC\_interrupt
- LC1\_output
- LC2\_output

FIGURE 29-1: CAPTURE MODE OPERATION BLOCK DIAGRAM



# PIC16(L)F18313/18323

## 29.1.2 TIMER1 MODE RESOURCE

Timer1 must be running in Timer mode or Synchronized Counter mode for the CCP module to use the capture feature. In Asynchronous Counter mode, the capture operation may not work.

See [Section 27.0 “Timer1 Module with Gate Control”](#) for more information on configuring Timer1.

**Note:** Clocking Timer1 from the system clock (FOSC) should not be used in Capture mode. In order for Capture mode to recognize the trigger event on the CCPx pin, Timer1 must be clocked from the instruction clock (FOSC/4) or from an external clock source.

## 29.1.3 SOFTWARE INTERRUPT MODE

When the Capture mode is changed, a false capture interrupt may be generated. The user should keep the CCPxIE interrupt enable bit of the PIE4 register clear to avoid false interrupts. Additionally, the user should clear the CCPxIF interrupt flag bit of the PIR4 register following any change in Operating mode.

## 29.1.4 CCP PRESCALER

There are four prescaler settings specified by the CCPxMODE<3:0> bits of the CCPxCON register. Whenever the CCP module is turned off, or the CCP module is not in Capture mode, the prescaler counter is cleared. Any Reset will clear the prescaler counter.

Switching from one capture prescaler to another does not clear the prescaler and may generate a false interrupt. To avoid this unexpected operation, turn the module off by clearing the CCPxCON register before changing the prescaler. [Example 29-1](#) demonstrates the code to perform this function.

### EXAMPLE 29-1: CHANGING BETWEEN CAPTURE PRESCALERS

```
BANKSEL CCPxCON    ;Set Bank bits to point
                   ;to CCPxCON
CLRF    CCPxCON    ;Turn CCP module off
MOVLW  NEW_CAPT_PS ;Load the W reg with
                   ;the new prescaler
MOVWF  CCPxCON    ;move value and CCP ON
                   ;Load CCPxCON with this
                   ;value
```

## 29.1.5 CAPTURE DURING SLEEP

Capture mode depends upon the Timer1 module for proper operation. There are two options for driving the Timer1 module in Capture mode. It can be driven by the instruction clock (FOSC/4), or by an external clock source.

When Timer1 is clocked by FOSC/4, Timer1 will not increment during Sleep. When the device wakes from Sleep, Timer1 will continue from its previous state.

Capture mode will operate during Sleep when Timer1 is clocked by an external clock source.

## 29.2 Compare Mode

Compare mode makes use of the 16-bit Timer1 resource. The 16-bit value of the CCPxH:CCPRxL register pair is constantly compared against the 16-bit value of the TMR1H:TMR1L register pair. When a match occurs, one of the following events can occur:

- Toggle the CCPx output
- Set the CCPx output
- Clear the CCPx output
- Generate an Auto-conversion Trigger
- Generate a Software Interrupt

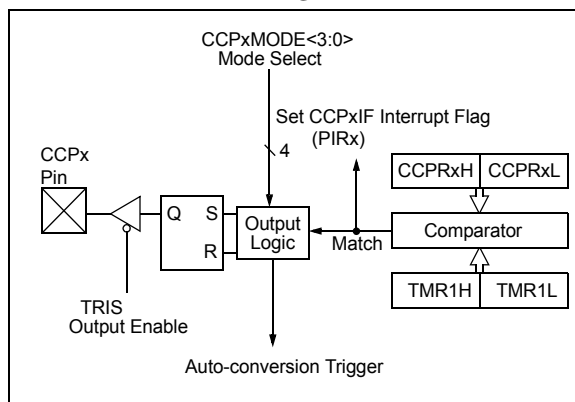
The action on the pin is based on the value of the CCPxMODE<3:0> control bits of the CCPxCON register. At the same time, the interrupt flag CCPxIF bit is set, and an ADC conversion can be triggered, if selected.

All Compare modes can generate an interrupt and trigger an ADC conversion.

Figure 29-2 shows a simplified diagram of the compare operation.

**Note:** When the CCP is configured in Compare mode using the 'toggle output on match' setting (CCPxMODE<3:0> bits = 0010) and the reference timer is set for an input clock prescale other than 1:1, the output of the CCP will toggle multiple times until finally settling a '0' logic level. To avoid this, the timer input clock prescale select bits must be set to a 1:1 ratio (TxCKPS = 00).

**FIGURE 29-2: COMPARE MODE OPERATION BLOCK DIAGRAM**



### 29.2.1 CCPX PIN CONFIGURATION

The user must configure the CCPx pin as an output by clearing the associated TRIS bit and defining the appropriate output pin through the RxyPPS registers. See [Section 13.0 “Peripheral Pin Select \(PPS\) Module”](#) for more details.

**Note:** Clearing the CCPxCON register will force the CCPx compare output latch to the default low level. This is not the PORT I/O data latch.

### 29.2.2 TIMER1 MODE RESOURCE

In Compare mode, Timer1 must be running in either Timer mode or Synchronized mode. The compare operation may not work in Asynchronous mode.

See [Section 27.0 “Timer1 Module with Gate Control”](#) for more information on configuring Timer1.

**Note:** Clocking Timer1 from the system clock (Fosc) should not be used in Compare mode. In order for Compare mode to recognize the trigger event on the CCPx pin, Timer1 must be clocked from the instruction clock (Fosc/4) or from an external clock source.

### 29.2.3 AUTO-CONVERSION TRIGGER

All CCPx modes set the CCP interrupt flag (CCPxIF). When this flag is set as a match occurs, an auto-conversion trigger can occur if the CCP module is selected as the conversion trigger source.

Refer to [Section 22.2.5 “Auto-Conversion Trigger”](#) for more information.

**Note:** Removing the Match condition by changing the contents of the CCPxH and CCPRxL register pair, between the clock edge that generates the Auto-conversion Trigger and the clock edge that generates the Timer Reset, will preclude the Reset from occurring.

### 29.2.4 COMPARE DURING SLEEP

Since Fosc is shut down during Sleep mode, the Compare mode will not function properly during Sleep, unless the timer is running. The device will wake on interrupt (if enabled).

### 29.2.5 COMPARE INTERRUPTS

The CCPxIF interrupt flag will be set when a match between the CCPxH:CCPRxL register pair and the TMR1H:TMR1L register pair occurs. If the device is in Sleep and interrupts are enabled (CCPxIE = 1), the device will wake up, assuming Timer1 is operating during Sleep.

# PIC16(L)F18313/18323

## 29.3 PWM Overview

Pulse-Width Modulation (PWM) is a scheme that provides power to a load by switching quickly between fully on and fully off states. The PWM signal resembles a square wave where the high portion of the signal is considered the on state and the low portion of the signal is considered the off state. The high portion, also known as the pulse width, can vary in time and is defined in steps. A larger number of steps applied, which lengthens the pulse width, also supplies more power to the load. Lowering the number of steps applied, which shortens the pulse width, supplies less power. The PWM period is defined as the duration of one complete cycle or the total amount of on and off time combined.

PWM resolution defines the maximum number of steps that can be present in a single PWM period. A higher resolution allows for more precise control of the pulse width time and in turn the power that is applied to the load.

The term duty cycle describes the proportion of the on time to the off time and is expressed in percentages, where 0% is fully off and 100% is fully on. A lower duty cycle corresponds to less power applied and a higher duty cycle corresponds to more power applied.

Figure 29-3 shows a typical waveform of the PWM signal.

### 29.3.1 STANDARD PWM OPERATION

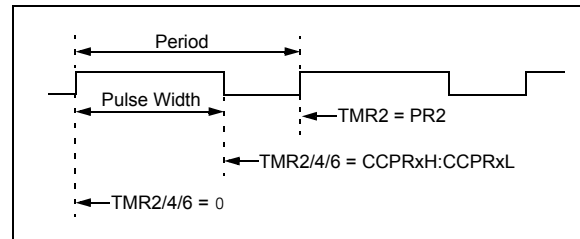
The standard PWM mode generates a Pulse-Width Modulation (PWM) signal on the CCPx pin with up to ten bits of resolution. The period, duty cycle, and resolution are controlled by the following registers:

- PR2 register
- T2CON register
- CCPxL registers
- CCPxCON registers

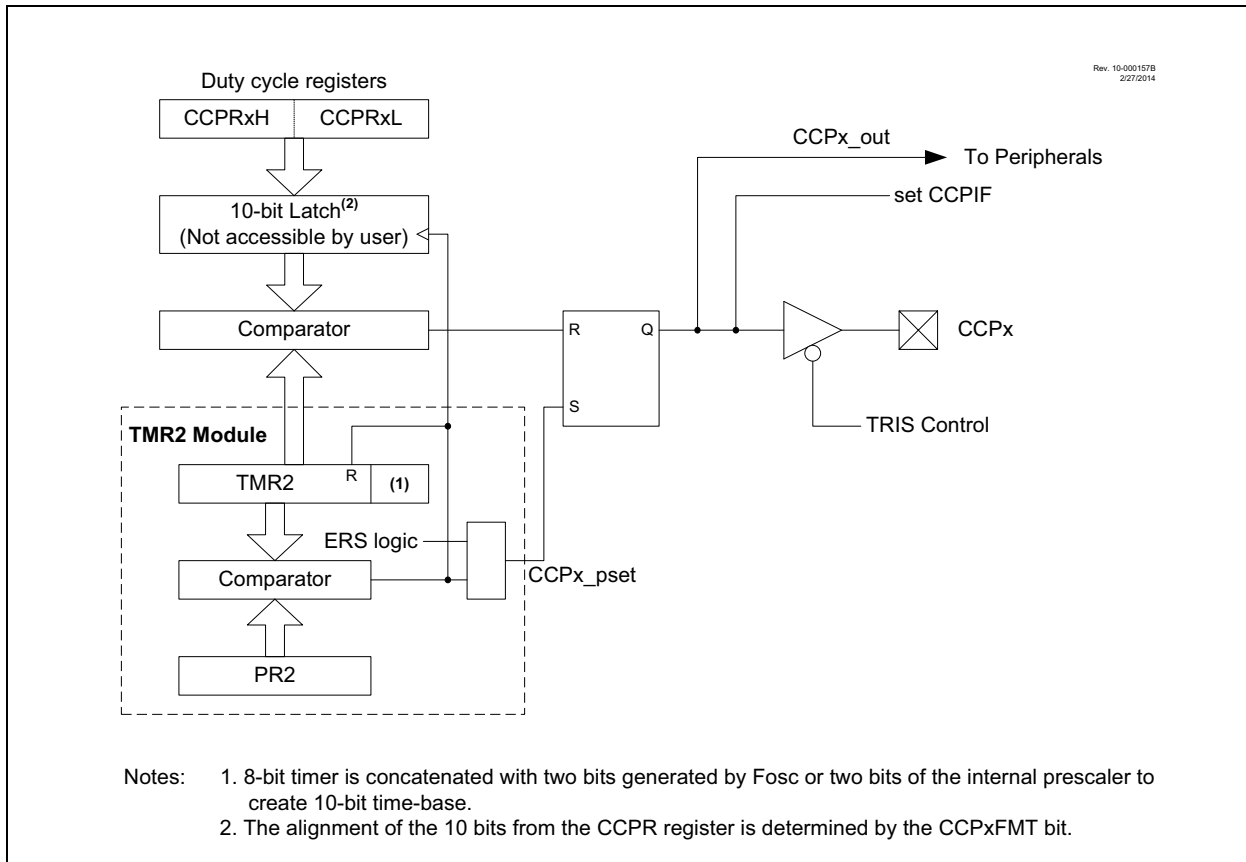
Figure 29-4 shows a simplified block diagram of PWM operation.

**Note:** The corresponding TRIS bit must be cleared to enable the PWM output on the CCPx pin.

**FIGURE 29-3: CCP PWM OUTPUT SIGNAL**



**FIGURE 29-4: SIMPLIFIED PWM BLOCK DIAGRAM**



## 29.3.2 SETUP FOR PWM OPERATION

The following steps should be taken when configuring the CCP module for standard PWM operation:

1. Use the desired output pin RxyPPS control to select CCPx as the source and disable the CCPx pin output driver by setting the associated TRIS bit.
2. Load the PR2 register with the PWM period value.
3. Configure the CCP module for the PWM mode by loading the CCPxCON register with the appropriate values.
4. Load the CCPRxL register and the CCPRxH register bits, with the PWM duty cycle value and configure the CCPxFMT bit of the CCPxCON register to set the proper register alignment.
5. Configure and start Timer2.
  - Clear the TMR2IF interrupt flag bits of the PIR4 register. See Note below.
  - Configure the T2CKPS bits of the T2CON register with the Timer prescale value.
  - Enable the Timer by setting the TMR2ON bit of the T2CON register.
6. Enable PWM output pin:
  - Wait until the Timer overflows and the TMR2IF bits of the PIR4 register is set. See Note below.
  - Enable the CCPx pin output driver by clearing the associated TRIS bit.

**Note:** In order to send a complete duty cycle and period on the first PWM output, the above steps must be included in the setup sequence. If it is not critical to start with a complete PWM signal on the first output, then step 6 may be ignored.

## 29.3.3 TIMER2 TIMER RESOURCE

The PWM standard mode makes use of the 8-bit Timer2 timer resources to specify the PWM period.

## 29.3.4 PWM PERIOD

The PWM period is specified by the PR2 register of Timer2. The PWM period can be calculated using the formula of [Equation 29-1](#).

### EQUATION 29-1: PWM PERIOD

$$PWM\ Period = [(PR2) + 1] \cdot 4 \cdot T_{osc} \cdot (TMR2\ Prescale\ Value)$$

**Note:**  $T_{osc} = 1/F_{osc}$

When TMR2 is equal to PR2, the following three events occur on the next increment cycle:

- TMR2 is cleared
- The CCPx pin is set. (Exception: If the PWM duty cycle = 0%, the pin will not be set.)
- The PWM duty cycle is transferred from the CCPRxL/H register pair into a 10-bit buffer.

**Note:** The Timer postscaler (see [Section 28.1 "Timer2 Operation"](#)) is not used in the determination of the PWM frequency.

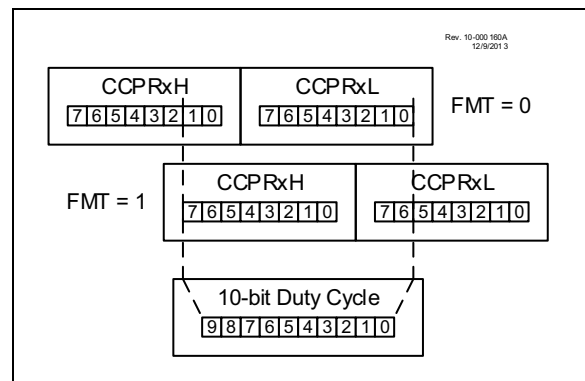
## 29.3.5 PWM DUTY CYCLE

The PWM duty cycle is specified by writing a 10-bit value to the CCPRxH:CCPRxL register pair. The alignment of the 10-bit value is determined by the CCPRxFMT bit of the CCPxCON register (see [Figure 29-5](#)). The CCPRxH:CCPRxL register pair can be written to at any time; however, the duty cycle value is not latched into the 10-bit buffer until after a match between PR2 and TMR2.

[Equation 29-2](#) is used to calculate the PWM pulse width.

[Equation 29-3](#) is used to calculate the PWM duty cycle ratio.

**FIGURE 29-5: PWM 10-BIT ALIGNMENT BLOCK DIAGRAM**



# PIC16(L)F18313/18323

## EQUATION 29-2: PULSE WIDTH

$$\text{Pulse Width} = (\text{CCPRxH:CCPRxL register pair}) \cdot T_{\text{OSC}} \cdot (\text{TMR2 Prescale Value})$$

## EQUATION 29-3: DUTY CYCLE RATIO

$$\text{Duty Cycle Ratio} = \frac{(\text{CCPRxH:CCPRxL register pair})}{4(\text{PR2} + 1)}$$

The CCPRxH:CCPRxL register pair and a 2-bit internal latch are used to double buffer the PWM duty cycle. This double buffering provides glitchless PWM operation.

The 8-bit timer TMR2 register is concatenated with either the 2-bit internal system clock (FOSC), or two bits of the prescaler, to create the 10-bit time base. The system clock is used if the Timer2 prescaler is set to 1:1.

When the 10-bit time base matches the CCPRxH:CCPRxL register pair, then the CCPx pin is cleared (see [Figure 29-4](#)).

## 29.3.6 PWM RESOLUTION

PWM resolution, expressed in number of bits, defines the maximum number of discrete steps that can be present in a single PWM period. For example, a 10-bit resolution will result in 1024 discrete steps, whereas an 8-bit resolution will result in 256 discrete steps.

The maximum PWM resolution is ten bits when PR2 is 255. The resolution is a function of the PR2 register value as shown by [Equation 29-4](#).

## EQUATION 29-4: PWM RESOLUTION

$$\text{Resolution} = \frac{\log[4(\text{PR2} + 1)]}{\log(2)} \text{ bits}$$

**Note:** If the pulse width value is greater than the period the assigned PWM pin(s) will remain unchanged.

**TABLE 29-1: EXAMPLE PWM FREQUENCIES AND RESOLUTIONS (Fosc = 20 MHz)**

PWM Frequency	1.22 kHz	4.88 kHz	19.53 kHz	78.12 kHz	156.3 kHz	208.3 kHz
Timer Prescale	16	4	1	1	1	1
PR2 Value	0xFF	0xFF	0xFF	0x3F	0x1F	0x17
Maximum Resolution (bits)	10	10	10	8	7	6.6

**TABLE 29-2: EXAMPLE PWM FREQUENCIES AND RESOLUTIONS (Fosc = 8 MHz)**

PWM Frequency	1.22 kHz	4.90 kHz	19.61 kHz	76.92 kHz	153.85 kHz	200.0 kHz
Timer Prescale	16	4	1	1	1	1
PR2 Value	0x65	0x65	0x65	0x19	0x0C	0x09
Maximum Resolution (bits)	8	8	8	6	5	5

## 29.3.7 OPERATION IN SLEEP MODE

In Sleep mode, the TMR2 register will not increment and the state of the module will not change. If the CCPx pin is driving a value, it will continue to drive that value. When the device wakes up, TMR2 will continue from its previous state.

## 29.3.8 CHANGES IN SYSTEM CLOCK FREQUENCY

The PWM frequency is derived from the system clock frequency. Any changes in the system clock frequency will result in changes to the PWM frequency. See [Section 7.0 “Oscillator Module”](#) for additional details.

## 29.3.9 EFFECTS OF RESET

Any Reset will force all ports to Input mode and the CCP registers to their Reset states.



## 29.4 Register Definitions: CCP Control

**REGISTER 29-1: CCPxCON: CCPx CONTROL REGISTER**

R/W-0/0	U-0	R-x/x	R/W-0/0	R/W-0/0	R/W-0/0	R/W-0/0	R/W-0/0
CCPxEN	—	CCPxOUT	CCPxFMT	CCPxMODE<3:0>			
bit 7							bit 0

**Legend:**

R = Readable bit	W = Writable bit	U = Unimplemented bit, read as '0'
u = Bit is unchanged	x = Bit is unknown	-n/n = Value at POR and BOR/Value at all other Reset
'1' = Bit is set	'0' = Bit is cleared	

bit 7	<b>CCPxEN:</b> CCP Module Enable bit 0 = CCP is disabled 1 = CCP is enabled
bit 6	<b>Unimplemented:</b> Read as '0'
bit 5	<b>CCPxOUT:</b> CCPx Output Data (read-only) bit
bit 4	<b>CCPxFMT:</b> CCPW (pulse width) Alignment bit <u>CCPxMODE = Capture mode</u> Unused <u>CCPxMODE = Compare mode</u> Unused <u>CCPxMODE = PWM mode</u> 0 = Right-aligned format 1 = Left-aligned format
bit 3-0	<b>CCPxMODE&lt;3:0&gt;:</b> CCPx Mode Select bits <sup>(1)</sup> 1111 = PWM mode 1110 = Reserved 1101 = Reserved 1100 = Reserved  1011 = Compare mode: output will pulse 0-1-0; Clears TMR1 1010 = Compare mode: output will pulse 0-1-0 1001 = Compare mode: clear output on compare match 1000 = Compare mode: set output on compare match  0111 = Capture mode: every 16th rising edge of CCPx input 0110 = Capture mode: every 4th rising edge of CCPx input 0101 = Capture mode: every rising edge of CCPx input 0100 = Capture mode: every falling edge of CCPx input  0011 = Capture mode: every edge of CCPx input 0010 = Compare mode: toggle output on match 0001 = Compare mode: toggle output on match; clear TMR1 0000 = Capture/Compare/PWM off (resets CCPx module)

**Note 1:** All modes will set the CCPxIF bit and will trigger an ADC conversion if CCPx is selected as the ADC trigger source.

# PIC16(L)F18313/18323

## REGISTER 29-2: CCPxCAP: CAPTURE INPUT SELECTION REGISTER

U-0	U-0	U-0	U-0	U-0	R/W-0/x	R/W-0/x	R/W-0/x
—	—	—	—	—	CCPxCTS<2:0>		
bit 7					bit 0		

### Legend:

R = Readable bit                      W = Writable bit                      U = Unimplemented bit, read as '0'  
 u = Bit is unchanged                  x = Bit is unknown                  -n/n = Value at POR and BOR/Value at all other Reset  
 '1' = Bit is set                          '0' = Bit is cleared

bit 7-3                      **Unimplemented:** Read as '0'

bit 2-0                      **CCPxCTS<2:0>:** CCPx Capture Mode Data Select bits

CTS<2:0>	CCP1CAP CAPTURE INPUT	CCP2CAP CAPTURE INPUT
000	CCP1PPS	CCP2PPS
001	C1OUT	
010	C2OUT <sup>(1)</sup>	
011	NCO1	
100	IOC_interrupt	
101	LC1_output	
110	LC2_output	
111	Reserved	

**Note 1:** PIC16(L)F18323 only.

# PIC16(L)F18313/18323

## REGISTER 29-3: CCPRxL REGISTER: CCPx REGISTER LOW BYTE

R/W-x/x	R/W-x/x	R/W-x/x	R/W-x/x	R/W-x/x	R/W-x/x	R/W-x/x	R/W-x/x
CCPRxL<7:0>							
bit 7							bit 0

### Legend:

R = Readable bit	W = Writable bit	U = Unimplemented bit, read as '0'
u = Bit is unchanged	x = Bit is unknown	-n/n = Value at POR and BOR/Value at all other Reset
'1' = Bit is set	'0' = Bit is cleared	

bit 7-0      CCPxMODE = Capture mode  
**CCPRxL<7:0>**: Captured value of TMR1L  
CCPxMODE = Compare mode  
**CCPRxL<7:0>**: LS Byte compared to TMR1L  
CCPxMODE = PWM modes when CCPxFMT = 0  
**CCPRxL<7:0>**: CCPW<7:0> – Pulse-width Least Significant eight bits  
CCPxMODE = PWM modes when CCPxFMT = 1  
**CCPRxL<7:6>**: CCPW<1:0> – Pulse-width Least Significant two bits  
**CCPRxL<5:0>**: Not used.

## REGISTER 29-4: CCPRxH REGISTER: CCPx REGISTER HIGH BYTE

R/W-x/x	R/W-x/x	R/W-x/x	R/W-x/x	R/W-x/x	R/W-x/x	R/W-x/x	R/W-x/x
CCPRxH<7:0>							
bit 7							bit 0

### Legend:

R = Readable bit	W = Writable bit	U = Unimplemented bit, read as '0'
u = Bit is unchanged	x = Bit is unknown	-n/n = Value at POR and BOR/Value at all other Reset
'1' = Bit is set	'0' = Bit is cleared	

bit 7-0      CCPxMODE = Capture mode  
**CCPRxH<7:0>**: Captured value of TMR1H  
CCPxMODE = Compare mode  
**CCPRxH<7:0>**: MS Byte compared to TMR1H  
CCPxMODE = PWM modes when CCPxFMT = 0  
**CCPRxH<7:2>**: Not used  
**CCPRxH<1:0>**: CCPW<9:8> – Pulse-width Most Significant two bits  
CCPxMODE = PWM modes when CCPxFMT = 1  
**CCPRxH<7:0>**: CCPW<9:2> – Pulse-width Most Significant eight bits

# PIC16(L)F18313/18323

**TABLE 29-3: SUMMARY OF REGISTERS ASSOCIATED WITH CCPx**

Name	Bit 7	Bit 6	Bit 5	Bit 4	Bit 3	Bit 2	Bit 1	Bit 0	Register on Page
TRISA	—	—	TRISA5	TRISA4	— <sup>(2)</sup>	TRISA2	TRISA1	TRISA0	131
ANSELA	—	—	ANSA5	ANSA4	—	ANSA2	ANSA1	ANSA0	132
TRISC7 <sup>(1)</sup>	—	—	TRISC5	TRISC4	TRISC3	TRISC2	TRISC1	TRISC0	138
ANSELC7 <sup>(1)</sup>	—	—	ANSC5	ANSC4	ANSC3	ANSC2	ANSC1	ANSC0	139
INTCON	GIE	PEIE	—	—	—	—	—	INTEDG	89
PIR4	—	CWG1IF	—	—	—	—	CCP2IF	CCP1IF	99
PIE4	—	CWGIE	—	—	—	—	CCP2IE	CCP1IE	94
CCPxCON	CCPxEN	—	CCPxOUT	CCPxFMT	CCPxMODE<3:0>				289
CCPxCAP	—	—	—	—	—	CCPxCTS<2:0>			290
CCPRxL	CCPRx<7:0>								291
CCPRxH	CCPRx<15:8>								291
CCP1PPS	—	—	—	CCP1PPS<4:0>					144
CCP2PPS	—	—	—	CCP2PPS<4:0>					144
ADACT	—	—	—	—	ADACT<3:0>				227
CLCxSEly	—	—	—	LCxDyS<4:0>					210
CWG1DAT	—	—	—	—	DAT<3:0>				196
MDSRC	—	—	—	—	MDMS<3:0>				253
MDCARH	—	MDCHPOL	MDCHSYNC	—	MDCH<3:0>				254
MDCARL	—	MDCLPOL	MDCLSYNC	—	MDCL<3:0>				255

**Legend:** — = Unimplemented location, read as '0'. Shaded cells are not used by the CCP module.

**Note 1:** PIC16(L)F18323 only.

**2:** Unimplemented, read as '1'.

## 30.0 MASTER SYNCHRONOUS SERIAL PORT (MSSP1) MODULE

### 30.1 MSSP1 Module Overview

The Master Synchronous Serial Port (MSSP1) module is a serial interface useful for communicating with other peripheral or microcontroller devices. These peripheral devices may be serial EEPROMs, shift registers, display drivers, A/D Converters, etc. The MSSP1 module can operate in one of two modes:

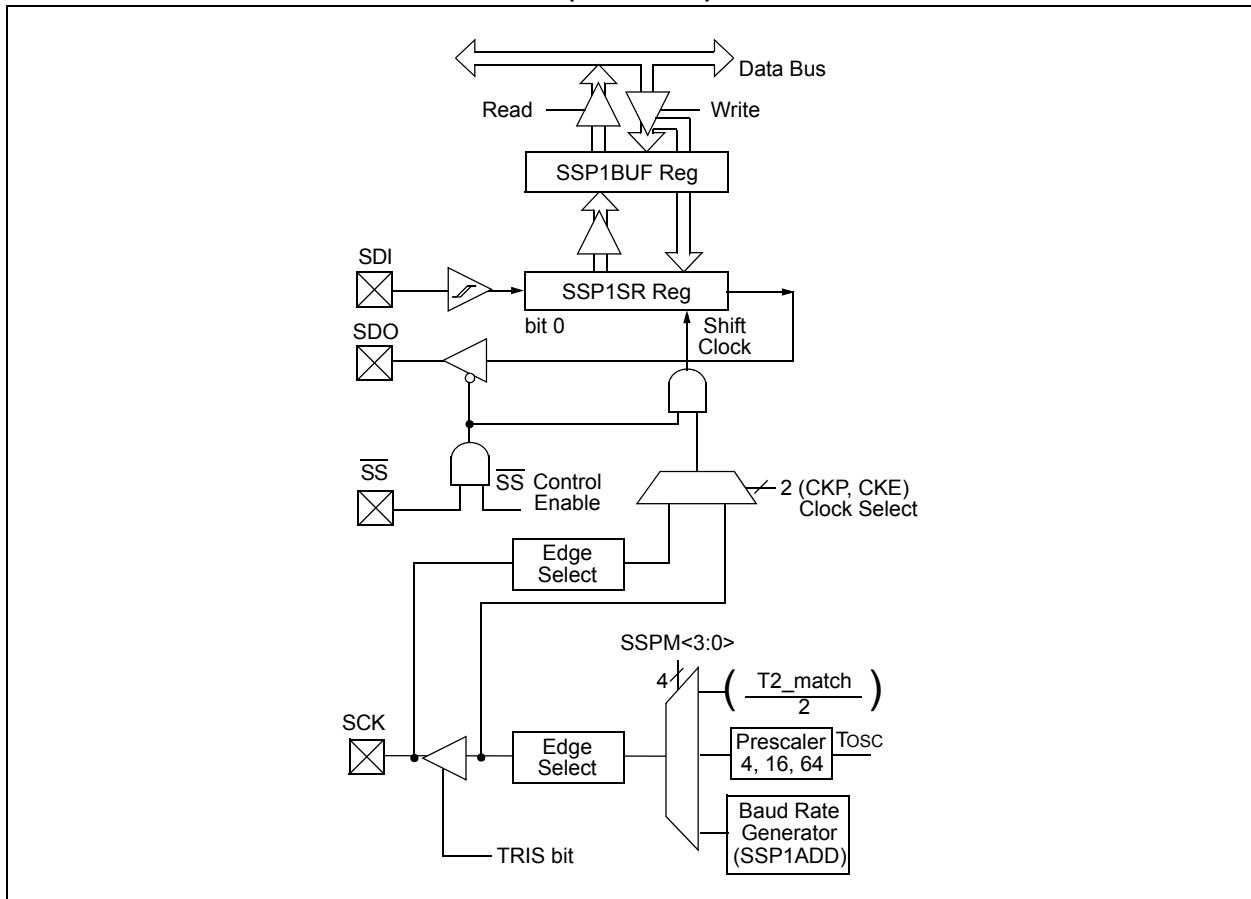
- Serial Peripheral Interface (SPI)
- Inter-Integrated Circuit (I<sup>2</sup>C)

The SPI interface supports the following modes and features:

- Master mode
- Slave mode
- Clock Polarity
- Slave Select Synchronization (Slave mode only)
- Daisy-chain connection of slave devices

Figure 30-1 is a block diagram of the SPI interface module.

**FIGURE 30-1: MSSP BLOCK DIAGRAM (SPI MODE)**



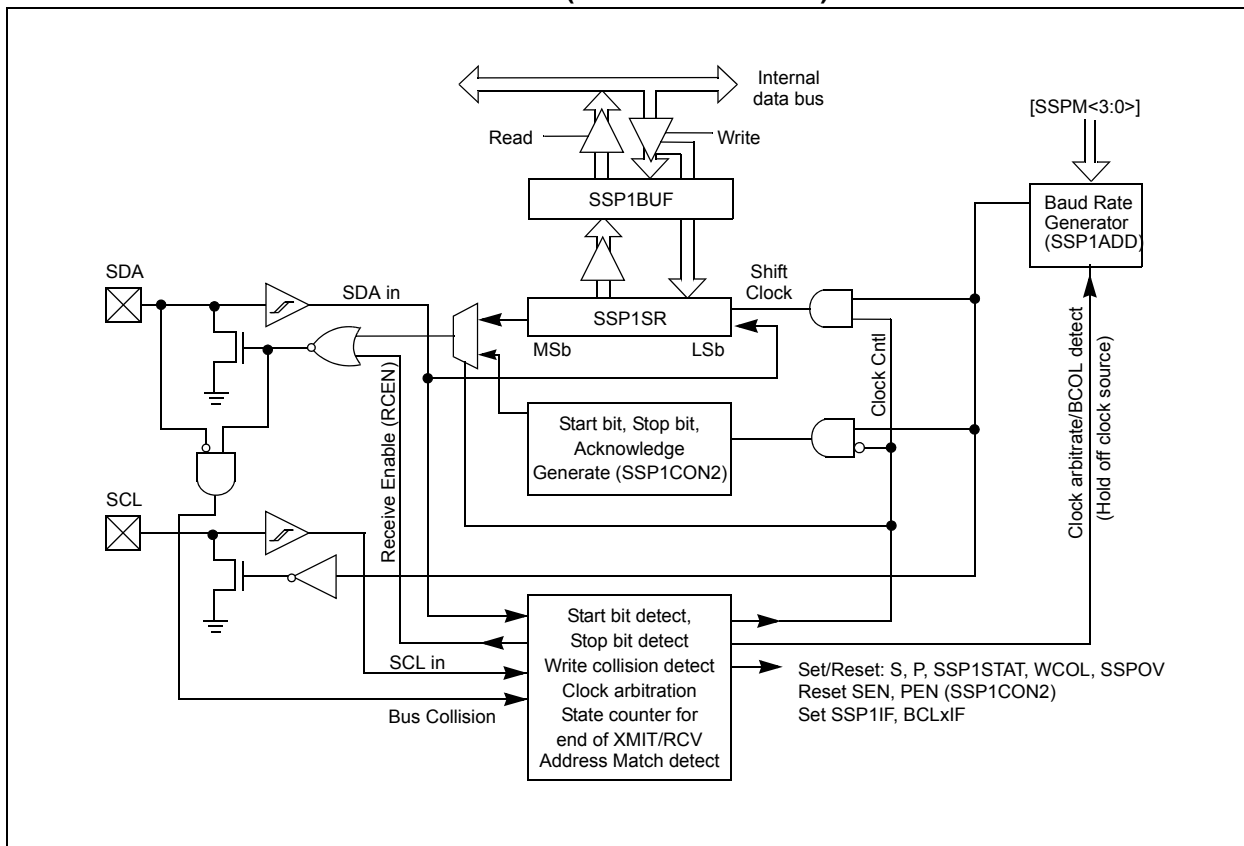
# PIC16(L)F18313/18323

The I<sup>2</sup>C interface supports the following modes and features:

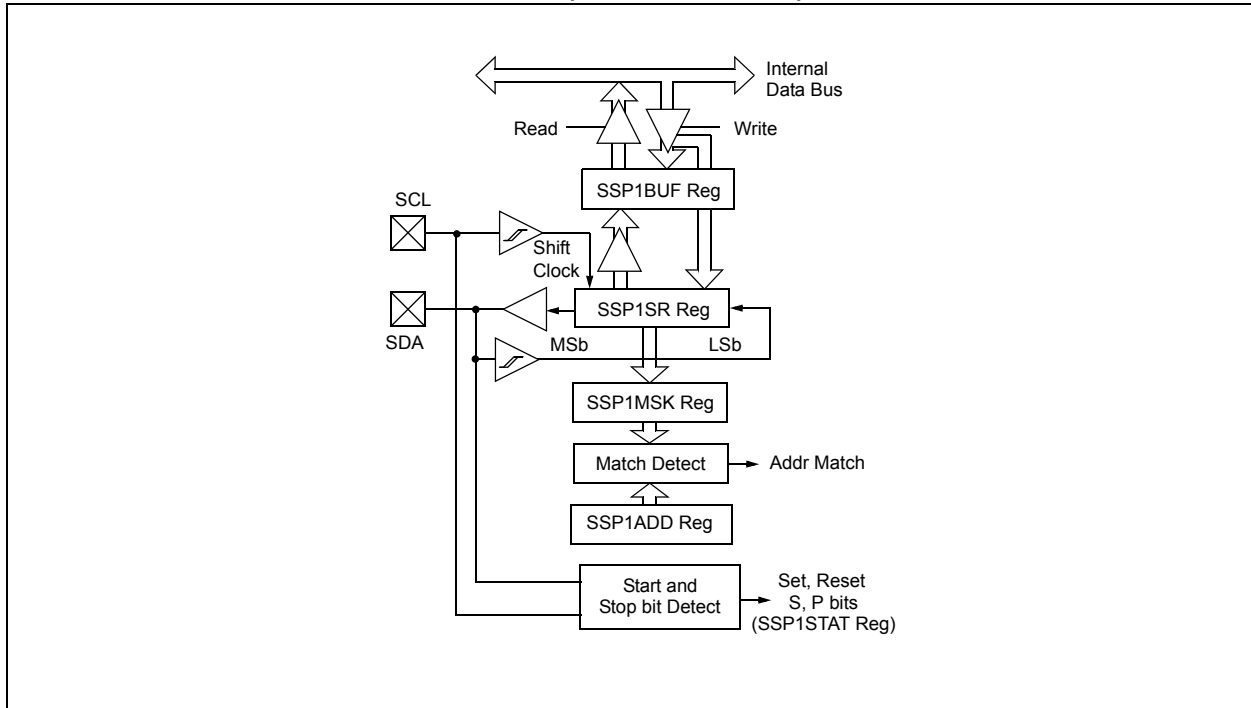
- Master mode
- Slave mode
- Byte NACKing (Slave mode)
- Limited multi-master support
- 7-bit and 10-bit addressing
- Start and Stop interrupts
- Interrupt masking
- Clock stretching
- Bus collision detection
- General call address matching
- Address masking
- Selectable SDA hold times

Figure 30-2 is a block diagram of the I<sup>2</sup>C interface module in Master mode. Figure 30-3 is a diagram of the I<sup>2</sup>C interface module in Slave mode.

**FIGURE 30-2: MSSP BLOCK DIAGRAM (I<sup>2</sup>C MASTER MODE)**



**FIGURE 30-3: MSSP BLOCK DIAGRAM (I<sup>2</sup>C SLAVE MODE)**



# PIC16(L)F18313/18323

---

## 30.2 SPI Mode Overview

The Serial Peripheral Interface (SPI) bus is a synchronous serial data communication bus that operates in Full-Duplex mode. Devices communicate in a master/slave environment where the master device initiates the communication. A slave device is controlled through a Chip Select known as Slave Select.

The SPI bus specifies four signal connections:

- Serial Clock (SCK)
- Serial Data Out (SDO)
- Serial Data In (SDI)
- Slave Select ( $\overline{SS}$ )

Figure 30-1 shows the block diagram of the MSSP1 module when operating in SPI mode.

The SPI bus operates with a single master device and one or more slave devices. When multiple slave devices are used, an independent Slave Select connection can be used to address each slave individually.

Figure 30-4 shows a typical connection between a master device and multiple slave devices.

The master selects only one slave at a time. Most slave devices have tri-state outputs so their output signal appears disconnected from the bus when they are not selected.

Transmissions involve two shift registers, eight bits in size, one in the master and one in the slave. Data is always shifted out one bit at a time, with the Most Significant bit (MSb) shifted out first. At the same time, a new Least Significant bit (LSb) is shifted into the same register.

Figure 30-5 shows a typical connection between two processors configured as master and slave devices.

Data is shifted out of both shift registers on the programmed clock edge and latched on the opposite edge of the clock.

The master device transmits information out on its SDO output pin which is connected to, and received by, the slave's SDI input pin. The slave device transmits information out on its SDO output pin, which is connected to, and received by, the master's SDI input pin.

To begin communication, the master device first sends out the clock signal. Both the master and the slave devices should be configured for the same clock polarity.

The master device starts a transmission by sending out the MSb from its shift register. The slave device reads this bit from that same line and saves it into the LSb position of its shift register.

During each SPI clock cycle, a full-duplex data transmission occurs. This means that while the master device is sending out the MSb from its shift register (on its SDO pin) and the slave device is reading this bit and saving it as the LSb of its shift register, that the slave device is also sending out the MSb from its shift register (on its SDO pin) and the master device is reading this bit and saving it as the LSb of its shift register.

After eight bits have been shifted out, the master and slave have exchanged register values.

If there is more data to exchange, the shift registers are loaded with new data and the process repeats itself.

Whether the data is meaningful or not (dummy data), depends on the application software. This leads to three scenarios for data transmission:

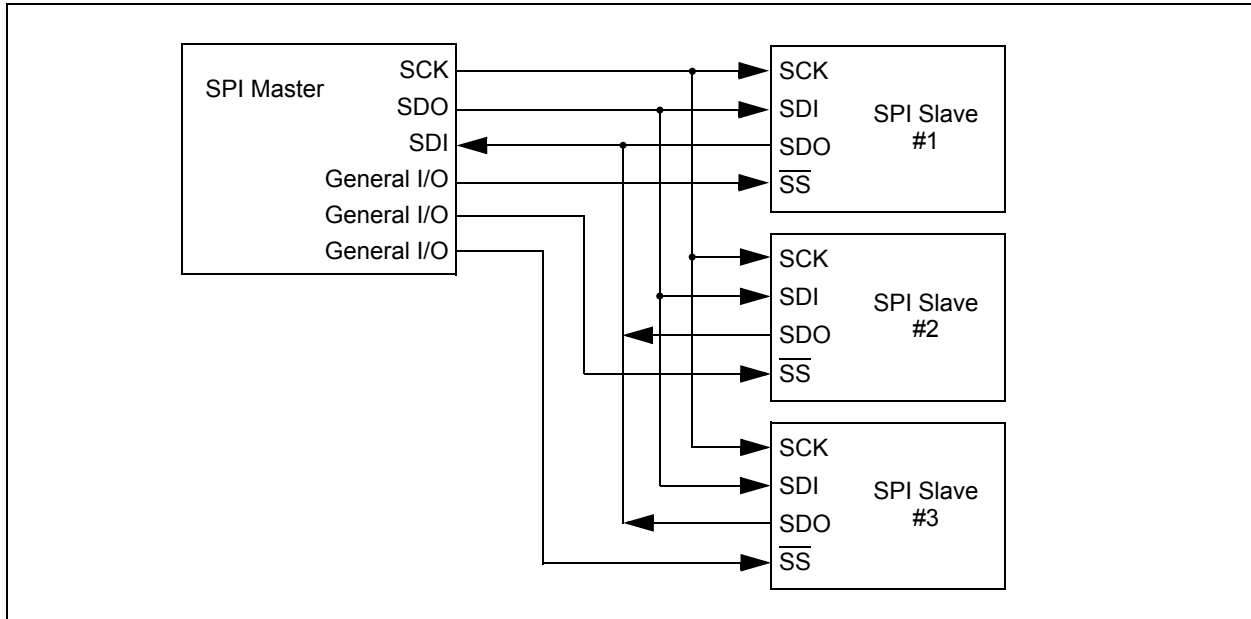
- Master sends useful data and slave sends dummy data.
- Master sends useful data and slave sends useful data.
- Master sends dummy data and slave sends useful data.

Transmissions must be performed in multiples of eight clock pulses. When there is no more data to be transmitted, the master stops sending the clock signal and it deselects the slave.

Every slave device connected to the bus that has not been selected through its slave select line must disregard the clock and transmission signals and must not transmit out any data of its own.



**FIGURE 30-4: SPI MASTER AND MULTIPLE SLAVE CONNECTION**



## 30.2.1 SPI MODE REGISTERS

The MSSP1 module has five registers for SPI mode operation. These are:

- MSSP1 STATUS register (SSP1STAT)
- MSSP1 Control register 1 (SSP1CON1)
- MSSP1 Control register 3 (SSP1CON3)
- MSSP1 Data Buffer register (SSP1BUF)
- MSSP1 Address register (SSP1ADD)
- MSSP1 Shift register (SSP1SR)  
(Not directly accessible)

SSP1CON1 and SSP1STAT are the control and STATUS registers in SPI mode operation. The SSP1CON1 register is readable and writable. The lower six bits of the SSP1STAT are read-only. The upper two bits of the SSP1STAT are read/write.

In one SPI Master mode, SSP1ADD can be loaded with a value used in the Baud Rate Generator. More information on the Baud Rate Generator is available in [Section 30.7 “Baud Rate Generator”](#).

SSP1SR is the shift register used for shifting data in and out. SSP1BUF provides indirect access to the SSP1SR register. SSP1BUF is the buffer register to which data bytes are written, and from which data bytes are read.

In receive operations, SSP1SR and SSP1BUF together create a buffered receiver. When SSP1SR receives a complete byte, it is transferred to SSP1BUF and the SSP1IF interrupt is set.

During transmission, the SSP1BUF is not buffered. A write to SSP1BUF will write to both SSP1BUF and SSP1SR.

## 30.2.2 SPI MODE OPERATION

When initializing the SPI, several options need to be specified. This is done by programming the appropriate control bits (SSP1CON1<3:0> and SSP1STAT<7:6>). These control bits allow the following to be specified:

- Master mode (SCK is the clock output)
- Slave mode (SCK is the clock input)
- Clock Polarity (Idle state of SCK)
- Data Input Sample Phase (middle or end of data output time)
- Clock Edge (output data on rising/falling edge of SCK)
- Clock Rate (Master mode only)
- Slave Select mode (Slave mode only)

To enable the serial port, SSP Enable bit, SSPEN of the SSP1CON1 register, must be set. To reset or reconfigure SPI mode, clear the SSPEN bit, re-initialize the SSP1CONy registers and then set the SSPEN bit. This configures the SDI, SDO, SCK and SS pins as serial port pins. For the pins to behave as the serial port function, some must have their data direction bits (in the TRIS register) appropriately programmed as follows:

- SDI must have corresponding TRIS bit set
- SDO must have corresponding TRIS bit cleared
- SCK (Master mode) must have corresponding TRIS bit cleared
- SCK (Slave mode) must have corresponding TRIS bit set
- SS must have corresponding TRIS bit set

Any serial port function that is not desired may be overridden by programming the corresponding data direction (TRIS) register to the opposite value.

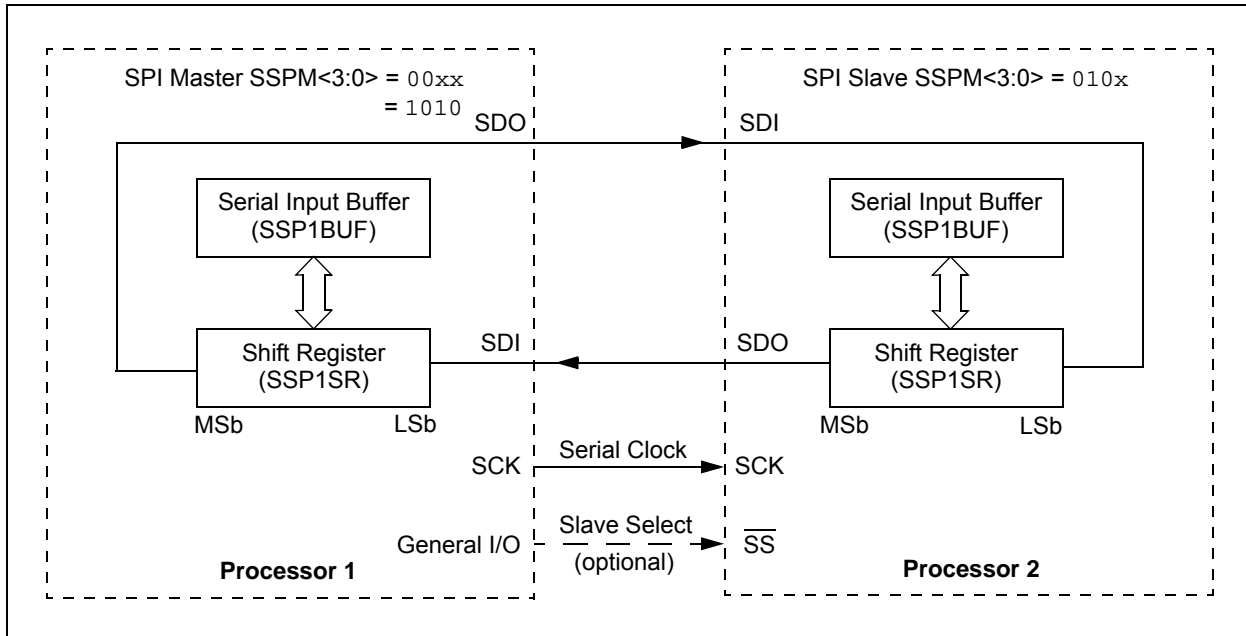
# PIC16(L)F18313/18323

The MSSP1 consists of a transmit/receive shift register (SSP1SR) and a buffer register (SSP1BUF). The SSP1SR shifts the data in and out of the device, MSb first. The SSP1BUF holds the data that was written to the SSP1SR until the received data is ready. Once the eight bits of data have been received, that byte is moved to the SSP1BUF register. Then, the Buffer Full Detect bit, BF of the SSP1STAT register, and the interrupt flag bit, SSP1IF, are set. Any write to the SSP1BUF register during transmission/reception of data will be ignored and the write collision detect bit, WCOL, of the SSP1CON1 register, will be set. User software must clear the WCOL bit to allow the following write(s) to the SSP1BUF register to complete successfully.

When the application software is expecting to receive valid data, the SSP1BUF should be read before the next byte of data to transfer is written to the SSP1BUF. The Buffer Full bit, BF of the SSP1STAT register, indicates when SSP1BUF has been loaded with the received data (transmission is complete). When the SSP1BUF is read, the BF bit is cleared. This data may be irrelevant if the SPI is only a transmitter. Generally, the MSSP interrupt is used to determine when the transmission/reception has completed. If the interrupt method is not going to be used, then software polling can be done to ensure that a write collision does not occur.

The SSP1SR is not directly readable or writable and can only be accessed by addressing the SSP1BUF register.

**FIGURE 30-5: SPI MASTER/SLAVE CONNECTION**



## 30.2.3 SPI MASTER MODE

The master can initiate the data transfer at any time because it controls the SCK line. The master determines when the slave (Processor 2, [Figure 30-5](#)) is to broadcast data by the software protocol.

In Master mode, the data is transmitted/received as soon as the SSP1BUF register is written to. If the SPI is only going to receive, the SDO output could be disabled (programmed as an input). The SSP1SR register will continue to shift in the signal present on the SDI pin at the programmed clock rate. As each byte is received, it will be loaded into the SSP1BUF register as if a normal received byte (interrupts and Status bits appropriately set).

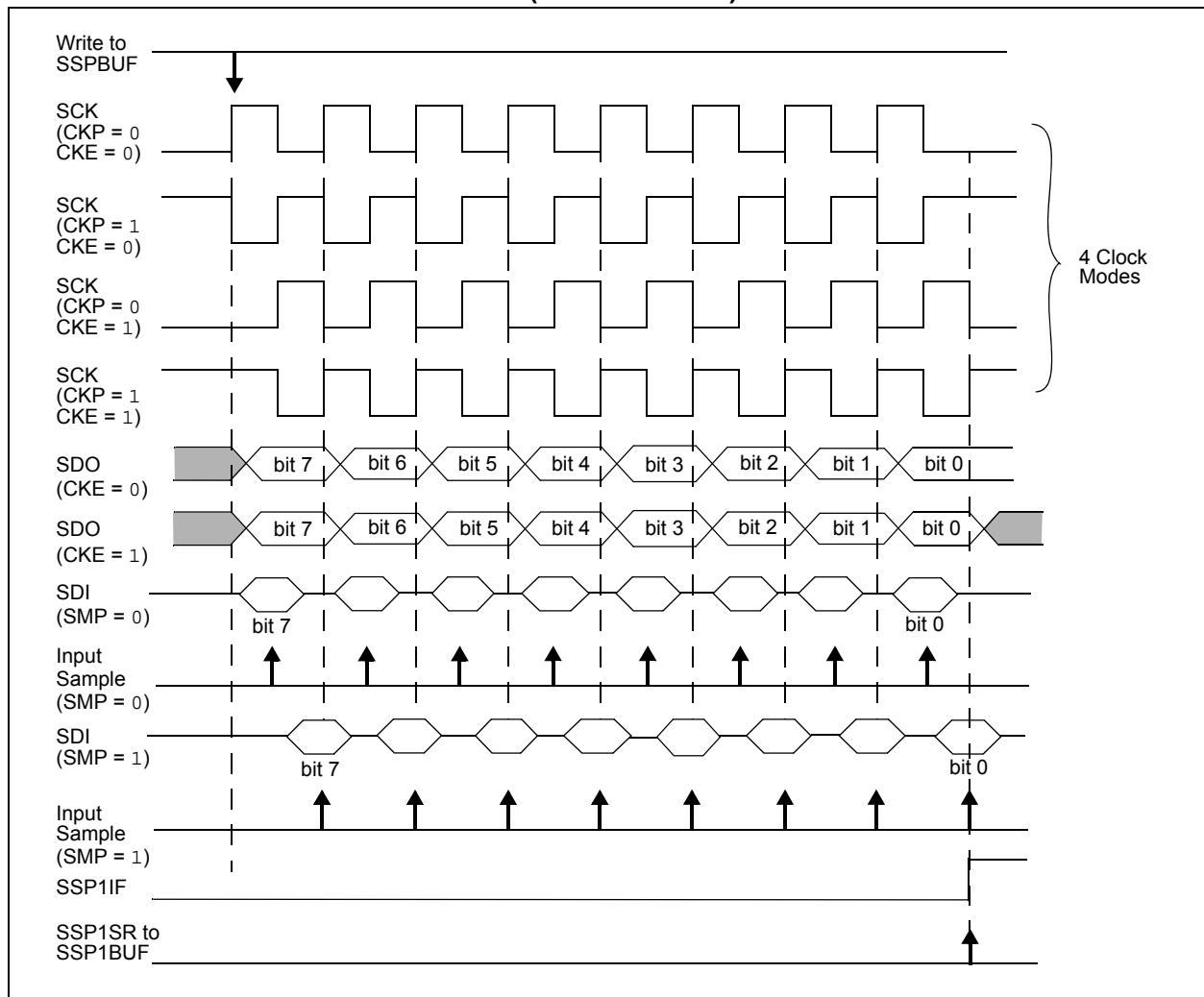
The clock polarity is selected by appropriately programming the CKP bit of the SSP1CON1 register and the CKE bit of the SSP1STAT register. This then, would give waveforms for SPI communication as shown in [Figure 30-6](#), [Figure 30-8](#), [Figure 30-9](#) and [Figure 30-10](#), where the MSB is transmitted first. In Master mode, the SPI clock rate (bit rate) is user programmable to be one of the following:

- $F_{osc}/4$  (or  $T_{CY}$ )
- $F_{osc}/16$  (or  $4 * T_{CY}$ )
- $F_{osc}/64$  (or  $16 * T_{CY}$ )
- Timer2 output/2
- $F_{osc}/(4 * (SSPADD + 1))$

[Figure 30-6](#) shows the waveforms for Master mode.

When the CKE bit is set, the SDO data is valid before there is a clock edge on SCK. The change of the input sample is shown based on the state of the SMP bit. The time when the SSP1BUF is loaded with the received data is shown.

**FIGURE 30-6: SPI MODE WAVEFORM (MASTER MODE)**



# PIC16(L)F18313/18323

## 30.2.4 SPI SLAVE MODE

In Slave mode, the data is transmitted and received as external clock pulses appear on SCK. When the last bit is latched, the SSP1IF interrupt flag bit is set.

Before enabling the module in SPI Slave mode, the clock line must match the proper Idle state. The clock line can be observed by reading the SCK pin. The Idle state is determined by the CKP bit of the SSP1CON1 register.

While in Slave mode, the external clock is supplied by the external clock source on the SCK pin. This external clock must meet the minimum high and low times as specified in the electrical specifications.

While in Sleep mode, the slave can transmit/receive data. The shift register is clocked from the SCK pin input and when a byte is received, the device will generate an interrupt. If enabled, the device will wake-up from Sleep.

### 30.2.4.1 Daisy-Chain Configuration

The SPI bus can sometimes be connected in a daisy-chain configuration. The first slave output is connected to the second slave input, the second slave output is connected to the third slave input, and so on. The final slave output is connected to the master input. Each slave sends out, during a second group of clock pulses, an exact copy of what was received during the first group of clock pulses. The whole chain acts as one large communication shift register. The daisy-chain feature only requires a single Slave Select line from the master device.

Figure 30-7 shows the block diagram of a typical daisy-chain connection when operating in SPI mode.

In a daisy-chain configuration, only the most recent byte on the bus is required by the slave. Setting the BOEN bit of the SSP1CON3 register will enable writes to the SSP1BUF register, even if the previous byte has not been read. This allows the software to ignore data that may not apply to it.

## 30.2.5 SLAVE SELECT SYNCHRONIZATION

The Slave Select can also be used to synchronize communication. The Slave Select line is held high until the master device is ready to communicate. When the Slave Select line is pulled low, the slave knows that a new transmission is starting.

If the slave fails to receive the communication properly, it will be reset at the end of the transmission, when the Slave Select line returns to a high state. The slave is then ready to receive a new transmission when the Slave Select line is pulled low again. If the Slave Select line is not used, there is a risk that the slave will eventually become out of sync with the master. If the slave misses a bit, it will always be one bit off in future transmissions. Use of the Slave Select line allows the slave and master to align themselves at the beginning of each transmission.

The  $\overline{SS}$  pin allows a Synchronous Slave mode. The SPI must be in Slave mode with  $\overline{SS}$  pin control enabled (SSP1CON1<3:0> = 0100).

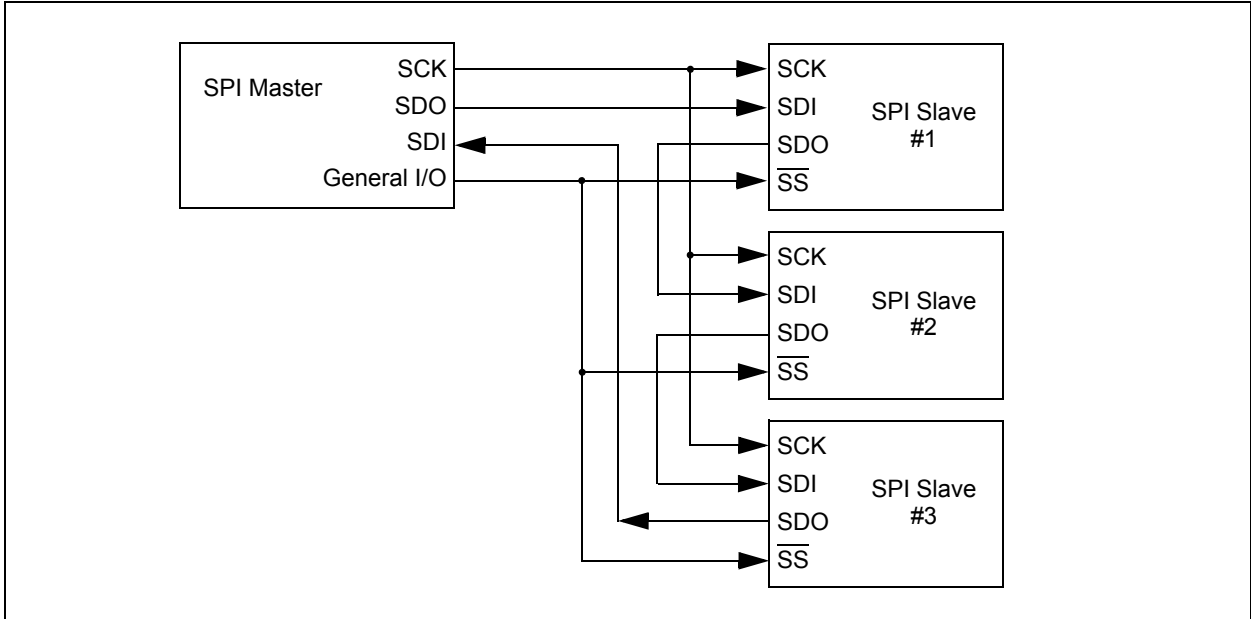
When the  $\overline{SS}$  pin is low, transmission and reception are enabled and the SDO pin is driven.

When the  $\overline{SS}$  pin goes high, the SDO pin is no longer driven, even if in the middle of a transmitted byte and becomes a floating output. External pull-up/pull-down resistors may be desirable depending on the application.

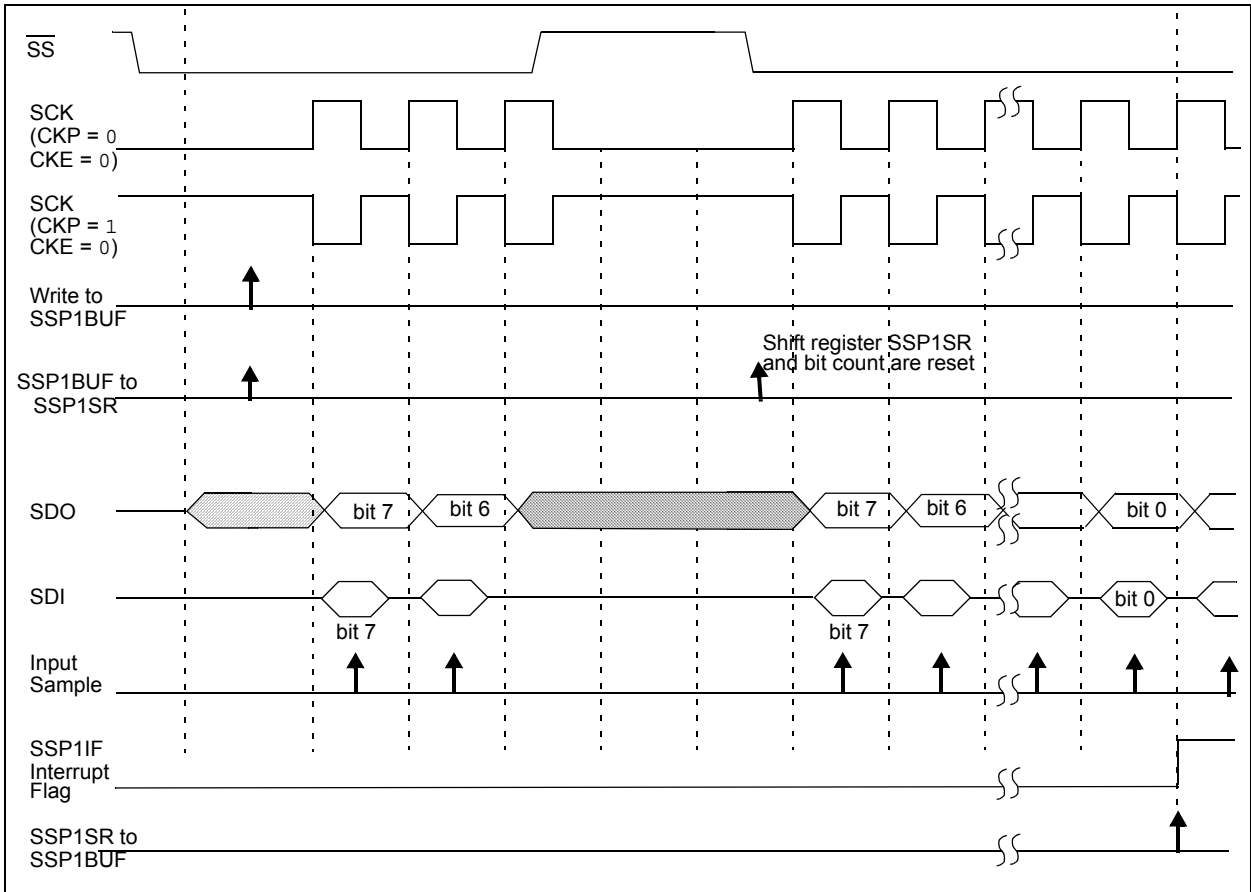
- |                                                                                                                                                                                                                                                                                                                                                                                                                                                               |
|---------------------------------------------------------------------------------------------------------------------------------------------------------------------------------------------------------------------------------------------------------------------------------------------------------------------------------------------------------------------------------------------------------------------------------------------------------------|
| <p><b>Note 1:</b> When the SPI is in Slave mode with <math>\overline{SS}</math> pin control enabled (SSP1CON1&lt;3:0&gt; = 0100), the SPI module will reset if the <math>\overline{SS}</math> pin is set to VDD.</p> <p><b>2:</b> When the SPI is used in Slave mode with CKE set; the user must enable <math>\overline{SS}</math> pin control.</p> <p><b>3:</b> While operated in SPI Slave mode the SMP bit of the SSP1STAT register must remain clear.</p> |
|---------------------------------------------------------------------------------------------------------------------------------------------------------------------------------------------------------------------------------------------------------------------------------------------------------------------------------------------------------------------------------------------------------------------------------------------------------------|

When the SPI module resets, the bit counter is forced to '0'. This can be done by either forcing the  $\overline{SS}$  pin to a high level or clearing the SSPEN bit.

**FIGURE 30-7: SPI DAISY-CHAIN CONNECTION**

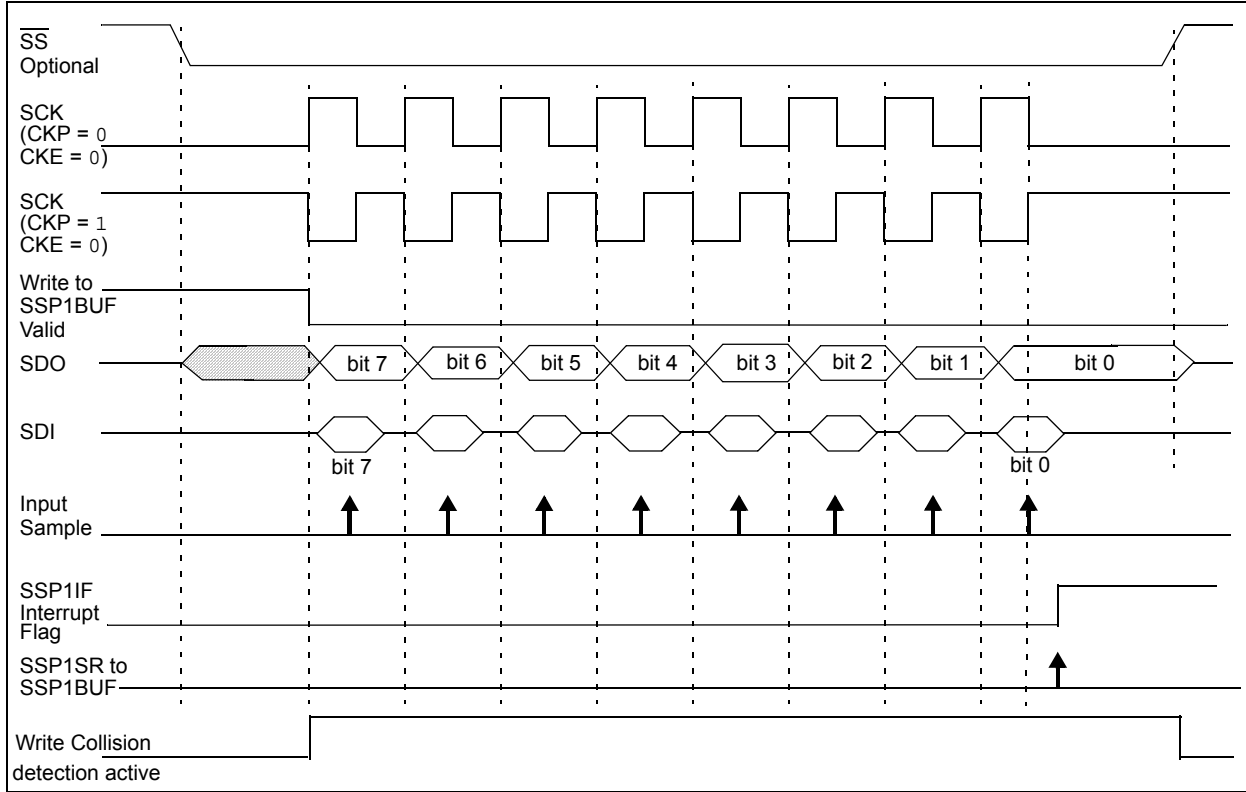


**FIGURE 30-8: SLAVE SELECT SYNCHRONOUS WAVEFORM**

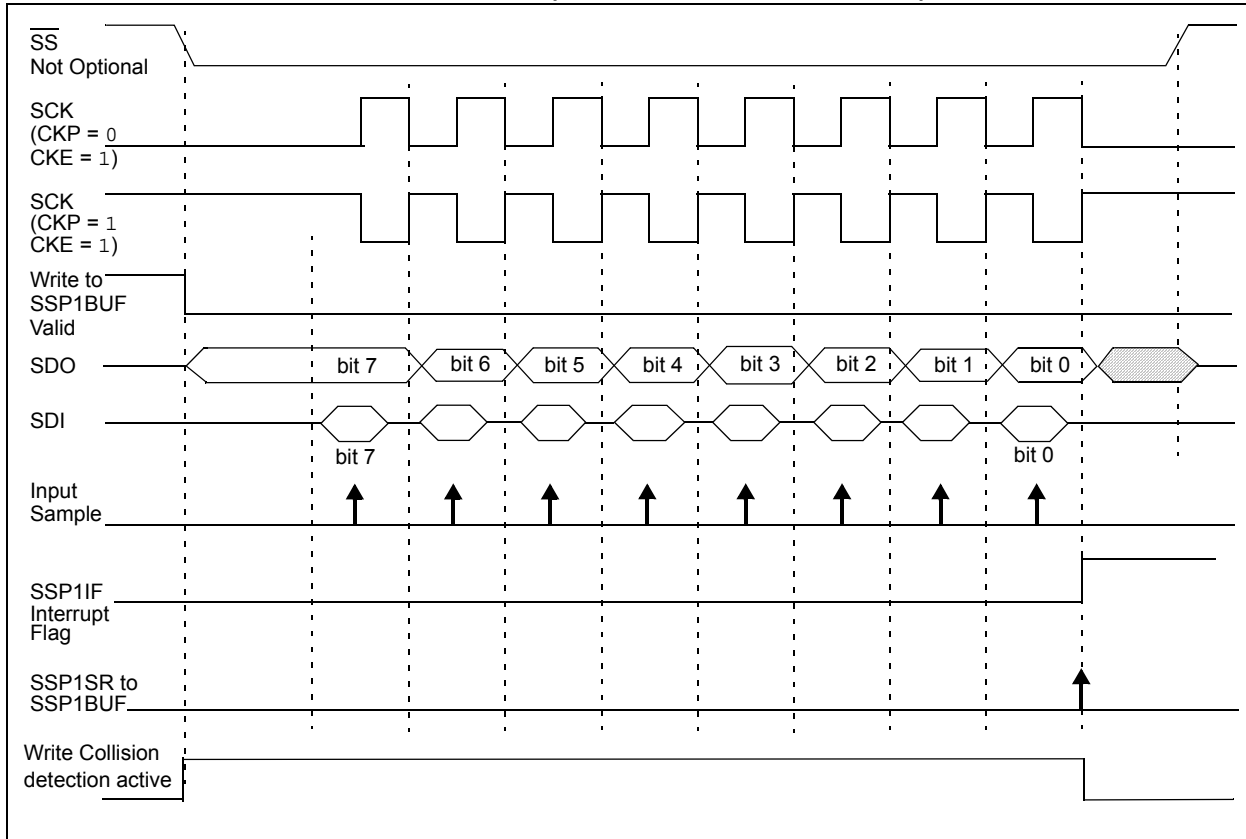


# PIC16(L)F18313/18323

**FIGURE 30-9: SPI MODE WAVEFORM (SLAVE MODE WITH CKE = 0)**



**FIGURE 30-10: SPI MODE WAVEFORM (SLAVE MODE WITH CKE = 1)**



## 30.2.6 SPI OPERATION IN SLEEP MODE

In SPI Master mode, when the Sleep mode is selected, all module clocks are halted and the transmission/reception will remain in that state until the device wakes. After the device returns to Run mode, the module will resume transmitting and receiving data.

In SPI Slave mode, the SPI Transmit/Receive Shift register operates asynchronously to the device. This allows the device to be placed in Sleep mode and data to be shifted into the SPI Transmit/Receive Shift register. When all eight bits have been received, the MSSP interrupt flag bit will be set and if enabled, will wake the device.

## 30.3 I<sup>2</sup>C Mode Overview

The Inter-Integrated Circuit (I<sup>2</sup>C) bus is a multi-master serial data communication bus. Devices communicate in a master/slave environment where the master devices initiate the communication. A slave device is controlled through addressing.

The I<sup>2</sup>C bus specifies two signal connections:

- Serial Clock (SCL)
- Serial Data (SDA)

Figure 30-2 and Figure 30-3 show the block diagrams of the MSSP1 module when operating in I<sup>2</sup>C mode.

Both the SCL and SDA connections are bidirectional open-drain lines, each requiring pull-up resistors for the supply voltage. Pulling the line to ground is considered a logical zero and letting the line float is considered a logical one.

Figure 30-11 shows a typical connection between two processors configured as master and slave devices.

The I<sup>2</sup>C bus can operate with one or more master devices and one or more slave devices.

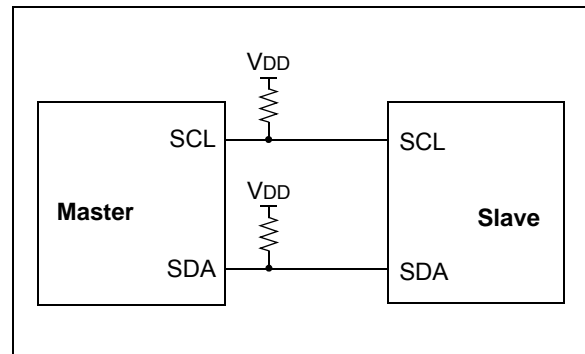
There are four potential modes of operation for a given device:

- Master Transmit mode (master is transmitting data to a slave)
- Master Receive mode (master is receiving data from a slave)
- Slave Transmit mode (slave is transmitting data to a master)
- Slave Receive mode (slave is receiving data from the master)

To begin communication, the master device sends out a Start condition followed by the address byte of the slave it intends to communicate with. This is followed by a single Read/Write bit, which determines whether the master intends to transmit to or receive data from the slave device.

If the requested slave exists on the bus, it will respond with an Acknowledge bit, otherwise known as an ACK. The master then continues to either transmit or receive data from the slave.

**FIGURE 30-11: I<sup>2</sup>C MASTER/SLAVE CONNECTION**



# PIC16(L)F18313/18323

---

On the last byte of data communicated, the master device may end the transmission by sending a Stop bit. If the master device is in Receive mode, it sends a NACK in place of the last ACK bit. A Stop bit is indicated by a low-to-high transition of the SDA line while the SCL line is held high.

In some cases, the master may want to maintain control of the bus and re-initiate another transmission. If so, the master device may send a Restart condition in place of the Stop bit or last ACK bit when it is in Receive mode.

The I<sup>2</sup>C bus specifies three message protocols;

- Single message where a master writes data to a slave.
- Single message where a master reads data from a slave.
- Combined message where a master initiates a minimum of two writes, or two reads, or a combination of writes and reads, to one or more slaves.

## 30.3.1 CLOCK STRETCHING

When a slave device has not completed processing data, it can delay the transfer of more data through the process of clock stretching. An addressed slave device may hold the SCL clock line low after receiving or sending a bit, indicating that it is not yet ready to continue. The master that is communicating with the slave will attempt to raise the SCL line in order to transfer the next bit, but will detect that the clock line has not yet been released. Because the SCL connection is open-drain, the slave has the ability to hold that line low until it is ready to continue communicating.

Clock stretching allows receivers that cannot keep up with a transmitter to control the flow of incoming data.

## 30.3.2 ARBITRATION

Each master device must monitor the bus for Start and Stop bits. If the device detects that the bus is busy, it cannot begin a new message until the bus returns to an Idle state.

However, two master devices may try to initiate a transmission on or about the same time. When this occurs, the process of arbitration begins. Each transmitter checks the level of the SDA data line and compares it to the level that it expects to find. The first transmitter to observe that the two levels do not match, loses arbitration, and must stop transmitting on the SDA line.

For example, if one transmitter holds the SDA line to a logical one (lets it float) and a second transmitter holds it to a logical zero (pulls it low), the result is that the SDA line will be low. The first transmitter then observes that the level of the line is different than expected and concludes that another transmitter is communicating.

The first transmitter to notice this difference is the one that loses arbitration and must stop driving the SDA line. If this transmitter is also a master device, it also must stop driving the SCL line. It then can monitor the lines for a Stop condition before trying to reissue its transmission. In the meantime, the other device that has not noticed any difference between the expected and actual levels on the SDA line continues with its original transmission.

Slave Transmit mode can also be arbitrated, when a master addresses multiple slaves, but this is less common.



## 30.4 I<sup>2</sup>C MODE OPERATION

All MSSP I<sup>2</sup>C communication is byte oriented and shifted out MSb first. Six SFR registers and two interrupt flags interface the module with the PIC<sup>®</sup> microcontroller and user software. Two pins, SDA and SCL, are exercised by the module to communicate with other external I<sup>2</sup>C devices.

### 30.4.1 BYTE FORMAT

All communication in I<sup>2</sup>C is done in 9-bit segments. A byte is sent from a master to a slave or vice-versa, followed by an Acknowledge bit sent back. After the eighth falling edge of the SCL line, the device outputting data on the SDA changes that pin to an input and reads in an acknowledge value on the next clock pulse.

The clock signal, SCL, is provided by the master. Data is valid to change while the SCL signal is low, and sampled on the rising edge of the clock. Changes on the SDA line while the SCL line is high define special conditions on the bus, explained below.

### 30.4.2 DEFINITION OF I<sup>2</sup>C TERMINOLOGY

There is language and terminology in the description of I<sup>2</sup>C communication that have definitions specific to I<sup>2</sup>C. That word usage is defined below and may be used in the rest of this document without explanation. This table was adapted from the Philips I<sup>2</sup>C specification.

### 30.4.3 SDA AND SCL PINS

When selecting any I<sup>2</sup>C mode, the SCL and SDA pins should be set by the user to inputs by setting the appropriate TRIS bits.

**Note:** Any device pin can be selected for SDA and SCL functions with the PPS peripheral. These functions are bidirectional. The SDA input is selected with the SSPDATPPS registers. The SCL input is selected with the SSPCLKPPS registers. Outputs are selected with the RxyPPS registers. It is the user's responsibility to make the selections so that both the input and the output for each function is on the same pin.

### 30.4.4 SDA HOLD TIME

The hold time of the SDA pin is selected by the SDAHT bit of the SSP1CON3 register. Hold time is the time SDA is held valid after the falling edge of SCL. Setting the SDAHT bit selects a longer 300 ns minimum hold time and may help on buses with large capacitance.

**TABLE 30-1: I<sup>2</sup>C BUS TERMS**

TERM	Description
Transmitter	The device which shifts data out onto the bus.
Receiver	The device which shifts data in from the bus.
Master	The device that initiates a transfer, generates clock signals and terminates a transfer.
Slave	The device addressed by the master.
Multi-master	A bus with more than one device that can initiate data transfers.
Arbitration	Procedure to ensure that only one master at a time controls the bus. Winning arbitration ensures that the message is not corrupted.
Synchronization	Procedure to synchronize the clocks of two or more devices on the bus.
Idle	No master is controlling the bus, and both SDA and SCL lines are high.
Active	Any time one or more master devices are controlling the bus.
Addressed Slave	Slave device that has received a matching address and is actively being clocked by a master.
Matching Address	Address byte that is clocked into a slave that matches the value stored in SSPADD.
Write Request	Slave receives a matching address with R/W bit clear, and is ready to clock in data.
Read Request	Master sends an address byte with the R/W bit set, indicating that it wishes to clock data out of the Slave. This data is the next and all following bytes until a Restart or Stop.
Clock Stretching	When a device on the bus hold SCL low to stall communication.
Bus Collision	Any time the SDA line is sampled low by the module while it is outputting and expected high state.

# PIC16(L)F18313/18323

## 30.4.5 START CONDITION

The I<sup>2</sup>C specification defines a Start condition as a transition of SDA from a high to a low state while SCL line is high. A Start condition is always generated by the master and signifies the transition of the bus from an Idle to an Active state. Figure 30-12 shows wave forms for Start and Stop conditions.

## 30.4.6 STOP CONDITION

A Stop condition is a transition of the SDA line from low-to-high state while the SCL line is high.

**Note:** At least one SCL low time must appear before a Stop is valid, therefore, if the SDA line goes low then high again while the SCL line stays high, only the Start condition is detected.

## 30.4.7 RESTART CONDITION

A Restart is valid any time that a Stop would be valid. A master can issue a Restart if it wishes to hold the bus after terminating the current transfer. A Restart has the same effect on the slave that a Start would, resetting all slave logic and preparing it to clock in an address. The master may want to address the same or another slave. Figure 30-13 shows the wave form for a Restart condition.

In 10-bit Addressing Slave mode a Restart is required for the master to clock data out of the addressed slave. Once a slave has been fully addressed, matching both high and low address bytes, the master can issue a Restart and the high address byte with the R/W bit set. The slave logic will then hold the clock and prepare to clock out data.

## 30.4.8 START/STOP CONDITION INTERRUPT MASKING

The SCIE and PCIE bits of the SSP1CON3 register can enable the generation of an interrupt in Slave modes that do not typically support this function. Slave modes where interrupt on Start and Stop detect are already enabled, these bits will have no effect.

FIGURE 30-12: I<sup>2</sup>C START AND STOP CONDITIONS

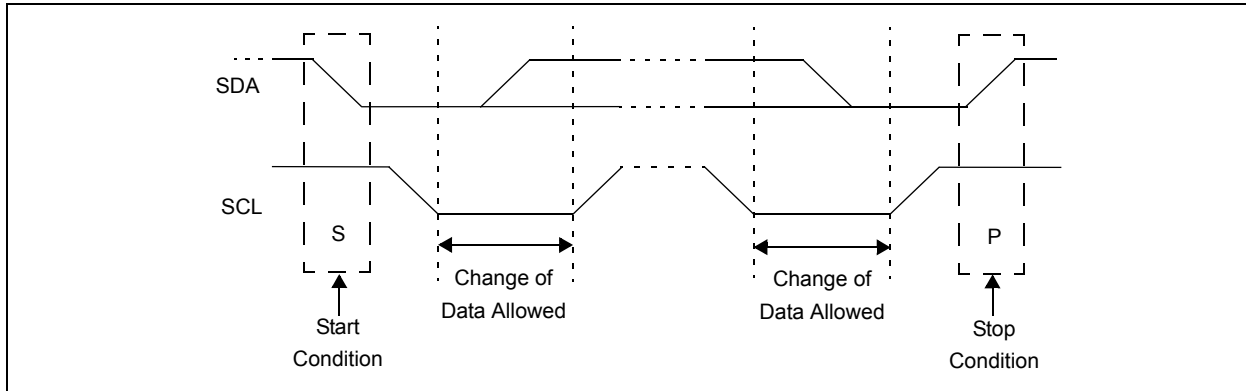
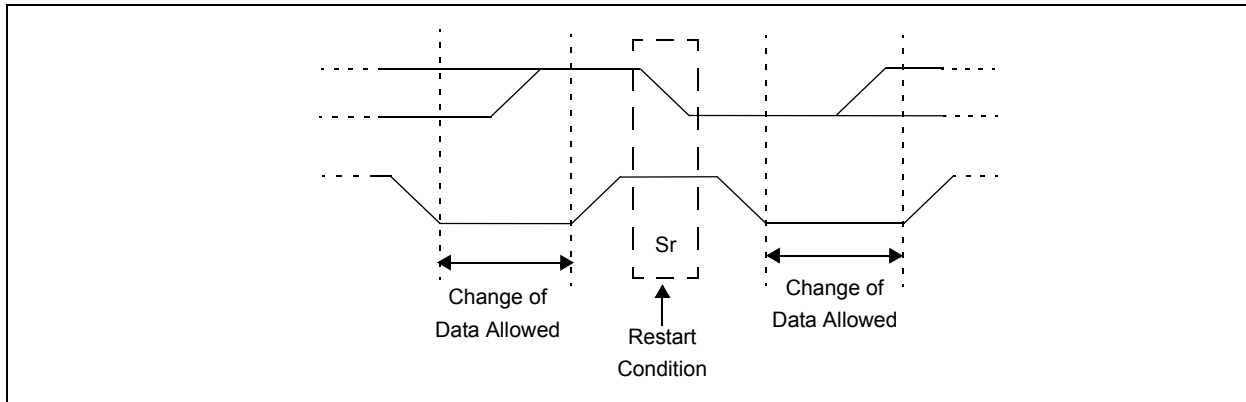


FIGURE 30-13: I<sup>2</sup>C RESTART CONDITION



## 30.4.9 ACKNOWLEDGE SEQUENCE

The ninth SCL pulse for any transferred byte in I<sup>2</sup>C is dedicated as an Acknowledge. It allows receiving devices to respond back to the transmitter by pulling the SDA line low. The transmitter must release control of the line during this time to shift in the response. The Acknowledge ( $\overline{\text{ACK}}$ ) is an active-low signal, pulling the SDA line low indicates to the transmitter that the device has received the transmitted data and is ready to receive more.

The result of an  $\overline{\text{ACK}}$  is placed in the ACKSTAT bit of the SSP1CON2 register.

Slave software, when the AHEN and DHEN bits are set, the clock is stretched, allowing the slave time to change the  $\overline{\text{ACK}}$  value before it is sent back to the transmitter. The ACKDT bit of the SSP1CON2 register is set/cleared to determine the response.

There are certain conditions where an  $\overline{\text{ACK}}$  will not be sent by the slave. If the BF bit of the SSP1STAT register or the SSPOV bit of the SSP1CON1 register are set when a byte is received.

When the module is addressed, after the eighth falling edge of SCL on the bus, the ACKTIM bit of the SSP1CON3 register is set. The ACKTIM bit indicates the acknowledge time of the active bus. The ACKTIM Status bit is only active when the AHEN bit or DHEN bit is enabled.

## 30.5 I<sup>2</sup>C SLAVE MODE OPERATION

The MSSP Slave mode operates in one of four modes selected by the SSPM bits of SSP1CON1 register. The modes can be divided into 7-bit and 10-bit Addressing mode. 10-bit Addressing modes operate the same as 7-bit with some additional overhead for handling the larger addresses.

Modes with Start and Stop bit interrupts operate the same as the other modes with SSP1IF additionally getting set upon detection of a Start, Restart, or Stop condition.

### 30.5.1 SLAVE MODE ADDRESSES

The SSP1ADD register ([Register 30-6](#)) contains the Slave mode address. The first byte received after a Start or Restart condition is compared against the value stored in this register. If the byte matches, the value is loaded into the SSP1BUF register and an interrupt is generated. If the value does not match, the module goes idle and no indication is given to the software that anything happened.

The SSP Mask register ([Register 30-5](#)) affects the address matching process. See [Section 30.5.9 “SSP Mask Register”](#) for more information.

#### 30.5.1.1 I<sup>2</sup>C Slave 7-bit Addressing Mode

In 7-bit Addressing mode, the LSB of the received data byte is ignored when determining if there is an address match.

#### 30.5.1.2 I<sup>2</sup>C Slave 10-bit Addressing Mode

In 10-bit Addressing mode, the first received byte is compared to the binary value of ‘1 1 1 0 A9 A8 0’. A9 and A8 are the two MSb’s of the 10-bit address and stored in bits 2 and 1 of the SSP1ADD register.

After the acknowledge of the high byte the UA bit is set and SCL is held low until the user updates SSP1ADD with the low address. The low address byte is clocked in and all eight bits are compared to the low address value in SSP1ADD. Even if there is not an address match; SSP1IF and UA are set, and SCL is held low until SSP1ADD is updated to receive a high byte again. When SSP1ADD is updated the UA bit is cleared. This ensures the module is ready to receive the high address byte on the next communication.

A high and low address match as a write request is required at the start of all 10-bit addressing communication. A transmission can be initiated by issuing a Restart once the slave is addressed, and clocking in the high address with the R/W bit set. The slave hardware will then acknowledge the read request and prepare to clock out data. This is only valid for a slave after it has received a complete high and low address byte match.

# PIC16(L)F18313/18323

## 30.5.2 SLAVE RECEPTION

When the  $\overline{R/W}$  bit of a matching received address byte is clear, the  $R/W$  bit of the SSP1STAT register is cleared. The received address is loaded into the SSP1BUF register and acknowledged.

When the Overflow condition exists for a received address, then not Acknowledge is given. An Overflow condition is defined as either bit BF of the SSP1STAT register is set, or bit SSPOV of the SSP1CON1 register is set. The BOEN bit of the SSP1CON3 register modifies this operation. For more information see [Register 30-4](#).

An MSSP interrupt is generated for each transferred data byte. Flag bit, SSP1IF, must be cleared by software.

When the SEN bit of the SSP1CON2 register is set, SCL will be held low (clock stretch) following each received byte. The clock must be released by setting the CKP bit of the SSP1CON1 register.

### 30.5.2.1 7-bit Addressing Reception

This section describes a standard sequence of events for the MSSP1 module configured as an I<sup>2</sup>C slave in 7-bit Addressing mode. [Figure 30-14](#) and [Figure 30-15](#) is used as a visual reference for this description.

This is a step-by-step process of what typically must be done to accomplish I<sup>2</sup>C communication.

1. Start bit detected.
2. S bit of SSP1STAT is set; SSP1IF is set if interrupt on Start detect is enabled.
3. Matching address with  $\overline{R/W}$  bit clear is received.
4. The slave pulls SDA low sending an  $\overline{ACK}$  to the master, and sets SSP1IF bit.
5. Software clears the SSP1IF bit.
6. Software reads received address from SSP1BUF clearing the BF flag.
7. If SEN = 1; Slave software sets CKP bit to release the SCL line.
8. The master clocks out a data byte.
9. Slave drives SDA low sending an  $\overline{ACK}$  to the master, and sets SSP1IF bit.
10. Software clears SSP1IF.
11. Software reads the received byte from SSP1BUF clearing BF.
12. Steps 8-12 are repeated for all received bytes from the master.
13. Master sends Stop condition, setting P bit of SSP1STAT, and the bus goes idle.

### 30.5.2.2 7-bit Reception with AHEN and DHEN

Slave device reception with AHEN and DHEN set operate the same as without these options with extra interrupts and clock stretching added after the eighth falling edge of SCL. These additional interrupts allow time for the slave software to decide whether it wants to  $\overline{ACK}$  the receive address or data byte.

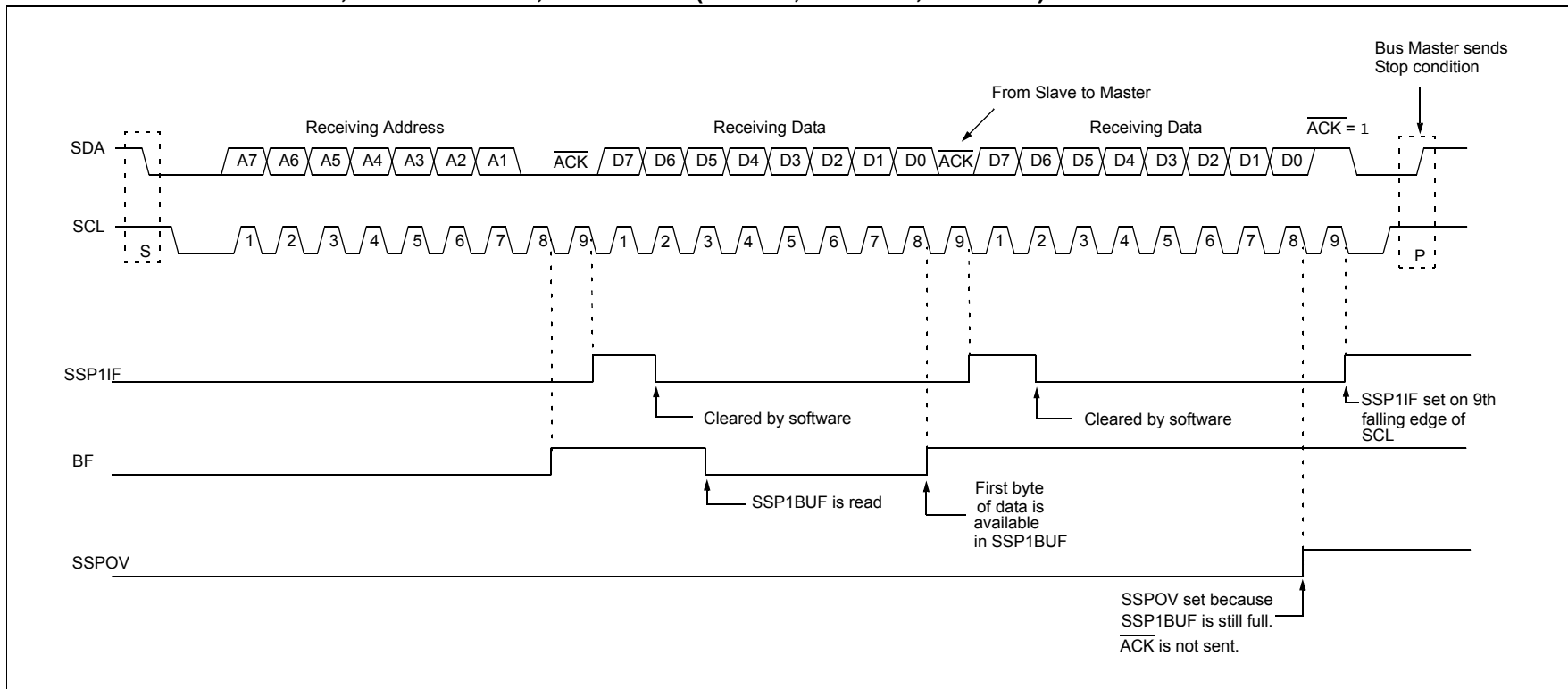
This list describes the steps that need to be taken by slave software to use these options for I<sup>2</sup>C communication. [Figure 30-16](#) displays a module using both address and data holding. [Figure 30-17](#) includes the operation with the SEN bit of the SSP1CON2 register set.

1. S bit of SSP1STAT is set; SSP1IF is set if interrupt on Start detect is enabled.
2. Matching address with  $\overline{R/W}$  bit clear is clocked in. SSP1IF is set and CKP cleared by hardware after the eighth falling edge of SCL.
3. Slave clears the SSP1IF.
4. Slave can look at the ACKTIM bit of the SSP1CON3 register to determine if the SSP1IF was after or before the  $\overline{ACK}$ .
5. Slave reads the address value from SSP1BUF, clearing the BF flag.
6. Slave sets  $\overline{ACK}$  value clocked out to the master by setting ACKDT.
7. Slave software releases the clock by setting CKP.
8. SSP1IF is set after an  $\overline{ACK}$ , not after a NACK.
9. If SEN = 1 the slave hardware will stretch the clock after the  $\overline{ACK}$ .
10. Slave clears SSP1IF.

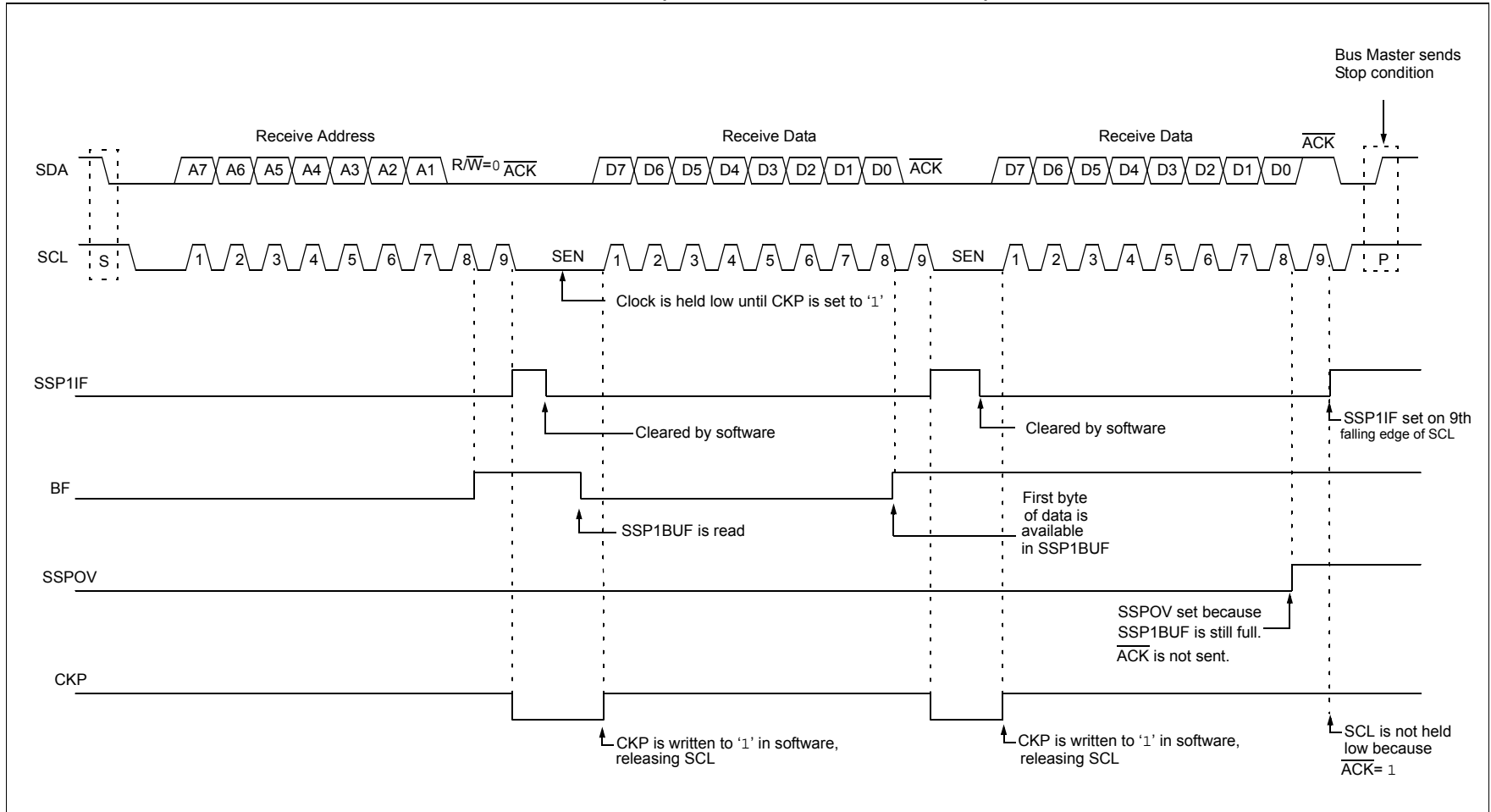
**Note:** SSP1IF is still set after the ninth falling edge of SCL even if there is no clock stretching and BF has been cleared. Only if NACK is sent to master is SSP1IF not set

11. SSP1IF set, and CKP is cleared by hardware after eighth falling edge of SCL for a received data byte.
12. Slave looks at ACKTIM bit of SSP1CON3 to determine the source of the interrupt.
13. Slave reads the received data from SSP1BUF clearing BF.
14. Steps 7-14 are the same for each received data byte.
15. Communication is ended by either the slave sending an  $\overline{ACK} = 1$ , or the master sending a Stop condition. If a Stop is sent and Interrupt on Stop Detect is disabled, the slave will only know by polling the P bit of the SSP1STAT register.

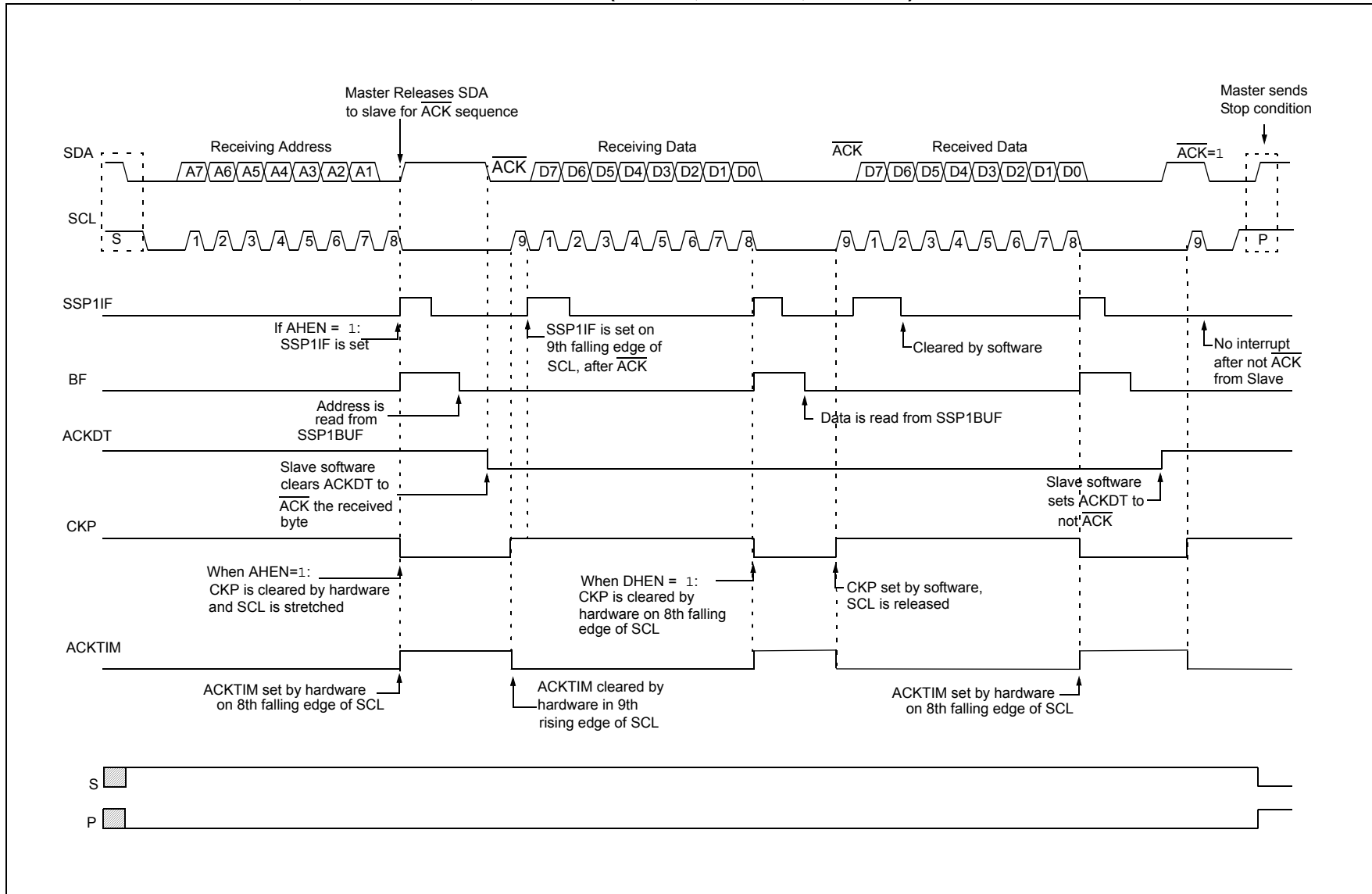
**FIGURE 30-14: I<sup>2</sup>C SLAVE, 7-BIT ADDRESS, RECEPTION (SEN = 0, AHEN = 0, DHEN = 0)**



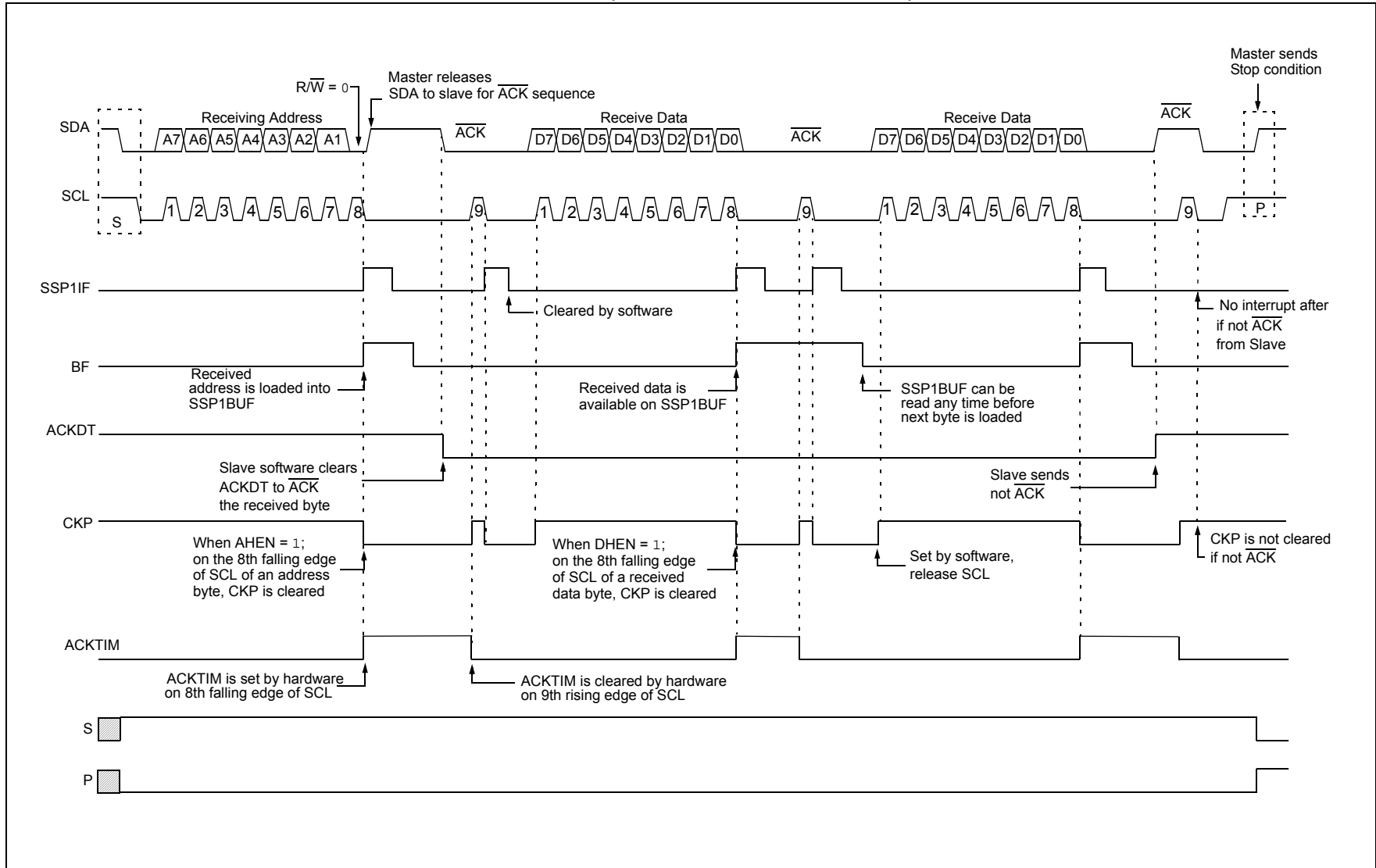
**FIGURE 30-15: I<sup>2</sup>C SLAVE, 7-BIT ADDRESS, RECEPTION (SEN = 1, AHEN = 0, DHEN = 0)**



**FIGURE 30-16: I<sup>2</sup>C SLAVE, 7-BIT ADDRESS, RECEPTION (SEN = 0, AHEN = 1, DHEN = 1)**



**FIGURE 30-17: I<sup>2</sup>C SLAVE, 7-BIT ADDRESS, RECEPTION (SEN = 1, AHEN = 1, DHEN = 1)**





## 30.5.3 SLAVE TRANSMISSION

When the  $\overline{R/W}$  bit of the incoming address byte is set and an address match occurs, the  $\overline{R/W}$  bit of the SSP1STAT register is set. The received address is loaded into the SSP1BUF register, and an  $\overline{ACK}$  pulse is sent by the slave on the ninth bit.

Following the  $\overline{ACK}$ , slave hardware clears the CKP bit and the SCL pin is held low (see [Section 30.5.6 “Clock Stretching”](#) for more detail). By stretching the clock, the master will be unable to assert another clock pulse until the slave is done preparing the transmit data.

The transmit data must be loaded into the SSP1BUF register which also loads the SSP1SR register. Then the SCL pin should be released by setting the CKP bit of the SSP1CON1 register. The eight data bits are shifted out on the falling edge of the SCL input. This ensures that the SDA signal is valid during the SCL high time.

The  $\overline{ACK}$  pulse from the master-receiver is latched on the rising edge of the ninth SCL input pulse. This  $\overline{ACK}$  value is copied to the ACKSTAT bit of the SSP1CON2 register. If ACKSTAT is set (not  $\overline{ACK}$ ), then the data transfer is complete. When the not  $\overline{ACK}$  is latched by the slave, the slave goes idle and waits for another occurrence of the Start bit. If the SDA line was low ( $\overline{ACK}$ ), the next transmit data must be loaded into the SSP1BUF register. Again, the SCL pin must be released by setting bit CKP.

An MSSP interrupt is generated for each data transfer byte. The SSP1IF bit must be cleared by software and the SSP1STAT register is used to determine the status of the byte. The SSP1IF bit is set on the falling edge of the ninth clock pulse.

### 30.5.3.1 Slave Mode Bus Collision

A slave receives a Read request and begins shifting data out on the SDA line. If a bus collision is detected and the SBCDE bit of the SSP1CON3 register is set, the BCLIF bit of the PIR register is set. Once a bus collision is detected, the slave goes idle and waits to be addressed again. User software can use the BCLIF bit to handle a slave bus collision.

### 30.5.3.2 7-bit Transmission

A master device can transmit a read request to a slave, and then clock data out of the slave. The list below outlines what software for a slave will need to do to accomplish a standard transmission. [Figure 30-18](#) can be used as a reference to this list.

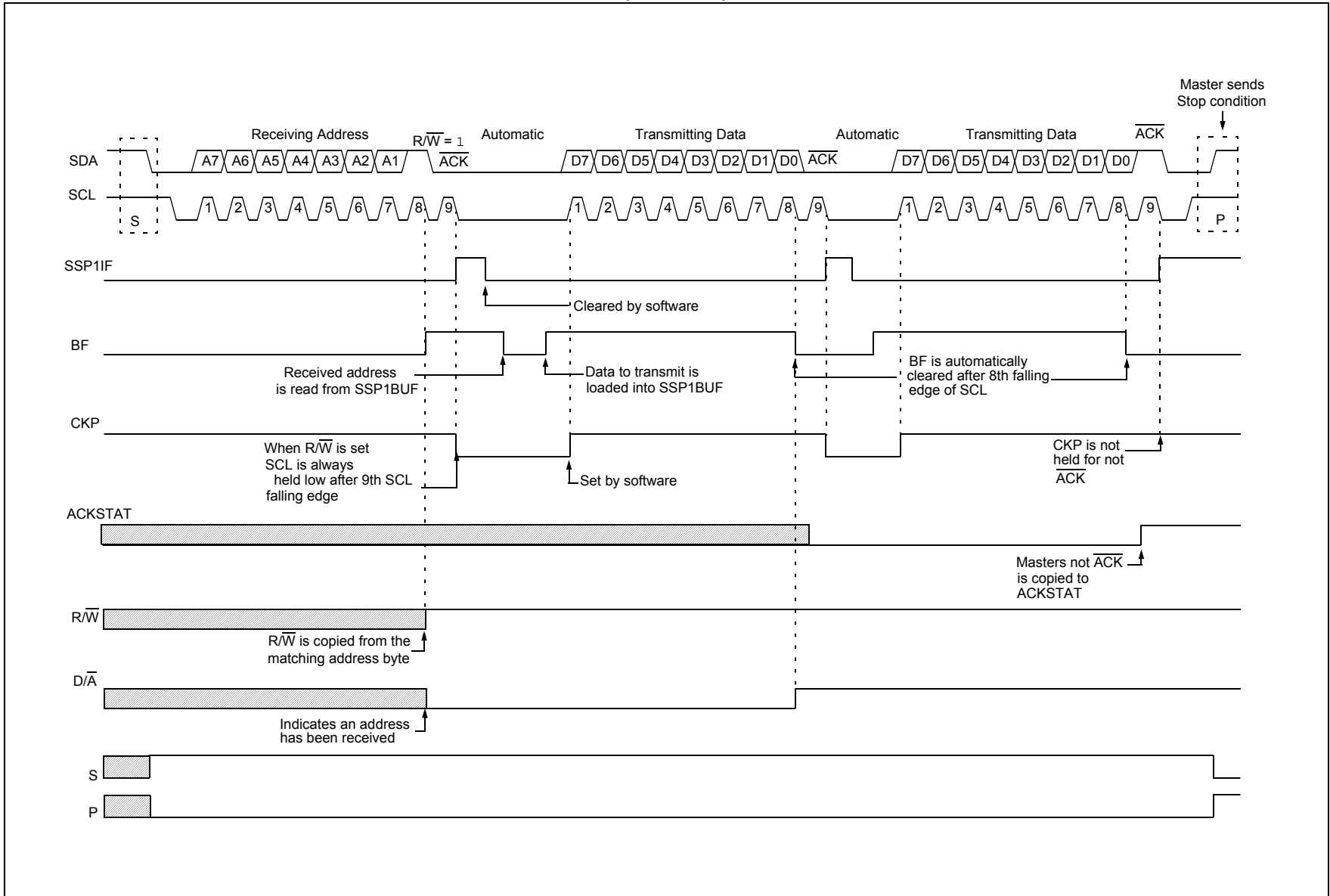
1. Master sends a Start condition on SDA and SCL.
2. S bit of SSP1STAT is set; SSP1IF is set if interrupt on Start detect is enabled.
3. Matching address with  $\overline{R/W}$  bit set is received by the Slave setting SSP1IF bit.
4. Slave hardware generates an  $\overline{ACK}$  and sets SSP1IF.
5. SSP1IF bit is cleared by software.
6. Software reads the received address from SSP1BUF, clearing BF.
7.  $\overline{R/W}$  is set so CKP was automatically cleared by hardware after the  $\overline{ACK}$ .
8. The slave software loads the transmit data into SSP1BUF.
9. CKP bit is set by software, releasing SCL, allowing the master to clock the data out of the slave.
10. SSP1IF is set after the  $\overline{ACK}$  response from the master is loaded into the ACKSTAT bit
11. SSP1IF bit is cleared.
12. The slave software checks the ACKSTAT bit to see if the master wants to clock out more data.

**Note 1:** If the master  $\overline{ACK}$ s the clock will be stretched.

**2:** ACKSTAT is the only bit updated on the rising edge of SCL (9th) rather than the falling.

13. Steps 9-13 are repeated for each transmitted byte.
14. If the master sends a not  $\overline{ACK}$ ; the clock is not held, but SSP1IF is still set.
15. The master sends a Restart condition or a Stop.
16. The slave is no longer addressed.

**FIGURE 30-18: I<sup>2</sup>C SLAVE, 7-BIT ADDRESS, TRANSMISSION (AHEN = 0)**



## 30.5.3.3 7-bit Transmission with Address Hold Enabled

Setting the AHEN bit of the SSP1CON3 register enables additional clock stretching and interrupt generation after the eighth falling edge of a received matching address. Once a matching address has been clocked in, CKP is cleared and the SSP1IF interrupt is set.

Figure 30-19 displays a standard waveform of a 7-bit address slave transmission with AHEN enabled.

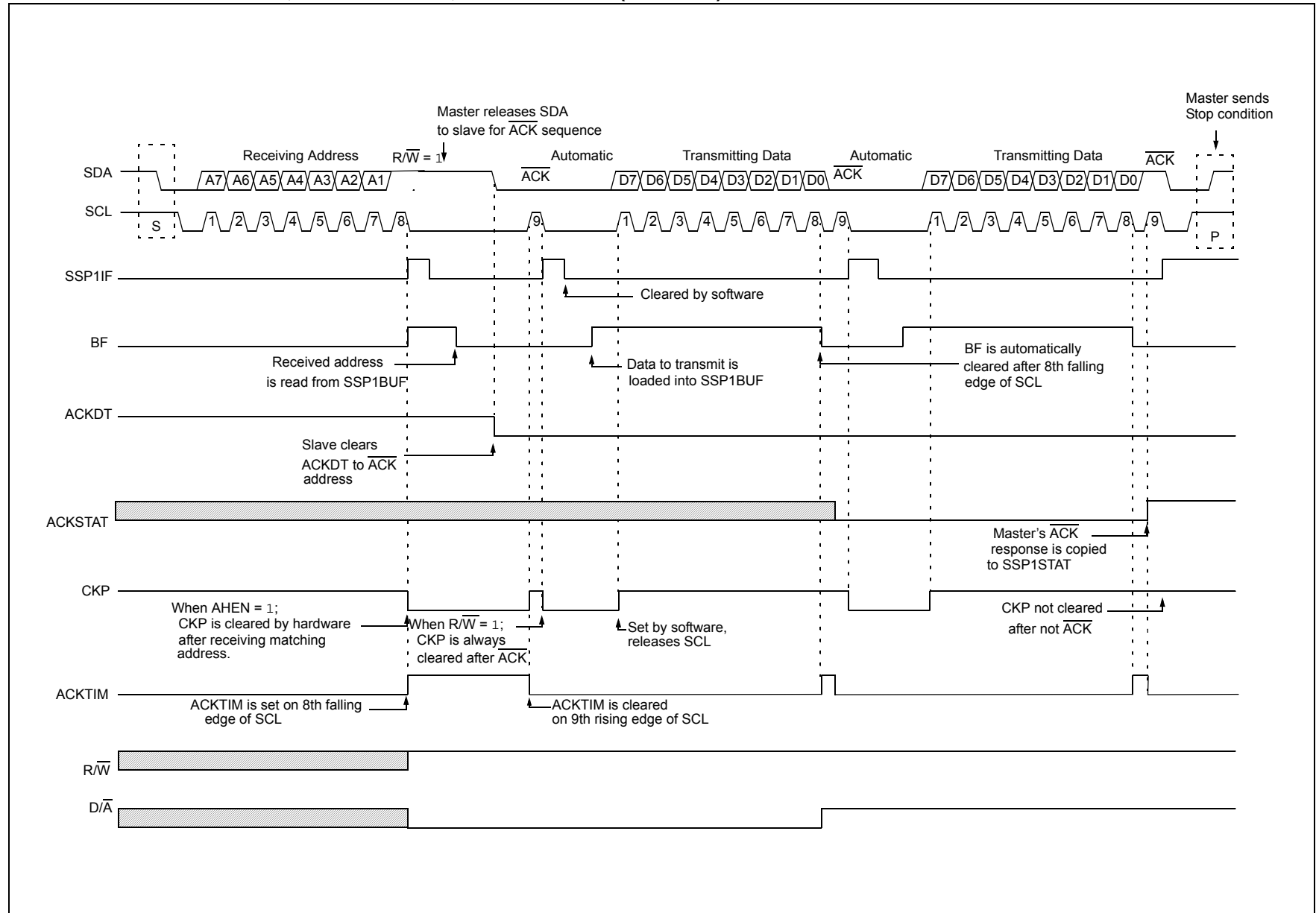
1. Bus starts Idle.
2. Master sends Start condition; the S bit of SSP1STAT is set; SSP1IF is set if interrupt on Start detect is enabled.
3. Master sends matching address with  $\overline{R/W}$  bit set. After the eighth falling edge of the SCL line the CKP bit is cleared by hardware and SSP1IF interrupt is generated.
4. Slave software clears SSP1IF.
5. Slave software reads ACKTIM bit of SSP1CON3 register, and  $\overline{R/W}$  and D/A of the SSP1STAT register to determine the source of the interrupt.
6. Slave reads the address value from the SSP1BUF register clearing the BF bit.
7. Slave software decides from this information if it wishes to ACK or not ACK and sets the ACKDT bit of the SSP1CON2 register accordingly.
8. Slave software sets the  $\overline{CKP}$  bit releasing SCL.
9. Master clocks in the  $\overline{ACK}$  value from the slave.
10. Slave hardware automatically clears the CKP bit and sets SSP1IF after the  $\overline{ACK}$  if the  $\overline{R/W}$  bit is set.
11. Slave software clears SSP1IF.
12. Slave loads value to transmit to the master into SSP1BUF setting the BF bit.

**Note:** SSP1BUF cannot be loaded until after the  $\overline{ACK}$ .

13. Slave software sets the CKP bit releasing the clock.
14. Master clocks out the data from the slave and sends an  $\overline{ACK}$  value on the ninth SCL pulse.
15. Slave hardware copies the  $\overline{ACK}$  value into the ACKSTAT bit of the SSP1CON2 register.
16. Steps 10-15 are repeated for each byte transmitted to the master from the slave.
17. If the master sends a not  $\overline{ACK}$  the slave releases the bus allowing the master to send a Stop and end the communication.

**Note:** Master must send a not  $\overline{ACK}$  on the last byte to ensure that the slave releases the SCL line to receive a Stop.

**FIGURE 30-19: I<sup>2</sup>C SLAVE, 7-BIT ADDRESS, TRANSMISSION (AHEN = 1)**



## 30.5.4 SLAVE MODE 10-BIT ADDRESS RECEPTION

This section describes a standard sequence of events for the MSSP1 module configured as an I<sup>2</sup>C slave in 10-bit Addressing mode.

Figure 30-20 is used as a visual reference for this description.

This is a step-by-step process of what must be done by slave software to accomplish I<sup>2</sup>C communication.

1. Bus starts Idle.
2. Master sends Start condition; S bit of SSP1STAT is set; SSP1IF is set if interrupt on Start detect is enabled.
3. Master sends matching high address with  $\overline{R/W}$  bit clear; UA bit of the SSP1STAT register is set.
4. Slave sends  $\overline{ACK}$  and SSP1IF is set.
5. Software clears the SSP1IF bit.
6. Software reads received address from SSP1BUF clearing the BF flag.
7. Slave loads low address into SSP1ADD, releasing SCL.
8. Master sends matching low address byte to the slave; UA bit is set.

**Note:** Updates to the SSP1ADD register are not allowed until after the  $\overline{ACK}$  sequence.

9. Slave sends  $\overline{ACK}$  and SSP1IF is set.

**Note:** If the low address does not match, SSP1IF and UA are still set so that the slave software can set SSP1ADD back to the high address. BF is not set because there is no match. CKP is unaffected.

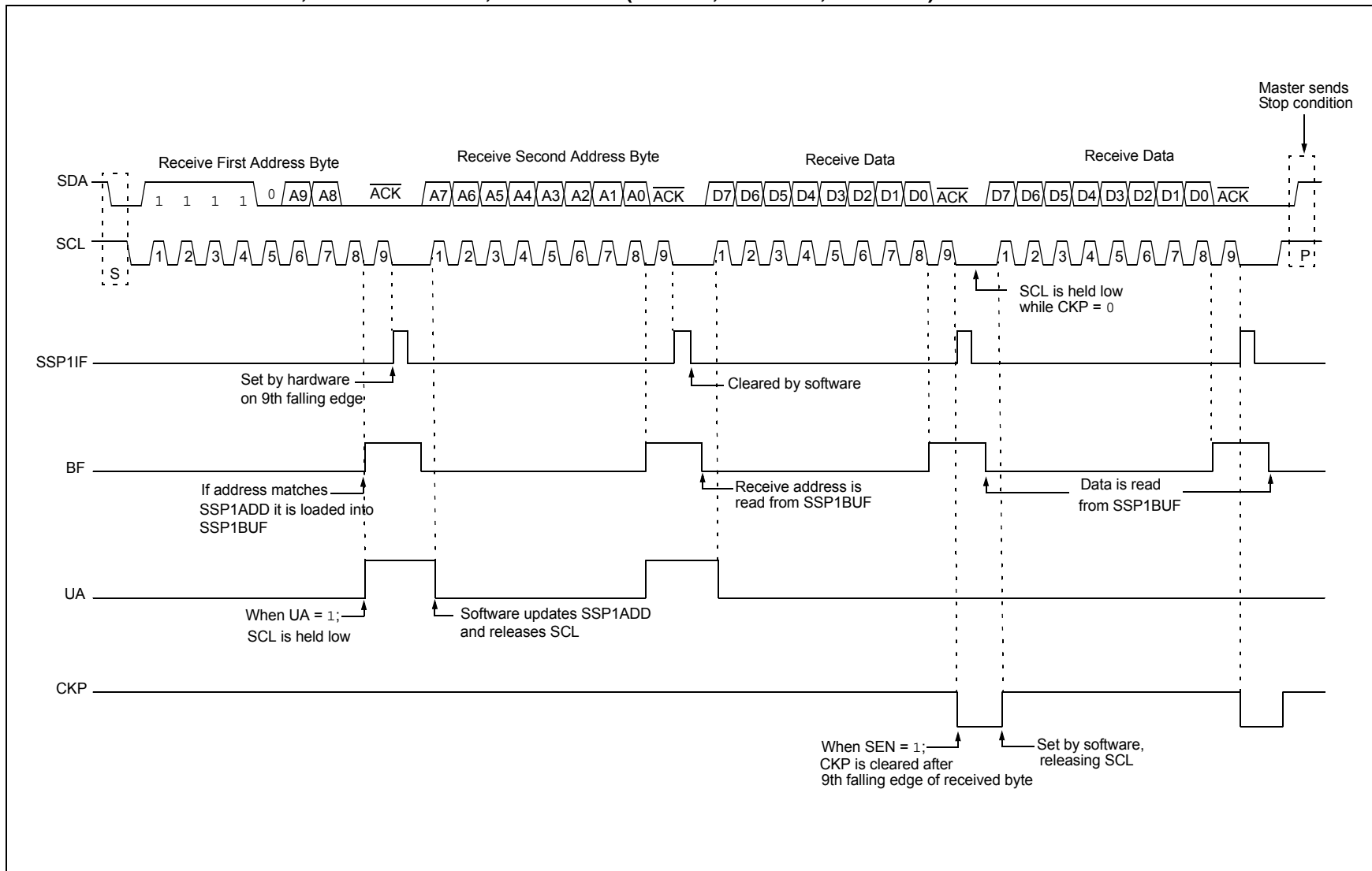
10. Slave clears SSP1IF.
11. Slave reads the received matching address from SSP1BUF clearing BF.
12. Slave loads high address into SSP1ADD.
13. Master clocks a data byte to the slave and clocks out the slaves  $\overline{ACK}$  on the ninth SCL pulse; SSP1IF is set.
14. If SEN bit of SSP1CON2 is set, CKP is cleared by hardware and the clock is stretched.
15. Slave clears SSP1IF.
16. Slave reads the received byte from SSP1BUF clearing BF.
17. If SEN is set the slave software sets CKP to release the SCL.
18. Steps 13-17 repeat for each received byte.
19. Master sends Stop to end the transmission.

## 30.5.5 10-BIT ADDRESSING WITH ADDRESS OR DATA HOLD

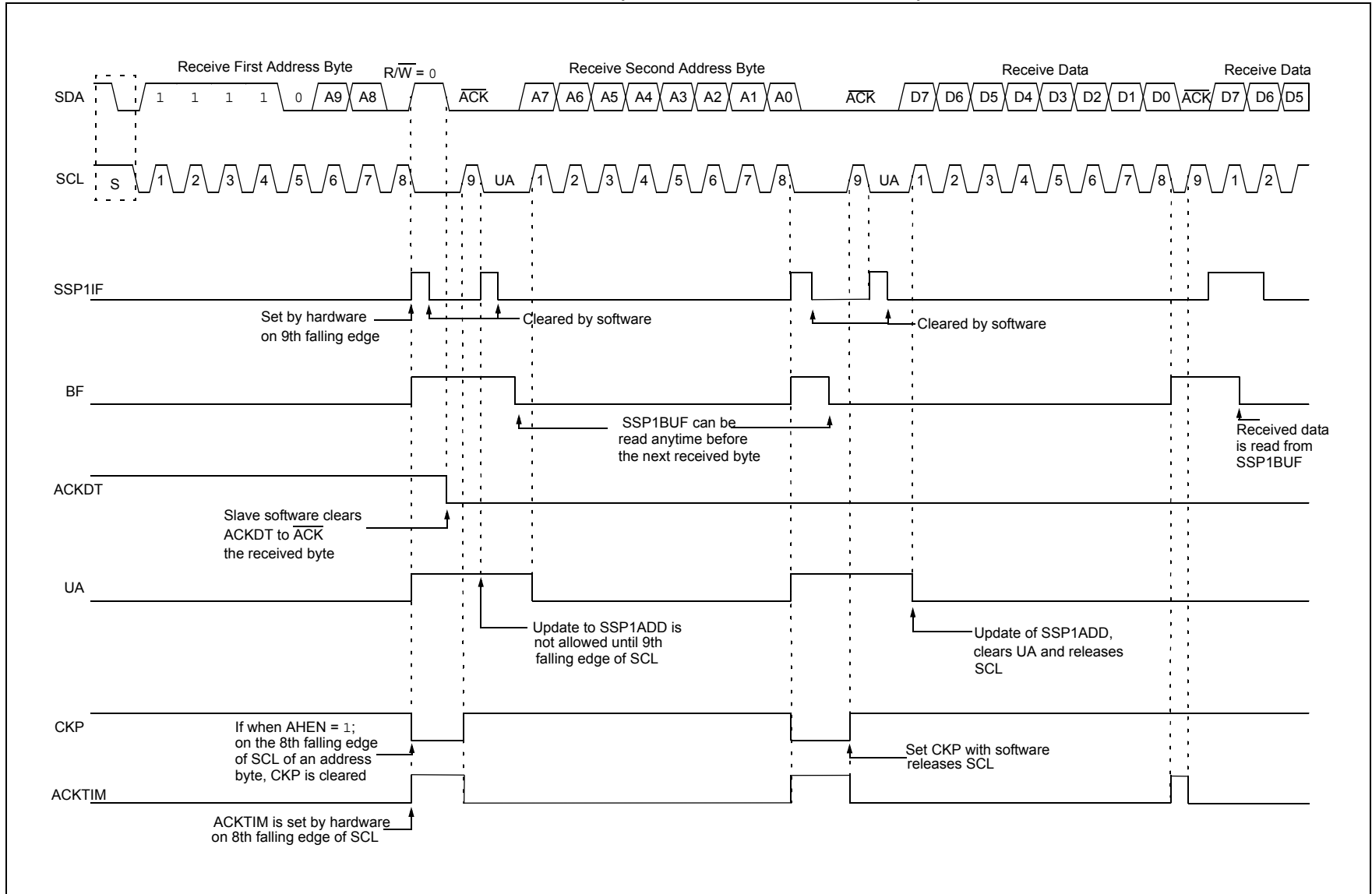
Reception using 10-bit addressing with AHEN or DHEN set is the same as with 7-bit modes. The only difference is the need to update the SSP1ADD register using the UA bit. All functionality, specifically when the CKP bit is cleared and SCL line is held low are the same. Figure 30-21 can be used as a reference of a slave in 10-bit addressing with AHEN set.

Figure 30-22 shows a standard waveform for a slave transmitter in 10-bit Addressing mode.

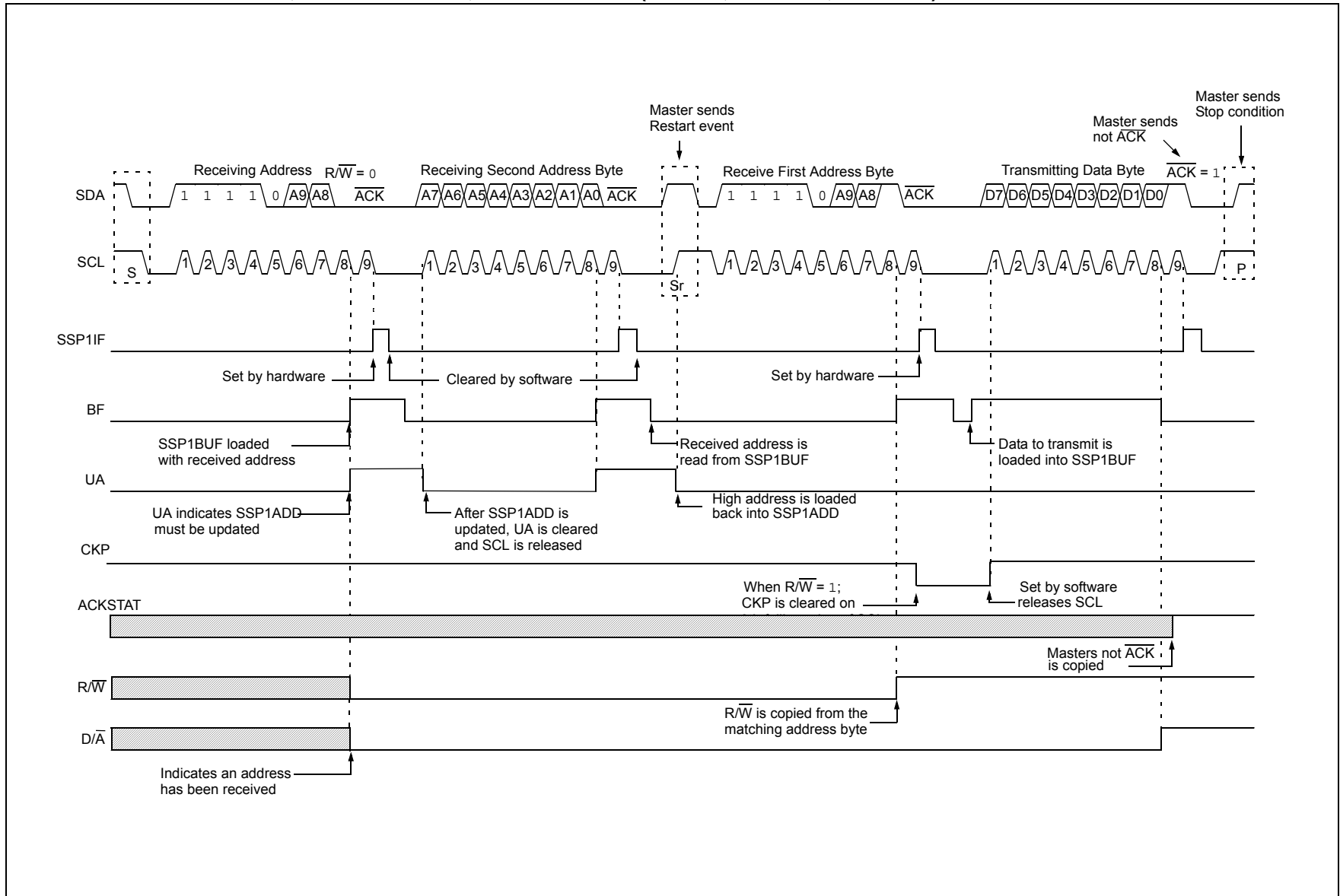
**FIGURE 30-20: I<sup>2</sup>C SLAVE, 10-BIT ADDRESS, RECEPTION (SEN = 1, AHEN = 0, DHEN = 0)**



**FIGURE 30-21: I<sup>2</sup>C SLAVE, 10-BIT ADDRESS, RECEPTION (SEN = 0, AHEN = 1, DHEN = 0)**



**FIGURE 30-22: I<sup>2</sup>C SLAVE, 10-BIT ADDRESS, TRANSMISSION (SEN = 0, AHEN = 0, DHEN = 0)**





## 30.5.6 CLOCK STRETCHING

Clock stretching occurs when a device on the bus holds the SCL line low, effectively pausing communication. The slave may stretch the clock to allow more time to handle data or prepare a response for the master device. A master device is not concerned with stretching as anytime it is active on the bus and not transferring data it is stretching. Any stretching done by a slave is invisible to the master software and handled by the hardware that generates SCL.

The CKP bit of the SSP1CON1 register is used to control stretching. Any time the CKP bit is cleared, the module will wait for the SCL line to go low and then hold it. Setting CKP will release SCL and allow more communication.

### 30.5.6.1 Normal Clock Stretching

Following an  $\overline{\text{ACK}}$  if the  $\overline{\text{R/W}}$  bit of SSP1STAT is set, a read request, the slave hardware will clear CKP. This allows the slave time to update SSP1BUF with data to transfer to the master. If the SEN bit of SSP1CON2 is set, the slave hardware will always stretch the clock after the ACK sequence. Once the slave is ready; CKP is set by software and communication resumes.

### 30.5.6.2 10-bit Addressing Mode

In 10-bit Addressing mode, when the UA bit is set the clock is always stretched. This is the only time the SCL is stretched without CKP being cleared. SCL is released immediately after a write to SSP1ADD.

**Note:** Previous versions of the module did not stretch the clock if the second address byte did not match.

### 30.5.6.3 Byte NACKing

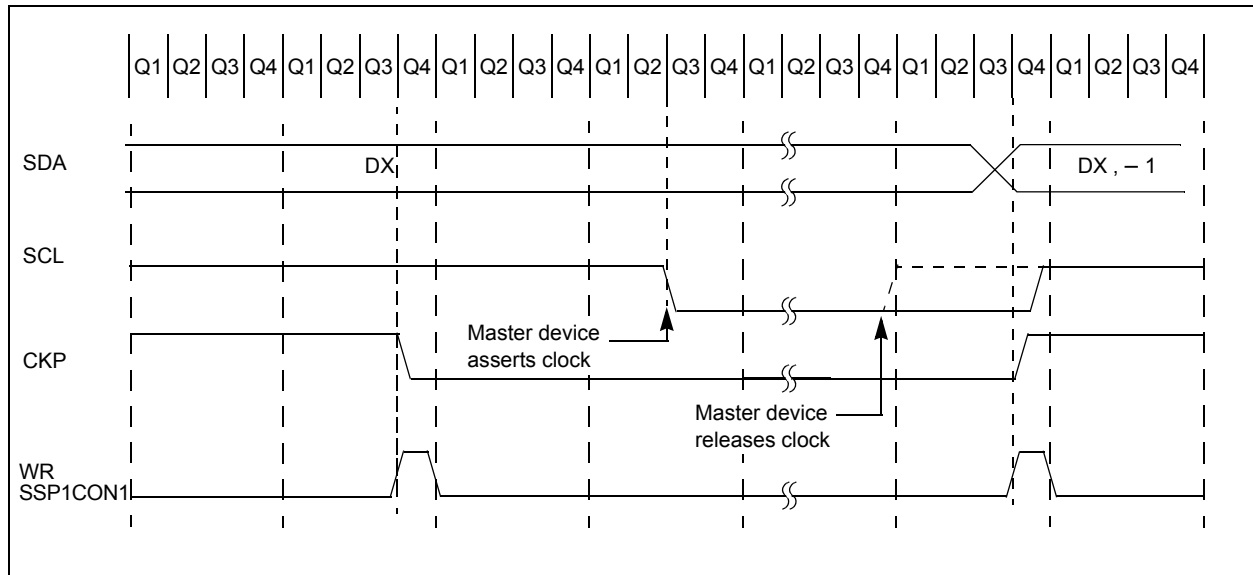
When AHEN bit of SSP1CON3 is set; CKP is cleared by hardware after the eighth falling edge of SCL for a received matching address byte. When DHEN bit of SSP1CON3 is set; CKP is cleared after the eighth falling edge of SCL for received data.

Stretching after the eighth falling edge of SCL allows the slave to look at the received address or data and decide if it wants to ACK the received data.

## 30.5.7 CLOCK SYNCHRONIZATION AND THE CKP BIT

Any time the CKP bit is cleared, the module will wait for the SCL line to go low and then hold it. However, clearing the CKP bit will not assert the SCL output low until the SCL output is already sampled low. Therefore, the CKP bit will not assert the SCL line until an external I<sup>2</sup>C master device has already asserted the SCL line. The SCL output will remain low until the CKP bit is set and all other devices on the I<sup>2</sup>C bus have released SCL. This ensures that a write to the CKP bit will not violate the minimum high time requirement for SCL (see Figure 30-23).

**FIGURE 30-23: CLOCK SYNCHRONIZATION TIMING**



# PIC16(L)F18313/18323

## 30.5.8 GENERAL CALL ADDRESS SUPPORT

The addressing procedure for the I<sup>2</sup>C bus is such that the first byte after the Start condition usually determines which device will be the slave addressed by the master device. The exception is the general call address which can address all devices. When this address is used, all devices should, in theory, respond with an acknowledge.

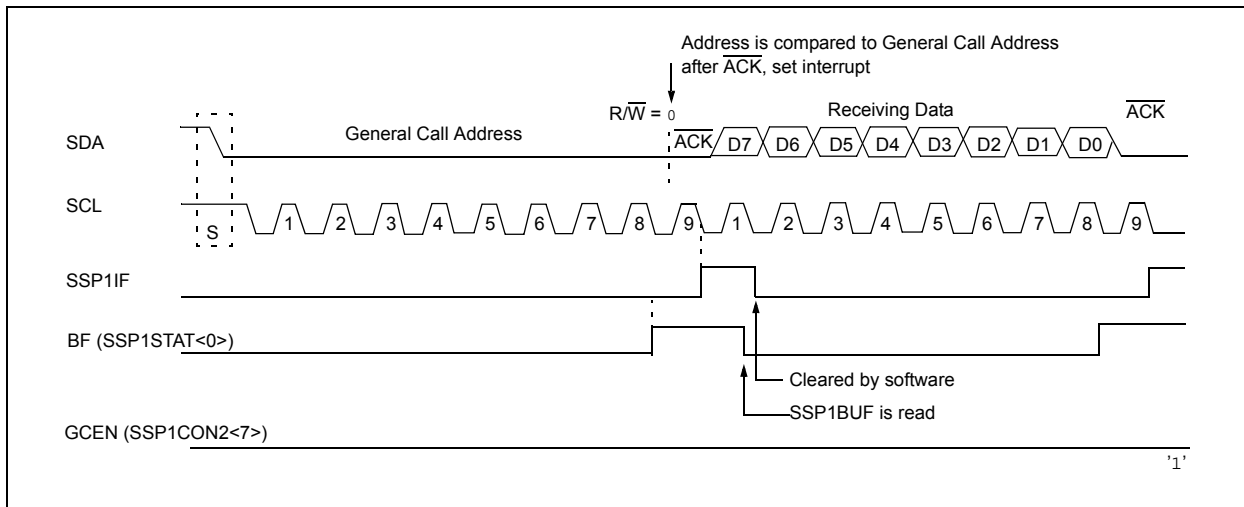
The general call address is a reserved address in the I<sup>2</sup>C protocol, defined as address 0x00. When the GCEN bit of the SSP1CON2 register is set, the slave module will automatically ACK the reception of this address regardless of the value stored in SSP1ADD. After the slave clocks in an address of all zeros with

the R/W bit clear, an interrupt is generated and slave software can read SSP1BUF and respond. Figure 30-24 shows a general call reception sequence.

In 10-bit Address mode, the UA bit will not be set on the reception of the general call address. The slave will prepare to receive the second byte as data, just as it would in 7-bit mode.

If the AHEN bit of the SSP1CON3 register is set, just as with any other address reception, the slave hardware will stretch the clock after the eighth falling edge of SCL. The slave must then set its ACKDT value and release the clock with communication progressing as it would normally.

**FIGURE 30-24: SLAVE MODE GENERAL CALL ADDRESS SEQUENCE**



## 30.5.9 SSP MASK REGISTER

An SSP Mask (SSPMSK) register (Register 30-5) is available in I<sup>2</sup>C Slave mode as a mask for the value held in the SSP1SR register during an address comparison operation. A zero ('0') bit in the SSP1MSK register has the effect of making the corresponding bit of the received address a "don't care".

This register is reset to all '1's upon any Reset condition and, therefore, has no effect on standard SSP operation until written with a mask value.

The SSP Mask register is active during:

- 7-bit Address mode: address compare of A<7:1>.
- 10-bit Address mode: address compare of A<7:0> only. The SSP mask has no effect during the reception of the first (high) byte of the address.

## 30.6 I<sup>2</sup>C Master Mode

Master mode is enabled by setting and clearing the appropriate SSPM<3:0> bits in the SSP1CON1 register and by setting the SSPEN bit. In Master mode, the SDA and SCK pins must be configured as inputs. The MSSP peripheral hardware will override the output driver TRIS controls when necessary to drive the pins low.

Master mode of operation is supported by interrupt generation on the detection of the Start and Stop conditions. The Stop (P) and Start (S) bits are cleared from a Reset or when the MSSP1 module is disabled. Control of the I<sup>2</sup>C bus may be taken when the P bit is set, or the bus is Idle.

In Firmware Controlled Master mode, user code conducts all I<sup>2</sup>C bus operations based on Start and Stop bit condition detection. Start and Stop condition detection is the only active circuitry in this mode. All other communication is done by the user software directly manipulating the SDA and SCL lines.

The following events will cause the SSP Interrupt Flag bit, SSP1IF, to be set (SSP interrupt, if enabled):

- Start condition generation
- Stop condition generation
- Data transfer byte transmitted/received
- Acknowledge transmitted/received
- Repeated Start generated

**Note 1:** The MSSP1 module, when configured in I<sup>2</sup>C Master mode, does not allow queuing of events. For instance, the user is not allowed to initiate a Start condition and immediately write the SSP1BUF register to initiate transmission before the Start condition is complete. In this case, the SSP1BUF will not be written to and the WCOL bit will be set, indicating that a write to the SSP1BUF did not occur

**2:** Master mode suspends Start/Stop detection when sending the Start/Stop condition by means of the SEN/PEN control bits. The SSPxIF bit is set at the end of the Start/Stop generation when hardware clears the control bit.

### 30.6.1 I<sup>2</sup>C MASTER MODE OPERATION

The master device generates all of the serial clock pulses and the Start and Stop conditions. A transfer is ended with a Stop condition or with a Repeated Start condition. Since the Repeated Start condition is also the beginning of the next serial transfer, the I<sup>2</sup>C bus will not be released.

In Master Transmitter mode, serial data is output through SDA, while SCL outputs the serial clock. The first byte transmitted contains the slave address of the receiving device (7 bits) and the Read/Write (R/W) bit. In this case, the R/W bit will be logic '0'. Serial data is transmitted eight bits at a time. After each byte is transmitted, an Acknowledge bit is received. Start and Stop conditions are output to indicate the beginning and the end of a serial transfer.

In Master Receive mode, the first byte transmitted contains the slave address of the transmitting device (7 bits) and the R/W bit. In this case, the R/W bit will be logic '1'. Thus, the first byte transmitted is a 7-bit slave address followed by a '1' to indicate the receive bit. Serial data is received via SDA, while SCL outputs the serial clock. Serial data is received eight bits at a time. After each byte is received, an Acknowledge bit is transmitted. Start and Stop conditions indicate the beginning and end of transmission.

A Baud Rate Generator is used to set the clock frequency output on SCL. See [Section 30.7 “Baud Rate Generator”](#) for more detail.

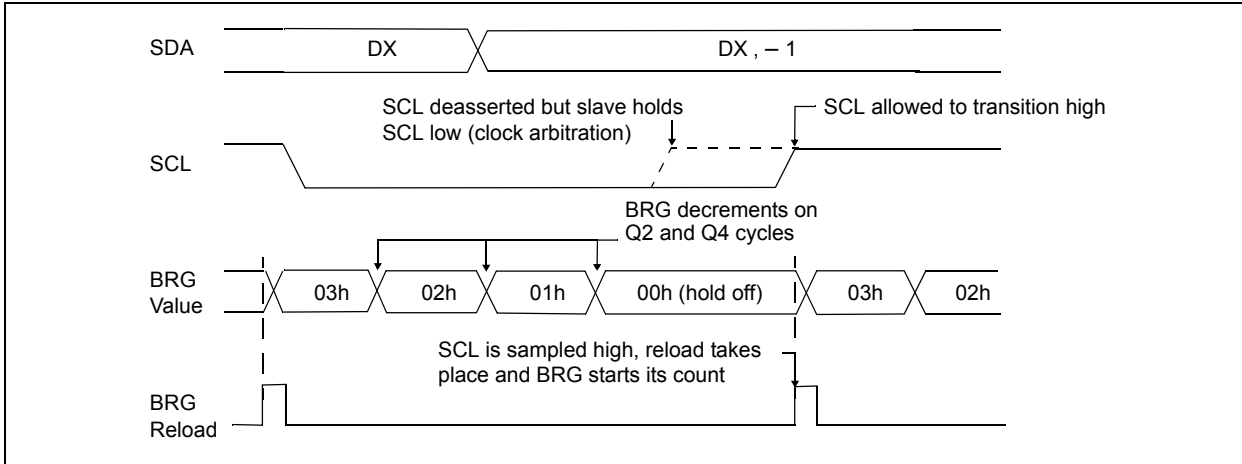
# PIC16(L)F18313/18323

## 30.6.2 CLOCK ARBITRATION

Clock arbitration occurs when the master, during any receive, transmit or Repeated Start/Stop condition, releases the SCL pin (SCL allowed to float high). When the SCL pin is allowed to float high, the Baud Rate Generator (BRG) is suspended from counting until the

SCL pin is actually sampled high. When the SCL pin is sampled high, the Baud Rate Generator is reloaded with the contents of SSP1ADD<7:0> and begins counting. This ensures that the SCL high time will always be at least one BRG rollover count in the event that the clock is held low by an external device (Figure 30-25).

**FIGURE 30-25: BAUD RATE GENERATOR TIMING WITH CLOCK ARBITRATION**



## 30.6.3 WCOL STATUS FLAG

If the user writes the SSP1BUF when a Start, Restart, Stop, Receive or Transmit sequence is in progress, the WCOL is set and the contents of the buffer are unchanged (the write does not occur). Any time the WCOL bit is set it indicates that an action on SSP1BUF was attempted while the module was not idle.

**Note:** Because queuing of events is not allowed, writing to the lower five bits of SSP1CON2 is disabled until the Start condition is complete.

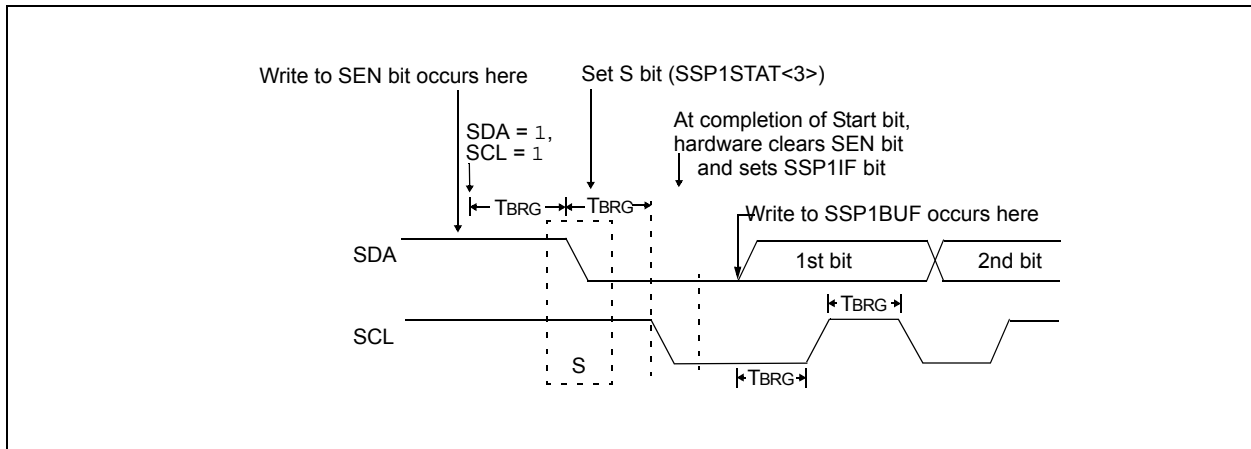
## 30.6.4 I<sup>2</sup>C MASTER MODE START CONDITION TIMING

To initiate a Start condition (Figure 30-26), the user sets the Start Enable bit, SEN bit of the SSP1CON2 register. If the SDA and SCL pins are sampled high, the Baud Rate Generator is reloaded with the contents of SSP1ADD<7:0> and starts its count. If SCL and SDA are both sampled high when the Baud Rate Generator times out (TBRG), the SDA pin is driven low. The action of the SDA being driven low while SCL is high is the Start condition and causes the S bit of the SSP1STAT register to be set. Following this, the Baud Rate Generator is reloaded with the contents of SSP1ADD<7:0> and resumes its count. When the Baud Rate Generator times out (TBRG), the SEN bit of the SSP1CON2 register will be automatically cleared by hardware; the Baud Rate Generator is suspended, leaving the SDA line held low and the Start condition is complete.

**Note 1:** If at the beginning of the Start condition, the SDA and SCL pins are already sampled low, or if during the Start condition, the SCL line is sampled low before the SDA line is driven low, a bus collision occurs, the Bus Collision Interrupt Flag, BCLIF, is set, the Start condition is aborted and the I<sup>2</sup>C module is reset into its idle state.

**2:** The Philips I<sup>2</sup>C specification states that a bus collision cannot occur on a Start.

**FIGURE 30-26: FIRST START BIT TIMING**





## 30.6.6 I<sup>2</sup>C MASTER MODE TRANSMISSION

Transmission of a data byte, a 7-bit address or the other half of a 10-bit address is accomplished by simply writing a value to the SSP1BUF register. This action will set the Buffer Full flag bit, BF, and allow the Baud Rate Generator to begin counting and start the next transmission. Each bit of address/data will be shifted out onto the SDA pin after the falling edge of SCL is asserted. SCL is held low for one Baud Rate Generator rollover count (TBRG). Data should be valid before SCL is released high. When the SCL pin is released high, it is held that way for TBRG. The data on the SDA pin must remain stable for that duration and some hold time after the next falling edge of SCL. After the eighth bit is shifted out (the falling edge of the eighth clock), the BF flag is cleared and the master releases SDA. This allows the slave device being addressed to respond with an ACK bit during the ninth bit time if an address match occurred, or if data was received properly. The status of ACK is written into the ACKSTAT bit on the rising edge of the ninth clock. If the master receives an Acknowledge, the Acknowledge Status bit, ACKSTAT, is cleared. If not, the bit is set. After the ninth clock, the SSP1IF bit is set and the master clock (Baud Rate Generator) is suspended until the next data byte is loaded into the SSP1BUF, leaving SCL low and SDA unchanged (Figure 30-28).

After the write to the SSP1BUF, each bit of the address will be shifted out on the falling edge of SCL until all seven address bits and the R/W bit are completed. On the falling edge of the eighth clock, the master will release the SDA pin, allowing the slave to respond with an Acknowledge. On the falling edge of the ninth clock, the master will sample the SDA pin to see if the address was recognized by a slave. The status of the ACK bit is loaded into the ACKSTAT Status bit of the SSP1CON2 register. Following the falling edge of the ninth clock transmission of the address, the SSP1IF is set, the BF flag is cleared and the Baud Rate Generator is turned off until another write to the SSP1BUF takes place, holding SCL low and allowing SDA to float.

### 30.6.6.1 BF Status Flag

In Transmit mode, the BF bit of the SSP1STAT register is set when the CPU writes to SSP1BUF and is cleared when all eight bits are shifted out.

### 30.6.6.2 WCOL Status Flag

If the user writes the SSP1BUF when a transmit is already in progress (i.e., SSP1SR is still shifting out a data byte), the WCOL bit is set and the contents of the buffer are unchanged (the write does not occur).

WCOL must be cleared by software before the next transmission.

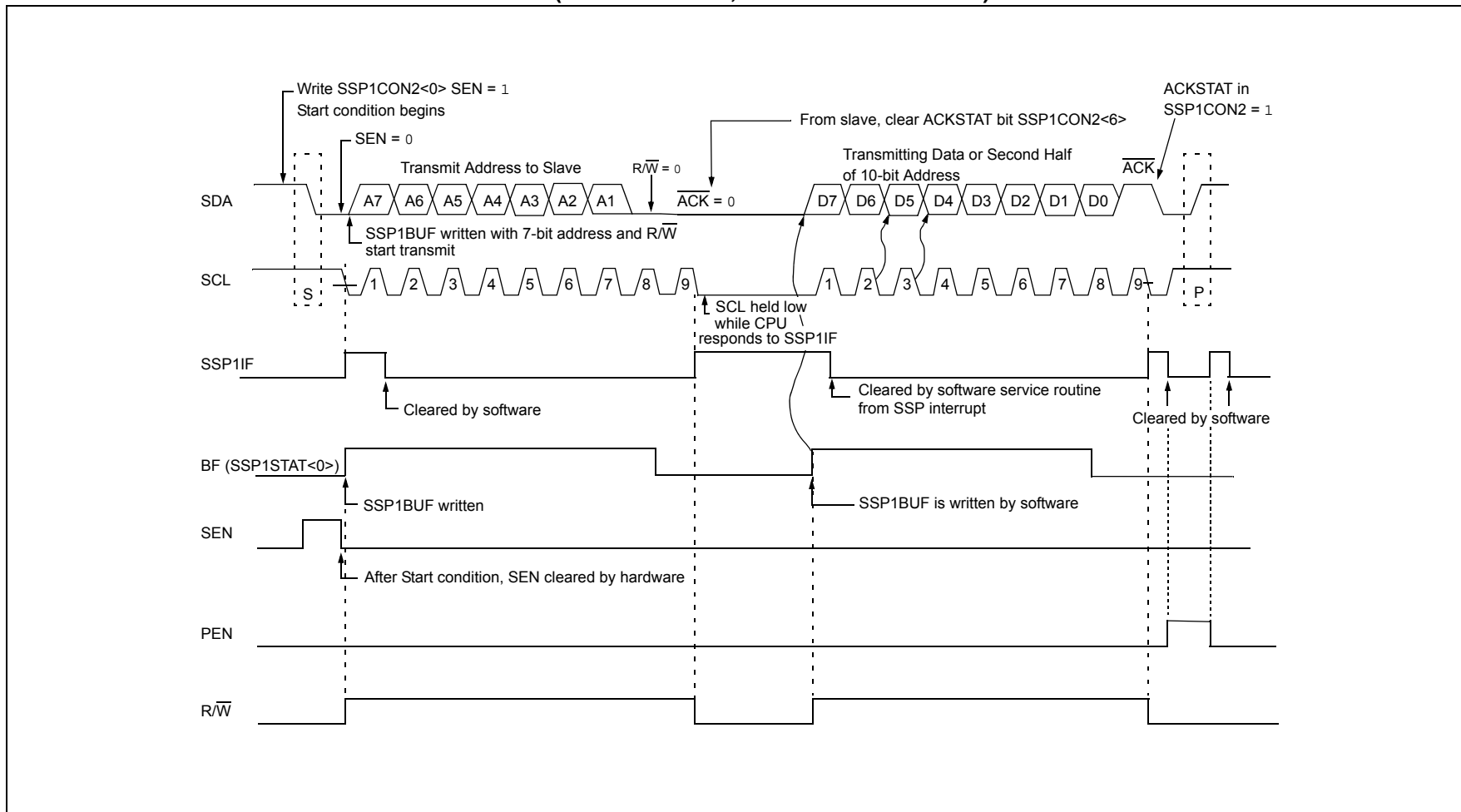
### 30.6.6.3 ACKSTAT Status Flag

In Transmit mode, the ACKSTAT bit of the SSP1CON2 register is cleared when the slave has sent an Acknowledge (ACK = 0) and is set when the slave does not Acknowledge (ACK = 1). A slave sends an Acknowledge when it has recognized its address (including a general call), or when the slave has properly received its data.

### 30.6.6.4 Typical Transmit Sequence

1. The user generates a Start condition by setting the SEN bit of the SSP1CON2 register.
2. SSP1IF is set by hardware on completion of the Start.
3. SSP1IF is cleared by software.
4. The MSSP1 module will wait the required start time before any other operation takes place.
5. The user loads the SSP1BUF with the slave address to transmit.
6. Address is shifted out the SDA pin until all eight bits are transmitted. Transmission begins as soon as SSP1BUF is written to.
7. The MSSP1 module shifts in the ACK bit from the slave device and writes its value into the ACKSTAT bit of the SSP1CON2 register.
8. The MSSP1 module generates an interrupt at the end of the ninth clock cycle by setting the SSP1IF bit.
9. The user loads the SSP1BUF with eight bits of data.
10. Data is shifted out the SDA pin until all eight bits are transmitted.
11. The MSSP1 module shifts in the ACK bit from the slave device and writes its value into the ACKSTAT bit of the SSP1CON2 register.
12. Steps 8-11 are repeated for all transmitted data bytes.
13. The user generates a Stop or Restart condition by setting the PEN or RSEN bits of the SSP1CON2 register. Interrupt is generated once the Stop/Restart condition is complete.

**FIGURE 30-28: I<sup>2</sup>C MASTER MODE WAVEFORM (TRANSMISSION, 7 OR 10-BIT ADDRESS)**





## 30.6.7 I<sup>2</sup>C MASTER MODE RECEPTION

Master mode reception (Figure 30-29) is enabled by programming the Receive Enable bit, RCEN bit of the SSP1CON2 register.

**Note:** The MSSP1 module must be in an Idle state before the RCEN bit is set or the RCEN bit will be disregarded.

The Baud Rate Generator begins counting and on each rollover, the state of the SCL pin changes (high-to-low/low-to-high) and data is shifted into the SSP1SR. After the falling edge of the eighth clock, the receive enable flag is automatically cleared, the contents of the SSP1SR are loaded into the SSP1BUF, the BF flag bit is set, the SSP1IF flag bit is set and the Baud Rate Generator is suspended from counting, holding SCL low. The MSSP1 is now in Idle state awaiting the next command. When the buffer is read by the CPU, the BF flag bit is automatically cleared. The user can then send an Acknowledge bit at the end of reception by setting the Acknowledge Sequence Enable, ACKEN bit of the SSP1CON2 register.

### 30.6.7.1 BF Status Flag

In receive operation, the BF bit is set when an address or data byte is loaded into SSP1BUF from SSP1SR. It is cleared when the SSP1BUF register is read.

### 30.6.7.2 SSPOV Status Flag

In receive operation, the SSPOV bit is set when eight bits are received into the SSP1SR and the BF flag bit is already set from a previous reception.

### 30.6.7.3 WCOL Status Flag

If the user writes the SSP1BUF when a receive is already in progress (i.e., SSP1SR is still shifting in a data byte), the WCOL bit is set and the contents of the buffer are unchanged (the write does not occur).

### 30.6.7.4 Typical Receive Sequence:

1. The user generates a Start condition by setting the SEN bit of the SSP1CON2 register.
2. SSP1IF is set by hardware on completion of the Start.
3. SSP1IF is cleared by software.
4. User writes SSP1BUF with the slave address to transmit and the R/W bit set.
5. Address is shifted out the SDA pin until all eight bits are transmitted. Transmission begins as soon as SSP1BUF is written to.
6. The MSSP1 module shifts in the  $\overline{\text{ACK}}$  bit from the slave device and writes its value into the ACKSTAT bit of the SSP1CON2 register.
7. The MSSP1 module generates an interrupt at the end of the ninth clock cycle by setting the SSP1IF bit.
8. User sets the RCEN bit of the SSP1CON2 register and the master clocks in a byte from the slave.
9. After the eighth falling edge of SCL, SSP1IF and BF are set.
10. Master clears SSP1IF and reads the received byte from SSP1BUF, clears BF.
11. Master sets  $\overline{\text{ACK}}$  value sent to slave in ACKDT bit of the SSP1CON2 register and initiates the  $\overline{\text{ACK}}$  by setting the ACKEN bit.
12. Master's  $\overline{\text{ACK}}$  is clocked out to the slave and SSP1IF is set.
13. Software clears SSP1IF.
14. Steps 8-13 are repeated for each received byte from the slave.
15. Master sends a not  $\overline{\text{ACK}}$  or Stop to end communication.



## 30.6.8 ACKNOWLEDGE SEQUENCE TIMING

An Acknowledge sequence is enabled by setting the Acknowledge Sequence Enable bit, ACKEN bit of the SSP1CON2 register. When this bit is set, the SCL pin is pulled low and the contents of the Acknowledge data bit are presented on the SDA pin. If the user wishes to generate an Acknowledge, then the ACKDT bit should be cleared. If not, the user should set the ACKDT bit before starting an Acknowledge sequence. The Baud Rate Generator then counts for one rollover period (TBRG) and the SCL pin is deasserted (pulled high). When the SCL pin is sampled high (clock arbitration), the Baud Rate Generator counts for TBRG. The SCL pin is then pulled low. Following this, the ACKEN bit is automatically cleared, the Baud Rate Generator is turned off and the MSSP1 module then goes into Idle mode (Figure 30-30).

### 30.6.8.1 WCOL Status Flag

If the user writes the SSP1BUF when an Acknowledge sequence is in progress, then WCOL bit is set and the contents of the buffer are unchanged (the write does not occur).

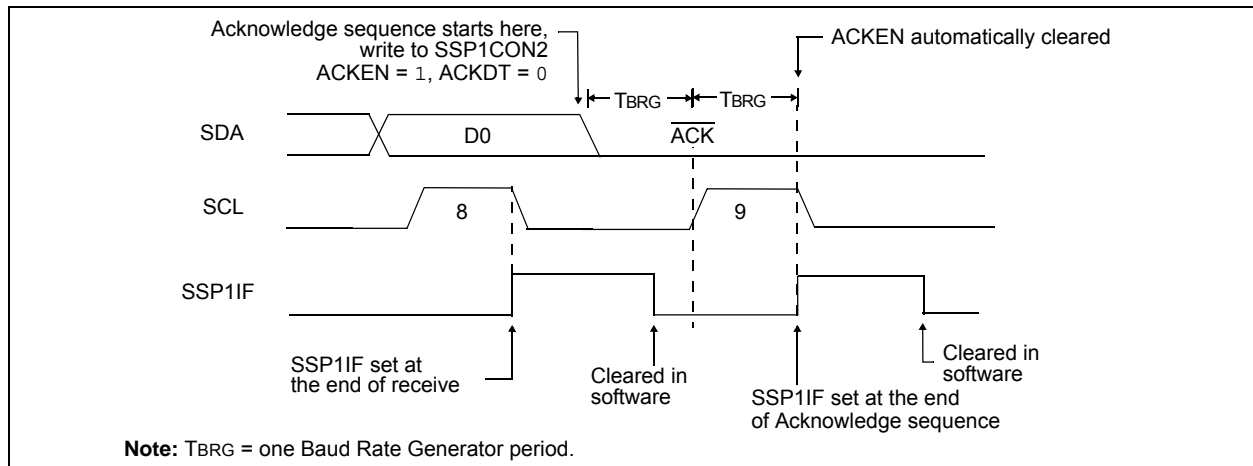
## 30.6.9 STOP CONDITION TIMING

A Stop bit is asserted on the SDA pin at the end of a receive/transmit by setting the Stop Sequence Enable bit, PEN bit of the SSP1CON2 register. At the end of a receive/transmit, the SCL line is held low after the falling edge of the ninth clock. When the PEN bit is set, the master will assert the SDA line low. When the SDA line is sampled low, the Baud Rate Generator is reloaded and counts down to '0'. When the Baud Rate Generator times out, the SCL pin will be brought high and one TBRG (Baud Rate Generator rollover count) later, the SDA pin will be deasserted. When the SDA pin is sampled high while SCL is high, the P bit of the SSP1STAT register is set. A TBRG later, the PEN bit is cleared and the SSP1IF bit is set (Figure 30-31).

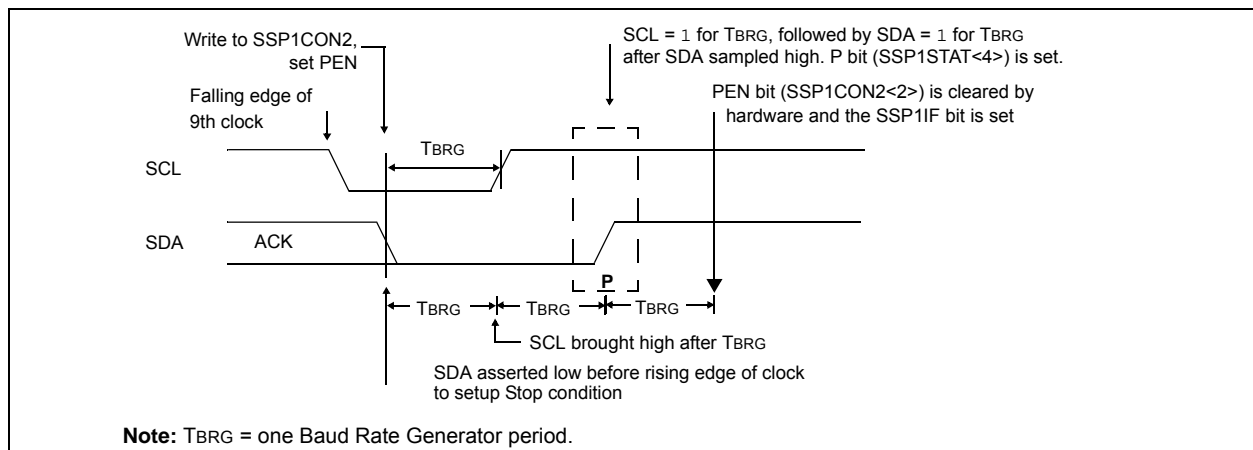
### 30.6.9.1 WCOL Status Flag

If the user writes the SSP1BUF when a Stop sequence is in progress, then the WCOL bit is set and the contents of the buffer are unchanged (the write does not occur).

**FIGURE 30-30: ACKNOWLEDGE SEQUENCE WAVEFORM**



**FIGURE 30-31: STOP CONDITION RECEIVE OR TRANSMIT MODE**



# PIC16(L)F18313/18323

## 30.6.10 SLEEP OPERATION

While in Sleep mode, the I<sup>2</sup>C slave module can receive addresses or data and when an address match or complete byte transfer occurs, wake the processor from Sleep (if the MSSP interrupt is enabled).

## 30.6.11 EFFECTS OF A RESET

A Reset disables the MSSP1 module and terminates the current transfer.

## 30.6.12 MULTI-MASTER MODE

In Multi-Master mode, the interrupt generation on the detection of the Start and Stop conditions allows the determination of when the bus is free. The Stop (P) and Start (S) bits are cleared from a Reset or when the MSSP1 module is disabled. Control of the I<sup>2</sup>C bus may be taken when the P bit of the SSP1STAT register is set, or the bus is Idle, with both the S and P bits clear. When the bus is busy, enabling the SSP interrupt will generate the interrupt when the Stop condition occurs.

In multi-master operation, the SDA line must be monitored for arbitration to see if the signal level is the expected output level. This check is performed by hardware with the result placed in the BCL1IF bit.

The states where arbitration can be lost are:

- Address Transfer
- Data Transfer
- A Start Condition
- A Repeated Start Condition
- An Acknowledge Condition

## 30.6.13 MULTI-MASTER COMMUNICATION, BUS COLLISION AND BUS ARBITRATION

Multi-Master mode support is achieved by bus arbitration. When the master outputs address/data bits onto the SDA pin, arbitration takes place when the master outputs a '1' on SDA, by letting SDA float high and another master asserts a '0'. When the SCL pin floats high, data should be stable. If the expected data on SDA is a '1' and the data sampled on the SDA pin is '0', then a bus collision has taken place. The master will set the Bus Collision Interrupt Flag, BCLIF and reset the I<sup>2</sup>C port to its Idle state (Figure 30-32).

If a transmit was in progress when the bus collision occurred, the transmission is halted, the BF flag is cleared, the SDA and SCL lines are deasserted and the SSP1BUF can be written to. When the user services the bus collision Interrupt Service Routine and if the I<sup>2</sup>C bus is free, the user can resume communication by asserting a Start condition.

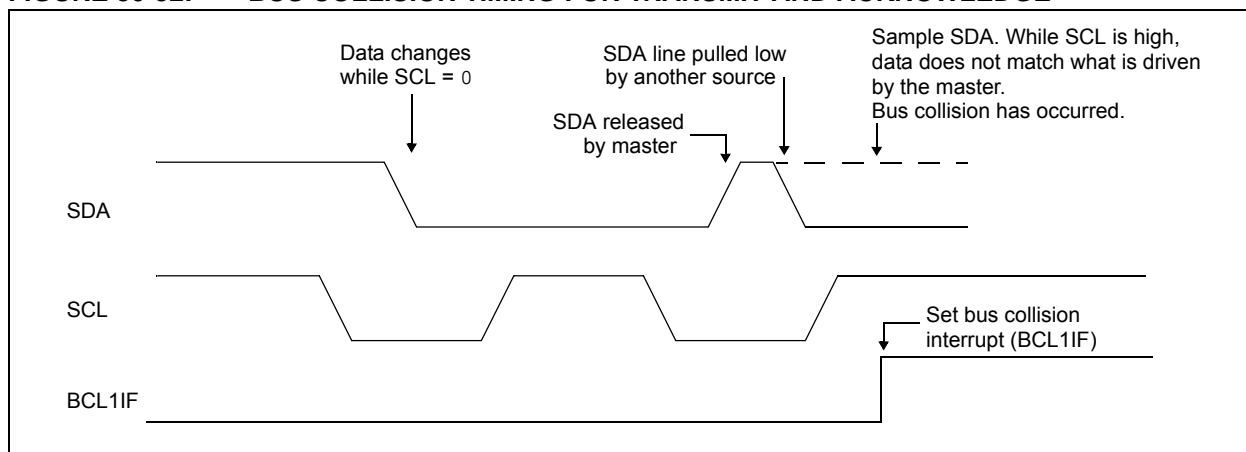
If a Start, Repeated Start, Stop or Acknowledge condition was in progress when the bus collision occurred, the condition is aborted, the SDA and SCL lines are deasserted and the respective control bits in the SSP1CON2 register are cleared. When the user services the bus collision Interrupt Service Routine and if the I<sup>2</sup>C bus is free, the user can resume communication by asserting a Start condition.

The master will continue to monitor the SDA and SCL pins. If a Stop condition occurs, the SSP1IF bit will be set.

A write to the SSP1BUF will start the transmission of data at the first data bit, regardless of where the transmitter left off when the bus collision occurred.

In Multi-Master mode, the interrupt generation on the detection of Start and Stop conditions allows the determination of when the bus is free. Control of the I<sup>2</sup>C bus can be taken when the P bit is set in the SSP1STAT register, or the bus is idle and the S and P bits are cleared.

**FIGURE 30-32: BUS COLLISION TIMING FOR TRANSMIT AND ACKNOWLEDGE**



## 30.6.13.1 Bus Collision During a Start Condition

During a Start condition, a bus collision occurs if:

- SDA or SCL are sampled low at the beginning of the Start condition (Figure 30-33).
- SCL is sampled low before SDA is asserted low (Figure 30-34).

During a Start condition, both the SDA and the SCL pins are monitored.

If the SDA pin is already low, or the SCL pin is already low, then all of the following occur:

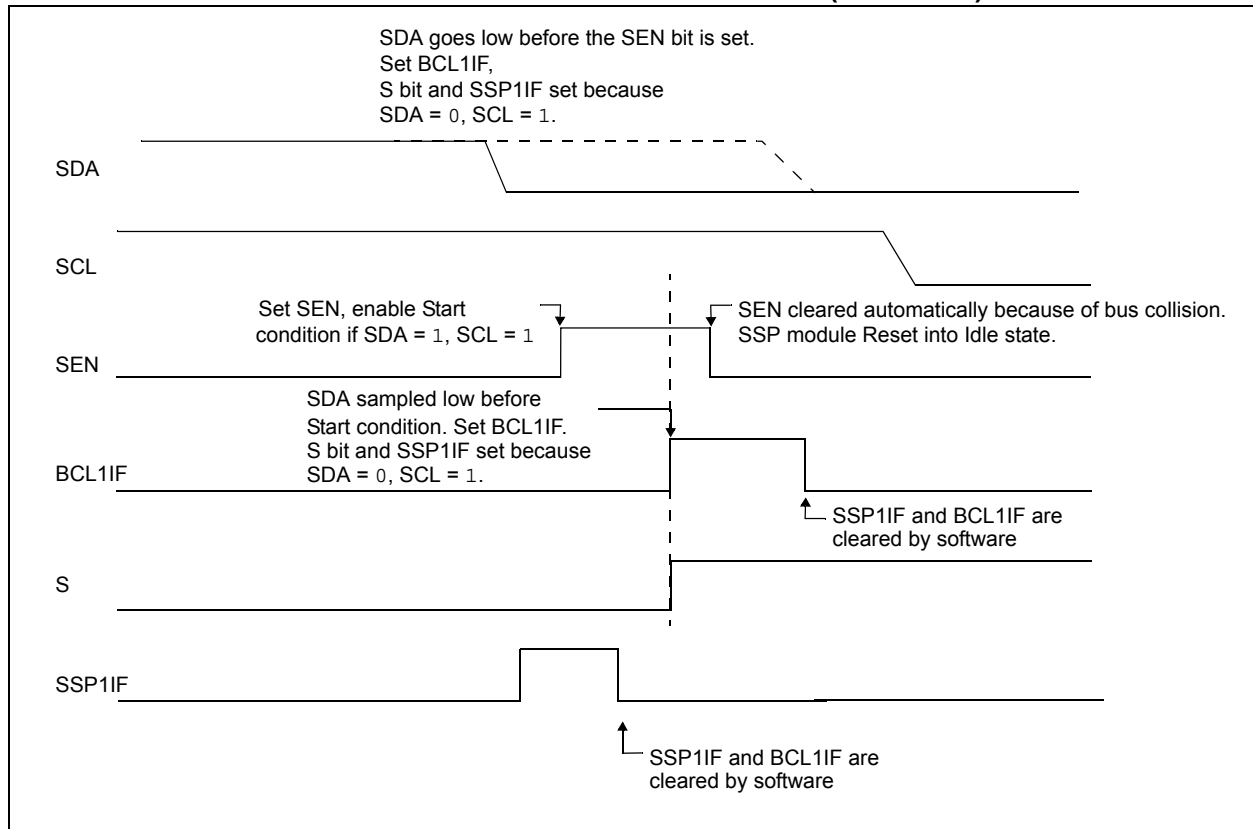
- the Start condition is aborted,
- the BCL1IF flag is set and
- the MSSP1 module is reset to its Idle state (Figure 30-33).

The Start condition begins with the SDA and SCL pins deasserted. When the SDA pin is sampled high, the Baud Rate Generator is loaded and counts down. If the SCL pin is sampled low while SDA is high, a bus collision occurs because it is assumed that another master is attempting to drive a data '1' during the Start condition.

If the SDA pin is sampled low during this count, the BRG is reset and the SDA line is asserted early (Figure 30-35). If, however, a '1' is sampled on the SDA pin, the SDA pin is asserted low at the end of the BRG count. The Baud Rate Generator is then reloaded and counts down to zero; if the SCL pin is sampled as '0' during this time, a bus collision does not occur. At the end of the BRG count, the SCL pin is asserted low.

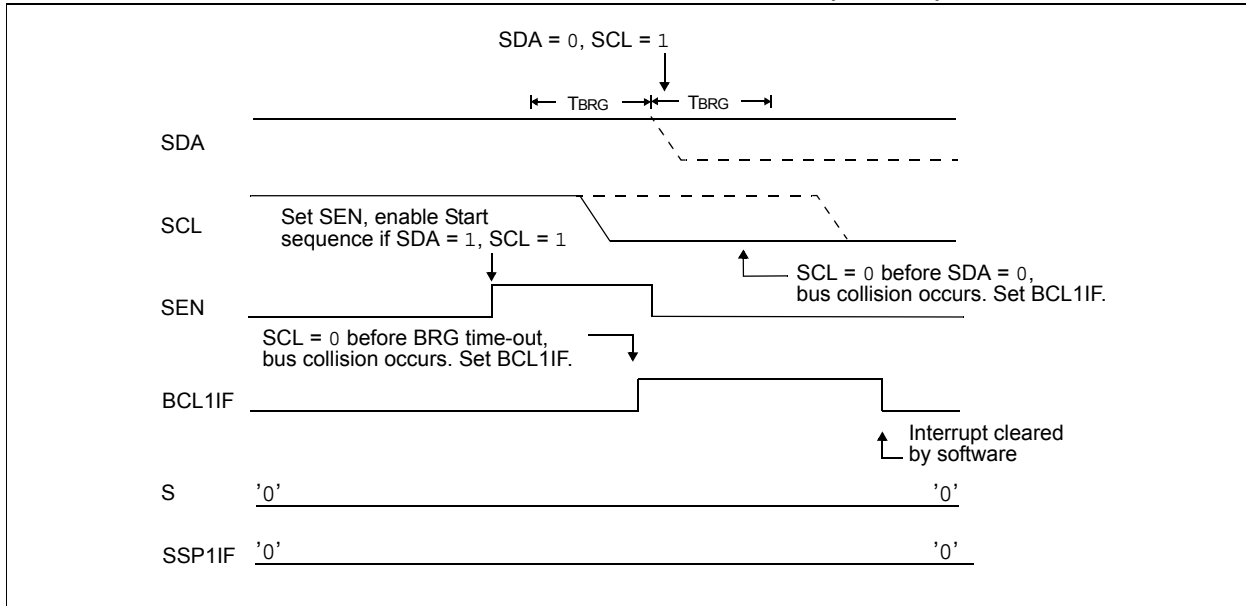
**Note:** The reason that bus collision is not a factor during a Start condition is that no two bus masters can assert a Start condition at the exact same time. Therefore, one master will always assert SDA before the other. This condition does not cause a bus collision because the two masters must be allowed to arbitrate the first address following the Start condition. If the address is the same, arbitration must be allowed to continue into the data portion, Repeated Start or Stop conditions.

**FIGURE 30-33: BUS COLLISION DURING START CONDITION (SDA ONLY)**

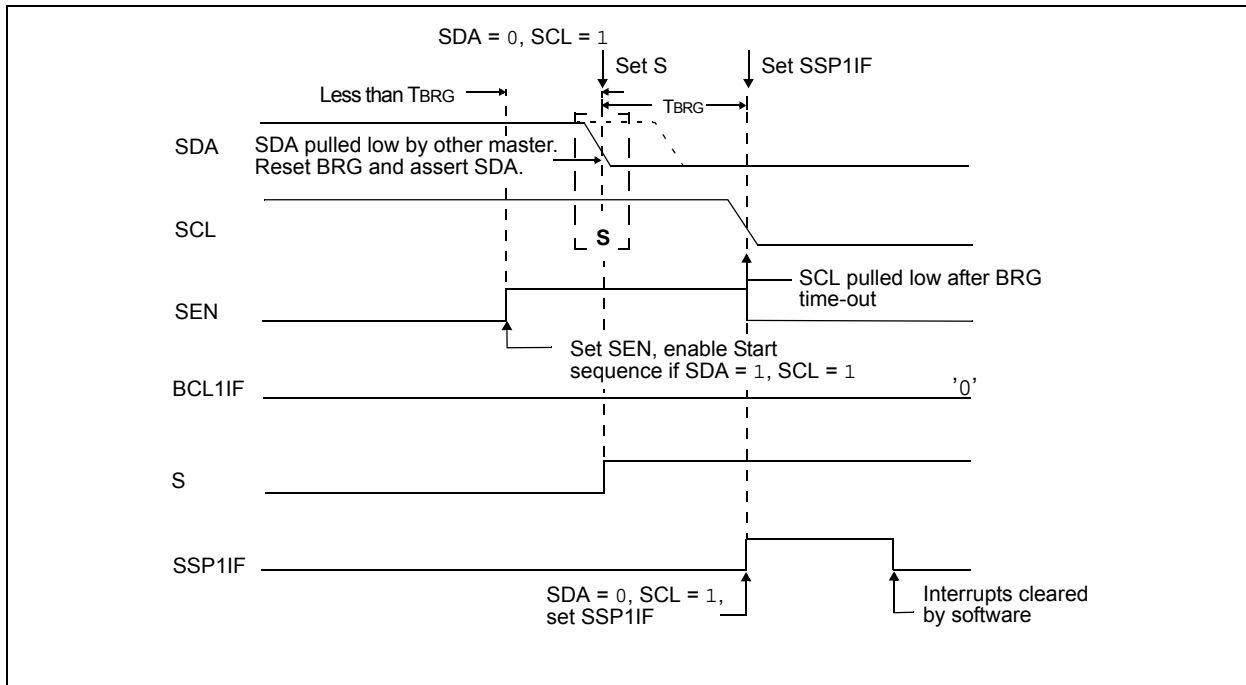


# PIC16(L)F18313/18323

**FIGURE 30-34: BUS COLLISION DURING START CONDITION (SCL = 0)**



**FIGURE 30-35: BRG RESET DUE TO SDA ARBITRATION DURING START CONDITION**



## 30.6.13.2 Bus Collision During a Repeated Start Condition

During a Repeated Start condition, a bus collision occurs if:

- A low level is sampled on SDA when SCL goes from low level to high level (Case 1).
- SCL goes low before SDA is asserted low, indicating that another master is attempting to transmit a data '1' (Case 2).

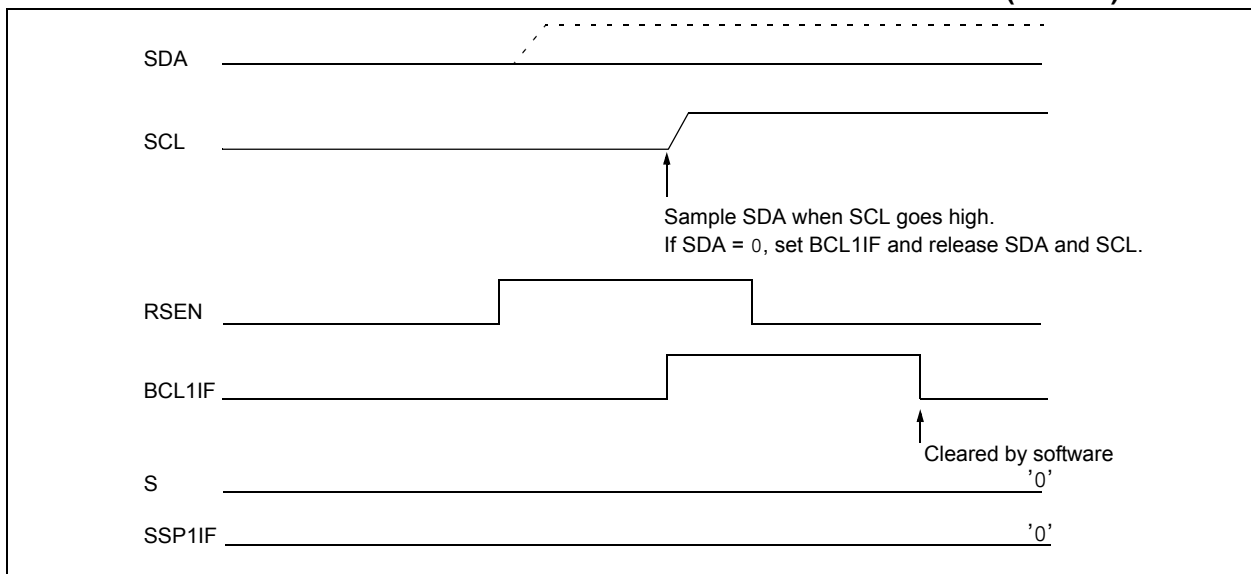
When the user releases SDA and the pin is allowed to float high, the BRG is loaded with SSP1ADD and counts down to zero. The SCL pin is then deasserted and when sampled high, the SDA pin is sampled.

If SDA is low, a bus collision has occurred (i.e., another master is attempting to transmit a data '0', [Figure 30-36](#)). If SDA is sampled high, the BRG is reloaded and begins counting. If SDA goes from high-to-low before the BRG times out, no bus collision occurs because no two masters can assert SDA at exactly the same time.

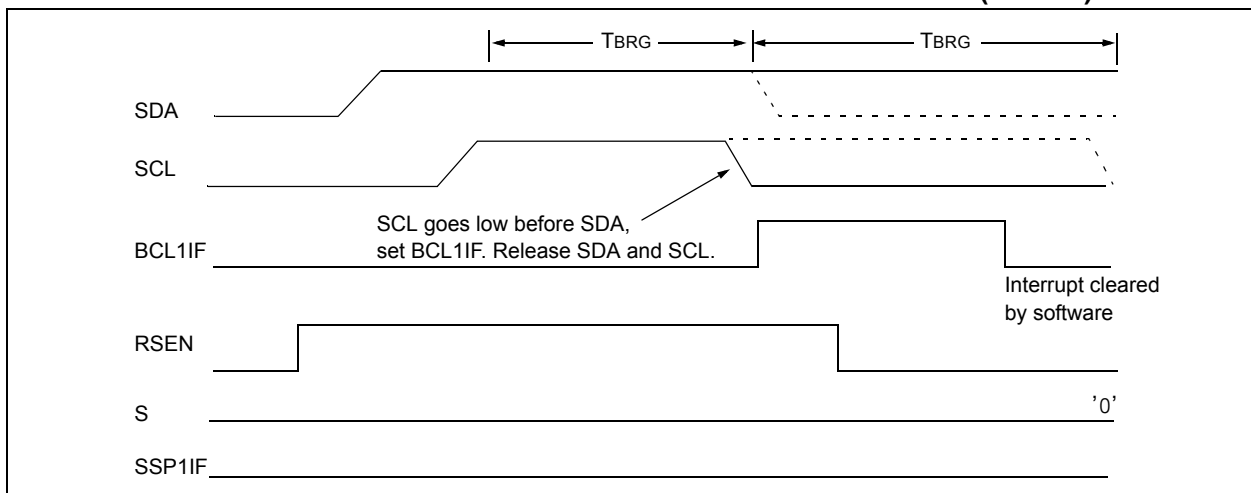
If SCL goes from high-to-low before the BRG times out and SDA has not already been asserted, a bus collision occurs. In this case, another master is attempting to transmit a data '1' during the Repeated Start condition, see [Figure 30-37](#).

If, at the end of the BRG time-out, both SCL and SDA are still high, the SDA pin is driven low and the BRG is reloaded and begins counting. At the end of the count, regardless of the status of the SCL pin, the SCL pin is driven low and the Repeated Start condition is complete.

**FIGURE 30-36: BUS COLLISION DURING A REPEATED START CONDITION (CASE 1)**



**FIGURE 30-37: BUS COLLISION DURING REPEATED START CONDITION (CASE 2)**



# PIC16(L)F18313/18323

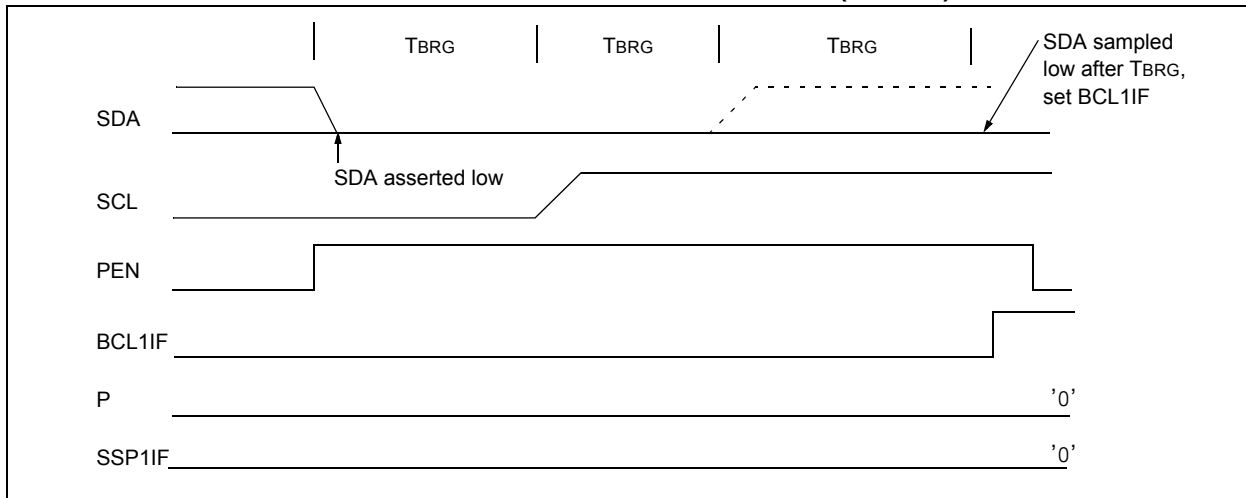
## 30.6.13.3 Bus Collision During a Stop Condition

Bus collision occurs during a Stop condition if:

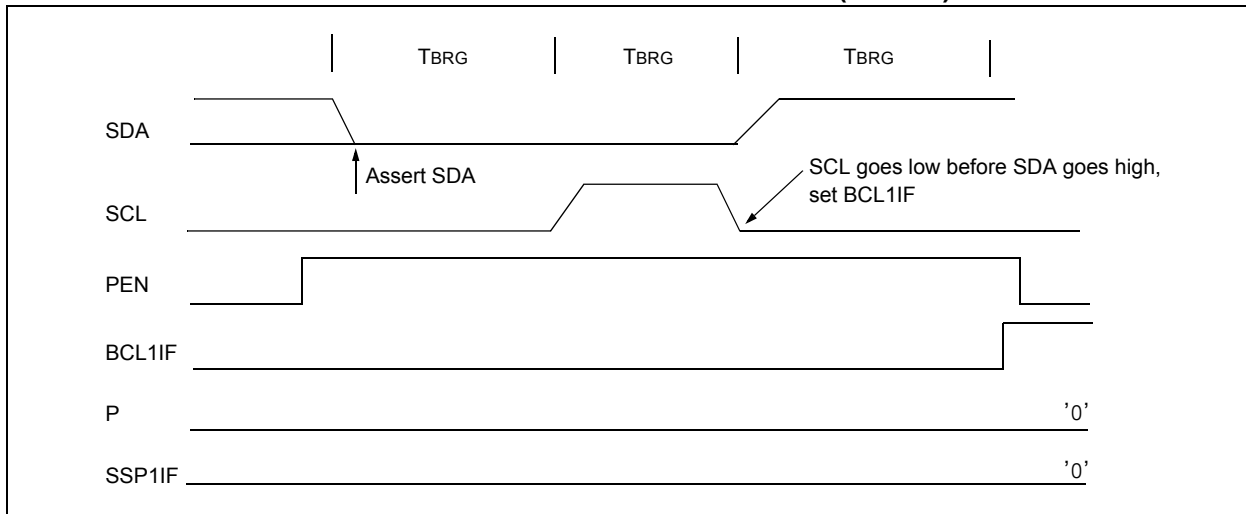
- a) After the SDA pin has been deasserted and allowed to float high, SDA is sampled low after the BRG has timed out (Case 1).
- b) After the SCL pin is deasserted, SCL is sampled low before SDA goes high (Case 2).

The Stop condition begins with SDA asserted low. When SDA is sampled low, the SCL pin is allowed to float. When the pin is sampled high (clock arbitration), the Baud Rate Generator is loaded with SSP1ADD and counts down to zero. After the BRG times out, SDA is sampled. If SDA is sampled low, a bus collision has occurred. This is due to another master attempting to drive a data '0' (Figure 30-38). If the SCL pin is sampled low before SDA is allowed to float high, a bus collision occurs. This is another case of another master attempting to drive a data '0' (Figure 30-39).

**FIGURE 30-38: BUS COLLISION DURING A STOP CONDITION (CASE 1)**



**FIGURE 30-39: BUS COLLISION DURING A STOP CONDITION (CASE 2)**





## 30.7 Baud Rate Generator

The MSSP1 module has a Baud Rate Generator available for clock generation in both I<sup>2</sup>C and SPI Master modes. The Baud Rate Generator (BRG) reload value is placed in the SSP1ADD register (Register 30-6). When a write occurs to SSP1BUF, the Baud Rate Generator will automatically begin counting down.

Once the given operation is complete, the internal clock will automatically stop counting and the clock pin will remain in its last state.

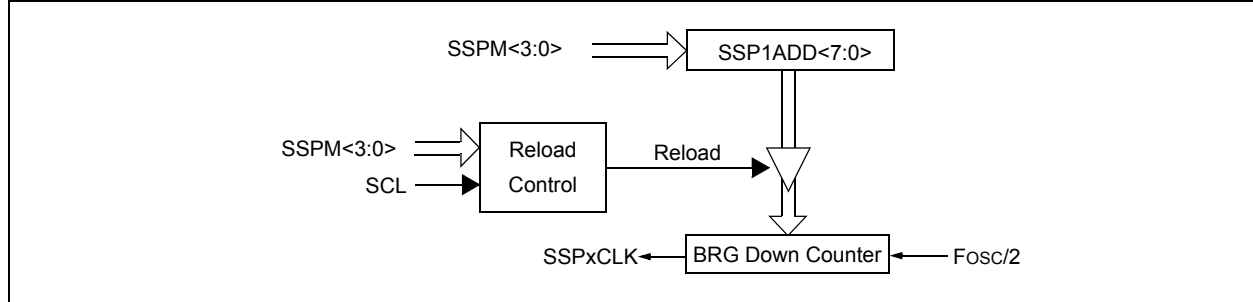
An internal signal “Reload” in Figure 30-40 triggers the value from SSP1ADD to be loaded into the BRG counter. This occurs twice for each oscillation of the module clock line. The logic dictating when the reload signal is asserted depends on the mode the MSSP1 is being operated in.

Table 30-4 demonstrates clock rates based on instruction cycles and the BRG value loaded into SSPADD.

### EQUATION 30-1:

$$F_{CLOCK} = \frac{F_{OSC}}{(SSP1ADD + 1)(4)}$$

**FIGURE 30-40: BAUD RATE GENERATOR BLOCK DIAGRAM**



**Note:** Values of 0x00, 0x01 and 0x02 are not valid for SSP1ADD when used as a Baud Rate Generator for I<sup>2</sup>C. This is an implementation limitation.

# PIC16(L)F18313/18323

---

**TABLE 30-2: MSSP CLOCK RATE W/BRG**

Fosc	Fcy	BRG Value	Fclock (2 Rollovers of BRG)
32 MHz	8 MHz	13h	400 kHz
32 MHz	8 MHz	19h	308 kHz
32 MHz	8 MHz	4Fh	100 kHz
16 MHz	4 MHz	09h	400 kHz
16 MHz	4 MHz	0Ch	308 kHz
16 MHz	4 MHz	27h	100 kHz
4 MHz	1 MHz	09h	100 kHz

**Note:** Refer to the I/O port electrical specifications in [Table 35-4](#) to ensure the system is designed to support IOL requirements.

## 30.8 Register Definitions: MSSP Control

### REGISTER 30-1: SSP1STAT: SSP STATUS REGISTER

R/W-0/0	R/W-0/0	R/HS/HC-0/0	R/HS/HC-0/0	R/HS/HC-0/0	R/HS/HC-0/0	R/HS/HC-0/0	R/HS/HC-0/0
SMP	CKE <sup>(1)</sup>	D/A	P <sup>(2)</sup>	S <sup>(2)</sup>	R/W	UA	BF
bit 7							bit 0

#### Legend:

R = Readable bit	W = Writable bit	U = Unimplemented bit, read as '0'
u = Bit is unchanged	x = Bit is unknown	-n/n = Value at POR and BOR/Value at all other Resets
'1' = Bit is set	'0' = Bit is cleared	HS/HC = Hardware set/clear

bit 7	<p><b>SMP:</b> SPI Data Input Sample bit</p> <p><u>SPI Master mode:</u></p> <p>1 = Input data sampled at end of data output time</p> <p>0 = Input data sampled at middle of data output time</p> <p><u>SPI Slave mode:</u></p> <p>SMP must be cleared when SPI is used in Slave mode</p> <p><u>In I<sup>2</sup>C Master or Slave mode:</u></p> <p>1 = Slew rate control disabled for Standard Speed mode (100 kHz)</p> <p>0 = Slew rate control enabled for High-Speed mode (400 kHz)</p>
bit 6	<p><b>CKE:</b> SPI Clock Edge Select bit (SPI mode only)<sup>(1)</sup></p> <p><u>In SPI Master or Slave mode:</u></p> <p>1 = Transmit occurs on transition from active to Idle clock state</p> <p>0 = Transmit occurs on transition from Idle to active clock state</p> <p><u>In I<sup>2</sup>C™ mode only:</u></p> <p>1 = Enable input logic so that thresholds are compliant with SMBus specification</p> <p>0 = Disable SMBus specific inputs</p>
bit 5	<p><b>D/A:</b> Data/Address bit (I<sup>2</sup>C mode only)</p> <p>1 = Indicates that the last byte received or transmitted was data</p> <p>0 = Indicates that the last byte received or transmitted was address</p>
bit 4	<p><b>P:</b> Stop bit<sup>(2)</sup></p> <p>(I<sup>2</sup>C mode only. This bit is cleared when the MSSP module is disabled, SSPEN is cleared.)</p> <p>1 = Indicates that a Stop bit has been detected last (this bit is '0' on Reset)</p> <p>0 = Stop bit was not detected last</p>
bit 3	<p><b>S:</b> Start bit <sup>(2)</sup></p> <p>(I<sup>2</sup>C mode only. This bit is cleared when the MSSP module is disabled, SSPEN is cleared.)</p> <p>1 = Indicates that a Start bit has been detected last (this bit is '0' on Reset)</p> <p>0 = Start bit was not detected last</p>
bit 2	<p><b>R/W:</b> Read/Write bit information (I<sup>2</sup>C mode only)</p> <p>This bit holds the R/W bit information following the last address match. This bit is only valid from the address match to the next Start bit, Stop bit, or not ACK bit.</p> <p><u>In I<sup>2</sup>C Slave mode:</u></p> <p>1 = Read</p> <p>0 = Write</p> <p><u>In I<sup>2</sup>C Master mode:</u></p> <p>1 = Transmit is in progress</p> <p>0 = Transmit is not in progress</p> <p>OR-ing this bit with SEN, RSEN, PEN, RCEN or ACKEN will indicate if the MSSP is in Idle mode.</p>
bit 1	<p><b>UA:</b> Update Address bit (10-bit I<sup>2</sup>C mode only)</p> <p>1 = Indicates that the user needs to update the address in the SSPADD register</p> <p>0 = Address does not need to be updated</p>
bit 0	<p><b>BF:</b> Buffer Full Status bit</p> <p><u>Receive (SPI and I<sup>2</sup>C modes):</u></p> <p>1 = Receive complete, SSPBUF is full</p> <p>0 = Receive not complete, SSPBUF is empty</p> <p><u>Transmit (I<sup>2</sup>C mode only):</u></p> <p>1 = Data transmit in progress (does not include the <u>ACK</u> and Stop bits), SSPBUF is full</p> <p>0 = Data transmit complete (does not include the <u>ACK</u> and Stop bits), SSPBUF is empty</p>

- Note 1:** Polarity of clock state is set by the CKP bit of the SSP1CON register.
- Note 2:** This bit is cleared on Reset and when SSPEN is cleared.

# PIC16(L)F18313/18323

## REGISTER 30-2: SSP1CON1: SSP CONTROL REGISTER 1

R/C/HS-0/0	R/C/HS-0/0	R/W-0/0	R/W-0/0	R/W-0/0	R/W-0/0	R/W-0/0	R/W-0/0
WCOL	SSPOV <sup>(1)</sup>	SSPEN	CKP	SSPM<3:0>			
bit 7							bit 0

### Legend:

R = Readable bit	W = Writable bit	U = Unimplemented bit, read as '0'
u = Bit is unchanged	x = Bit is unknown	-n/n = Value at POR and BOR/Value at all other Resets
'1' = Bit is set	'0' = Bit is cleared	HS = Bit is set by hardware C = User cleared

- bit 7      **WCOL:** Write Collision Detect bit (Transmit mode only)  
 1 = The SSPBUF register is written while it is still transmitting the previous word (must be cleared in software)  
 0 = No collision
- bit 6      **SSPOV:** Receive Overflow Indicator bit<sup>(1)</sup>  
In SPI mode:  
 1 = A new byte is received while the SSPBUF register is still holding the previous data. In case of overflow, the data in SSPSR is lost. Overflow can only occur in Slave mode. In Slave mode, the user must read the SSPBUF, even if only transmitting data, to avoid setting overflow. In Master mode, the overflow bit is not set since each new reception (and transmission) is initiated by writing to the SSPBUF register (must be cleared in software).  
 0 = No overflow  
In I<sup>2</sup>C mode:  
 1 = A byte is received while the SSPBUF register is still holding the previous byte. SSPOV is a "don't care" in Transmit mode (must be cleared in software).  
 0 = No overflow
- bit 5      **SSPEN:** Synchronous Serial Port Enable bit  
 In both modes, when enabled, the following pins must be properly configured as input or output  
In SPI mode:  
 1 = Enables serial port and configures SCK, SDO, SDI and  $\overline{SS}$  as the source of the serial port pins<sup>(2)</sup>  
 0 = Disables serial port and configures these pins as I/O port pins  
In I<sup>2</sup>C mode:  
 1 = Enables the serial port and configures the SDA and SCL pins as the source of the serial port pins<sup>(3)</sup>  
 0 = Disables serial port and configures these pins as I/O port pins
- bit 4      **CKP:** Clock Polarity Select bit  
In SPI mode:  
 1 = Idle state for clock is a high level  
 0 = Idle state for clock is a low level  
In I<sup>2</sup>C Slave mode:  
 SCL release control  
 1 = Enable clock  
 0 = Holds clock low (clock stretch). (Used to ensure data setup time.)  
In I<sup>2</sup>C Master mode:  
 Unused in this mode

## REGISTER 30-2: SSP1CON1: SSP CONTROL REGISTER 1 (CONTINUED)

bit 3-0      **SSPM<3:0>**: Synchronous Serial Port Mode Select bits

- 1111 = I<sup>2</sup>C Slave mode, 10-bit address with Start and Stop bit interrupts enabled
- 1110 = I<sup>2</sup>C Slave mode, 7-bit address with Start and Stop bit interrupts enabled
- 1101 = Reserved
- 1100 = Reserved
- 1011 = I<sup>2</sup>C firmware controlled Master mode (slave idle)
- 1010 = SPI Master mode, clock =  $F_{osc}/(4 * (SSPADD+1))^{(5)}$
- 1001 = Reserved
- 1000 = I<sup>2</sup>C Master mode, clock =  $F_{osc} / (4 * (SSPADD+1))^{(4)}$
- 0111 = I<sup>2</sup>C Slave mode, 10-bit address
- 0110 = I<sup>2</sup>C Slave mode, 7-bit address
- 0101 = SPI Slave mode, clock = SCK pin,  $\overline{SS}$  pin control disabled,  $\overline{SS}$  can be used as I/O pin
- 0100 = SPI Slave mode, clock = SCK pin,  $\overline{SS}$  pin control enabled
- 0011 = SPI Master mode, clock =  $T2\_match/2$
- 0010 = SPI Master mode, clock =  $F_{osc}/64$
- 0001 = SPI Master mode, clock =  $F_{osc}/16$
- 0000 = SPI Master mode, clock =  $F_{osc}/4$

- Note 1:** In Master mode, the overflow bit is not set since each new reception (and transmission) is initiated by writing to the SSPBUF register.
- 2:** When enabled, these pins must be properly configured as input or output. Use SSP1SSPPS, SSP1CLKPPS, SSP1DATPPS, and RxyPPS to select the pins.
- 3:** When enabled, the SDA and SCL pins must be configured as inputs. Use SSP1CLKPPS, SSP1DATPPS, and RxyPPS to select the pins.
- 4:** SSPADD values of 0, 1 or 2 are not supported for I<sup>2</sup>C mode.
- 5:** SSPADD value of '0' is not supported. Use SSPM = 0000 instead.

# PIC16(L)F18313/18323

## REGISTER 30-3: SSP1CON2: SSP1 CONTROL REGISTER 2 (I<sup>2</sup>C MODE ONLY)<sup>(1)</sup>

R/W-0/0	R/HS/HC-0	R/W-0/0	R/S/HC-0/0	R/S/HC-0/0	R/S/HC-0/0	R/S/HC-0/0	R/S/HC-0/0
GCEN	ACKSTAT	ACKDT	ACKEN	RCEN	PEN	RSEN	SEN
bit 7							bit 0

### Legend:

R = Readable bit	W = Writable bit	U = Unimplemented bit, read as '0'
u = Bit is unchanged	x = Bit is unknown	-n/n = Value at POR and BOR/Value at all other Resets
'1' = Bit is set	'0' = Bit is cleared	HC = Cleared by hardware S = User set

- bit 7      **GCEN:** General Call Enable bit (in I<sup>2</sup>C Slave mode only)  
1 = Enable interrupt when a general call address (0x00 or 00h) is received in the SSPSR  
0 = General call address disabled
- bit 6      **ACKSTAT:** Acknowledge Status bit (in I<sup>2</sup>C mode only)  
1 = Acknowledge was not received  
0 = Acknowledge was received
- bit 5      **ACKDT:** Acknowledge Data bit (in I<sup>2</sup>C mode only)  
In Receive mode:  
Value transmitted when the user initiates an Acknowledge sequence at the end of a receive  
1 = Not Acknowledge  
0 = Acknowledge
- bit 4      **ACKEN:** Acknowledge Sequence Enable bit (in I<sup>2</sup>C Master mode only)  
In Master Receive mode:  
1 = Initiate Acknowledge sequence on SDA and SCL pins, and transmit ACKDT data bit.  
Automatically cleared by hardware.  
0 = Acknowledge sequence idle
- bit 3      **RCEN:** Receive Enable bit (in I<sup>2</sup>C Master mode only)  
1 = Enables Receive mode for I<sup>2</sup>C  
0 = Receive idle
- bit 2      **PEN:** Stop Condition Enable bit (in I<sup>2</sup>C Master mode only)  
1 = Initiate Stop condition on SDA and SCL pins. Automatically cleared by hardware.  
0 = Stop condition idle
- bit 1      **RSEN:** Repeated Start Condition Enable bit (in I<sup>2</sup>C Master mode only)  
1 = Initiate Repeated Start condition on SDA and SCL pins. Automatically cleared by hardware.  
0 = Repeated Start condition idle
- bit 0      **SEN:** Start Condition Enable/Stretch Enable bit  
In Master mode:  
1 = Initiate Start condition on SDA and SCL pins. Automatically cleared by hardware.  
0 = Start condition idle  
In Slave mode:  
1 = Clock stretching is enabled for both slave transmit and slave receive (stretch enabled)  
0 = Clock stretching is disabled

**Note 1:** For bits ACKEN, RCEN, PEN, RSEN, SEN: If the I<sup>2</sup>C module is not in the idle state, these bits may not be set (no spooling) and the SSPBUF may not be written.

# PIC16(L)F18313/18323

## REGISTER 30-4: SSP1CON3: SSP CONTROL REGISTER 3

R-0/0	R/W-0/0	R/W-0/0	R/W-0/0	R/W-0/0	R/W-0/0	R/W-0/0	R/W-0/0
ACKTIM <sup>(3)</sup>	PCIE	SCIE	BOEN	SDAHT	SBCDE	AHEN	DHEN
bit 7							bit 0

### Legend:

R = Readable bit	W = Writable bit	U = Unimplemented bit, read as '0'
u = Bit is unchanged	x = Bit is unknown	-n/n = Value at POR and BOR/Value at all other Resets
'1' = Bit is set	'0' = Bit is cleared	

- bit 7      **ACKTIM:** Acknowledge Time Status bit (I<sup>2</sup>C mode only)<sup>(3)</sup>  
 1 = Indicates the I<sup>2</sup>C bus is in an Acknowledge sequence, set on eighth falling edge of SCL clock  
 0 = Not an Acknowledge sequence, cleared on ninth rising edge of SCL clock
- bit 6      **PCIE:** Stop Condition Interrupt Enable bit (I<sup>2</sup>C Slave mode only)  
 1 = Enable interrupt on detection of Stop condition  
 0 = Stop detection interrupts are disabled<sup>(2)</sup>
- bit 5      **SCIE:** Start Condition Interrupt Enable bit (I<sup>2</sup>C Slave mode only)  
 1 = Enable interrupt on detection of Start or Restart conditions  
 0 = Start detection interrupts are disabled<sup>(2)</sup>
- bit 4      **BOEN:** Buffer Overwrite Enable bit  
In SPI Slave mode:<sup>(1)</sup>  
         1 = SSPBUF updates every time that a new data byte is shifted in ignoring the BF bit  
         0 = If new byte is received with BF bit of the SSPSTAT register already set, SSPOV bit of the SSP1CON1 register is set, and the buffer is not updated  
In I<sup>2</sup>C Master mode and SPI Master mode:  
         This bit is ignored.  
In I<sup>2</sup>C Slave mode:  
         1 = SSPBUF is updated and  $\overline{\text{ACK}}$  is generated for a received address/data byte, ignoring the state of the SSPOV bit only if the BF bit = 0.  
         0 = SSPBUF is only updated when SSPOV is clear
- bit 3      **SDAHT:** SDA Hold Time Selection bit (I<sup>2</sup>C mode only)  
 1 = Minimum of 300 ns hold time on SDA after the falling edge of SCL  
 0 = Minimum of 100 ns hold time on SDA after the falling edge of SCL
- bit 2      **SBCDE:** Slave Mode Bus Collision Detect Enable bit (I<sup>2</sup>C Slave mode only)  
 If, on the rising edge of SCL, SDA is sampled low when the module is outputting a high state, the BCL1IF bit of the PIR1 register is set, and bus goes idle  
 1 = Enable slave bus collision interrupts  
 0 = Slave bus collision interrupts are disabled
- bit 1      **AHEN:** Address Hold Enable bit (I<sup>2</sup>C Slave mode only)  
 1 = Following the eighth falling edge of SCL for a matching received address byte; CKP bit of the SSP1CON1 register will be cleared by hardware and the SCL will be held low.  
 0 = Address holding is disabled
- bit 0      **DHEN:** Data Hold Enable bit (I<sup>2</sup>C Slave mode only)  
 1 = Following the eighth falling edge of SCL for a received data byte; slave hardware clears the CKP bit of the SSP1CON1 register and SCL is held low.  
 0 = Data holding is disabled

- Note 1:** For daisy-chained SPI operation; allows the user to ignore all but the last received byte. SSPOV is still set when a new byte is received and BF = 1, but hardware continues to write the most recent byte to SSPBUF.
- 2:** This bit has no effect in Slave modes that Start and Stop condition detection is explicitly listed as enabled.
- 3:** The ACKTIM Status bit is only active when the AHEN bit or DHEN bit is set.

# PIC16(L)F18313/18323

## REGISTER 30-5: SSP1MSK: SSP MASK REGISTER

R/W-1/1	R/W-1/1	R/W-1/1	R/W-1/1	R/W-1/1	R/W-1/1	R/W-1/1	R/W-1/1
SSP1MSK<7:0>							
bit 7							bit 0

### Legend:

R = Readable bit	W = Writable bit	U = Unimplemented bit, read as '0'
u = Bit is unchanged	x = Bit is unknown	-n/n = Value at POR and BOR/Value at all other Resets
'1' = Bit is set	'0' = Bit is cleared	

- bit 7-1      **SSP1MSK<7:1>**: Mask bits  
 1 = The received address bit n is compared to SSPADD<n> to detect I<sup>2</sup>C address match  
 0 = The received address bit n is not used to detect I<sup>2</sup>C address match
- bit 0      **SSP1MSK<0>**: Mask bit for I<sup>2</sup>C Slave mode, 10-bit Address  
I<sup>2</sup>C Slave mode, 10-bit address (SSPM<3:0> = 0111 or 1111):  
 1 = The received address bit 0 is compared to SSPADD<0> to detect I<sup>2</sup>C address match  
 0 = The received address bit 0 is not used to detect I<sup>2</sup>C address match  
I<sup>2</sup>C Slave mode, 7-bit address:  
 MSK0 bit is ignored.

## REGISTER 30-6: SSP1ADD: SSP ADDRESS AND BAUD RATE REGISTER (I<sup>2</sup>C MODE)

R/W-0/0	R/W-0/0	R/W-0/0	R/W-0/0	R/W-0/0	R/W-0/0	R/W-0/0	R/W-0/0
SSP1ADD<7:0>							
bit 7							bit 0

### Legend:

R = Readable bit	W = Writable bit	U = Unimplemented bit, read as '0'
u = Bit is unchanged	x = Bit is unknown	-n/n = Value at POR and BOR/Value at all other Resets
'1' = Bit is set	'0' = Bit is cleared	

### Master mode:

- bit 7-0      **SSP1ADD<7:0>**: Baud Rate Clock Divider bits  
 SCL pin clock period = ((ADD<7:0> + 1) \* 4) / Fosc

### 10-bit Slave mode – Most Significant Address Byte:

- bit 7-3      **Not used:** Unused for Most Significant Address Byte. Bit state of this register is a “don’t care”. Bit pattern sent by master is fixed by I<sup>2</sup>C specification and must be equal to ‘11110’. However, those bits are compared by hardware and are not affected by the value in this register.
- bit 2-1      **SSP1ADD<2:1>**: Two Most Significant bits of 10-bit address
- bit 0      **Not used:** Unused in this mode. Bit state is a “don’t care”.

### 10-bit Slave mode – Least Significant Address Byte:

- bit 7-0      **SSP1ADD<7:0>**: Eight Least Significant bits of 10-bit address

### 7-bit Slave mode:

- bit 7-1      **SSP1ADD<7:1>**: 7-bit address
- bit 0      **Not used:** Unused in this mode. Bit state is a “don’t care”.



# PIC16(L)F18313/18323

## REGISTER 30-7: SSP1BUF: SSP BUFFER REGISTER

R/W-x/u	R/W-x/u	R/W-x/u	R/W-x/u	R/W-x/u	R/W-x/u	R/W-x/u	R/W-x/u
SSP1BUF<7:0>							
bit 7							bit 0

### Legend:

R = Readable bit	W = Writable bit	U = Unimplemented bit, read as '0'
u = Bit is unchanged	x = Bit is unknown	-n/n = Value at POR and BOR/Value at all other Resets
'1' = Bit is set	'0' = Bit is cleared	

bit 7-0      **SSP1BUF<7:0>**: MSSP Buffer bits

**TABLE 30-3: SUMMARY OF REGISTERS ASSOCIATED WITH MSSP1**

Name	Bit 7	Bit 6	Bit 5	Bit 4	Bit 3	Bit 2	Bit 1	Bit 0	Register on Page
TRISA	—	—	TRISA5	TRISA4	— <sup>(3)</sup>	TRISA2	TRISA1	TRISA0	131
ANSELA	—	—	ANSA5	ANSA4	—	ANSA2	ANSA1	ANSA0	132
INLVLA <sup>(1)</sup>	—	—	INLVLA5	INLVLA4	INLVLA3	INLVLA2	INLVLA1	INLVLA0	134
TRISC <sup>(2)</sup>	—	—	TRISC5	TRISC4	TRISC3	TRISC2	TRISC1	TRISC0	138
ANSELC <sup>(2)</sup>	—	—	ANSC5	ANSC4	ANSC3	ANSC2	ANSC1	ANSC0	139
INLVLC <sup>(1,2)</sup>	—	—	INLVLC5	INLVLC4	INLVLC3	INLVLC2	INLVLC1	INLVLC0	141
INTCON	GIE	PEIE	—	—	—	—	—	INTEDG	89
PIR1	TMR1GIF	ADIF	RCIF	TXIF	SSP1IF	BCL1IF	TMR2IF	TMR1IF	96
PIE1	TMR1GIE	ADIE	RCIE	TXIE	SSP1IE	BCL1IE	TMR2IE	TMR1IE	91
PIR2	—	C2IF <sup>(2)</sup>	C1IF	NVMIF	—	—	—	NCO1IF	97
PIE2	—	C2IE <sup>(2)</sup>	C1IE	NVMIE	—	—	—	NCO1IE	92
SSP1STAT	SMP	CKE	D/A	P	S	R/W	UA	BF	339
SSP1CON1	WCOL	SSPOV	SSPEN	CKP	SSPM<3:0>				340
SSP1CON2	GCEN	ACKSTAT	ACKDT	ACKEN	RCEN	PEN	RSEN	SEN	342
SSP1CON3	ACKTIM	PCIE	SCIE	BOEN	SDAHT	SBCDE	AHEN	DHEN	343
SSP1MSK	SSP1MSK<7:0>								344
SSP1ADD	SSP1ADD<7:0>								344
SSP1BUF	SSP1BUF<7:0>								345
SSP1CLKPPS	—	—	—	SSP1CLKPPS<4:0>					144
SSP1DATPPS	—	—	—	SSP1DATPPS<4:0>					144
SSP1SSPPS	—	—	—	SSP1SSPPS<4:0>					144

**Legend:** — = Unimplemented location, read as '0'. Shaded cells are not used by the MSSP module

**Note 1:** When using designated I<sup>2</sup>C pins, the associated pin values in INLVLx will be ignored.

**2:** PIC16(L)F18323 only.

**3:** Unimplemented, read as '1'.

# PIC16(L)F18313/18323

## 31.0 ENHANCED UNIVERSAL SYNCHRONOUS ASYNCHRONOUS RECEIVER TRANSMITTER (EUSART1)

The Enhanced Universal Synchronous Asynchronous Receiver Transmitter (EUSART1) module is a serial I/O communications peripheral. It contains all the clock generators, shift registers and data buffers necessary to perform an input or output serial data transfer independent of device program execution. The EUSART1, also known as a Serial Communications Interface (SCI), can be configured as a full-duplex asynchronous system or half-duplex synchronous system. Full-Duplex mode is useful for communications with peripheral systems, such as CRT terminals and personal computers. Half-Duplex Synchronous mode is intended for communications with peripheral devices, such as A/D or D/A integrated circuits, serial EEPROMs or other microcontrollers. These devices typically do not have internal clocks for baud rate generation and require the external clock signal provided by a master synchronous device.

The EUSART1 module includes the following capabilities:

- Full-duplex asynchronous transmit and receive
- Two-character input buffer
- One-character output buffer
- Programmable 8-bit or 9-bit character length
- Address detection in 9-bit mode
- Input buffer overrun error detection
- Received character framing error detection
- Half-duplex synchronous master
- Half-duplex synchronous slave
- Programmable clock polarity in synchronous modes
- Sleep operation

The EUSART1 module implements the following additional features, making it ideally suited for use in Local Interconnect Network (LIN) bus systems:

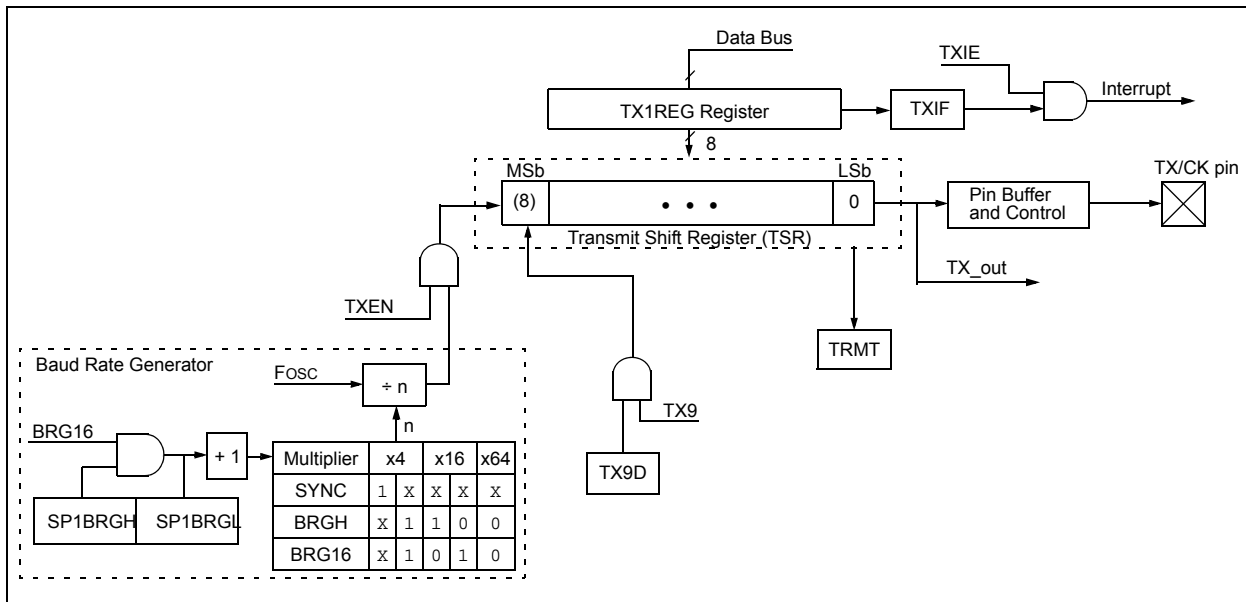
- Automatic detection and calibration of the baud rate
- Wake-up on Break reception
- 13-bit Break character transmit

Block diagrams of the EUSART1 transmitter and receiver are shown in [Figure 31-1](#) and [Figure 31-2](#).

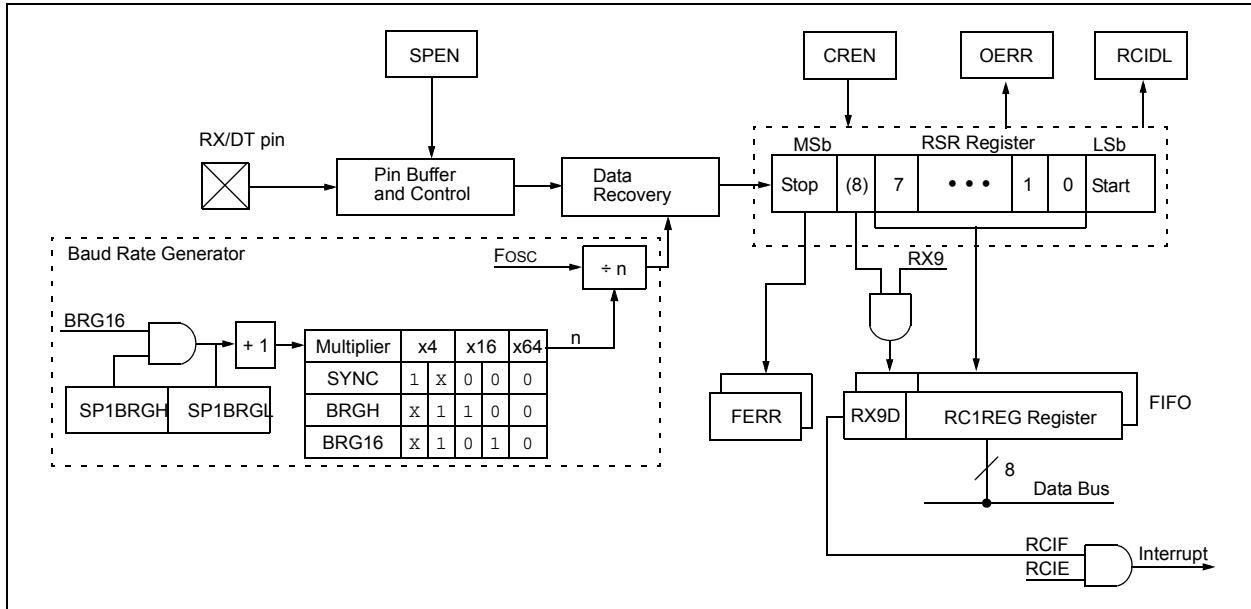
The EUSART1 transmit output (TX\_out) is available to the TX/CK pin and internally to the following peripherals:

- Configurable Logic Cell (CLC)

**FIGURE 31-1: EUSART1 TRANSMIT BLOCK DIAGRAM**



**FIGURE 31-2: EUSART1 RECEIVE BLOCK DIAGRAM**



The operation of the EUSART1 module is controlled through three registers:

- Transmit Status and Control (TX1STA)
- Receive Status and Control (RC1STA)
- Baud Rate Control (BAUD1CON)

These registers are detailed in [Register 31-1](#), [Register 31-2](#) and [Register 31-3](#), respectively.

The RX and CK input pins are selected with the RXPPS and CKPPS registers, respectively. TX, CK, and DT output pins are selected with each pin's RxyPPS register. Since the RX input is coupled with the DT output in Synchronous mode, it is the user's responsibility to select the same pin for both of these functions when operating in Synchronous mode. The EUSART1 control logic will control the data direction drivers automatically.

# PIC16(L)F18313/18323

## 31.1 EUSART1 Asynchronous Mode

The EUSART1 transmits and receives data using the standard non-return-to-zero (NRZ) format. NRZ is implemented with two levels: a VOH Mark state which represents a '1' data bit, and a VOL Space state which represents a '0' data bit. NRZ refers to the fact that consecutively transmitted data bits of the same value stay at the output level of that bit without returning to a neutral level between each bit transmission. An NRZ transmission port idles in the Mark state. Each character transmission consists of one Start bit followed by eight or nine data bits and is always terminated by one or more Stop bits. The Start bit is always a space and the Stop bits are always marks. The most common data format is eight bits. Each transmitted bit persists for a period of  $1/(\text{Baud Rate})$ . An on-chip dedicated 8-bit/16-bit Baud Rate Generator is used to derive standard baud rate frequencies from the system oscillator. See [Table 31-3](#) for examples of baud rate configurations.

The EUSART1 transmits and receives the LSb first. The EUSART1's transmitter and receiver are functionally independent, but share the same data format and baud rate. Parity is not supported by the hardware, but can be implemented in software and stored as the ninth data bit.

### 31.1.1 EUSART1 ASYNCHRONOUS TRANSMITTER

The EUSART1 transmitter block diagram is shown in [Figure 31-1](#). The heart of the transmitter is the serial Transmit Shift Register (TSR), which is not directly accessible by software. The TSR obtains its data from the transmit buffer, which is the TX1REG register.

#### 31.1.1.1 Enabling the Transmitter

The EUSART1 transmitter is enabled for asynchronous operations by configuring the following three control bits:

- TXEN = 1
- SYNC = 0
- SPEN = 1

All other EUSART1 control bits are assumed to be in their default state.

Setting the TXEN bit of the TX1STA register enables the transmitter circuitry of the EUSART1. Clearing the SYNC bit of the TX1STA register configures the EUSART1 for asynchronous operation. Setting the SPEN bit of the RC1STA register enables the EUSART1 and automatically configures the TX/CK I/O pin as an output. If the TX/CK pin is shared with an analog peripheral, the analog I/O function must be disabled by clearing the corresponding ANSEL bit.

**Note:** The TXIF Transmitter Interrupt flag is set when the TXEN enable bit is set.

#### 31.1.1.2 Transmitting Data

A transmission is initiated by writing a character to the TX1REG register. If this is the first character, or the previous character has been completely flushed from the TSR, the data in the TX1REG is immediately transferred to the TSR register. If the TSR still contains all or part of a previous character, the new character data is held in the TX1REG until the Stop bit of the previous character has been transmitted. The pending character in the TX1REG is then transferred to the TSR in one Tcy immediately following the Stop bit transmission. The transmission of the Start bit, data bits and Stop bit sequence commences immediately following the transfer of the data to the TSR from the TX1REG.

#### 31.1.1.3 Transmit Data Polarity

The polarity of the transmit data can be controlled with the SCKP bit of the BAUD1CON register. The default state of this bit is '0' which selects high true transmit idle and data bits. Setting the SCKP bit to '1' will invert the transmit data resulting in low true idle and data bits. The SCKP bit controls transmit data polarity in Asynchronous mode only. In Synchronous mode, the SCKP bit has a different function. See [Section 31.4.1.2 "Clock Polarity"](#).

#### 31.1.1.4 Transmit Interrupt Flag

The TXIF interrupt flag bit of the PIR1 register is set whenever the EUSART1 transmitter is enabled and no character is being held for transmission in the TX1REG. In other words, the TXIF bit is only clear when the TSR is busy with a character and a new character has been queued for transmission in the TX1REG. The TXIF flag bit is not cleared immediately upon writing TX1REG. TXIF becomes valid in the second instruction cycle following the write execution. Polling TXIF immediately following the TX1REG write will return invalid results. The TXIF bit is read-only, it cannot be set or cleared by software.

The TXIF interrupt can be enabled by setting the TXIE interrupt enable bit of the PIE1 register. However, the TXIF flag bit will be set whenever the TX1REG is empty, regardless of the state of TXIE enable bit.

To use interrupts when transmitting data, set the TXIE bit only when there is more data to send. Clear the TXIE interrupt enable bit upon writing the last character of the transmission to the TX1REG.

## 31.1.1.5 TSR Status

The TRMT bit of the TX1STA register indicates the status of the TSR register. This is a read-only bit. The TRMT bit is set when the TSR register is empty and is cleared when a character is transferred to the TSR register from the TX1REG. The TRMT bit remains clear until all bits have been shifted out of the TSR register. No interrupt logic is tied to this bit, so the user has to poll this bit to determine the TSR status.

**Note:** The TSR register is not mapped in data memory, so it is not available to the user.

## 31.1.1.6 Transmitting 9-bit Characters

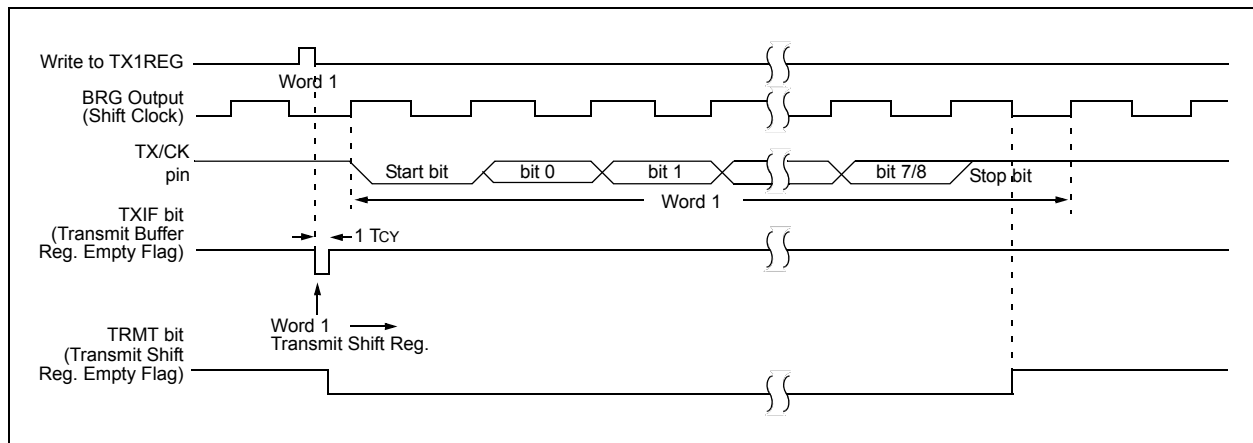
The EUSART1 supports 9-bit character transmissions. When the TX9 bit of the TX1STA register is set, the EUSART1 will shift nine bits out for each character transmitted. The TX9D bit of the TX1STA register is the ninth, and Most Significant data bit. When transmitting 9-bit data, the TX9D data bit must be written before writing the eight Least Significant bits into the TX1REG. All nine bits of data will be transferred to the TSR shift register immediately after the TX1REG is written.

A special 9-bit Address mode is available for use with multiple receivers. See [Section 31.1.2.7 “Address Detection”](#) for more information on the Address mode.

## 31.1.1.7 Asynchronous Transmission Set-up

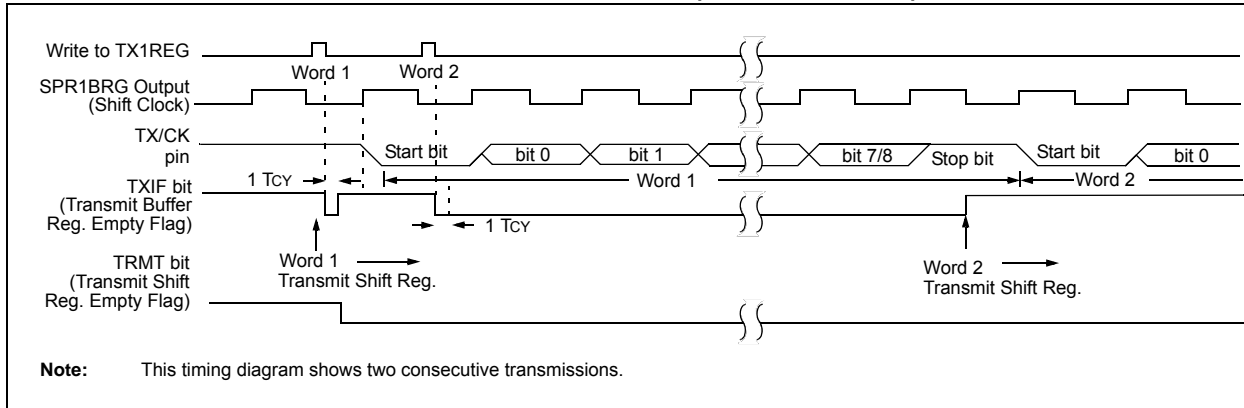
1. Initialize the SP1BRGH, SP1BRGL register pair and the BRGH and BRG16 bits to achieve the desired baud rate (see [Section 31.3 “EUSART1 Baud Rate Generator \(BRG\)”](#)).
2. Enable the asynchronous serial port by clearing the SYNC bit and setting the SPEN bit.
3. If 9-bit transmission is desired, set the TX9 control bit. A set ninth data bit will indicate that the eight Least Significant data bits are an address when the receiver is set for address detection.
4. Set SCKP bit if inverted transmit is desired.
5. Enable the transmission by setting the TXEN control bit. This will cause the TXIF interrupt bit to be set.
6. If interrupts are desired, set the TXIE interrupt enable bit of the PIE1 register. An interrupt will occur immediately provided that the GIE and PEIE bits of the INTCON register are also set.
7. If 9-bit transmission is selected, the ninth bit should be loaded into the TX9D data bit.
8. Load 8-bit data into the TX1REG register. This will start the transmission.

**FIGURE 31-3: ASYNCHRONOUS TRANSMISSION**



# PIC16(L)F18313/18323

**FIGURE 31-4: ASYNCHRONOUS TRANSMISSION (BACK-TO-BACK)**



## 31.1.2 EUSART1 ASYNCHRONOUS RECEIVER

The Asynchronous mode is typically used in RS-232 systems. The receiver block diagram is shown in Figure 31-2. The data is received on the RX/DT pin and drives the data recovery block. The data recovery block is actually a high-speed shifter operating at 16 times the baud rate, whereas the serial Receive Shift Register (RSR) operates at the bit rate. When all eight or nine bits of the character have been shifted in, they are immediately transferred to a two character First-In-First-Out (FIFO) memory. The FIFO buffering allows reception of two complete characters and the start of a third character before software must start servicing the EUSART1 receiver. The FIFO and RSR registers are not directly accessible by software. Access to the received data is via the RC1REG register.

### 31.1.2.1 Enabling the Receiver

The EUSART1 receiver is enabled for asynchronous operation by configuring the following three control bits:

- CREN = 1
- SYNC = 0
- SPEN = 1

All other EUSART1 control bits are assumed to be in their default state.

Setting the CREN bit of the RC1STA register enables the receiver circuitry of the EUSART1. Clearing the SYNC bit of the TX1STA register configures the EUSART1 for asynchronous operation. Setting the SPEN bit of the RC1STA register enables the EUSART1. The programmer must set the corresponding TRIS bit to configure the RX/DT I/O pin as an input.

**Note:** If the RX/DT function is on an analog pin, the corresponding ANSEL bit must be cleared for the receiver to function.

### 31.1.2.2 Receiving Data

The receiver data recovery circuit initiates character reception on the falling edge of the first bit. The first bit, also known as the Start bit, is always a zero. The data recovery circuit counts one-half bit time to the center of the Start bit and verifies that the bit is still a zero. If it is not a zero then the data recovery circuit aborts character reception, without generating an error, and resumes looking for the falling edge of the Start bit. If the Start bit zero verification succeeds then the data recovery circuit counts a full bit time to the center of the next bit. The bit is then sampled by a majority detect circuit and the resulting '0' or '1' is shifted into the RSR. This repeats until all data bits have been sampled and shifted into the RSR. One final bit time is measured and the level sampled. This is the Stop bit, which is always a '1'. If the data recovery circuit samples a '0' in the Stop bit position then a framing error is set for this character, otherwise the framing error is cleared for this character. See Section 31.1.2.4 "Receive Framing Error" for more information on framing errors.

Immediately after all data bits and the Stop bit have been received, the character in the RSR is transferred to the EUSART1 receive FIFO and the RCIF interrupt flag bit of the PIR1 register is set. The top character in the FIFO is transferred out of the FIFO by reading the RC1REG register.

**Note:** If the receive FIFO is overrun, no additional characters will be received until the Overrun condition is cleared. See Section 31.1.2.5 "Receive Overrun Error" for more information on overrun errors.

## 31.1.2.3 Receive Interrupts

The RCIF interrupt flag bit of the PIR1 register is set whenever the EUSART1 receiver is enabled and there is an unread character in the receive FIFO. The RCIF interrupt flag bit is read-only, it cannot be set or cleared by software.

RCIF interrupts are enabled by setting all of the following bits:

- RCIE, Interrupt Enable bit of the PIE1 register
- PEIE, Peripheral Interrupt Enable bit of the INTCON register
- GIE, Global Interrupt Enable bit of the INTCON register

The RCIF interrupt flag bit will be set when there is an unread character in the FIFO, regardless of the state of interrupt enable bits.

## 31.1.2.4 Receive Framing Error

Each character in the receive FIFO buffer has a corresponding framing error Status bit. A framing error indicates that a Stop bit was not seen at the expected time. The framing error status is accessed via the FERR bit of the RC1STA register. The FERR bit represents the status of the top unread character in the receive FIFO. Therefore, the FERR bit must be read before reading the RC1REG.

The FERR bit is read-only and only applies to the top unread character in the receive FIFO. A framing error (FERR = 1) does not preclude reception of additional characters. It is not necessary to clear the FERR bit. Reading the next character from the FIFO buffer will advance the FIFO to the next character and the next corresponding framing error.

The FERR bit can be forced clear by clearing the SPEN bit of the RC1STA register which resets the EUSART1. Clearing the CREN bit of the RC1STA register does not affect the FERR bit. A framing error by itself does not generate an interrupt.

<b>Note:</b> If all receive characters in the receive FIFO have framing errors, repeated reads of the RC1REG will not clear the FERR bit.
-------------------------------------------------------------------------------------------------------------------------------------------

## 31.1.2.5 Receive Overrun Error

The receive FIFO buffer can hold two characters. An overrun error will be generated if a third character, in its entirety, is received before the FIFO is accessed. When this happens the OERR bit of the RC1STA register is set. The characters already in the FIFO buffer can be read but no additional characters will be received until the error is cleared. The error must be cleared by either clearing the CREN bit of the RC1STA register or by resetting the EUSART1 by clearing the SPEN bit of the RC1STA register.

## 31.1.2.6 Receiving 9-bit Characters

The EUSART1 supports 9-bit character reception. When the RX9 bit of the RC1STA register is set the EUSART1 will shift nine bits into the RSR for each character received. The RX9D bit of the RC1STA register is the ninth and Most Significant data bit of the top unread character in the receive FIFO. When reading 9-bit data from the receive FIFO buffer, the RX9D data bit must be read before reading the eight Least Significant bits from the RC1REG.

## 31.1.2.7 Address Detection

A special Address Detection mode is available for use when multiple receivers share the same transmission line, such as in RS-485 systems. Address detection is enabled by setting the ADDEN bit of the RC1STA register.

Address detection requires 9-bit character reception. When address detection is enabled, only characters with the ninth data bit set will be transferred to the receive FIFO buffer, thereby setting the RCIF interrupt bit. All other characters will be ignored.

Upon receiving an address character, user software determines if the address matches its own. Upon address match, user software must disable address detection by clearing the ADDEN bit before the next Stop bit occurs. When user software detects the end of the message, determined by the message protocol used, software places the receiver back into the Address Detection mode by setting the ADDEN bit.

# PIC16(L)F18313/18323

## 31.1.2.8 Asynchronous Reception Setup

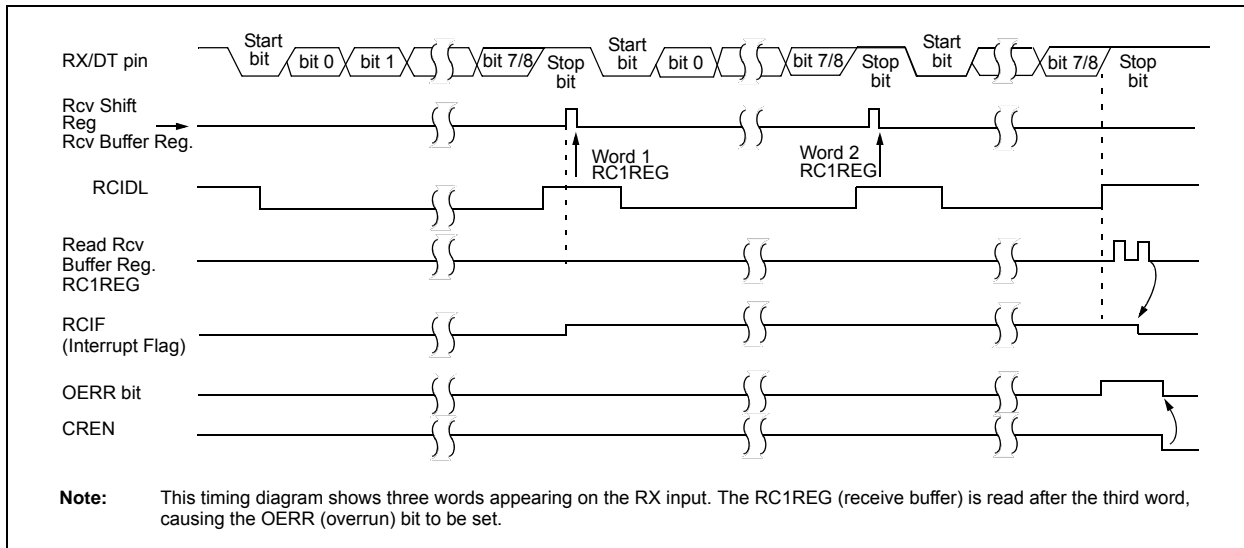
1. Initialize the SP1BRGH, SP1BRGL register pair and the BRGH and BRG16 bits to achieve the desired baud rate (see [Section 31.3 “EUSART1 Baud Rate Generator \(BRG\)”](#)).
2. Clear the ANSEL bit for the RX pin (if applicable).
3. Enable the serial port by setting the SPEN bit. The SYNC bit must be clear for asynchronous operation.
4. If interrupts are desired, set the RCIE bit of the PIE1 register and the GIE and PEIE bits of the INTCON register.
5. If 9-bit reception is desired, set the RX9 bit.
6. Enable reception by setting the CREN bit.
7. The RCIF interrupt flag bit will be set when a character is transferred from the RSR to the receive buffer. An interrupt will be generated if the RCIE interrupt enable bit was also set.
8. Read the RC1STA register to get the error flags and, if 9-bit data reception is enabled, the ninth data bit.
9. Get the received eight Least Significant data bits from the receive buffer by reading the RC1REG register.
10. If an overrun occurred, clear the OERR flag by clearing the CREN receiver enable bit.

## 31.1.2.9 9-bit Address Detection Mode Setup

This mode would typically be used in RS-485 systems. To set up an Asynchronous Reception with Address Detect Enable:

1. Initialize the SP1BRGH, SP1BRGL register pair and the BRGH and BRG16 bits to achieve the desired baud rate (see [Section 31.3 “EUSART1 Baud Rate Generator \(BRG\)”](#)).
2. Clear the ANSEL bit for the RX pin (if applicable).
3. Enable the serial port by setting the SPEN bit. The SYNC bit must be clear for asynchronous operation.
4. If interrupts are desired, set the RCIE bit of the PIE1 register and the GIE and PEIE bits of the INTCON register.
5. Enable 9-bit reception by setting the RX9 bit.
6. Enable address detection by setting the ADDEN bit.
7. Enable reception by setting the CREN bit.
8. The RCIF interrupt flag bit will be set when a character with the ninth bit set is transferred from the RSR to the receive buffer. An interrupt will be generated if the RCIE interrupt enable bit was also set.
9. Read the RC1STA register to get the error flags. The ninth data bit will always be set.
10. Get the received eight Least Significant data bits from the receive buffer by reading the RC1REG register. Software determines if this is the device's address.
11. If an overrun occurred, clear the OERR flag by clearing the CREN receiver enable bit.
12. If the device has been addressed, clear the ADDEN bit to allow all received data into the receive buffer and generate interrupts.

**FIGURE 31-5: ASYNCHRONOUS RECEPTION**





## 31.2 Clock Accuracy with Asynchronous Operation

The factory calibrates the internal oscillator block output (INTOSC). However, the INTOSC frequency may drift as V<sub>DD</sub> or temperature changes, and this directly affects the asynchronous baud rate. Two methods may be used to adjust the baud rate clock, but both require a reference clock source of some kind.

The first (preferred) method uses the OSCTUNE register to adjust the INTOSC output. Adjusting the value in the OSCTUNE register allows for fine resolution changes to the system clock source. See [Section 7.2.2.3 “Internal Oscillator Frequency Adjustment”](#) for more information.

The other method adjusts the value in the Baud Rate Generator. This can be done automatically with the Auto-Baud Detect feature (see [Section 31.3.1 “Auto-Baud Detect”](#)). There may not be fine enough resolution when adjusting the Baud Rate Generator to compensate for a gradual change in the peripheral clock frequency.

## 31.3 EUSART1 Baud Rate Generator (BRG)

The Baud Rate Generator (BRG) is an 8-bit or 16-bit timer that is dedicated to the support of both the asynchronous and synchronous EUSART1 operation. By default, the BRG operates in 8-bit mode. Setting the BRG16 bit of the BAUD1CON register selects 16-bit mode.

The SP1BRGH, SP1BRGL register pair determines the period of the free running baud rate timer. In Asynchronous mode the multiplier of the baud rate period is determined by both the BRGH bit of the TX1STA register and the BRG16 bit of the BAUD1CON register. In Synchronous mode, the BRGH bit is ignored.

[Table 31-1](#) contains the formulas for determining the baud rate. [Example 31-1](#) provides a sample calculation for determining the baud rate and baud rate error.

Typical baud rates and error values for various asynchronous modes have been computed for your convenience and are shown in [Table 31-3](#). It may be advantageous to use the high baud rate (BRGH = 1), or the 16-bit BRG (BRG16 = 1) to reduce the baud rate error. The 16-bit BRG mode is used to achieve slow baud rates for fast oscillator frequencies.

Writing a new value to the SP1BRGH, SP1BRGL register pair causes the BRG timer to be reset (or cleared). This ensures that the BRG does not wait for a timer overflow before outputting the new baud rate.

If the system clock is changed during an active receive operation, a receive error or data loss may result. To avoid this problem, check the status of the RCIDL bit to make sure that the receive operation is idle before changing the system clock.

### EXAMPLE 31-1: CALCULATING BAUD RATE ERROR

For a device with F<sub>OSC</sub> of 16 MHz, desired baud rate of 9600, Asynchronous mode, 8-bit SP1BRG:

$$\text{Desired Baud Rate} = \frac{F_{OSC}}{64(SP1BRGH:SP1BRGL + 1)}$$

Solving for SP1BRGH:SP1BRGL:

$$X = \frac{F_{OSC}}{\text{Desired Baud Rate}} - 1$$

$$= \frac{16000000}{9600} - 1$$

$$= [25.042] = 25$$

$$\text{Calculated Baud Rate} = \frac{16000000}{64(25 + 1)}$$

$$= 9615$$

$$\text{Error} = \frac{\text{Calc. Baud Rate} - \text{Desired Baud Rate}}{\text{Desired Baud Rate}}$$

$$= \frac{(9615 - 9600)}{9600} = 0.16\%$$

# PIC16(L)F18313/18323

## 31.3.1 AUTO-BAUD DETECT

The EUSART1 module supports automatic detection and calibration of the baud rate.

In the Auto-Baud Detect (ABD) mode, the clock to the BRG is reversed. Rather than the BRG clocking the incoming RX signal, the RX signal is timing the BRG. The Baud Rate Generator is used to time the period of a received 55h (ASCII “U”) which is the Sync character for the LIN bus. The unique feature of this character is that it has five rising edges including the Stop bit edge.

Setting the ABDEN bit of the BAUD1CON register starts the auto-baud calibration sequence. While the ABD sequence takes place, the EUSART1 state machine is held in Idle. On the first rising edge of the receive line, after the Start bit, the SPBRG begins counting up using the BRG counter clock as shown in Figure 31-6. The fifth rising edge will occur on the RX pin at the end of the eighth bit period. At that time, an accumulated value totaling the proper BRG period is left in the SP1BRGH, SP1BRGL register pair, the ABDEN bit is automatically cleared and the RCIF interrupt flag is set. The value in the RC1REG needs to be read to clear the RCIF interrupt. RC1REG content should be discarded. When calibrating for modes that do not use the SP1BRGH register the user can verify that the SP1BRGL register did not overflow by checking for 00h in the SP1BRGH register.

The BRG auto-baud clock is determined by the BRG16 and BRGH bits as shown in Table 31-1. During ABD, both the SP1BRGH and SP1BRGL registers are used as a 16-bit counter, independent of the BRG16 bit setting. While calibrating the baud rate period, the SP1BRGH and SP1BRGL registers are clocked at

1/8th the BRG base clock rate. The resulting byte measurement is the average bit time when clocked at full speed.

**Note 1:** If the WUE bit is set with the ABDEN bit, auto-baud detection will occur on the byte following the Break character (see Section 31.3.3 “Auto-Wake-up on Break”).

**2:** It is up to the user to determine that the incoming character baud rate is within the range of the selected BRG clock source. Some combinations of oscillator frequency and EUSART1 baud rates are not possible.

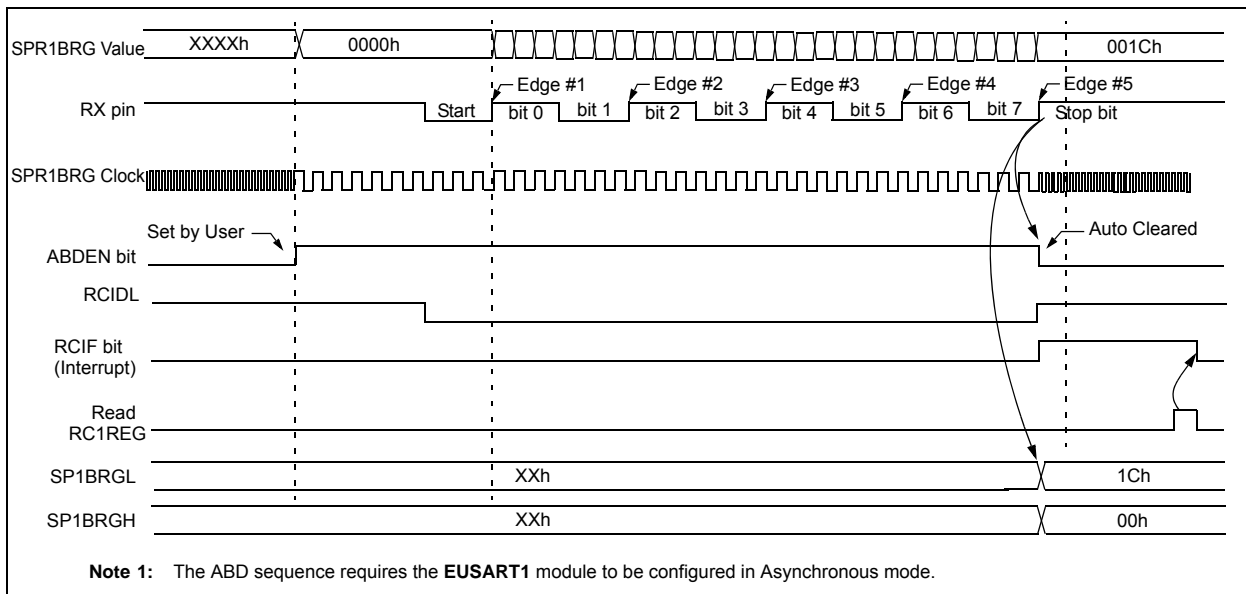
**3:** During the auto-baud process, the auto-baud counter starts counting at one. Upon completion of the auto-baud sequence, to achieve maximum accuracy, subtract 1 from the SP1BRGH:SP1BRGL register pair.

**TABLE 31-1: BRG COUNTER CLOCK RATES**

BRG16	BRGH	BRG Base Clock	BRG ABD Clock
0	0	Fosc/64	Fosc/512
0	1	Fosc/16	Fosc/128
1	0	Fosc/16	Fosc/128
1	1	Fosc/4	Fosc/32

**Note:** During the ABD sequence, SP1BRGL and SP1BRGH registers are both used as a 16-bit counter, independent of the BRG16 setting.

**FIGURE 31-6: AUTOMATIC BAUD RATE CALIBRATION**



## 31.3.2 AUTO-BAUD OVERFLOW

During the course of automatic-baud detection, the ABDOVF bit of the BAUD1CON register will be set if the baud rate counter overflows before the fifth rising edge is detected on the RX pin. The ABDOVF bit indicates that the counter has exceeded the maximum count that can fit in the 16 bits of the SP1BRGH:SP1BRGL register pair. The Overflow condition will set the RCIF flag. The counter continues to count until the fifth rising edge is detected on the RX pin. The RCIDL bit will remain false ('0') until the fifth rising edge at which time the RCIDL bit will be set. If the RC1REG is read after the overflow occurs but before the fifth rising edge, then the fifth rising edge will set the RCIF again.

Terminating the auto-baud process early to clear an Overflow condition will prevent proper detection of the sync character fifth rising edge. If any falling edges of the sync character have not yet occurred when the ABDEN bit is cleared, then those will be falsely detected as Start bits. The following steps are recommended to clear the Overflow condition:

1. Read RC1REG to clear RCIF
2. If RCIDL is zero, then wait for RCIF and repeat step 1
3. Clear the ABDOVF bit

## 31.3.3 AUTO-WAKE-UP ON BREAK

During Sleep mode, all clocks to the EUSART1 are suspended. Because of this, the Baud Rate Generator is inactive and a proper character reception cannot be performed. The Auto-Wake-up feature allows the controller to wake-up due to activity on the RX/DT line. This feature is available only in Asynchronous mode.

The Auto-Wake-up feature is enabled by setting the WUE bit of the BAUD1CON register. Once set, the normal receive sequence on RX/DT is disabled, and the EUSART1 remains in an Idle state, monitoring for a wake-up event independent of the CPU mode. A wake-up event consists of a high-to-low transition on the RX/DT line. (This coincides with the start of a Sync Break or a wake-up signal character for the LIN protocol.)

The EUSART1 module generates an RCIF interrupt coincident with the wake-up event. The interrupt is generated synchronously to the Q clocks in normal CPU operating modes (Figure 31-7), and asynchronously if the device is in Sleep mode (Figure 31-8). The Interrupt condition is cleared by reading the RC1REG register.

The WUE bit is automatically cleared by the low-to-high transition on the RX line at the end of the Break. This signals to the user that the Break event is over. At this point, the EUSART1 module is in Idle mode waiting to receive the next character.

## 31.3.3.1 Special Considerations

### Break Character

To avoid character errors or character fragments during a wake-up event, the wake-up character must be all zeros.

When the wake-up is enabled the function works independent of the low time on the data stream. If the WUE bit is set and a valid non-zero character is received, the low time from the Start bit to the first rising edge will be interpreted as the wake-up event. The remaining bits in the character will be received as a fragmented character and subsequent characters can result in framing or overrun errors.

Therefore, the initial character in the transmission must be all '0's. This must be ten or more bit times, 13-bit times recommended for LIN bus, or any number of bit times for standard RS-232 devices.

### Oscillator Start-up Time

Oscillator start-up time must be considered, especially in applications using oscillators with longer start-up intervals (i.e., LP, XT or HS/PLL mode). The Sync Break (or wake-up signal) character must be of sufficient length, and be followed by a sufficient interval, to allow enough time for the selected oscillator to start and provide proper initialization of the EUSART1.

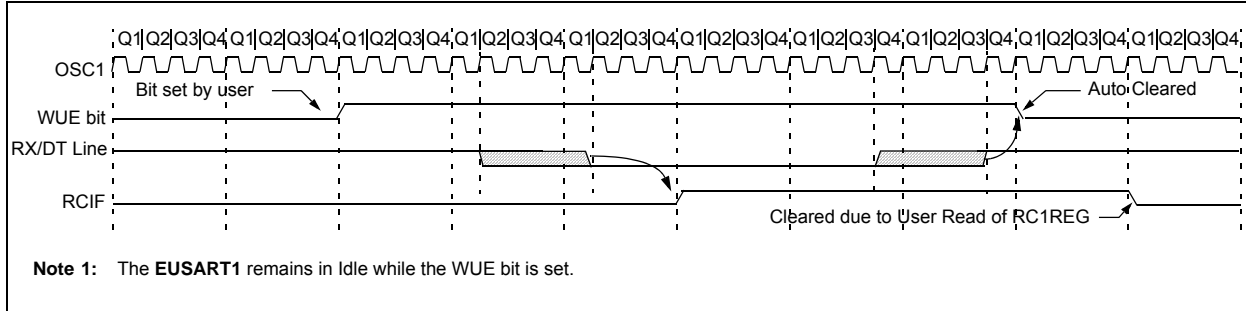
### WUE Bit

The wake-up event causes a receive interrupt by setting the RCIF bit. The WUE bit is cleared in hardware by a rising edge on RX/DT. The Interrupt condition is then cleared in software by reading the RC1REG register and discarding its contents.

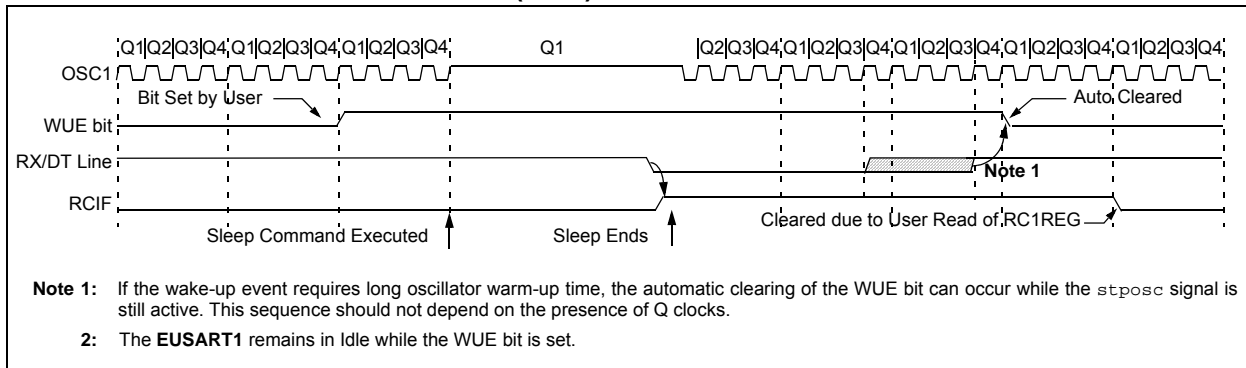
To ensure that no actual data is lost, check the RCIDL bit to verify that a receive operation is not in process before setting the WUE bit. If a receive operation is not occurring, the WUE bit may then be set just prior to entering the Sleep mode.

# PIC16(L)F18313/18323

**FIGURE 31-7: AUTO-WAKE-UP BIT (WUE) TIMING DURING NORMAL OPERATION**



**FIGURE 31-8: AUTO-WAKE-UP BIT (WUE) TIMINGS DURING SLEEP**



## 31.3.4 BREAK CHARACTER SEQUENCE

The EUSART1 module has the capability of sending the special Break character sequences that are required by the LIN bus standard. A Break character consists of a Start bit, followed by 12 '0' bits and a Stop bit.

To send a Break character, set the SENDB and TXEN bits of the TX1STA register. The Break character transmission is then initiated by a write to the TX1REG. The value of data written to TX1REG will be ignored and all '0's will be transmitted.

The SENDB bit is automatically reset by hardware after the corresponding Stop bit is sent. This allows the user to preload the transmit FIFO with the next transmit byte following the Break character (typically, the Sync character in the LIN specification).

The TRMT bit of the TX1STA register indicates when the transmit operation is active or idle, just as it does during normal transmission. See [Figure 31-9](#) for the timing of the Break character sequence.

### 31.3.4.1 Break and Sync Transmit Sequence

The following sequence will start a message frame header made up of a Break, followed by an auto-baud Sync byte. This sequence is typical of a LIN bus master.

1. Configure the EUSART1 for the desired mode.
2. Set the TXEN and SENDB bits to enable the Break sequence.
3. Load the TX1REG with a dummy character to initiate transmission (the value is ignored).
4. Write '55h' to TX1REG to load the Sync character into the transmit FIFO buffer.
5. After the Break has been sent, the SENDB bit is reset by hardware and the Sync character is then transmitted.

When the TX1REG becomes empty, as indicated by the TXIF, the next data byte can be written to TX1REG.

## 31.3.5 RECEIVING A BREAK CHARACTER

The EUSART1 module can receive a Break character in two ways.

The first method to detect a Break character uses the FERR bit of the RC1STA register and the received data as indicated by RC1REG. The Baud Rate Generator is assumed to have been initialized to the expected baud rate.

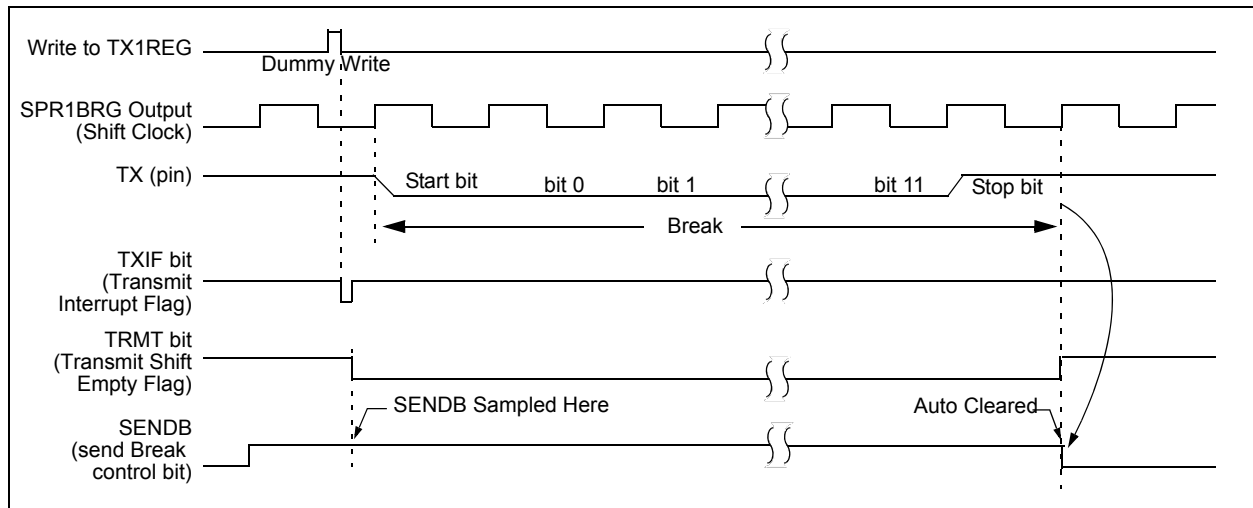
A Break character has been received when;

- RCIF bit is set
- FERR bit is set
- RC1REG = 00h

The second method uses the Auto-Wake-up feature described in [Section 31.3.3 “Auto-Wake-up on Break”](#). By enabling this feature, the EUSART1 will sample the next two transitions on RX/DT, cause an RCIF interrupt, and receive the next data byte followed by another interrupt.

Note that following a Break character, the user will typically want to enable the Auto-Baud Detect feature. For both methods, the user can set the ABDEN bit of the BAUD1CON register before placing the EUSART1 in Sleep mode.

**FIGURE 31-9: SEND BREAK CHARACTER SEQUENCE**



# PIC16(L)F18313/18323

## 31.4 EUSART1 Synchronous Mode

Synchronous serial communications are typically used in systems with a single master and one or more slaves. The master device contains the necessary circuitry for baud rate generation and supplies the clock for all devices in the system. Slave devices can take advantage of the master clock by eliminating the internal clock generation circuitry.

There are two signal lines in Synchronous mode: a bidirectional data line and a clock line. Slaves use the external clock supplied by the master to shift the serial data into and out of their respective receive and transmit shift registers. Since the data line is bidirectional, synchronous operation is half-duplex only. Half-duplex refers to the fact that master and slave devices can receive and transmit data but not both simultaneously. The EUSART1 can operate as either a master or slave device.

Start and Stop bits are not used in synchronous transmissions.

### 31.4.1 SYNCHRONOUS MASTER MODE

The following bits are used to configure the EUSART1 for synchronous master operation:

- SYNC = 1
- CSRC = 1
- SREN = 0 (for transmit); SREN = 1 (for receive)
- CREN = 0 (for transmit); CREN = 1 (for receive)
- SPEN = 1

Setting the SYNC bit of the TX1STA register configures the device for synchronous operation. Setting the CSRC bit of the TX1STA register configures the device as a master. Clearing the SREN and CREN bits of the RC1STA register ensures that the device is in the Transmit mode, otherwise the device will be configured to receive. Setting the SPEN bit of the RC1STA register enables the EUSART1.

#### 31.4.1.1 Master Clock

Synchronous data transfers use a separate clock line, which is synchronous with the data. A device configured as a master transmits the clock on the TX/CK line. The TX/CK pin output driver is automatically enabled when the EUSART1 is configured for synchronous transmit or receive operation. Serial data bits change on the leading edge to ensure they are valid at the trailing edge of each clock. One clock cycle is generated for each data bit. Only as many clock cycles are generated as there are data bits.

#### 31.4.1.2 Clock Polarity

A clock polarity option is provided for Microwire compatibility. Clock polarity is selected with the SCKP bit of the BAUD1CON register. Setting the SCKP bit sets the clock Idle state as high. When the SCKP bit is set, the data changes on the falling edge of each clock. Clearing the SCKP bit sets the Idle state as low. When the SCKP bit is cleared, the data changes on the rising edge of each clock.

#### 31.4.1.3 Synchronous Master Transmission

Data is transferred out of the device on the RX/DT pin. The RX/DT and TX/CK pin output drivers are automatically enabled when the EUSART1 is configured for synchronous master transmit operation.

A transmission is initiated by writing a character to the TX1REG register. If the TSR still contains all or part of a previous character the new character data is held in the TX1REG until the last bit of the previous character has been transmitted. If this is the first character, or the previous character has been completely flushed from the TSR, the data in the TX1REG is immediately transferred to the TSR. The transmission of the character commences immediately following the transfer of the data to the TSR from the TX1REG.

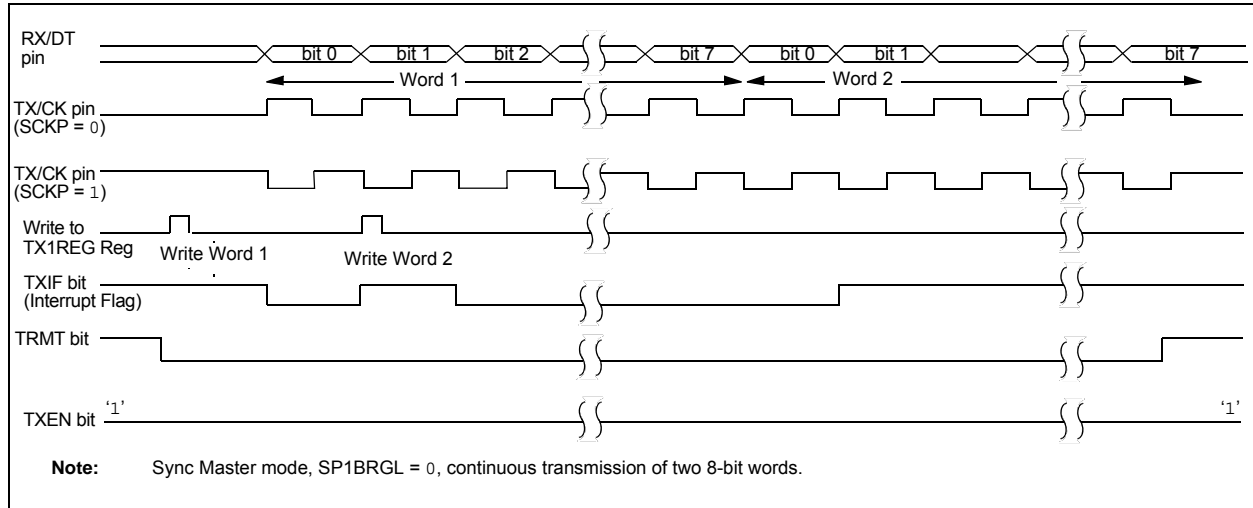
Each data bit changes on the leading edge of the master clock and remains valid until the subsequent leading clock edge.

**Note:** The TSR register is not mapped in data memory, so it is not available to the user.

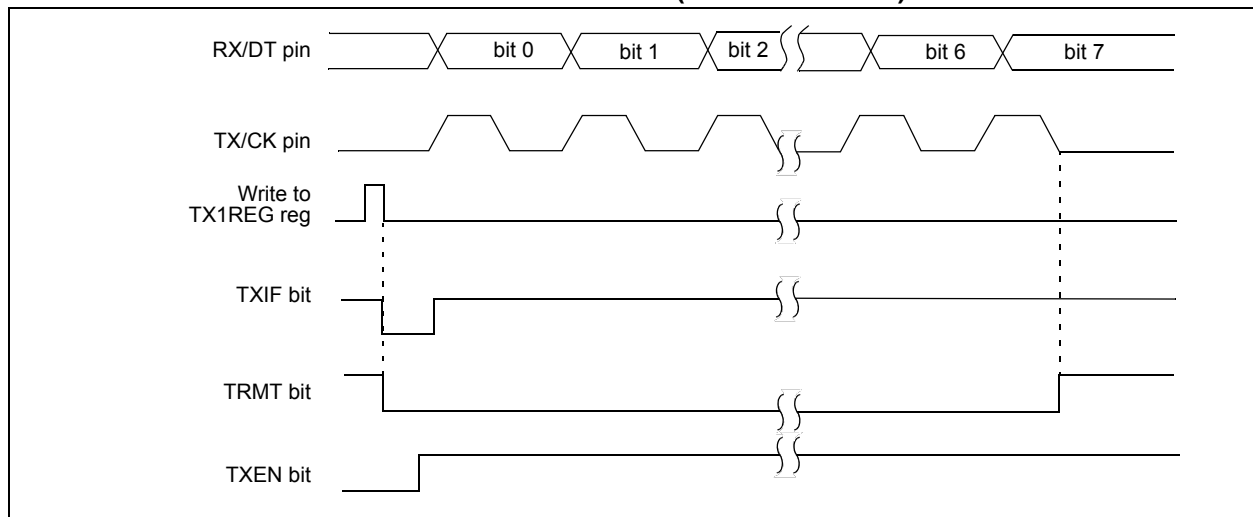
#### 31.4.1.4 Synchronous Master Transmission Set-up

1. Initialize the SP1BRGH, SP1BRGL register pair and the BRGH and BRG16 bits to achieve the desired baud rate (see [Section 31.3 “EUSART1 Baud Rate Generator \(BRG\)”](#)).
2. Enable the synchronous master serial port by setting bits SYNC, SPEN and CSRC.
3. Disable Receive mode by clearing bits SREN and CREN.
4. Enable Transmit mode by setting the TXEN bit.
5. If 9-bit transmission is desired, set the TX9 bit.
6. If interrupts are desired, set the TXIE bit of the PIE1 register and the GIE and PEIE bits of the INTCON register.
7. If 9-bit transmission is selected, the ninth bit should be loaded in the TX9D bit.
8. Start transmission by loading data to the TX1REG register.

**FIGURE 31-10: SYNCHRONOUS TRANSMISSION**



**FIGURE 31-11: SYNCHRONOUS TRANSMISSION (THROUGH TXEN)**



### 31.4.1.5 Synchronous Master Reception

Data is received at the RX/DT pin. The RX/DT pin output driver is automatically disabled when the EUSART1 is configured for synchronous master receive operation.

In Synchronous mode, reception is enabled by setting either the Single Receive Enable bit (SREN of the RC1STA register) or the Continuous Receive Enable bit (CREN of the RC1STA register).

When SREN is set and CREN is clear, only as many clock cycles are generated as there are data bits in a single character. The SREN bit is automatically cleared at the completion of one character. When CREN is set, clocks are continuously generated until CREN is cleared. If CREN is cleared in the middle of a character the CK clock stops immediately and the partial character is discarded. If SREN and CREN are both set, then SREN is cleared at the completion of the first character and CREN takes precedence.

To initiate reception, set either SREN or CREN. Data is sampled at the RX/DT pin on the trailing edge of the TX/CK clock pin and is shifted into the Receive Shift Register (RSR). When a complete character is received into the RSR, the RCIF bit is set and the character is automatically transferred to the two character receive FIFO. The Least Significant eight bits of the top character in the receive FIFO are available in RC1REG. The RCIF bit remains set as long as there are unread characters in the receive FIFO.

**Note:** If the RX/DT function is on an analog pin, the corresponding ANSEL bit must be cleared for the receiver to function.



# PIC16(L)F18313/18323

## 31.4.1.6 Slave Clock

Synchronous data transfers use a separate clock line, which is synchronous with the data. A device configured as a slave receives the clock on the TX/CK line. The TX/CK pin output driver is automatically disabled when the device is configured for synchronous slave transmit or receive operation. Serial data bits change on the leading edge to ensure they are valid at the trailing edge of each clock. One data bit is transferred for each clock cycle. Only as many clock cycles should be received as there are data bits.

**Note:** If the device is configured as a slave and the TX/CK function is on an analog pin, the corresponding ANSEL bit must be cleared.

## 31.4.1.7 Receive Overrun Error

The receive FIFO buffer can hold two characters. An overrun error will be generated if a third character, in its entirety, is received before RC1REG is read to access the FIFO. When this happens the OERR bit of the RC1STA register is set. Previous data in the FIFO will not be overwritten. The two characters in the FIFO buffer can be read, however, no additional characters will be received until the error is cleared. The OERR bit can only be cleared by clearing the Overrun condition. If the overrun error occurred when the SREN bit is set and CREN is clear then the error is cleared by reading RC1REG. If the overrun occurred when the CREN bit is set then the Error condition is cleared by either clearing the CREN bit of the RC1STA register or by clearing the SPEN bit which resets the EUSART1.

## 31.4.1.8 Receiving 9-bit Characters

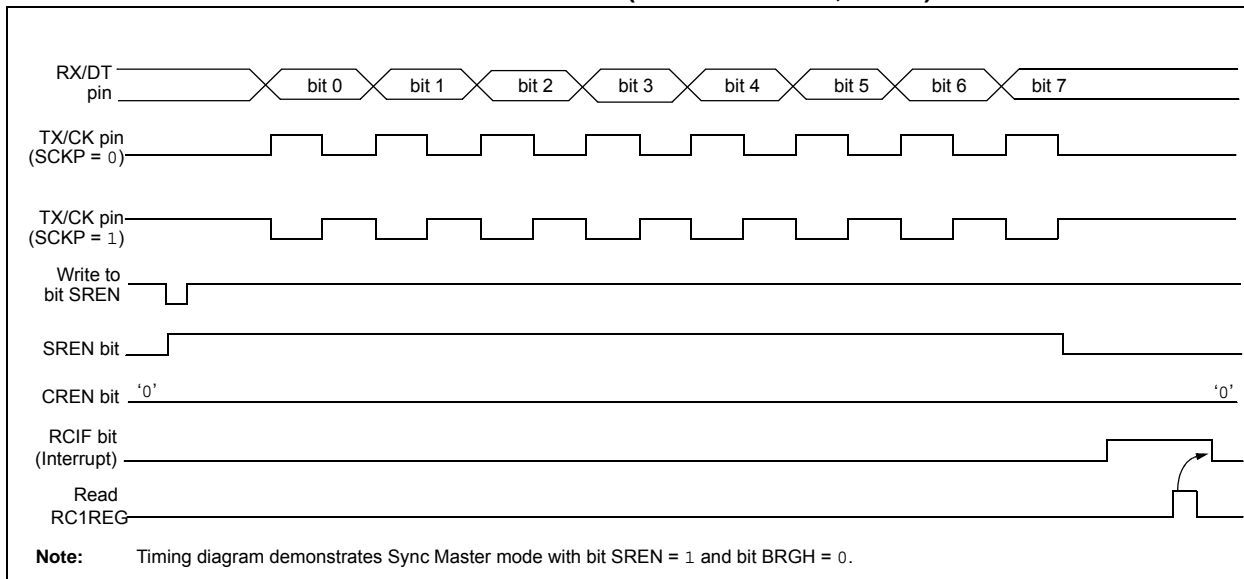
The EUSART1 supports 9-bit character reception. When the RX9 bit of the RC1STA register is set the EUSART1 will shift nine bits into the RSR for each

character received. The RX9D bit of the RC1STA register is the ninth, and Most Significant, data bit of the top unread character in the receive FIFO. When reading 9-bit data from the receive FIFO buffer, the RX9D data bit must be read before reading the eight Least Significant bits from the RC1REG.

## 31.4.1.9 Synchronous Master Reception Set-up

1. Initialize the SP1BRGH, SP1BRGL register pair for the appropriate baud rate. Set or clear the BRGH and BRG16 bits, as required, to achieve the desired baud rate.
2. Clear the ANSEL bit for the RX pin (if applicable).
3. Enable the synchronous master serial port by setting bits SYNC, SPEN and CSRC.
4. Ensure bits CREN and SREN are clear.
5. If interrupts are desired, set the RCIE bit of the PIE1 register and the GIE and PEIE bits of the INTCON register.
6. If 9-bit reception is desired, set bit RX9.
7. Start reception by setting the SREN bit or for continuous reception, set the CREN bit.
8. Interrupt flag bit RCIF will be set when reception of a character is complete. An interrupt will be generated if the enable bit RCIE was set.
9. Read the RC1STA register to get the ninth bit (if enabled) and determine if any error occurred during reception.
10. Read the 8-bit received data by reading the RC1REG register.
11. If an overrun error occurs, clear the error by either clearing the CREN bit of the RC1STA register or by clearing the SPEN bit which resets the EUSART1.

**FIGURE 31-12: SYNCHRONOUS RECEPTION (MASTER MODE, SREN)**





## 31.4.2 SYNCHRONOUS SLAVE MODE

The following bits are used to configure the EUSART1 for synchronous slave operation:

- SYNC = 1
- CSRC = 0
- SREN = 0 (for transmit); SREN = 1 (for receive)
- CREN = 0 (for transmit); CREN = 1 (for receive)
- SPEN = 1

Setting the SYNC bit of the TX1STA register configures the device for synchronous operation. Clearing the CSRC bit of the TX1STA register configures the device as a slave. Clearing the SREN and CREN bits of the RC1STA register ensures that the device is in the Transmit mode, otherwise the device will be configured to receive. Setting the SPEN bit of the RC1STA register enables the EUSART1.

### 31.4.2.1 EUSART1 Synchronous Slave Transmit

The operation of the Synchronous Master and Slave modes are identical (see [Section 31.4.1.3 “Synchronous Master Transmission”](#)), except in the case of the Sleep mode.

If two words are written to the TX1REG and then the SLEEP instruction is executed, the following will occur:

1. The first character will immediately transfer to the TSR register and transmit.
2. The second word will remain in the TX1REG register.
3. The TXIF bit will not be set.
4. After the first character has been shifted out of TSR, the TX1REG register will transfer the second character to the TSR and the TXIF bit will now be set.
5. If the PEIE and TXIE bits are set, the interrupt will wake the device from Sleep and execute the next instruction. If the GIE bit is also set, the program will call the Interrupt Service Routine.

### 31.4.2.2 Synchronous Slave Transmission Set-up

1. Set the SYNC and SPEN bits and clear the CSRC bit.
2. Clear the ANSEL bit for the CK pin (if applicable).
3. Clear the CREN and SREN bits.
4. If interrupts are desired, set the TXIE bit of the PIE1 register and the GIE and PEIE bits of the INTCON register.
5. If 9-bit transmission is desired, set the TX9 bit.
6. Enable transmission by setting the TXEN bit.
7. If 9-bit transmission is selected, insert the Most Significant bit into the TX9D bit.
8. Start transmission by writing the Least Significant eight bits to the TX1REG register.

### 31.4.2.3 EUSART1 Synchronous Slave Reception

The operation of the Synchronous Master and Slave modes is identical ([Section 31.4.1.5 “Synchronous Master Reception”](#)), with the following exceptions:

- Sleep
- CREN bit is always set, therefore the receiver is never idle
- SREN bit, which is a “don’t care” in Slave mode

A character may be received while in Sleep mode by setting the CREN bit prior to entering Sleep. Once the word is received, the RSR register will transfer the data to the RC1REG register. If the RCIE enable bit is set, the interrupt generated will wake the device from Sleep and execute the next instruction. If the GIE bit is also set, the program will branch to the interrupt vector.

### 31.4.2.4 Synchronous Slave Reception Set-up

1. Set the SYNC and SPEN bits and clear the CSRC bit.
2. Clear the ANSEL bit for both the CK and DT pins (if applicable).
3. If interrupts are desired, set the RCIE bit of the PIE1 register and the GIE and PEIE bits of the INTCON register.
4. If 9-bit reception is desired, set the RX9 bit.
5. Set the CREN bit to enable reception.
6. The RCIF bit will be set when reception is complete. An interrupt will be generated if the RCIE bit was set.
7. If 9-bit mode is enabled, retrieve the Most Significant bit from the RX9D bit of the RC1STA register.
8. Retrieve the eight Least Significant bits from the receive FIFO by reading the RC1REG register.
9. If an overrun error occurs, clear the error by either clearing the CREN bit of the RC1STA register or by clearing the SPEN bit which resets the EUSART1.

# PIC16(L)F18313/18323

---

## 31.5 EUSART1 Operation During Sleep

The EUSART1 will remain active during Sleep only in the Synchronous Slave mode. All other modes require the system clock and therefore cannot generate the necessary signals to run the Transmit or Receive Shift registers during Sleep.

Synchronous Slave mode uses an externally generated clock to run the Transmit and Receive Shift registers.

### 31.5.1 SYNCHRONOUS RECEIVE DURING SLEEP

To receive during Sleep, all the following conditions must be met before entering Sleep mode:

- RC1STA and TX1STA Control registers must be configured for Synchronous Slave Reception (see [Section 31.4.2.4 “Synchronous Slave Reception Set-up”](#)).
- If interrupts are desired, set the RCIE bit of the PIE1 register and the GIE and PEIE bits of the INTCON register.
- The RCIF interrupt flag must be cleared by reading RC1REG to unload any pending characters in the receive buffer.

Upon entering Sleep mode, the device will be ready to accept data and clocks on the RX/DT and TX/CK pins, respectively. When the data word has been completely clocked in by the external device, the RCIF interrupt flag bit of the PIR1 register will be set. Thereby, waking the processor from Sleep.

Upon waking from Sleep, the instruction following the SLEEP instruction will be executed. If the Global Interrupt Enable (GIE) bit of the INTCON register is also set, then the Interrupt Service Routine at address 004h will be called.

### 31.5.2 SYNCHRONOUS TRANSMIT DURING SLEEP

To transmit during Sleep, all the following conditions must be met before entering Sleep mode:

- The RC1STA and TX1STA Control registers must be configured for synchronous slave transmission (see [Section 31.4.2.2 “Synchronous Slave Transmission Set-up”](#)).
- The TXIF interrupt flag must be cleared by writing the output data to the TX1REG, thereby filling the TSR and transmit buffer.
- If interrupts are desired, set the TXIE bit of the PIE1 register and the PEIE bit of the INTCON register.
- Interrupt enable bits TXIE of the PIE1 register and PEIE of the INTCON register must set.

Upon entering Sleep mode, the device will be ready to accept clocks on TX/CK pin and transmit data on the RX/DT pin. When the data word in the TSR has been completely clocked out by the external device, the pending byte in the TX1REG will transfer to the TSR and the TXIF flag will be set. Thereby, waking the processor from Sleep. At this point, the TX1REG is available to accept another character for transmission, which will clear the TXIF flag.

Upon waking from Sleep, the instruction following the SLEEP instruction will be executed. If the Global Interrupt Enable (GIE) bit is also set then the Interrupt Service Routine at address 0004h will be called.

## 31.6 Register Definitions: EUSART1 Control

### REGISTER 31-1: TX1STA: TRANSMIT STATUS AND CONTROL REGISTER

R/W-0/0	R/W-0/0	R/W-0/0	R/W-0/0	R/W-0/0	R/W-0/0	R-1/1	R/W-0/0
CSRC	TX9	TXEN <sup>(1)</sup>	SYNC	SENDB	BRGH	TRMT	TX9D
bit 7						bit 0	

#### Legend:

R = Readable bit

W = Writable bit

U = Unimplemented bit, read as '0'

u = Bit is unchanged

x = Bit is unknown

-n/n = Value at POR and BOR/Value at all other Resets

'1' = Bit is set

'0' = Bit is cleared

- bit 7      **CSRC:** Clock Source Select bit  
Asynchronous mode:  
 Unused in this mode – value ignored  
Synchronous mode:  
 1 = Master mode (clock generated internally from BRG)  
 0 = Slave mode (clock from external source)
- bit 6      **TX9:** 9-bit Transmit Enable bit  
 1 = Selects 9-bit transmission  
 0 = Selects 8-bit transmission
- bit 5      **TXEN:** Transmit Enable bit<sup>(1)</sup>  
 1 = Transmit enabled  
 0 = Transmit disabled
- bit 4      **SYNC:** EUSART1 Mode Select bit  
 1 = Synchronous mode  
 0 = Asynchronous mode
- bit 3      **SENDB:** Send Break Character bit  
Asynchronous mode:  
 1 = Send SYNCH BREAK on next transmission – Start bit, followed by 12 '0' bits, followed by Stop bit; cleared by hardware upon completion  
 0 = SYNCH BREAK transmission disabled or completed  
Synchronous mode:  
 Unused in this mode – value ignored
- bit 2      **BRGH:** High Baud Rate Select bit  
Asynchronous mode:  
 1 = High speed  
 0 = Low speed  
Synchronous mode:  
 Unused in this mode – value ignored
- bit 1      **TRMT:** Transmit Shift Register Status bit  
 1 = TSR empty  
 0 = TSR full
- bit 0      **TX9D:** Ninth bit of Transmit Data  
 Can be address/data bit or a parity bit.

**Note 1:** SREN/CREN overrides TXEN in Sync mode.

# PIC16(L)F18313/18323

## REGISTER 31-2: RC1STA: RECEIVE STATUS AND CONTROL REGISTER

R/W-0/0	R/W-0/0	R/W-0/0	R/W-0/0	R/W-0/0	R-0/0	R-0/0	R-x/x
SPEN <sup>(1)</sup>	RX9	SREN	CREN	ADDEN	FERR	OERR	RX9D
bit 7							bit 0

### Legend:

R = Readable bit	W = Writable bit	U = Unimplemented bit, read as '0'
u = Bit is unchanged	x = Bit is unknown	-n/n = Value at POR and BOR/Value at all other Resets
'1' = Bit is set	'0' = Bit is cleared	

- bit 7      **SPEN:** Serial Port Enable bit<sup>(1)</sup>  
 1 = Serial port enabled  
 0 = Serial port disabled (held in Reset)
- bit 6      **RX9:** 9-bit Receive Enable bit  
 1 = Selects 9-bit reception  
 0 = Selects 8-bit reception
- bit 5      **SREN:** Single Receive Enable bit  
Asynchronous mode:  
 Unused in this mode – value ignored  
Synchronous mode – Master:  
 1 = Enables single receive  
 0 = Disables single receive  
 This bit is cleared after reception is complete.  
Synchronous mode – Slave  
 Unused in this mode – value ignored
- bit 4      **CREN:** Continuous Receive Enable bit  
Asynchronous mode:  
 1 = Enables continuous receive until enable bit CREN is cleared  
 0 = Disables continuous receive  
Synchronous mode:  
 1 = Enables continuous receive until enable bit CREN is cleared (CREN overrides SREN)  
 0 = Disables continuous receive
- bit 3      **ADDEN:** Address Detect Enable bit  
Asynchronous mode 9-bit (RX9 = 1):  
 1 = Enables address detection – enable interrupt and load of the receive buffer when the ninth bit in the receive buffer is set  
 0 = Disables address detection, all bytes are received and ninth bit can be used as parity bit  
Asynchronous mode 8-bit (RX9 = 0):  
 Unused in this mode – value ignored
- bit 2      **FERR:** Framing Error bit  
 1 = Framing error (can be updated by reading RC1REG register and receive next valid byte)  
 0 = No framing error
- bit 1      **OERR:** Overrun Error bit  
 1 = Overrun error (can be cleared by clearing bit CREN)  
 0 = No overrun error
- bit 0      **RX9D:** Ninth bit of Received Data  
 This can be address/data bit or a parity bit and must be calculated by user firmware.

**Note 1:** The EUSART1 module automatically changes the pin from tri-state to drive as needed. Configure the associated TRIS bits for TX/CK and RX/DT to 1.

# PIC16(L)F18313/18323

## REGISTER 31-3: BAUD1CON: BAUD RATE CONTROL REGISTER

R-0/0	R-1/1	U-0	R/W-0/0	R/W-0/0	U-0	R/W-0/0	R/W-0/0
ABDOVF	RCIDL	—	SCKP	BRG16	—	WUE	ABDEN
bit 7							bit 0

### Legend:

R = Readable bit

W = Writable bit

U = Unimplemented bit, read as '0'

u = Bit is unchanged

x = Bit is unknown

-n/n = Value at POR and BOR/Value at all other Resets

'1' = Bit is set

'0' = Bit is cleared

bit 7 **ABDOVF:** Auto-Baud Detect Overflow bit

Asynchronous mode:

1 = Auto-baud timer overflowed

0 = Auto-baud timer did not overflow

Synchronous mode:

Don't care

bit 6 **RCIDL:** Receive Idle Flag bit

Asynchronous mode:

1 = Receiver is idle

0 = Start bit has been received and the receiver is receiving

Synchronous mode:

Don't care

bit 5 **Unimplemented:** Read as '0'

bit 4 **SCKP:** Clock/Transmit Polarity Select bit

Asynchronous mode:

1 = Idle state for transmit (TX) is a low level

0 = Idle state for transmit (TX) is a high level

Synchronous mode:

1 = Idle state for clock (CK) is a high level

0 = Idle state for clock (CK) is a low level

bit 3 **BRG16:** 16-bit Baud Rate Generator bit

1 = 16-bit Baud Rate Generator is used

0 = 8-bit Baud Rate Generator is used

bit 2 **Unimplemented:** Read as '0'

bit 1 **WUE:** Wake-up Enable bit

Asynchronous mode:

1 = EUSART will continue to sample the Rx pin – interrupt generated on falling edge; bit cleared in hardware on following rising edge.

0 = RX pin not monitored nor rising edge detected

Synchronous mode:

Unused in this mode – value ignored

bit 0 **ABDEN:** Auto-Baud Detect Enable bit

Asynchronous mode:

1 = Enable baud rate measurement on the next character – requires reception of a SYNCH field (55h);cleared in hardware upon completion

0 = Baud rate measurement disabled or completed

Synchronous mode:

Unused in this mode – value ignored

# PIC16(L)F18313/18323

## REGISTER 31-4: RC1REG<sup>(1)</sup>: RECEIVE DATA REGISTER

R-0	R-0	R-0	R-0	R-0	R-0	R-0	R-0
RC1REG<7:0>							
bit 7							bit 0

### Legend:

R = Readable bit	W = Writable bit	U = Unimplemented bit, read as '0'
u = Bit is unchanged	x = Bit is unknown	-n/n = Value at POR and BOR/Value at all other Resets
'1' = Bit is set	'0' = Bit is cleared	

bit 7-0 **RC1REG<7:0>**: Lower eight bits of the received data; read-only; see also RX9D ([Register 31-2](#))

**Note 1:** RC1REG (including the ninth bit) is double buffered, and data is available while new data is being received.

## REGISTER 31-5: TX1REG<sup>(1)</sup>: TRANSMIT DATA REGISTER

R/W-0	R/W-0	R/W-0	R/W-0	R/W-0	R/W-0	R/W-0	R/W-0
TX1REG<7:0>							
bit 7							bit 0

### Legend:

R = Readable bit	W = Writable bit	U = Unimplemented bit, read as '0'
u = Bit is unchanged	x = Bit is unknown	-n/n = Value at POR and BOR/Value at all other Resets
'1' = Bit is set	'0' = Bit is cleared	

bit 7-0 **TX1REG<7:0>**: Lower eight bits of the transmit data; read-only; see also TX9D ([Register 31-1](#))

**Note 1:** TX1REG (including the ninth bit) is double buffered, and can be written when previous data has started shifting.

## REGISTER 31-6: SP1BRGL<sup>(1)</sup>: BAUD RATE GENERATOR REGISTER

R/W-0	R/W-0	R/W-0	R/W-0	R/W-0	R/W-0	R/W-0	R/W-0
SP1BRG<7:0>							
bit 7							bit 0

### Legend:

R = Readable bit	W = Writable bit	U = Unimplemented bit, read as '0'
u = Bit is unchanged	x = Bit is unknown	-n/n = Value at POR and BOR/Value at all other Resets
'1' = Bit is set	'0' = Bit is cleared	

bit 7-0 **SP1BRG<7:0>**: Lower eight bits of the Baud Rate Generator

**Note 1:** Writing to SP1BRG resets the BRG counter.

# PIC16(L)F18313/18323

**REGISTER 31-7: SP1BRGH<sup>(1, 2)</sup>: BAUD RATE GENERATOR HIGH REGISTER**

R/W-0	R/W-0	R/W-0	R/W-0	R/W-0	R/W-0	R/W-0	R/W-0
SP1BRG<15:8>							
bit 7							bit 0

**Legend:**

R = Readable bit	W = Writable bit	U = Unimplemented bit, read as '0'
u = Bit is unchanged	x = Bit is unknown	-n/n = Value at POR and BOR/Value at all other Resets
'1' = Bit is set	'0' = Bit is cleared	

bit 7      **SP1BRG<15:8>**: Upper eight bits of the Baud Rate Generator

**Note 1:** SP1BRGH value is ignored for all modes unless BAUD1CON<BRG16> is active.

**2:** Writing to SP1BRGH resets the BRG counter.

**TABLE 31-2: SUMMARY OF REGISTERS ASSOCIATED WITH EUSART1**

Name	Bit 7	Bit 6	Bit 5	Bit 4	Bit 3	Bit 2	Bit 1	Bit 0	Register on Page
TRISA	—	—	TRISA5	TRISA4	— <sup>(2)</sup>	TRISA2	TRISA1	TRISA0	131
ANSELA	—	—	ANSA5	ANSA4	—	ANSA2	ANSA1	ANSA0	132
TRISC <sup>(1)</sup>	—	—	TRISC5	TRISC4	TRISC3	TRISC2	TRISC1	TRISC0	138
ANSELC <sup>(1)</sup>	—	—	ANSC5	ANSC4	ANSC3	ANSC2	ANSC1	ANSC0	139
INTCON	GIE	PEIE	—	—	—	—	—	INTEDG	89
PIR1	TMR1GIF	ADIF	RCIF	TXIF	SSP1IF	BCL1IF	TMR2IF	TMR1IF	96
PIE1	TMR1GIE	ADIE	RCIE	TXIE	SSP1IE	BCL1IE	TMR2IE	TMR1IE	91
RC1STA	SPEN	RX9	SREN	CREN	ADDEN	FERR	OERR	RX9D	364
TX1STA	CSRC	TX9	TXEN	SYNC	SEnDB	BRGH	TRMT	TX9D	363
BAUD1CON	ABDOVF	RCIDL	—	SCKP	BRG16	—	WUE	ABDEN	365
RC1REG	RC1REG<7:0>								366
TX1REG	TX1REG<7:0>								366
SP1BRGL	SP1BRG<7:0>								366
SP1BRGH	SP1BRG<15:8>								367
RXPPS	—	—	—	RXPPS<4:0>				144	
CLCxSELY	—	—	—	LCxDyS<4:0>				210	
MDSRC	—	—	—	—	MDMS<3:0>				253

**Legend:** — = unimplemented location, read as '0'. Shaded cells are not used for the EUSART1 module.

**Note 1:** PIC16(L)F18323 only.

**2:** Unimplemented, read as '1'.

**TABLE 31-3: BAUD RATE FORMULAS**

Configuration Bits			BRG/EUSART1 Mode	Baud Rate Formula
SYNC	BRG16	BRGH		
0	0	0	8-bit/Asynchronous	Fosc/[64 (n+1)]

**Legend:** x = Don't care, n = value of SP1BRGH, SP1BRGL register pair.

# PIC16(L)F18313/18323

**TABLE 31-3: BAUD RATE FORMULAS**

Configuration Bits			BRG/EUSART1 Mode	Baud Rate Formula
SYNC	BRG16	BRGH		
0	0	1	8-bit/Asynchronous	Fosc/[16 (n+1)]
0	1	0	16-bit/Asynchronous	
0	1	1	16-bit/Asynchronous	Fosc/[4 (n+1)]
1	0	x	8-bit/Synchronous	
1	1	x	16-bit/Synchronous	

**Legend:** x = Don't care, n = value of SP1BRGH, SP1BRGL register pair.

**TABLE 31-4: BAUD RATE FOR ASYNCHRONOUS MODES**

BAUD RATE	SYNC = 0, BRGH = 0, BRG16 = 0											
	Fosc = 32.000 MHz			Fosc = 20.000 MHz			Fosc = 18.432 MHz			Fosc = 11.0592 MHz		
	Actual Rate	% Error	SPBRG value (decimal)	Actual Rate	% Error	SPBRG value (decimal)	Actual Rate	% Error	SPBRG value (decimal)	Actual Rate	% Error	SPBRG value (decimal)
300	—	—	—	—	—	—	—	—	—	—	—	—
1200	—	—	—	1221	1.73	255	1200	0.00	239	1200	0.00	143
2400	2404	0.16	207	2404	0.16	129	2400	0.00	119	2400	0.00	71
9600	9615	0.16	51	9470	-1.36	32	9600	0.00	29	9600	0.00	17
10417	10417	0.00	47	10417	0.00	29	10286	-1.26	27	10165	-2.42	16
19.2k	19.23k	0.16	25	19.53k	1.73	15	19.20k	0.00	14	19.20k	0.00	8
57.6k	55.55k	-3.55	3	—	—	—	57.60k	0.00	7	57.60k	0.00	2
115.2k	—	—	—	—	—	—	—	—	—	—	—	—

BAUD RATE	SYNC = 0, BRGH = 0, BRG16 = 0											
	Fosc = 8.000 MHz			Fosc = 4.000 MHz			Fosc = 3.6864 MHz			Fosc = 1.000 MHz		
	Actual Rate	% Error	SPBRG value (decimal)	Actual Rate	% Error	SPBRG value (decimal)	Actual Rate	% Error	SPBRG value (decimal)	Actual Rate	% Error	SPBRG value (decimal)
300	—	—	—	300	0.16	207	300	0.00	191	300	0.16	51
1200	1202	0.16	103	1202	0.16	51	1200	0.00	47	1202	0.16	12
2400	2404	0.16	51	2404	0.16	25	2400	0.00	23	—	—	—
9600	9615	0.16	12	—	—	—	9600	0.00	5	—	—	—
10417	10417	0.00	11	10417	0.00	5	—	—	—	—	—	—
19.2k	—	—	—	—	—	—	19.20k	0.00	2	—	—	—
57.6k	—	—	—	—	—	—	57.60k	0.00	0	—	—	—
115.2k	—	—	—	—	—	—	—	—	—	—	—	—



# PIC16(L)F18313/18323

**TABLE 31-4: BAUD RATE FOR ASYNCHRONOUS MODES (CONTINUED)**

BAUD RATE	SYNC = 0, BRGH = 1, BRG16 = 0											
	Fosc = 32.000 MHz			Fosc = 20.000 MHz			Fosc = 18.432 MHz			Fosc = 11.0592 MHz		
	Actual Rate	% Error	SPBRG value (decimal)	Actual Rate	% Error	SPBRG value (decimal)	Actual Rate	% Error	SPBRG value (decimal)	Actual Rate	% Error	SPBRG value (decimal)
300	—	—	—	—	—	—	—	—	—	—	—	—
1200	—	—	—	—	—	—	—	—	—	—	—	—
2400	—	—	—	—	—	—	—	—	—	—	—	—
9600	9615	0.16	207	9615	0.16	129	9600	0.00	119	9600	0.00	71
10417	10417	0.00	191	10417	0.00	119	10378	-0.37	110	10473	0.53	65
19.2k	19.23k	0.16	103	19.23k	0.16	64	19.20k	0.00	59	19.20k	0.00	35
57.6k	57.14k	-0.79	34	56.82k	-1.36	21	57.60k	0.00	19	57.60k	0.00	11
115.2k	117.64k	2.12	16	113.64k	-1.36	10	115.2k	0.00	9	115.2k	0.00	5

BAUD RATE	SYNC = 0, BRGH = 1, BRG16 = 0											
	Fosc = 8.000 MHz			Fosc = 4.000 MHz			Fosc = 3.6864 MHz			Fosc = 1.000 MHz		
	Actual Rate	% Error	SPBRG value (decimal)	Actual Rate	% Error	SPBRG value (decimal)	Actual Rate	% Error	SPBRG value (decimal)	Actual Rate	% Error	SPBRG value (decimal)
300	—	—	—	—	—	—	—	—	—	300	0.16	207
1200	—	—	—	1202	0.16	207	1200	0.00	191	1202	0.16	51
2400	2404	0.16	207	2404	0.16	103	2400	0.00	95	2404	0.16	25
9600	9615	0.16	51	9615	0.16	25	9600	0.00	23	—	—	—
10417	10417	0.00	47	10417	0.00	23	10473	0.53	21	10417	0.00	5
19.2k	19231	0.16	25	19.23k	0.16	12	19.2k	0.00	11	—	—	—
57.6k	55556	-3.55	8	—	—	—	57.60k	0.00	3	—	—	—
115.2k	—	—	—	—	—	—	115.2k	0.00	1	—	—	—

BAUD RATE	SYNC = 0, BRGH = 0, BRG16 = 1											
	Fosc = 32.000 MHz			Fosc = 20.000 MHz			Fosc = 18.432 MHz			Fosc = 11.0592 MHz		
	Actual Rate	% Error	SPBRG value (decimal)	Actual Rate	% Error	SPBRG value (decimal)	Actual Rate	% Error	SPBRG value (decimal)	Actual Rate	% Error	SPBRG value (decimal)
300	300.0	0.00	6666	300.0	-0.01	4166	300.0	0.00	3839	300.0	0.00	2303
1200	1200	-0.02	3332	1200	-0.03	1041	1200	0.00	959	1200	0.00	575
2400	2401	-0.04	832	2399	-0.03	520	2400	0.00	479	2400	0.00	287
9600	9615	0.16	207	9615	0.16	129	9600	0.00	119	9600	0.00	71
10417	10417	0.00	191	10417	0.00	119	10378	-0.37	110	10473	0.53	65
19.2k	19.23k	0.16	103	19.23k	0.16	64	19.20k	0.00	59	19.20k	0.00	35
57.6k	57.14k	-0.79	34	56.818	-1.36	21	57.60k	0.00	19	57.60k	0.00	11
115.2k	117.6k	2.12	16	113.636	-1.36	10	115.2k	0.00	9	115.2k	0.00	5

# PIC16(L)F18313/18323

**TABLE 31-4: BAUD RATE FOR ASYNCHRONOUS MODES (CONTINUED)**

BAUD RATE	SYNC = 0, BRGH = 0, BRG16 = 1											
	Fosc = 8.000 MHz			Fosc = 4.000 MHz			Fosc = 3.6864 MHz			Fosc = 1.000 MHz		
	Actual Rate	% Error	SPBRG value (decimal)	Actual Rate	% Error	SPBRG value (decimal)	Actual Rate	% Error	SPBRG value (decimal)	Actual Rate	% Error	SPBRG value (decimal)
300	299.9	-0.02	1666	300.1	0.04	832	300.0	0.00	767	300.5	0.16	207
1200	1199	-0.08	416	1202	0.16	207	1200	0.00	191	1202	0.16	51
2400	2404	0.16	207	2404	0.16	103	2400	0.00	95	2404	0.16	25
9600	9615	0.16	51	9615	0.16	25	9600	0.00	23	—	—	—
10417	10417	0.00	47	10417	0.00	23	10473	0.53	21	10417	0.00	5
19.2k	19.23k	0.16	25	19.23k	0.16	12	19.20k	0.00	11	—	—	—
57.6k	55556	-3.55	8	—	—	—	57.60k	0.00	3	—	—	—
115.2k	—	—	—	—	—	—	115.2k	0.00	1	—	—	—

BAUD RATE	SYNC = 0, BRGH = 1, BRG16 = 1 or SYNC = 1, BRG16 = 1											
	Fosc = 32.000 MHz			Fosc = 20.000 MHz			Fosc = 18.432 MHz			Fosc = 11.0592 MHz		
	Actual Rate	% Error	SPBRG value (decimal)	Actual Rate	% Error	SPBRG value (decimal)	Actual Rate	% Error	SPBRG value (decimal)	Actual Rate	% Error	SPBRG value (decimal)
300	300.0	0.00	26666	300.0	0.00	16665	300.0	0.00	15359	300.0	0.00	9215
1200	1200	0.00	6666	1200	-0.01	4166	1200	0.00	3839	1200	0.00	2303
2400	2400	0.01	3332	2400	0.02	2082	2400	0.00	1919	2400	0.00	1151
9600	9604	0.04	832	9597	-0.03	520	9600	0.00	479	9600	0.00	287
10417	10417	0.00	767	10417	0.00	479	10425	0.08	441	10433	0.16	264
19.2k	19.18k	-0.08	416	19.23k	0.16	259	19.20k	0.00	239	19.20k	0.00	143
57.6k	57.55k	-0.08	138	57.47k	-0.22	86	57.60k	0.00	79	57.60k	0.00	47
115.2k	115.9k	0.64	68	116.3k	0.94	42	115.2k	0.00	39	115.2k	0.00	23

BAUD RATE	SYNC = 0, BRGH = 1, BRG16 = 1 or SYNC = 1, BRG16 = 1											
	Fosc = 8.000 MHz			Fosc = 4.000 MHz			Fosc = 3.6864 MHz			Fosc = 1.000 MHz		
	Actual Rate	% Error	SPBRG value (decimal)	Actual Rate	% Error	SPBRG value (decimal)	Actual Rate	% Error	SPBRG value (decimal)	Actual Rate	% Error	SPBRG value (decimal)
300	300.0	0.00	6666	300.0	0.01	3332	300.0	0.00	3071	300.1	0.04	832
1200	1200	-0.02	1666	1200	0.04	832	1200	0.00	767	1202	0.16	207
2400	2401	0.04	832	2398	0.08	416	2400	0.00	383	2404	0.16	103
9600	9615	0.16	207	9615	0.16	103	9600	0.00	95	9615	0.16	25
10417	10417	0	191	10417	0.00	95	10473	0.53	87	10417	0.00	23
19.2k	19.23k	0.16	103	19.23k	0.16	51	19.20k	0.00	47	19.23k	0.16	12
57.6k	57.14k	-0.79	34	58.82k	2.12	16	57.60k	0.00	15	—	—	—
115.2k	117.6k	2.12	16	111.1k	-3.55	8	115.2k	0.00	7	—	—	—

## 32.0 REFERENCE CLOCK OUTPUT MODULE

The Reference Clock Output module provides the ability to send a clock signal to the clock reference output pin (CLKR). The Reference Clock Output can also be used as a signal for other peripherals, such as the Data Signal Modulator (DSM).

The Reference Clock Output module has the following features:

- System clock is the module source clock
- Programmable clock divider
- Selectable duty cycle

### 32.1 Clock Source

The Reference Clock Output module uses the system clock (FOSC) as the clock source. Any device clock switching will be reflected in the clock output.

#### 32.1.1 CLOCK SYNCHRONIZATION

Once the reference clock enable (CLKREN) is set, the module is ensured to be glitch-free at start-up.

When the Reference Clock Output is disabled, the output signal will be disabled immediately.

Clock dividers and clock duty cycles can be changed while the module is enabled, but glitches may occur on the output. To avoid possible glitches, clock dividers and clock duty cycles should be changed only when the CLKREN is clear.

### 32.2 Programmable Clock Divider

The module takes the system clock input and divides it based on the value of the CLKRDIV<2:0> bits of the CLKRCON register ([Register 32-1](#)).

The following configurations can be made based on the CLKRDIV<2:0> bits:

- Base FOSC value
- FOSC divided by 2
- FOSC divided by 4
- FOSC divided by 8
- FOSC divided by 16
- FOSC divided by 32
- FOSC divided by 64
- FOSC divided by 128

The clock divider values can be changed while the module is enabled; however, in order to prevent glitches on the output, the CLKRDIV<2:0> bits should only be changed when the module is disabled (CLKREN = 0).

### 32.3 Selectable Duty Cycle

The CLKRDC<1:0> bits of the CLKRCON register can be used to modify the duty cycle of the output clock. A duty cycle of 25%, 50%, or 75% can be selected for all clock rates, with the exception of the undivided base FOSC value.

The duty cycle can be changed while the module is enabled; however, in order to prevent glitches on the output, the CLKRDC<1:0> bits should only be changed when the module is disabled (CLKREN = 0).

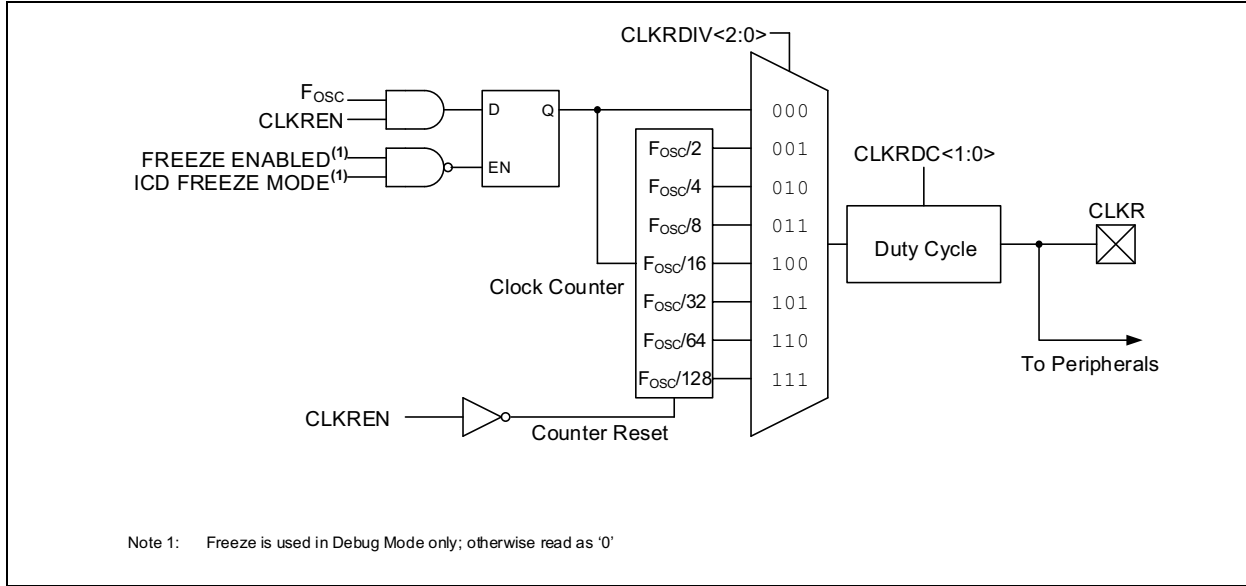
<b>Note:</b> The CLKRDC1 bit is reset to '1'. This makes the default duty cycle 50%.
--------------------------------------------------------------------------------------

### 32.4 Operation in Sleep Mode

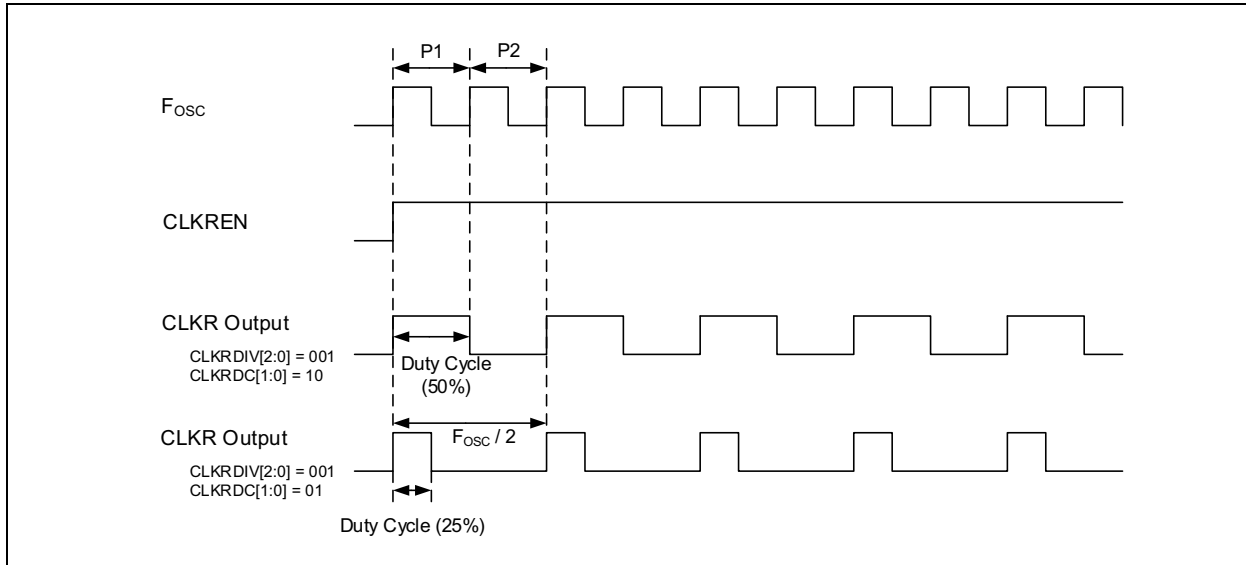
The Reference Clock Output module clock is based on the system clock. When the device goes to Sleep, the module outputs will remain in their current state. This will have a direct effect on peripherals using the Reference Clock Output as an input signal.

# PIC16(L)F18313/18323

**FIGURE 32-1: CLOCK REFERENCE BLOCK DIAGRAM**



**FIGURE 32-2: CLOCK REFERENCE TIMING**



# PIC16(L)F18313/18323

**REGISTER 32-1: CLKRCON: REFERENCE CLOCK CONTROL REGISTER**

R/W-0/0	U-0	U-0	R/W-1/1	R/W-0/0	R/W-0/0	R/W-0/0	R/W-0/0
CLKREN	—	—	CLKRDC<1:0>	CLKRDIV<2:0>			
bit 7							bit 0

**Legend:**

R = Readable bit                      W = Writable bit                      U = Unimplemented bit, read as '0'  
u = Bit is unchanged                      x = Bit is unknown                      -n/n = Value at POR and BOR/Value at all other Resets  
'1' = Bit is set                              '0' = Bit is cleared

- bit 7                      **CLKREN:** Reference Clock Module Enable bit  
1 = Reference clock module enabled  
0 = Reference clock module is disabled
- bit 6-5                      **Unimplemented:** Read as '0'.
- bit 4-3                      **CLKRDC<1:0>:** Reference Clock Duty Cycle bits <sup>(1)</sup>  
11 = Clock outputs duty cycle of 75%  
10 = Clock outputs duty cycle of 50%  
01 = Clock outputs duty cycle of 25%  
00 = Clock outputs duty cycle of 0%
- bit 2-0                      **CLKRDIV<2:0>:** Reference Clock Divider bits  
111 = Fosc divided by 128  
110 = Fosc divided by 64  
101 = Fosc divided by 32  
100 = Fosc divided by 16  
011 = Fosc divided by 8  
010 = Fosc divided by 4  
001 = Fosc divided by 2  
000 = Fosc

**Note 1:** Bits are valid for Reference Clock divider values of two or larger, the base clock cannot be further divided.

**TABLE 32-1: SUMMARY OF REGISTERS ASSOCIATED WITH CLOCK REFERENCE OUTPUT**

Name	Bit 7	Bit 6	Bit 5	Bit 4	Bit 3	Bit 2	Bit 1	Bit 0	Register on Page
TRISA	—	—	TRISA5	TRISA4	— <sup>(2)</sup>	TRISA2	TRISA1	TRISA0	131
TRISC <sup>(1)</sup>	—	—	TRISC5	TRISC4	TRISC3	TRISC2	TRISC1	TRISC0	138
CLKRCON	CLKREN	—	—	CLKRDC<1:0>	CLKRDIV<2:0>				208
CLCxSELY	—	—	—	LCxDyS<4:0>					210
MDCARH	—	MDCHPOL	MDCHSYNC	—	MDCH<3:0>				254
MDCARL	—	MDCLPOL	MDCLSYNC	—	MDCL<3:0>				255

**Legend:** — = unimplemented, read as '0'. Shaded cells are not used by the CLKR module.

- Note 1:** PIC16(L)F18323 only.
- 2:** Unimplemented, read as '1'.

# PIC16(L)F18313/18323

## 33.0 IN-CIRCUIT SERIAL PROGRAMMING™ (ICSP™)

ICSP™ programming allows customers to manufacture circuit boards with unprogrammed devices. Programming can be done after the assembly process, allowing the device to be programmed with the most recent firmware or a custom firmware. Five pins are needed for ICSP™ programming:

- ICSPCLK
- ICSPDAT
- MCLR/VPP
- VDD
- VSS

In Program/Verify mode the program memory, data EEPROM, user IDs and the Configuration Words are programmed through serial communications. The ICSPDAT pin is a bidirectional I/O used for transferring the serial data and the ICSPCLK pin is the clock input. For more information on ICSP™ refer to the “PIC16(L)F183XX Memory Programming Specification” (DS40001738).

### 33.1 High-Voltage Programming Entry Mode

The device is placed into High-Voltage Programming Entry mode by holding the ICSPCLK and ICSPDAT pins low then raising the voltage on MCLR/VPP to VIH.

### 33.2 Low-Voltage Programming Entry Mode

The Low-Voltage Programming Entry mode allows the PIC® Flash MCUs to be programmed using VDD only, without high voltage. When the LVP bit of Configuration Words is set to ‘1’, the low-voltage ICSP programming entry is enabled. To disable the Low-Voltage ICSP mode, the LVP bit must be programmed to ‘0’. The LVP bit can only be reprogrammed to ‘0’ by using the High-Voltage Programming mode.

Entry into the Low-Voltage Programming Entry mode requires the following steps:

1.  $\overline{\text{MCLR}}$  is brought to  $V_L$ .
2. A 32-bit key sequence is presented on ICSPDAT, while clocking ICSPCLK.

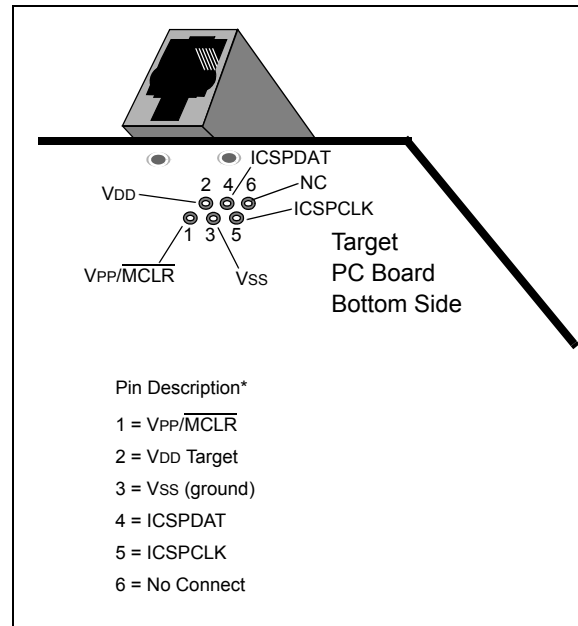
Once the key sequence is complete,  $\overline{\text{MCLR}}$  must be held at  $V_L$  for as long as Program/Verify mode is to be maintained.

If low-voltage programming is enabled (LVP = 1), the MCLR Reset function is automatically enabled and cannot be disabled. See [Section 6.4 “MCLR”](#) for more information.

## 33.3 Common Programming Interfaces

Connection to a target device is typically done through an ICSP™ header. A commonly found connector on development tools is the RJ-11 in the 6P6C (6-pin, 6-connector) configuration. See [Figure 33-1](#).

**FIGURE 33-1: ICD RJ-11 STYLE CONNECTOR INTERFACE**

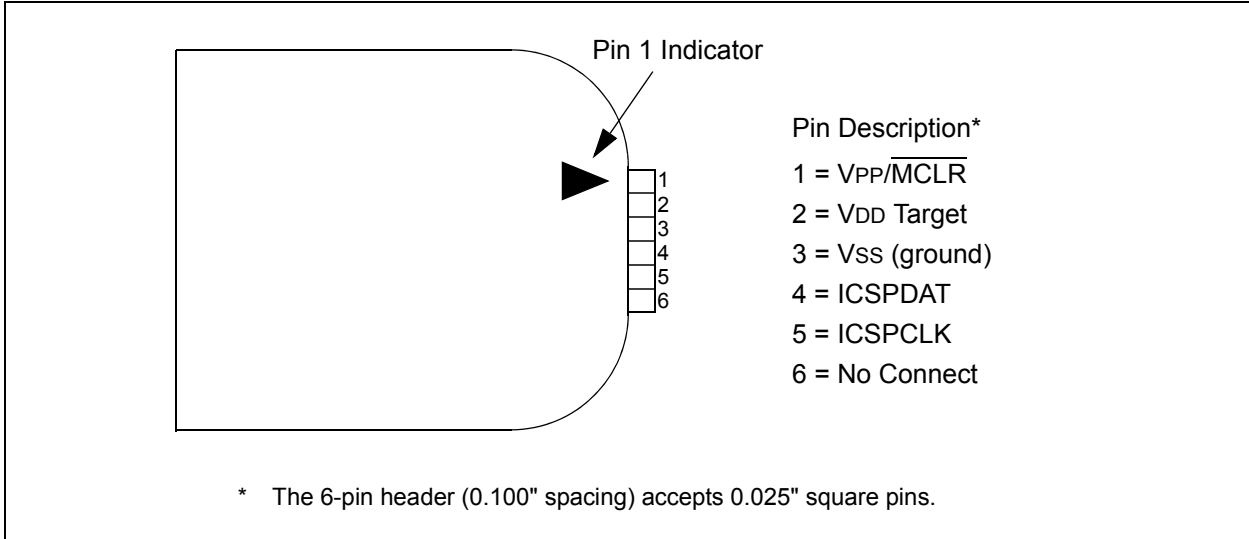


Another connector often found in use with the PICKIT™ programmers is a standard 6-pin header with 0.1 inch spacing. Refer to [Figure 33-2](#).

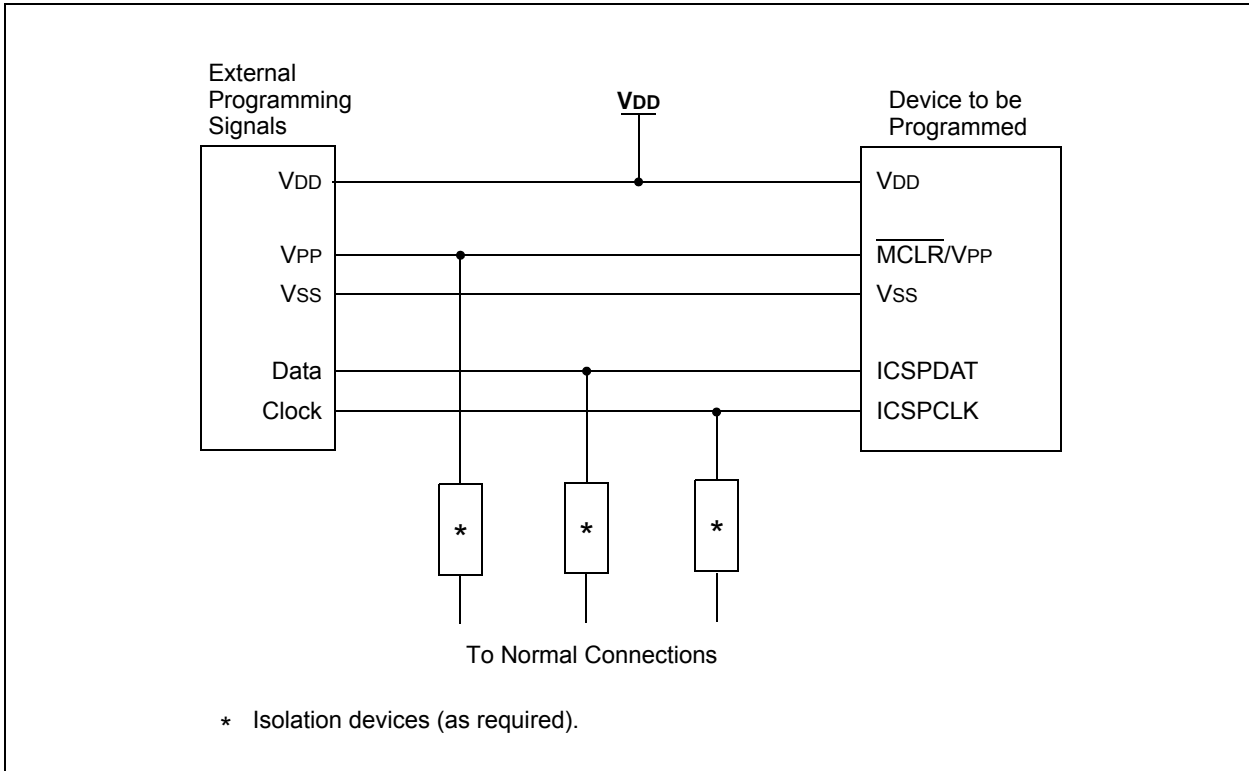
For additional interface recommendations, refer to your specific device programmer manual prior to PCB design.

It is recommended that isolation devices be used to separate the programming pins from other circuitry. The type of isolation is highly dependent on the specific application and may include devices such as resistors, diodes, or even jumpers. See [Figure 33-3](#) for more information.

**FIGURE 33-2: PICKIT™ PROGRAMMER STYLE CONNECTOR INTERFACE**



**FIGURE 33-3: TYPICAL CONNECTION FOR ICSP™ PROGRAMMING**



# PIC16(L)F18313/18323

## 34.0 INSTRUCTION SET SUMMARY

Each instruction is a 14-bit word containing the operation code (opcode) and all required operands. The opcodes are broken into three broad categories.

- Byte Oriented
- Bit Oriented
- Literal and Control

The literal and control category contains the most varied instruction word format.

Table 34-3 lists the instructions recognized by the MPASM™ assembler.

All instructions are executed within a single instruction cycle, with the following exceptions, which may take two or three cycles:

- Subroutine entry takes two cycles (CALL, CALLW)
- Returns from interrupts or subroutines take two cycles (RETURN, RETLW, RETFIE)
- Program branching takes two cycles (GOTO, BRA, BRW, BTFSS, BTFSC, DECFSZ, INCSFZ)
- One additional instruction cycle will be used when any instruction references an indirect file register and the file select register is pointing to program memory.

One instruction cycle consists of 4 oscillator cycles; for an oscillator frequency of 4 MHz, this gives a nominal instruction execution rate of 1 MHz.

All instruction examples use the format '0xhh' to represent a hexadecimal number, where 'h' signifies a hexadecimal digit.

## 34.1 Read-Modify-Write Operations

Any write instruction that specifies a file register as part of the instruction performs a Read-Modify-Write (R-M-W) operation. The register is read, the data is modified, and the result is stored in either the working (W) register, or the originating file register, depending on the state of the destination designator 'd' (see Table 34-1 for more information). A read operation is performed on a register even if the instruction writes to that register.

**TABLE 34-1: OPCODE FIELD DESCRIPTIONS**

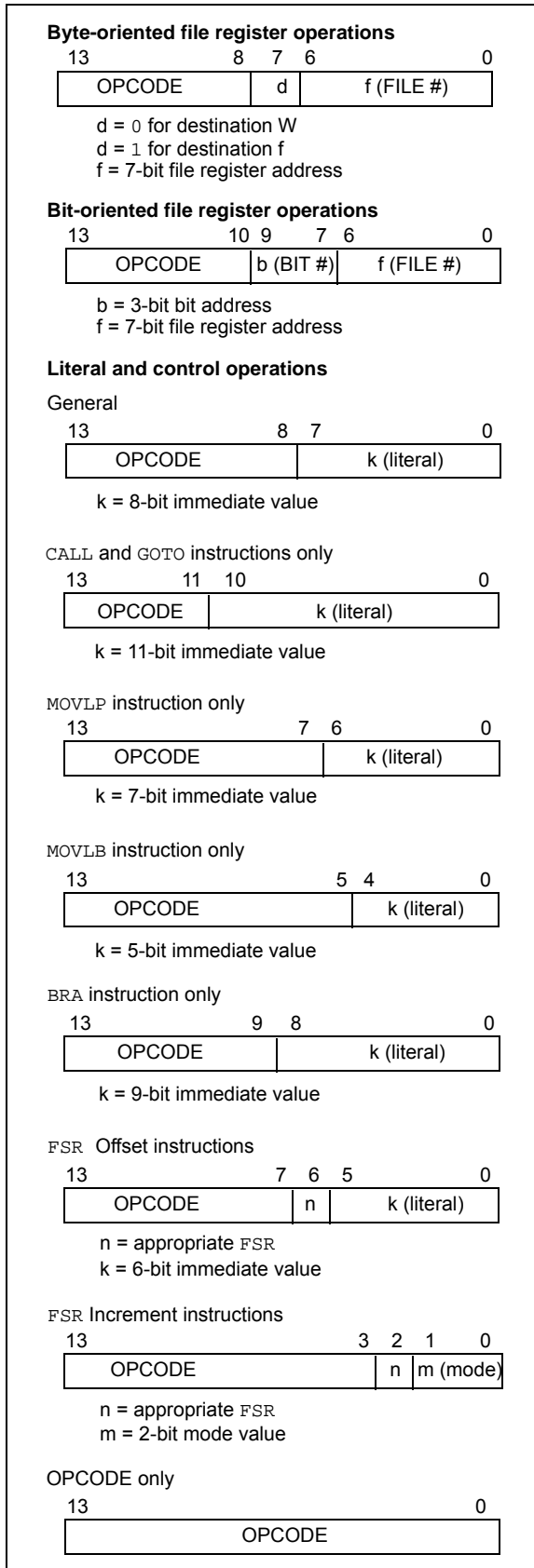
Field	Description
f	Register file address (0x00 to 0x7F)
W	Working register (accumulator)
b	Bit address within an 8-bit file register
k	Literal field, constant data or label
x	Don't care location (= 0 or 1). The assembler will generate code with x = 0. It is the recommended form of use for compatibility with all Microchip software tools.
d	Destination select; d = 0: store result in W, d = 1: store result in file register f.
n	FSR or INDF number. (0-1)
mm	Pre-post increment-decrement mode selection

**TABLE 34-2: ABBREVIATION DESCRIPTIONS**

Field	Description
PC	Program Counter
TO	Time-Out bit
C	Carry bit
DC	Digit Carry bit
Z	Zero bit
PD	Power-Down bit



**FIGURE 34-1: GENERAL FORMAT FOR INSTRUCTIONS**



# PIC16(L)F18313/18323

**TABLE 34-3: PIC16(L)F18313/18323 INSTRUCTION SET**

Mnemonic, Operands	Description	Cycles	14-bit Opcode				Status Affected	Notes	
			MSb	LSb					
<b>BYTE-ORIENTED FILE REGISTER OPERATIONS</b>									
ADDWF	f, d	Add W and f	1	00	0111	dfff	ffff	C, DC, Z	2
ADDWFC	f, d	Add with Carry W and f	1	11	1101	dfff	ffff	C, DC, Z	2
ANDWF	f, d	AND W with f	1	00	0101	dfff	ffff	Z	2
ASRF	f, d	Arithmetic Right Shift	1	11	0111	dfff	ffff	C, Z	2
LSLF	f, d	Logical Left Shift	1	11	0101	dfff	ffff	C, Z	2
LSRF	f, d	Logical Right Shift	1	11	0110	dfff	ffff	C, Z	2
CLRF	f	Clear f	1	00	0001	1fff	ffff	Z	2
CLRW	—	Clear W	1	00	0001	0000	00xx	Z	
COMF	f, d	Complement f	1	00	1001	dfff	ffff	Z	2
DECF	f, d	Decrement f	1	00	0011	dfff	ffff	Z	2
INCF	f, d	Increment f	1	00	1010	dfff	ffff	Z	2
IORWF	f, d	Inclusive OR W with f	1	00	0100	dfff	ffff	Z	2
MOVF	f, d	Move f	1	00	1000	dfff	ffff	Z	2
MOVWF	f	Move W to f	1	00	0000	1fff	ffff		2
RLF	f, d	Rotate Left f through Carry	1	00	1101	dfff	ffff	C	2
RRF	f, d	Rotate Right f through Carry	1	00	1100	dfff	ffff	C	2
SUBWF	f, d	Subtract W from f	1	00	0010	dfff	ffff	C, DC, Z	2
SUBWFB	f, d	Subtract with Borrow W from f	1	11	1011	dfff	ffff	C, DC, Z	2
SWAPF	f, d	Swap nibbles in f	1	00	1110	dfff	ffff		2
XORWF	f, d	Exclusive OR W with f	1	00	0110	dfff	ffff	Z	2
<b>BYTE ORIENTED SKIP OPERATIONS</b>									
DECFSZ	f, d	Decrement f, Skip if 0	1(2)	00	1011	dfff	ffff		1, 2
INCFSZ	f, d	Increment f, Skip if 0	1(2)	00	1111	dfff	ffff		1, 2
<b>BIT-ORIENTED FILE REGISTER OPERATIONS</b>									
BCF	f, b	Bit Clear f	1	01	00bb	bfff	ffff		2
BSF	f, b	Bit Set f	1	01	01bb	bfff	ffff		2
<b>BIT-ORIENTED SKIP OPERATIONS</b>									
BTFSC	f, b	Bit Test f, Skip if Clear	1 (2)	01	10bb	bfff	ffff		1, 2
BTFSS	f, b	Bit Test f, Skip if Set	1 (2)	01	11bb	bfff	ffff		1, 2
<b>LITERAL OPERATIONS</b>									
ADDLW	k	Add literal and W	1	11	1110	kkkk	kkkk	C, DC, Z	
ANDLW	k	AND literal with W	1	11	1001	kkkk	kkkk	Z	
IORLW	k	Inclusive OR literal with W	1	11	1000	kkkk	kkkk	Z	
MOVLB	k	Move literal to BSR	1	00	0000	001k	kkkk		
MOVLP	k	Move literal to PCLATH	1	11	0001	1kkk	kkkk		
MOVLW	k	Move literal to W	1	11	0000	kkkk	kkkk		
SUBLW	k	Subtract W from literal	1	11	1100	kkkk	kkkk	C, DC, Z	
XORLW	k	Exclusive OR literal with W	1	11	1010	kkkk	kkkk	Z	
<b>CONTROL OPERATIONS</b>									
BRA	k	Relative Branch	2	11	001k	kkkk	kkkk		
BRW	—	Relative Branch with W	2	00	0000	0000	1011		
CALL	k	Call Subroutine	2	10	0kkk	kkkk	kkkk		
CALLW	—	Call Subroutine with W	2	00	0000	0000	1010		
GOTO	k	Go to address	2	10	1kkk	kkkk	kkkk		
RETFIE	k	Return from interrupt	2	00	0000	0000	1001		
RETLW	k	Return with literal in W	2	11	0100	kkkk	kkkk		
RETURN	—	Return from Subroutine	2	00	0000	0000	1000		

- Note 1:** If the Program Counter (PC) is modified, or a conditional test is true, the instruction requires two cycles. The second cycle is executed as a NOP.
- Note 2:** If this instruction addresses an INDF register and the MSb of the corresponding FSR is set, this instruction will require one additional instruction cycle.
- Note 3:** See [Section 34.2 "Instruction Descriptions"](#) for detailed MOVW and MOVWI instruction descriptions.

# PIC16(L)F18313/18323

**TABLE 34-3: PIC16(L)F18313/18323 INSTRUCTION SET (CONTINUED)**

Mnemonic, Operands	Description	Cycles	14-bit Opcode				Status Affected	Notes	
			MSb	LSb					
<b>INHERENT OPERATIONS</b>									
CLRWDT	–	Clear Watchdog Timer	1	00	0000	0110	0100	$\overline{TO}$ , $\overline{PD}$	
NOP	–	No Operation	1	00	0000	0000	0000		
RESET	–	Software device Reset	1	00	0000	0000	0001		
SLEEP	–	Go into Standby mode	1	00	0000	0110	0011	$\overline{TO}$ , $\overline{PD}$	
TRIS	f	Load TRIS register with W	1	00	0000	0110	0fff		
<b>C-COMPILER OPTIMIZED</b>									
ADDFSR	n, k	Add Literal k to FSRn	1	11	0001	0nkk	kkkk		
MOVIW	n mm	Move Indirect FSRn to W with pre/post inc/dec modifier, mm	1	00	0000	0001	0nmm	Z	<b>2, 3</b>
	k[n]	Move INDFn to W, Indexed Indirect.	1	11	1111	0nkk	kkkk	Z	<b>2</b>
MOVWI	n mm	Move W to Indirect FSRn with pre/post inc/dec modifier, mm	1	00	0000	0001	1nmm		<b>2, 3</b>
	k[n]	Move W to INDFn, Indexed Indirect.	1	11	1111	1nkk	kkkk		<b>2</b>

- Note 1:** If the Program Counter (PC) is modified, or a conditional test is true, the instruction requires two cycles. The second cycle is executed as a NOP.
- 2:** If this instruction addresses an INDF register and the MSb of the corresponding FSR is set, this instruction will require one additional instruction cycle.
- 3:** See [Section 34.2 “Instruction Descriptions”](#) for detailed MOVIW and MOVWI instruction descriptions.

# PIC16(L)F18313/18323

## 34.2 Instruction Descriptions

<b>ADDFSR</b>	<b>Add Literal to FSRn</b>
Syntax:	[ <i>label</i> ] ADDFSR FSRn, k
Operands:	-32 ≤ k ≤ 31 n ∈ [ 0, 1 ]
Operation:	FSR(n) + k → FSR(n)
Status Affected:	None
Description:	The signed 6-bit literal 'k' is added to the contents of the FSRnH:FSRnL register pair.  FSRn is limited to the range 0000h-FFFFh. Moving beyond these bounds will cause the FSR to wrap-around.

<b>ADDLW</b>	<b>Add literal and W</b>
Syntax:	[ <i>label</i> ] ADDLW k
Operands:	0 ≤ k ≤ 255
Operation:	(W) + k → (W)
Status Affected:	C, DC, Z
Description:	The contents of the W register are added to the 8-bit literal 'k' and the result is placed in the W register.

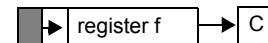
<b>ADDWF</b>	<b>Add W and f</b>
Syntax:	[ <i>label</i> ] ADDWF f,d
Operands:	0 ≤ f ≤ 127 d ∈ [ 0,1 ]
Operation:	(W) + (f) → (destination)
Status Affected:	C, DC, Z
Description:	Add the contents of the W register with register 'f'. If 'd' is '0', the result is stored in the W register. If 'd' is '1', the result is stored back in register 'f'.

<b>ADDWFC</b>	<b>ADD W and CARRY bit to f</b>
Syntax:	[ <i>label</i> ] ADDWFC f {,d}
Operands:	0 ≤ f ≤ 127 d ∈ [ 0,1 ]
Operation:	(W) + (f) + (C) → dest
Status Affected:	C, DC, Z
Description:	Add W, the Carry flag and data memory location 'f'. If 'd' is '0', the result is placed in W. If 'd' is '1', the result is placed in data memory location 'f'.

<b>ANDLW</b>	<b>AND literal with W</b>
Syntax:	[ <i>label</i> ] ANDLW k
Operands:	0 ≤ k ≤ 255
Operation:	(W) .AND. (k) → (W)
Status Affected:	Z
Description:	The contents of W register are AND'ed with the 8-bit literal 'k'. The result is placed in the W register.

<b>ANDWF</b>	<b>AND W with f</b>
Syntax:	[ <i>label</i> ] ANDWF f,d
Operands:	0 ≤ f ≤ 127 d ∈ [ 0,1 ]
Operation:	(W) .AND. (f) → (destination)
Status Affected:	Z
Description:	AND the W register with register 'f'. If 'd' is '0', the result is stored in the W register. If 'd' is '1', the result is stored back in register 'f'.

<b>ASRF</b>	<b>Arithmetic Right Shift</b>
Syntax:	[ <i>label</i> ] ASRF f {,d}
Operands:	0 ≤ f ≤ 127 d ∈ [ 0,1 ]
Operation:	(f<7>) → dest<7> (f<7:1>) → dest<6:0>, (f<0>) → C,
Status Affected:	C, Z
Description:	The contents of register 'f' are shifted one bit to the right through the Carry flag. The MSb remains unchanged. If 'd' is '0', the result is placed in W. If 'd' is '1', the result is stored back in register 'f'.



<b>BCF</b>	<b>Bit Clear f</b>
Syntax:	[ <i>label</i> ] BCF f,b
Operands:	$0 \leq f \leq 127$ $0 \leq b \leq 7$
Operation:	$0 \rightarrow (f<b>)$
Status Affected:	None
Description:	Bit 'b' in register 'f' is cleared.

<b>BTFSC</b>	<b>Bit Test f, Skip if Clear</b>
Syntax:	[ <i>label</i> ] BTFSC f,b
Operands:	$0 \leq f \leq 127$ $0 \leq b \leq 7$
Operation:	skip if (f<b>) = 0
Status Affected:	None
Description:	If bit 'b' in register 'f' is '1', the next instruction is executed. If bit 'b', in register 'f', is '0', the next instruction is discarded, and a NOP is executed instead, making this a 2-cycle instruction.

<b>BRA</b>	<b>Relative Branch</b>
Syntax:	[ <i>label</i> ] BRA label [ <i>label</i> ] BRA \$+k
Operands:	$-256 \leq \text{label} - \text{PC} + 1 \leq 255$ $-256 \leq k \leq 255$
Operation:	$(\text{PC}) + 1 + k \rightarrow \text{PC}$
Status Affected:	None
Description:	Add the signed 9-bit literal 'k' to the PC. Since the PC will have incremented to fetch the next instruction, the new address will be $\text{PC} + 1 + k$ . This instruction is a 2-cycle instruction. This branch has a limited range.

<b>BTFSS</b>	<b>Bit Test f, Skip if Set</b>
Syntax:	[ <i>label</i> ] BTFSS f,b
Operands:	$0 \leq f \leq 127$ $0 \leq b < 7$
Operation:	skip if (f<b>) = 1
Status Affected:	None
Description:	If bit 'b' in register 'f' is '0', the next instruction is executed. If bit 'b' is '1', then the next instruction is discarded and a NOP is executed instead, making this a 2-cycle instruction.

<b>BRW</b>	<b>Relative Branch with W</b>
Syntax:	[ <i>label</i> ] BRW
Operands:	None
Operation:	$(\text{PC}) + (W) \rightarrow \text{PC}$
Status Affected:	None
Description:	Add the contents of W (unsigned) to the PC. Since the PC will have incremented to fetch the next instruction, the new address will be $\text{PC} + 1 + (W)$ . This instruction is a 2-cycle instruction.

<b>BSF</b>	<b>Bit Set f</b>
Syntax:	[ <i>label</i> ] BSF f,b
Operands:	$0 \leq f \leq 127$ $0 \leq b \leq 7$
Operation:	$1 \rightarrow (f<b>)$
Status Affected:	None
Description:	Bit 'b' in register 'f' is set.

# PIC16(L)F18313/18323

---

## CALL Call Subroutine

---

Syntax: [ *label* ] CALL k  
Operands:  $0 \leq k \leq 2047$   
Operation: (PC)+ 1 → TOS,  
k → PC<10:0>,  
(PCLATH<6:3>) → PC<14:11>  
Status Affected: None  
Description: Call Subroutine. First, return address (PC + 1) is pushed onto the stack. The 11-bit immediate address is loaded into PC bits <10:0>. The upper bits of the PC are loaded from PCLATH. CALL is a 2-cycle instruction.

## CALLW Subroutine Call With W

---

Syntax: [ *label* ] CALLW  
Operands: None  
Operation: (PC) + 1 → TOS,  
(W) → PC<7:0>,  
(PCLATH<6:0>) → PC<14:8>  
Status Affected: None  
Description: Subroutine call with W. First, the return address (PC + 1) is pushed onto the return stack. Then, the contents of W is loaded into PC<7:0>, and the contents of PCLATH into PC<14:8>. CALLW is a 2-cycle instruction.

## CLRF Clear f

---

Syntax: [ *label* ] CLRF f  
Operands:  $0 \leq f \leq 127$   
Operation: 00h → (f)  
1 → Z  
Status Affected: Z  
Description: The contents of register 'f' are cleared and the Z bit is set.

## CLRW Clear W

---

Syntax: [ *label* ] CLRW  
Operands: None  
Operation: 00h → (W)  
1 → Z  
Status Affected: Z  
Description: W register is cleared. Zero bit (Z) is set.

## CLRWDTClear Watchdog Timer

---

Syntax: [ *label* ] CLRWDTClear Watchdog Timer  
Operands: None  
Operation: 00h → WDT  
0 → WDT prescaler,  
1 →  $\overline{TO}$   
1 →  $\overline{PD}$   
Status Affected:  $\overline{TO}$ ,  $\overline{PD}$   
Description: CLRWDTClear Watchdog Timer instruction resets the Watchdog Timer. It also resets the prescaler of the WDT. Status bits  $\overline{TO}$  and  $\overline{PD}$  are set.

## COMF Complement f

---

Syntax: [ *label* ] COMF f,d  
Operands:  $0 \leq f \leq 127$   
d ∈ [0,1]  
Operation:  $\overline{(f)}$  → (destination)  
Status Affected: Z  
Description: The contents of register 'f' are complemented. If 'd' is '0', the result is stored in W. If 'd' is '1', the result is stored back in register 'f'.

## DECF Decrement f

---

Syntax: [ *label* ] DECF f,d  
Operands:  $0 \leq f \leq 127$   
d ∈ [0,1]  
Operation: (f) - 1 → (destination)  
Status Affected: Z  
Description: Decrement register 'f'. If 'd' is '0', the result is stored in the W register. If 'd' is '1', the result is stored back in register 'f'.

---

## DECFSZ      Decrement f, Skip if 0

---

Syntax:            [ *label* ] DECFSZ f,d

Operands:         $0 \leq f \leq 127$   
 $d \in [0,1]$

Operation:         $(f) - 1 \rightarrow (\text{destination});$   
skip if result = 0

Status Affected:    None

Description:      The contents of register 'f' are decremented. If 'd' is '0', the result is placed in the W register. If 'd' is '1', the result is placed back in register 'f'. If the result is '1', the next instruction is executed. If the result is '0', then a NOP is executed instead, making it a 2-cycle instruction.

---

## INCFSZ      Increment f, Skip if 0

---

Syntax:            [ *label* ] INCFSZ f,d

Operands:         $0 \leq f \leq 127$   
 $d \in [0,1]$

Operation:         $(f) + 1 \rightarrow (\text{destination}),$   
skip if result = 0

Status Affected:    None

Description:      The contents of register 'f' are incremented. If 'd' is '0', the result is placed in the W register. If 'd' is '1', the result is placed back in register 'f'. If the result is '1', the next instruction is executed. If the result is '0', a NOP is executed instead, making it a 2-cycle instruction.

---

## GOTO        Unconditional Branch

---

Syntax:            [ *label* ] GOTO k

Operands:         $0 \leq k \leq 2047$

Operation:         $k \rightarrow \text{PC}<10:0>$   
 $\text{PCLATH}<6:3> \rightarrow \text{PC}<14:11>$

Status Affected:    None

Description:      GOTO is an unconditional branch. The 11-bit immediate value is loaded into PC bits <10:0>. The upper bits of PC are loaded from PCLATH<4:3>. GOTO is a 2-cycle instruction.

---

## IORLW      Inclusive OR literal with W

---

Syntax:            [ *label* ] IORLW k

Operands:         $0 \leq k \leq 255$

Operation:         $(W) .\text{OR. } k \rightarrow (W)$

Status Affected:    Z

Description:      The contents of the W register are OR'ed with the 8-bit literal 'k'. The result is placed in the W register.

---

## INCF        Increment f

---

Syntax:            [ *label* ] INCF f,d

Operands:         $0 \leq f \leq 127$   
 $d \in [0,1]$

Operation:         $(f) + 1 \rightarrow (\text{destination})$

Status Affected:    Z

Description:      The contents of register 'f' are incremented. If 'd' is '0', the result is placed in the W register. If 'd' is '1', the result is placed back in register 'f'.

---

## IORWF      Inclusive OR W with f

---

Syntax:            [ *label* ] IORWF f,d

Operands:         $0 \leq f \leq 127$   
 $d \in [0,1]$

Operation:         $(W) .\text{OR. } (f) \rightarrow (\text{destination})$

Status Affected:    Z

Description:      Inclusive OR the W register with register 'f'. If 'd' is '0', the result is placed in the W register. If 'd' is '1', the result is placed back in register 'f'.

# PIC16(L)F18313/18323

---

## LSLF Logical Left Shift

---

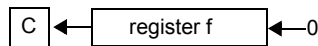
Syntax: [label] LSLF f {,d}

Operands:  $0 \leq f \leq 127$   
 $d \in [0,1]$

Operation:  $(f<7>) \rightarrow C$   
 $(f<6:0>) \rightarrow \text{dest}<7:1>$   
 $0 \rightarrow \text{dest}<0>$

Status Affected: C, Z

Description: The contents of register 'f' are shifted one bit to the left through the Carry flag. A '0' is shifted into the LSB. If 'd' is '0', the result is placed in W. If 'd' is '1', the result is stored back in register 'f'.



## LSRF Logical Right Shift

---

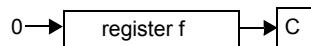
Syntax: [label] LSRF f {,d}

Operands:  $0 \leq f \leq 127$   
 $d \in [0,1]$

Operation:  $0 \rightarrow \text{dest}<7>$   
 $(f<7:1>) \rightarrow \text{dest}<6:0>$ ,  
 $(f<0>) \rightarrow C$ ,

Status Affected: C, Z

Description: The contents of register 'f' are shifted one bit to the right through the Carry flag. A '0' is shifted into the MSb. If 'd' is '0', the result is placed in W. If 'd' is '1', the result is stored back in register 'f'.



## MOVF Move f

---

Syntax: [label] MOVF f,d

Operands:  $0 \leq f \leq 127$   
 $d \in [0,1]$

Operation:  $(f) \rightarrow (\text{dest})$

Status Affected: Z

Description: The contents of register f is moved to a destination dependent upon the status of d. If  $d = 0$ , destination is W register. If  $d = 1$ , the destination is file register f itself.  $d = 1$  is useful to test a file register since status flag Z is affected.

Words: 1

Cycles: 1

Example: MOVF FSR, 0

After Instruction

W = value in FSR register

Z = 1



## MOVIW Move INDFn to W

**Syntax:** [ *label* ] MOVIW ++FSRn  
 [ *label* ] MOVIW --FSRn  
 [ *label* ] MOVIW FSRn++  
 [ *label* ] MOVIW FSRn--  
 [ *label* ] MOVIW k[FSRn]

**Operands:**  $n \in [0,1]$   
 $mm \in [00,01, 10, 11]$   
 $-32 \leq k \leq 31$

**Operation:** INDFn  $\rightarrow$  W  
 Effective address is determined by

- FSR + 1 (preincrement)
- FSR - 1 (predecrement)
- FSR + k (relative offset)

After the Move, the FSR value will be either:

- FSR + 1 (all increments)
- FSR - 1 (all decrements)
- Unchanged

**Status Affected:** Z

Mode	Syntax	mm
Preincrement	++FSRn	00
Predecrement	--FSRn	01
Postincrement	FSRn++	10
Postdecrement	FSRn--	11

**Description:** This instruction is used to move data between W and one of the indirect registers (INDFn). Before/after this move, the pointer (FSRn) is updated by pre/post incrementing/decrementing it.

**Note:** The INDFn registers are not physical registers. Any instruction that accesses an INDFn register actually accesses the register at the address specified by the FSRn.

FSRn is limited to the range 0000h - FFFFh. Incrementing/decrementing it beyond these bounds will cause it to wrap-around.

## MOVLB Move literal to BSR

**Syntax:** [ *label* ] MOVLB k

**Operands:**  $0 \leq k \leq 31$

**Operation:**  $k \rightarrow$  BSR

**Status Affected:** None

**Description:** The 5-bit literal 'k' is loaded into the Bank Select Register (BSR).

## MOVLP Move literal to PCLATH

**Syntax:** [ *label* ] MOVLP k

**Operands:**  $0 \leq k \leq 127$

**Operation:**  $k \rightarrow$  PCLATH

**Status Affected:** None

**Description:** The 7-bit literal 'k' is loaded into the PCLATH register.

## MOVLW Move literal to W

**Syntax:** [ *label* ] MOVLW k

**Operands:**  $0 \leq k \leq 255$

**Operation:**  $k \rightarrow$  (W)

**Status Affected:** None

**Description:** The 8-bit literal 'k' is loaded into W register. The "don't cares" will assemble as '0's.

**Words:** 1

**Cycles:** 1

**Example:** MOVLW 0x5A  
 After Instruction  
 W = 0x5A

## MOVWF Move W to f

**Syntax:** [ *label* ] MOVWF f

**Operands:**  $0 \leq f \leq 127$

**Operation:** (W)  $\rightarrow$  (f)

**Status Affected:** None

**Description:** Move data from W register to register 'f'.

**Words:** 1

**Cycles:** 1

**Example:** MOVWF OPTION\_REG  
 Before Instruction  
 OPTION\_REG = 0xFF  
 W = 0x4F  
 After Instruction  
 OPTION\_REG = 0x4F  
 W = 0x4F

# PIC16(L)F18313/18323

## MOVWI Move W to INDFn

**Syntax:** [ *label* ] MOVWI ++FSRn  
 [ *label* ] MOVWI --FSRn  
 [ *label* ] MOVWI FSRn++  
 [ *label* ] MOVWI FSRn--  
 [ *label* ] MOVWI k[FSRn]

**Operands:**  $n \in [0,1]$   
 $mm \in [00,01, 10, 11]$   
 $-32 \leq k \leq 31$

**Operation:**  $W \rightarrow \text{INDFn}$   
 Effective address is determined by

- FSR + 1 (preincrement)
- FSR - 1 (predecrement)
- FSR + k (relative offset)

After the Move, the FSR value will be either:

- FSR + 1 (all increments)
- FSR - 1 (all decrements)

Unchanged

**Status Affected:** None

Mode	Syntax	mm
Preincrement	++FSRn	00
Predecrement	--FSRn	01
Postincrement	FSRn++	10
Postdecrement	FSRn--	11

**Description:** This instruction is used to move data between W and one of the indirect registers (INDFn). Before/after this move, the pointer (FSRn) is updated by pre/post incrementing/decrementing it.

**Note:** The INDFn registers are not physical registers. Any instruction that accesses an INDFn register actually accesses the register at the address specified by the FSRn.

FSRn is limited to the range 0000h-FFFFh. Incrementing/decrementing it beyond these bounds will cause it to wrap-around.

The increment/decrement operation on FSRn WILL NOT affect any Status bits.

## NOP No Operation

**Syntax:** [ *label* ] NOP

**Operands:** None

**Operation:** No operation

**Status Affected:** None

**Description:** No operation.

**Words:** 1

**Cycles:** 1

**Example:** NOP

## RESET Software Reset

**Syntax:** [ *label* ] RESET

**Operands:** None

**Operation:** Execute a device Reset. Resets the RI flag of the PCON register.

**Status Affected:** None

**Description:** This instruction provides a way to execute a hardware Reset by software.

## RETFIE Return from Interrupt

**Syntax:** [ *label* ] RETFIE k

**Operands:** None

**Operation:**  $\text{TOS} \rightarrow \text{PC}$ ,  
 $1 \rightarrow \text{GIE}$

**Status Affected:** None

**Description:** Return from Interrupt. Stack is POPed and Top-of-Stack (TOS) is loaded in the PC. Interrupts are enabled by setting Global Interrupt Enable bit, GIE (INTCON<7>). This is a 2-cycle instruction.

**Words:** 1

**Cycles:** 2

**Example:** RETFIE

After Interrupt

PC = TOS  
 GIE = 1

# PIC16(L)F18313/18323

## RETLW Return with literal in W

Syntax: `[label] RETLW k`

Operands:  $0 \leq k \leq 255$

Operation:  $k \rightarrow (W)$ ;  
TOS  $\rightarrow$  PC

Status Affected: None

Description: The W register is loaded with the 8-bit literal 'k'. The program counter is loaded from the top of the stack (the return address). This is a 2-cycle instruction.

Words: 1  
Cycles: 2

**Example:**

```
CALL TABLE;W contains table
;offset value
• ;W now has table value
•
•
ADDWF PC ;W = offset
RETLW k1 ;Begin table
RETLW k2 ;
•
•
•
RETLW kn ; End of table
```

TABLE

Before Instruction  
W = 0x07  
After Instruction  
W = value of k8

## RETURN Return from Subroutine

Syntax: `[label] RETURN`

Operands: None

Operation: TOS  $\rightarrow$  PC

Status Affected: None

Description: Return from subroutine. The stack is POPed and the top of the stack (TOS) is loaded into the program counter. This is a 2-cycle instruction.

## RLF Rotate Left f through Carry

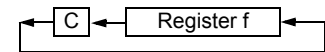
Syntax: `[label] RLF f,d`

Operands:  $0 \leq f \leq 127$   
 $d \in [0,1]$

Operation: See description below

Status Affected: C

Description: The contents of register 'f' are rotated one bit to the left through the Carry flag. If 'd' is '0', the result is placed in the W register. If 'd' is '1', the result is stored back in register 'f'.



Words: 1  
Cycles: 1

**Example:**

```
RLF REG1,0
```

Before Instruction

REG1	=	1110 0110
C	=	0

After Instruction

REG1	=	1110 0110
W	=	1100 1100
C	=	1

## RRF Rotate Right f through Carry

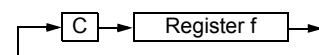
Syntax: `[label] RRF f,d`

Operands:  $0 \leq f \leq 127$   
 $d \in [0,1]$

Operation: See description below

Status Affected: C

Description: The contents of register 'f' are rotated one bit to the right through the Carry flag. If 'd' is '0', the result is placed in the W register. If 'd' is '1', the result is placed back in register 'f'.



# PIC16(L)F18313/18323

## SLEEP Enter Sleep mode

Syntax: [ *label* ] SLEEP

Operands: None

Operation: 00h → WDT,  
0 → WDT prescaler,  
1 →  $\overline{TO}$ ,  
0 →  $\overline{PD}$

Status Affected:  $\overline{TO}$ ,  $\overline{PD}$

Description: The power-down Status bit,  $\overline{PD}$  is cleared. Time-out Status bit,  $\overline{TO}$  is set. Watchdog Timer and its prescaler are cleared.  
See [Section 9.3 “Sleep Mode”](#) for more information.

## SUBLW Subtract W from literal

Syntax: [ *label* ] SUBLW *k*

Operands:  $0 \leq k \leq 255$

Operation:  $k - (W) \rightarrow (W)$

Status Affected: C, DC, Z

Description: The W register is subtracted (2's complement method) from the 8-bit literal 'k'. The result is placed in the W register.

C = 0	$W > k$
C = 1	$W \leq k$
DC = 0	$W\langle 3:0 \rangle > k\langle 3:0 \rangle$
DC = 1	$W\langle 3:0 \rangle \leq k\langle 3:0 \rangle$

## SUBWF Subtract W from f

Syntax: [ *label* ] SUBWF *f,d*

Operands:  $0 \leq f \leq 127$   
 $d \in [0,1]$

Operation:  $(f) - (W) \rightarrow (\text{destination})$

Status Affected: C, DC, Z

Description: Subtract (2's complement method) W register from register 'f'. If 'd' is '0', the result is stored in the W register. If 'd' is '1', the result is stored back in register 'f'.

C = 0	$W > f$
C = 1	$W \leq f$
DC = 0	$W\langle 3:0 \rangle > f\langle 3:0 \rangle$
DC = 1	$W\langle 3:0 \rangle \leq f\langle 3:0 \rangle$

## SUBWFB Subtract W from f with Borrow

Syntax: SUBWFB *f*{,*d*}

Operands:  $0 \leq f \leq 127$   
 $d \in [0,1]$

Operation:  $(f) - (W) - (\overline{B}) \rightarrow \text{dest}$

Status Affected: C, DC, Z

Description: Subtract W and the BORROW flag (CARRY) from register 'f' (2's complement method). If 'd' is '0', the result is stored in W. If 'd' is '1', the result is stored back in register 'f'.

## SWAPF Swap Nibbles in f

Syntax: [ *label* ] SWAPF *f,d*

Operands:  $0 \leq f \leq 127$   
 $d \in [0,1]$

Operation:  $(f\langle 3:0 \rangle) \rightarrow (\text{destination}\langle 7:4 \rangle)$ ,  
 $(f\langle 7:4 \rangle) \rightarrow (\text{destination}\langle 3:0 \rangle)$

Status Affected: None

Description: The upper and lower nibbles of register 'f' are exchanged. If 'd' is '0', the result is placed in the W register. If 'd' is '1', the result is placed in register 'f'.

# PIC16(L)F18313/18323

---

## **TRIS**                      **Load TRIS Register with W**

---

Syntax:                    [ *label* ] TRIS *f*  
Operands:                 $5 \leq f \leq 7$   
Operation:                (W) → TRIS register 'f'  
Status Affected:        None  
Description:              Move data from W register to TRIS register.  
                              When 'f' = 5, TRISA is loaded.  
                              When 'f' = 6, TRISB is loaded.  
                              When 'f' = 7, TRISC is loaded.

## **XORLW**                    **Exclusive OR literal with W**

---

Syntax:                    [ *label* ] XORLW *k*  
Operands:                 $0 \leq k \leq 255$   
Operation:                (W) .XOR. *k* → (W)  
Status Affected:        Z  
Description:              The contents of the W register are XOR'ed with the 8-bit literal 'k'. The result is placed in the W register.

## **XORWF**                    **Exclusive OR W with f**

---

Syntax:                    [ *label* ] XORWF *f,d*  
Operands:                 $0 \leq f \leq 127$   
                               $d \in [0,1]$   
Operation:                (W) .XOR. (*f*) → (*destination*)  
Status Affected:        Z  
Description:              Exclusive OR the contents of the W register with register 'f'. If 'd' is '0', the result is stored in the W register. If 'd' is '1', the result is stored back in register 'f'.

# PIC16(L)F18313/18323

## 35.0 ELECTRICAL SPECIFICATIONS

### 35.1 Absolute Maximum Ratings<sup>(†)</sup>

Ambient temperature under bias .....	-40°C to +125°C
Storage temperature .....	-65°C to +150°C
Voltage on pins with respect to V <sub>SS</sub>	
on V <sub>DD</sub> pin	
PIC16F18313/18323 .....	-0.3V to +6.5V
PIC16LF18313/18323 .....	-0.3V to +4.0V
on MCLR pin .....	-0.3V to +9.0V
on all other pins .....	-0.3V to (V <sub>DD</sub> + 0.3V)
Maximum current	
on V <sub>SS</sub> pin <sup>(1)</sup>	
-40°C ≤ T <sub>A</sub> ≤ +85°C .....	250 mA
+85°C < T <sub>A</sub> ≤ +125°C .....	85 mA
on V <sub>DD</sub> pin <sup>(1)</sup>	
-40°C ≤ T <sub>A</sub> ≤ +85°C .....	250 mA
+85°C < T <sub>A</sub> ≤ +125°C .....	85 mA
on any I/O pin .....	±50 mA
Clamp current, I <sub>K</sub> (V <sub>PIN</sub> < 0 or V <sub>PIN</sub> > V <sub>DD</sub> ) .....	±20 mA
Total power dissipation <sup>(2)</sup> .....	800 mW

**Note 1:** Maximum current rating requires even load distribution across I/O pins. Maximum current rating may be limited by the device package power dissipation characterizations, see [Table 35-6](#) to calculate device specifications.

**2:** Power dissipation is calculated as follows:

$$P_{DIS} = V_{DD} \times \{I_{DD} - \sum I_{OH}\} + \sum \{(V_{DD} - V_{OH}) \times I_{OH}\} + \sum (V_{OL} \times I_{OL}).$$

† NOTICE: Stresses above those listed under “Absolute Maximum Ratings” may cause permanent damage to the device. This is a stress rating only and functional operation of the device at those or any other conditions above those indicated in the operation listings of this specification is not implied. Exposure above maximum rating conditions for extended periods may affect device reliability.

## 35.2 Standard Operating Conditions

The standard operating conditions for any device are defined as:

Operating Voltage:  $V_{DDMIN} \leq V_{DD} \leq V_{DDMAX}$

Operating Temperature:  $T_{A\_MIN} \leq T_A \leq T_{A\_MAX}$

### V<sub>DD</sub> — Operating Supply Voltage<sup>(1)</sup>

PIC16LF18313/18323

V<sub>DDMIN</sub> (F<sub>osc</sub> ≤ 16 MHz) ..... +1.8V

V<sub>DDMIN</sub> (F<sub>osc</sub> ≤ 32 MHz) ..... +2.5V

V<sub>DDMAX</sub> ..... +3.6V

PIC16F18313/18323

V<sub>DDMIN</sub> (F<sub>osc</sub> ≤ 16 MHz) ..... +2.3V

V<sub>DDMIN</sub> (F<sub>osc</sub> ≤ 32 MHz) ..... +2.5V

V<sub>DDMAX</sub> ..... +5.5V

### T<sub>A</sub> — Operating Ambient Temperature Range

Industrial Temperature

T<sub>A\\_MIN</sub> ..... -40°C

T<sub>A\\_MAX</sub> ..... +85°C

Extended Temperature

T<sub>A\\_MIN</sub> ..... -40°C

T<sub>A\\_MAX</sub> ..... +125°C

**Note 1:** See Parameter [D002](#), DC Characteristics: Supply Voltage.

# PIC16(L)F18313/18323

FIGURE 35-1: VOLTAGE FREQUENCY GRAPH,  $-40^{\circ}\text{C} \leq T_A \leq +125^{\circ}\text{C}$ , PIC16F18313/18323 ONLY

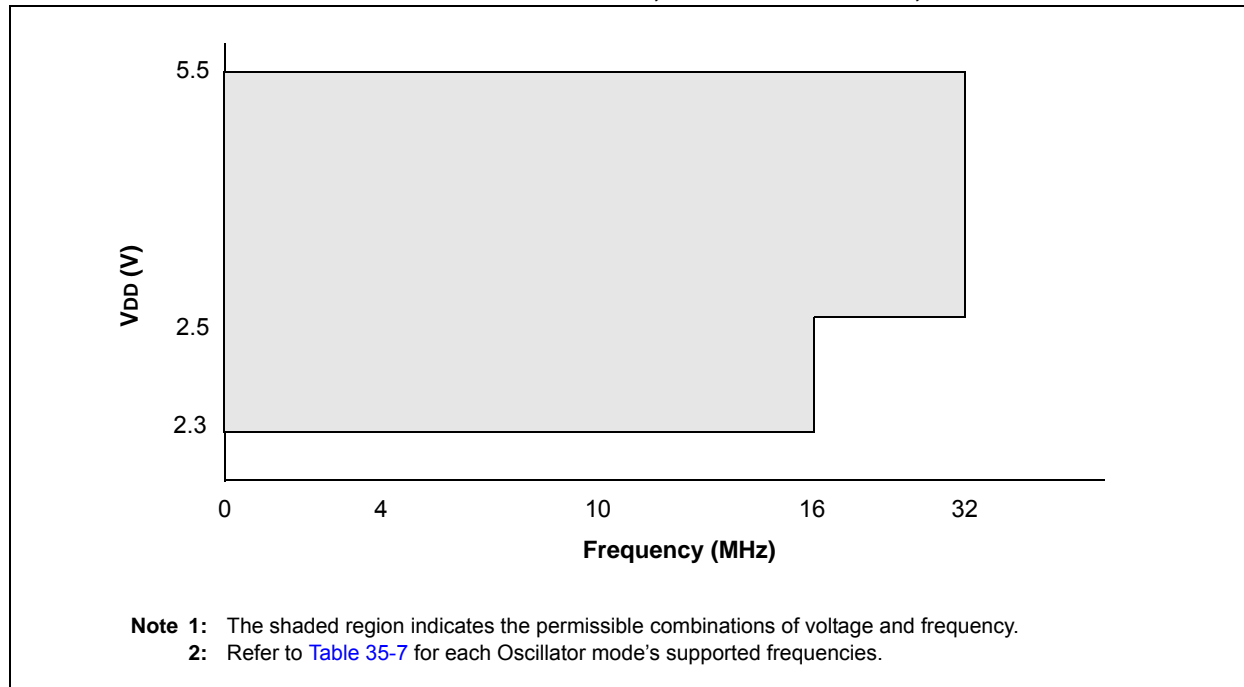
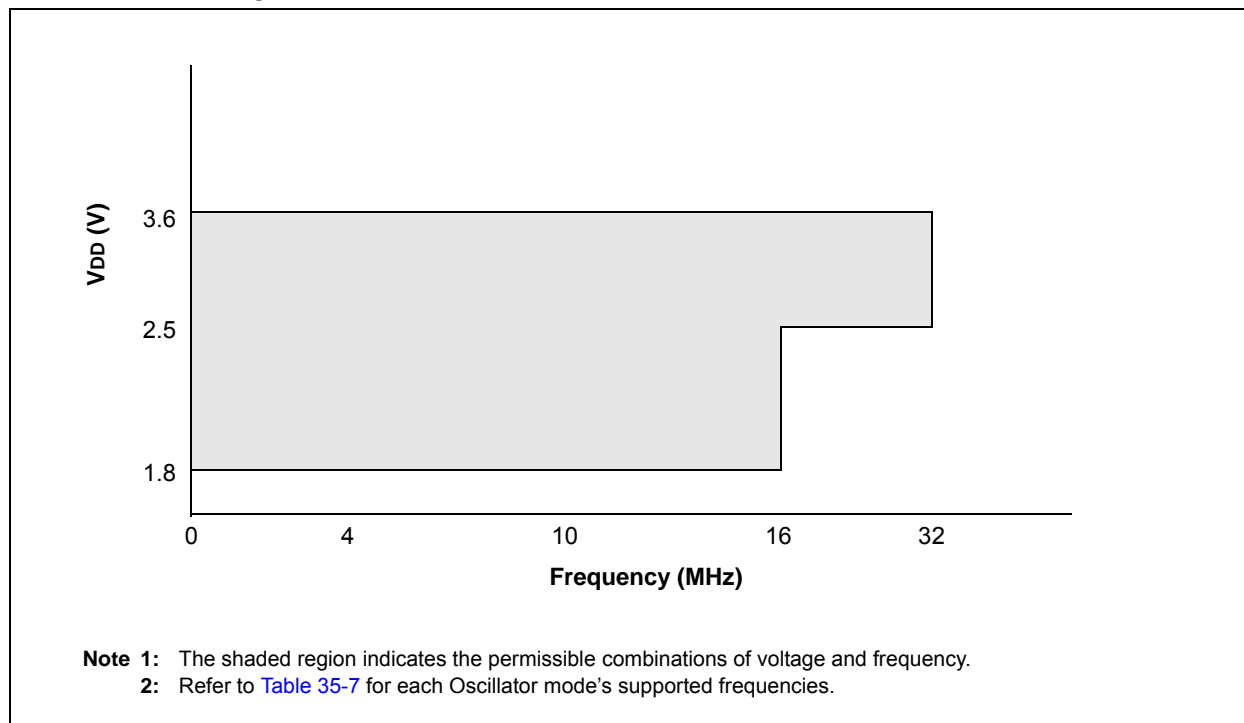


FIGURE 35-2: VOLTAGE FREQUENCY GRAPH,  $-40^{\circ}\text{C} \leq T_A \leq +125^{\circ}\text{C}$ , PIC16LF18313/18323 ONLY





# PIC16(L)F18313/18323

## 35.3 DC Characteristics

TABLE 35-1: SUPPLY VOLTAGE

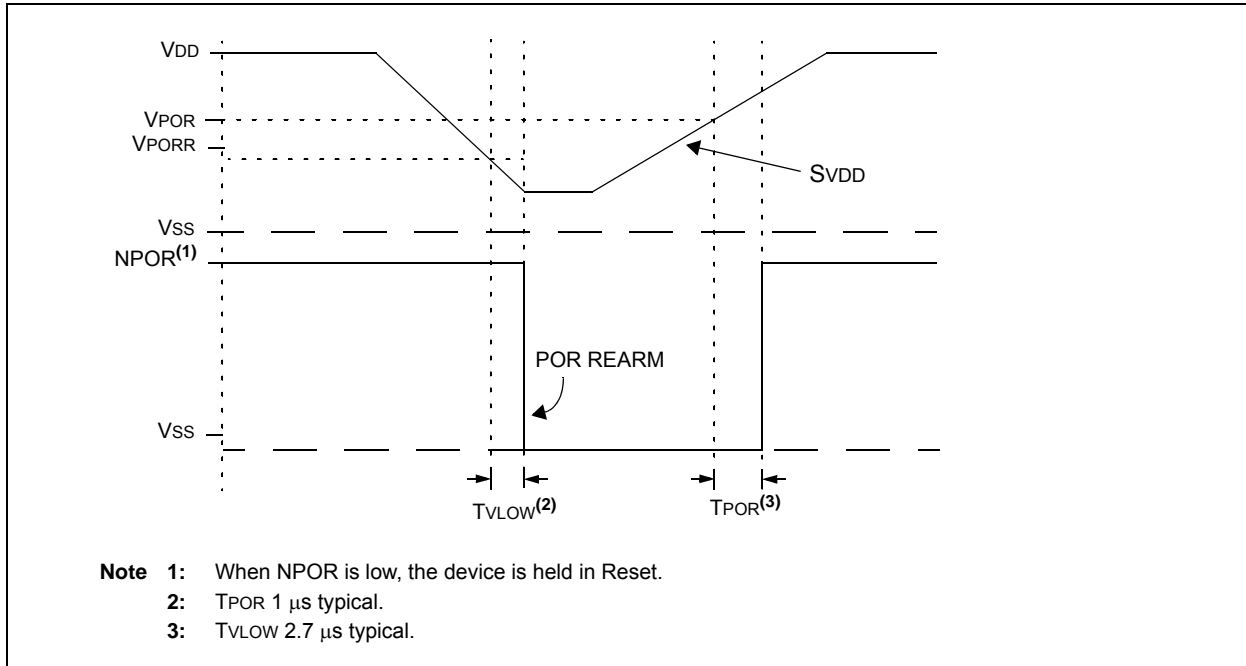
PIC16LF18313/18323		Standard Operating Conditions (unless otherwise stated)					
PIC16F18313/18323		Standard Operating Conditions (unless otherwise stated)					
Param. No.	Sym.	Characteristic	Min.	Typ.†	Max.	Units	Conditions
<b>Supply Voltage</b>							
D002	VDD		1.8 2.5	—	3.6 3.6	V V	Fosc ≤ 16 MHz Fosc > 16 MHz
D002	VDD		2.3 2.5	—	5.5 5.5	V V	Fosc ≤ 16 MHz: Fosc > 16 MHz
<b>RAM Data Retention<sup>(1)</sup></b>							
D003	VDR		1.5	—	—	V	Device in Sleep mode
D003	VDR		1.7	—	—	V	Device in Sleep mode
<b>Power-on Reset Release Voltage<sup>(2)</sup></b>							
D004	VPOR		—	1.6	—	V	BOR and LPBOR disabled <sup>(3)</sup>
D004	VPOR		—	1.6	—	V	BOR and LPBOR disabled <sup>(3)</sup>
<b>Power-on Reset ReARM Voltage<sup>(2)</sup></b>							
D005	VPORR		—	0.8	—	V	BOR and LPBOR disabled <sup>(3)</sup>
D005	VPORR		—	1.5	—	V	BOR and LPBOR disabled <sup>(3)</sup>
<b>VDD Rise Rate to ensure Internal Power-on Reset Signal<sup>(2)</sup></b>							
D006	SVDD		0.05	—	—	V/ms	BOR and LPBOR disabled <sup>(3)</sup>
D006	SVDD		0.05	—	—	V/ms	BOR and LPBOR disabled <sup>(3)</sup>

† Data in "Typ." column is at 3.0V, 25°C unless otherwise stated. These parameters are for design guidance only and are not tested.

- Note 1:** This is the limit to which VDD can be lowered in Sleep mode or during a device Reset, without losing RAM data.
- 2:** See [Figure 35-3](#).
- 3:** Please see [Table 35-11](#) for BOR and LPBOR trip point information.

# PIC16(L)F18313/18323

FIGURE 35-3: POR AND POR REARM WITH SLOW RISING V<sub>DD</sub>



# PIC16(L)F18313/18323

**TABLE 35-2: SUPPLY CURRENT (IDD)<sup>(1,2)</sup>**

PIC16LF18313/18323		Standard Operating Conditions (unless otherwise stated)						
PIC16F18313/18323		Standard Operating Conditions (unless otherwise stated)						
Param. No.	Symbol	Device Characteristics	Min.	Typ.†	Max.	Units	Conditions	
							VDD	Note
D100	IDDXT4	XT = 4 MHz	—	292	390	uA	3.0V	
D100	IDDXT4	XT = 4 MHz	—	302	410	uA	3.0V	
D101	IDDHFO16	HFINTOSC = 16 MHz	—	1.2	1.5	mA	3.0V	
D101	IDDHFO16	HFINTOSC = 16 MHz	—	1.3	1.6	mA	3.0V	
D102	IDDHFOPLL	HFINTOSC = 32 MHz	—	2.0	2.6	mA	3.0V	
D102	IDDHFOPLL	HFINTOSC = 32 MHz	—	2.1	2.6	mA	3.0V	
D103	IDDHSPLL32	HS+PLL = 32 MHz	—	2.0	2.4	mA	3.0V	
D103	IDDHSPLL32	HS+PLL = 32 MHz	—	2.1	2.5	mA	3.0V	
D104	IDDIDLE	IDLE Mode, HFINTOSC = 16 MHz	—	733	1100	uA	3.0V	
D104	IDDIDLE	IDLE Mode, HFINTOSC = 16 MHz	—	743	1100	uA	3.0V	
D105	IDDDOZE <sup>(3)</sup>	DOZE mode, HFINTOSC = 16 MHz, DOZE Ratio = 16	—	786	—	uA	3.0V	
D105	IDDDOZE <sup>(3)</sup>	DOZE mode, HFINTOSC = 16 MHz, DOZE Ratio = 16	—	796	—	uA	3.0V	

† Data in “Typ.” column is at 3.0V, 25°C unless otherwise stated. These parameters are for design guidance only and are not tested.

- Note 1:** The test conditions for all IDD measurements in active operation mode are: OSC1 = external square wave, from rail-to-rail; all I/O pins tri-stated, pulled to VDD; MCLR = VDD; WDT disabled.
- 2:** The supply current is mainly a function of the operating voltage and frequency. Other factors, such as I/O pin loading and switching rate, oscillator type, internal code execution pattern and temperature, also have an impact on the current consumption.
- 3:**  $IDD_{DOZE} = [IDD_{IDLE} * (N-1)/N] + IDD_{HFO16}/N$  where N = DOZE Ratio (see [Register 9-2](#)).

# PIC16(L)F18313/18323

**TABLE 35-3: POWER-DOWN CURRENTS (IPD)<sup>(1,2,3)</sup>**

PIC16LF18313/18323			Standard Operating Conditions (unless otherwise stated)						
PIC16F18313/18323			Standard Operating Conditions (unless otherwise stated) VREGPM = 1						
Param. No.	Symbol	Device Characteristics	Min.	Typ.†	Max. +85°C	Max. +125°C	Units	Conditions	
								VDD	Note
D200	IPD	IPD Base	—	0.03	2	5.2	μA	3.0V	
D200	IPD	IPD Base	—	0.3	2.4	5.6	μA	3.0V	
			—	12.8	22	27	μA	3.0V	VREGPM = 0
D201	IPD_WDT	Low-Frequency Internal Oscillator/WDT	—	0.4	2.9	6	μA	3.0V	
D201	IPD_WDT	Low-Frequency Internal Oscillator/WDT	—	0.5	3.3	6.6	μA	3.0V	
D202	IPD_SOSC	Secondary Oscillator (SOSC)	—	1.3	2.8	6	μA	3.0V	
D202	IPD_SOSC	Secondary Oscillator (SOSC)	—	1.5	3.2	6.4	μA	3.0V	
D203	IPD_FVR	FVR	—	45	74	76	μA	3.0V	
D203	IPD_FVR	FVR	—	40	70	75	μA	3.0V	
D204	IPD_BOR	Brown-out Reset (BOR)	—	10.6	16	19	μA	3.0V	
D204	IPD_BOR	Brown-out Reset (BOR)	—	10.5	16.4	19.4	μA	3.0V	
D205	IPD_LPBOR	Low Power Brown-out Reset (LPBOR)	—	0.3	2.5	5.5	μA	3.0V	
D207	IPD_ADCA	ADC - Non-converting	—	0.3	2	5.2	μA	3.0V	ADC not converting <sup>(4)</sup>
D207	IPD_ADCA	ADC - Non-converting	—	0.3	2.4	5.6	μA	3.0V	ADC not converting <sup>(4)</sup>
D208	IPD_CMP	Comparator	—	30	45	50	μA	3.0V	
D208	IPD_CMP	Comparator	—	30	44	49	μA	3.0V	

\* These parameters are characterized but not tested.

† Data in "Typ." column is at 3.0V, 25°C unless otherwise stated. These parameters are for design guidance only and are not tested.

- Note 1:** The peripheral current is the sum of the base IPD and the additional current consumed when this peripheral is enabled. The peripheral Δ current can be determined by subtracting the base IDD or IPD current from this limit. Max values should be used when calculating total current consumption.
- 2:** The power-down current in Sleep mode does not depend on the oscillator type. Power-down current is measured with the part in Sleep mode, with all I/O pins in high-impedance state and tied to Vss.
- 3:** All peripheral currents listed are on a per-peripheral basis if more than one instance of a peripheral is available.
- 4:** ADC clock source is ADCRC.

# PIC16(L)F18313/18323

**TABLE 35-4: I/O PORTS**

DC CHARACTERISTICS			Standard Operating Conditions (unless otherwise stated)				
Param. No.	Sym.	Characteristic	Min.	Typ.†	Max.	Units	Conditions
D300 D301 D302 D303 D304 D305	V <sub>IL</sub>	<b>Input Low Voltage</b>					
		I/O PORT:					
		with TTL buffer	—	—	0.8	V	4.5V ≤ V <sub>DD</sub> ≤ 5.5V
			—	—	0.15 V <sub>DD</sub>	V	1.8V ≤ V <sub>DD</sub> ≤ 4.5V
		with Schmitt Trigger buffer	—	—	0.2 V <sub>DD</sub>	V	2.0V ≤ V <sub>DD</sub> ≤ 5.5V
		with I <sup>2</sup> C levels	—	—	0.3 V <sub>DD</sub>	V	
D304		with SMBus levels	—	—	0.8	V	2.7V ≤ V <sub>DD</sub> ≤ 5.5V
D305		$\overline{\text{MCLR}}$	—	—	0.2 V <sub>DD</sub>	V	
D320 D321 D322 D323 D324 D325	V <sub>IH</sub>	<b>Input High Voltage</b>					
		I/O PORT:					
		with TTL buffer	2.0	—	—	V	4.5V ≤ V <sub>DD</sub> ≤ 5.5V
			0.25 V <sub>DD</sub> + 0.8	—	—	V	1.8V ≤ V <sub>DD</sub> ≤ 4.5V
		with Schmitt Trigger buffer	0.8 V <sub>DD</sub>	—	—	V	2.0V ≤ V <sub>DD</sub> ≤ 5.5V
		with I <sup>2</sup> C levels	0.7 V <sub>DD</sub>	—	—	V	
D324		with SMBus levels	2.1	—	—	V	2.7V ≤ V <sub>DD</sub> ≤ 5.5V
D325		$\overline{\text{MCLR}}$	0.7 V <sub>DD</sub>	—	—	V	
D340 D341 D342	I <sub>IL</sub>	<b>Input Leakage Current<sup>(2)</sup></b>					
		I/O Ports	—	± 5	± 125	nA	V <sub>SS</sub> ≤ V <sub>PIN</sub> ≤ V <sub>DD</sub> , Pin at high-impedance, 85°C
			—	± 5	± 1000	nA	V <sub>SS</sub> ≤ V <sub>PIN</sub> ≤ V <sub>DD</sub> , Pin at high-impedance, 125°C
D342		$\overline{\text{MCLR}}^{(2)}$	—	± 50	± 200	nA	V <sub>SS</sub> ≤ V <sub>PIN</sub> ≤ V <sub>DD</sub> , Pin at high-impedance, 85°C
D350	I <sub>PUR</sub>	<b>Weak Pull-up Current</b>					
			25	120	200	μA	V <sub>DD</sub> = 3.0V, V <sub>PIN</sub> = V <sub>SS</sub>
D360	V <sub>OL</sub>	<b>Output Low Voltage<sup>(4)</sup></b>					
		I/O ports	—	—	0.6	V	I <sub>OL</sub> = 10.0 mA, V <sub>DD</sub> = 3.0V
D370	V <sub>OH</sub>	<b>Output High Voltage<sup>(4)</sup></b>					
		I/O ports	V <sub>DD</sub> - 0.7	—	—	V	I <sub>OH</sub> = 6.0 mA, V <sub>DD</sub> = 3.0V
D380	C <sub>IO</sub>	<b>All I/O pins</b>	—	5	50	pF	

\* These parameters are characterized but not tested.

† Data in "Typ." column is at 3.0V, 25°C unless otherwise stated. These parameters are for design guidance only and are not tested.

**Note 1:** Negative current is defined as current sourced by the pin.

**Note 2:** The leakage current on the  $\overline{\text{MCLR}}$  pin is strongly dependent on the applied voltage level. The specified levels represent normal operating conditions. Higher leakage current may be measured at different input voltages.

# PIC16(L)F18313/18323

**TABLE 35-5: MEMORY SPECIFICATIONS**

Standard Operating Conditions (unless otherwise stated)							
Param. No.	Sym.	Characteristic	Min.	Typ.†	Max.	Units	Conditions
<b>High Voltage Entry Programming Mode Specifications</b>							
MEM01	VIHH	Voltage on MCLR/VPP pin to enter Programming mode	7.9	—	9	V	Note 2
MEM02	IPPGM	Current on MCLR/VPP pin during Programming mode	—	—	—	uA	Note 2
<b>Programming Mode Specifications</b>							
MEM10	VBE	VDD for Bulk Erase	—	2.7	—	V	
MEM11	IDDPGM	Supply Current during Programming Operation	—	—	5	mA	
<b>Data EEPROM Memory Specifications</b>							
MEM20	ED	DataEE Byte Endurance	100k	—	—	E/W	-40°C ≤ Ta ≤ 85°C
MEM21	TD_RET	Characteristic Retention	—	40	—	Year	Provided no other specifications are violated
MEM22	ND_REF	Total Erase/Write Cycles before Refresh	—	—	100k	E/W	
MEM23	VD_RW	VDD for Read or Erase/Write Operation	VDDMIN	—	VDDMAX	V	
MEM24	TD_BEW	Byte Erase and Write Cycle Time	—	4.0	5.0	ms	
<b>Program Flash Memory Specifications</b>							
MEM30	EP	Flash Memory Cell Endurance	10k	—	—	E/W	-40°C ≤ Ta ≤ 85°C <b>(Note 1)</b>
MEM32	TP_RET	Characteristic Retention	—	40	—	Year	Provided no other specifications are violated
MEM33	VP_RD	VDD for Read Operation	VDDMIN	—	VDDMAX	V	
MEM34	VP_REW	VDD for Row Erase or Write Operation	VDDMIN	—	VDDMAX	V	
MEM35	TP_REW	Self-Timed Row Erase or Self-Timed Write	—	2.0	2.5	ms	

† Data in "Typ." column is at 3.0V, 25°C unless otherwise stated. These parameters are for design guidance only and are not tested.

**Note 1:** Flash Memory Cell Endurance for the Flash memory is defined as: One Row Erase operation and one Self-Timed Write.

**2:** Required only if CONFIG3.LVP is disabled.

# PIC16(L)F18313/18323

**TABLE 35-6: THERMAL CHARACTERISTICS**

Standard Operating Conditions (unless otherwise stated)					
Param. No.	Sym.	Characteristic	Typ.	Units	Conditions
TH01	$\theta_{JA}$	Thermal Resistance Junction to Ambient	70.0	°C/W	14-pin PDIP package
			95.3	°C/W	14-pin SOIC package
			100.0	°C/W	14-pin TSSOP package
			51.5	°C/W	16-pin UQFN 4x4mm package
			62.2	°C/W	20-pin PDIP package
			87.3	°C/W	20-pin SSOP package
			77.7	°C/W	20-pin SOIC package
			43.0	°C/W	20-pin UQFN 4x4mm package
TH02	$\theta_{JC}$	Thermal Resistance Junction to Case	32.75	°C/W	14-pin PDIP package
			31.0	°C/W	14-pin SOIC package
			24.4	°C/W	14-pin TSSOP package
			5.4	°C/W	16-pin UQFN 4x4mm package
			27.5	°C/W	20-pin PDIP package
			31.1	°C/W	20-pin SSOP package
			23.1	°C/W	20-pin SOIC package
			5.3	°C/W	20-pin UQFN 4x4mm package
TH03	T <sub>JMAX</sub>	Maximum Junction Temperature	150	°C	
TH04	PD	Power Dissipation	0.800	W	PD = P <sub>INTERNAL</sub> + P <sub>I/O</sub>
TH05	P <sub>INTERNAL</sub>	Internal Power Dissipation	—	W	P <sub>INTERNAL</sub> = I <sub>DD</sub> × V <sub>DD</sub> <sup>(1)</sup>
TH06	P <sub>I/O</sub>	I/O Power Dissipation	—	W	P <sub>I/O</sub> = $\Sigma (I_{OL} * V_{OL}) + \Sigma (I_{OH} * (V_{DD} - V_{OH}))$
TH07	P <sub>DER</sub>	Derated Power	—	W	P <sub>DER</sub> = P <sub>DMAX</sub> (T <sub>J</sub> - T <sub>A</sub> )/ $\theta_{JA}$ <sup>(2)</sup>

**Note 1:** I<sub>DD</sub> is current to run the chip alone without driving any load on the output pins.

**2:** T<sub>A</sub> = Ambient Temperature, T<sub>J</sub> = Junction Temperature

# PIC16(L)F18313/18323

## 35.4 AC Characteristics

FIGURE 35-4: LOAD CONDITIONS

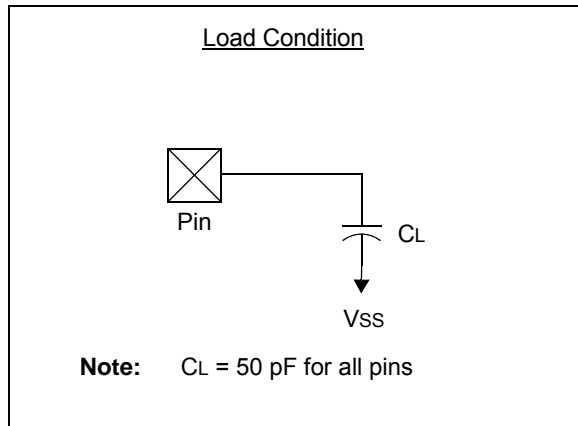
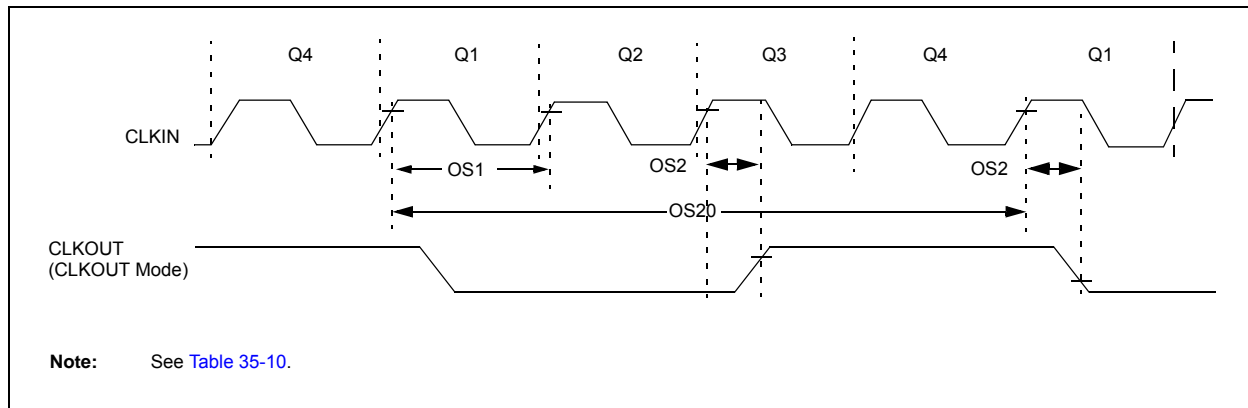


FIGURE 35-5: CLOCK TIMING





# PIC16(L)F18313/18323

**TABLE 35-7: EXTERNAL CLOCK/OSCILLATOR TIMING REQUIREMENTS**

Standard Operating Conditions (unless otherwise stated)							
Param. No.	Sym.	Characteristic	Min.	Typ.†	Max.	Units	Conditions
<b>ECL Oscillator</b>							
OS1	FECL	Clock Frequency	—	—	500	kHz	
OS2	TECL_DC	Clock Duty Cycle	40	—	60	%	
<b>ECM Oscillator</b>							
OS3	FECM	Clock Frequency	—	—	8	MHz	<b>Note 4</b>
OS4	TECM_DC	Clock Duty Cycle	40	—	60	%	
<b>ECH Oscillator</b>							
OS5	FECH	Clock Frequency	—	—	32	MHz	
OS6	TECH_DC	Clock Duty Cycle	40	—	60	%	
<b>LP Oscillator</b>							
OS7	FLP	Clock Frequency	—	—	100	kHz	<b>Note 4</b>
<b>XT Oscillator</b>							
OS8	FXT	Clock Frequency	—	—	4	MHz	<b>Note 4</b>
<b>HS Oscillator</b>							
OS9	FHS	Clock Frequency	—	—	20	MHz	<b>Note 4</b>
<b>System Clock</b>							
OS20	FOSC	System Clock Frequency	—	—	32	MHz	<b>Note 2, Note 3</b>
OS21	FCY	Instruction Frequency	—	FOSC/4	—	MHz	
OS22	TCY	Instruction Period	125	1/FCY	—	ns	

\* These parameters are characterized but not tested.

† Data in “Typ.” column is at 3.0V, 25°C unless otherwise stated. These parameters are for design guidance only and are not tested.

- Note 1:** Instruction cycle period (TCY) equals four times the input oscillator time base period. All specified values are based on characterization data for that particular oscillator type under standard operating conditions with the device executing code. Exceeding these specified limits may result in an unstable oscillator operation and/or higher than expected current consumption. All devices are tested to operate at “min” values with an external clock applied to OSC1 pin. When an external clock input is used, the “max” cycle time limit is “DC” (no clock) for all devices.
- 2:** The system clock frequency (FOSC) is selected by the “main clock switch controls” as described in [Section 7.3 “Clock Switching”](#).
- 3:** The system clock frequency (FOSC) must meet the voltage requirements defined in the [Section 35.2 “Standard Operating Conditions”](#). LP, XT and HS oscillator modes require an appropriate crystal or resonator to be connected to the device.
- 4:** For clocking the device with an external square wave, one of the EC mode selections must be used.

# PIC16(L)F18313/18323

**TABLE 35-8: INTERNAL OSCILLATOR PARAMETERS<sup>(1)</sup>**

Standard Operating Conditions (unless otherwise stated)							
Param. No.	Sym.	Characteristic	Min.	Typ.†	Max.	Units	Conditions
OS20	FHFOSC	Precision Calibrated HFINTOSC Frequency	—	4 8 12 16 32	—	MHz	-40°C to 125°C <sup>(2)</sup>
OS21	FHFOSCLP	Low-Power Optimized HFINTOSC Frequency	0.93 1.86	1 2	1.07 2.14	MHz MHz	
OS23	FLFOSC	Internal LFINTOSC Frequency	—	31	—	kHz	
OS24	THFOSCST	HFINTOSC Wake-up from Sleep Start-up Time	—	11 50	20 —	μs μs	VREGPM = 0 VREGPM = 1
OS26	TLFOSCST	LFINTOSC Wake-up from Sleep Start-up Time	—	0.2	—	ms	

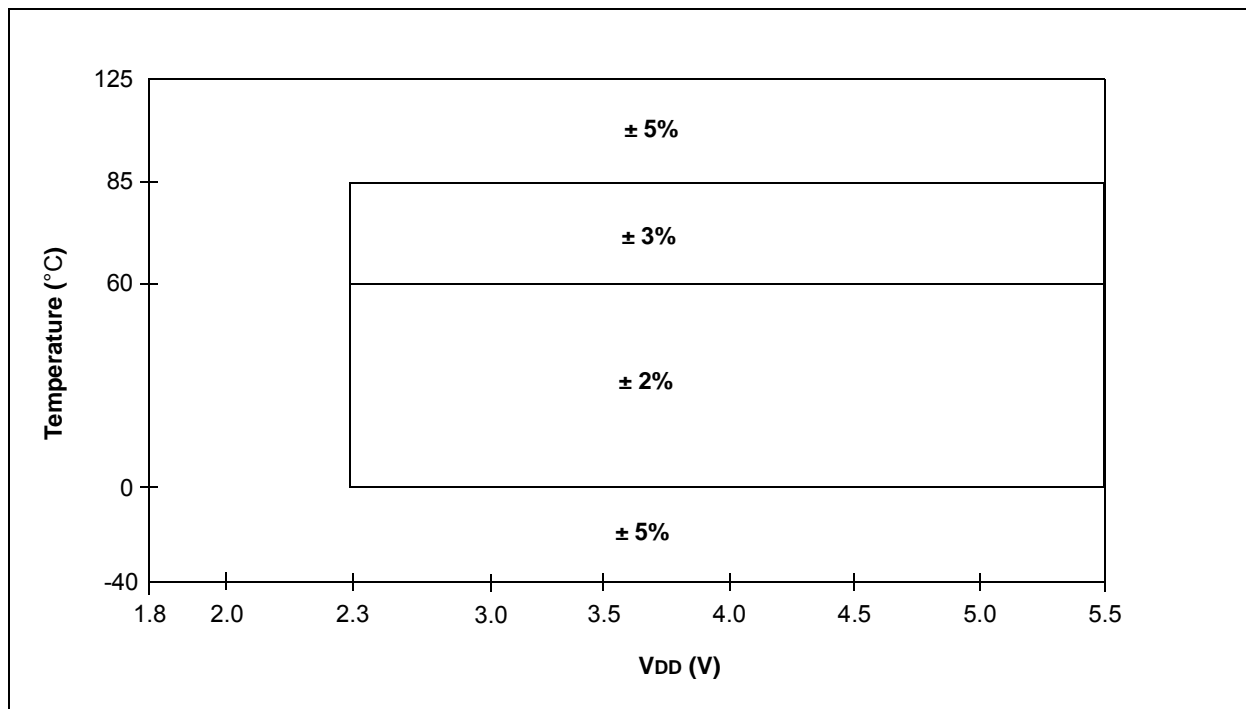
\* These parameters are characterized but not tested.

† Data in "Typ." column is at 3.0V, 25°C unless otherwise stated. These parameters are for design guidance only and are not tested.

**Note 1:** To ensure these oscillator frequency tolerances, VDD and VSS must be capacitively decoupled as close to the device as possible. 0.1 μF and 0.01 μF values in parallel are recommended.

**2:** See [Figure 35-6](#).

**FIGURE 35-6: PRECISION CALIBRATED HFINTOSC FREQUENCY ACCURACY OVER DEVICE VDD AND TEMPERATURE**



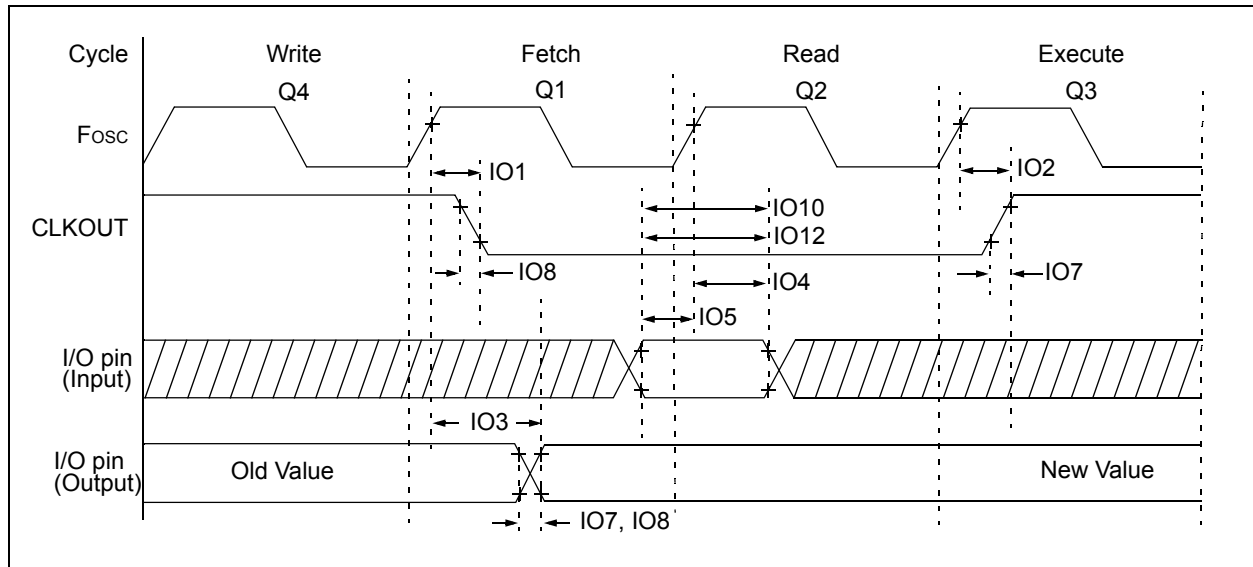
**TABLE 35-9: PLL CLOCK TIMING SPECIFICATIONS**

Standard Operating Conditions (unless otherwise stated)							
Param. No.	Sym.	Characteristic	Min.	Typ.†	Max.	Units	Conditions
PLL01	FPLLIN	PLL Input Frequency Range	4	—	8	MHz	
PLL02	FPLLOUT	PLL Output Frequency Range	16	—	32	MHz	
PLL03	TPLLST	PLL Lock Time from Start-up	—	200	—	μs	
PLL04	FPLLJIT	PLL Output Frequency Stability (Jitter)	-0.25	—	0.25	%	

\* These parameters are characterized but not tested.

† Data in "Typ." column is at 5V, 25°C unless otherwise stated. These parameters are for design guidance only and are not tested.

**FIGURE 35-7: CLKOUT AND I/O TIMING**



# PIC16(L)F18313/18323

**TABLE 35-10: CLKOUT AND I/O TIMING SPECIFICATIONS**

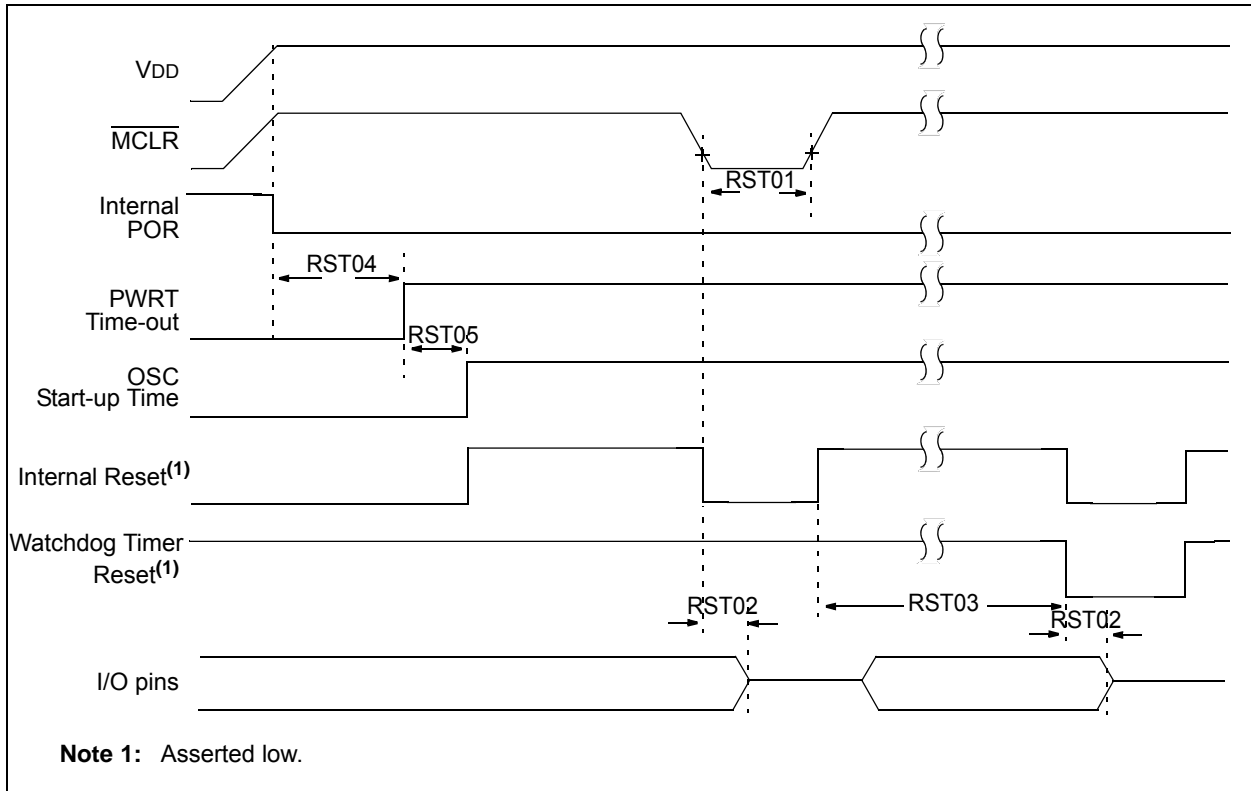
Standard Operating Conditions (unless otherwise stated)							
Param. No.	Sym.	Characteristic	Min.	Typ.†	Max.	Units	Conditions
IO1	TCLKOUTH	CLKOUT rising edge delay (rising edge FOSC (Q1 cycle) to falling edge CLKOUT)	—	—	70	ns	
IO2	TCLKOUTL	CLKOUT falling edge delay (rising edge FOSC (Q3 cycle) to rising edge CLKOUT)	—	—	72	ns	
IO3	TIO_VALID	Port output valid time (rising edge FOSC (Q1 cycle) to port valid)	—	50	70	ns	
IO4	TIO_SETUP	Port input setup time (Setup time before rising edge FOSC - Q2 cycle)	20	—	—	ns	
IO5	TIO_HOLD	Port input hold time (Hold time after rising edge FOSC - Q2 cycle)	50	—	—	ns	
IO6	TIOR_SLREN	Port I/O rise time, slew rate enabled	—	25	—	ns	VDD = 3.0V
IO7	TIOR_SLRDIS	Port I/O rise time, slew rate disabled	—	5	—	ns	VDD = 3.0V
IO8	TIOF_SLREN	Port I/O fall time, slew rate enabled	—	25	—	ns	VDD = 3.0V
IO9	TIOF_SLRDIS	Port I/O fall time, slew rate disabled	—	5	—	ns	VDD = 3.0V
IO10	TINT	INT pin high or low time to trigger an interrupt	25	—	—	ns	
IO11	TIOC	Interrupt-on-Change minimum high or low time to trigger interrupt	25	—	—	ns	

\* These parameters are characterized but not tested.

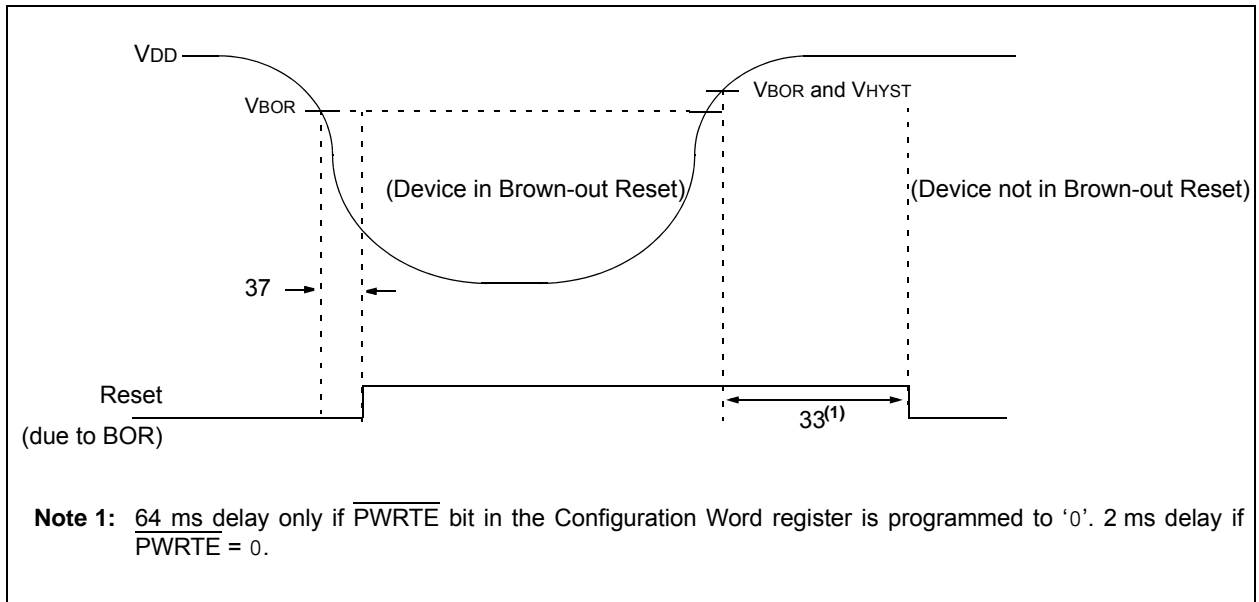
† Data in "Typ." column is at 3.0V, 25°C unless otherwise stated.

# PIC16(L)F18313/18323

**FIGURE 35-8: RESET, WATCHDOG TIMER, OSCILLATOR START-UP TIMER AND POWER-UP TIMER TIMING**



**FIGURE 35-9: BROWN-OUT RESET TIMING AND CHARACTERISTICS**



# PIC16(L)F18313/18323

**TABLE 35-11: RESET, WATCHDOG TIMER, OSCILLATOR START-UP TIMER, POWER-UP TIMER, BROWN-OUT RESET AND LOW POWER BROWN-OUT RESET SPECIFICATIONS**

Standard Operating Conditions (unless otherwise stated)							
Param. No.	Sym.	Characteristic	Min.	Typ.†	Max.	Units	Conditions
RST01	TMCLR	MCLR Pulse Width Low to ensure Reset	2	—	—	μs	
RST02	TIOZ	I/O high-impedance from Reset detection	—	—	2	μs	
RST03	TWDT	Watchdog Timer Time-out Period	10	16	27	ms	16 ms Nominal Reset Time
RST04*	TPWRT	Power-up Timer Period	40	65	140	ms	
RST05	TOST	Oscillator Start-up Timer Period <sup>(1,2)</sup>	—	1024	—	TOSC	<b>(Note3)</b>
RST06	VBOR	Brown-out Reset Voltage <sup>(4)</sup>	2.55 2.30 1.80	2.70 2.45 1.90	2.85 2.60 2.10	V V V	BORV = 0 BORV = 1 (PIC16F18313/18323) BORV = 1 (PIC16LF18313/18323)
RST07	VBORHYS	Brown-out Reset Hysteresis	0	25	75	mV	
RST08	TBORDC	Brown-out Reset Response Time	1	3	35	μs	
RST09	VLPBOR	Low-Power Brown-out Reset Voltage	1.8	2.1	2.5	V	PIC16LF18313/18323

\* These parameters are characterized but not tested.

† Data in "Typ." column is at 3.0V, 25°C unless otherwise stated. These parameters are for design guidance only and are not tested.

**Note 1:** Instruction cycle period (T<sub>cy</sub>) equals four times the input oscillator time base period. All specified values are based on characterization data for that particular oscillator type under standard operating conditions with the device executing code. Exceeding these specified limits may result in an unstable oscillator operation and/or higher than expected current consumption. All devices are tested to operate at "min" values with an external clock applied to the OSC1 pin. When an external clock input is used, the "max" cycle time limit is "DC" (no clock) for all devices.

**2:** By design.

**3:** Period of the slower clock.

**4:** To ensure these voltage tolerances, V<sub>DD</sub> and V<sub>SS</sub> must be capacitively decoupled as close to the device as possible. 0.1 μF and 0.01 μF values in parallel are recommended.

# PIC16(L)F18313/18323

**TABLE 35-12: ANALOG-TO-DIGITAL CONVERTER (ADC) CHARACTERISTICS<sup>(1,2)</sup>**

Standard Operating Conditions (unless otherwise stated)							
V <sub>DD</sub> = 3.0V, T <sub>A</sub> = 25°C							
Param. No.	Sym.	Characteristic	Min.	Typ.†	Max.	Units	Conditions
AD01	NR	Resolution	—	—	10	bit	
AD02	EIL	Integral Error	—	±0.1	±1.0	LSb	ADCRE <sub>F+</sub> = 3.0V, ADCRE <sub>F-</sub> = 0V
AD03	EDL	Differential Error	—	±0.1	±1.0	LSb	ADCRE <sub>F+</sub> = 3.0V, ADCRE <sub>F-</sub> = 0V
AD04	E <sub>OFF</sub>	Offset Error	—	0.5	±2.0	LSb	ADCRE <sub>F+</sub> = 3.0V, ADCRE <sub>F-</sub> = 0V
AD05	E <sub>GN</sub>	Gain Error	—	±0.2	±2.0	LSb	ADCRE <sub>F+</sub> = 3.0V, ADCRE <sub>F-</sub> = 0V
AD06	V <sub>ADREF</sub>	ADC Reference Voltage (ADREF+)	1.8	—	V <sub>DD</sub>	V	
AD07	V <sub>AIN</sub>	Full-Scale Range	V <sub>SS</sub>	—	ADREF+	V	
AD08	Z <sub>AIN</sub>	Recommended Impedance of Analog Voltage Source	—	10	—	kΩ	
AD09	R <sub>VREF</sub>	ADC Voltage Reference Ladder Impedance	—	50	—	kΩ	

\* These parameters are characterized but not tested.

† Data in "Typ." column is at 3.0V, 25°C unless otherwise stated. These parameters are for design guidance only and are not tested.

**Note 1:** Total Absolute Error is the sum of the offset, gain and integral non-linearity (INL) errors.

**2:** The ADC conversion result never decreases with an increase in the input and has no missing codes.

# PIC16(L)F18313/18323

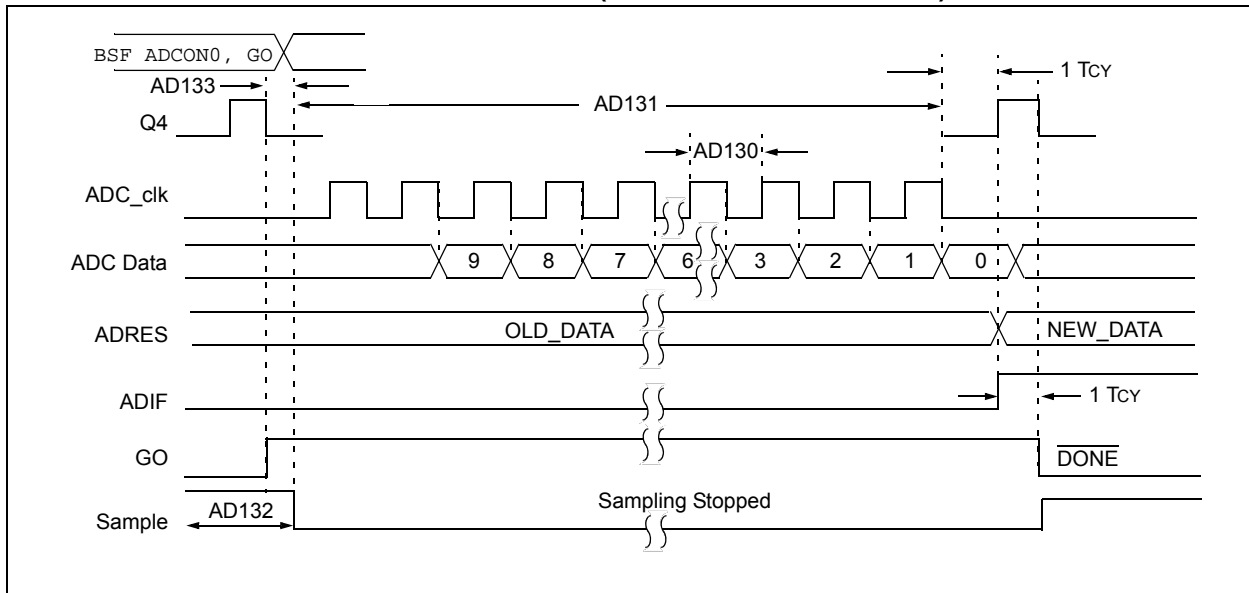
**TABLE 35-13: ANALOG-TO DIGITAL CONVERTER (ADC) CONVERSION TIMING SPECIFICATIONS<sup>(1,2)</sup>**

Standard Operating Conditions (unless otherwise stated)							
Param. No.	Sym.	Characteristic	Min.	Typ.†	Max.	Units	Conditions
AD20	TAD	ADC Clock Period	1	—	9	us	Using Fosc as the ADC clock source; ADCS != x11
AD21			1	2	6	us	Using ADCRC as the ADC clock source; ADCS = x11
AD22	TCNV	Conversion Time	—	11	—	TAD	Set of GO/DONE bit to Clear of GO/DONE bit
AD23	TACQ	Acquisition Time	—	2	—	us	
AD24	THCD	Sample and Hold Capacitor Disconnect Time	0.5	—	—	TAD	Fosc based clock source
			0.5	—	—	TAD	ADCRC based clock source

\* These parameters are characterized but not tested.

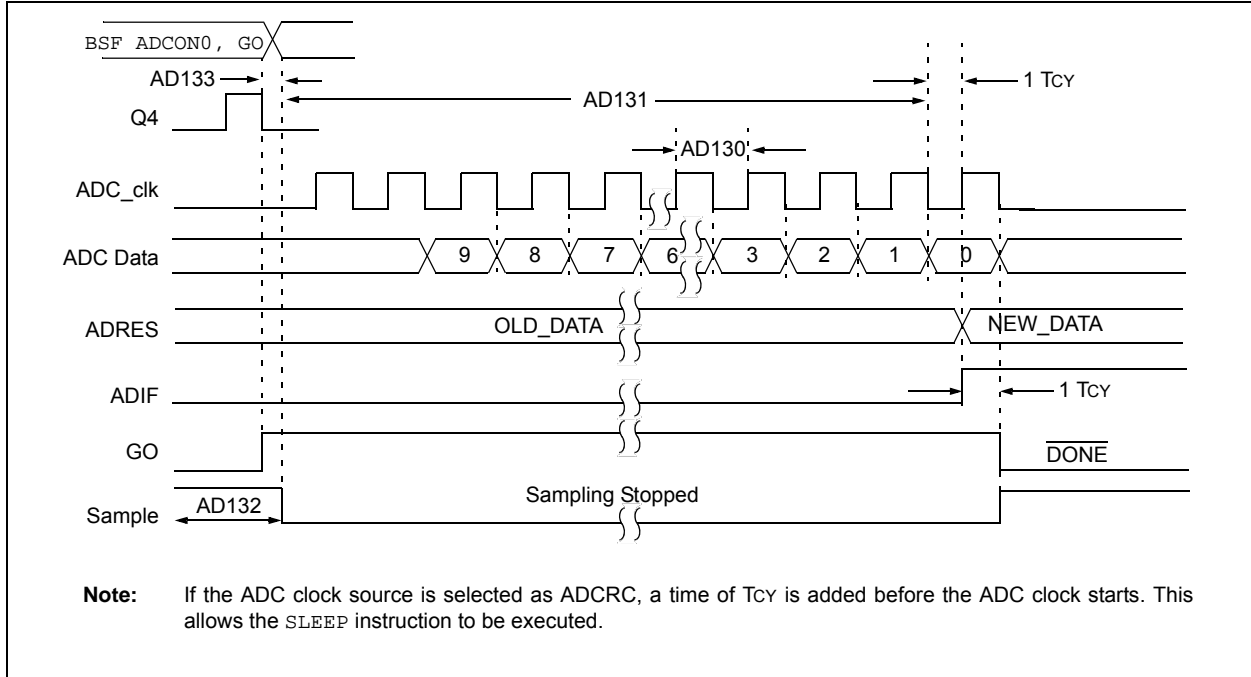
† Data in "Typ." column is at 3.0V, 25°C unless otherwise stated. These parameters are for design guidance only and are not tested.

**FIGURE 35-10: ADC CONVERSION TIMING (ADC CLOCK Fosc-BASED)**





**FIGURE 35-11: ADC CONVERSION TIMING (ADC CLOCK FROM ADCRC)**



# PIC16(L)F18313/18323

**TABLE 35-14: COMPARATOR SPECIFICATIONS**

Standard Operating Conditions (unless otherwise stated) V <sub>DD</sub> = 3.0V, T <sub>A</sub> = 25°C See <a href="#">Section 36.0 “DC and AC Characteristics Graphs and Charts”</a> for operating characterization.							
Param No.	Sym.	Characteristics	Min.	Typ.	Max.	Units	Comments
CM01	V <sub>IOFF</sub>	Input Offset Voltage	—	—	±50	mV	V <sub>ICM</sub> = V <sub>DD</sub> /2
CM02	V <sub>ICM</sub>	Input Common Mode Voltage	GND	—	V <sub>DD</sub>	V	
CM03	CMRR	Common Mode Input Rejection Ratio	—	50	—	dB	
CM04	CHYST	Comparator Hysteresis	15	25	35	mV	
CM05	T <sub>RESP</sub> <sup>(1)</sup>	Response Time, Rising Edge	—	300	600	ns	
		Response Time, Falling Edge	—	220	500	ns	
CM06*	T <sub>MCV2VO</sub> <sup>(2)</sup>	Mode Change to Valid Output	—	—	10	us	

\* These parameters are characterized but not tested.

**Note 1:** Response time measured with one comparator input at V<sub>DD</sub>/2, while the other input transitions from V<sub>SS</sub> to V<sub>DD</sub>.

**2:** A mode change includes changing any of the control register values, including module enable.

**TABLE 35-15: DIGITAL-TO-ANALOG CONVERTER (DAC) SPECIFICATIONS**

Standard Operating Conditions (unless otherwise stated) V <sub>DD</sub> = 3.0V, T <sub>A</sub> = 25°C							
Param No.	Sym.	Characteristics	Min.	Typ.†	Max.	Units	Comments
DSB01	V <sub>LSB</sub>	Step Size	—	V <sub>DD</sub> /32	—	V	
DSB01	V <sub>ACC</sub>	Absolute Accuracy	—	—	± 0.5	LSb	
DSB03*	R <sub>UNIT</sub>	Unit Resistor Value	—	6000	—	Ω	
DSB04*	T <sub>ST</sub>	Settling Time <sup>(1)</sup>	—	—	10	μs	

\* These parameters are characterized but not tested.

† Data in “Typ” column is at 3.0V, 25°C unless otherwise stated. These parameters are for design guidance only and are not tested.

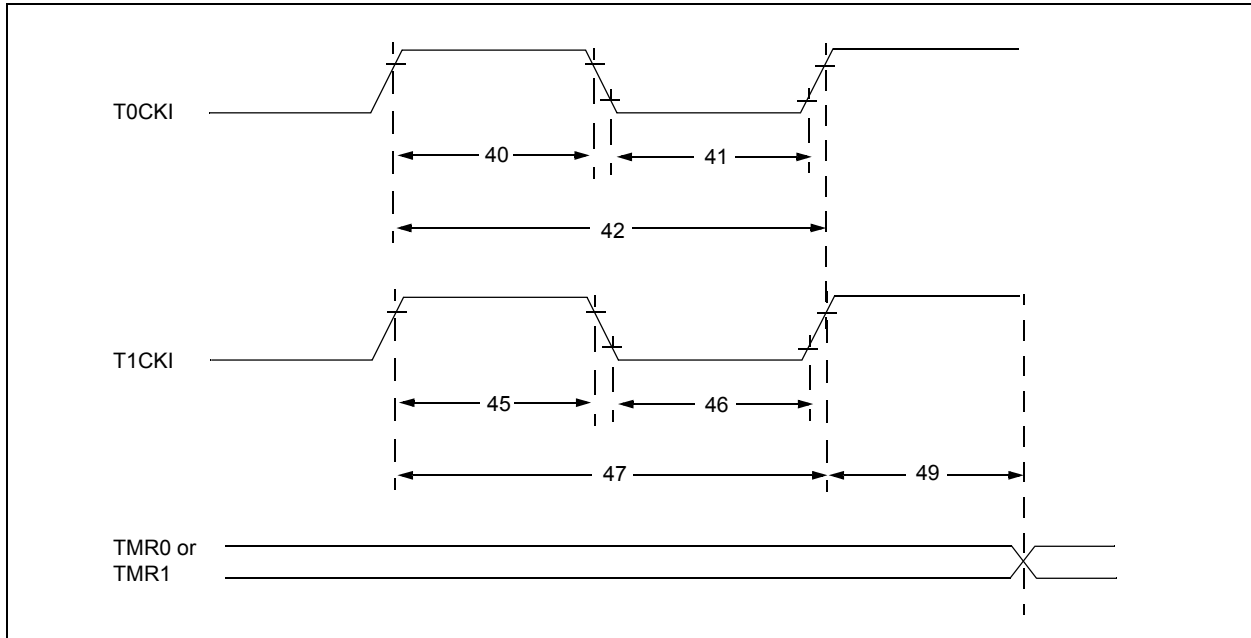
**Note 1:** Settling time measured while DACR<4:0> transitions from ‘00000’ to ‘01111’.

**TABLE 35-16: FIXED VOLTAGE REFERENCE (FVR) SPECIFICATIONS**

Standard Operating Conditions (unless otherwise stated)							
Param. No.	Symbol	Characteristic	Min.	Typ.	Max.	Units	Conditions
FVR01	V <sub>FVR1</sub>	1x Gain (1.024V nominal)	-4	—	4	%	V <sub>DD</sub> ≥ 2.5V, -40°C to 85°C
FVR02	V <sub>FVR2</sub>	2x Gain (2.048V nominal)	-4	—	4	%	V <sub>DD</sub> ≥ 2.5V, -40°C to 85°C
FVR03	V <sub>FVR4</sub>	4x Gain (4.096V nominal)	-5	—	5	%	V <sub>DD</sub> ≥ 4.75V, -40°C to 85°C
FVR04	T <sub>FVRST</sub>	FVR Start-up Time	—	35	—	μs	

# PIC16(L)F18313/18323

**FIGURE 35-12: TIMER0 AND TIMER1 EXTERNAL CLOCK TIMINGS**



**TABLE 35-17: TIMER0 AND TIMER1 EXTERNAL CLOCK REQUIREMENTS**

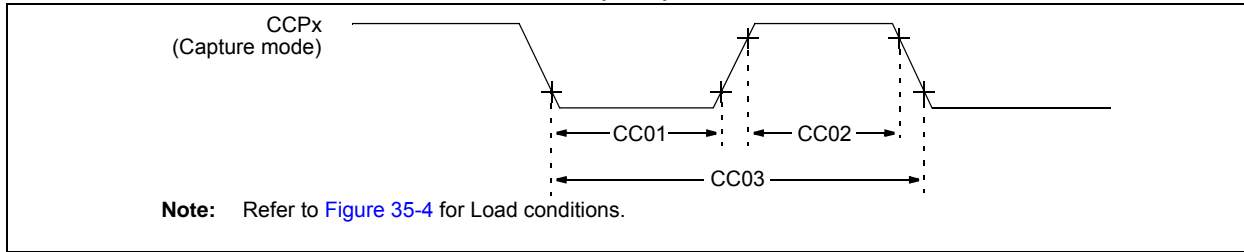
Standard Operating Conditions (unless otherwise stated)								
Param. No.	Sym.	Characteristic		Min.	Typ.†	Max.	Units	Conditions
40*	T <sub>T0H</sub>	T0CKI High Pulse Width	No Prescaler	$0.5 T_{CY} + 20$	—	—	ns	
			With Prescaler	10	—	—	ns	
41*	T <sub>T0L</sub>	T0CKI Low Pulse Width	No Prescaler	$0.5 T_{CY} + 20$	—	—	ns	
			With Prescaler	10	—	—	ns	
42*	T <sub>T0P</sub>	T0CKI Period		Greater of: $20$ or $\frac{T_{CY} + 40}{N}$	—	—	ns	N = prescale value
45*	T <sub>T1H</sub>	T1CKI High Time	Synchronous, No Prescaler	$0.5 T_{CY} + 20$	—	—	ns	
			Synchronous, with Prescaler	15	—	—	ns	
			Asynchronous	30	—	—	ns	
46*	T <sub>T1L</sub>	T1CKI Low Time	Synchronous, No Prescaler	$0.5 T_{CY} + 20$	—	—	ns	
			Synchronous, with Prescaler	15	—	—	ns	
			Asynchronous	30	—	—	ns	
47*	T <sub>T1P</sub>	T1CKI Input Period	Synchronous	Greater of: $30$ or $\frac{T_{CY} + 40}{N}$	—	—	ns	N = prescale value
			Asynchronous	60	—	—	ns	
48	F <sub>T1</sub>	Secondary Oscillator Input Frequency Range (oscillator enabled by setting bit T1OSCEN)		32.4	32.768	33.1	kHz	
49*	TCKEZ <sub>TMR1</sub>	Delay from External Clock Edge to Timer Increment		$2 T_{osc}$	—	$7 T_{osc}$	—	Timers in Sync mode

\* These parameters are characterized but not tested.

† Data in "Typ." column is at 3.0V, 25°C unless otherwise stated. These parameters are for design guidance only and are not tested.

# PIC16(L)F18313/18323

**FIGURE 35-13: CAPTURE/COMPARE/PWM (CCP) TIMINGS**



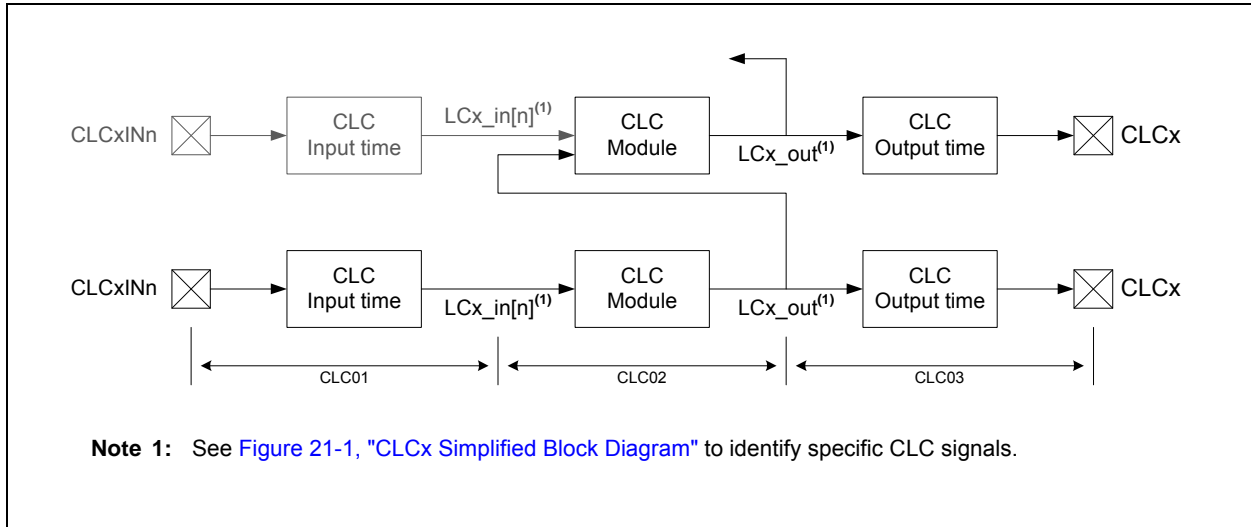
**TABLE 35-18: CAPTURE/COMPARE/PWM (CCP) CHARACTERISTICS**

Standard Operating Conditions (unless otherwise stated)								
Param. No.	Sym.	Characteristic		Min.	Typ.†	Max.	Units	Conditions
CC01*	TccL	CCPx Input Low Time	No Prescaler	$0.5T_{CY} + 20$	—	—	ns	
			With Prescaler	20	—	—	ns	
CC02*	TccH	CCPx Input High Time	No Prescaler	$0.5T_{CY} + 20$	—	—	ns	
			With Prescaler	20	—	—	ns	
CC03*	TccP	CCPx Input Period		$\frac{3T_{CY} + 40}{N}$	—	—	ns	N = prescale value

\* These parameters are characterized but not tested.

† Data in "Typ." column is at 3.0V, 25°C unless otherwise stated. These parameters are for design guidance only and are not tested.

**FIGURE 35-14: CLC PROPAGATION TIMING**



**TABLE 35-19: CONFIGURABLE LOGIC CELL (CLC) CHARACTERISTICS**

Standard Operating Conditions (unless otherwise stated)							
Param. No.	Sym.	Characteristic	Min.	Typ.†	Max.	Units	Conditions
CLC01*	TCLCIN	CLC input time	—	7	OS17	ns	(Note 1)
CLC02*	TCLC	CLC module input to output propagation time	—	24	—	ns	V <sub>DD</sub> = 1.8V V <sub>DD</sub> > 3.6V
			—	12	—	ns	
CLC03*	TCLCOUT	CLC output time	Rise Time	—	OS18	—	(Note 1)
			Fall Time	—	OS19	—	(Note 1)
CLC04*	FCLCMAX	CLC maximum switching frequency	—	32	FOSC	MHz	

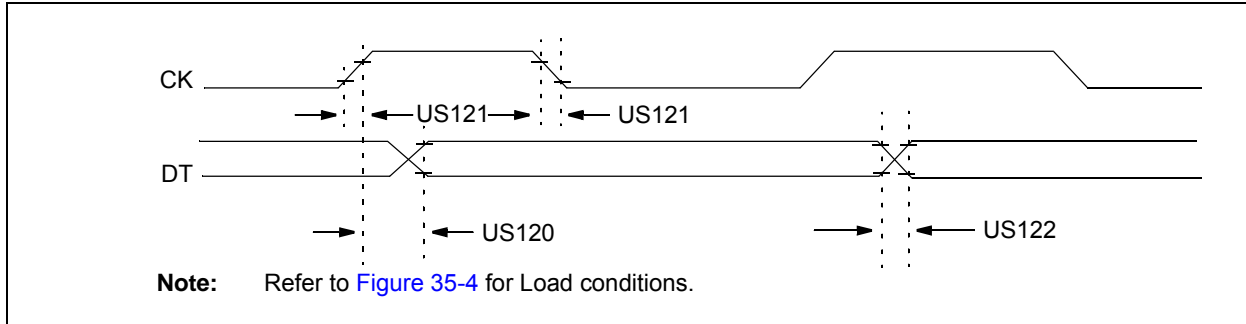
\* These parameters are characterized but not tested.

† Data in "Typ." column is at 3.0V, 25°C unless otherwise stated. These parameters are for design guidance only and are not tested.

**Note 1:** See Table 35-10 for OS17, OS18 and OS19 rise and fall times.

# PIC16(L)F18313/18323

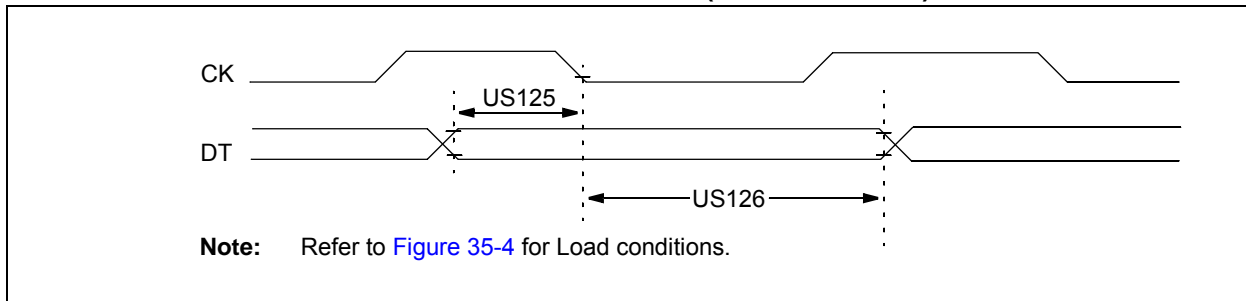
**FIGURE 35-15: EUSART SYNCHRONOUS TRANSMISSION (MASTER/SLAVE) TIMING**



**TABLE 35-20: EUSART SYNCHRONOUS TRANSMISSION CHARACTERISTICS**

Standard Operating Conditions (unless otherwise stated)						
Param. No.	Symbol	Characteristic	Min.	Max.	Units	Conditions
US120	T <sub>CKH2DTV</sub>	SYNC XMIT (Master and Slave) Clock high to data-out valid	—	80	ns	3.0V ≤ V <sub>DD</sub> ≤ 5.5V
			—	100	ns	1.8V ≤ V <sub>DD</sub> ≤ 5.5V
US121	T <sub>CKRF</sub>	Clock out rise time and fall time (Master mode)	—	45	ns	3.0V ≤ V <sub>DD</sub> ≤ 5.5V
			—	50	ns	1.8V ≤ V <sub>DD</sub> ≤ 5.5V
US122	T <sub>DTRF</sub>	Data-out rise time and fall time	—	45	ns	3.0V ≤ V <sub>DD</sub> ≤ 5.5V
			—	50	ns	1.8V ≤ V <sub>DD</sub> ≤ 5.5V

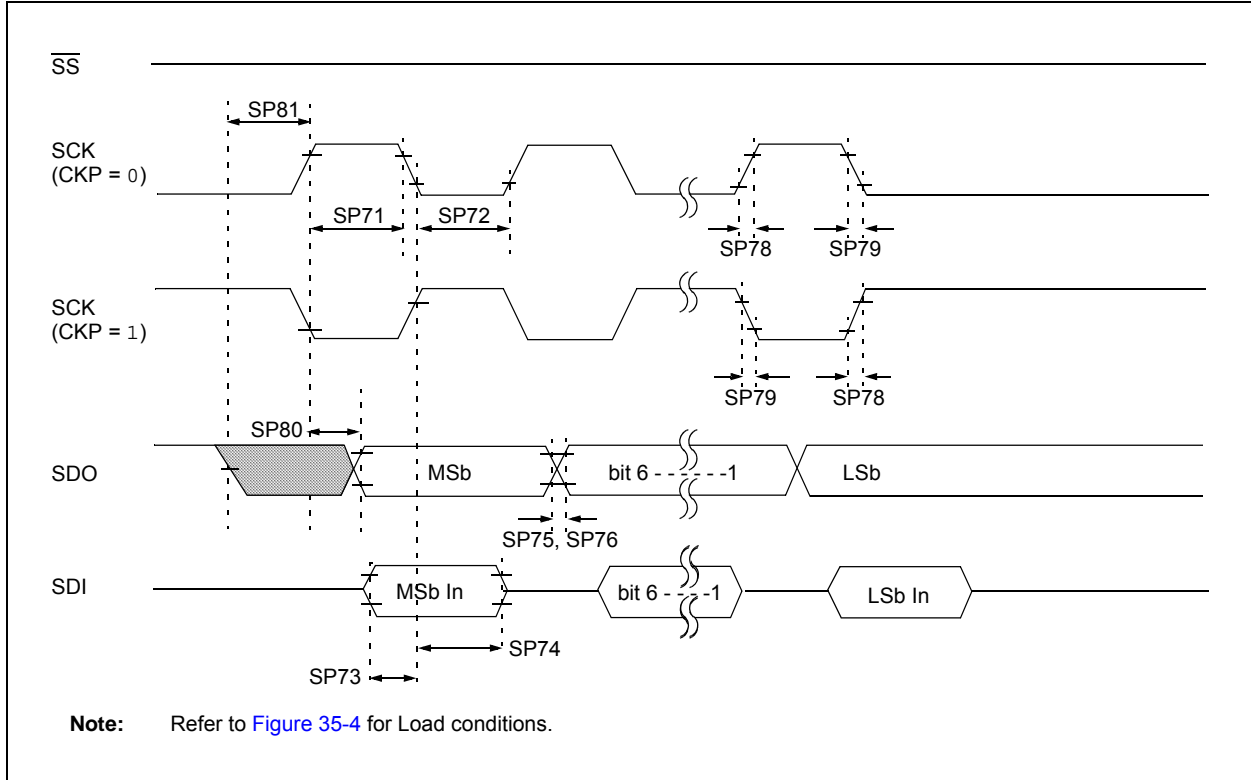
**FIGURE 35-16: EUSART SYNCHRONOUS RECEIVE (MASTER/SLAVE) TIMING**



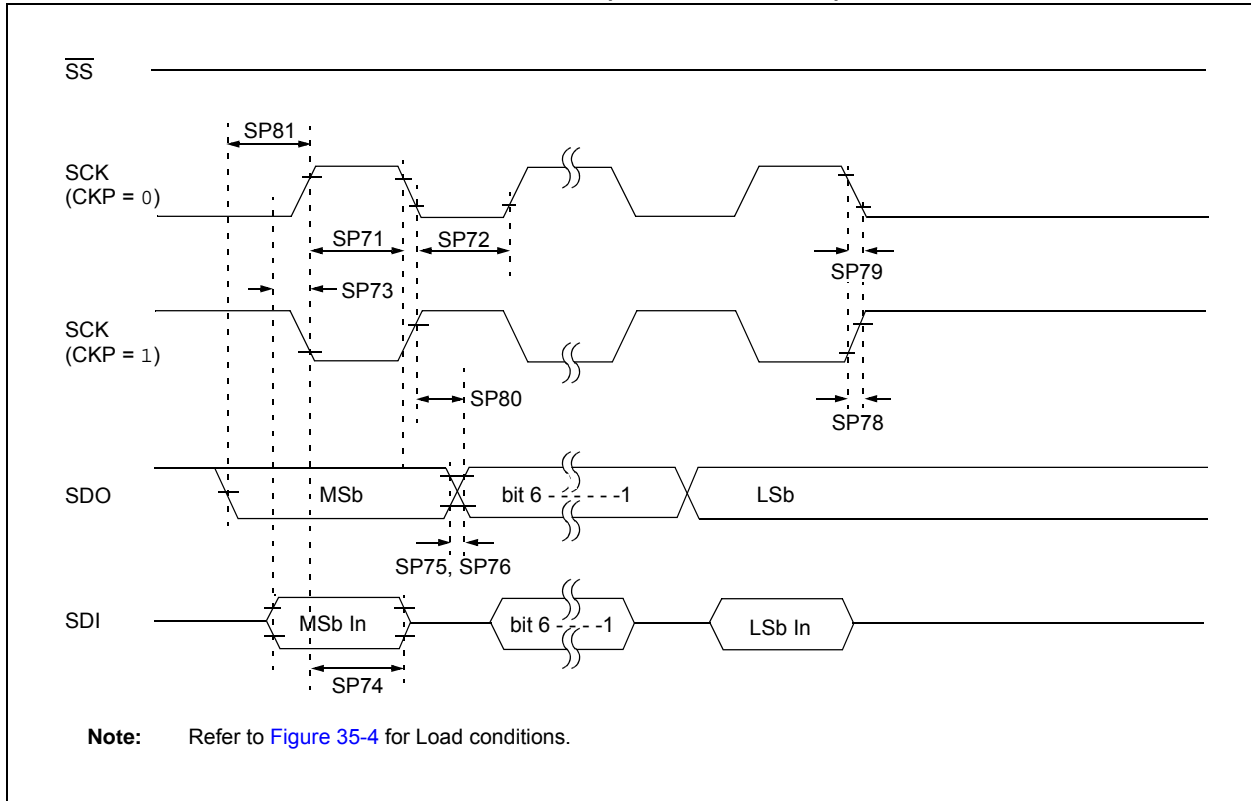
**TABLE 35-21: EUSART SYNCHRONOUS RECEIVE CHARACTERISTICS**

Standard Operating Conditions (unless otherwise stated)						
Param. No.	Symbol	Characteristic	Min.	Max.	Units	Conditions
US125	T <sub>DTV2CKL</sub>	SYNC RCV (Master and Slave) Data-setup before CK ↓ (DT hold time)	10	—	ns	
US126	T <sub>CKL2DTL</sub>	Data-hold after CK ↓ (DT hold time)	15	—	ns	

**FIGURE 35-17: SPI MASTER MODE TIMING (CKE = 0, SMP = 0)**

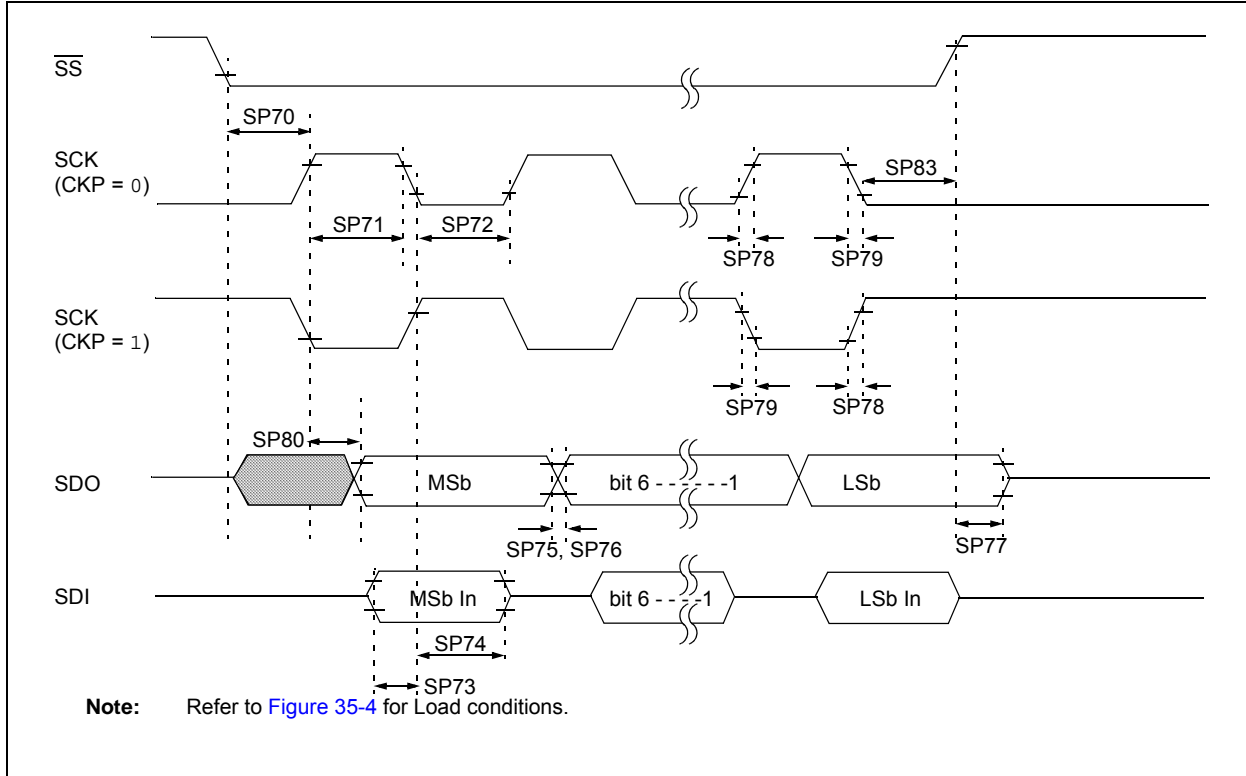


**FIGURE 35-18: SPI MASTER MODE TIMING (CKE = 1, SMP = 1)**

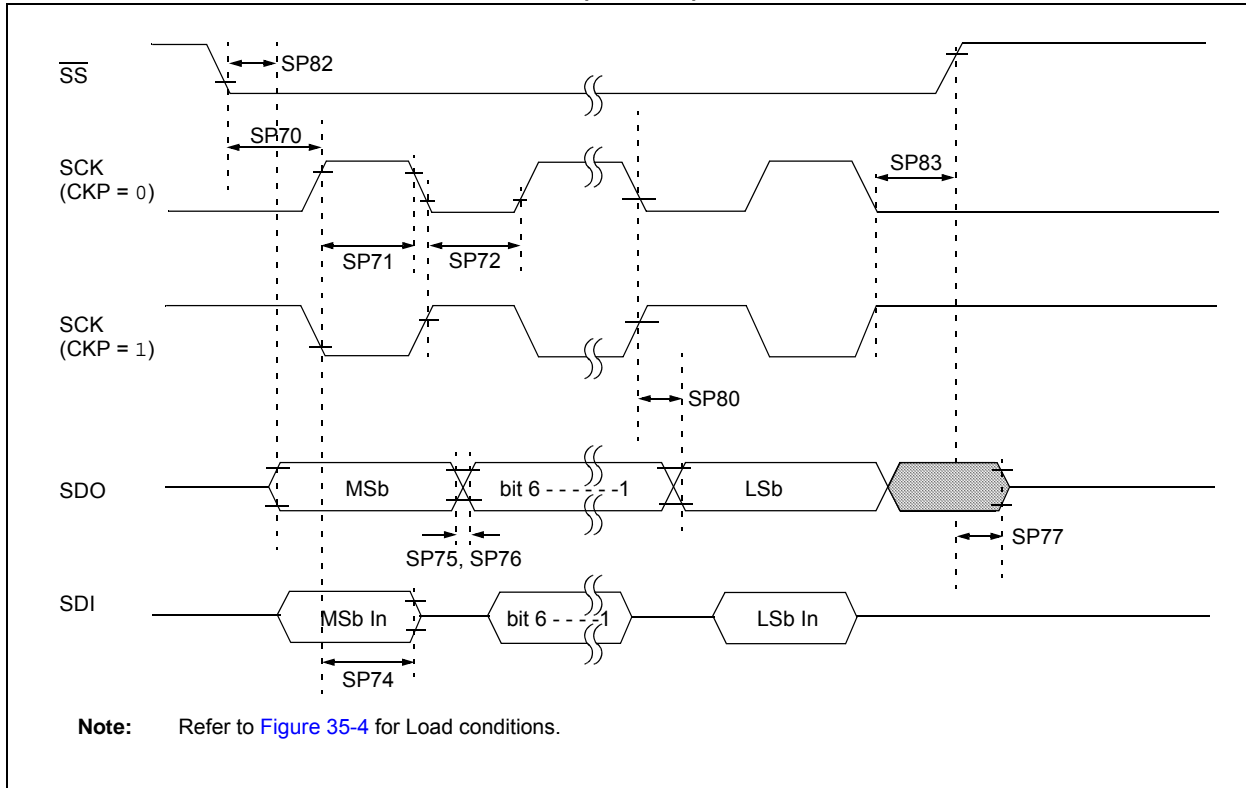


# PIC16(L)F18313/18323

**FIGURE 35-19: SPI SLAVE MODE TIMING (CKE = 0)**



**FIGURE 35-20: SPI SLAVE MODE TIMING (CKE = 1)**





**TABLE 35-22: SPI MODE CHARACTERISTICS**

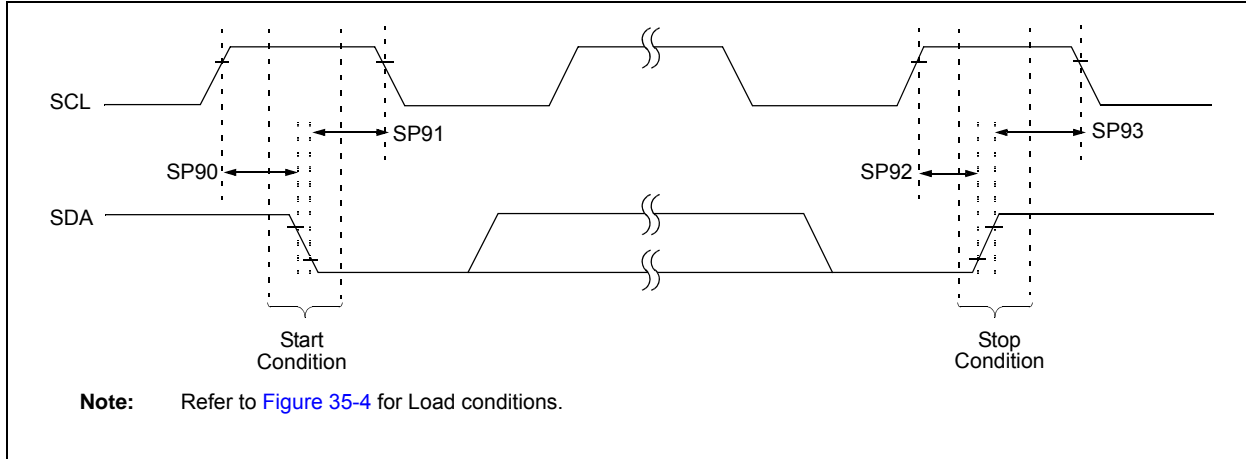
Standard Operating Conditions (unless otherwise stated)							
Param. No.	Symbol	Characteristic	Min.	Typ.†	Max.	Units	Conditions
SP70*	TssL2scH, TssL2scL	$\overline{SS}\downarrow$ to SCK $\downarrow$ or SCK $\uparrow$ input	2.25*Tcy	—	—	ns	
SP71*	Tsch	SCK input high time (Slave mode)	Tcy + 20	—	—	ns	
SP72*	Tscl	SCK input low time (Slave mode)	Tcy + 20	—	—	ns	
SP73*	TdIV2scH, TdIV2scL	Setup time of SDI data input to SCK edge	100	—	—	ns	
SP74*	Tsch2diL, Tscl2diL	Hold time of SDI data input to SCK edge	100	—	—	ns	
SP75*	TdOR	SDO data output rise time	—	10	25	ns	3.0V ≤ VDD ≤ 5.5V
			—	25	50	ns	1.8V ≤ VDD ≤ 5.5V
SP76*	TdOF	SDO data output fall time	—	10	25	ns	
SP77*	TssH2doZ	$\overline{SS}\uparrow$ to SDO output high-impedance	10	—	50	ns	
SP78*	TscR	SCK output rise time (Master mode)	—	10	25	ns	3.0V ≤ VDD ≤ 5.5V
			—	25	50	ns	1.8V ≤ VDD ≤ 5.5V
SP79*	TscF	SCK output fall time (Master mode)	—	10	25	ns	
SP80*	Tsch2doV, Tscl2doV	SDO data output valid after SCK edge	—	—	50	ns	3.0V ≤ VDD ≤ 5.5V
			—	—	145	ns	1.8V ≤ VDD ≤ 5.5V
SP81*	TdOV2scH, TdOV2scL	SDO data output setup to SCK edge	1 Tcy	—	—	ns	
SP82*	TssL2doV	SDO data output valid after $\overline{SS}\downarrow$ edge	—	—	50	ns	
SP83*	Tsch2ssH, Tscl2ssH	$\overline{SS}\uparrow$ after SCK edge	1.5 Tcy + 40	—	—	ns	

\* These parameters are characterized but not tested.

† Data in "Typ." column is at 3.0V, 25°C unless otherwise stated. These parameters are for design guidance only and are not tested.

# PIC16(L)F18313/18323

**FIGURE 35-21: I<sup>2</sup>C BUS START/STOP BITS TIMING**

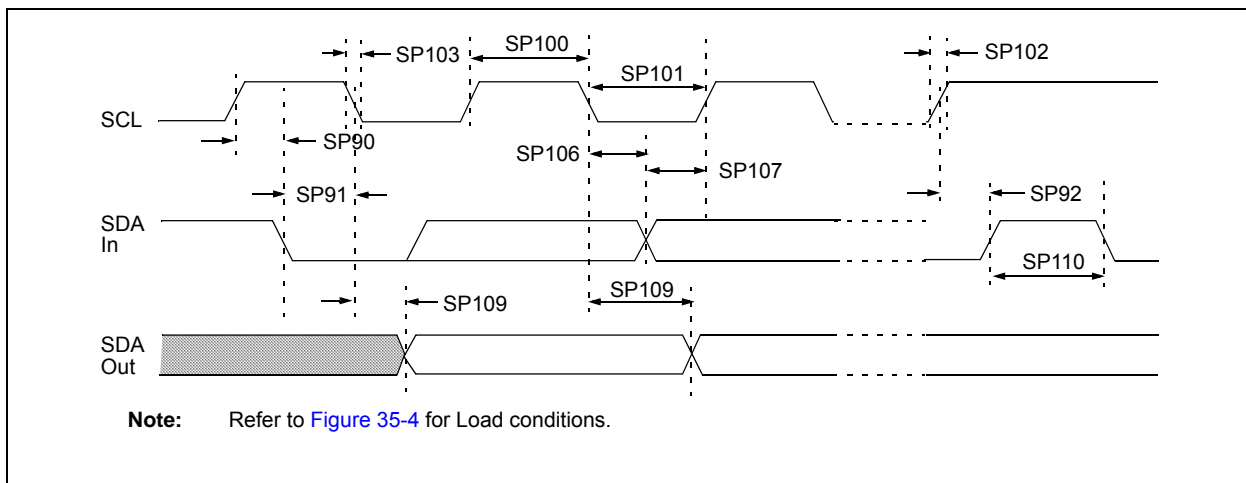


**TABLE 35-23: I<sup>2</sup>C BUS START/STOP BITS CHARACTERISTICS**

Standard Operating Conditions (unless otherwise stated)								
Param. No.	Symbol	Characteristic		Min.	Typ.	Max.	Units	Conditions
SP90*	TSU:STA	Start condition	100 kHz mode	4700	—	—	ns	Only relevant for Repeated Start condition
			400 kHz mode	600	—	—		
SP91*	THD:STA	Start condition	100 kHz mode	4000	—	—	ns	After this period, the first clock pulse is generated
			400 kHz mode	600	—	—		
SP92*	TSU:STO	Stop condition	100 kHz mode	4700	—	—	ns	
			400 kHz mode	600	—	—		
SP93	THD:STO	Stop condition	100 kHz mode	4000	—	—	ns	
			400 kHz mode	600	—	—		

\* These parameters are characterized but not tested.

**FIGURE 35-22: I<sup>2</sup>C BUS DATA TIMING**



**TABLE 35-24: I<sup>2</sup>C BUS DATA CHARACTERISTICS**

Standard Operating Conditions (unless otherwise stated)							
Param. No.	Symbol	Characteristic	Min.	Max.	Units	Conditions	
SP100*	T <sub>HIGH</sub>	Clock high time	100 kHz mode	4.0	—	μs	Device must operate at a minimum of 1.5 MHz
			400 kHz mode	0.6	—	μs	Device must operate at a minimum of 10 MHz
			SSP module	1.5T <sub>CY</sub>	—		
SP101*	T <sub>LOW</sub>	Clock low time	100 kHz mode	4.7	—	μs	Device must operate at a minimum of 1.5 MHz
			400 kHz mode	1.3	—	μs	Device must operate at a minimum of 10 MHz
			SSP module	1.5T <sub>CY</sub>	—		
SP102*	T <sub>R</sub>	SDA and SCL rise time	100 kHz mode	—	1000	ns	C <sub>B</sub> is specified to be from 10-400 pF
			400 kHz mode	20 + 0.1C <sub>B</sub>	300	ns	
SP103*	T <sub>F</sub>	SDA and SCL fall time	100 kHz mode	—	250	ns	C <sub>B</sub> is specified to be from 10-400 pF
			400 kHz mode	20 + 0.1C <sub>B</sub>	250	ns	
SP106*	T <sub>HD:DAT</sub>	Data input hold time	100 kHz mode	0	—	ns	
			400 kHz mode	0	0.9	μs	
SP107*	T <sub>SU:DAT</sub>	Data input setup time	100 kHz mode	250	—	ns	<b>(Note 2)</b>
			400 kHz mode	100	—	ns	
SP109*	T <sub>AA</sub>	Output valid from clock	100 kHz mode	—	3500	ns	<b>(Note 1)</b>
			400 kHz mode	—	—	ns	
SP110*	T <sub>BUF</sub>	Bus free time	100 kHz mode	4.7	—	μs	Time the bus must be free before a new transmission can start
			400 kHz mode	1.3	—	μs	
SP111	C <sub>B</sub>	Bus capacitive loading	—	400	pF		

\* These parameters are characterized but not tested.

- Note 1:** As a transmitter, the device must provide this internal minimum delay time to bridge the undefined region (min. 300 ns) of the falling edge of SCL to avoid unintended generation of Start or Stop conditions.
- 2:** A Fast mode (400 kHz) I<sup>2</sup>C bus device can be used in a Standard mode (100 kHz) I<sup>2</sup>C bus system, but the requirement T<sub>SU:DAT</sub> ≥ 250 ns must then be met. This will automatically be the case if the device does not stretch the low period of the SCL signal. If such a device does stretch the low period of the SCL signal, it must output the next data bit to the SDA line T<sub>R</sub> max. + T<sub>SU:DAT</sub> = 1000 + 250 = 1250 ns (according to the Standard mode I<sup>2</sup>C bus specification), before the SCL line is released.

# PIC16(L)F18313/18323

---

## 36.0 DC AND AC CHARACTERISTICS GRAPHS AND CHARTS

The graphs and tables provided in this section are for **design guidance** and are **not tested**.

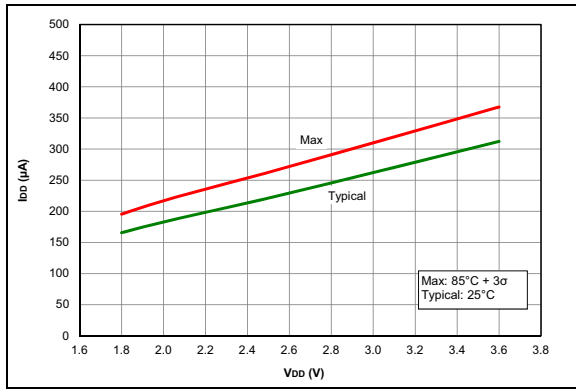
In some graphs or tables, the data presented are **outside specified operating range** (i.e., outside specified  $V_{DD}$  range). This is for **information only** and devices are ensured to operate properly only within the specified range.

Unless otherwise noted, all graphs apply to both the L and LF devices.

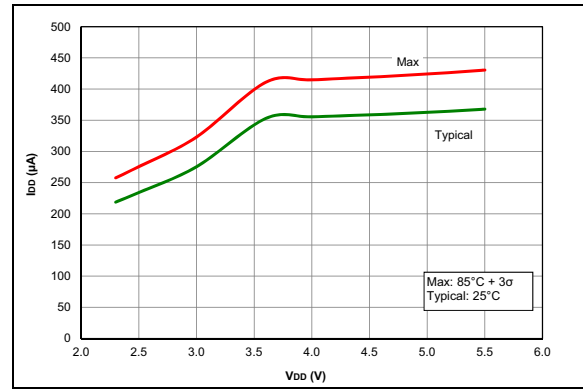
<p><b>Note:</b> The graphs and tables provided following this note are a statistical summary based on a limited number of samples and are provided for informational purposes only. The performance characteristics listed herein are not tested or guaranteed. In some graphs or tables, the data presented may be outside the specified operating range (e.g., outside specified power supply range) and therefore, outside the warranted range.</p>
--------------------------------------------------------------------------------------------------------------------------------------------------------------------------------------------------------------------------------------------------------------------------------------------------------------------------------------------------------------------------------------------------------------------------------------------------------

**“Typical”** represents the mean of the distribution at 25°C. **“Maximum”, “Max.”, “Minimum” or “Min.”** represents  $(\text{mean} + 3\sigma)$  or  $(\text{mean} - 3\sigma)$  respectively, where  $\sigma$  is a standard deviation, over each temperature range.

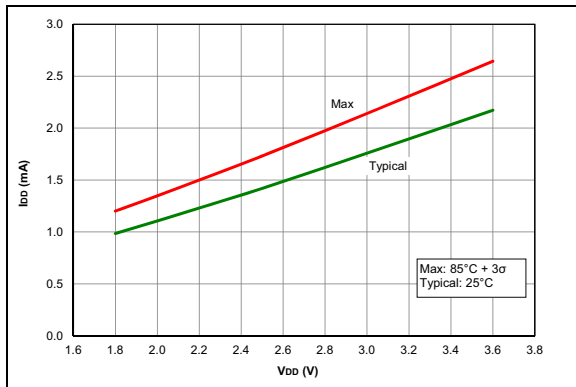
# PIC16(L)F18313/18323



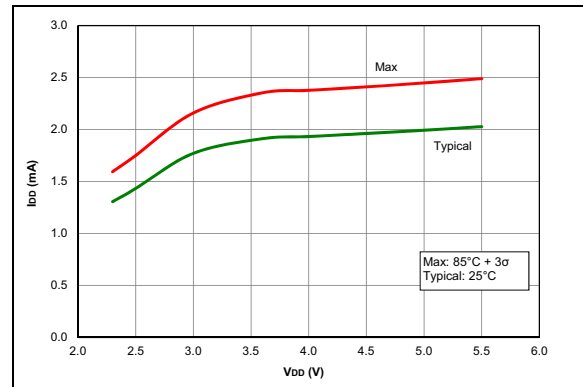
**FIGURE 36-1:**  $I_{DD}$ , XT Oscillator, 4 MHz, PIC16LF18313/18323 Only



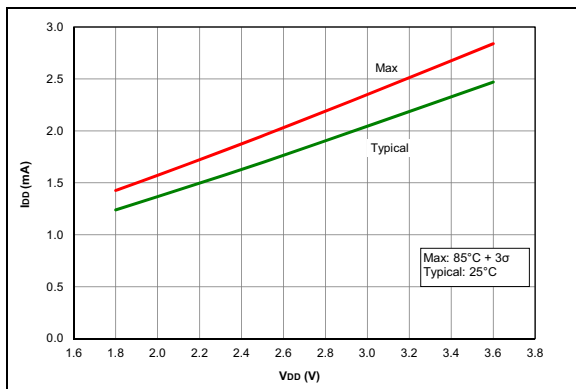
**FIGURE 36-2:**  $I_{DD}$ , XT Oscillator, 4 MHz, PIC16F18313/18323 Only



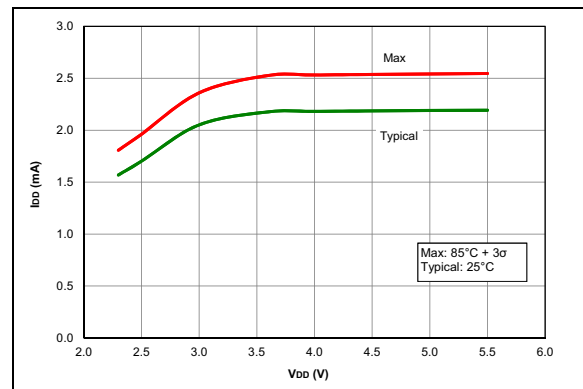
**FIGURE 36-3:**  $I_{DD}$ , HS Oscillator, 32 MHz, PIC16LF18313/18323 Only



**FIGURE 36-4:**  $I_{DD}$ , HS Oscillator, 32 MHz, PIC16F18313/18323 Only

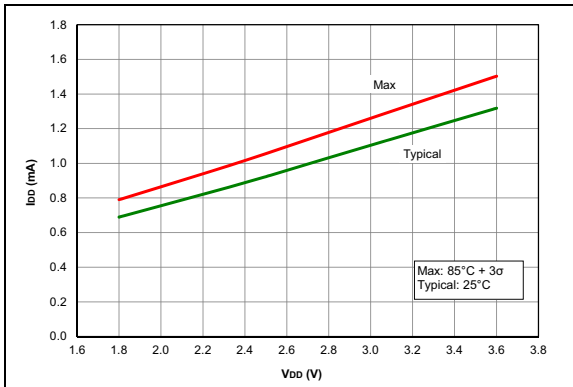


**FIGURE 36-5:**  $I_{DD}$ , HFINTOSC Mode, FOSC = 32 MHz, PIC16LF18313/18323 Only

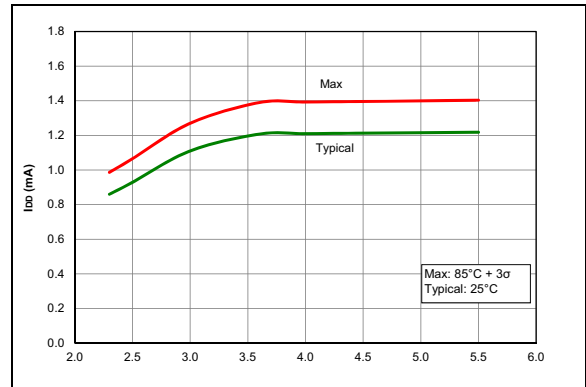


**FIGURE 36-6:**  $I_{DD}$ , HFINTOSC Mode, FOSC = 32 MHz, PIC16F18313/18323 Only

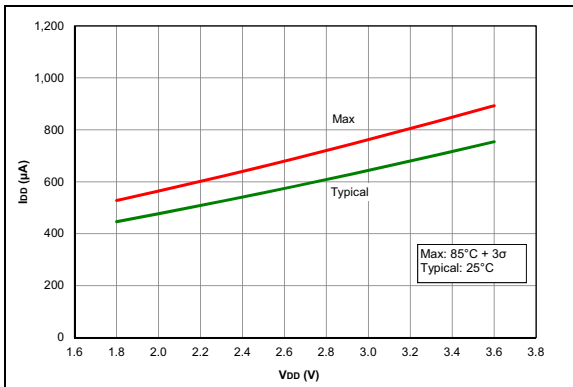
# PIC16(L)F18313/18323



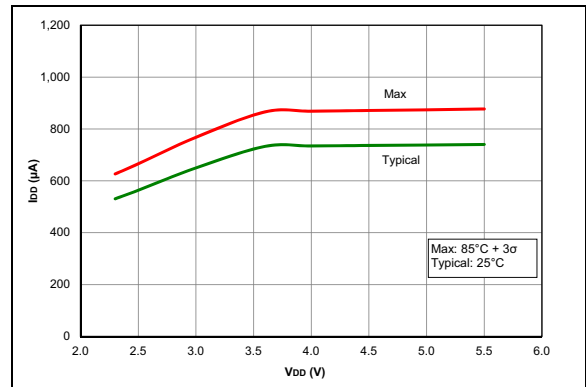
**FIGURE 36-7:**  $I_{DD}$ , HFINTOSC Mode,  $F_{OSC} = 16$  MHz, PIC16LF18313/18323 Only



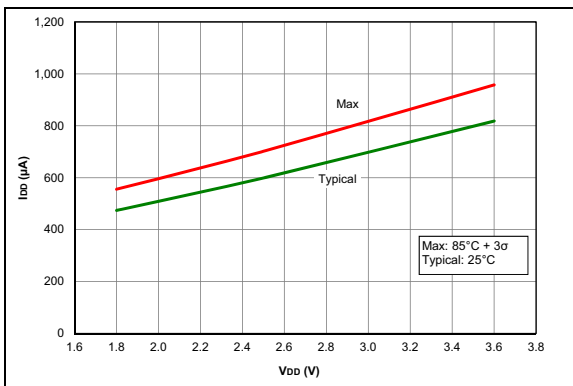
**FIGURE 36-8:**  $I_{DD}$ , HFINTOSC Mode,  $F_{OSC} = 16$  MHz, PIC16F18313/18323 Only



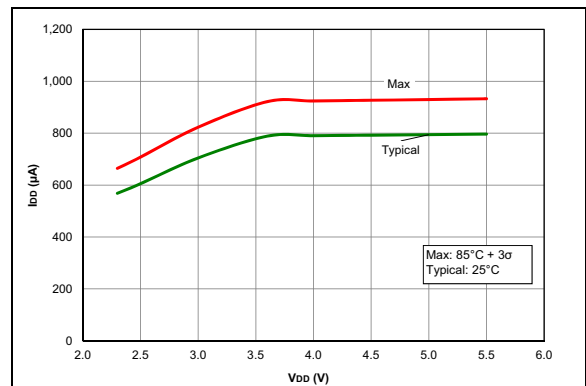
**FIGURE 36-9:**  $I_{DD}$ , HFINTOSC IDLE Mode,  $F_{OSC} = 16$  MHz, PIC16LF18313/18323 Only



**FIGURE 36-10:**  $I_{DD}$ , HFINTOSC IDLE Mode,  $F_{OSC} = 16$  MHz, PIC16F18313/18323 Only

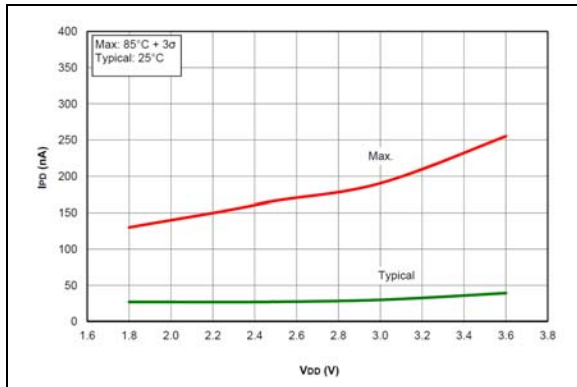


**FIGURE 36-11:**  $I_{DD}$ , HFINTOSC DOZE Mode,  $F_{OSC} = 16$  MHz, PIC16LF18313/18323 Only

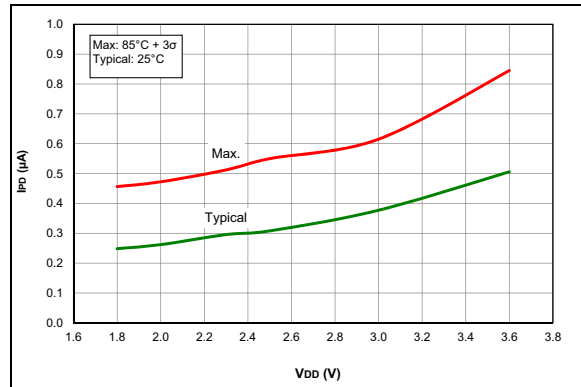


**FIGURE 36-12:**  $I_{DD}$ , HFINTOSC DOZE Mode,  $F_{OSC} = 16$  MHz, PIC16F18313/18323 Only

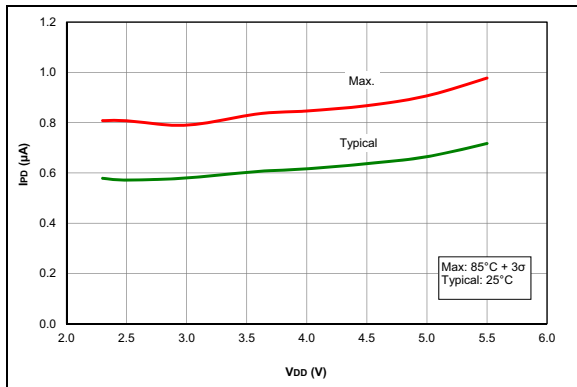
# PIC16(L)F18313/18323



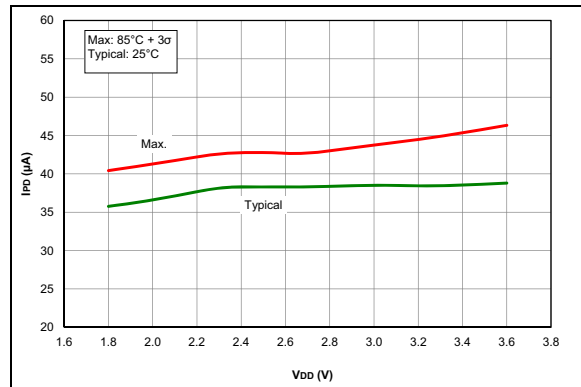
**FIGURE 36-13:** *IPD BASE, Low-Power Sleep Mode, PIC16LF18313/18323 Only*



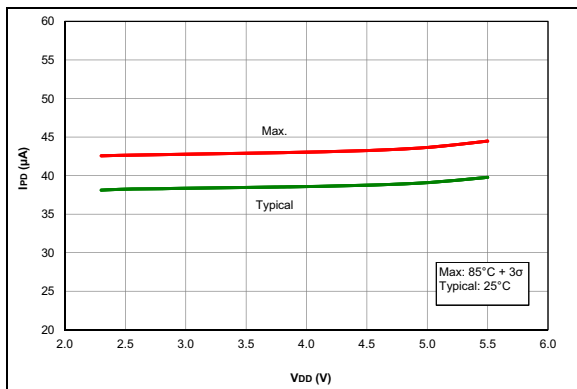
**FIGURE 36-14:** *IPD, Watchdog Timer (WDT), PIC16LF18313/18323 Only*



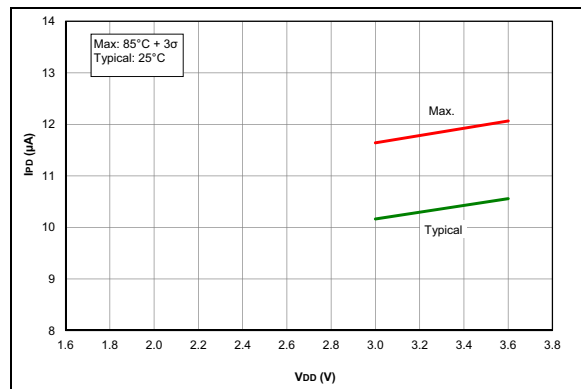
**FIGURE 36-15:** *IPD, Watchdog Timer (WDT), PIC16F18313/18323 Only*



**FIGURE 36-16:** *IPD, Fixed Voltage Reference (FVR), PIC16LF18313/18323 Only*

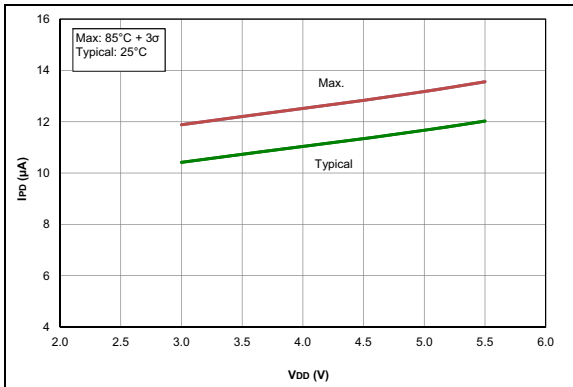


**FIGURE 36-17:** *IPD, Fixed Voltage Reference (FVR), PIC16F18313/18323 Only*

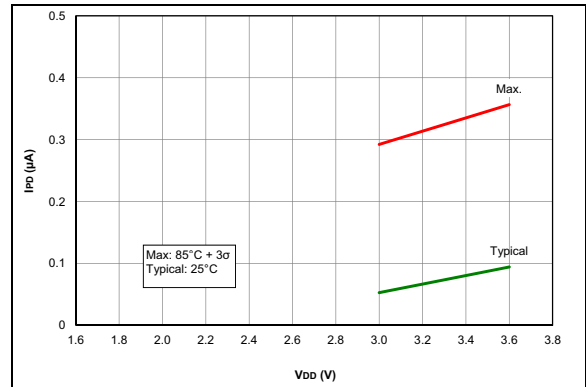


**FIGURE 36-18:** *IPD, Brown-out Reset (BOR), BORV = 1, PIC16LF18313/18323 Only*

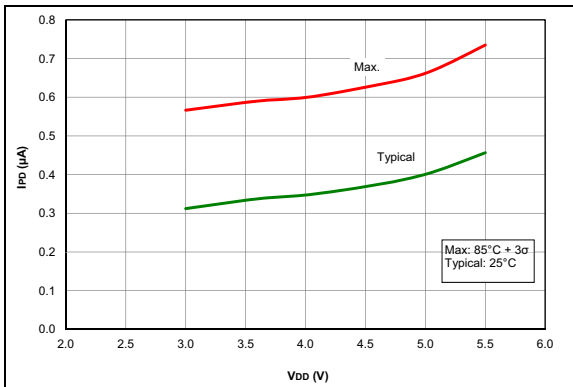
# PIC16(L)F18313/18323



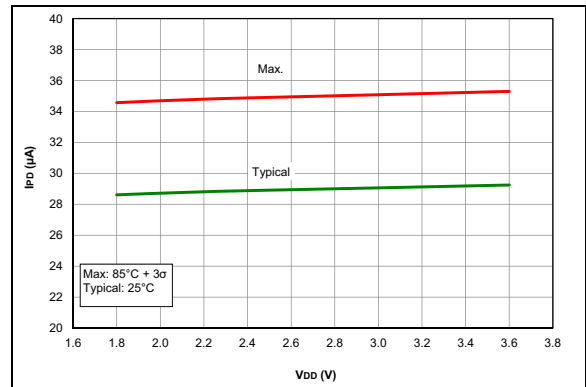
**FIGURE 36-19:** *IPD, Brown-out Reset (BOR), BORV = 1, PIC16F18313/18323 Only*



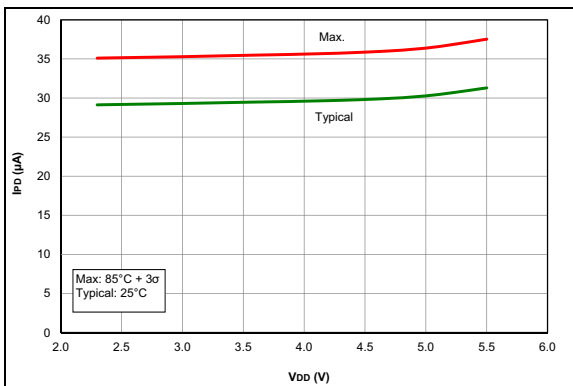
**FIGURE 36-20:** *IPD, Low-Power Brown-out Reset (LPBOR = 0), PIC16LF18313/18323 Only*



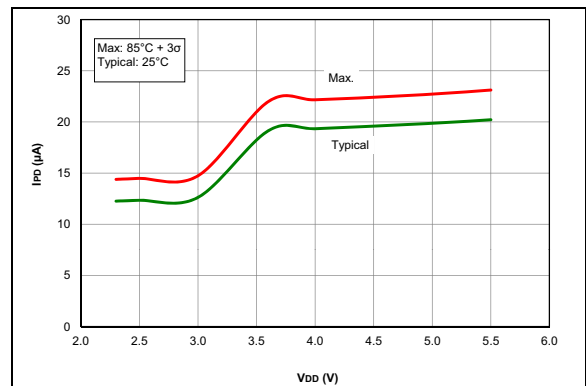
**FIGURE 36-21:** *IPD, Low-Power Brown-out Reset (LPBOR = 0), PIC16F18313/18323 Only*



**FIGURE 36-22:** *IPD, Comparator, PIC16LF18313/18323 Only*



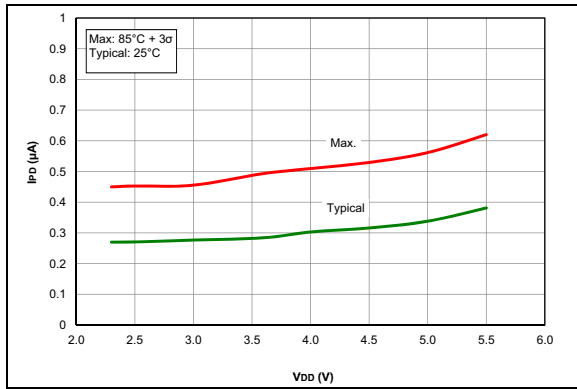
**FIGURE 36-23:** *IPD, Comparator, PIC16F18313/18323 Only*



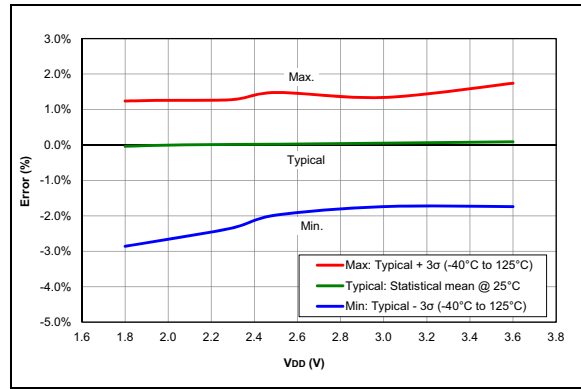
**FIGURE 36-24:** *IPD BASE, 01, PIC16F18313/18323 Only*



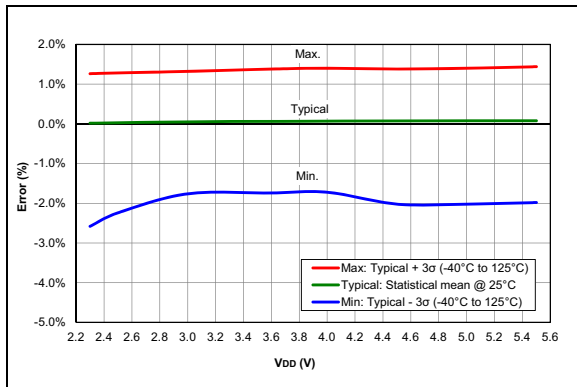
# PIC16(L)F18313/18323



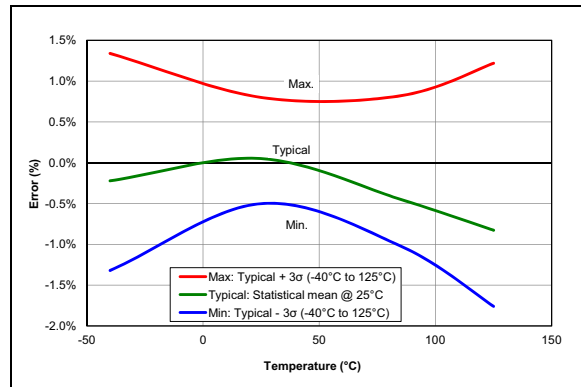
**FIGURE 36-25:** IPD BASE, 11, PIC16F18313/18323 Only



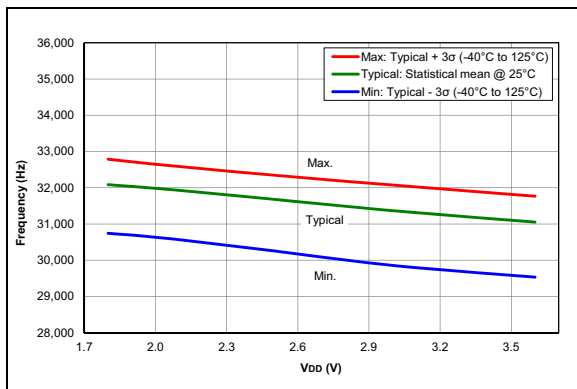
**FIGURE 36-26:** HFINTOSC Typical Frequency Error, PIC16LF18313/18323 Only



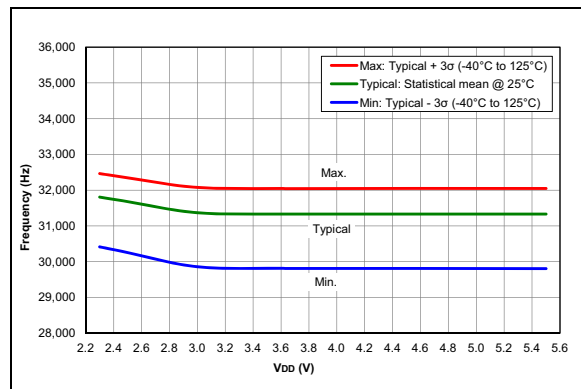
**FIGURE 36-27:** HFINTOSC Typical Frequency Error, PIC16F18313/18323 Only



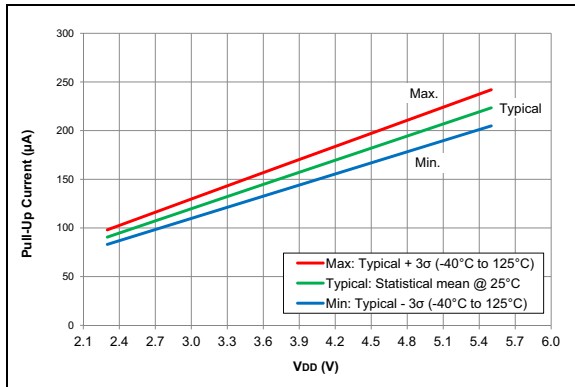
**FIGURE 36-28:** HFINTOSC Frequency Error VDD = 3V, All devices



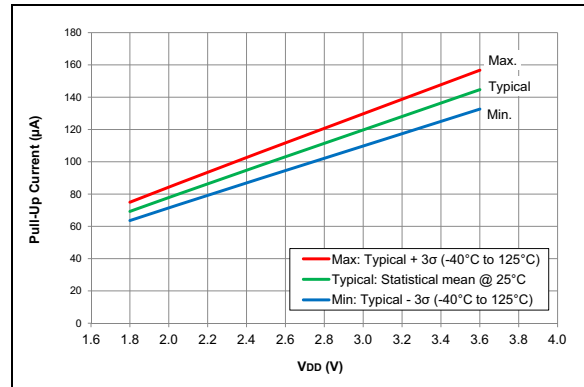
**FIGURE 36-29:** LFINTOSC Frequency, PIC16LF18313/18323 Only



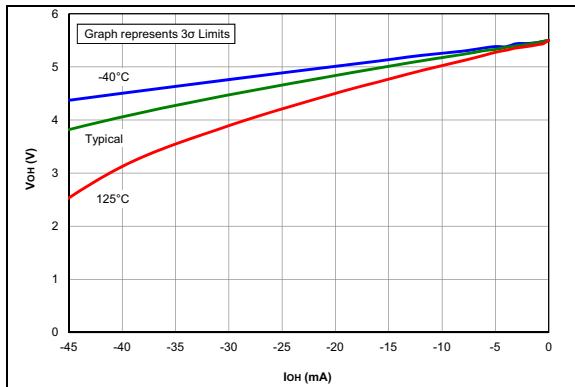
**FIGURE 36-30:** LFINTOSC Frequency, PIC16F18313/18323 Only



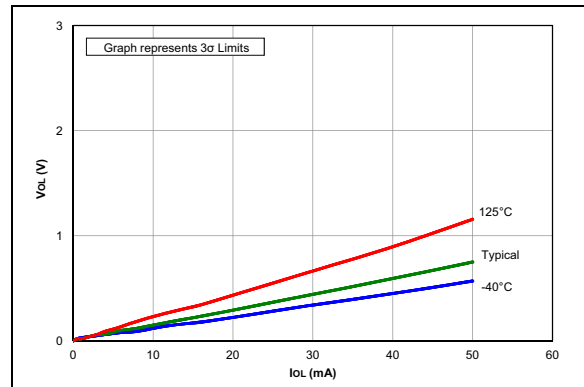
**FIGURE 36-31:** Weak Pull-Up Current, PIC16F18313/18323 Only



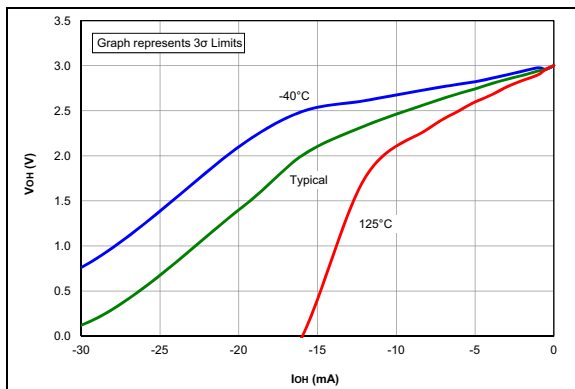
**FIGURE 36-32:** Weak Pull-Up Current, PIC16LF18313/18323 Only



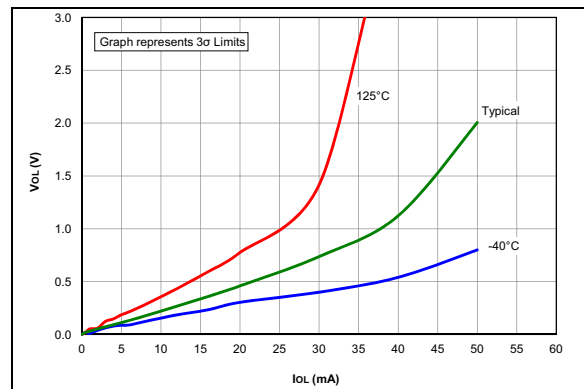
**FIGURE 36-33:**  $V_{OH}$  vs.  $I_{OH}$  Over Temperature,  $V_{DD} = 5.5V$ , PIC16F18313/18323 Only



**FIGURE 36-34:**  $V_{OL}$  vs.  $I_{OL}$  Over Temperature,  $V_{DD} = 5.5V$ , PIC16F18313/18323 Only

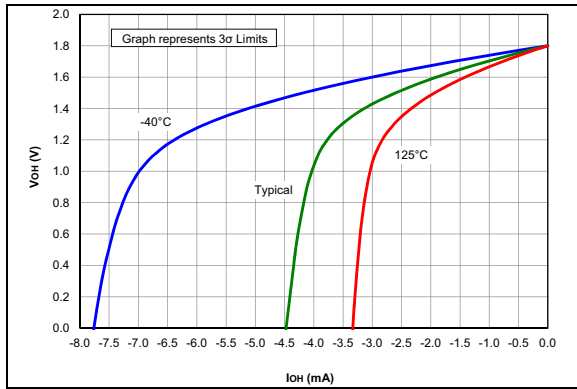


**FIGURE 36-35:**  $V_{OH}$  vs.  $I_{OH}$  Over Temperature,  $V_{DD} = 3.0V$ , All devices

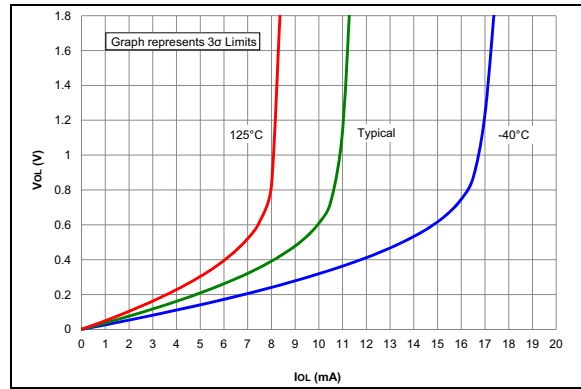


**FIGURE 36-36:**  $V_{OL}$  vs.  $I_{OL}$  Over Temperature,  $V_{DD} = 3.0V$ , All devices

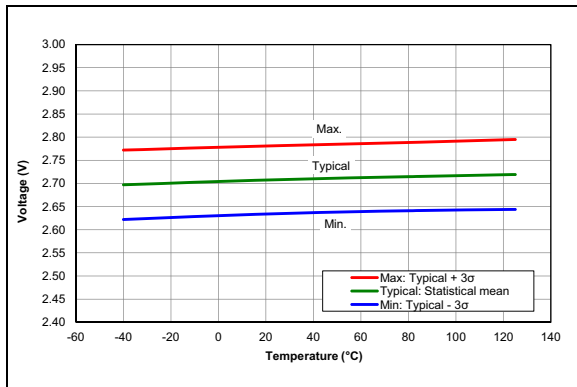
# PIC16(L)F18313/18323



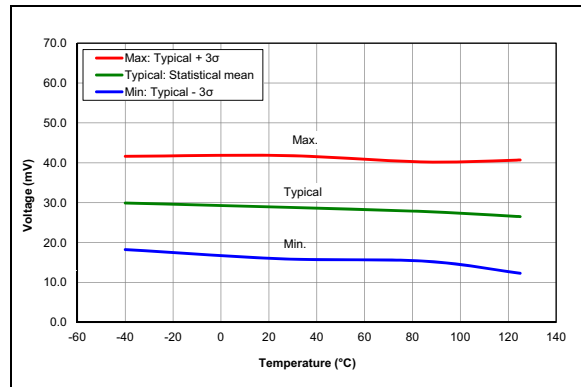
**FIGURE 36-37:**  $V_{OH}$  vs.  $I_{OH}$  Over Temperature,  $V_{DD} = 1.8V$ , PIC16LF18313/18323 Only



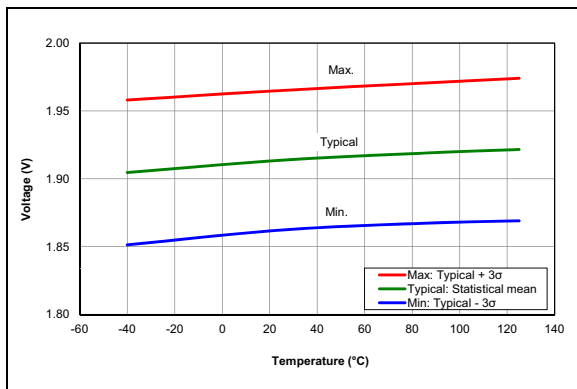
**FIGURE 36-38:**  $V_{OL}$  vs.  $I_{OL}$  Over Temperature,  $V_{DD} = 1.8V$ , PIC16LF18313/18323 Only



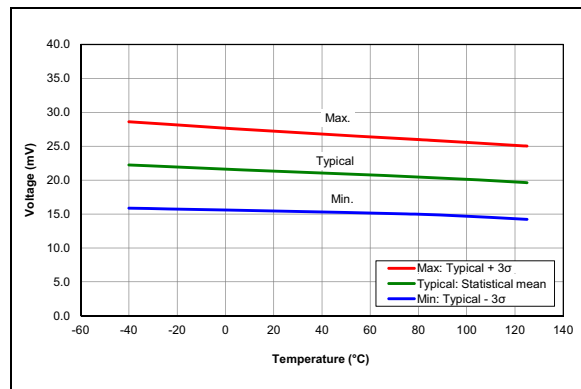
**FIGURE 36-39:** Brown-out Reset Voltage, High Trip Point, ( $BORV = 0$ ), All devices



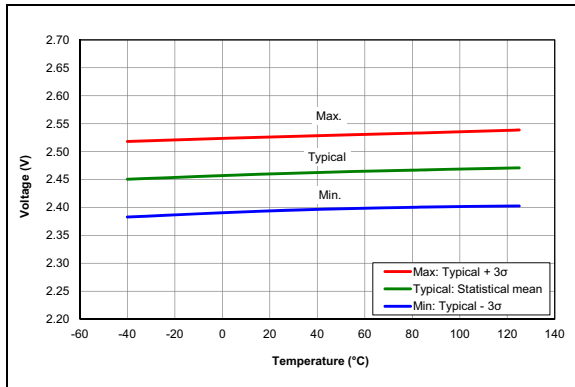
**FIGURE 36-40:** Brown-out Reset Hysteresis, Low Trip Point, ( $BORV = 0$ ), All devices



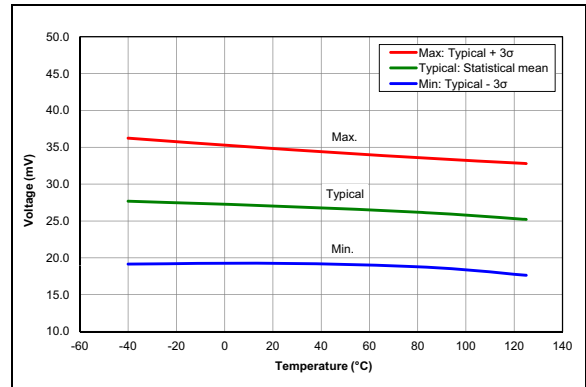
**FIGURE 36-41:** Brown-out Reset Voltage, Trip Point, ( $BORV = 1$ ), PIC16LF18313/18323 Only



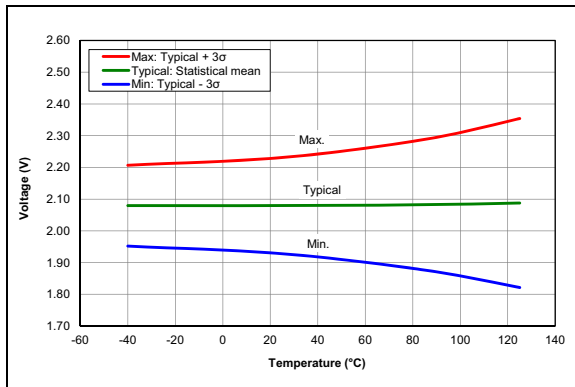
**FIGURE 36-42:** Brown-out Reset Hysteresis, Trip Point, ( $BORV = 1$ ), PIC16LF18313/18323 Only



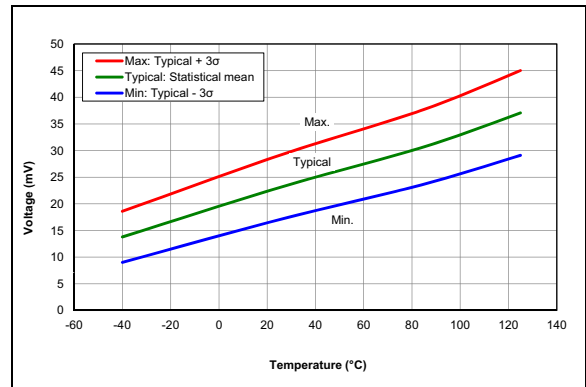
**FIGURE 36-43:** Brown-out Reset Voltage, Trip Point, (BORV = 1), PIC16F18313/18323 Only



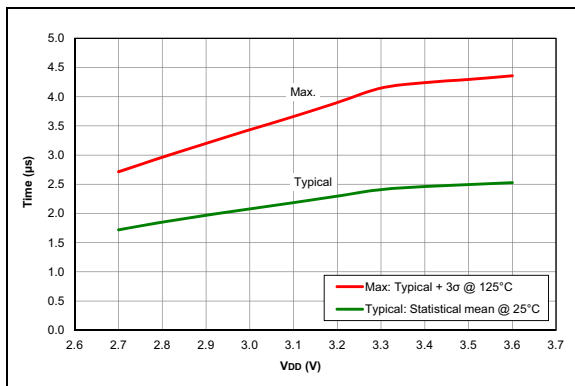
**FIGURE 36-44:** Brown-out Reset Hysteresis, Trip Point, (BORV = 1), PIC16F18313/18323 Only



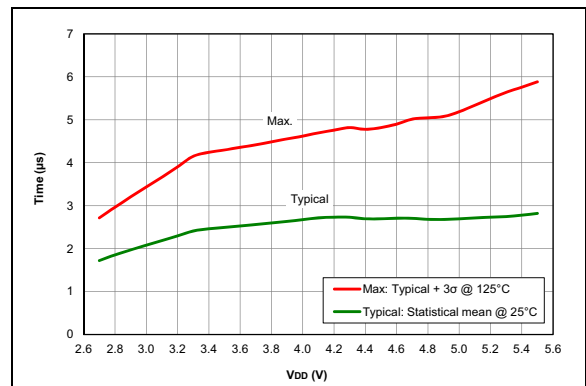
**FIGURE 36-45:** LPBOR Reset Voltage, PIC16LF18313/18323 Only



**FIGURE 36-46:** LPBOR Reset Hysteresis, PIC16LF18313/18323 Only

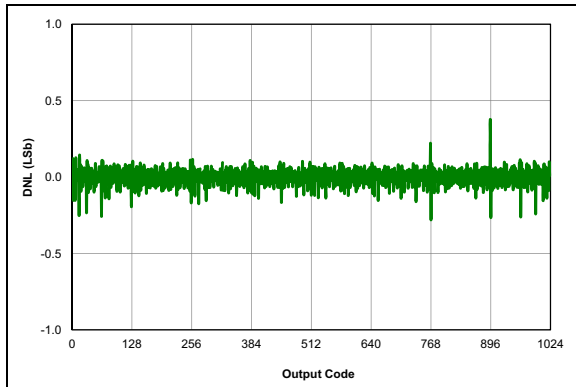


**FIGURE 36-47:** BOR Response Time, PIC16LF18313/18323 Only

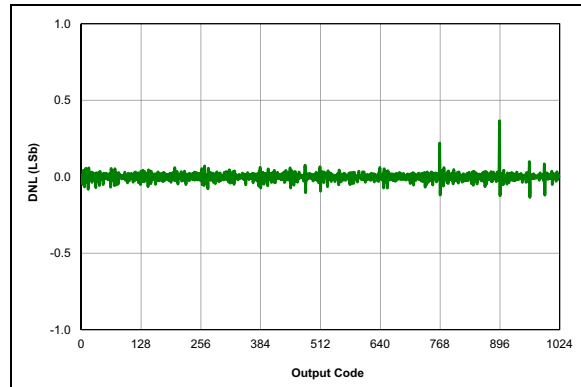


**FIGURE 36-48:** BOR Response Time, PIC16F18313/18323 Only

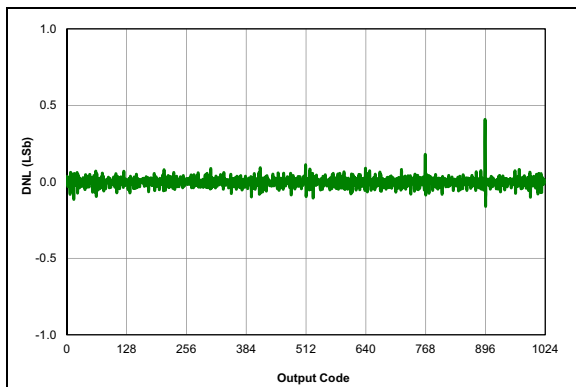
# PIC16(L)F18313/18323



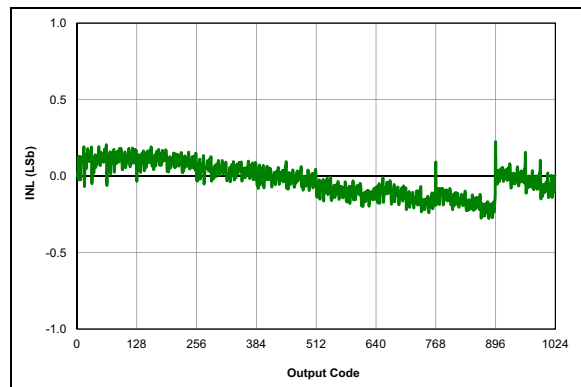
**FIGURE 36-49:** ADC 10-Bit Mode, Single-Ended DNL,  $V_{DD} = 3.0V$ ,  $V_{REF} = 3.0V$ ,  $T_{AD} = 1 \mu s$ ,  $25^{\circ}C$ , All devices



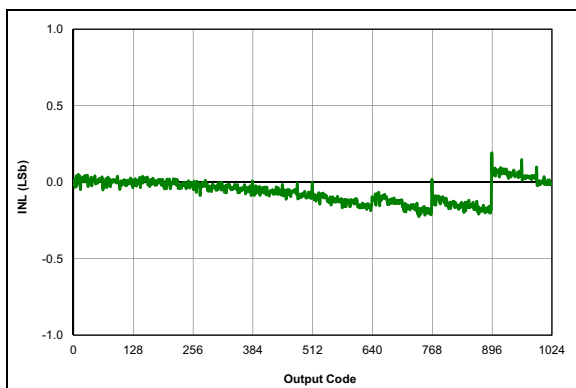
**FIGURE 36-50:** ADC 10-Bit Mode, Single-Ended DNL,  $V_{DD} = 3.0V$ ,  $V_{REF} = 3.0V$ ,  $T_{AD} = 4 \mu s$ ,  $25^{\circ}C$ , All devices



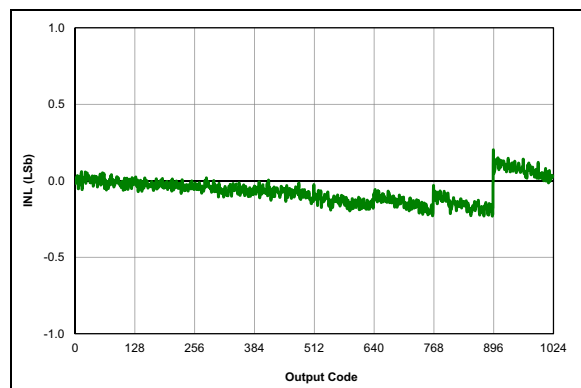
**FIGURE 36-51:** ADC 10-Bit Mode, Single-Ended DNL,  $V_{DD} = 3.0V$ ,  $V_{REF} = 3.0V$ ,  $T_{AD} = 8 \mu s$ ,  $25^{\circ}C$ , All devices



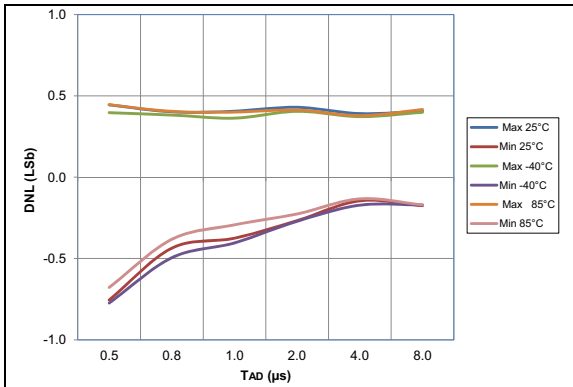
**FIGURE 36-52:** ADC 10-Bit Mode, Single-Ended INL,  $V_{DD} = 3.0V$ ,  $V_{REF} = 3.0V$ ,  $T_{AD} = 1 \mu s$ ,  $25^{\circ}C$ , All devices



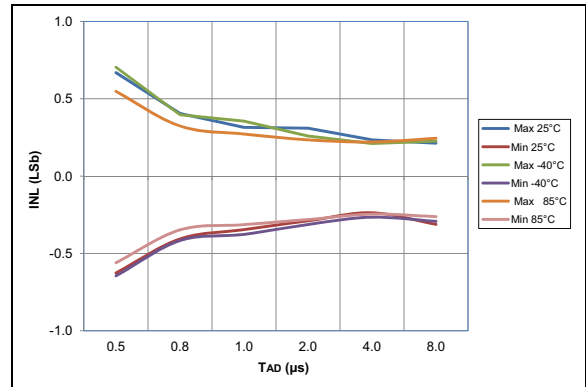
**FIGURE 36-53:** ADC 10-Bit Mode, Single-Ended INL,  $V_{DD} = 3.0V$ ,  $V_{REF} = 3.0V$ ,  $T_{AD} = 4 \mu s$ ,  $25^{\circ}C$ , All devices



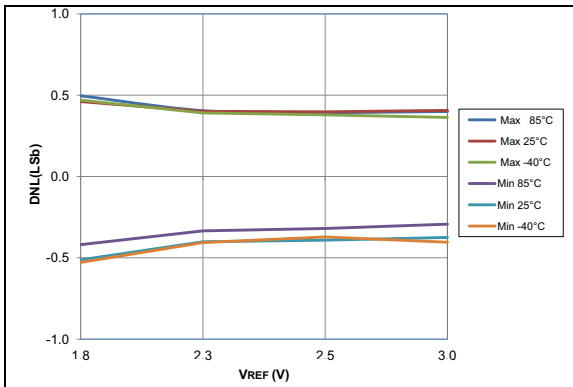
**FIGURE 36-54:** ADC 10-Bit Mode, Single-Ended INL,  $V_{DD} = 3.0V$ ,  $V_{REF} = 3.0V$ ,  $T_{AD} = 8 \mu s$ ,  $25^{\circ}C$ , All devices



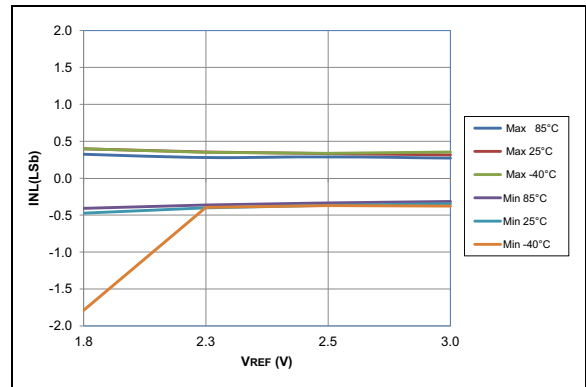
**FIGURE 36-55:** ADC 10-Bit Mode, Single-Ended DNL,  $V_{DD} = 3.0V$ ,  $V_{REF} = 3.0V$ , All devices



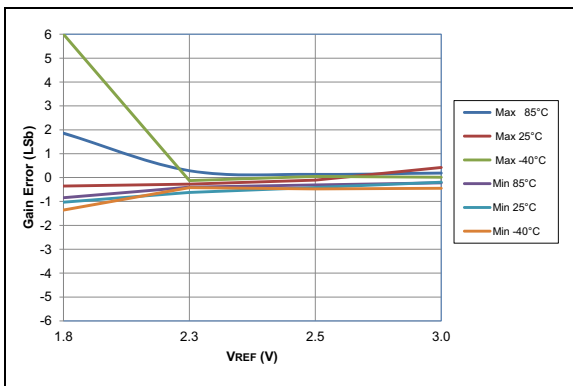
**FIGURE 36-56:** ADC 10-Bit Mode, Single-Ended INL,  $V_{DD} = 3.0V$ ,  $V_{REF} = 3.0V$ , All devices



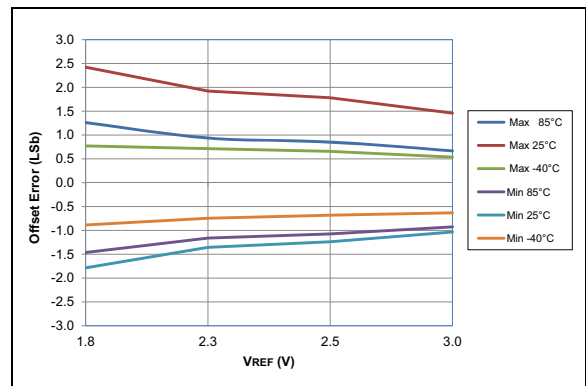
**FIGURE 36-57:** ADC 10-Bit Mode, Single-Ended DNL,  $V_{DD} = 3.0V$ ,  $T_{AD} = 1 \mu s$ , All devices



**FIGURE 36-58:** ADC 10-Bit Mode, Single-Ended INL,  $V_{DD} = 3.0V$ ,  $T_{AD} = 1 \mu s$ , All devices

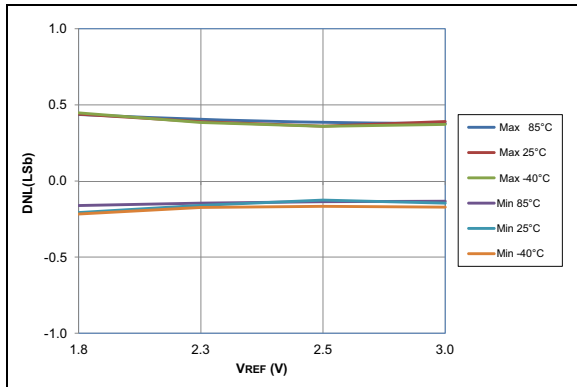


**FIGURE 36-59:** ADC 10-Bit Mode, Single-Ended Gain Error,  $V_{DD} = 3.0V$ ,  $T_{AD} = 1 \mu s$ , All devices

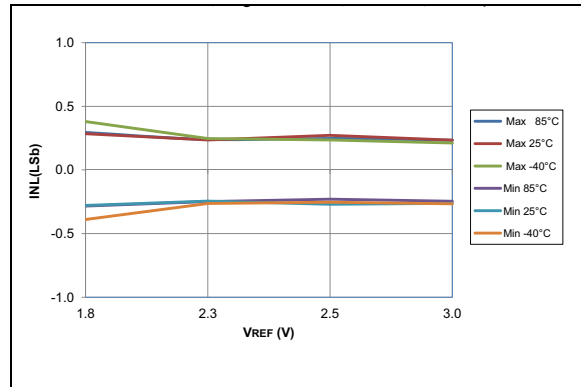


**FIGURE 36-60:** ADC 10-Bit Mode, Single-Ended Offset Error,  $V_{DD} = 3.0V$ ,  $T_{AD} = 1 \mu s$ , All devices

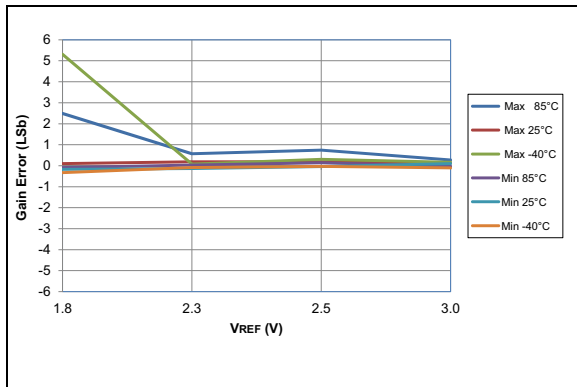
# PIC16(L)F18313/18323



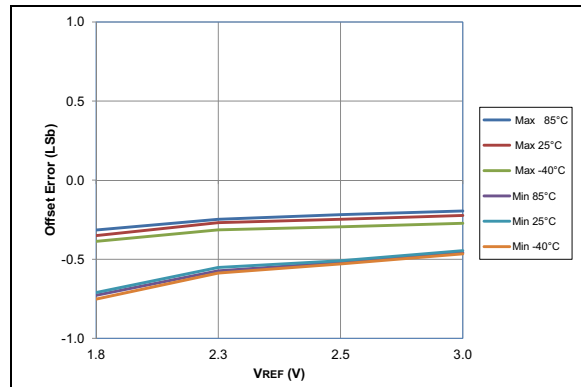
**FIGURE 36-61:** ADC 10-Bit Mode, Single-Ended DNL,  $V_{DD} = 3.0V$ ,  $T_{AD} = 4 \mu s$ , All devices



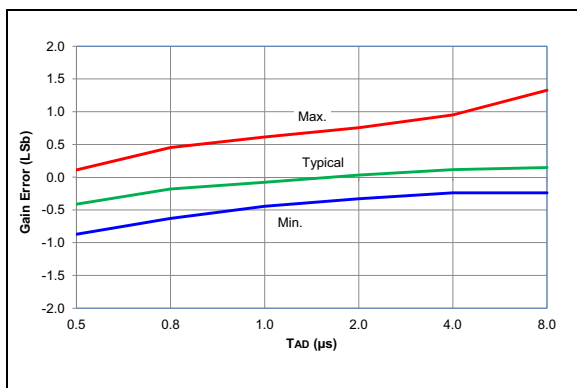
**FIGURE 36-62:** ADC 10-Bit Mode, Single-Ended INL,  $V_{DD} = 3.0V$ ,  $T_{AD} = 4 \mu s$ , All devices



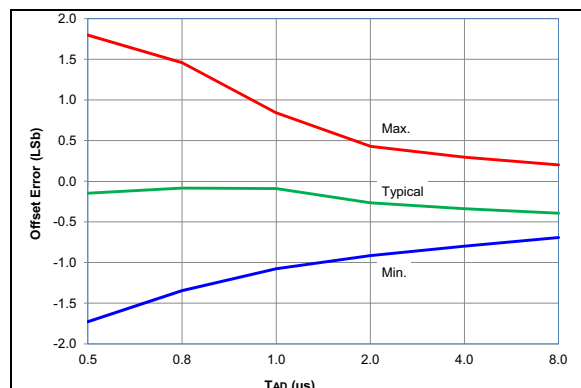
**FIGURE 36-63:** ADC 10-Bit Mode, Single-Ended Gain Error,  $V_{DD} = 3.0V$ ,  $T_{AD} = 4 \mu s$ , All devices



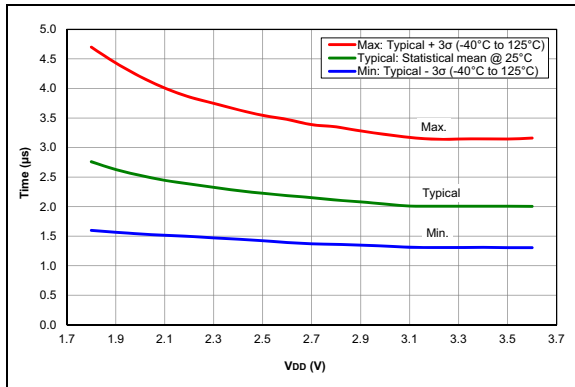
**FIGURE 36-64:** ADC 10-Bit Mode, Single-Ended Offset Error,  $V_{DD} = 3.0V$ ,  $T_{AD} = 4 \mu s$ , All devices



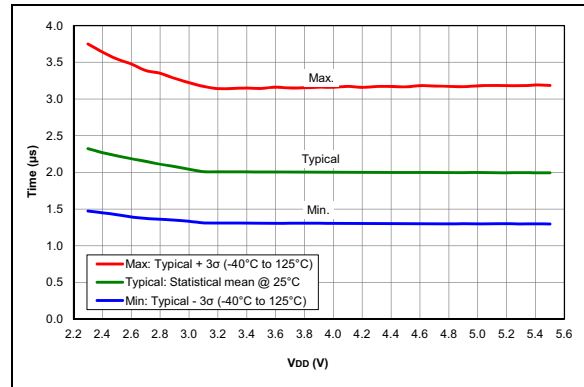
**FIGURE 36-65:** ADC 10-Bit Mode, Single-Ended Gain Error,  $V_{DD} = 3.0V$ ,  $V_{REF} = 3.0V$ ,  $-40^{\circ}C$  to  $85^{\circ}C$ , All devices



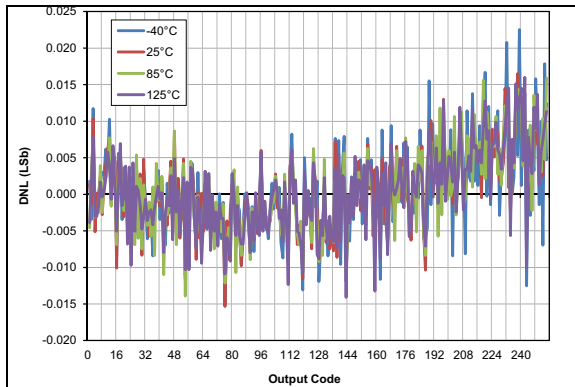
**FIGURE 36-66:** ADC 10-Bit Mode, Single-Ended Offset Error,  $V_{DD} = 3.0V$ ,  $V_{REF} = 3.0V$ ,  $-40^{\circ}C$  to  $85^{\circ}C$ , All devices



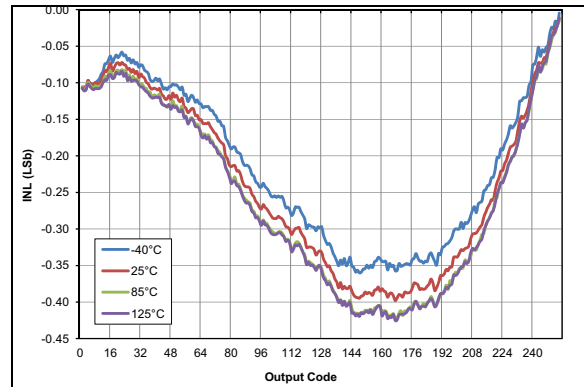
**FIGURE 36-67:** ADC RC Oscillator period, PIC16LF18313/18323 Only



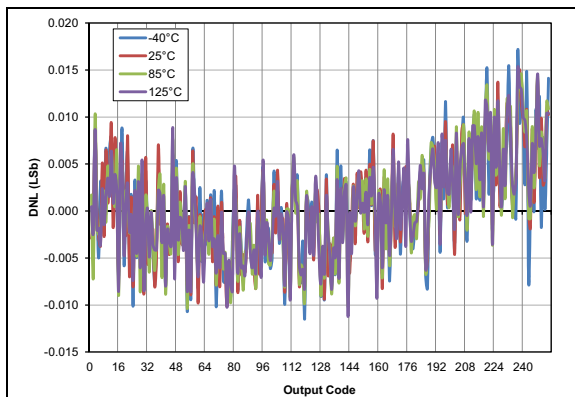
**FIGURE 36-68:** ADC RC Oscillator period, PIC16F18313/18323 Only



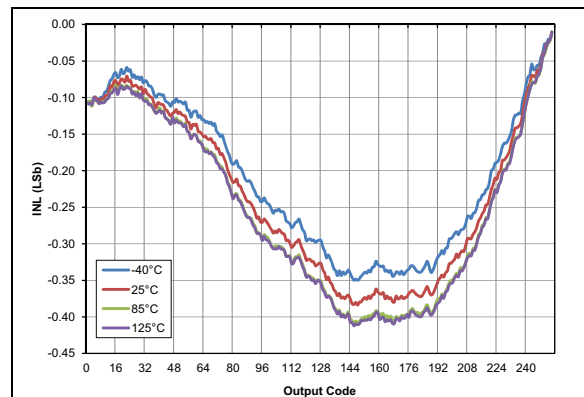
**FIGURE 36-69:** Typical DAC DNL Error, VDD = 3.0V, VREF = External 3V, All devices



**FIGURE 36-70:** Typical DAC INL Error, VDD = 3.0V, VREF = External 3V, All devices



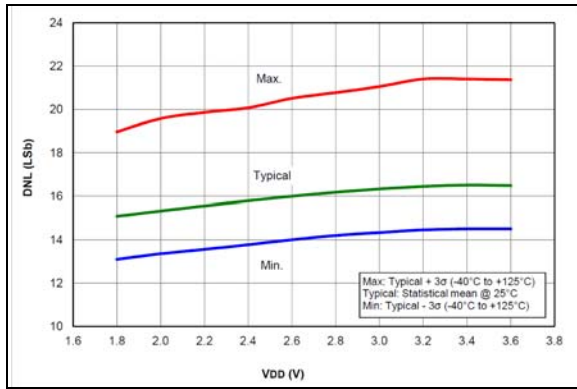
**FIGURE 36-71:** Typical DAC DNL Error, VDD = 5.0V, VREF = External 5V, PIC16F18313/18323 Only



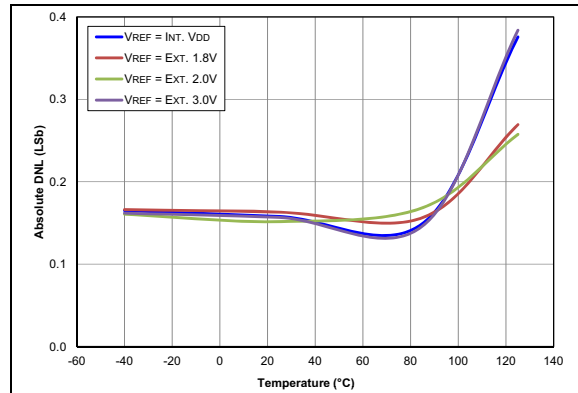
**FIGURE 36-72:** Typical DAC INL Error, VDD = 5.0V, VREF = External 5V, PIC16F18313/18323 Only



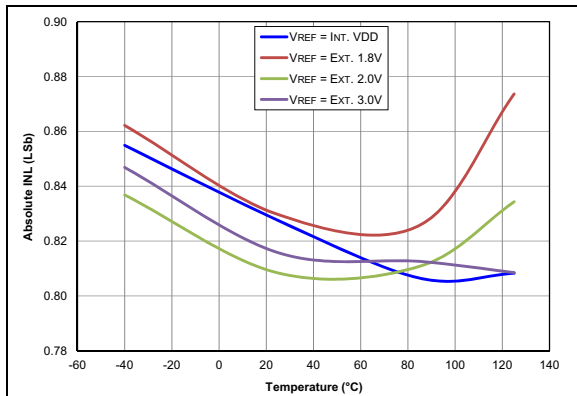
# PIC16(L)F18313/18323



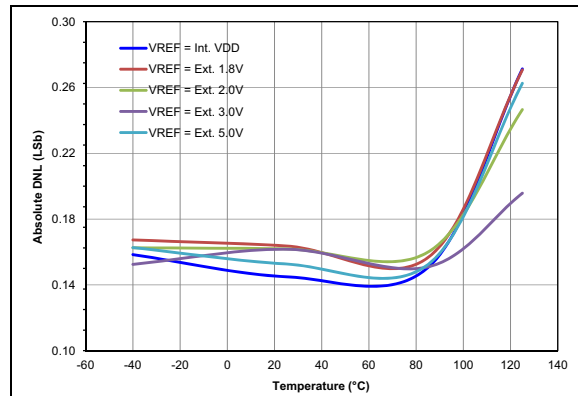
**FIGURE 36-73:** DAC INL Error,  $V_{DD} = 3.0V$ , PIC16LF18313/18323 Only



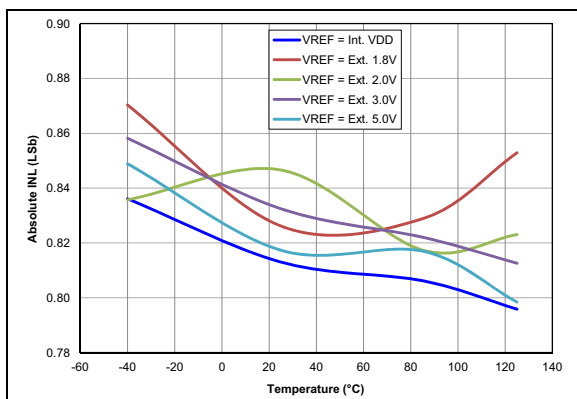
**FIGURE 36-74:** Absolute Value of DAC DNL Error,  $V_{DD} = 3.0V$ ,  $V_{REF} = V_{DD}$ , All devices



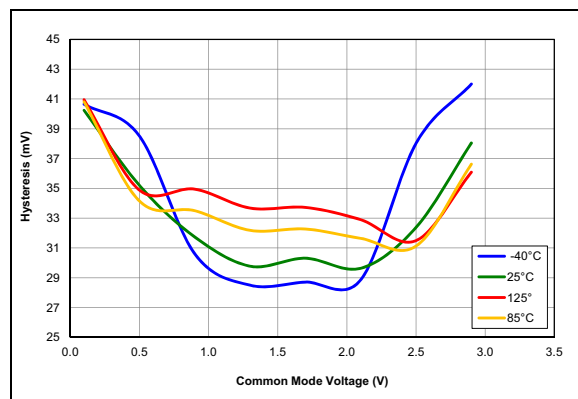
**FIGURE 36-75:** Absolute Value of DAC INL Error,  $V_{DD} = 3.0V$ ,  $V_{REF} = V_{DD}$ , All devices



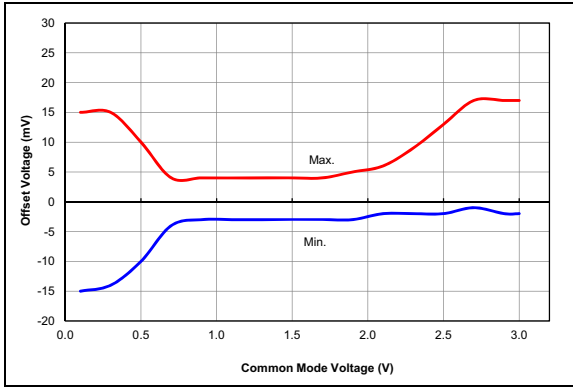
**FIGURE 36-76:** Absolute Value of DAC DNL Error,  $V_{DD} = 5.0V$ ,  $V_{REF} = V_{DD}$ , PIC16F18313/18323 Only



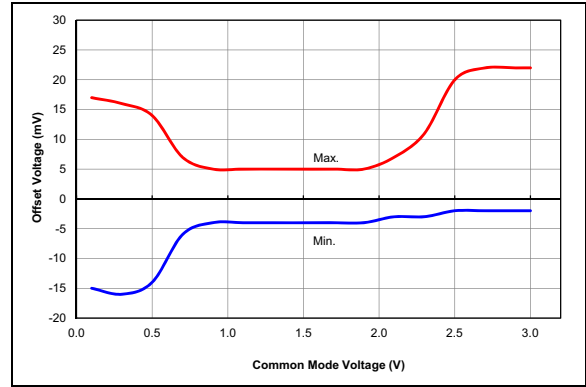
**FIGURE 36-77:** Absolute Value of DAC INL Error,  $V_{DD} = 5.0V$ ,  $V_{REF} = V_{DD}$ , PIC16F18313/18323 Only



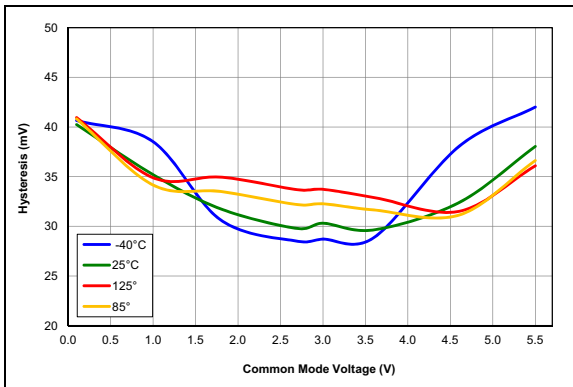
**FIGURE 36-78:** Comparator Hysteresis, Normal Power Mode ( $CxSP = 1$ ),  $V_{DD} = 3.0V$ , Typical Measured Values, All devices



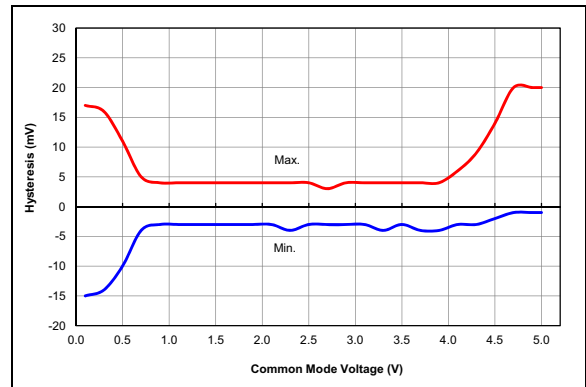
**FIGURE 36-79:** Comparator Offset, Normal Power Mode ( $CxSP = 1$ ),  $V_{DD} = 3.0V$ , Typical Measured Values at  $25^{\circ}C$ , All devices



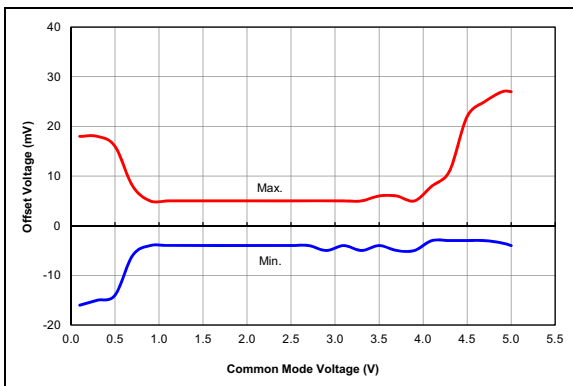
**FIGURE 36-80:** Comparator Offset, Normal Power Mode ( $CxSP = 1$ ),  $V_{DD} = 3.0V$ , Typical Measured Values from  $-40^{\circ}C$  to  $125^{\circ}C$ , All devices



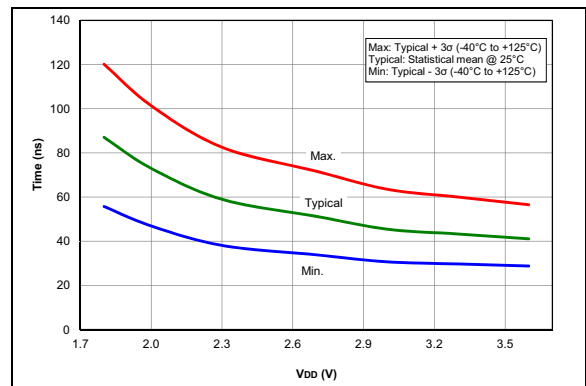
**FIGURE 36-81:** Comparator Hysteresis, Normal Power Mode ( $CxSP = 1$ ),  $V_{DD} = 5.5V$ , Typical Measured Values, PIC16F18313/18323 Only



**FIGURE 36-82:** Comparator Offset, Normal Power Mode ( $CxSP = 1$ ),  $V_{DD} = 5.0V$ , Typical Measured Values at  $25^{\circ}C$ , PIC16F18313/18323 Only

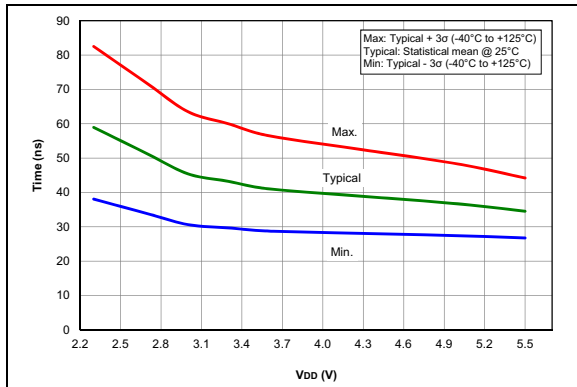


**FIGURE 36-83:** Comparator Offset, Normal Power Mode ( $CxSP = 1$ ),  $V_{DD} = 5.5V$ , Typical Measured Values from  $-40^{\circ}C$  to  $125^{\circ}C$ , PIC16F18313/18323 Only

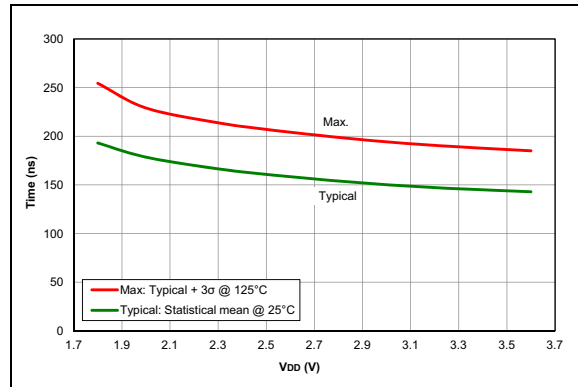


**FIGURE 36-84:** Comparator Response Time Over Voltage, Normal Power Mode ( $CxSP = 1$ ),  $V_{DD} = 5.5V$ , Typical Measured Values PIC16LF18313/18323 Only

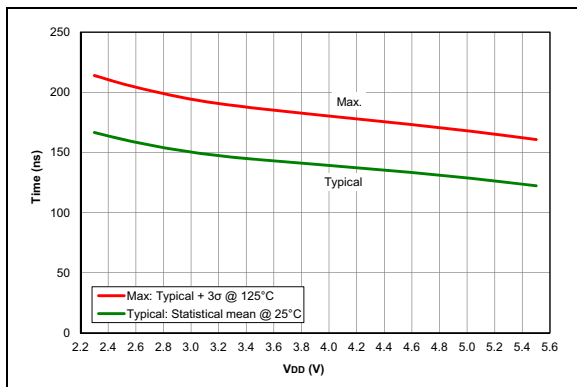
# PIC16(L)F18313/18323



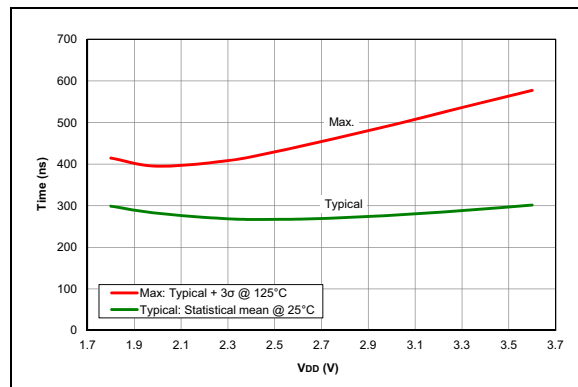
**FIGURE 36-85:** Comparator Response Time Over Voltage, Normal Power Mode ( $CxSP = 1$ ),  $V_{DD} = 5.5V$ , Typical Measured Values PIC16F18313/18323 Only



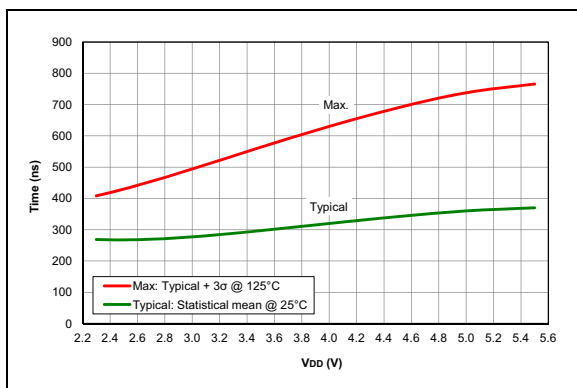
**FIGURE 36-86:** Comparator Response Time Falling edge, PIC16LF18313/18323 Only



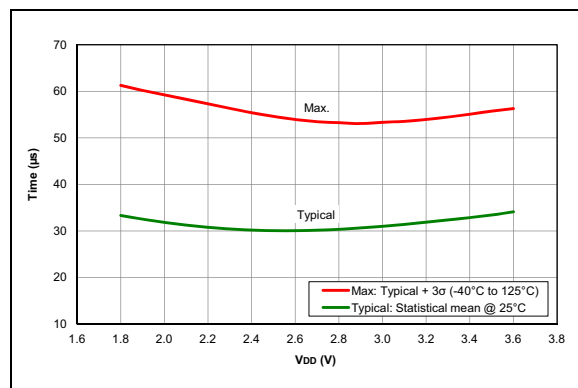
**FIGURE 36-87:** Comparator Response Time Falling edge, PIC16F18313/18323 Only



**FIGURE 36-88:** Comparator Response Time Rising edge, PIC16F18313/18323 Only

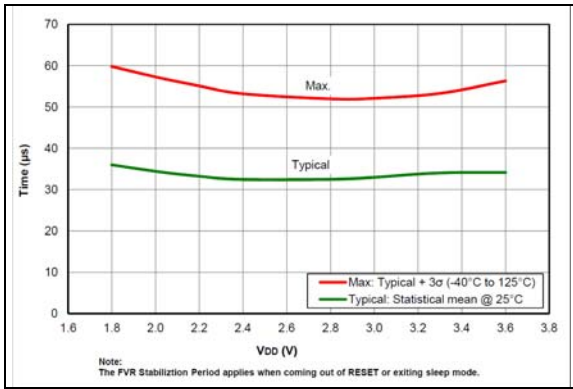


**FIGURE 36-89:** Comparator Response Time Rising edge, PIC16F18313/18323 Only

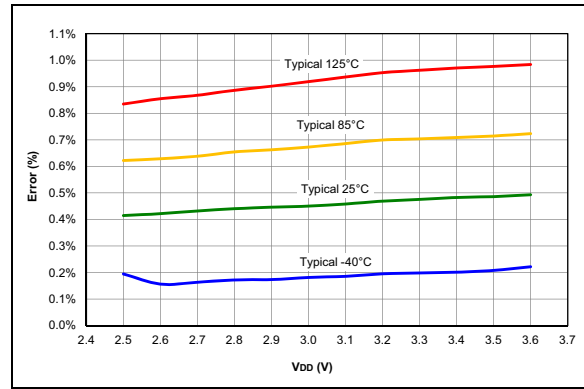


**FIGURE 36-90:** Bandgap Ready Time, PIC16LF18313/18323 Only

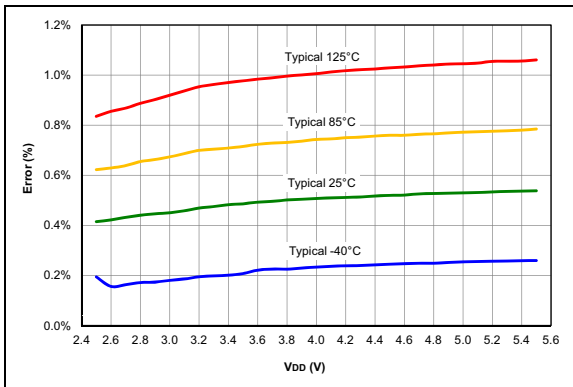
# PIC16(L)F18313/18323



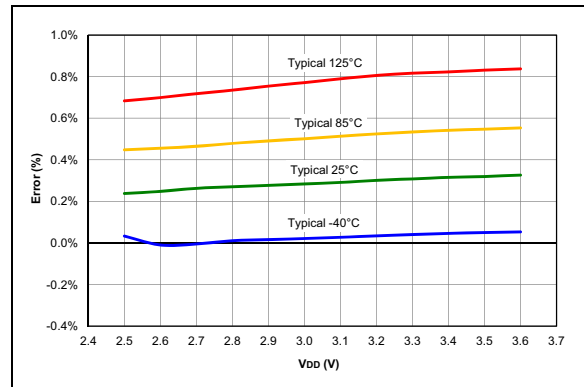
**FIGURE 36-91:** FVR Stabilization Period, PIC16LF18313/18323 Only



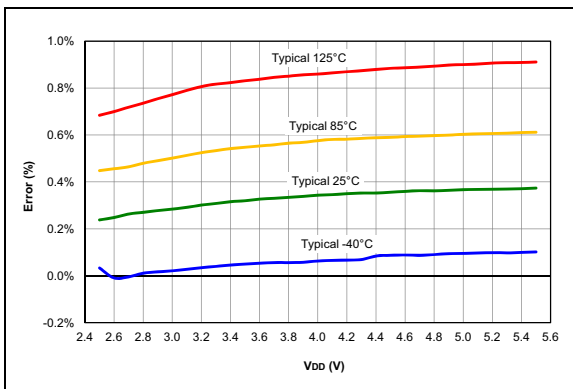
**FIGURE 36-92:** Typical FVR Voltage (1x), PIC16LF18313/18323 Only



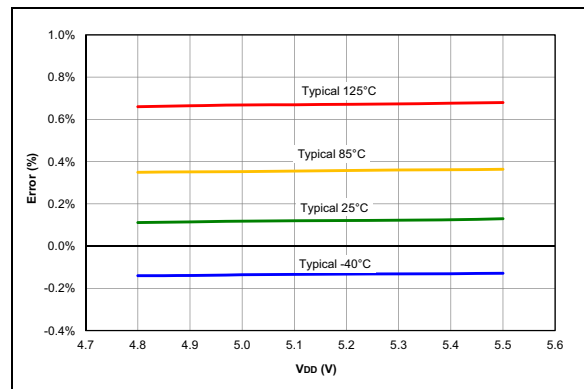
**FIGURE 36-93:** FVR Voltage Error (1x), PIC16F18313/18323 Only



**FIGURE 36-94:** FVR Voltage Error (2x), PIC16LF18313/18323 Only

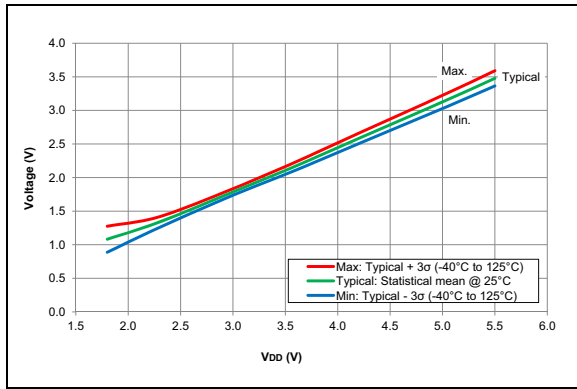


**FIGURE 36-95:** FVR Voltage Error (2x), PIC16F18313/18323 Only

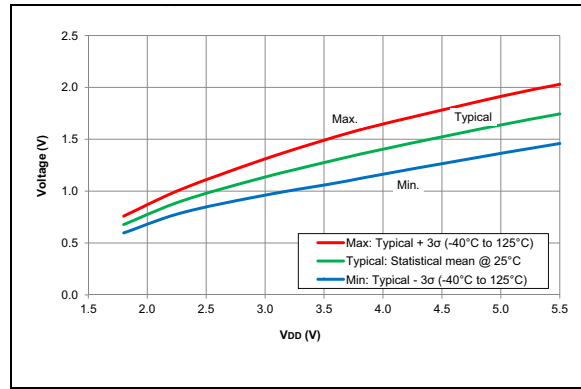


**FIGURE 36-96:** FVR Voltage Error (4x), PIC16F18313/18323 Only

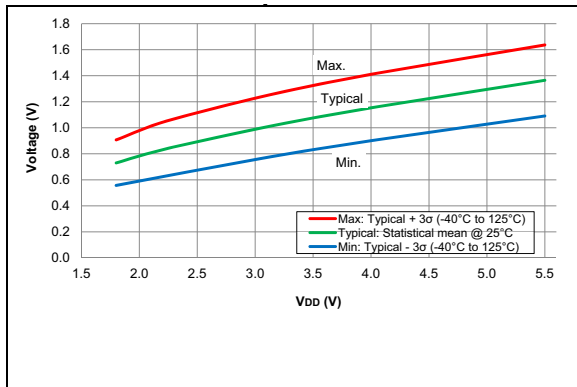
# PIC16(L)F18313/18323



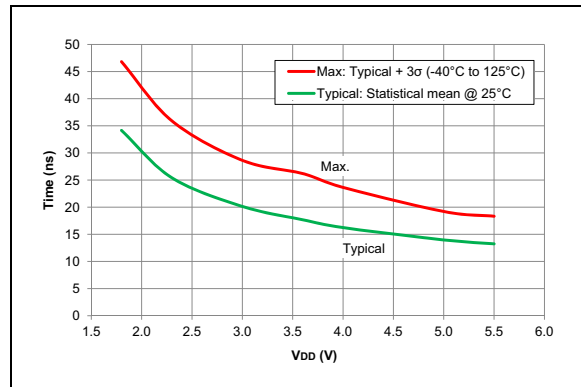
**FIGURE 36-97:** Schmitt Trigger High Values, All devices



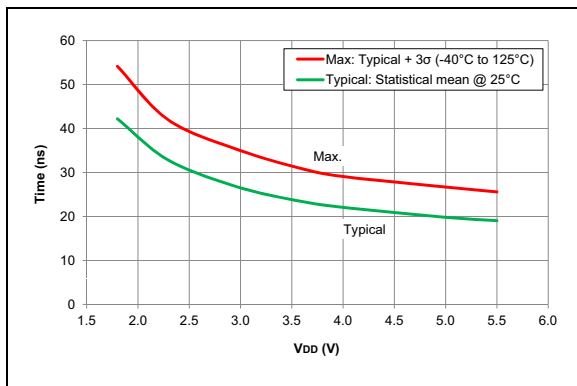
**FIGURE 36-98:** Schmitt Trigger Low Values, All devices



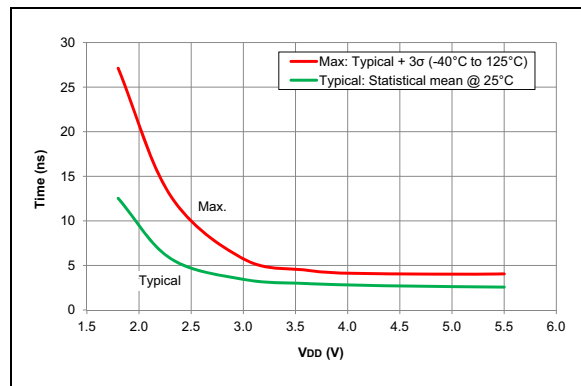
**FIGURE 36-99:** TTL Trip Thresholds, All devices



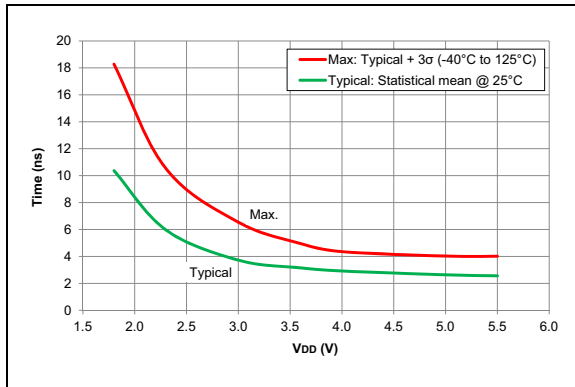
**FIGURE 36-100:** Rise Time, Slew Rate Control Enabled, All devices



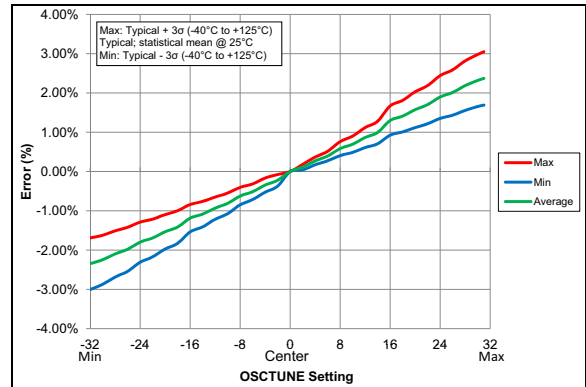
**FIGURE 36-101:** Fall Time, Slew Rate Control Enabled, All devices



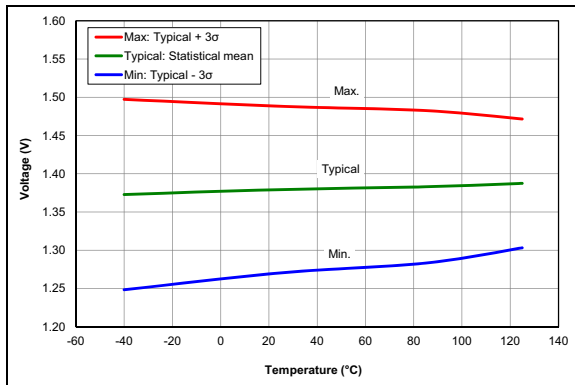
**FIGURE 36-102:** Rise Time, Slew Rate Control Disabled, All devices



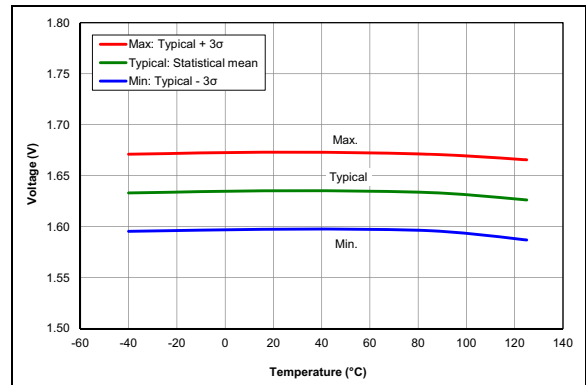
**FIGURE 36-103:** Fall Time, Slew Rate Control Disabled, All devices



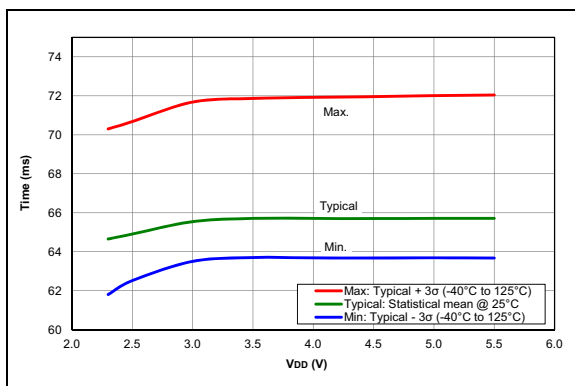
**FIGURE 36-104:** OSCTUNE Center Frequency, PIC16LF18313/18323 Only



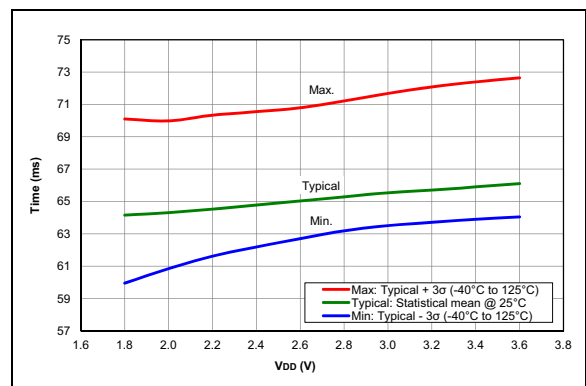
**FIGURE 36-105:** POR Release Voltage, All devices



**FIGURE 36-106:** POR Rearm Voltage, Normal Power Mode, PIC16F18313/18323 Only

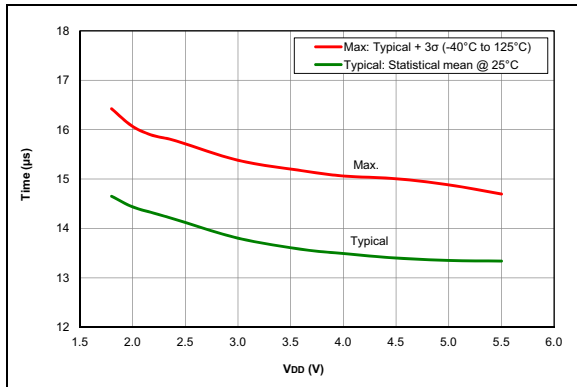


**FIGURE 36-107:** PWRT Period, PIC16F18313/18323 Only

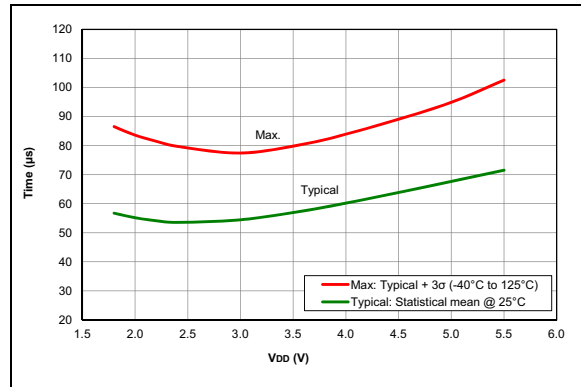


**FIGURE 36-108:** PWRT Period, PIC16LF18313/18323 Only

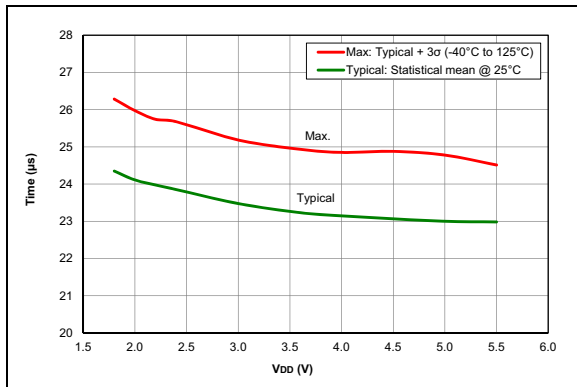
# PIC16(L)F18313/18323



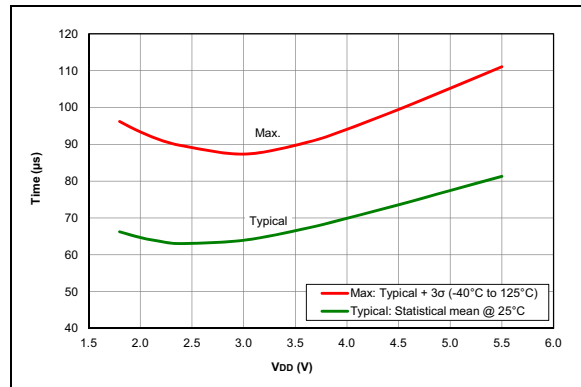
**FIGURE 36-109:** Wake From Sleep, VREGPM = 0, HFINTOSC = 4 MHz, PIC16F18313/18323 Only



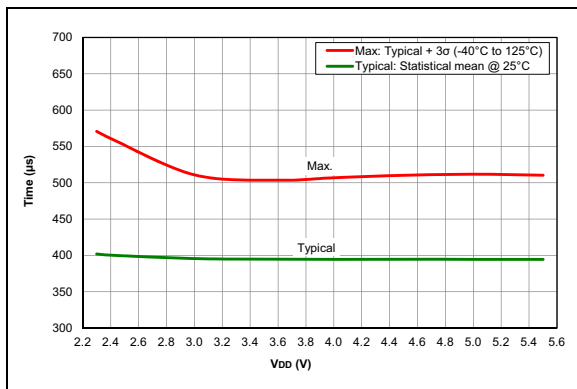
**FIGURE 36-110:** ULP Wake From Sleep, VREGPM = 1, HFINTOSC = 4 MHz, PIC16F18313/18323 Only



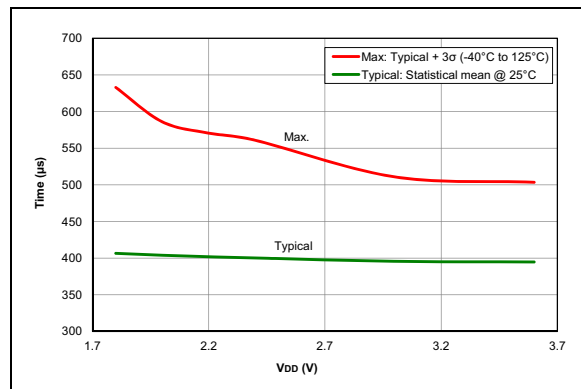
**FIGURE 36-111:** Wake From Sleep, VREGPM = 1, HFINTOSC = 16 MHz, PIC16F18313/18323 Only



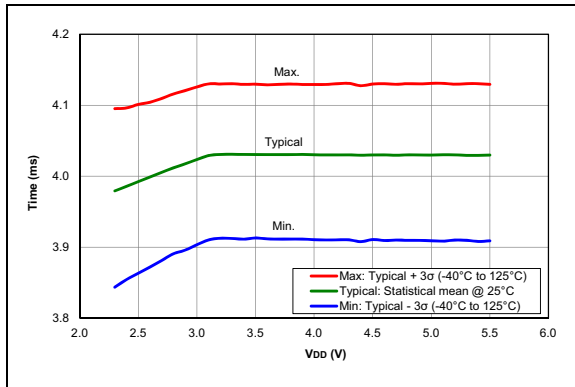
**FIGURE 36-112:** ULP Wake From Sleep, VREGPM = 1, HFINTOSC = 16 MHz, PIC16F18313/18323 Only



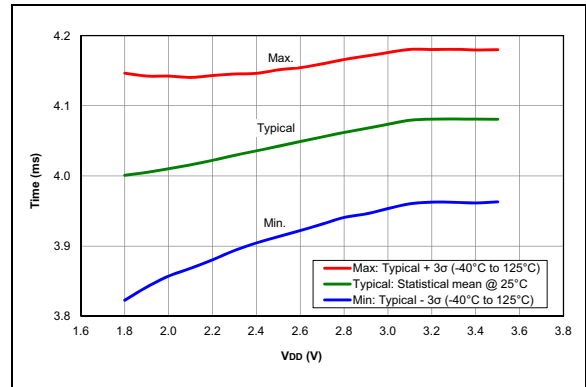
**FIGURE 36-113:** Wake From Sleep, VREGPM = 1, LFINTOSC, PIC16F18313/18323 Only



**FIGURE 36-114:** Wake From Sleep, LFINTOSC, PIC16LF18313/18323 Only



**FIGURE 36-115:** WDT Time-out Period, PIC16F18313/18323 Only



**FIGURE 36-116:** WDT Time-out Period, PIC16LF18313/18323 Only



## 37.0 DEVELOPMENT SUPPORT

The PIC® microcontrollers (MCU) and dsPIC® digital signal controllers (DSC) are supported with a full range of software and hardware development tools:

- Integrated Development Environment
  - MPLAB® X IDE Software
  - MPLAB Xpress IDE Software
  - Microchip Code Configurator (MCC)
- Compilers/Assemblers/Linkers
  - MPLAB XC Compiler
  - MPASM™ Assembler
  - MPLINK™ Object Linker/  
MPLIB™ Object Librarian
  - MPLAB Assembler/Linker/Librarian for  
Various Device Families
- Simulators
  - MPLAB X SIM Software Simulator
- Emulators
  - MPLAB REAL ICE™ In-Circuit Emulator
- In-Circuit Debuggers/Programmers
  - MPLAB ICD 3
  - PICKit™ 3
- Device Programmers
  - MPLAB PM3 Device Programmer
- Low-Cost Demonstration/Development Boards,  
Evaluation Kits and Starter Kits
- Third-party development tools

## 37.1 MPLAB X Integrated Development Environment Software

The MPLAB X IDE is a single, unified graphical user interface for Microchip and third-party software, and hardware development tool that runs on Windows®, Linux and Mac OS® X. Based on the NetBeans IDE, MPLAB X IDE is an entirely new IDE with a host of free software components and plug-ins for high-performance application development and debugging. Moving between tools and upgrading from software simulators to hardware debugging and programming tools is simple with the seamless user interface.

With complete project management, visual call graphs, a configurable watch window and a feature-rich editor that includes code completion and context menus, MPLAB X IDE is flexible and friendly enough for new users. With the ability to support multiple tools on multiple projects with simultaneous debugging, MPLAB X IDE is also suitable for the needs of experienced users.

Feature-Rich Editor:

- Color syntax highlighting
- Smart code completion makes suggestions and provides hints as you type
- Automatic code formatting based on user-defined rules
- Live parsing

User-Friendly, Customizable Interface:

- Fully customizable interface: toolbars, toolbar buttons, windows, window placement, etc.
- Call graph window

Project-Based Workspaces:

- Multiple projects
- Multiple tools
- Multiple configurations
- Simultaneous debugging sessions

File History and Bug Tracking:

- Local file history feature
- Built-in support for Bugzilla issue tracker

## 37.2 MPLAB XC Compilers

The MPLAB XC Compilers are complete ANSI C compilers for all of Microchip's 8, 16, and 32-bit MCU and DSC devices. These compilers provide powerful integration capabilities, superior code optimization and ease of use. MPLAB XC Compilers run on Windows, Linux or MAC OS X.

For easy source level debugging, the compilers provide debug information that is optimized to the MPLAB X IDE.

The free MPLAB XC Compiler editions support all devices and commands, with no time or memory restrictions, and offer sufficient code optimization for most applications.

MPLAB XC Compilers include an assembler, linker and utilities. The assembler generates relocatable object files that can then be archived or linked with other relocatable object files and archives to create an executable file. MPLAB XC Compiler uses the assembler to produce its object file. Notable features of the assembler include:

- Support for the entire device instruction set
- Support for fixed-point and floating-point data
- Command-line interface
- Rich directive set
- Flexible macro language
- MPLAB X IDE compatibility

## 37.3 MPASM Assembler

The MPASM Assembler is a full-featured, universal macro assembler for PIC10/12/16/18 MCUs.

The MPASM Assembler generates relocatable object files for the MPLINK Object Linker, Intel® standard HEX files, MAP files to detail memory usage and symbol reference, absolute LST files that contain source lines and generated machine code, and COFF files for debugging.

The MPASM Assembler features include:

- Integration into MPLAB X IDE projects
- User-defined macros to streamline assembly code
- Conditional assembly for multipurpose source files
- Directives that allow complete control over the assembly process

## 37.4 MPLINK Object Linker/ MPLIB Object Librarian

The MPLINK Object Linker combines relocatable objects created by the MPASM Assembler. It can link relocatable objects from precompiled libraries, using directives from a linker script.

The MPLIB Object Librarian manages the creation and modification of library files of precompiled code. When a routine from a library is called from a source file, only the modules that contain that routine will be linked in with the application. This allows large libraries to be used efficiently in many different applications.

The object linker/library features include:

- Efficient linking of single libraries instead of many smaller files
- Enhanced code maintainability by grouping related modules together
- Flexible creation of libraries with easy module listing, replacement, deletion and extraction

## 37.5 MPLAB Assembler, Linker and Librarian for Various Device Families

MPLAB Assembler produces relocatable machine code from symbolic assembly language for PIC24, PIC32 and dsPIC DSC devices. MPLAB XC Compiler uses the assembler to produce its object file. The assembler generates relocatable object files that can then be archived or linked with other relocatable object files and archives to create an executable file. Notable features of the assembler include:

- Support for the entire device instruction set
- Support for fixed-point and floating-point data
- Command-line interface
- Rich directive set
- Flexible macro language
- MPLAB X IDE compatibility

## 37.6 MPLAB X SIM Software Simulator

The MPLAB X SIM Software Simulator allows code development in a PC-hosted environment by simulating the PIC MCUs and dsPIC DSCs on an instruction level. On any given instruction, the data areas can be examined or modified and stimuli can be applied from a comprehensive stimulus controller. Registers can be logged to files for further run-time analysis. The trace buffer and logic analyzer display extend the power of the simulator to record and track program execution, actions on I/O, most peripherals and internal registers.

The MPLAB X SIM Software Simulator fully supports symbolic debugging using the MPLAB XC Compilers, and the MPASM and MPLAB Assemblers. The software simulator offers the flexibility to develop and debug code outside of the hardware laboratory environment, making it an excellent, economical software development tool.

## 37.7 MPLAB REAL ICE In-Circuit Emulator System

The MPLAB REAL ICE In-Circuit Emulator System is Microchip's next generation high-speed emulator for Microchip Flash DSC and MCU devices. It debugs and programs all 8, 16 and 32-bit MCU, and DSC devices with the easy-to-use, powerful graphical user interface of the MPLAB X IDE.

The emulator is connected to the design engineer's PC using a high-speed USB 2.0 interface and is connected to the target with either a connector compatible with in-circuit debugger systems (RJ-11) or with the new high-speed, noise tolerant, Low-Voltage Differential Signal (LVDS) interconnection (CAT5).

The emulator is field upgradeable through future firmware downloads in MPLAB X IDE. MPLAB REAL ICE offers significant advantages over competitive emulators including full-speed emulation, run-time variable watches, trace analysis, complex breakpoints, logic probes, a ruggedized probe interface and long (up to three meters) interconnection cables.

## 37.8 MPLAB ICD 3 In-Circuit Debugger System

The MPLAB ICD 3 In-Circuit Debugger System is Microchip's most cost-effective, high-speed hardware debugger/programmer for Microchip Flash DSC and MCU devices. It debugs and programs PIC Flash microcontrollers and dsPIC DSCs with the powerful, yet easy-to-use graphical user interface of the MPLAB IDE.

The MPLAB ICD 3 In-Circuit Debugger probe is connected to the design engineer's PC using a high-speed USB 2.0 interface and is connected to the target with a connector compatible with the MPLAB ICD 2 or MPLAB REAL ICE systems (RJ-11). MPLAB ICD 3 supports all MPLAB ICD 2 headers.

## 37.9 PICkit 3 In-Circuit Debugger/Programmer

The MPLAB PICkit 3 allows debugging and programming of PIC and dsPIC Flash microcontrollers at a most affordable price point using the powerful graphical user interface of the MPLAB IDE. The MPLAB PICkit 3 is connected to the design engineer's PC using a full-speed USB interface and can be connected to the target via a Microchip debug (RJ-11) connector (compatible with MPLAB ICD 3 and MPLAB REAL ICE). The connector uses two device I/O pins and the Reset line to implement in-circuit debugging and In-Circuit Serial Programming™ (ICSP™).

## 37.10 MPLAB PM3 Device Programmer

The MPLAB PM3 Device Programmer is a universal, CE compliant device programmer with programmable voltage verification at VDDMIN and VDDMAX for maximum reliability. It features a large LCD display (128 x 64) for menus and error messages, and a modular, detachable socket assembly to support various package types. The ICSP cable assembly is included as a standard item. In Stand-Alone mode, the MPLAB PM3 Device Programmer can read, verify and program PIC devices without a PC connection. It can also set code protection in this mode. The MPLAB PM3 connects to the host PC via an RS-232 or USB cable. The MPLAB PM3 has high-speed communications and optimized algorithms for quick programming of large memory devices, and incorporates an MMC card for file storage and data applications.

# PIC16(L)F18313/18323

---

## 37.11 Demonstration/Development Boards, Evaluation Kits, and Starter Kits

A wide variety of demonstration, development and evaluation boards for various PIC MCUs and dsPIC DSCs allows quick application development on fully functional systems. Most boards include prototyping areas for adding custom circuitry and provide application firmware and source code for examination and modification.

The boards support a variety of features, including LEDs, temperature sensors, switches, speakers, RS-232 interfaces, LCD displays, potentiometers and additional EEPROM memory.

The demonstration and development boards can be used in teaching environments, for prototyping custom circuits and for learning about various microcontroller applications.

In addition to the PICDEM™ and dsPICDEM™ demonstration/development board series of circuits, Microchip has a line of evaluation kits and demonstration software for analog filter design, KEELOQ® security ICs, CAN, IrDA®, PowerSmart battery management, SEEVAL® evaluation system, Sigma-Delta ADC, flow rate sensing, plus many more.

Also available are starter kits that contain everything needed to experience the specified device. This usually includes a single application and debug capability, all on one board.

Check the Microchip web page ([www.microchip.com](http://www.microchip.com)) for the complete list of demonstration, development and evaluation kits.

## 37.12 Third-Party Development Tools

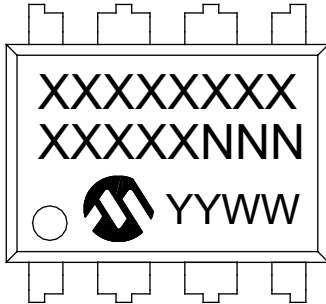
Microchip also offers a great collection of tools from third-party vendors. These tools are carefully selected to offer good value and unique functionality.

- Device Programmers and Gang Programmers from companies, such as SoftLog and CCS
- Software Tools from companies, such as Gimpel and Trace Systems
- Protocol Analyzers from companies, such as Saleae and Total Phase
- Demonstration Boards from companies, such as MikroElektronika, Digilent® and Olimex
- Embedded Ethernet Solutions from companies, such as EZ Web Lynx, WIZnet and IPLogika®

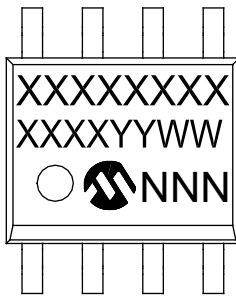
## 38.0 PACKAGING INFORMATION

### 38.1 Package Marking Information

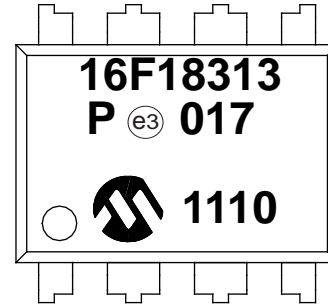
#### 8-Lead PDIP (300 mil)



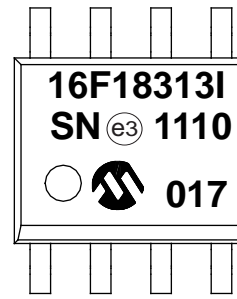
8-Lead SOIC (3.90 mm)



#### Example



Example



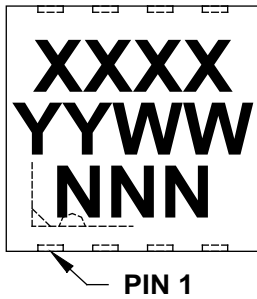
<b>Legend:</b>	XX...X	Customer-specific information
	Y	Year code (last digit of calendar year)
	YY	Year code (last 2 digits of calendar year)
	WW	Week code (week of January 1 is week '01')
	NNN	Alphanumeric traceability code
	e3	Pb-free JEDEC designator for Matte Tin (Sn)
	*	This package is Pb-free. The Pb-free JEDEC designator (e3) can be found on the outer packaging for this package.

**Note:** In the event the full Microchip part number cannot be marked on one line, it will be carried over to the next line, thus limiting the number of available characters for customer-specific information.

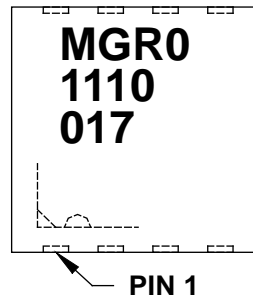
# PIC16(L)F18313/18323

## Package Marking Information (Continued)

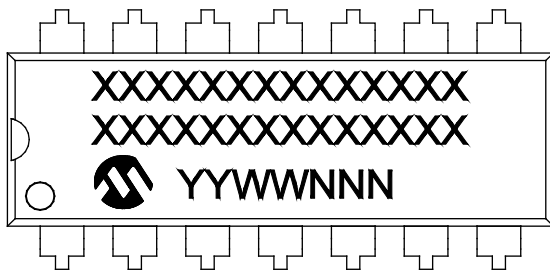
8-Lead UDFN (3x3x0.9 mm)



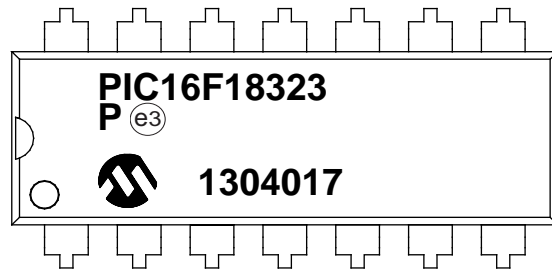
Example



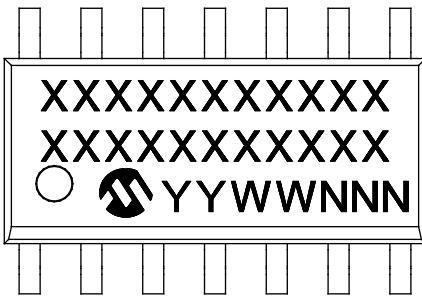
14-Lead PDIP (300 mil)



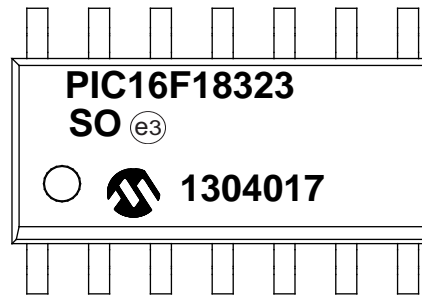
Example



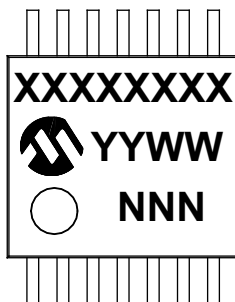
14-Lead SOIC (3.90 mm)



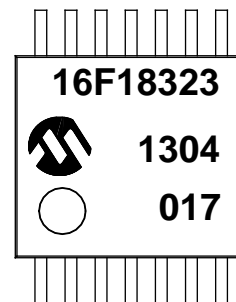
Example



14-Lead TSSOP (4.4 mm)



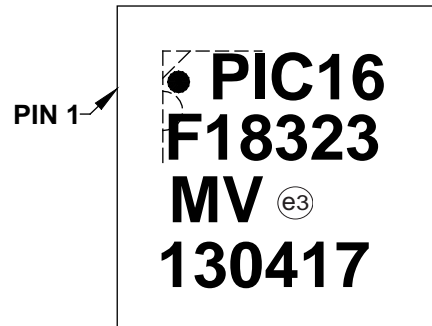
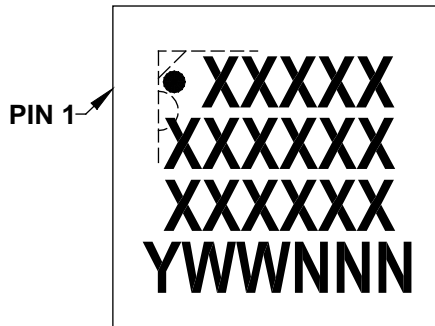
Example



## Package Marking Information (Continued)

16-Lead UQFN (4x4x0.9 mm)

Example



# PIC16(L)F18313/18323

---

**TABLE 38-1: 8-LEAD 3x3 UDFN (RF) TOP MARKING**

Part Number	Marking
PIC16F18313 RF	MGG0
PIC16LF18313 RF	MGH0



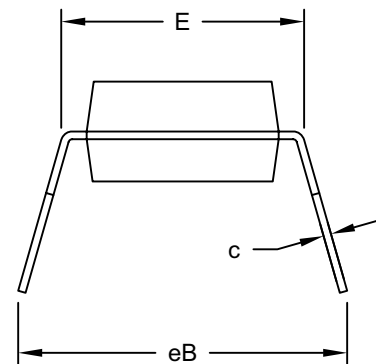
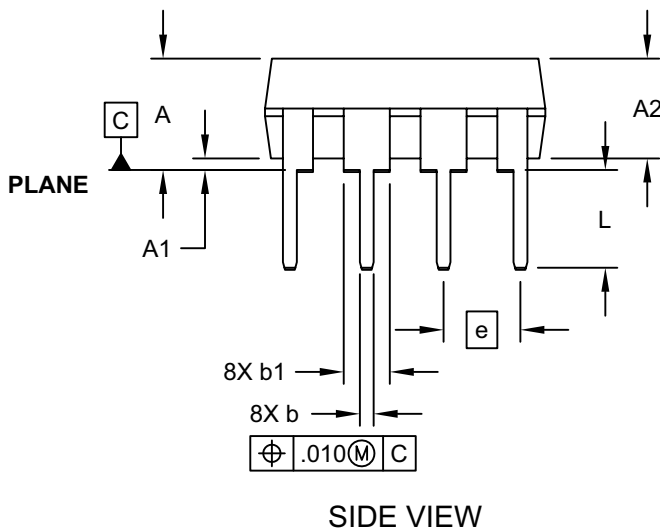
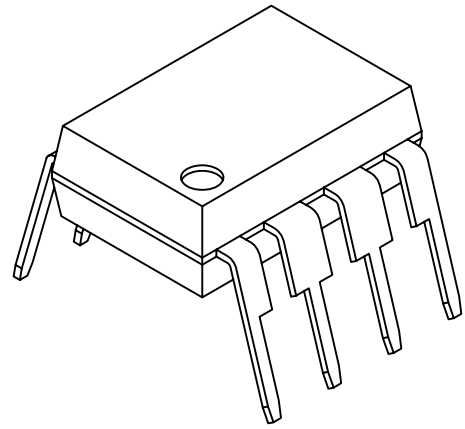
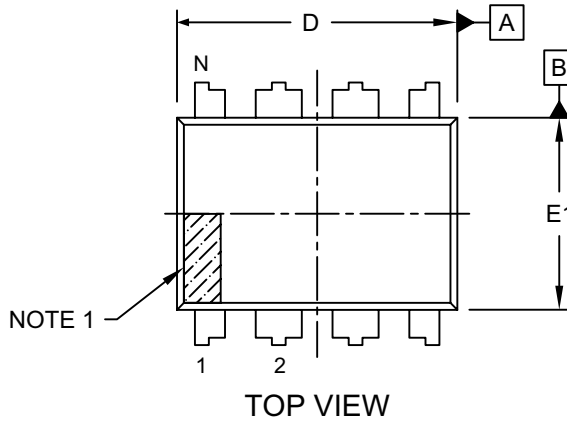
# PIC16(L)F18313/18323

## 38.2 Package Details

The following sections give the technical details of the packages.

### 8-Lead Plastic Dual In-Line (P) - 300 mil Body [PDIP]

**Note:** For the most current package drawings, please see the Microchip Packaging Specification located at <http://www.microchip.com/packaging>



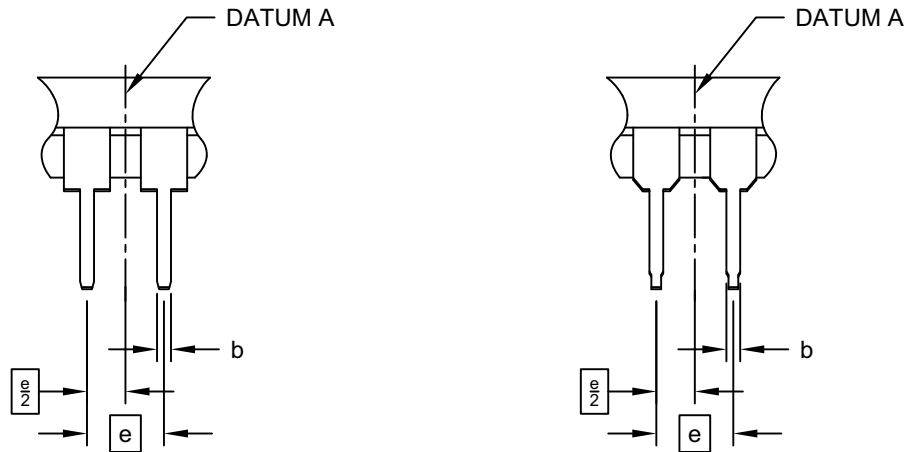
Microchip Technology Drawing No. C04-018D Sheet 1 of 2

# PIC16(L)F18313/18323

## 8-Lead Plastic Dual In-Line (P) - 300 mil Body [PDIP]

**Note:** For the most current package drawings, please see the Microchip Packaging Specification located at <http://www.microchip.com/packaging>

### ALTERNATE LEAD DESIGN (VENDOR DEPENDENT)



Dimension Limits	Units	INCHES		
		MIN	NOM	MAX
Number of Pins	N	8		
Pitch	e	.100 BSC		
Top to Seating Plane	A	-	-	.210
Molded Package Thickness	A2	.115	.130	.195
Base to Seating Plane	A1	.015	-	-
Shoulder to Shoulder Width	E	.290	.310	.325
Molded Package Width	E1	.240	.250	.280
Overall Length	D	.348	.365	.400
Tip to Seating Plane	L	.115	.130	.150
Lead Thickness	c	.008	.010	.015
Upper Lead Width	b1	.040	.060	.070
Lower Lead Width	b	.014	.018	.022
Overall Row Spacing §	eB	-	-	.430

**Notes:**

1. Pin 1 visual index feature may vary, but must be located within the hatched area.
2. § Significant Characteristic
3. Dimensions D and E1 do not include mold flash or protrusions. Mold flash or protrusions shall not exceed .010" per side.
4. Dimensioning and tolerancing per ASME Y14.5M

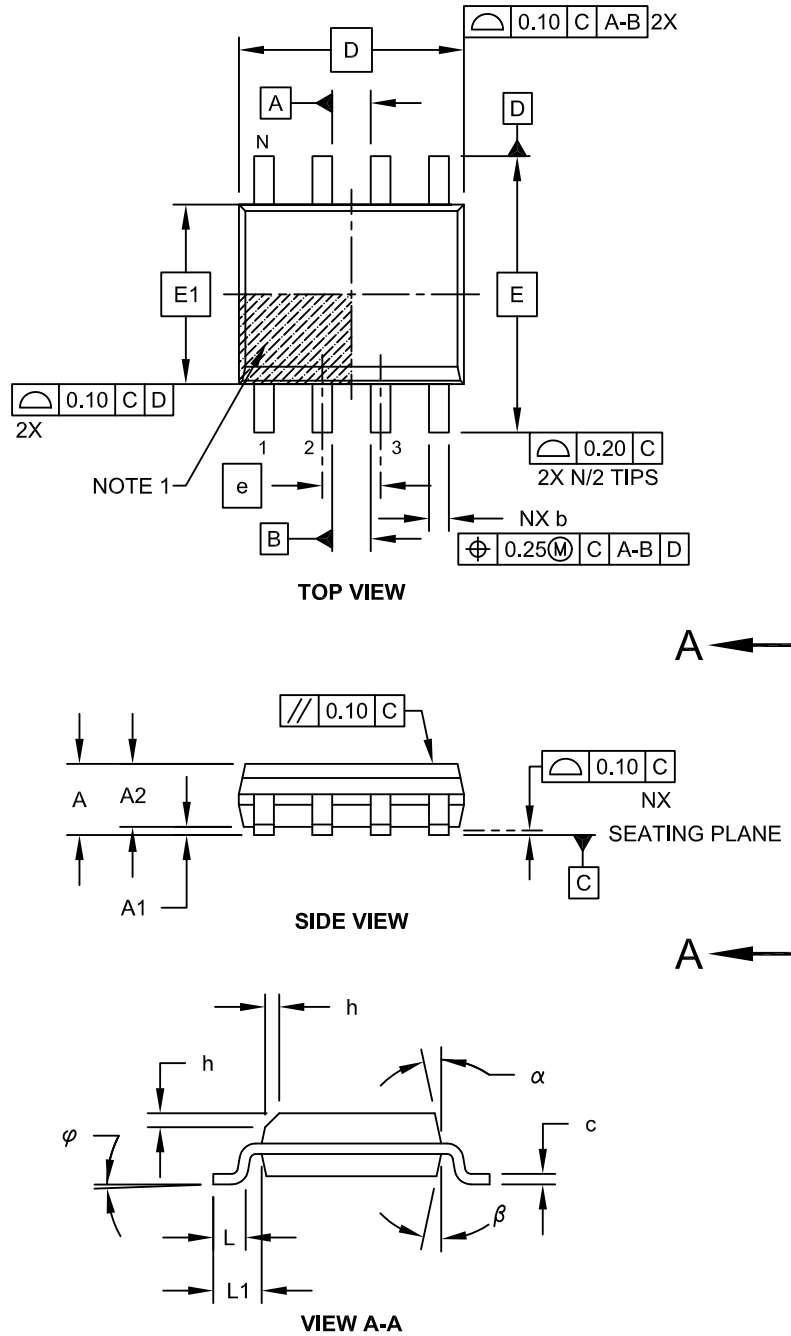
BSC: Basic Dimension. Theoretically exact value shown without tolerances.

Microchip Technology Drawing No. C04-018D Sheet 2 of 2

# PIC16(L)F18313/18323

## 8-Lead Plastic Small Outline (SN) - Narrow, 3.90 mm Body [SOIC]

**Note:** For the most current package drawings, please see the Microchip Packaging Specification located at <http://www.microchip.com/packaging>

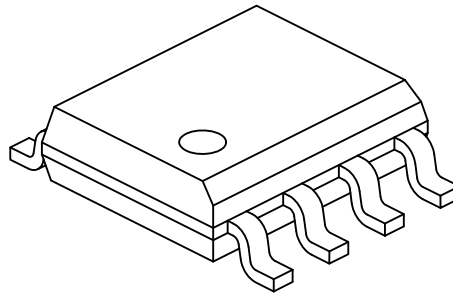


Microchip Technology Drawing No. C04-057C Sheet 1 of 2

# PIC16(L)F18313/18323

## 8-Lead Plastic Small Outline (SN) - Narrow, 3.90 mm Body [SOIC]

**Note:** For the most current package drawings, please see the Microchip Packaging Specification located at <http://www.microchip.com/packaging>



Dimension Limits	Units	MILLIMETERS		
		MIN	NOM	MAX
Number of Pins	N	8		
Pitch	e	1.27 BSC		
Overall Height	A	-	-	1.75
Molded Package Thickness	A2	1.25	-	-
Standoff §	A1	0.10	-	0.25
Overall Width	E	6.00 BSC		
Molded Package Width	E1	3.90 BSC		
Overall Length	D	4.90 BSC		
Chamfer (Optional)	h	0.25	-	0.50
Foot Length	L	0.40	-	1.27
Footprint	L1	1.04 REF		
Foot Angle	$\varphi$	0°	-	8°
Lead Thickness	c	0.17	-	0.25
Lead Width	b	0.31	-	0.51
Mold Draft Angle Top	$\alpha$	5°	-	15°
Mold Draft Angle Bottom	$\beta$	5°	-	15°

### Notes:

1. Pin 1 visual index feature may vary, but must be located within the hatched area.
2. § Significant Characteristic
3. Dimensions D and E1 do not include mold flash or protrusions. Mold flash or protrusions shall not exceed 0.15mm per side.
4. Dimensioning and tolerancing per ASME Y14.5M

BSC: Basic Dimension. Theoretically exact value shown without tolerances.

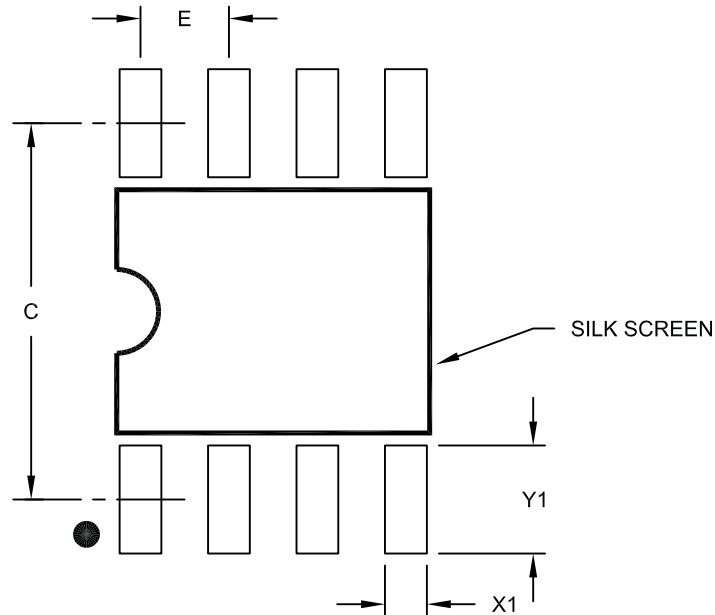
REF: Reference Dimension, usually without tolerance, for information purposes only.

Microchip Technology Drawing No. C04-057C Sheet 2 of 2

# PIC16(L)F18313/18323

## 8-Lead Plastic Small Outline (SN) – Narrow, 3.90 mm Body [SOIC]

**Note:** For the most current package drawings, please see the Microchip Packaging Specification located at <http://www.microchip.com/packaging>



RECOMMENDED LAND PATTERN

Dimension Limits	Units	MILLIMETERS		
		MIN	NOM	MAX
Contact Pitch	E	1.27 BSC		
Contact Pad Spacing	C		5.40	
Contact Pad Width (X8)	X1			0.60
Contact Pad Length (X8)	Y1			1.55

**Notes:**

1. Dimensioning and tolerancing per ASME Y14.5M

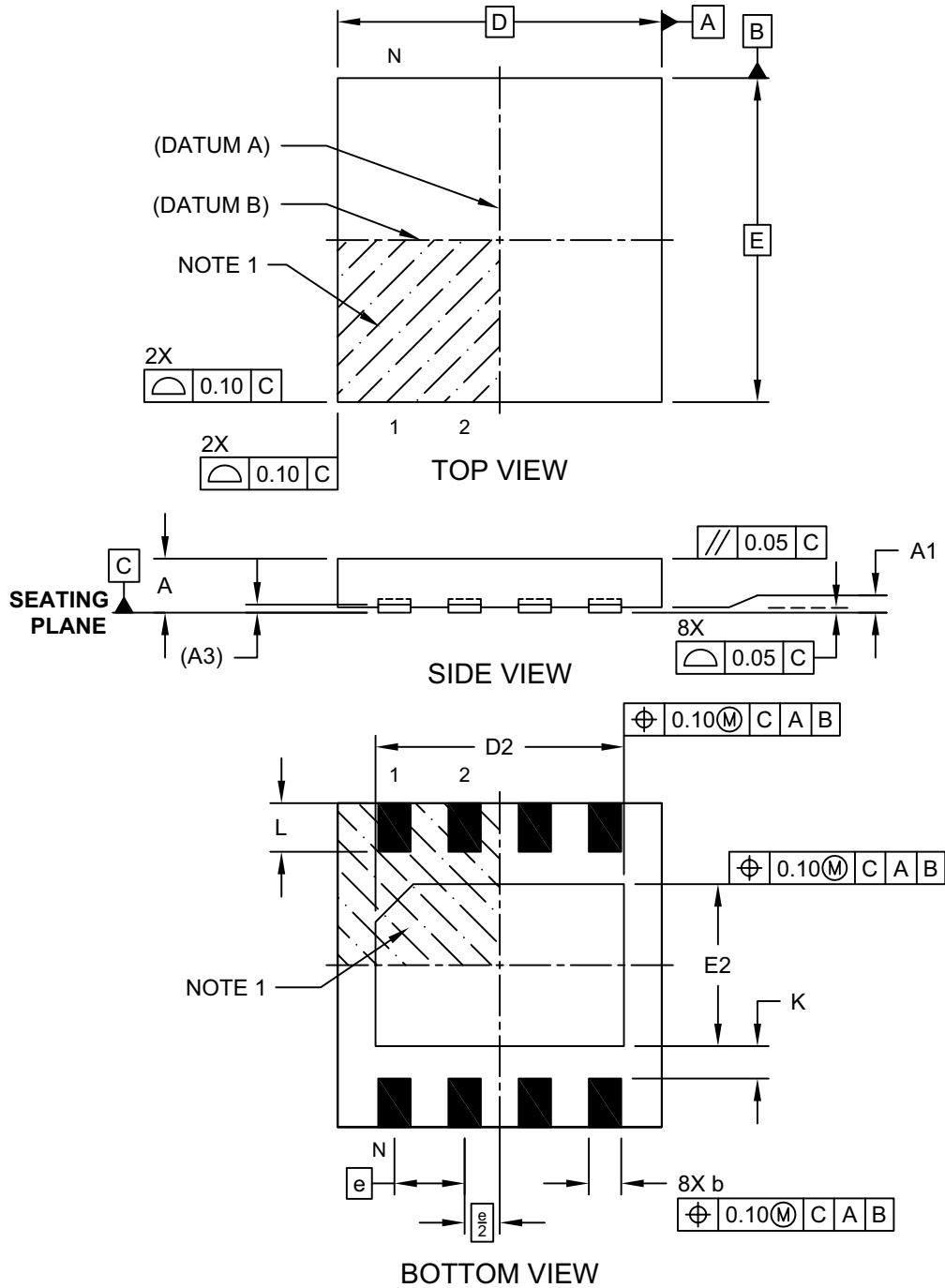
BSC: Basic Dimension. Theoretically exact value shown without tolerances.

Microchip Technology Drawing No. C04-2057A

# PIC16(L)F18313/18323

## 8-Lead Ultra Thin Plastic Dual Flat, No Lead Package (RF) - 3x3x0.50 mm Body [UDFN]

**Note:** For the most current package drawings, please see the Microchip Packaging Specification located at <http://www.microchip.com/packaging>

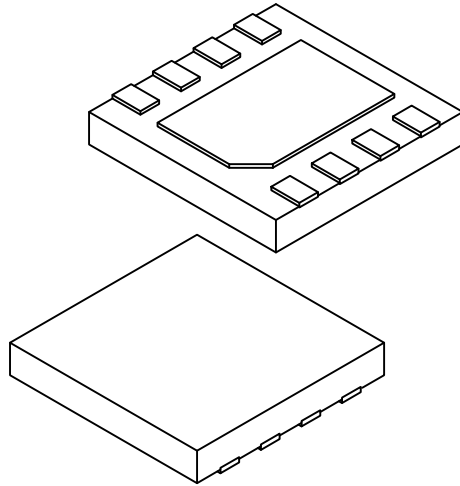


Microchip Technology Drawing C04-254A Sheet 1 of 2

# PIC16(L)F18313/18323

## 8-Lead Ultra Thin Plastic Dual Flat, No Lead Package (RF) - 3x3x0.50 mm Body [UDFN]

**Note:** For the most current package drawings, please see the Microchip Packaging Specification located at <http://www.microchip.com/packaging>



Units		MILLIMETERS		
Dimension Limits		MIN	NOM	MAX
Number of Terminals	N	8		
Pitch	e	0.65 BSC		
Overall Height	A	0.45	0.50	0.55
Standoff	A1	0.00	0.02	0.05
Terminal Thickness	A3	0.065 REF		
Overall Width	E	3.00 BSC		
Exposed Pad Width	E2	1.40	1.50	1.60
Overall Length	D	3.00 BSC		
Exposed Pad Length	D2	2.20	2.30	2.40
Terminal Width	b	0.25	0.30	0.35
Terminal Length	L	0.35	0.45	0.55
Terminal-to-Exposed-Pad	K	0.20	-	-

**Notes:**

1. Pin 1 visual index feature may vary, but must be located within the hatched area.
2. Package is saw singulated
3. Dimensioning and tolerancing per ASME Y14.5M

BSC: Basic Dimension. Theoretically exact value shown without tolerances.

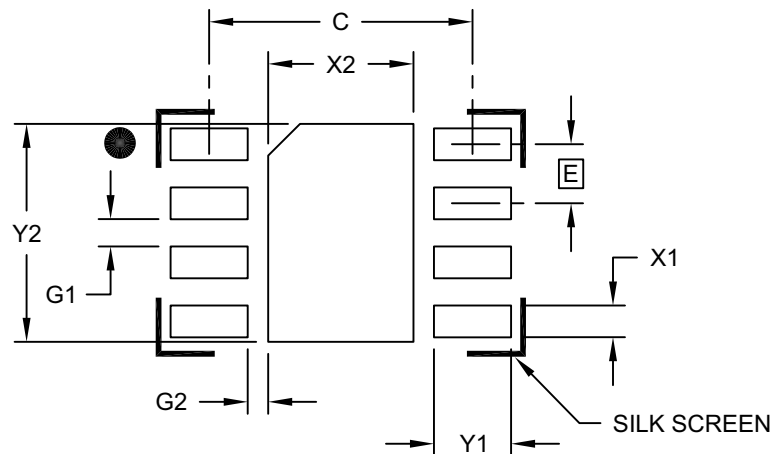
REF: Reference Dimension, usually without tolerance, for information purposes only.

Microchip Technology Drawing C04-254A Sheet 2 of 2

# PIC16(L)F18313/18323

## 8-Lead Ultra Thin Plastic Dual Flat, No Lead Package (RF) - 3x3x0.50 mm Body [UDFN]

**Note:** For the most current package drawings, please see the Microchip Packaging Specification located at <http://www.microchip.com/packaging>



### RECOMMENDED LAND PATTERN

Dimension	Units	MILLIMETERS		
		MIN	NOM	MAX
Contact Pitch	E	0.65 BSC		
Optional Center Pad Width	X2			1.60
Optional Center Pad Length	Y2			2.40
Contact Pad Spacing	C		2.90	
Contact Pad Width (X8)	X1			0.35
Contact Pad Length (X8)	Y1			0.85
Contact Pad to Contact Pad (X6)	G1	0.20		
Contact Pad to Center Pad (X8)	G2	0.30		

**Notes:**

1. Dimensioning and tolerancing per ASME Y14.5M

BSC: Basic Dimension. Theoretically exact value shown without tolerances.

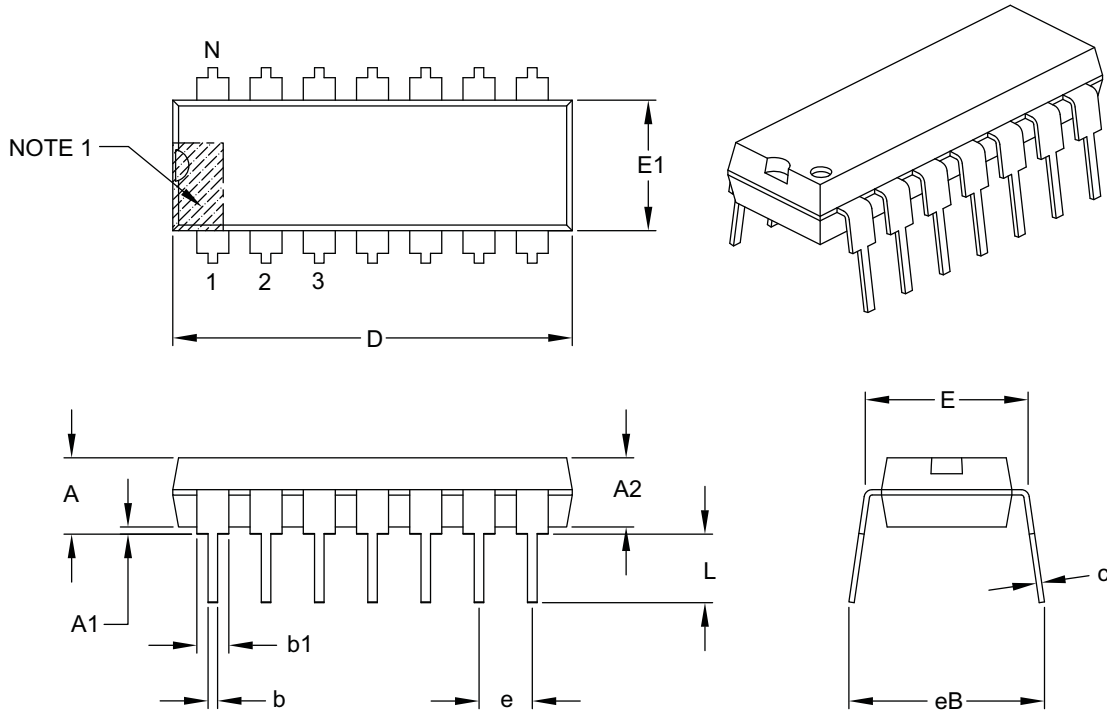
Microchip Technology Drawing C04-2254A



# PIC16(L)F18313/18323

## 14-Lead Plastic Dual In-Line (P) – 300 mil Body [PDIP]

**Note:** For the most current package drawings, please see the Microchip Packaging Specification located at <http://www.microchip.com/packaging>



Dimension Limits	Units	INCHES		
		MIN	NOM	MAX
Number of Pins	N	14		
Pitch	e	.100 BSC		
Top to Seating Plane	A	–	–	.210
Molded Package Thickness	A2	.115	.130	.195
Base to Seating Plane	A1	.015	–	–
Shoulder to Shoulder Width	E	.290	.310	.325
Molded Package Width	E1	.240	.250	.280
Overall Length	D	.735	.750	.775
Tip to Seating Plane	L	.115	.130	.150
Lead Thickness	c	.008	.010	.015
Upper Lead Width	b1	.045	.060	.070
Lower Lead Width	b	.014	.018	.022
Overall Row Spacing §	eB	–	–	.430

**Notes:**

- Pin 1 visual index feature may vary, but must be located with the hatched area.
- § Significant Characteristic.
- Dimensions D and E1 do not include mold flash or protrusions. Mold flash or protrusions shall not exceed .010" per side.
- Dimensioning and tolerancing per ASME Y14.5M.

BSC: Basic Dimension. Theoretically exact value shown without tolerances.

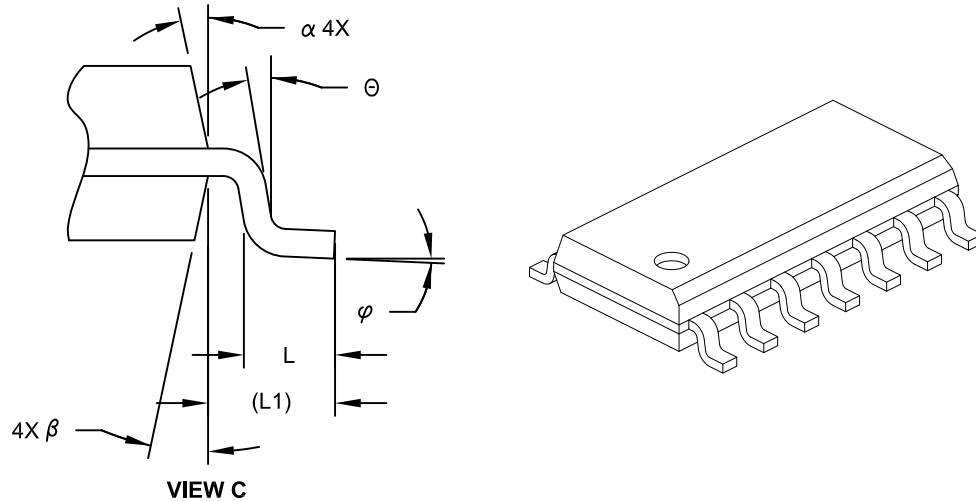
Microchip Technology Drawing C04-005B



# PIC16(L)F18313/18323

## 14-Lead Plastic Small Outline (SL) - Narrow, 3.90 mm Body [SOIC]

**Note:** For the most current package drawings, please see the Microchip Packaging Specification located at <http://www.microchip.com/packaging>



Dimension Limits	Units	MILLIMETERS		
		MIN	NOM	MAX
Number of Pins	N	14		
Pitch	e	1.27 BSC		
Overall Height	A	-	-	1.75
Molded Package Thickness	A2	1.25	-	-
Standoff §	A1	0.10	-	0.25
Overall Width	E	6.00 BSC		
Molded Package Width	E1	3.90 BSC		
Overall Length	D	8.65 BSC		
Chamfer (Optional)	h	0.25	-	0.50
Foot Length	L	0.40	-	1.27
Footprint	L1	1.04 REF		
Lead Angle	θ	0°	-	-
Foot Angle	φ	0°	-	8°
Lead Thickness	c	0.10	-	0.25
Lead Width	b	0.31	-	0.51
Mold Draft Angle Top	α	5°	-	15°
Mold Draft Angle Bottom	β	5°	-	15°

**Notes:**

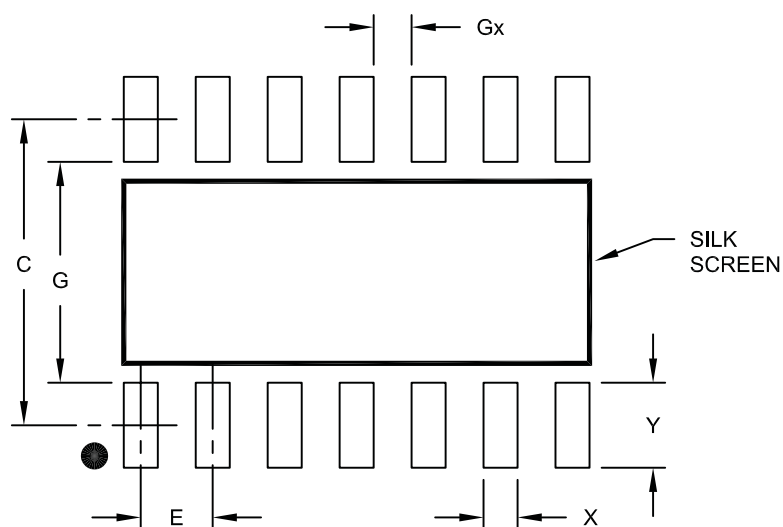
- Pin 1 visual index feature may vary, but must be located within the hatched area.
- § Significant Characteristic
- Dimension D does not include mold flash, protrusions or gate burrs, which shall not exceed 0.15 mm per end. Dimension E1 does not include interlead flash or protrusion, which shall not exceed 0.25 mm per side.
- Dimensioning and tolerancing per ASME Y14.5M  
 BSC: Basic Dimension. Theoretically exact value shown without tolerances.  
 REF: Reference Dimension, usually without tolerance, for information purposes only.
- Datums A & B to be determined at Datum H.

Microchip Technology Drawing No. C04-065C Sheet 2 of 2

# PIC16(L)F18313/18323

14-Lead Plastic Small Outline (SL) - Narrow, 3.90 mm Body [SOIC]

**Note:** For the most current package drawings, please see the Microchip Packaging Specification located at <http://www.microchip.com/packaging>



RECOMMENDED LAND PATTERN

Dimension Limits	Units	MILLIMETERS		
		MIN	NOM	MAX
Contact Pitch	E	1.27 BSC		
Contact Pad Spacing	C		5.40	
Contact Pad Width	X			0.60
Contact Pad Length	Y			1.50
Distance Between Pads	Gx	0.67		
Distance Between Pads	G	3.90		

Notes:

1. Dimensioning and tolerancing per ASME Y14.5M

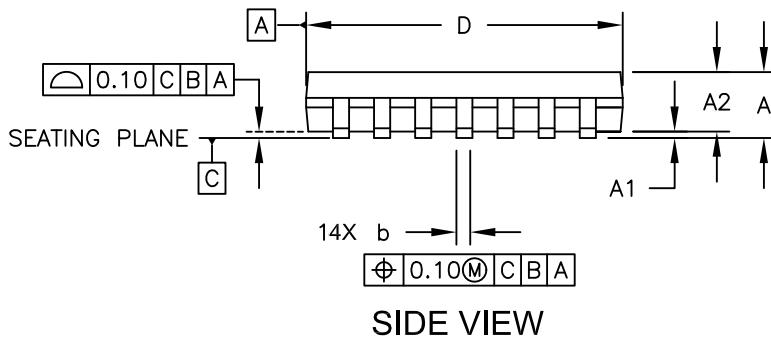
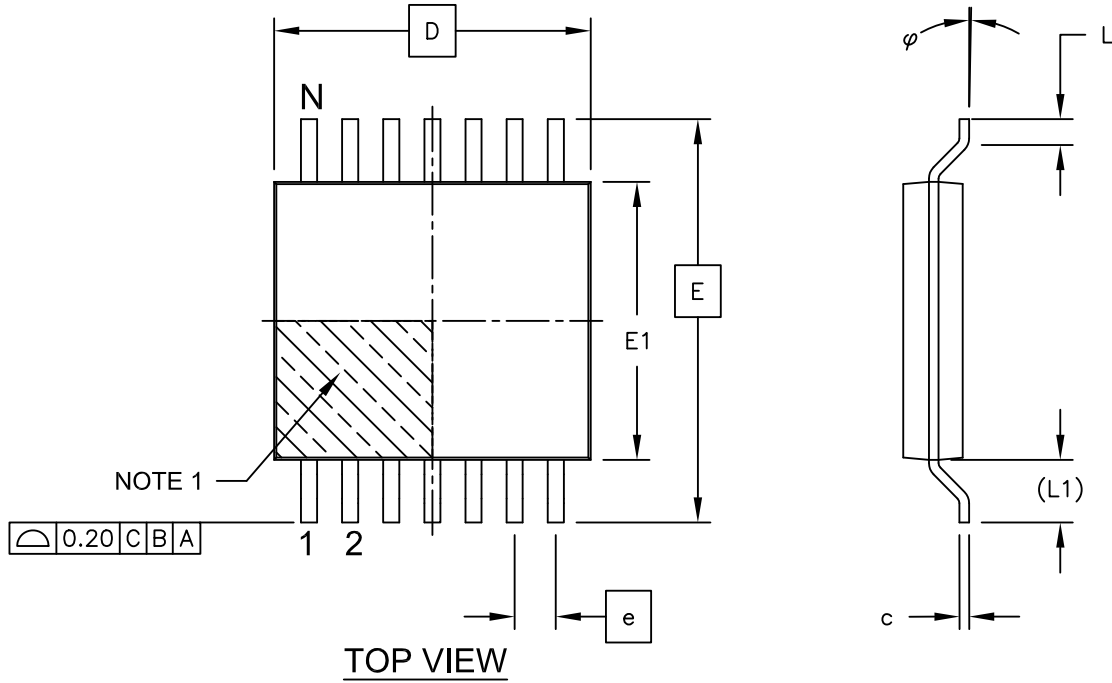
BSC: Basic Dimension. Theoretically exact value shown without tolerances.

Microchip Technology Drawing No. C04-2065A

# PIC16(L)F18313/18323

## 14-Lead Plastic Thin Shrink Small Outline (ST) - 4.4 mm Body [TSSOP]

**Note:** For the most current package drawings, please see the Microchip Packaging Specification located at <http://www.microchip.com/packaging>

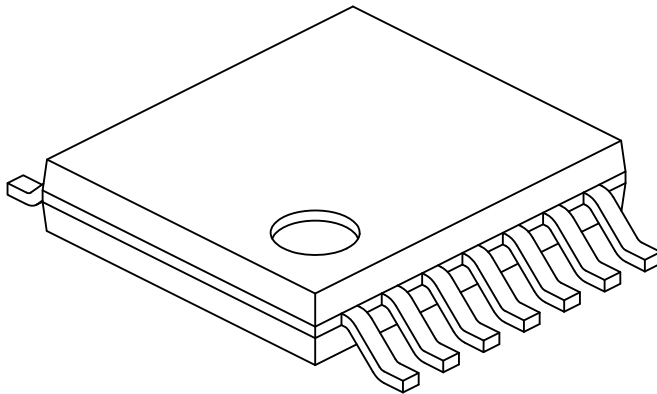


Microchip Technology Drawing C04-087C Sheet 1 of 2

# PIC16(L)F18313/18323

## 14-Lead Plastic Thin Shrink Small Outline (ST) - 4.4 mm Body [TSSOP]

**Note:** For the most current package drawings, please see the Microchip Packaging Specification located at <http://www.microchip.com/packaging>



Dimension Limits	Units	MILLIMETERS		
		MIN	NOM	MAX
Number of Pins	N	14		
Pitch	e	0.65 BSC		
Overall Height	A	-	-	1.20
Molded Package Thickness	A2	0.80	1.00	1.05
Standoff	A1	0.05	-	0.15
Overall Width	E	6.40 BSC		
Molded Package Width	E1	4.30	4.40	4.50
Molded Package Length	D	4.90	5.00	5.10
Foot Length	L	0.45	0.60	0.75
Footprint	(L1)	1.00 REF		
Foot Angle	$\phi$	0°	-	8°
Lead Thickness	c	0.09	-	0.20
Lead Width	b	0.19	-	0.30

**Notes:**

1. Pin 1 visual index feature may vary, but must be located within the hatched area.
2. Dimensions D and E1 do not include mold flash or protrusions. Mold flash or protrusions shall not exceed 0.15mm per side.
3. Dimensioning and tolerancing per ASME Y14.5M

BSC: Basic Dimension, Theoretically exact value shown without tolerances.

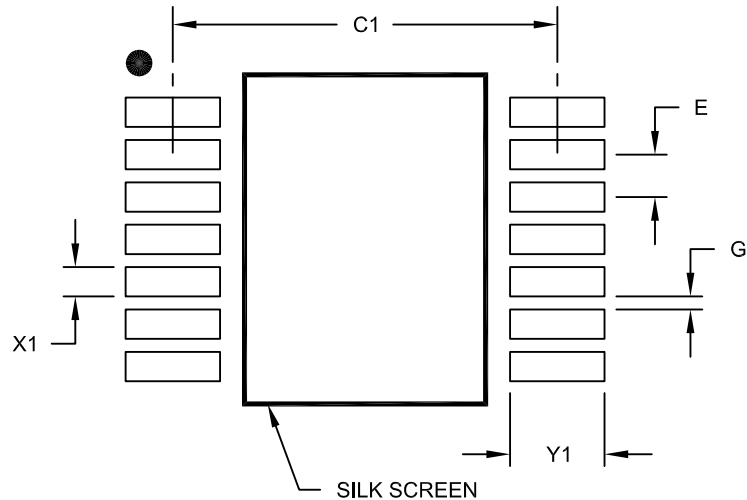
REF: Reference Dimension, usually without tolerance, for information purposes only.

Microchip Technology Drawing No. C04-087C Sheet 2 of 2

# PIC16(L)F18313/18323

## 14-Lead Plastic Thin Shrink Small Outline (ST) - 4.4 mm Body [TSSOP]

**Note:** For the most current package drawings, please see the Microchip Packaging Specification located at <http://www.microchip.com/packaging>



RECOMMENDED LAND PATTERN

Dimension Limits	Units	MILLIMETERS		
		MIN	NOM	MAX
Contact Pitch	E		0.65 BSC	
Contact Pad Spacing	C1		5.90	
Contact Pad Width (X14)	X1			0.45
Contact Pad Length (X14)	Y1			1.45
Distance Between Pads	G	0.20		

**Notes:**

1. Dimensioning and tolerancing per ASME Y14.5M

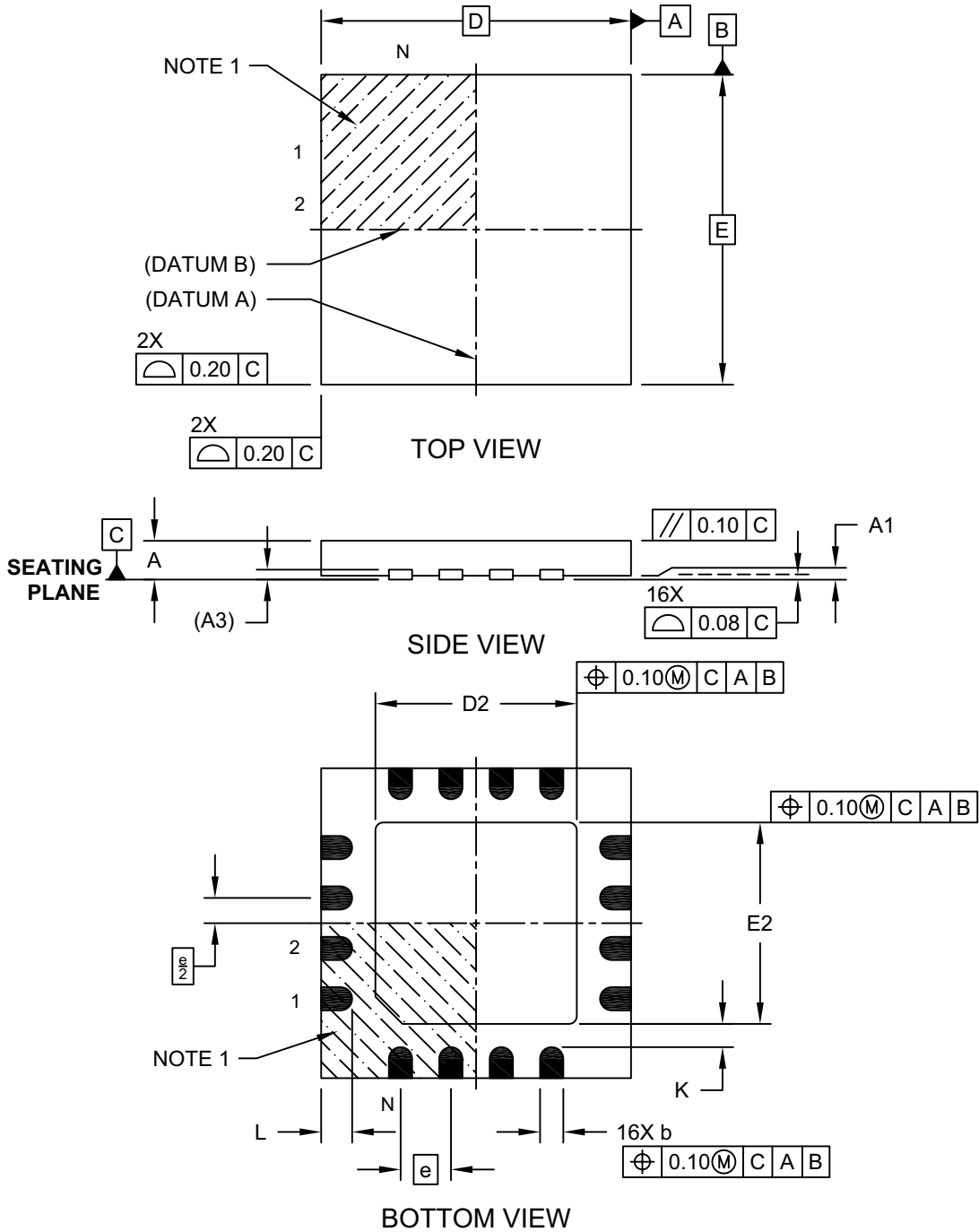
BSC: Basic Dimension. Theoretically exact value shown without tolerances.

Microchip Technology Drawing No. C04-2087A

# PIC16(L)F18313/18323

## 16-Lead Ultra Thin Plastic Quad Flat, No Lead Package (JQ) - 4x4x0.5 mm Body [UQFN]

**Note:** For the most current package drawings, please see the Microchip Packaging Specification located at <http://www.microchip.com/packaging>



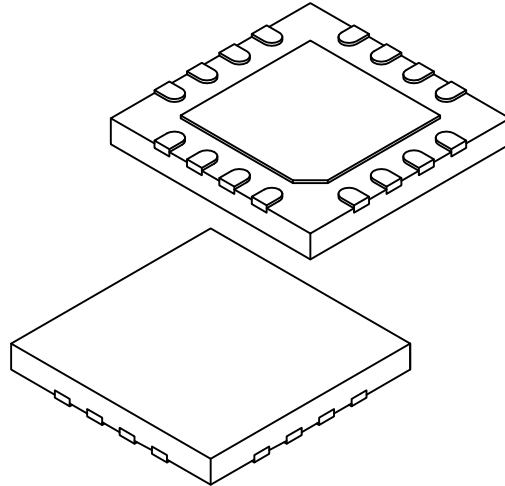
Microchip Technology Drawing C04-257A Sheet 1 of 2



# PIC16(L)F18313/18323

## 16-Lead Ultra Thin Plastic Quad Flat, No Lead Package (JQ) - 4x4x0.5 mm Body [UQFN]

**Note:** For the most current package drawings, please see the Microchip Packaging Specification located at <http://www.microchip.com/packaging>



		Units	MILLIMETERS		
Dimension Limits			MIN	NOM	MAX
Number of Pins	N		16		
Pitch	e		0.65 BSC		
Overall Height	A		0.45	0.50	0.55
Standoff	A1		0.00	0.02	0.05
Terminal Thickness	A3		0.127 REF		
Overall Width	E		4.00 BSC		
Exposed Pad Width	E2		2.50	2.60	2.70
Overall Length	D		4.00 BSC		
Exposed Pad Length	D2		2.50	2.60	2.70
Terminal Width	b		0.25	0.30	0.35
Terminal Length	L		0.30	0.40	0.50
Terminal-to-Exposed-Pad	K		0.20	-	-

**Notes:**

1. Pin 1 visual index feature may vary, but must be located within the hatched area.
2. Package is saw singulated
3. Dimensioning and tolerancing per ASME Y14.5M

BSC: Basic Dimension. Theoretically exact value shown without tolerances.

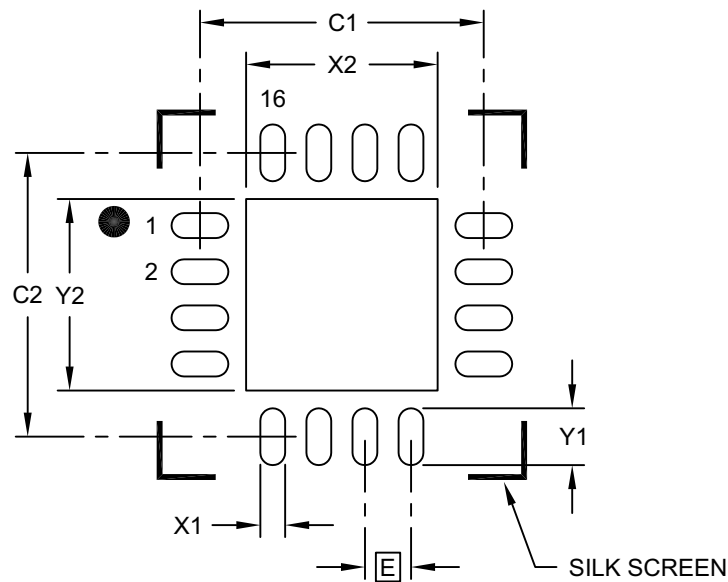
REF: Reference Dimension, usually without tolerance, for information purposes only.

Microchip Technology Drawing C04-257A Sheet 2 of 2

# PIC16(L)F18313/18323

## 16-Lead Ultra Thin Plastic Quad Flat, No Lead Package (JQ) - 4x4x0.5 mm Body [UQFN]

**Note:** For the most current package drawings, please see the Microchip Packaging Specification located at <http://www.microchip.com/packaging>



### RECOMMENDED LAND PATTERN

Dimension Limits	Units	MILLIMETERS		
		MIN	NOM	MAX
Contact Pitch	E	0.65 BSC		
Optional Center Pad Width	X2			2.70
Optional Center Pad Length	Y2			2.70
Contact Pad Spacing	C1		4.00	
Contact Pad Spacing	C2		4.00	
Contact Pad Width (X16)	X1			0.35
Contact Pad Length (X16)	Y1			0.80

**Notes:**

1. Dimensioning and tolerancing per ASME Y14.5M

BSC: Basic Dimension. Theoretically exact value shown without tolerances.

Microchip Technology Drawing C04-2257A

## APPENDIX A: DATA SHEET REVISION HISTORY

### **Revision A (07/2015)**

Initial release of the document.

### **Revision B (12/2016)**

Minor updates brought to Table 1-1; Table 1-2; Table 1-3; Added new Chapter 2 “Guidelines for Getting Started with PIC16(L)F183XX Microcontrollers”; Updated Figure 3-1; Added Section 4.1.1.3 “NVMREG Access”, Section 4.2.1 “BANK SELECTION”; Updated Table 6-1; Updated Figure 7-1; Updated Register 7-6; Updated Figure 8-2; Updated Register 9-1; Added Section 10.2.4 “WDT IS ALWAYS OFF”; Updated Table 11-2; Updated Example 11-4; Removed Example 11-5; Updated Figure 15-1; Updated Figure 18-2; Updated Figure 22-1; Updated Figure 29-1; Updated Figure 31-1.

### **Revision C (7/2017)**

Minor electrical specs updated, Char Graphs updated for IDD

### **Revision D (10/2017)**

Updated Register 30-4; Section 30.6; and Tables 6-5, 11-2, and 35-2.

# PIC16(L)F18313/18323

---

## THE MICROCHIP WEBSITE

Microchip provides online support via our website at [www.microchip.com](http://www.microchip.com). This website is used as a means to make files and information easily available to customers. Accessible by using your favorite Internet browser, the website contains the following information:

- **Product Support** – Data sheets and errata, application notes and sample programs, design resources, user's guides and hardware support documents, latest software releases and archived software
- **General Technical Support** – Frequently Asked Questions (FAQ), technical support requests, online discussion groups, Microchip consultant program member listing
- **Business of Microchip** – Product selector and ordering guides, latest Microchip press releases, listing of seminars and events, listings of Microchip sales offices, distributors and factory representatives

## CUSTOMER CHANGE NOTIFICATION SERVICE

Microchip's customer notification service helps keep customers current on Microchip products. Subscribers will receive e-mail notification whenever there are changes, updates, revisions or errata related to a specified product family or development tool of interest.

To register, access the Microchip website at [www.microchip.com](http://www.microchip.com). Under "Support", click on "Customer Change Notification" and follow the registration instructions.

## CUSTOMER SUPPORT

Users of Microchip products can receive assistance through several channels:

- Distributor or Representative
- Local Sales Office
- Field Application Engineer (FAE)
- Technical Support

Customers should contact their distributor, representative or Field Application Engineer (FAE) for support. Local sales offices are also available to help customers. A listing of sales offices and locations is included in the back of this document.

**Technical support is available through the website at: <http://www.microchip.com/support>**

# PIC16(L)F18313/18323

## PRODUCT IDENTIFICATION SYSTEM

To order or obtain information, e.g., on pricing or delivery, refer to the factory or the listed sales office.

PART NO.	[X] <sup>(1)</sup>	-	X	/XX	XXX
Device	Tape and Reel Option		Temperature Range	Package	Pattern
<p><b>Device:</b> PIC16F18313, PIC16LF18313, PIC16F18323, PIC16LF18323</p> <p><b>Tape and Reel Option:</b> Blank = Standard packaging (tube or tray) T = Tape and Reel<sup>(1)</sup></p> <p><b>Temperature Range:</b> I = -40°C to +85°C (Industrial) E = -40°C to +125°C (Extended)</p> <p><b>Package:<sup>(2)</sup></b> JQ = UQFN P = PDIP ST = TSSOP SL = SOIC-14 SN = SOIC-8 RF = UDFN</p> <p><b>Pattern:</b> QTP, SQTP, Code or Special Requirements (blank otherwise)</p>					
<p><b>Examples:</b></p> <p>a) PIC16LF18313- I/P Industrial temperature PDIP package</p> <p>b) PIC16F18313- E/SS Extended temperature, SSOP package</p> <p><b>Note 1:</b> Tape and Reel identifier only appears in the catalog part number description. This identifier is used for ordering purposes and is not printed on the device package. Check with your Microchip Sales Office for package availability with the Tape and Reel option.</p> <p><b>2:</b> Small form-factor packaging options may be available. Check <a href="http://www.microchip.com/packaging">www.microchip.com/packaging</a> for small-form factor package availability, or contact your local Sales Office.</p>					

---

---

**Note the following details of the code protection feature on Microchip devices:**

- Microchip products meet the specification contained in their particular Microchip Data Sheet.
- Microchip believes that its family of products is one of the most secure families of its kind on the market today, when used in the intended manner and under normal conditions.
- There are dishonest and possibly illegal methods used to breach the code protection feature. All of these methods, to our knowledge, require using the Microchip products in a manner outside the operating specifications contained in Microchip's Data Sheets. Most likely, the person doing so is engaged in theft of intellectual property.
- Microchip is willing to work with the customer who is concerned about the integrity of their code.
- Neither Microchip nor any other semiconductor manufacturer can guarantee the security of their code. Code protection does not mean that we are guaranteeing the product as "unbreakable."

Code protection is constantly evolving. We at Microchip are committed to continuously improving the code protection features of our products. Attempts to break Microchip's code protection feature may be a violation of the Digital Millennium Copyright Act. If such acts allow unauthorized access to your software or other copyrighted work, you may have a right to sue for relief under that Act.

Information contained in this publication regarding device applications and the like is provided only for your convenience and may be superseded by updates. It is your responsibility to ensure that your application meets your specifications. MICROCHIP MAKES NO REPRESENTATIONS OR WARRANTIES OF ANY KIND WHETHER EXPRESS OR IMPLIED, WRITTEN OR ORAL, STATUTORY OR OTHERWISE, RELATED TO THE INFORMATION, INCLUDING BUT NOT LIMITED TO ITS CONDITION, QUALITY, PERFORMANCE, MERCHANTABILITY OR FITNESS FOR PURPOSE. Microchip disclaims all liability arising from this information and its use. Use of Microchip devices in life support and/or safety applications is entirely at the buyer's risk, and the buyer agrees to defend, indemnify and hold harmless Microchip from any and all damages, claims, suits, or expenses resulting from such use. No licenses are conveyed, implicitly or otherwise, under any Microchip intellectual property rights unless otherwise stated.

*Microchip received ISO/TS-16949:2009 certification for its worldwide headquarters, design and wafer fabrication facilities in Chandler and Tempe, Arizona; Gresham, Oregon and design centers in California and India. The Company's quality system processes and procedures are for its PIC® MCUs and dsPIC® DSCs, KEELOQ® code hopping devices, Serial EEPROMs, microperipherals, nonvolatile memory and analog products. In addition, Microchip's quality system for the design and manufacture of development systems is ISO 9001:2000 certified.*

**QUALITY MANAGEMENT SYSTEM  
CERTIFIED BY DNV  
= ISO/TS 16949 =**

### Trademarks

The Microchip name and logo, the Microchip logo, AnyRate, AVR, AVR logo, AVR Freaks, BeaconThings, BitCloud, chipKIT, chipKIT logo, CryptoMemory, CryptoRF, dsPIC, FlashFlex, flexPWR, Heldo, JukeBlox, KEELOQ, KEELOQ logo, Kleer, LANCheck, LINK MD, maXStylus, maXTouch, MediaLB, megaAVR, MOST, MOST logo, MPLAB, OptoLyzer, PIC, picoPower, PICSTART, PIC32 logo, Prochip Designer, QTouch, RightTouch, SAM-BA, SpyNIC, SST, SST Logo, SuperFlash, tinyAVR, UNI/O, and XMEGA are registered trademarks of Microchip Technology Incorporated in the U.S.A. and other countries.

ClockWorks, The Embedded Control Solutions Company, EtherSynch, Hyper Speed Control, HyperLight Load, IntelliMOS, mTouch, Precision Edge, and Quiet-Wire are registered trademarks of Microchip Technology Incorporated in the U.S.A.

Adjacent Key Suppression, AKS, Analog-for-the-Digital Age, Any Capacitor, AnyIn, AnyOut, BodyCom, CodeGuard, CryptoAuthentication, CryptoCompanion, CryptoController, dsPICDEM, dsPICDEM.net, Dynamic Average Matching, DAM, ECAN, EtherGREEN, In-Circuit Serial Programming, ICSP, Inter-Chip Connectivity, JitterBlocker, KlearNet, KlearNet logo, Mindi, MiWi, motorBench, MPASM, MPF, MPLAB Certified logo, MPLIB, MPLINK, MultiTRAK, NetDetach, Omniscient Code Generation, PICDEM, PICDEM.net, PICkit, PICtail, PureSilicon, QMatrix, RightTouch logo, REAL ICE, Ripple Blocker, SAM-ICE, Serial Quad I/O, SMART-I.S., SQI, SuperSwitcher, SuperSwitcher II, Total Endurance, TSHARC, USBCheck, VariSense, ViewSpan, WiperLock, Wireless DNA, and ZENA are trademarks of Microchip Technology Incorporated in the U.S.A. and other countries.

SQTP is a service mark of Microchip Technology Incorporated in the U.S.A.

Silicon Storage Technology is a registered trademark of Microchip Technology Inc. in other countries.

GestIC is a registered trademark of Microchip Technology Germany II GmbH & Co. KG, a subsidiary of Microchip Technology Inc., in other countries.

All other trademarks mentioned herein are property of their respective companies.

© 2015-2017, Microchip Technology Incorporated, All Rights Reserved.

ISBN: 978-1-5224-2383-6



# MICROCHIP

## Worldwide Sales and Service

### AMERICAS

**Corporate Office**  
2355 West Chandler Blvd.  
Chandler, AZ 85224-6199  
Tel: 480-792-7200  
Fax: 480-792-7277  
Technical Support:  
<http://www.microchip.com/support>  
Web Address:  
[www.microchip.com](http://www.microchip.com)

**Atlanta**  
Duluth, GA  
Tel: 678-957-9614  
Fax: 678-957-1455

**Austin, TX**  
Tel: 512-257-3370

**Boston**  
Westborough, MA  
Tel: 774-760-0087  
Fax: 774-760-0088

**Chicago**  
Itasca, IL  
Tel: 630-285-0071  
Fax: 630-285-0075

**Dallas**  
Addison, TX  
Tel: 972-818-7423  
Fax: 972-818-2924

**Detroit**  
Novi, MI  
Tel: 248-848-4000

**Houston, TX**  
Tel: 281-894-5983

**Indianapolis**  
Noblesville, IN  
Tel: 317-773-8323  
Fax: 317-773-5453  
Tel: 317-536-2380

**Los Angeles**  
Mission Viejo, CA  
Tel: 949-462-9523  
Fax: 949-462-9608  
Tel: 951-273-7800

**Raleigh, NC**  
Tel: 919-844-7510

**New York, NY**  
Tel: 631-435-6000

**San Jose, CA**  
Tel: 408-735-9110  
Tel: 408-436-4270

**Canada - Toronto**  
Tel: 905-695-1980  
Fax: 905-695-2078

### ASIA/PACIFIC

**Asia Pacific Office**  
Suites 3707-14, 37th Floor  
Tower 6, The Gateway  
Harbour City, Kowloon

**Hong Kong**  
Tel: 852-2943-5100  
Fax: 852-2401-3431

**Australia - Sydney**  
Tel: 61-2-9868-6733  
Fax: 61-2-9868-6755

**China - Beijing**  
Tel: 86-10-8569-7000  
Fax: 86-10-8528-2104

**China - Chengdu**  
Tel: 86-28-8665-5511  
Fax: 86-28-8665-7889

**China - Chongqing**  
Tel: 86-23-8980-9588  
Fax: 86-23-8980-9500

**China - Dongguan**  
Tel: 86-769-8702-9880

**China - Guangzhou**  
Tel: 86-20-8755-8029

**China - Hangzhou**  
Tel: 86-571-8792-8115  
Fax: 86-571-8792-8116

**China - Hong Kong SAR**  
Tel: 852-2943-5100  
Fax: 852-2401-3431

**China - Nanjing**  
Tel: 86-25-8473-2460  
Fax: 86-25-8473-2470

**China - Qingdao**  
Tel: 86-532-8502-7355  
Fax: 86-532-8502-7205

**China - Shanghai**  
Tel: 86-21-3326-8000  
Fax: 86-21-3326-8021

**China - Shenyang**  
Tel: 86-24-2334-2829  
Fax: 86-24-2334-2393

**China - Shenzhen**  
Tel: 86-755-8864-2200  
Fax: 86-755-8203-1760

**China - Wuhan**  
Tel: 86-27-5980-5300  
Fax: 86-27-5980-5118

**China - Xian**  
Tel: 86-29-8833-7252  
Fax: 86-29-8833-7256

### ASIA/PACIFIC

**China - Xiamen**  
Tel: 86-592-2388138  
Fax: 86-592-2388130

**China - Zhuhai**  
Tel: 86-756-3210040  
Fax: 86-756-3210049

**India - Bangalore**  
Tel: 91-80-3090-4444  
Fax: 91-80-3090-4123

**India - New Delhi**  
Tel: 91-11-4160-8631  
Fax: 91-11-4160-8632

**India - Pune**  
Tel: 91-20-3019-1500

**Japan - Osaka**  
Tel: 81-6-6152-7160  
Fax: 81-6-6152-9310

**Japan - Tokyo**  
Tel: 81-3-6880-3770  
Fax: 81-3-6880-3771

**Korea - Daegu**  
Tel: 82-53-744-4301  
Fax: 82-53-744-4302

**Korea - Seoul**  
Tel: 82-2-554-7200  
Fax: 82-2-558-5932 or  
82-2-558-5934

**Malaysia - Kuala Lumpur**  
Tel: 60-3-6201-9857  
Fax: 60-3-6201-9859

**Malaysia - Penang**  
Tel: 60-4-227-8870  
Fax: 60-4-227-4068

**Philippines - Manila**  
Tel: 63-2-634-9065  
Fax: 63-2-634-9069

**Singapore**  
Tel: 65-6334-8870  
Fax: 65-6334-8850

**Taiwan - Hsin Chu**  
Tel: 886-3-5778-366  
Fax: 886-3-5770-955

**Taiwan - Kaohsiung**  
Tel: 886-7-213-7830

**Taiwan - Taipei**  
Tel: 886-2-2508-8600  
Fax: 886-2-2508-0102

**Thailand - Bangkok**  
Tel: 66-2-694-1351  
Fax: 66-2-694-1350

### EUROPE

**Austria - Wels**  
Tel: 43-7242-2244-39  
Fax: 43-7242-2244-393

**Denmark - Copenhagen**  
Tel: 45-4450-2828  
Fax: 45-4485-2829

**Finland - Espoo**  
Tel: 358-9-4520-820

**France - Paris**  
Tel: 33-1-69-53-63-20  
Fax: 33-1-69-30-90-79

**Germany - Garching**  
Tel: 49-8931-9700

**Germany - Haan**  
Tel: 49-2129-3766400

**Germany - Heilbronn**  
Tel: 49-7131-67-3636

**Germany - Karlsruhe**  
Tel: 49-721-625370

**Germany - Munich**  
Tel: 49-89-627-144-0  
Fax: 49-89-627-144-44

**Germany - Rosenheim**  
Tel: 49-8031-354-560

**Israel - Ra'anana**  
Tel: 972-9-744-7705

**Italy - Milan**  
Tel: 39-0331-742611  
Fax: 39-0331-466781

**Italy - Padova**  
Tel: 39-049-7625286

**Netherlands - Drunen**  
Tel: 31-416-690399  
Fax: 31-416-690340

**Norway - Trondheim**  
Tel: 47-7289-7561

**Poland - Warsaw**  
Tel: 48-22-3325737

**Romania - Bucharest**  
Tel: 40-21-407-87-50

**Spain - Madrid**  
Tel: 34-91-708-08-90  
Fax: 34-91-708-08-91

**Sweden - Gothenberg**  
Tel: 46-31-704-60-40

**Sweden - Stockholm**  
Tel: 46-8-5090-4654

**UK - Wokingham**  
Tel: 44-118-921-5800  
Fax: 44-118-921-5820

# Mouser Electronics

Authorized Distributor

Click to View Pricing, Inventory, Delivery & Lifecycle Information:

## Microchip:

[PIC16LF18313-E/SN](#) [PIC16LF18323-E/SL](#) [PIC16LF18323-I/JQ](#) [PIC16F18323-E/JQ](#) [PIC16LF18313T-I/RF](#)  
[PIC16F18313-I/RF](#) [PIC16F18323-I/JQ](#) [PIC16LF18313-I/SN](#) [PIC16LF18313-I/RF](#) [PIC16LF18313-I/P](#) [PIC16F18313T-](#)  
[I/RF](#) [PIC16LF18313-E/RF](#) [PIC16LF18323-E/JQ](#) [PIC16F18313-E/RF](#) [PIC16F18323T-I/JQ](#) [PIC16LF18323-I/ST](#)  
[PIC16LF18323T-I/SL](#) [PIC16LF18313T-I/SN](#) [PIC16LF18323-E/ST](#) [PIC16LF18323-I/P](#) [PIC16LF18313-E/P](#)  
[PIC16LF18323T-I/ST](#) [PIC16LF18323-E/P](#) [PIC16LF18323-I/SL](#) [PIC16LF18323T-I/JQ](#) [PIC16F18313-E/MF](#)  
[PIC16F18313-E/MS](#) [PIC16F18313-E/P](#) [PIC16F18313-E/SN](#) [PIC16F18313-I/MS](#) [PIC16F18313T-I/MS](#) [PIC16F18323-](#)  
[E/P](#) [PIC16F18323-E/SL](#) [PIC16F18323-E/ST](#) [PIC16F18323-I/SL](#) [PIC16F18313-I/SN](#) [PIC16F18313-I/P](#) [PIC16F18323-](#)  
[I/P](#) [PIC16F18323-I/ST](#) [PIC16F18323T-I/SL](#) [PIC16F18323T-I/ST](#) [PIC16F18313T-I/SN](#) [PIC16F18323T-E/STVAO](#)  
[PIC16F18323-E/SLVAO](#) [PIC16F18313-I/SNVAO](#) [PIC16F18323-I/SLVAO](#) [PIC16F18323T-I/SLVAO](#) [PIC16F18313-](#)  
[E/SNVAO](#) [PIC16F18323T-E/SLVAO](#) [PIC16F18313T-I/SNVAO](#) [PIC16F18323-E/STVAO](#) [PIC16F18313T-E/SNVAO](#)