

THE INFORMATION CONTAINED HEREIN IS CONSIDERED "PROPRIETARY" TO BEL FUSE INC. AND SHALL NOT BE COPIED, REPRODUCED OR DISCLOSED WITHOUT THE WRITTEN APPROVAL OF BEL FUSE INC.

RoHS



ELECTRICAL CHARACTERISTICS @ 25°C

URNS RATIO

| | |
|-----|---------------|
| TP1 | 1CT : 1CT ±2% |
| TP2 | 1CT : 1CT ±2% |
| TP3 | 1CT : 1CT ±2% |
| TP4 | 1CT : 1CT ±2% |

□CL @ 100kHz/100mVRMS

8mA DC BIAS 350μH MIN.

INS. LOSS

| | |
|------------------|-------------|
| 0.1MHz TO 1MHz | -1.1 dB MAX |
| 1MHz TO 65MHz | -0.5 dB MAX |
| 65MHz TO 100MHz | -0.8 dB MAX |
| 100MHz TO 125MHz | -1.2 dB MAX |

RET. LOSS (MIN)

| | |
|--------------|-----------------------|
| 0.5MHz-40MHz | -18 dB |
| 40MHz-100MHz | -12+20LOG(f/80MHz) dB |

CM TO CM REJ

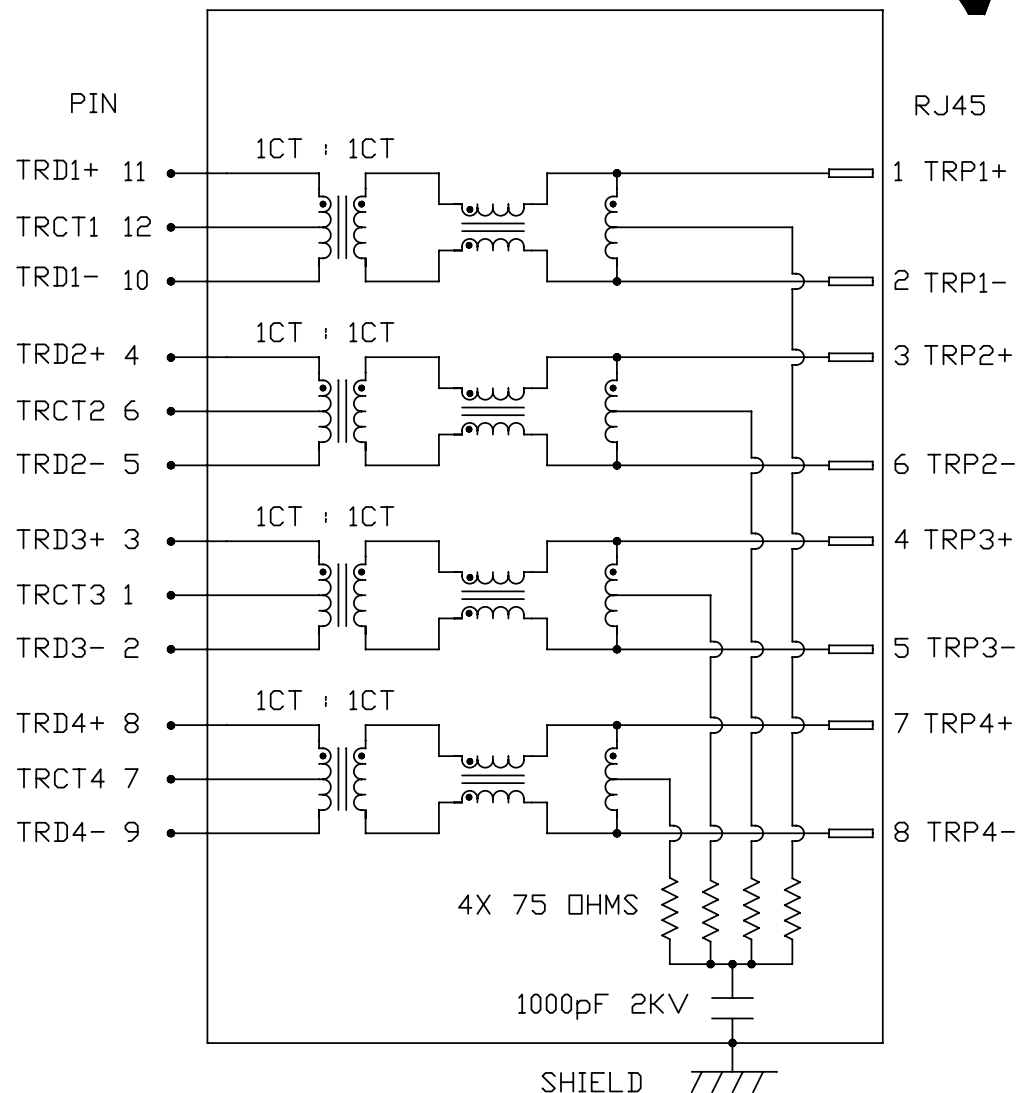
100kHz - 100MHz -30 dB MIN

CM TO DM REJ

100kHz - 100MHz -35 dB MIN

HIPOT (Isolation Voltage): 1500 Vrms or 2250VDC
 100% OF PRODUCTION TESTED TO COMPLY WITH
 IEEE 802.3 ISOLATION REQUIREMENTS.

SCHEMATIC

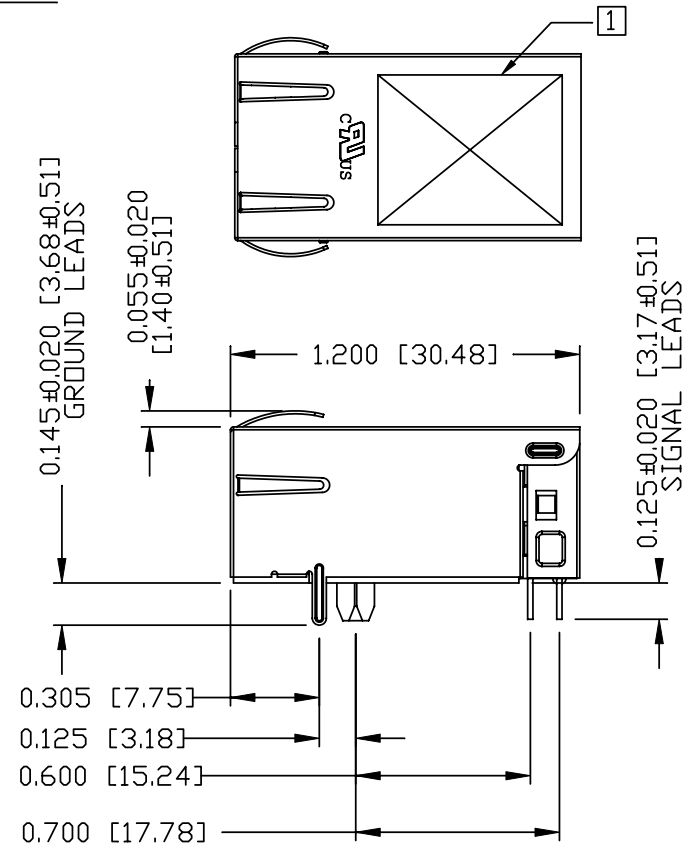
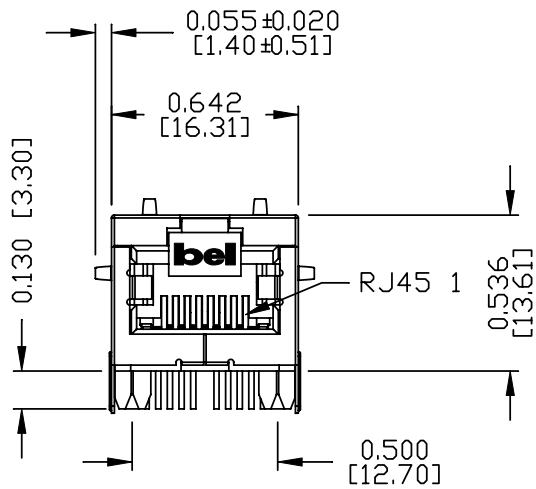


| | | | | | | |
|--------------------------------|--------------------|--|--|-------------------------------|------------------------------|---|
| ORIGINATED BY CHOW WANCHUNG | DATE 2012-08-03 | TITLE gigabit MagJack® (12 Cores, Tab Up, w/o LED) | PART NO. / DRAWING NO. 08161X1T23-F | STANDARD DIM. TOL. IN INCH | [] METRIC DIM. AS REFERENCE | <p>COMPONENTS OR A CONNECTED PLANET</p> |
| DRAWN BY TAN QIGUANG | DATE 2012-08-03 | FILE NAME 08161X1T23-F_C.DWG | .X | UNIT : INCH [mm] | REV. : C | |
| | | PATENTED | .XX | SCALE : N/A | SIZE : A4 | |
| | | | .XXX | | PAGE : 2 | |

THE INFORMATION CONTAINED HEREIN IS CONSIDERED "PROPRIETARY" TO BEL FUSE INC. AND SHALL NOT BE COPIED, REPRODUCED OR DISCLOSED WITHOUT THE WRITTEN APPROVAL OF BEL FUSE INC.

MECHANICAL SPECIFICATION

RoHS



NOTES:

- PLASTIC HOUSING: THERMOPLASTIC PA
FLAMMABILITY RATING UL 94V-0
- CONTACTS: 50 MICRO-INCH HARD GOLD PLATING OR EQUIVALENT.
- OUTPUT PINS: TIN-COATED COPPER WIRE, DIA 0.016 AND DIA 0.018 INCH.
- METAL SHIELD: NICKEL PLATED ON COPPER ALLOY.
(ALL GROUND LEADS ARE SOLDER DIPPED)

[1] MARK PART WITH MFG LOGO, MFG NAME, PART NUMBER, DATE CODE AND PATENTED.

UL US UL RECOGNIZED - FILE #E196366 AND E169987.

- 2. THE PRODUCT IS RoHS COMPLIANT.
- 3. JACK CAVITY CONFORMS TO FCC RULES AND REGULATIONS.
- 4. THE PRODUCT IS PATENTED. THE PATENT NUMBER IS U.S. PAT. 5,736,910.

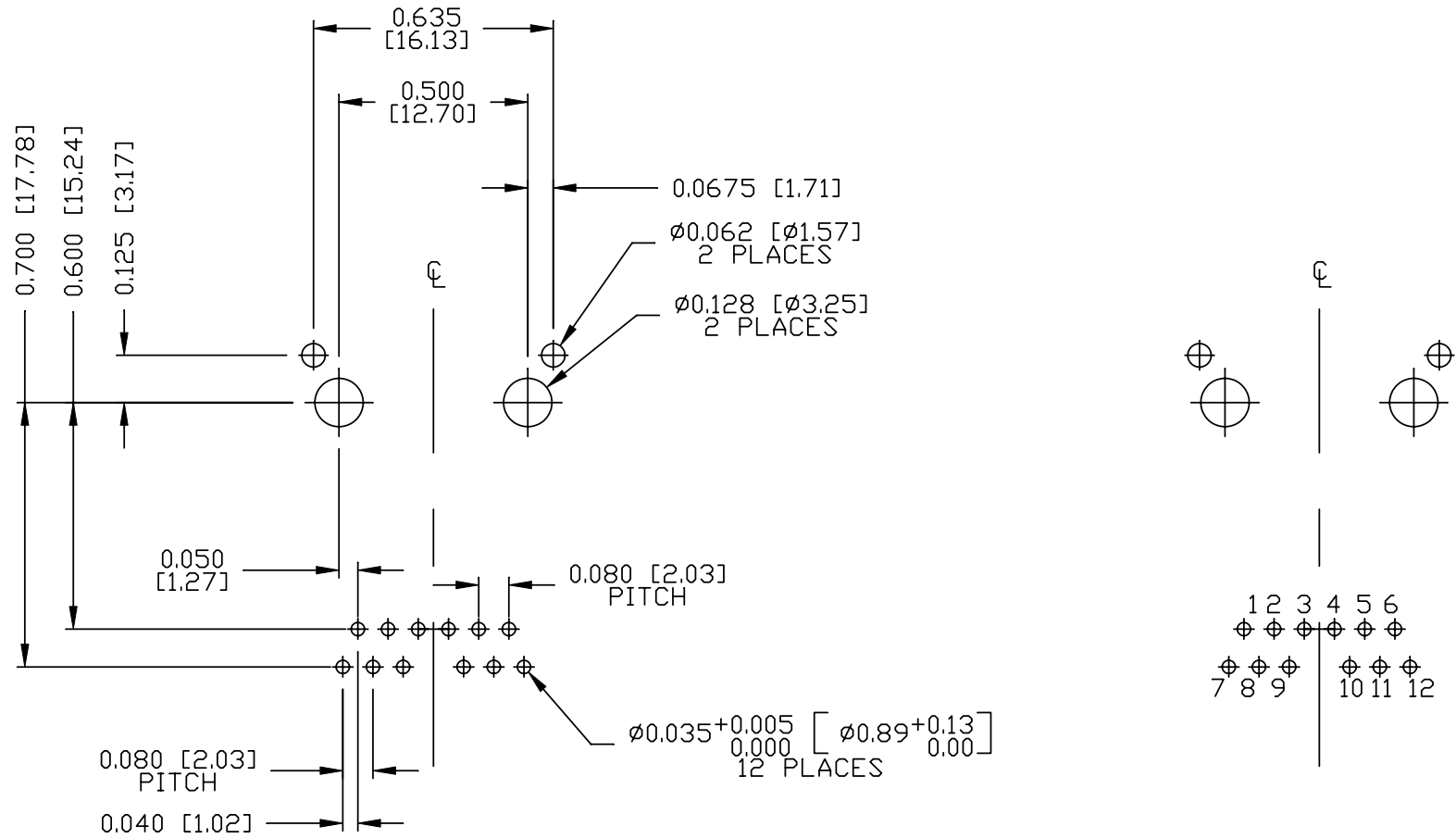
| | | | | | | | | |
|-----------------------------|--------------------|--|--|----------------------------|--------|------------------------------|-----------|--|
| ORIGINATED BY ANTON LIAD | DATE 2012-08-03 | TITLE gigabit MagJack® (12 Cores, Tab Up, w/o LED) | PART NO. / DRAWING NO. 08161X1T23-F | STANDARD DIM. TOL. IN INCH | | [] METRIC DIM. AS REFERENCE | | |
| | | | | .X | | UNIT : INCH [mm] | REV. : C | |
| DRAWN BY HE ZHEN | DATE 2012-08-03 | PATENTED | FILE NAME 08161X1T23-F_C.DWG | .XX | | SCALE : N/A | SIZE : A4 | |
| | | | | .XXX | ±0.010 | | PAGE : 3 | |

THE INFORMATION CONTAINED HEREIN IS CONSIDERED "PROPRIETARY" TO BEL FUSE INC. AND SHALL NOT BE COPIED, REPRODUCED OR DISCLOSED WITHOUT THE WRITTEN APPROVAL OF BEL FUSE INC.

RoHS



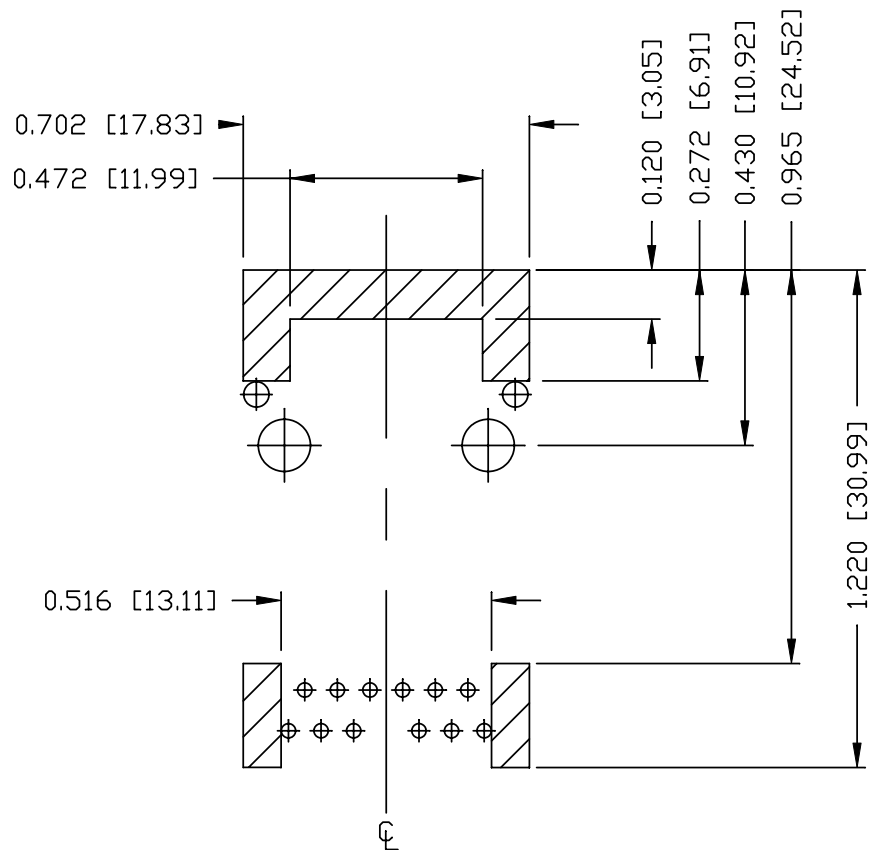
RECOMMENDED PCB FOOTPRINT
COMPONENT SIDE VIEW



| | | | | | | | | |
|-----------------------------|--------------------|--|--|---------------|---|------------------------------|-----------|--|
| ORIGINATED BY ANTON LIAO | DATE 2012-08-03 | TITLE glgabit MagJack® (12 Cores, Tab Up, w/o LED) | PART NO. / DRAWING NO. 08161X1T23-F | STANDARD DIM. | | [] METRIC DIM. AS REFERENCE | | bel COMPONENTS FOR A CONNECTED PLANET |
| | | | | TOL. IN INCH | | UNIT : INCH [mm] | REV. : C | |
| DRAWN BY HE ZHEN | DATE 2012-08-03 | 0816-1X1T-23-F PATENTED | FILE NAME 08161X1T23-F_C.DWG | .X | / | SCALE : N/A | SIZE : A4 | PAGE : 4 |
| | | | | .XX | | ±0.004 | | |

THE INFORMATION CONTAINED HEREIN IS CONSIDERED "PROPRIETARY" TO BEL FUSE INC. AND SHALL NOT BE COPIED, REPRODUCED OR DISCLOSED WITHOUT THE WRITTEN APPROVAL OF BEL FUSE INC.

RoHS



NOTES

THE SHADED AREA ON THE CUSTOMER BOARD ARE RECOMMENDED TO BE CLEAR OFF ANY VIA HOLE OR COMPONENT PAD.

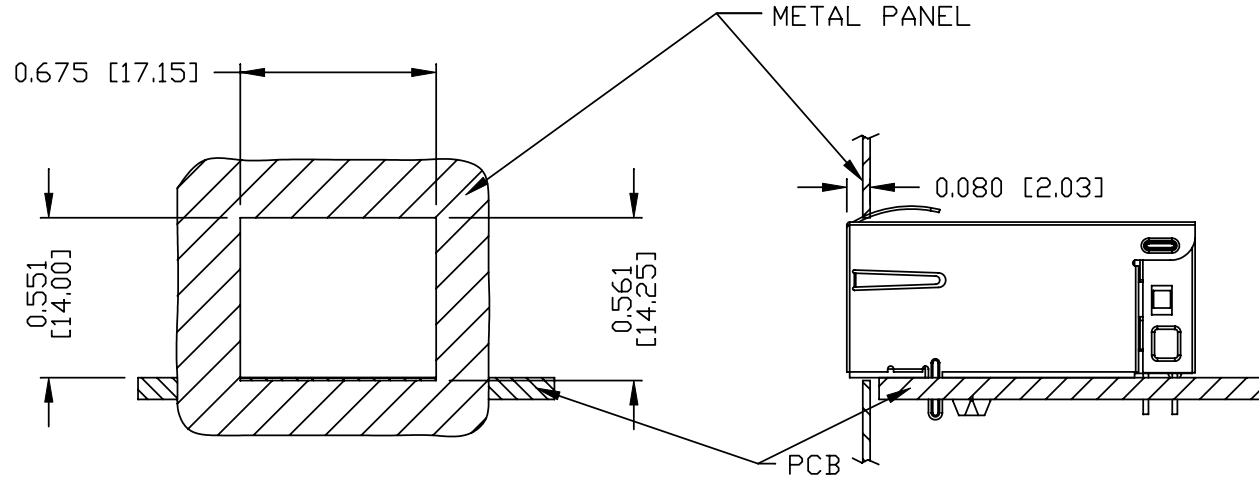
| | | | | | | | | | |
|-----------------------------|--------------------|--|--|--|-------------------------------|--------|------------------------------|-----------|---|
| ORIGINATED BY ANTON LIAO | DATE 2012-08-03 | TITLE gigabit MagJack® (12 Cores, Tab Up, w/o LED) | PART NO. / DRAWING NO. 08161X1T23-F | | STANDARD DIM. TOL. IN INCH | | [] METRIC DIM. AS REFERENCE | | COMPONENTS FOR A CONNECTED PLANET |
| | | | FILE NAME 08161X1T23-F_C.DWG | | .X | | UNIT : INCH [mm] | REV. : C | |
| DRAWN BY HE ZHEN | DATE 2012-08-03 | PATENTED | | | .XX | | SCALE : N/A | SIZE : A4 | PAGE : 5 |
| | | | | | .XXX | ±0.004 | | | |

THE INFORMATION CONTAINED HEREIN IS CONSIDERED "PROPRIETARY" TO BEL FUSE INC. AND SHALL NOT BE COPIED, REPRODUCED OR DISCLOSED WITHOUT THE WRITTEN APPROVAL OF BEL FUSE INC.

RoHS



SUGGESTED PANEL OPENING



NOTE:

THE DISTANCE OF PANEL INSIDE SURFACE RELATIVE TO FRONT SURFACE OF PART IS ONLY A SUGGESTION. IN CASE THIS DISTANCE IS DIFFERENT, THE REQUIRED PANEL OPENING DIMENSIONS CHANGE ACCORDINGLY.

PACKING INFORMATION

PACKING TRAY : 0200-9999-F1 (TOP)
0200-9999-F2 (BOTTOM)

PACKING QUANTITY : 40 PCS FINISHED GOODS PER TRAY
10 TRAYS (400 PCS FINISHED GOODS) PER CARTON BOX

NOTE : CARDBOARDS ARE PLACED BETWEEN LAYERS OF PACKING TRAY INSIDE CARTON BOX
(INCLUDE THE UPPERMOST AND LOWERMOST TRAY)

| | | | | | | | | |
|-----------------------------|--------------------|--|--|---------------|---|------------------------------|-----------|---|
| ORIGINATED BY ANTON LIAO | DATE 2012-08-03 | TITLE gigabit MagJack® (12 Cores, Tab Up, w/o LED) | PART NO. / DRAWING NO. 08161X1T23-F | STANDARD DIM. | | [] METRIC DIM. AS REFERENCE | | bel |
| | | | | TOL. IN INCH | | UNIT : INCH [mm] | REV. : C | |
| DRAWN BY HE ZHEN | DATE 2012-08-03 | 0816-1X1T-23-F PATENTED | FILE NAME 08161X1T23-F_C.DWG | .X | / | SCALE : N/A | SIZE : A4 | COMPONENTS FOR A CONNECTED PLANET |
| | | | | .XX | | ⊕ | PAGE : 6 | |
| | | | | .XXX | | ±0.004 | | |

Mouser Electronics

Authorized Distributor

Click to View Pricing, Inventory, Delivery & Lifecycle Information:

Bel:

[0816-1X1T-23-F](#)