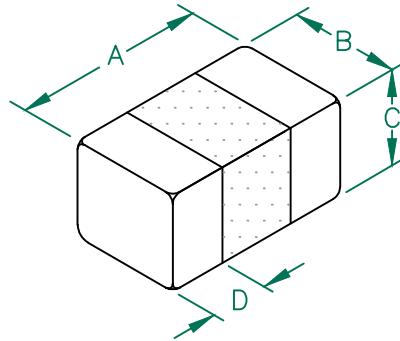


# LI0402D121R-10

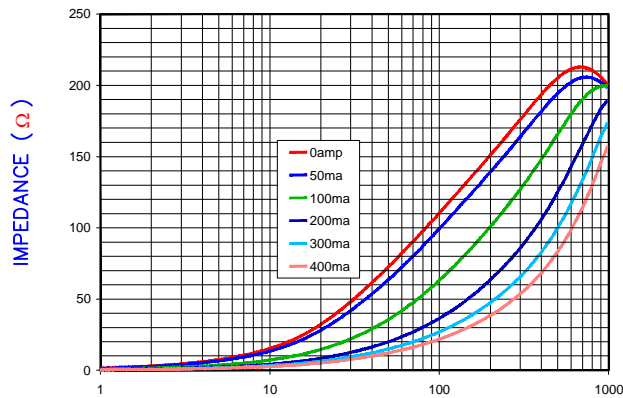
## PHYSICAL DIMENSIONS:

A	1.01 [.040]	+/-	0.18 [.007]
B	0.50 [.020]	+/-	0.20 [.008]
C	0.50 [.020]	+/-	0.20 [.008]
D	0.30 [.012]	+/-	MAX.



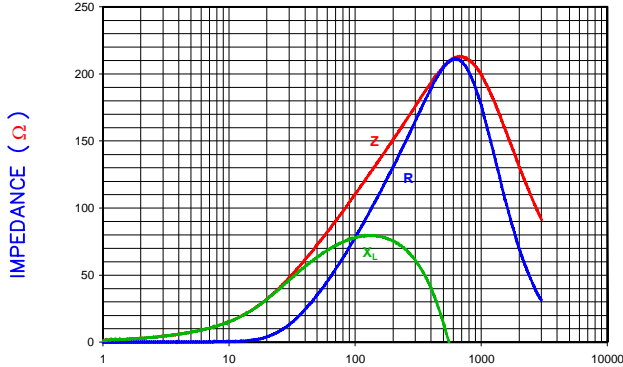
ELECTRICAL CHARACTERISTICS:		
Z @ 100MHz (Ω)	DCR (Ω)	Rated Current
Nominal	120	
Minimum	90	
Maximum	150	400 mA

Z vs FREQUENCY  
IMPEDANCE UNDER DC BIAS



FREQUENCY (MHz)

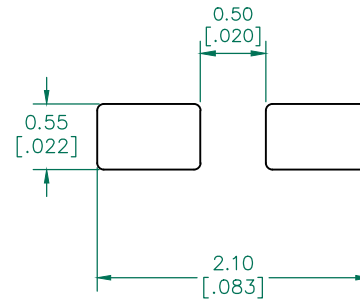
|Z|, R, AND X vs. FREQUENCY



FREQUENCY (MHz)

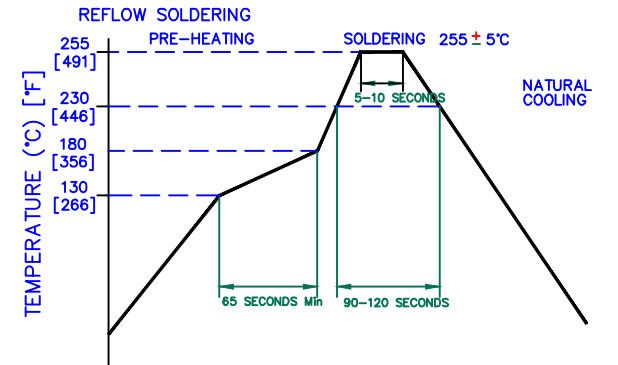
Z R X<sub>L</sub>

## LAND PATTERNS FOR REFLOW SOLDERING



(For wave soldering, add 0.762 [.030] to this dimension.)

## RECOMMENDED SOLDERING CONDITIONS



## NOTES: UNLESS OTHERWISE SPECIFIED

1. TAPED AND REELED per CURRENT EIA SPECIFICATIONS 7" REELS, 10,000 PCS/REEL, PAPER TAPE.
2. TERMINATION FINISH IS 100% TIN.
3. COMPONENTS SHOULD BE ADEQUATELY PREHEATED BEFORE SOLDERING.
4. OPERATING TEMPERATURE TEMP: -55°C~+125°C (INCLUDING SELF-HEATING)
5. COSMETIC SPECIFICATION REFER TO WI-QA-124.

## DIMENSIONS ARE IN mm [INCHES].

This print is the property of Laird Tech. and is loaned in confidence subject to return upon request and with the understanding that no copies shall be made without the written consent of Laird Tech. All rights to design or invention are reserved.						
F	UPDATED NOTE 4	01/12/18	QU			REV
E	ADD OPERATING TEMPERATURE UPDATE LAIRD LOGO AND REFLOW CURVE	08/05/13	QU	F	CO-FIRE	TMB
D	UPDATE COMPANY LOGO	07/08/08	JRK	PROJECT/PART NUMBER: LI0402D121R-10		
C	CHG REEL QTY ADD PAPER TAPE TO NOTE #1 UPDATE COMPANY LOGO	12/14/07	JRK	SCALE: NTS		
B	CORRECT REF # FROM 3289 TO 3298	07/22/05	JRK	DATE: 04/05/04	SHEET: 1 of 1	
A	ORIGINAL DRAFT	04/05/04	TMB	CAD #	TOOL #	
REV	DESCRIPTION	DATE	INT	LI0402D121R-10-F		

RoHS

# Mouser Electronics

Authorized Distributor

Click to View Pricing, Inventory, Delivery & Lifecycle Information:

[Laird Performance Materials:](#)

[LI0402D121R-10](#)