

DATA SHEET

OLS2449: Dual Channel, Radiation Tolerant, Phototransistor Hermetic Surface Mount Optocoupler

Features

- Same reliable processing and construction as the OLS049, but with a higher current transfer ratio (CTR)
- CTR is:
 - Guaranteed over $-55\text{ }^{\circ}\text{C}$ to $+100\text{ }^{\circ}\text{C}$ ambient temperature range
 - High at low LED currents
- High BV_{CE0} , 65V minimum
- 1500 V_{DC} electrical isolation
- High-reliability screening is available

Description

The OLS2449 is specifically designed for high-reliability applications that require optical isolation in radiation environments such as gamma, neutron, and proton radiation with high CTR and low saturation V_{CE} . Each optocoupler channel consists of an LED and N-P-N silicon phototransistor that is electrically isolated, but optically coupled inside a hermetic eight-pin Leadless Chip Carrier (LCC) package.

The electrical parameters are similar the JEDEC registered 4N49U optocoupler, but with a higher CTR and better CTR degradation characteristics due to radiation exposure.

The OLS2449 has 100 percent high-reliability screening parts available (contact Isolink for more information).

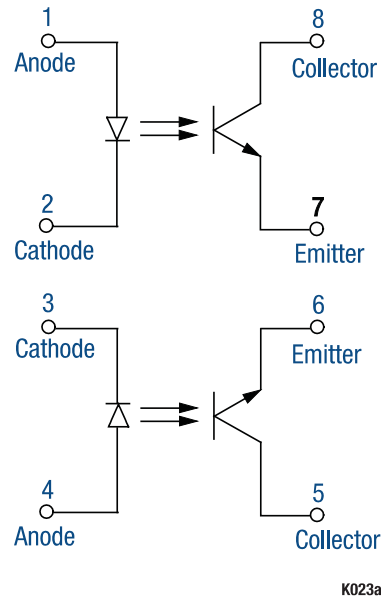


Figure 1. OLS2449 Block Diagram

Figure 1 shows the OLS2449 functional block diagram. Table 1 provides the OLS2449 absolute maximum ratings. Table 2 provides the OLS2449 electrical specifications.

Figures 2 through 4 illustrate the OLS2449 typical performance characteristics. Figure 5 shows the OLS2449 switching test circuit. Figure 6 provides the OLS2449 package dimensions.

Table 1. OLS2449 Absolute Maximum Ratings (Note 1)

Parameter	Symbol	Minimum	Maximum	Units
Coupled				
Input to output isolation voltage (Note 2)	V _{DC}	-1500	+1500	V
Channel to channel isolation voltage (Note 3)		-500	+500	V
Storage temperature range	T _{STG}	-65	+150	°C
Operation temperature range	T _A	-55	+125	°C
Lead temperature for 10 seconds			240	°C
Input Diode				
Average input current (Note 4)	I _{DD}		40	mA
Peak forward current	I _F		1	A
Reverse voltage	V _R		2	V
Power dissipation	P _D		70	mW
Output Detector				
Collector to emitter voltage	V _{CE}		65	V
Emitter to collector voltage	V _{EC}		5	V
Continuous collector current	I _{CC}		50	mA
Power dissipation (Note 5)	P _D		300	mW

Note 1: Exposure to maximum rating conditions for extended periods may reduce device reliability. There is no damage to device with only one parameter set at the limit and all other parameters set at or below their nominal value. Exceeding any of the limits listed here may result in permanent damage to the device.

Note 2: Measured between pins 1, 2, 3, and 4 shorted together, and pins 5, 6, 7, and 8 shorted together. T_A = 25 °C and duration = 1 s.

Note 3: Measured between pins 1, 2, 7, and 8 shorted together, and pins 3, 4, 5, and 6 shorted together. T_A = 25 °C and duration = 1 s.

Note 4: Value applies for P_w ≤ 1 μs, PRR ≤ 300 pps.

Note 5: Derate linearly at 3 mW/°C above 25 °C.

CAUTION: Although this device is designed to be as robust as possible, electrostatic discharge (ESD) can damage this device. This device must be protected at all times from ESD. Static charges may easily produce potentials of several kilovolts on the human body or equipment, which can discharge without detection. Industry-standard ESD precautions should be used at all times.

Table 2. OLS2449 Electrical Specifications (Each Channel) (Note 1)
(T_A = 25 °C, Unless Otherwise Noted)

Parameter	Symbol	Test Condition	Min	Max	Units
On-state collector current	I _{C_ON}	I _F = 1 mA, V _{CE} = 5 V	15	40	mA
		I _F = +1 mA, V _{CE} = +5 V, T _A = -55 °C	+7		mA
		I _F = 1 mA, V _{CE} = 5 V, T _A = 100 °C	7		mA
Saturation voltage	V _{CE_SAT}	I _F = 1.0 mA, I _C = 5.0 mA		0.3	V
Breakdown voltage:					
Collector to emitter	BV _{CEO}	I _{CE} = 1 mA	65		V
Emitter to collector	BV _{ECO}	I _{EC} = 100 μA	5		V
Off-state leakage current, collector to emitter	I _{CE_OFF}	V _{CE} = 20 V	100		nA
		V _{CE} = 20 V, T _A = 100 °C	50		μA
Input:					
Forward voltage	V _F	I _F = +10.0 mA, T _A = -55 °C	+1.3	+1.9	V
		I _F = 10.0 mA	1.2	1.7	V
		I _F = 10.0 mA, T _A = 100 °C	1.1	1.6	V
Reverse current	I _R	V _R = 2 V		100	μA
Output resistance (Note 2)	R _{L_0}	V _{L_0} = ±1500 V _{DC}	10 ¹¹		Ω
Output capacitance (Note 2)	C _{L_0}	V _{L_0} = 0 V, f = 1 MHz		5	pF
Time:					
Rise	t _r	V _{CC} = 10 V, R _L = 100 Ω		25	μs
Fall	t _f	I _F = 5 mA		25	μs

Note 1: Performance is guaranteed only under the conditions listed in the above table.

Note 2: Measured between pins 1, 2, 3, and 4 shorted together, and pins 5, 6, 7, and 8 shorted together. T_A = 25 °C and duration = 1 s.

Typical Performance Characteristics

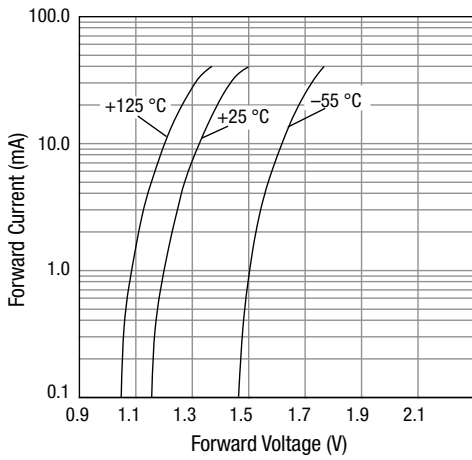


Figure 2. Forward Current vs Diode Forward Voltage

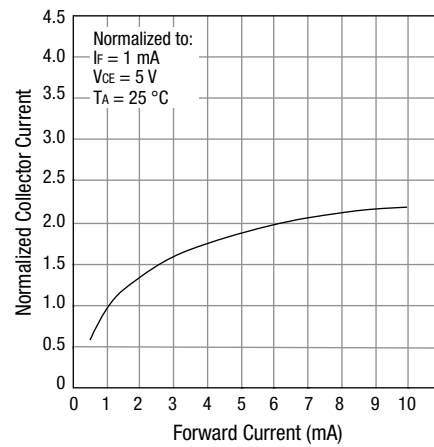


Figure 3. Normalized Collector Current vs Forward Current

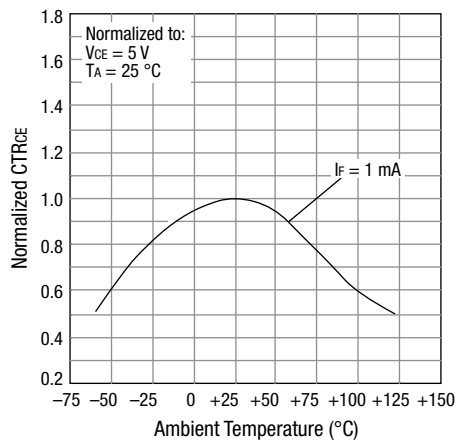


Figure 4. Normalized CTRce vs Temperature

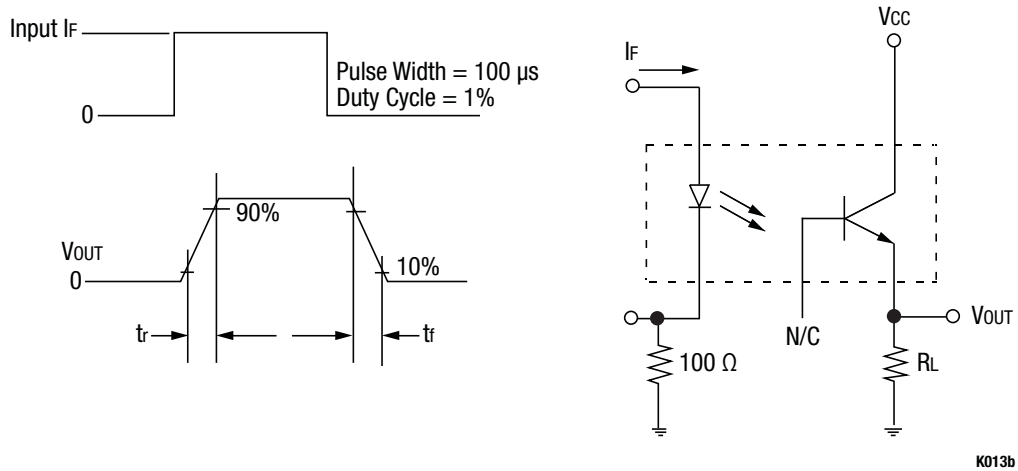


Figure 5. OLS2449 Switching Test Circuit

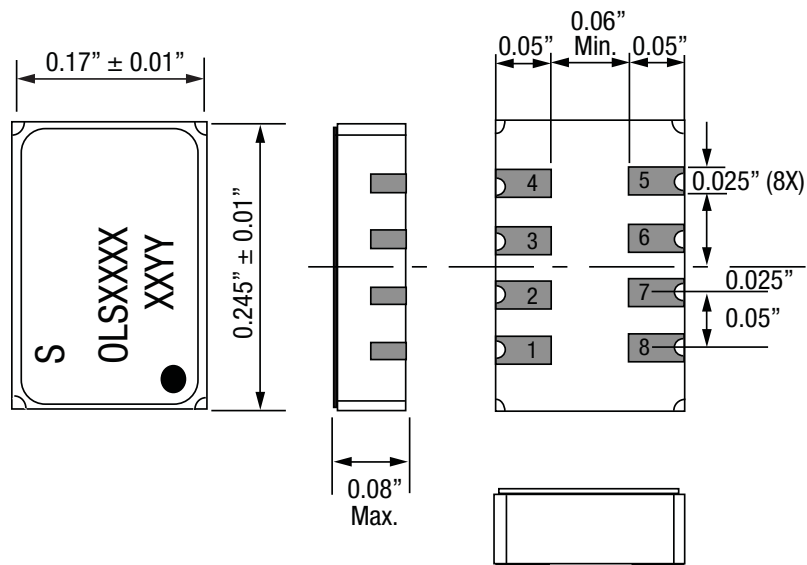


Figure 6. OLS2449 Package Dimensions

Ordering Information

Model Name	Manufacturing Part Number
OLS2449: Dual Channel, Radiation Tolerant, Phototransistor Hermetic Surface Mount Optocoupler	OLS2449

Copyright © 2012-2015, 2017 Isolink, Inc. All Rights Reserved.

Information in this document is provided in connection with Isolink, Inc. ("Isolink"), a wholly-owned subsidiary of Skyworks Solutions, Inc. These materials, including the information contained herein, are provided by Isolink as a service to its customers and may be used for informational purposes only by the customer. Isolink assumes no responsibility for errors or omissions in these materials or the information contained herein. Isolink may change its documentation, products, services, specifications or product descriptions at any time, without notice. Isolink makes no commitment to update the materials or information and shall have no responsibility whatsoever for conflicts, incompatibilities, or other difficulties arising from any future changes.

No license, whether express, implied, by estoppel or otherwise, is granted to any intellectual property rights by this document. Isolink assumes no liability for any materials, products or information provided hereunder, including the sale, distribution, reproduction or use of Isolink products, information or materials, except as may be provided in Isolink Terms and Conditions of Sale.

THE MATERIALS, PRODUCTS AND INFORMATION ARE PROVIDED "AS IS" WITHOUT WARRANTY OF ANY KIND, WHETHER EXPRESS, IMPLIED, STATUTORY, OR OTHERWISE, INCLUDING FITNESS FOR A PARTICULAR PURPOSE OR USE, MERCHANTABILITY, PERFORMANCE, QUALITY OR NON-INFRINGEMENT OF ANY INTELLECTUAL PROPERTY RIGHT; ALL SUCH WARRANTIES ARE HEREBY EXPRESSLY DISCLAIMED. ISOLINK DOES NOT WARRANT THE ACCURACY OR COMPLETENESS OF THE INFORMATION, TEXT, GRAPHICS OR OTHER ITEMS CONTAINED WITHIN THESE MATERIALS. ISOLINK SHALL NOT BE LIABLE FOR ANY DAMAGES, INCLUDING BUT NOT LIMITED TO ANY SPECIAL, INDIRECT, INCIDENTAL, STATUTORY, OR CONSEQUENTIAL DAMAGES, INCLUDING WITHOUT LIMITATION, LOST REVENUES OR LOST PROFITS THAT MAY RESULT FROM THE USE OF THE MATERIALS OR INFORMATION, WHETHER OR NOT THE RECIPIENT OF MATERIALS HAS BEEN ADVISED OF THE POSSIBILITY OF SUCH DAMAGE.

Customers are responsible for their products and applications using Isolink products, which may deviate from published specifications as a result of design defects, errors, or operation of products outside of published parameters or design specifications. Customers should include design and operating safeguards to minimize these and other risks. Isolink assumes no liability for applications assistance, customer product design, or damage to any equipment resulting from the use of Isolink products outside of stated published specifications or parameters.

Isolink is a trademark of Isolink Inc. in the United States and other countries. Skyworks and the Skyworks symbol are trademarks or registered trademarks of Skyworks Solutions, Inc., in the United States and other countries. Third-party brands and names are for identification purposes only, and are the property of their respective owners.

Mouser Electronics

Authorized Distributor

Click to View Pricing, Inventory, Delivery & Lifecycle Information:

[Skyworks:](#)

[OLS2449](#)