

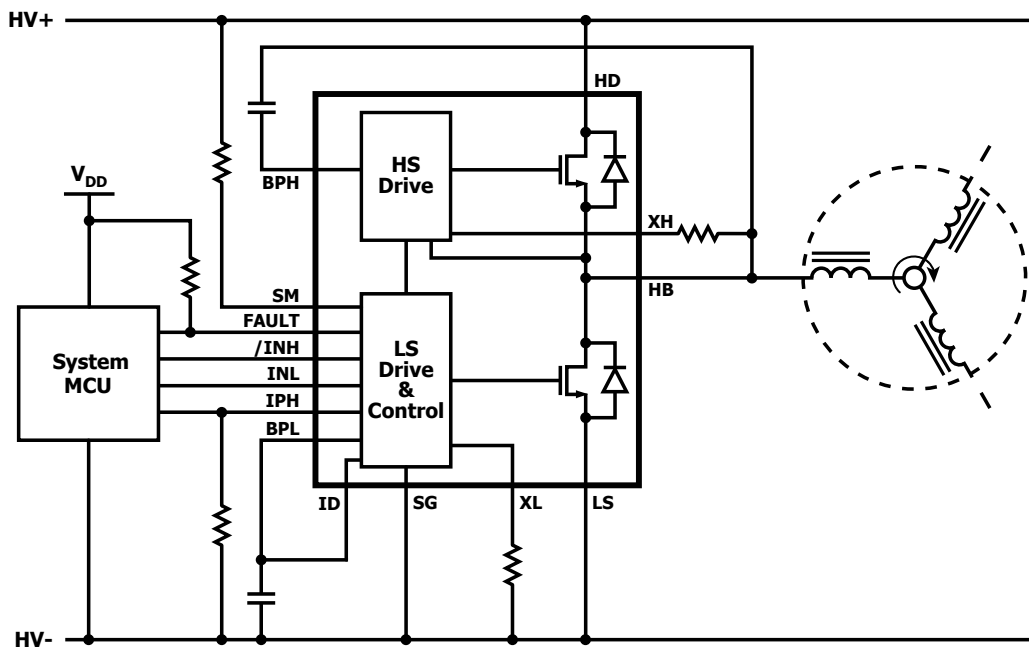
BridgeSwitch™



Key Features

- Up to 98.5% efficient — no heatsinks
- Fully integrated half-bridge stage
- Hard-wired protection simplifies software
- Superior thermal performance
- Works with any microcontroller

High-Voltage, Self-Powered, Half-Bridge Motor Driver



PI-8314-091718

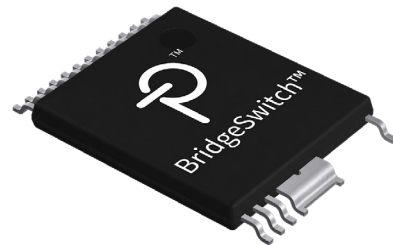
Applications

- 2- or 3-phase high-voltage PM and BLDC motor drives
- HVAC systems and condenser fans in high-efficiency air conditioners
- White goods / appliances (dishwashers, refrigerators, range hoods, etc.)
- Factory automation equipment

Output Power

Part Number	DC Output Current (A)	Continuous RMS Current (A)
BRD1160C BRD1260C	1.0	0.22
BRD1161C BRD1261C	1.7	0.50
BRD1163C BRD1263C	3.0	0.75
BRD1165C BRD1265C	5.5	1.00

BRD126xC: Includes positive phase current output



InSOP-24C Package

Design Support

- Data Sheet: BridgeSwitch data sheet (<http://bit.ly/2ywneVQ>)
- Reference Design: 300 W full motor drive development platform (DER-653) (<http://bit.ly/2A4y3Ah>)
- Reference Design: 300 W stand-alone inverter (DER-654) (<http://bit.ly/2OVfCpS>)
- Reference Design: 40 W AC fan motor drive (DER-749) (<http://bit.ly/2C7fwox>)