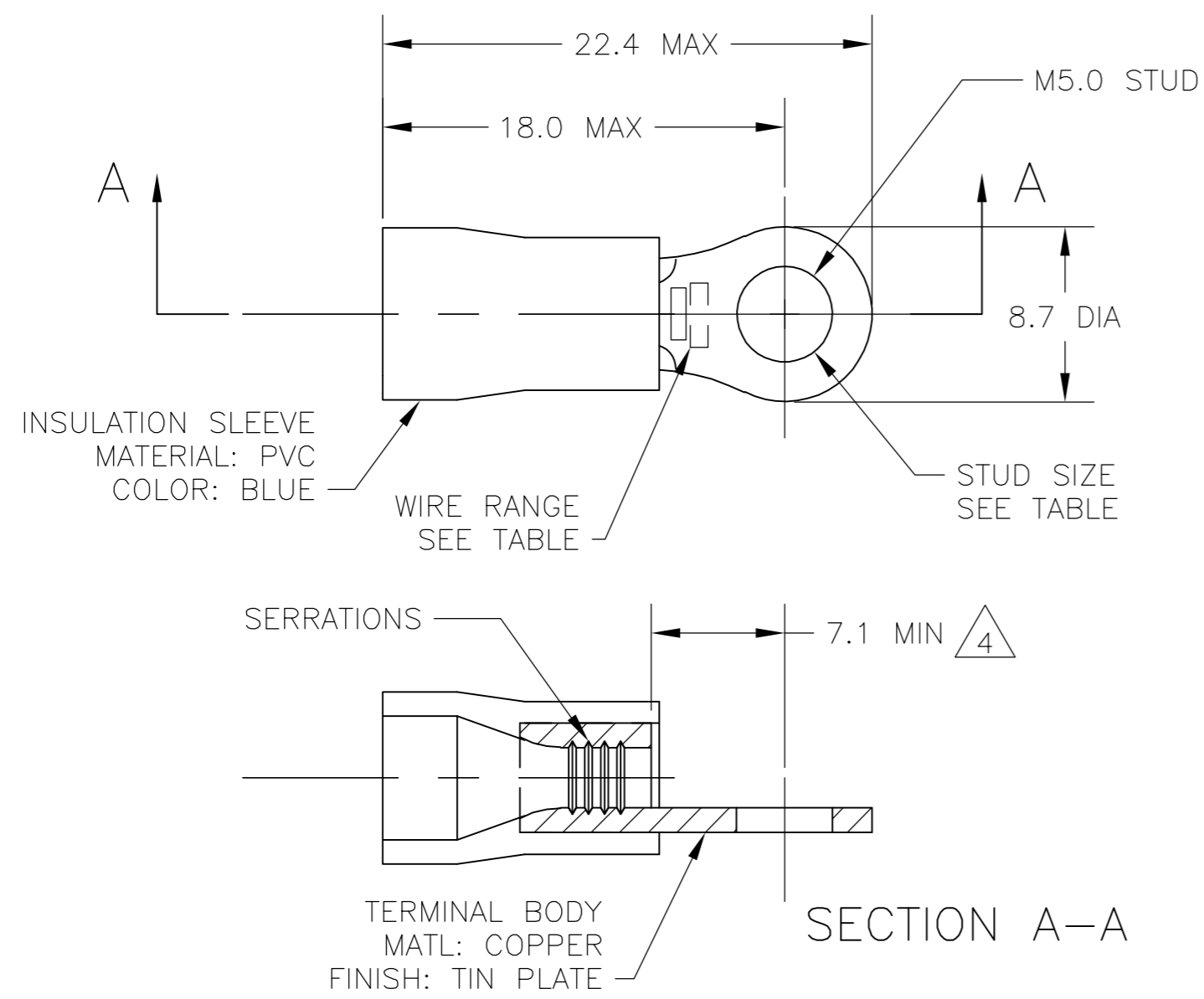


THIS DRAWING IS UNPUBLISHED. RELEASED FOR PUBLICATION
 © COPYRIGHT BY TYCO ELECTRONICS CORPORATION. ALL RIGHTS RESERVED.

LOC	DIST	REVISIONS			
P	LTR	DESCRIPTION	DATE	DWN	APVD
G	02	S	REV PER ECR-07-006529	21MAR07	JR TM



- 1 WIRE SIZE IS 16-14 AWG
- 2 WIRE INSULATION DIA: 3.0-4.9
- 3 MATERIAL THICKNESS IS 0.8
- $\triangle 4$ DIMENSION APPLIES FROM EDGE OF METAL WIRE BARREL TO END OF PIN.
- $\triangle 5$ SUPERSEDED BY 342144-1

POLY BAG WITH HEADER	STANDARD	100	$\triangle 5$	7-342144-1
PLASTIC BOX	STANDARD	100	$\triangle 5$	6-342144-1
TAPED MOUNTED	STANDARD	5000		2-342144-1
PLASTIC BAG	STANDARD	100		342144-1
PACKAGING	LABELLING	QTY		PART NO

THIS DRAWING IS A CONTROLLED DOCUMENT.		DWN jr ruth 02DEC05	tyco Tyco Electronics Corporation	
DIMENSIONS: INCHES		CHK T MICHIELUTTI 02DEC05	Electronics Harrisburg, PA 17105-3608	
TOLERANCES UNLESS OTHERWISE SPECIFIED:		APVD T MICHIELUTTI 02DEC05	NAME	
0 PLC ± -		PRODUCT SPEC	TERMINAL, RING TONGUE, PLASTI-GRIP,	
1 PLC ± 0.5		APPLICATION SPEC	-	
2 PLC ± -		SCALE	CAGE CODE	DRAWING NO
3 PLC ± -		WEIGHT	A2 00779	C=342144
4 PLC ± -		CUSTOMER DRAWING	SCALE 5:1	SHEET 1 of 1
ANGLES ± 1°				REV S
FINISH				

342144