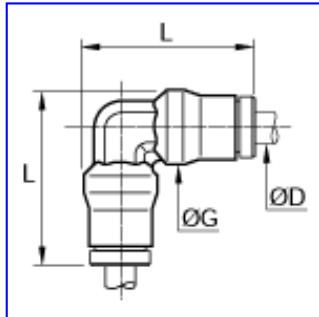




3602  
EQUAL ELBOW

3602

<b>maximum working pressure</b>	<b>bar</b>	<b>MPa</b>	<b>psi</b>
	20	2,0	290
<b>working temperature</b>	<b>°C (Celsius)</b>	<b>F (Fahrenheit)</b>	<b>K (Kelvin)</b>
	From -20 to 120	From -4 to 248	From 253 to 393
<b>body</b>	nickel-plated brass		
<b>'O'-rings</b>	Fluoroelastomer FKM (FPM)		



3602  
 EQUAL ELBOW  
 for metric tubing

3602

Part No	ØD (mm)	ØG (mm)	H (mm)	J (mm)	L (mm)	(kg)
3602 04 00	4	10,0			23,0	0,010
3602 06 00	6	12,0			28,0	0,016
3602 08 00	8	15,0			31,0	0,022
3602 10 00	10	17,5			37,5	0,035
3602 12 00	12	19,5			40,5	0,046
3602 14 00	14	21,5	45,0		45,0	0,057