

770-001 Shrink Boot Heat Shrink Molded Part

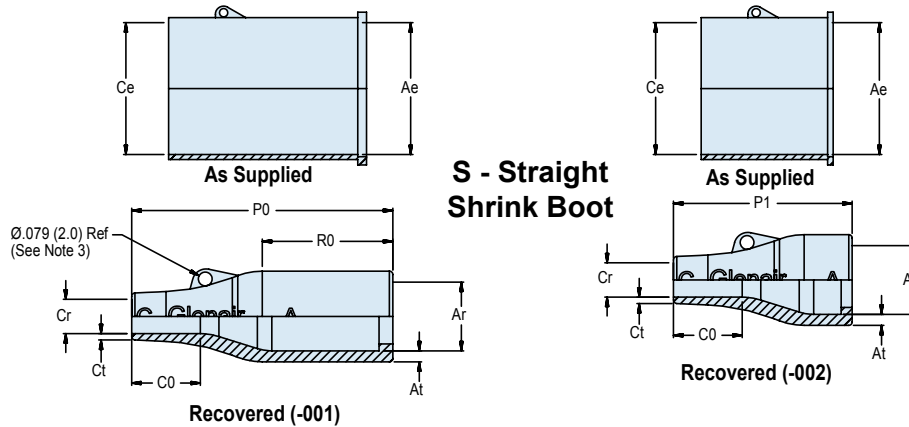
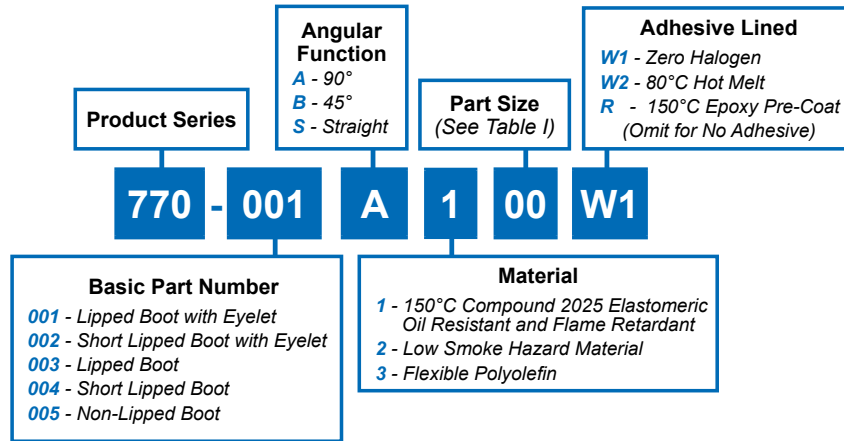
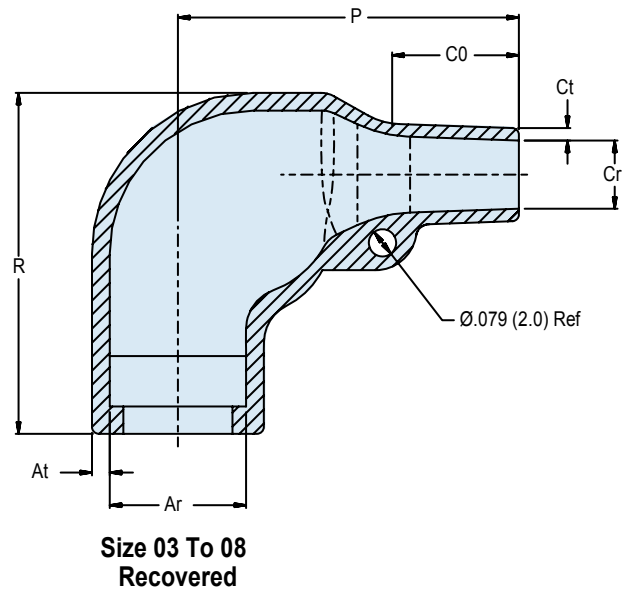
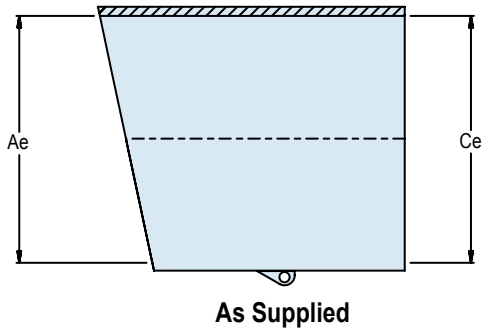


TABLE I: STRAIGHT BOOT DIMENSIONS, BOOT AND SHELL SIZE

Boot Size	Shell Size	Ae Dia Min	Ce Dia Min	Ar Dia Max	at ±30%	Cr Dia Max	ct ±20%	C0 Ref	P0 ±10%	P1 ±10%	R0 Ref
00	5	.354 (9.0)	.354 (9.0)	.217 (5.5)	.039 (1.0)	.079 (2.0)	.028 (0.7)	.295 (7.5)	.984 (25.0)	N/A	.551 (14.0)
01	5, 6	.472 (12.0)	.472 (12.0)	.276 (7.0)	.043 (1.1)	.118 (3.0)	.028 (0.7)	.295 (7.5)	.984 (25.0)	N/A	.551 (14.0)
02	6, 7	.669 (17.0)	.669 (17.0)	.276 (7.0)	.051 (1.3)	.138 (3.5)	.028 (0.7)	.395 (10.0)	1.181 (30.0)	N/A	.728 (18.5)
03	8, 10	.945 (24.0)	.945 (24.0)	.413 (10.5)	.063 (1.6)	.197 (5.5)	.035 (0.9)	.395 (10.0)	1.496 (38.0)	1.024 (26.0)	.748 (19.0)
04	11-16	1.181 (30.0)	1.181 (30.0)	.551 (14.0)	.071 (1.8)	.236 (6.0)	.039 (1.0)	.630 (16.0)	2.165 (55.0)	1.693 (43.0)	1.181 (30.0)
05	16-17	1.260 (32.0)	1.260 (32.0)	.709 (18.0)	.071 (1.8)	.276 (7.0)	.047 (1.2)	.748 (19.0)	2.638 (67.0)	1.850 (47.0)	1.299 (33.0)
06	17-21	1.417 (36.0)	1.417 (36.0)	.886 (22.0)	.079 (2.0)	.335 (8.5)	.047 (1.2)	.787 (20.0)	3.150 (80.0)	2.362 (60.0)	1.575 (40.0)
07	21-23	1.693 (43.0)	1.693 (43.0)	1.102 (28.0)	.087 (2.2)	.394 (10.0)	.051 (1.3)	1.142 (29.0)	3.898 (99.0)	3.150 (80.0)	2.165 (55.0)
08	25	2.362 (60.0)	2.362 (60.0)	1.378 (35.0)	.130 (3.3)	.591 (15.0)	.063 (1.6)	1.575 (40.0)	5.118 (130.0)	4.331 (110.0)	1.969 (50.0)

APPLICATION NOTES

1. Material: Fluid resistant elastomer - Glenair Material Type 1.
2. When the minimum number of conductors are used, wire bundle/cable may require build-up to B² max.
3. Sizes 00 to 02 do not contain eyelet.



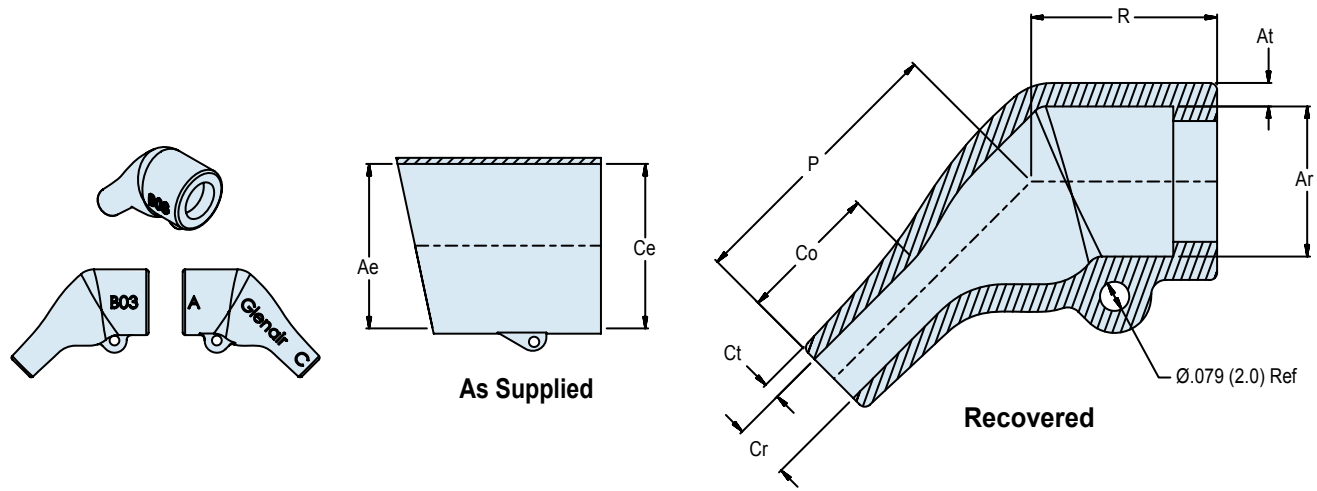
**A - 90°
Shrink Boot**

TABLE I: 90° BOOT DIMENSIONS, BOOT AND SHELL SIZE

Boot Size	Shell Size	Ae Dia Min	Ce Dia Min	Ar Dia Max	at ±30%	Cr Dia Max	ct ±20%	C0 Ref	P ±20%	R Ref
03	9	.945 (24.0)	.945 (24.0)	.394 (10.0)	.063 (1.6)	.197 (5.0)	.035 (0.9)	.394 (10.0)	.984 (25.0)	.984 (25.0)
04	11-15	1.181 (30.0)	1.181 (30.0)	.532 (13.5)	.071 (1.8)	.217 (5.5)	.039 (1.0)	.472 (12.0)	1.260 (32.0)	1.063 (27.0)
05	13-17	1.260 (32.0)	1.260 (32.0)	.709 (18.0)	.071 (1.8)	.276 (7.0)	.047 (1.2)	.591 (15.0)	1.535 (39.0)	1.260 (32.0)
06	17-21	1.417 (36.0)	1.417 (36.0)	.886 (22.0)	.079 (2.0)	.335 (8.5)	.047 (1.2)	.630 (16.0)	1.929 (49.0)	1.496 (38.0)
07	21-23	1.693 (43.0)	1.693 (43.0)	1.102 (28.0)	.087 (2.2)	.394 (10.0)	.059 (1.5)	.709 (18.0)	2.165 (55.0)	1.850 (47.0)
08	23-25	2.165 (55.0)	2.165 (55.0)	1.378 (35.0)	.130 (3.3)	.591 (15.0)	.079 (2.0)	1.260 (32.0)	3.150 (80.0)	2.165 (55.0)



770-001
45° Shrink Boot
 Heat Shrink Molded Part



B - 45°
Shrink Boot

TABLE I: 45° BOOT DIMENSIONS, BOOT AND SHELL SIZE

Boot Size	Shell Size	Ae Dia Min	Ce Dia Min	Ar Dia Max	at ±30%	Cr Dia Max	ct ±20%	CO Ref	P ±10%	R Ref
03	9	.945 (24.0)	.945 (24.0)	.413 (10.50)	.063 (1.6)	.157 (4.0)	.035 (0.9)	.315 (8.0)	.748 (195.0)	.500 (12.7)
04	11-15	1.181 (30.0)	1.181 (30.0)	.551 (14.0)	.071 (1.8)	.236 (6.0)	.039 (1.0)	.354 (9.0)	1.180 (30.0)	.748 (19.0)
05	13-17	1.260 (32.0)	1.260 (32.0)	.709 (18.0)	.079 (2.0)	.276 (7.0)	.071 (1.8)	.591 (15.0)	1.378 (35.0)	.984 (25.0)
06	17-21	1.417 (36.0)	1.417 (36.0)	.886 (22.0)	.079 (2.0)	.335 (8.5)	.071 (1.8)	.709 (18.0)	1.575 (40.0)	1.260 (32.0)
07	21-23	1.693 (43.0)	1.693 (43.0)	1.102 (28.0)	.087 (2.2)	.394 (10.0)	.079 (2.0)	.709 (18.0)	1.772 (45.0)	1.496 (38.0)