



SERIES 77

# Metal Shrink Boot Adapters



## 310-001 Standard Profile, O-Ring Sealed Shrink Boot Adapter with Rotatable Coupling

| How to Order                |  |
|-----------------------------|--|
| <b>Sample Part Number</b>   | <b>310 F S 001 M 16 D T</b>  |
| <b>Product Series</b>       | <b>310</b>   |
| <b>Connector Designator</b> | See Connector Designator Table   |
| <b>Angular Function</b>     | <b>S</b> = straight <b>H</b> = 45° <b>J</b> = 90°  |
| <b>Basic Part Number</b>    | <b>001</b>   |
| <b>Finish Symbol</b>        | <b>B</b> = cadmium plate, olive drab<br><b>C*</b> = anodize, black<br><b>G*</b> = hard coat, anodic<br><b>M</b> = electroless nickel<br><b>NF</b> = cadmium plate, olive drab over electroless nickel (1000 hour salt spray)<br>*Non-conductive finish not suitable for EMI/RFI shielding applications |
| <b>Shell Size</b>           | See dimensions table   |
| <b>Drain Hole</b>           | <b>D</b> = drain hole <b>Omit</b> for none   |
| <b>Shrink Boot</b>          | <b>T</b> = shrink boot <b>Omit</b> for none; see dimensions table for part number  |



Add "T" to Part Number for Standard Boot

| Connector Designator      |   |
|---------------------------|---|
| <b>A</b>                  | MIL-DTL-5015, -26482, Series II and -83723 Series I and III |
| <b>D</b>                  | MIL-DTL-26482 Series I                                      |
| <b>F</b>                  | MIL-DTL-38999 Series I, II                                  |
| <b>G*</b>                 | MIL-DTL-28840   |
| <b>H</b>                  | MIL-DTL-38999 Series III and IV                             |
| <b>J*</b>                 | MIL-DTL-81511 Series I, II, III & IV                        |
| <b>L</b>                  | LN29729   |
| <b>S</b>                  | PATT 105, PATT 603, PATT 608                                |
| <b>ROTATABLE COUPLING</b> |   |

### NOTES

1. See Table I on page G-4 for connector designator interface dimensions
2. O-Rings not supplied with Connector Designators A and G or with drain hole option
3. For G connector designator dimension E and G will be increased .360 (9.14)
4. Standard Boot Kit includes a straight lipped, type 1 material boot without adhesive. For additional material adhesive options order separately from section B
5. Glenair 600 series backshell assembly tools are recommended for assembly and installation

\*For connector designators G and J, please consult the factory for 45° and 90° configurations

G



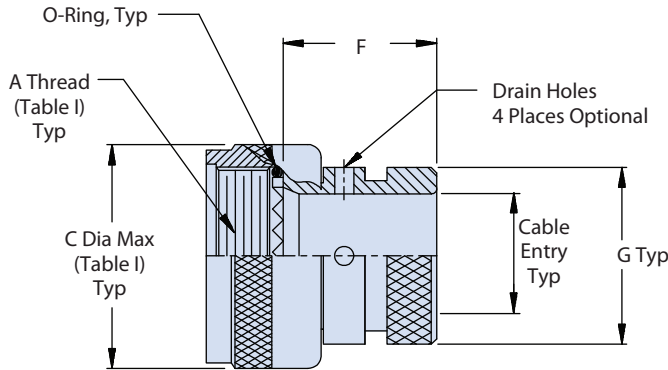
SERIES 77

# Metal Shrink Boot Adapters

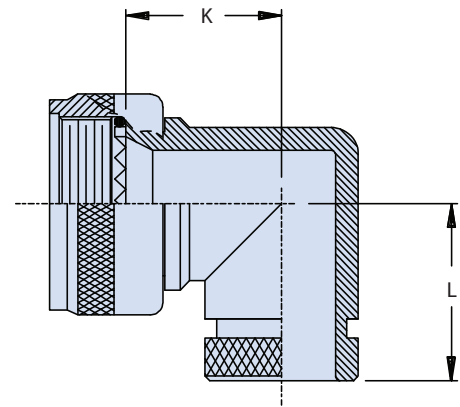


## 310-001 Standard Profile, O-Ring Sealed Shrink Boot Adapter with Rotatable Coupling

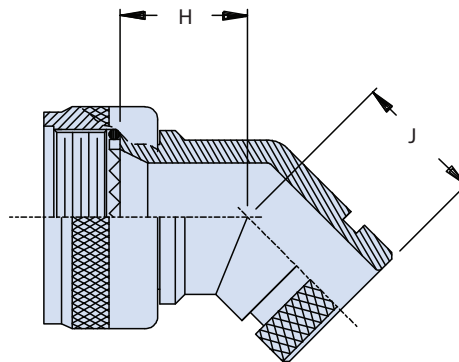
See Pages G-4 and G-5 for Adapter Interface Dimensions



**SYM S**  
Straight



**SYM J**  
90°



**SYM H**  
45°



| Dimensions                |     |              |              |              |              |              |              |              |              |
|---------------------------|-----|--------------|--------------|--------------|--------------|--------------|--------------|--------------|--------------|
| Shell Size - Conn. Desig. |     | F            | G            | H            | J            | K            | L            | Cable Entry  | Shrink Boot  |
| A-F-J-L-S                 | G-H | Max          | Max          | Max          | Max          | Max          | Max          | Minimum      | Part Number* |
| 08                        | 09  | .940 (23.9)  | .533 (13.5)  | .639 (16.2)  | .810 (20.6)  | .750 (19.1)  | .920 (23.4)  | .250 (6.4)   | 770-003S102  |
| 10                        | 11  | .940 (23.9)  | .605 (15.4)  | .664 (16.9)  | .840 (21.3)  | .810 (20.6)  | .980 (24.9)  | .355 (9.0)   | 770-001S103  |
| 12                        | 13  | .940 (23.9)  | .774 (19.7)  | .688 (17.5)  | .860 (21.8)  | .870 (22.1)  | 1.040 (26.4) | .491 (12.5)  | 770-001S103  |
| 14                        | 15  | .940 (23.9)  | .838 (21.3)  | .705 (17.9)  | .890 (22.6)  | .920 (23.4)  | 1.110 (28.2) | .565 (14.4)  | 770-001S103  |
| 16                        | 17  | .940 (23.9)  | .963 (24.5)  | .732 (18.6)  | .910 (23.1)  | .980 (24.9)  | 1.170 (29.7) | .690 (17.5)  | 770-001S104  |
| 18                        | 19  | .940 (23.9)  | 1.042 (26.5) | .748 (19.0)  | .920 (23.4)  | 1.020 (25.9) | 1.190 (30.2) | .769 (19.5)  | 770-001S104  |
| 20                        | 21  | .940 (23.9)  | 1.217 (30.9) | .773 (19.6)  | .940 (23.9)  | 1.080 (27.4) | 1.250 (31.8) | .894 (22.7)  | 770-001S106  |
| 22                        | 23  | .940 (23.9)  | 1.355 (34.4) | .800 (20.3)  | .980 (24.9)  | 1.140 (29.0) | 1.330 (33.8) | 1.019 (25.9) | 770-001S107  |
| 24                        | 25  | .940 (23.9)  | 1.443 (36.7) | .823 (20.9)  | 1.010 (25.7) | 1.200 (30.5) | 1.400 (35.6) | 1.134 (28.8) | 770-001S107  |
| 28                        | 29  | .940 (23.9)  | 1.709 (43.4) | 1.041 (26.4) | 1.180 (30.0) | 1.480 (37.6) | 1.640 (41.7) | 1.369 (34.8) | 770-001S108  |
| 32                        | 33  | 1.005 (25.5) | 1.919 (48.7) | 1.092 (27.7) | 1.370 (34.8) | 1.610 (40.9) | 1.880 (47.8) | 1.615 (41.0) | 770-001S108  |

\*Equivalent boot may be supplied in lieu of stated part number.



SERIES 77

# Metal Shrink Boot Adapters



## 310-034 Standard Profile, O-Ring Sealed Shrink Boot Adapter with Direct Coupling

| How to Order                |   |
|-----------------------------|---|
| <b>Sample Part Number</b>   | <b>310 D S 034 M 16 T</b>   |
| <b>Product Series</b>       | <b>310</b>  |
| <b>Connector Designator</b> | See connector designator table  |
| <b>Angular Function</b>     | <b>S</b> = straight <b>H</b> = 45° <b>J</b> = 90°   |
| <b>Basic Part Number</b>    | <b>034</b>  |
| <b>Finish Symbol</b>        | <b>B</b> = cadmium plate, olive drab <b>C</b> = anodize, black<br><b>G</b> = hard coat, anodic <b>M</b> = electroless nickel<br><b>NF</b> = cadmium plate, olive drab over electroless nickel |
| <b>Shell Size</b>           | See interface adapter dimensions table  |
| <b>Shrink Boot</b>          | <b>Omit</b> for none; see cable entry and shrink boot table   |



Add "T" to Part Number for Standard Boot

| Connector Designator |   |          |                                      |
|----------------------|---|----------|--------------------------------------|
| <b>A</b>             | MIL-DTL-5015, -26482, Series II and -83723 Series I and III | <b>G</b> | MIL-DTL-28840                        |
| <b>B*</b>            | MIL-DTL-5015  | <b>H</b> | MIL-DTL-38999 Series III and IV      |
| <b>C</b>             | MIL-DTL-22992   | <b>J</b> | MIL-DTL-81511 Series I, II, III & IV |
| <b>D</b>             | MIL-DTL-26482   | <b>K</b> | MIL-DTL-83723 Series II              |
| <b>E</b>             | MIL-DTL-26500   | <b>L</b> | LN29729                              |
| <b>F</b>             | MIL-DTL-38999 Series I, II                                  | <b>S</b> | PATT 105, PATT 603, PATT 608         |
| DIRECT COUPLING      |   |          |                                      |

\*When using Designator B, refer to Pages F-6 and F-7

| Interface Adapter Dimension |                              |              |             |
|-----------------------------|------------------------------|--------------|-------------|
| Shell Size                  | J Max - Connector Designator |              |             |
|                             | A-E-F-J-H-S                  | D-B-G-K      | C           |
| <b>08/09</b>                | 1.180 (30.0)                 | 1.250 (31.8) | -           |
| <b>10/11</b>                | 1.180 (30.0)                 | 1.250 (31.8) | -           |
| <b>12/13</b>                | 1.180 (30.0)                 | 1.250 (31.8) | 1.735(44.1) |
| <b>14/15</b>                | 1.180 (30.0)                 | 1.250 (31.8) | 1.915(48.6) |
| <b>16/17</b>                | 1.380 (35.0)                 | 1.560 (39.6) | 1.915(48.6) |
| <b>18/19</b>                | 1.380 (35.0)                 | 1.560 (39.6) | 1.915(48.6) |
| <b>20/21</b>                | 1.380 (35.0)                 | 1.560 (39.6) | 1.915(48.6) |
| <b>22/23</b>                | 1.380 (35.0)                 | 1.560 (39.6) | 1.915(48.6) |
| <b>24/25</b>                | 1.380 (35.0)                 | 1.560 (39.6) | 1.915(48.6) |
| <b>28/29</b>                | 1.610 (40.9)                 | 1.560 (39.6) | 1.915(48.6) |
| <b>32/33</b>                | 1.610 (40.9)                 | 1.750 (44.5) | 1.915(48.6) |
| <b>36</b>                   | 1.610 (40.9)                 | 1.750 (44.5) | 1.915(48.6) |
| <b>40</b>                   | 1.610 (40.9)                 | 2.190 (55.6) | 1.915(48.6) |

| Shell Size | Dimensions   |              |              |              |
|------------|--------------|--------------|--------------|--------------|
|            | F Max        | G Max        | H Max        | K Max        |
| 08/09      | .639 (16.2)  | .810 (20.6)  | .750 (19.1)  | .920 (23.4)  |
| 10/11      | .664 (16.9)  | .840 (21.3)  | .810 (20.6)  | .980 (24.9)  |
| 12/13      | .688 (17.5)  | .860 (21.8)  | .870 (22.1)  | 1.040 (26.4) |
| 14/15      | .705 (17.9)  | .890 (22.6)  | .920 (23.4)  | 1.110 (28.2) |
| 16/17      | .732 (18.6)  | .910 (23.1)  | .980 (24.9)  | 1.170 (29.7) |
| 18/19      | .748 (19.0)  | .920 (23.4)  | 1.020 (25.9) | 1.190 (30.2) |
| 20/21      | .773 (19.6)  | .940 (23.9)  | 1.080 (27.4) | 1.250 (31.8) |
| 22/23      | .800 (20.3)  | .980 (24.9)  | 1.140 (29.0) | 1.330 (33.8) |
| 24/25      | .823 (20.9)  | 1.010 (25.7) | 1.200 (30.5) | 1.400 (35.6) |
| 28         | 1.041 (26.4) | 1.180 (30.0) | 1.480 (37.6) | 1.640 (41.7) |
| 32         | 1.092 (27.7) | 1.370 (34.8) | 1.610 (40.9) | 1.880 (47.8) |
| 36         | 1.041 (26.4) | 1.180 (30.0) | 1.480 (37.6) | 1.640 (41.7) |
| 40         | 1.092 (27.7) | 1.370 (34.8) | 1.610 (40.9) | 1.880 (47.8) |

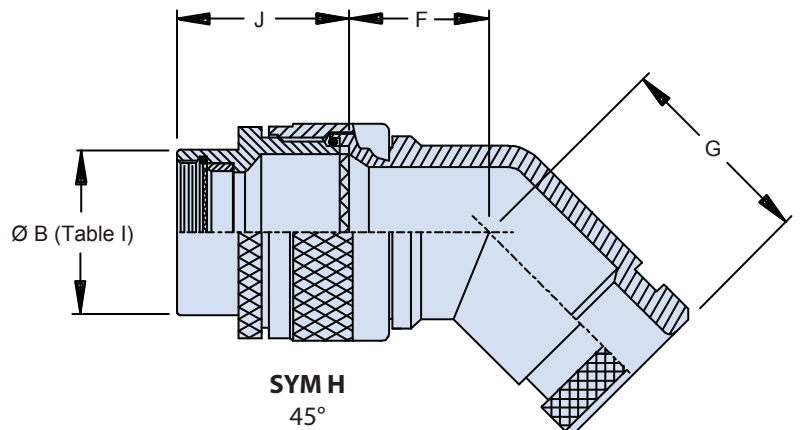
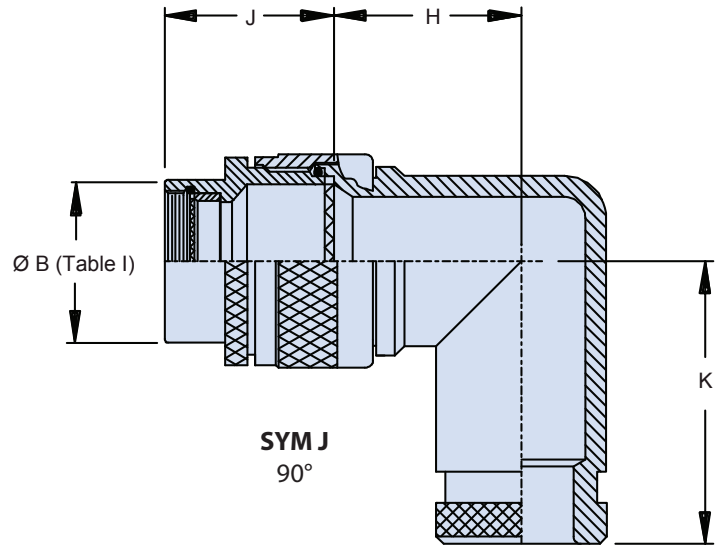
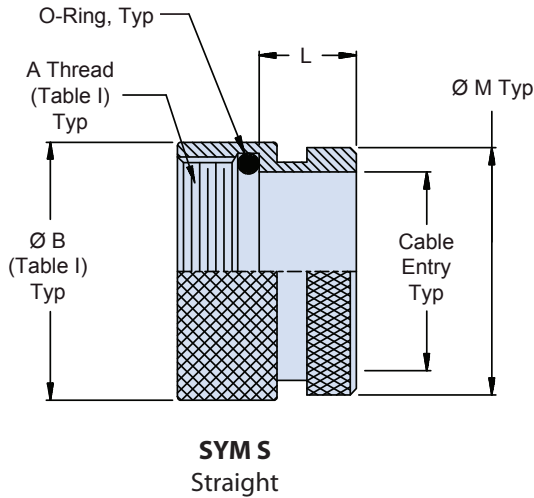


SERIES 77  
Metal Shrink Boot Adapters



310-034 Standard Profile, O-Ring Sealed Shrink Boot Adapter with Direct Coupling

See Pages G-4 and G-5 for Adapter Interface Dimensions



| Cable Entry Dimensions and Shrink Boot Part Numbers |             |              |                     |                         |
|---|-------------|--------------|---------------------|-------------------------|
| Shell Size  | L Max       | M Max        | Cable Entry Minimum | Shrink Boot Part Number |
| 08  | .500 (12.7) | .688 (17.5)  | .250 (6.4)          | 770-001S103             |
| 10/11   | .500 (12.7) | .803 (20.4)  | .355 (9.0)          | 770-001S103             |
| 12/13   | .500 (12.7) | .938 (23.8)  | .491 (12.5)         | 770-001S104             |
| 14/15   | .500 (12.7) | 1.063 (27.0) | .565 (14.4)         | 770-001S106             |
| 16/17   | .500 (12.7) | 1.238 (31.4) | .690 (17.5)         | 770-001S106             |
| 18  | .500 (12.7) | 1.310 (33.3) | .769 (19.5)         | 770-001S107             |
| 20  | .500 (12.7) | 1.436 (36.5) | .844 (21.4)         | 770-001S107             |
| 22  | .500 (12.7) | 1.560 (39.6) | 1.019 (25.9)        | 770-001S108             |
| 24  | .500 (12.7) | 1.686 (42.8) | 1.134 (28.8)        | 770-001S108             |
| 28  | .687 (17.4) | 2.062 (52.4) | 1.369 (34.8)        | 770-001S109             |
| 32  | .687 (17.4) | 2.312 (58.7) | 1.615 (41.0)        | 770-001S108             |
| 36  | .687 (17.4) | 2.562 (65.1) | 1.830 (46.5)        | Consult Factory         |
| 40  | .687 (17.4) | 2.812 (71.4) | 2.045 (51.9)        | Consult Factory         |

**NOTES**

1. See Table I on page G-4 for connector designator interface dimensions
2. When using Connector Designator B refer to pages G-6 and G-7 for part number development.
3. Standard Boot Kit includes a straight lipped, type 1 material boot without adhesive. For additional material adhesive options order separately from section B
4. Glenair 600 series backshell assembly tools are recommended for assembly and installation

# Mouser Electronics

Authorized Distributor

Click to View Pricing, Inventory, Delivery & Lifecycle Information:

## Glenair:

[310HS001M19](#) [310HS001B17](#) [310HS001M13](#) [310HS001M21T](#) [310HS001M25T](#) [310AS034M14](#) [310CS034NF18](#)  
[310HS001B11](#) [310HS001B15](#) [310HS001C15T](#) [310HS001M17](#) [310HS001M17D](#) [310HS001M25](#) [310DS034M14](#)  
[310HJ001M15T](#) [310HS034B25](#) [310AS034B24](#) [310DS034NF14](#) [310AS034B14](#) [310DS034B14T](#) [310FS034B16](#)  
[310HS001B19](#) [310FS034NF10](#) [310FS034C10](#) [310HS034M09](#) [310DS034B14](#) [310HS034M25](#) [310AS034B20](#)