

**PLEASE CHECK WWW.MOLEX.COM FOR LATEST PART INFORMATION**

**Part Number:** **502579-0000**  
**Status:** **Active**  
**Overview:** CLIK-Mate™ Wire-to-Board Connectors  
**Description:** 1.50mm Pitch CLIK-Mate™ Wire-to-Board Crimp Terminal, Chain

**Documents:**

<a href="#">3D Model</a>	<a href="#">Application Specification AS-502578-002 (PDF)</a>
<a href="#">Drawing (PDF)</a>	<a href="#">Application Specification AS-503149-001 (PDF)</a>
<a href="#">Product Specification PS-502584-001 (PDF)</a>	<a href="#">Application Specification AS-503395-001 (PDF)</a>
<a href="#">Product Specification PS-503159-001 (PDF)</a>	<a href="#">Packaging Specification SPK-502579-001 (PDF)</a>
<a href="#">Product Specification PS-503395-001 (PDF)</a>	<a href="#">RoHS Certificate of Compliance (PDF)</a>
<a href="#">Application Specification AS-502578-001 (PDF)</a>	

**General**

Product Family	Crimp Terminals
Series	502579
Application	Signal
Crimp Quality Equipment	Yes
Overview	<u>CLIK-Mate™ Wire-to-Board Connectors</u>
Product Name	CLIK-Mate™
UPC	800756642857

**Physical**

Durability (mating cycles max)	30
Gender	Plug
Material - Metal	Copper Alloy
Material - Plating Mating	Tin
Material - Plating Termination	Tin
Net Weight	22.500/mg
Packaging Type	Reel
Termination Interface: Style	Crimp or Compression
Wire Insulation Diameter	0.78-1.28mm
Wire Size AWG	24, 26, 28
Wire Size mm²	N/A

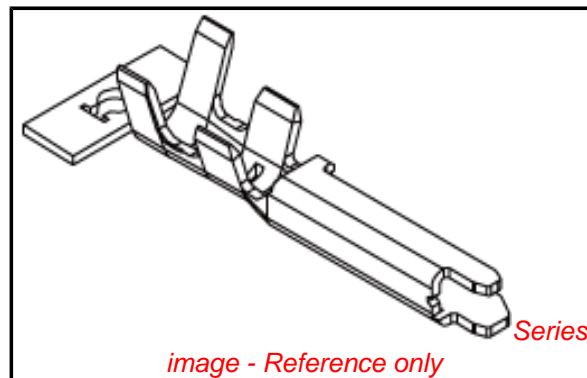
**Electrical**

Current - Maximum per Contact	2A
Voltage - Maximum	100V AC (RMS)/DC

**Material Info**

**Reference - Drawing Numbers**

Application Specification	AS-502578-001, AS-502578-002, AS-503149-001, AS-503395-001
Crimp Specification	CS-502579-001
Packaging Specification	SPK-502579-001
Product Specification	PS-502584-001, PS-503159-001, PS-503395-001, RPS-502578-001, RPS-502584-002, RPS-502584-003, RPS-502584-004, RPS-502584-005, RPS-502584-006, RPS-502584-007, RPS-502584-008, RPS-502584-009, RPS-502584-010, RPS-502584-011, RPS-502584-012, RPS-502584-013, RPS-502584-014, RPS-502584-018, RPS-502585-002, RPS-502585-003, RPS-503148-002, RPS-503148-005, RPS-503154-006, RPS-503154-009, RPS-503154-010, RPS-503154-011, RPS-503159-001, RPS-503159-003, RPS-503159-004, RPS-503159-005,



**EU RoHS**

**ELV and RoHS Compliant**  
**REACH SVHC Contains SVHC: No Low-Halogen Status Low-Halogen**

**China RoHS**



**Need more information on product environmental compliance?**

Email [productcompliance@molex.com](mailto:productcompliance@molex.com)  
 For a multiple part number RoHS Certificate of Compliance, [click here](#)

Please visit the [Contact Us](#) section for any non-product compliance questions.

**Search Parts in this Series**

502579Series

**Mates With**

502584 Vertical PCB Receptacle . 502585 Right Angle PCB Receptacle

**Use With**

502578 Housing

**Application Tooling | FAQ**

*Tooling specifications and manuals are found by selecting the products below. Crimp Height Specifications are then contained in the Application Tooling Specification document.*

**Global**

Description	Product #
Extractor Tool for 1.50mm Pitch Wire-to-Board Crimp Terminal	<a href="#">0638133700</a>
Hand Crimp Tool for Wire-to-Board	<a href="#">0638194600</a>

Sales Drawing

RPS-503175-001, RPS-503175-002, RPS-503175-003,  
RPS-503339-001, RPS-503339-002, RPS-503395-002  
SD-502579-001

Terminal, 24-28  
AWG Wire  
FineAdjust™ 0639025000  
Applicator for  
1.50mm Pitch Wire-  
to-Board Crimp  
Terminals  
T2 Terminator for 0639125000  
1.50mm Pitch Wire-  
to-Board Terminal

This document was generated on 02/10/2015

**PLEASE CHECK [WWW.MOLEX.COM](http://WWW.MOLEX.COM) FOR LATEST PART INFORMATION**