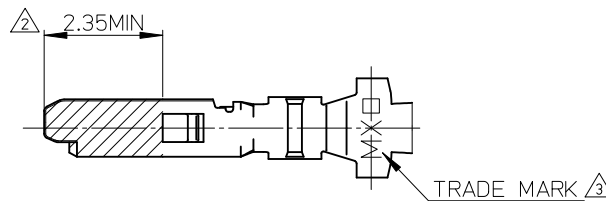
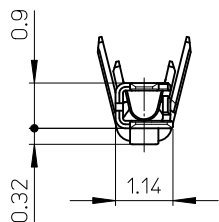
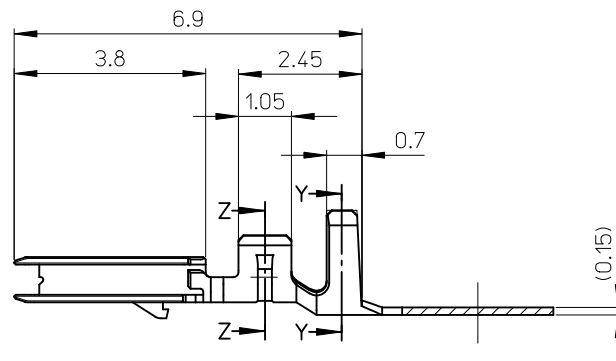


SECTION Y-Y
(SCALE 20-1)

SECTION Z-Z
(SCALE 20-1)



NOTES

- 適合ハウジング：502578-****，503149-****
APPLICABLE HOUSING：502578-****，503149-****
- 図示の斜線部の範囲は、接点部のため、傷、打痕、汚れなどを付けないようにして下さい。
PLEASE DON'T DAMAGE, DON'T DENT, AND DON'T MAKE IT DIRTY. BECAUSE THE RANGE IN THE SHADED PORTION SHOWN IN FIGURE IS THE CONTACT AREA.
- トレードマーク：MX プラス1文字の製造工場を示すアルファベットにて表示。但し「J」は JAPAN を示す。(例 MXJ)
FORMED BY MX AND 1 MORE LETTER OF ALPHABET WHICH MEAN THE MANUFACTORY. BUT "J" MEANS JAPAN. (TO TRADE MARK) (e.g. MXJ)
- ELV 及び RoHS 適合品
ELV AND RoHS COMPLIANT

φ0.78-1.28mm	AWG#24-28	502579-0100	バラ状 LOSE
		502579-0000	連鎖状 CHAIN
絶縁被覆外径範囲 INS. RANGE	適用電線範囲 WIRE RANGE	製品番号 MATERIAL NO.	端子形状 FORM

部品 PART	材質 MATERIAL
ターミナル TERMINAL	銅合金 COPPER ALLOY
	錫めっき：0.4 micro-meter MIN. リフロー処理(前めっき) TIN REFLOW TREATMENT (PRE-PLATED)
	ニッケルめっき(下地)：0.1 micro-meter MIN. リフロー処理(前めっき) NICKEL (UNDER PLATING) REFLOW TREATMENT (PRE-PLATED)

REVISED EC NO: J2010-2153 DRAWN: YG010 2010/04/27 CHKD: KASAKAWA 2010/04/29 APPR: NUKITA 2010/05/12	GENERAL TOLERANCES (UNLESS SPECIFIED)	
	10 UNDER	± 0.2
	10 OVER 30 UNDER	± 0.25
	30 OVER	± 0.3
	ANGULAR ± 3 °	
DRAFT WHERE APPLICABLE MUST REMAIN WITHIN DIMENSIONS		

DIMENSION STYLE MM ONLY		SCALE 10:1		DESIGN UNITS METRIC		THIRD ANGLE PROJECTION	
DRAWN BY NITO	DATE 2007/07/09	TITLE 1.5 W/B CONN. SINGLE PLUG TERMINAL					
CHECKED BY KASAKAWA	DATE 2007/07/09	MOLEX INCORPORATED					
APPROVED BY YOITO	DATE 2007/07/09						
MATERIAL NO. SEE TABLE		DOCUMENT NO. SD-502579-001		SHEET NO. 1 OF 1			
SIZE A3 THIS DRAWING CONTAINS INFORMATION THAT IS PROPRIETARY TO MOLEX INCORPORATED AND SHOULD NOT BE USED WITHOUT WRITTEN PERMISSION							