

Customer Information Sheet

DRAWING No.: S1791-42R

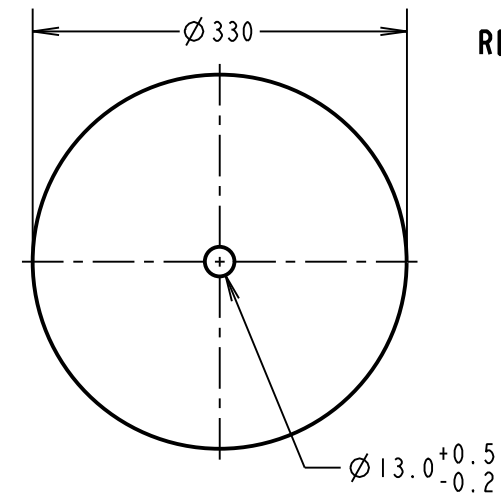
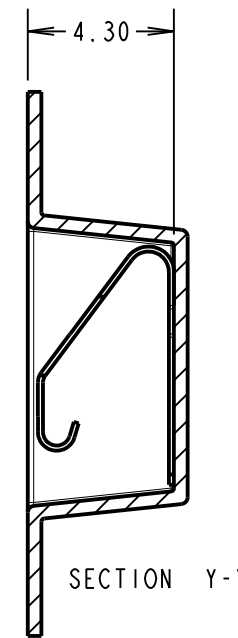
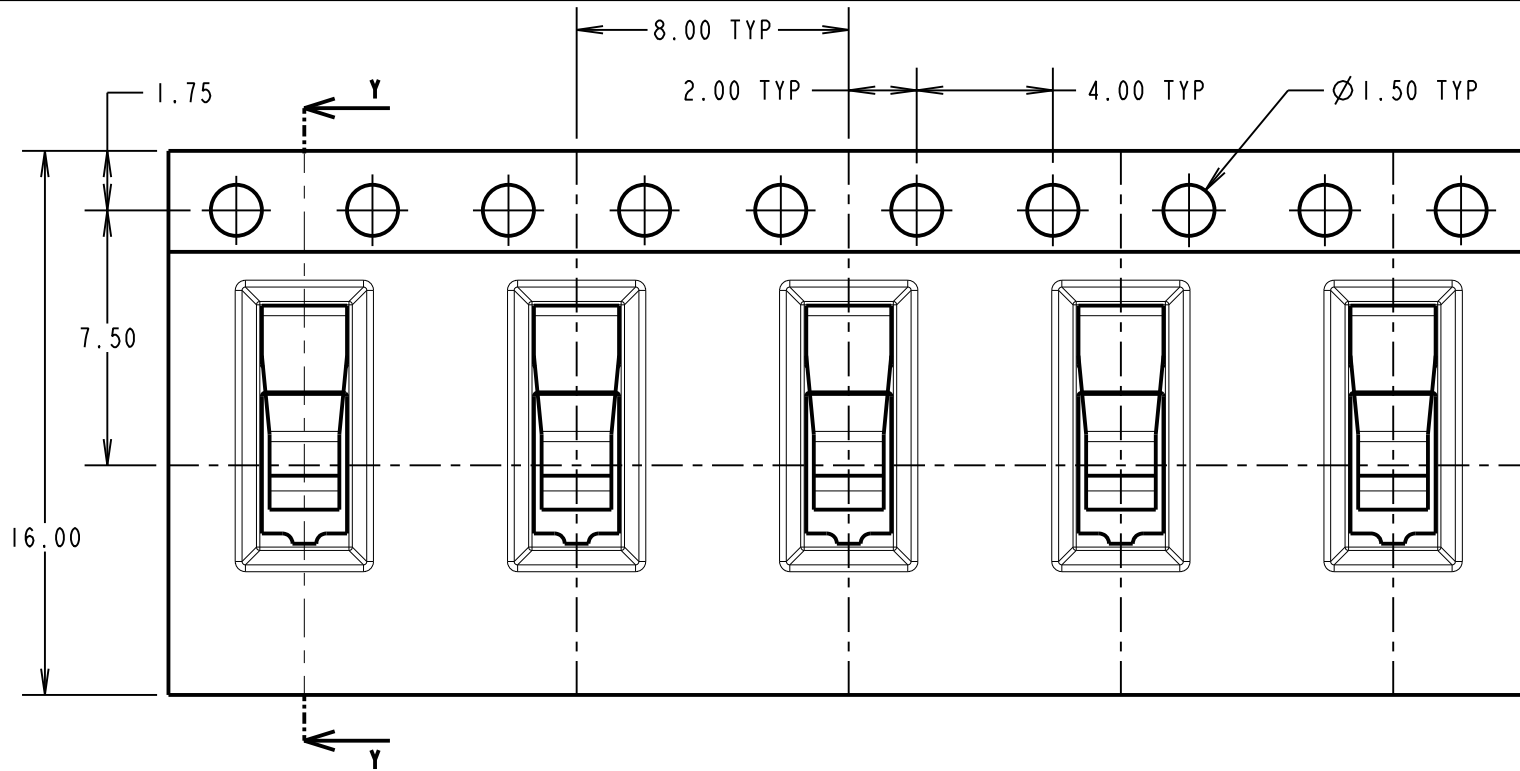
IF IN DOUBT - ASK

©

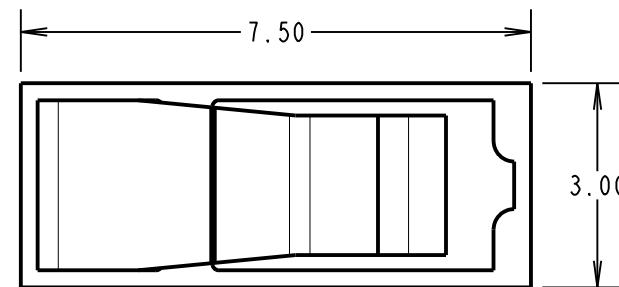
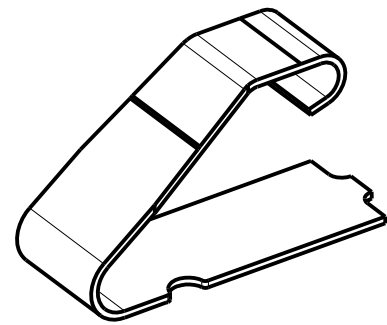
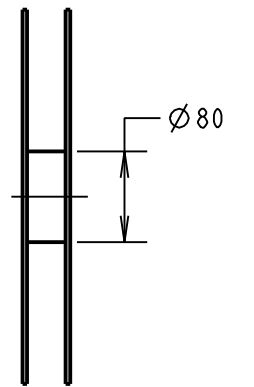
NOT TO SCALE

THIRD ANGLE PROJECTION

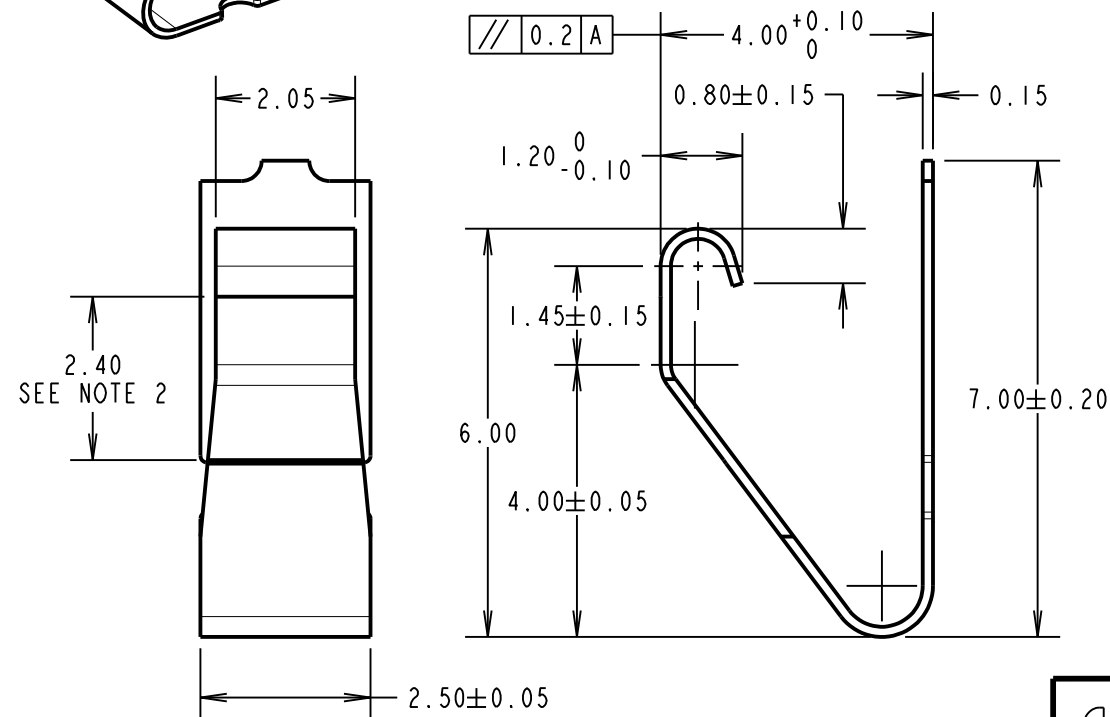
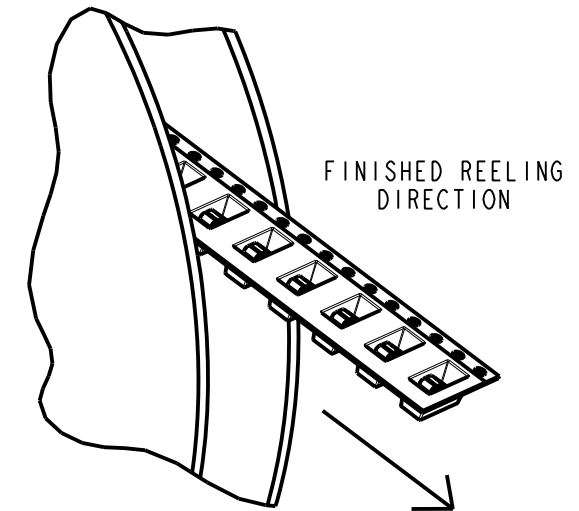
ALL DIMENSIONS IN mm



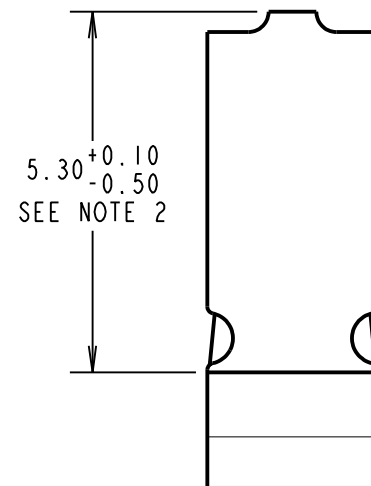
REEL DETAILS



RECOMMENDED PAD LAYOUT
TOLERANCE ±0.05mm



COMPONENT DETAILS



NOTES:
1. QUANTITY PER REEL = 2000.
2. GOLD PLATED AREA.

COMPONENT SPECIFICATION:
MATERIAL = TITANIUM COPPER ALLOY,
0.15±0.01mm THICK
FINISH = 0.76µm-1.27µm NICKEL, 0.05µm MIN GOLD FLASH
ON CONTACT AND FOOT AREA.
RECOMMENDED WORKING HEIGHT = 3.00mm / MIN FORCE = 1.0N
MINIMUM WORKING HEIGHT = 2.00mm / MAX FORCE = 4.0N
ELECTRICAL:
CURRENT RATING = 3A
MECHANICAL:
DURABILITY = 1500 CYCLES
ENVIRONMENTAL:
OPERATING TEMPERATURE = -55°C TO +125°C

MGP	7	04.01.22	31219
NAME	ISS.	DATE	CN/CO
APPROVED:		MGP	
CHECKED:		RA	
DRAWN:		N. CODLING	
CUSTOMER REF.:			
ASSEMBLY DRG:			

HARWIN

www.harwin.com
technical@harwin.com

THIS DRAWING AND ANY INFORMATION OR DESCRIPTIVE MATTER SET OUT HEREON ARE CONFIDENTIAL AND COPYRIGHT PROPERTY OF THE HARWIN GROUP AND MUST NOT BE DISCLOSED, LOANED, COPIED OR USED FOR MANUFACTURING, TENDERING OR FOR ANY OTHER PURPOSE WITHOUT THEIR WRITTEN PERMISSION.

TOLERANCES
X. = ±1mm
X.X = ±0.50mm
X.XX = ±0.20mm
X.XXX = ±0.01mm
ANGLES = ±5°
UNLESS STATED

MATERIAL:
SEE ABOVE
FINISH: SEE ABOVE
S/AREA: mm²

TITLE:
S1791-42 EMI SHIELD FINGER
IN TAPE AND REEL
DRAWING NUMBER:
S1791-42R

Mouser Electronics

Authorized Distributor

Click to View Pricing, Inventory, Delivery & Lifecycle Information:

[Harwin:](#)

[S1791-42R](#)