

(2,54mm) .100"
SL, SDL SERIES

LOW PROFILE MACHINED SOCKET STRIPS

- FEATURES**
- Achieve low profile without sacrificing insertion depth!
 - Choice of four precision screw machined lead styles.
 - Exceptionally low profile, down to (2,11mm) .083" off of board.
 - Mates with BBL or BDL for board stacking spaces down to (3,89mm) .153"

SPECIFICATIONS

For complete specifications see www.samtec.com?SL or www.samtec.com?SDL

Insulator Material: Black Glass Filled Polyester

Contact/Shell Materials: BeCu/Brass

Plating: Au or Sn over 50µ" (1,27µm) Ni

Operating Temp Range: -55°C to +125°C with Gold
 -55°C to +105°C with Tin

Current Rating: 1A

Contact Resistance: 10 mΩ max

Insertion Force: (Single contact only)
 Standard = 9 oz (2,50N) avg., 16oz (4,45N) max ((0,43mm) .017" DIA probe)

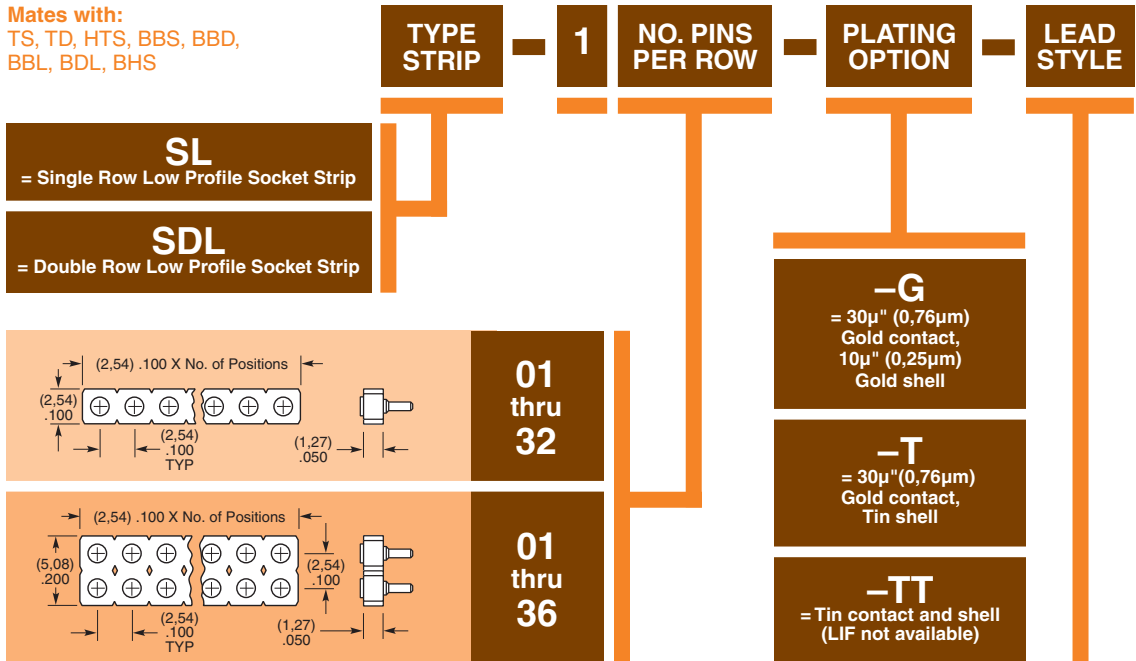
Low Insertion Force = 2.5oz (0,70N) avg., 5.5oz (1,53N) max ((0,43mm) .017" DIA probe)

Withdrawal Force: (Single contact only)
 Standard = 2.5oz (0,70N) avg., 1.5oz (0,42N) min ((0,43mm) .017" DIA probe)

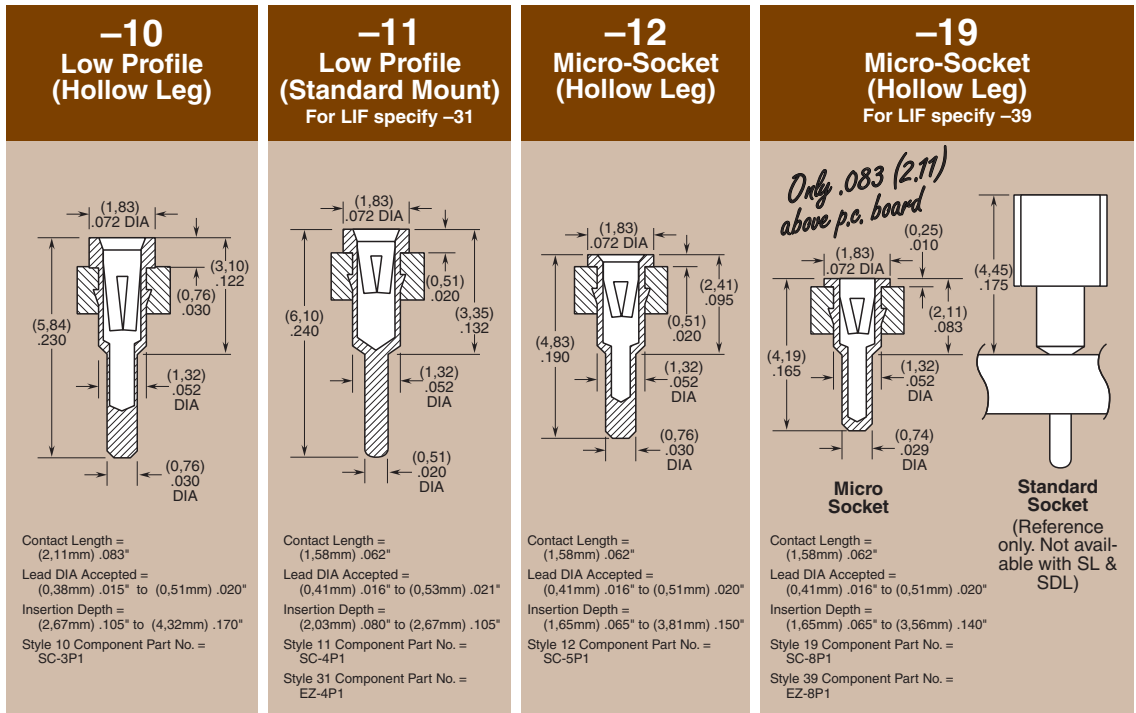
Low Insertion Force = 2.0oz (0,56N) avg., 0.5oz min ((0,43mm) .017" DIA probe)

RoHS Compliant: Yes

Lead-Free Solderable: Wave only



Low Insertion Force (LIF) Available



Note: Some lengths, styles and options are non-standard, non-returnable.

Due to technical progress, all designs, specifications and components are subject to change without notice.