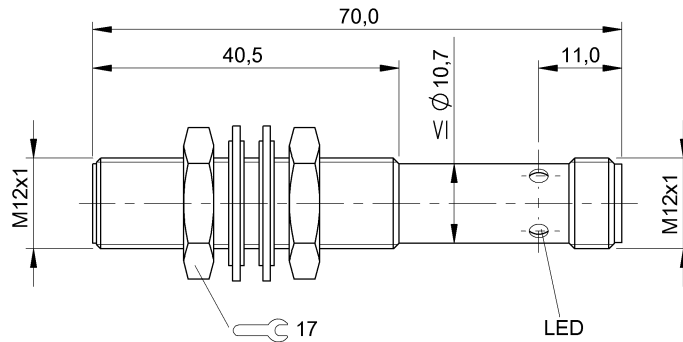


BES 516-325-S4-C
Ordering code: BES01C8

Inductive sensor
M12x70 mm

DC, direct current
PNP/Normally open (NO)
Sn = 2 mm
Flush (shielded)

BALLUFF
sensors worldwide



Characteristic data

Eff. switching distance Sr	2 mm
Tolerance Sr	±10 %
Assured operating distance Sa	1,6 mm
Hysteresis H max. (in % of Sr)	15 %
Repeat accur. R max. (% of Sr)	5 %
Ambient temperature	-40...85 °C
Temp. drift max. (% of Sr)	10 %
Switching freq. f max.	3000 Hz
Ready delay tv max.	30 ms
Utilisation category	DC 13
Function indicator	Yes
Power-on indicator	No
Short-circuit protected	Yes
Degree of protection as per IEC 60529	IP68 according to BWN PR 20
Protection class	II
Protected against polarity reversal	Yes
Protected against reverse connection	Yes

Electrical data

Operating voltage	
Rated operating voltage Ue DC	24 V
Ripple max. (% of Ue)	15 %
Voltage drop static max.	2 V
Rated insulation voltage Ui	250 AC V
Effective operating current Ie	200 mA

No-load current Io damped	8 mA
No-load current Io undamped	2,5 mA
Off-state current Ir max.	10 µA
Minimum operating current Im	0 mA
Rated short circuit current	100 A
Output resistance Ra	33.0k + D
Load capacitance max. (at Ue)	0,5 µF
Principle of operation	Inductive

Mechanical data

Housing material	Stainless steel
Sensing surface material	PA 12
Tightening torque max.	20 Nm
Mounting length	40,5 mm
Connection type	Connector
Connector type	M12x1-S04
Shock rating	Shock, half-sinus, 30 gn, 11ms
Vibration rating	55 Hz, 1 mm ampl., 3x30 min
Degree of contamination	3

Basic data

Basic standard	IEC 60947-5-2
----------------	---------------

Remarks

The sensor is functional again after the overload has been eliminated.
 With connector, e.g. BKS-S 20-... total length = switch length +19 mm.



Definitions see main catalog

subject to change

BES 516-325-S4-C
Ordering code: BES01C8
Inductive sensor
M12x70 mm

DC, direct current
PNP/Normally open (NO)
Sn = 2 mm
Flush (shielded)

BALLUFF
sensors worldwide

