

Data Trunking System

Features

- System bend radius 50mm
Exceeds Cat 5e, 6 and 7 data cable requirements
- Attractive styling complementary to Logic Plus
- Aesthetic one piece fitting covers with carriers
- Two equal compartments – maximises wiring compartment capacity
- Accessory mounting in either or both compartments – giving flexibility/versatility
- Unobtrusive screw fixing covers to maximise security against tampering
- Ease of installation – butt jointed construction, no mitring required
- Economical – cost effective 3 components (2 x lids, 1 base)
- Suitable for skirting or dado mounting
- Pre-drilled base – ease/speed of installation
- Accommodates matching MK and other BS switches and sockets
- Interfaces with MK Premier, and Ega Industrial and Ega Mini Trunking and Conduit Systems
- Strong PVCu sections are resistant to impact
- Manufactured to high precision standards
- Full range of components, spares and accessories
- Mounting frames for LJU6C and Euro data outlets – cost effective, minimum space requirement (for mounting in SELV compartment only).
- Choice of 180 RAL paint colours
- All extrusions manufactured from 90% recycled material*



Description

The Prestige 2com trunking is a symmetrical two compartment system offering a Cat 6 flexible solution to routing data cabling whilst maintaining a slow bend radius of 50mm, with a separate compartment for power cables. The trunking is normally surface mounted at dado or skirting height but may also be used vertically. The covers are of the snap-on type with the option of screw fixing for added security against vandalism. Special accessories include adaptors for connection to the full range of MK Ega Mini Trunking.

Technical specification

Materials

All components are manufactured from PVCu. Carriers, covers and cable dividers are extruded. Carrier couplers, corner carriers, stop ends and accessory boxes are formed by injection moulding.

Colours

The system is available in a standard white colour, with a choice of over 180 RAL paint colours on special orders.

Outlets

The system is designed to accommodate the complementary range of Logic Plus switches and sockets. Other MK wiring devices may also be used.

* Based on 2008 consumption

Data Trunking System

Dimensions (mm)

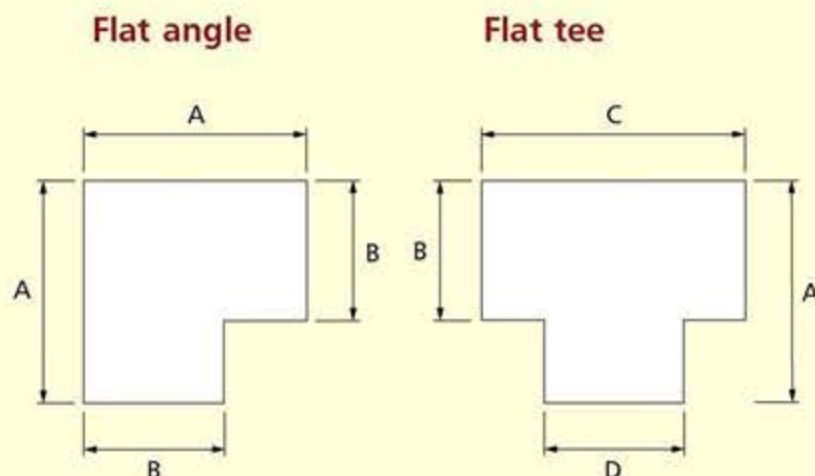


PRESTIGE 2COM CABLE CAPACITY										
Type of Conductor	Size	Cable Factor	Compartment 1	Compartment 1 with 25mm back box	Compartment 1 with 35mm back box	Compartment 1 Ext Corner 50mm Data Bend				
			Full Term CSA 100% Fill (mm²)							
			4466	2236	1633	3132				
			Term at 45% Fill (mm²)							
			2009	1006	734	1409				
Power Cables			Number of Cables at 45% Fill							
PVC Stranded	1.5mm ²	8.6	233	116	85	163				
	2.5mm ²	12.6	159	79	58	111				
	4mm ²	16.6	121	60	44	84				
	6mm ²	21.2	94	47	34	66				
Data Cables			Number of Cables at 45% Fill (a) and Full Capacity (b)							
			a	b	a	b	a	b	a	b
Cat5E UTP	5.5mm dia.	30.2	66	147	33	74	24	54	46	103
Cat5E STP	6.0mm dia.	36.0	55	124	27	62	20	45	39	87
Cat6 UTP	6.5mm dia.	42.2	47	105	23	52	17	38	33	74
Cat6 STP	7.0mm dia.	49.0	41	91	20	45	14	33	28	63

Components

Flat angles and tees

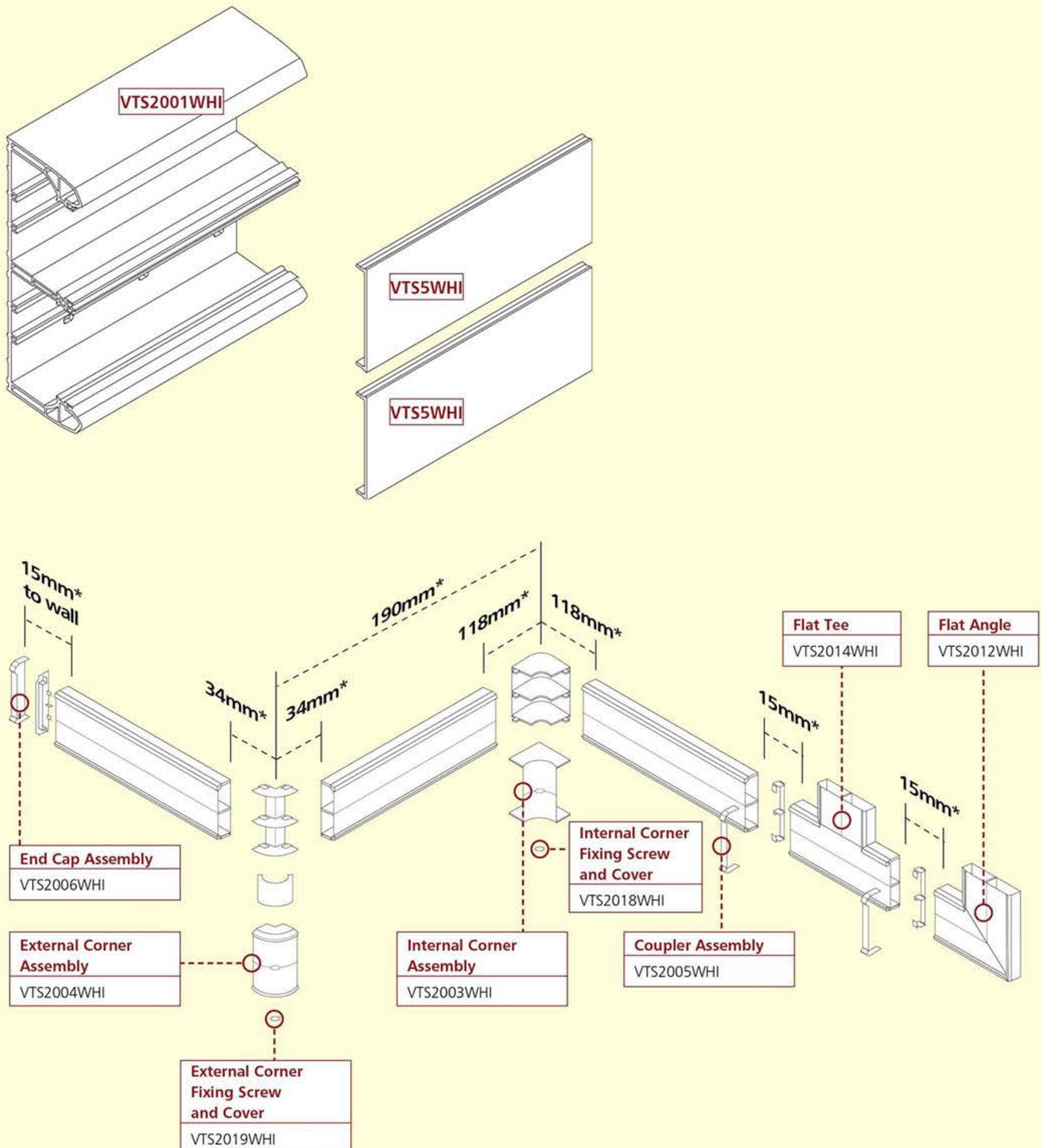
These components are fabricated sections and space must be allowed for their inclusion in runs of trunking. All other components snap on over standard trunking profiles.



DIMENSIONS (mm)				
Flat angle	A	B		
VTS2012WHI	310	210		
Flat T details	A	B	C	D
VTS2014WHI	310	210	410	210

Data Trunking System

Component selection guide



* Minimum distance

Data Trunking System

Installation guide

General installation guidelines

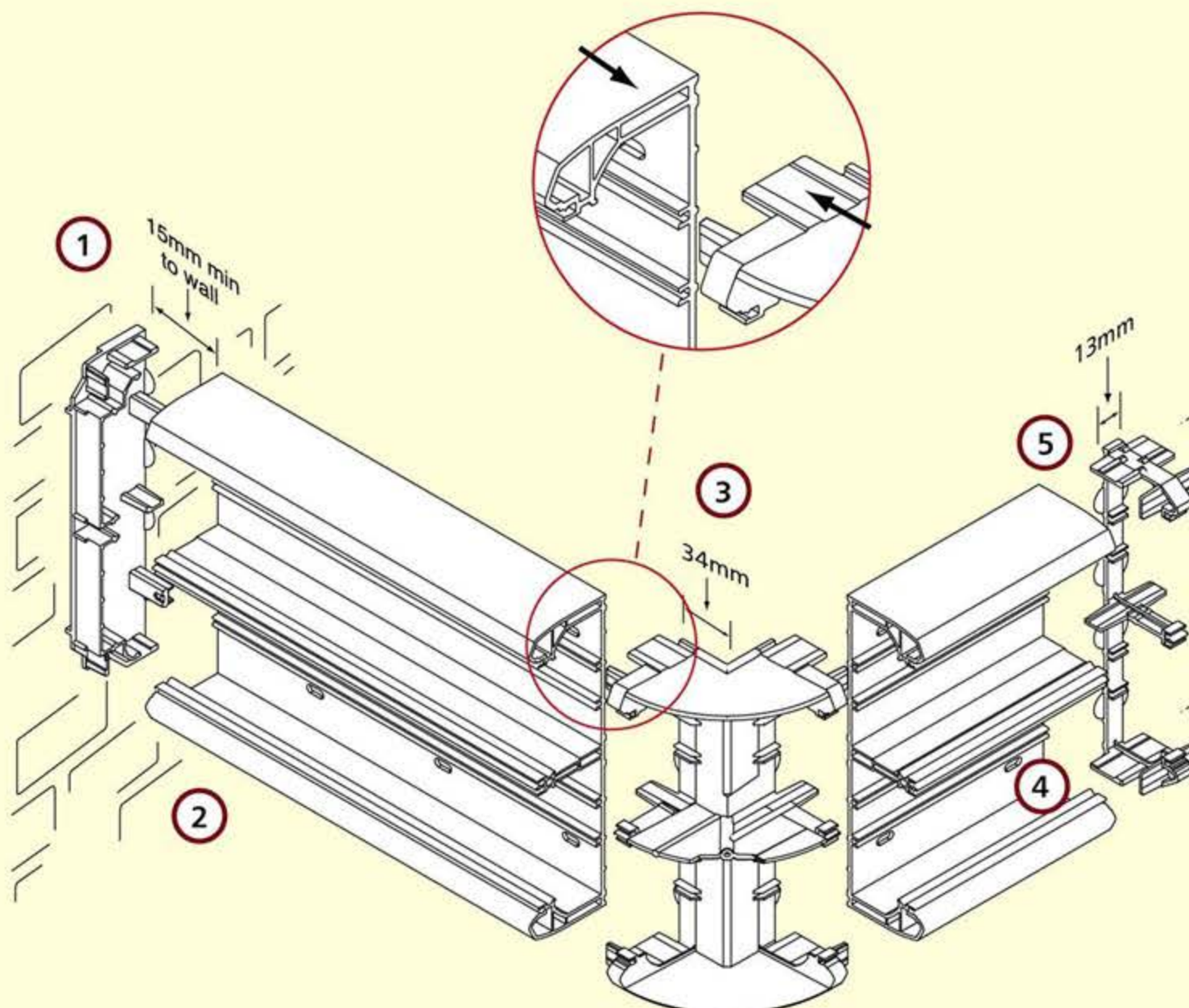
Tools and sundries required for installation:

1. Fine toothed tenon saw or a hacksaw with a 32 – 26 TPI blade for cutting the trunking, or preferably a circular saw with a 350mm diameter fine tungsten tipped blade (100TPI approx.)
2. All purpose knife or fine file for trimming of trunking
3. Spirit level, Plumb Bob and chalk line
4. A range of screwdrivers (flat or cross point) to suit fixing screws and Earth Carrier Connectors
5. A 5.5mm Ø drill bit and No.8 Round head or Pan head screws with suitable washers to secure the trunking.
6. Soft faced mallet to aid lid fitting

Planning the Installation

It is important to spend some time planning the installation, before starting. Time spent on planning the layout at this stage can avoid mistakes later on. The installation is designed for a non-conductive substrate, if you have any queries please contact: MK Technical Sales Service Department. Telephone 01268 563720.

1. Surface to which the trunking is to be installed should be flat and prepared for decorating.
2. Establish the layout of the trunking run with particular attention to the following: -
 - a. Changes in direction of the trunking.
 - b. The position of any feeds to or from the system.
 - c. The position of any connections with existing trunking/wiring systems.
 - d. Allow for minimum distances between corners, couplers, screw fixings, angles and tees (please see individual technical sections for details).
 - e. When installing at skirting level, ensure room is also allowed for future floor coverings to be fitted below trunking.

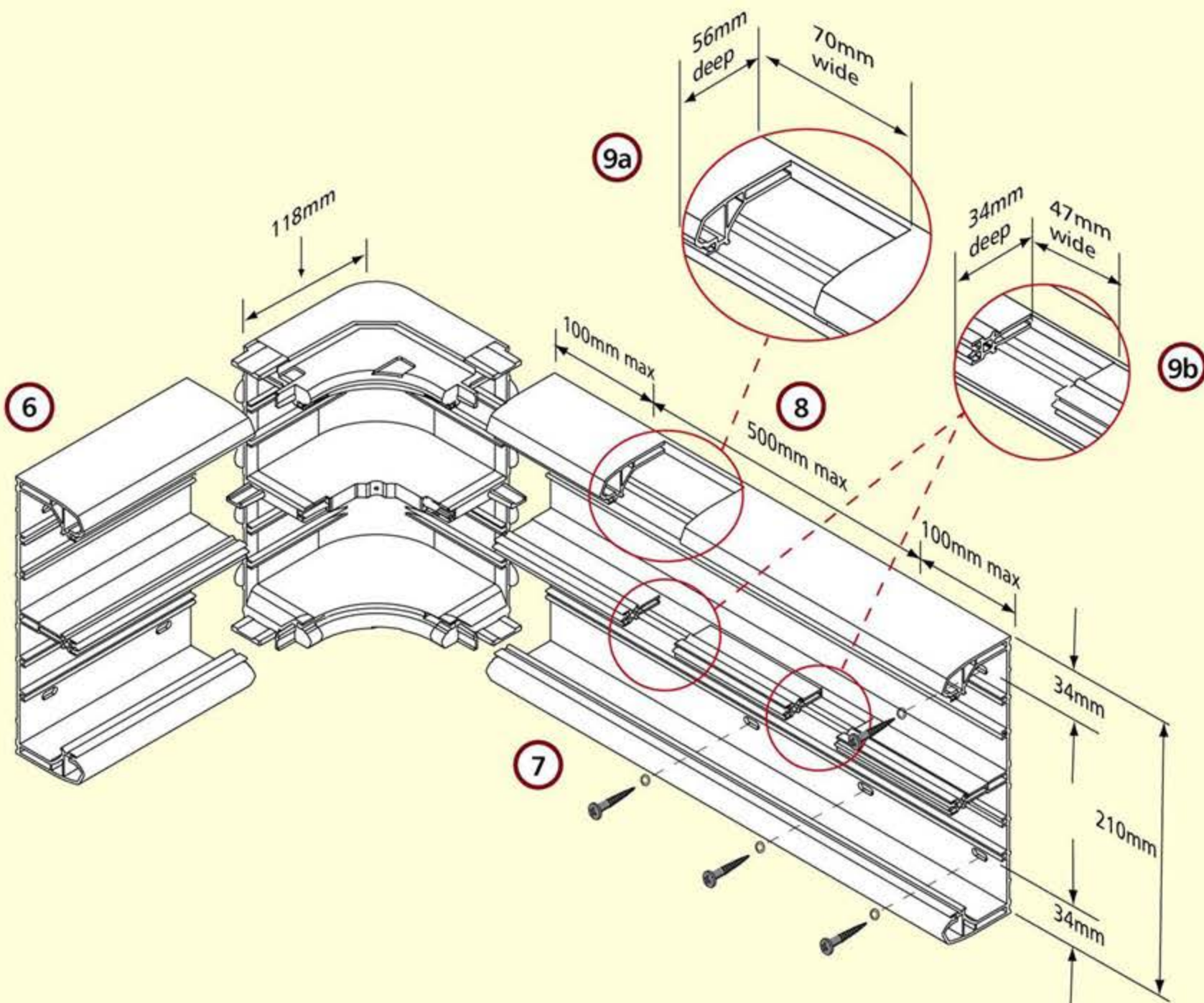


Data Trunking System

General notes

Prior to installation strike a line of trunking using a plumb and chalk line for vertical, and spirit levels for horizontal runs.

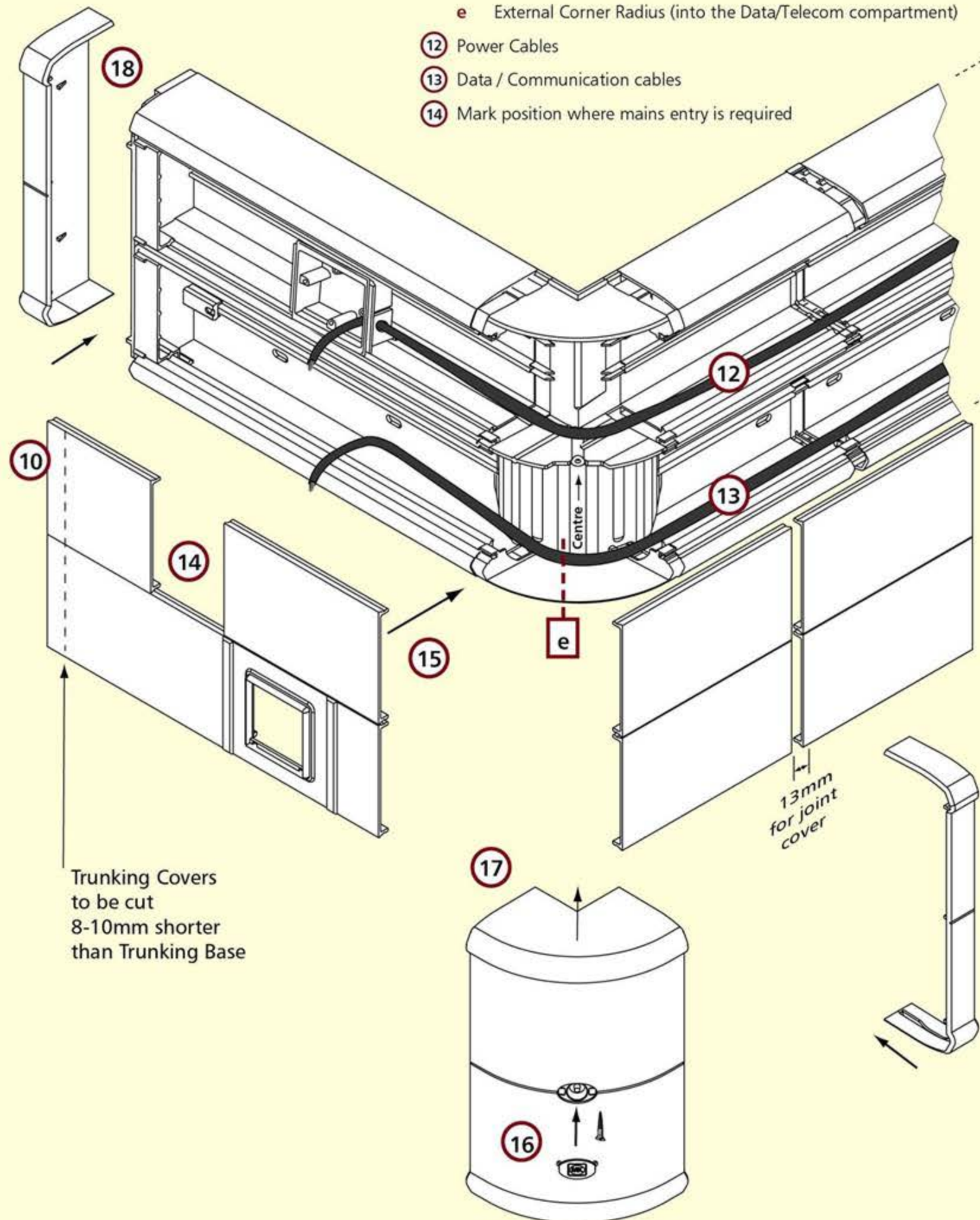
- ① Drill Holes in supporting walls prior to fixing
- ② When mounting at skirting level allowance should be made for thickness of floor finish
- ③ Start Installation at a corner position
- ④ Debur all carrier cut ends
- ⑤ Carrier couplers must be placed at all junctions between carriers
- ⑥ Leave a gap of 5mm for expansion in long runs
- ⑦ Fixings require washers and No. 8 Round or Pan head screws
- ⑧ Fixings to be at 500mm centres and also at points within 100mm of each end
- ⑨ Cut trunking to allow for mini trunking / conduit (9a) and box adaptor crossover bridge (9b).



Data Trunking System

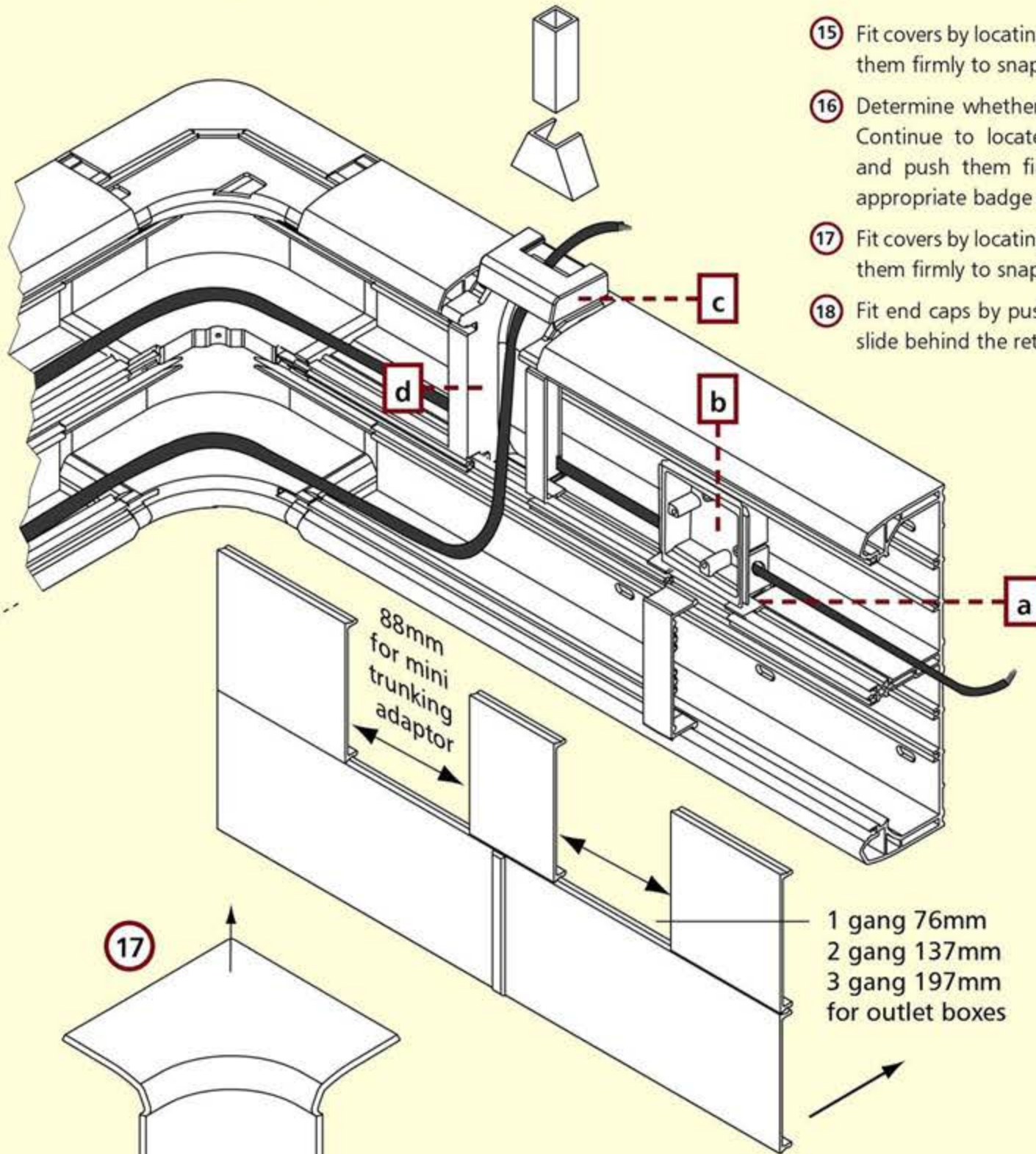
Installation guide continued

- ⑩ Debur all cover cut ends
- ⑪ Insert accessories in the following order
 - a Box adaptor
 - b Accessory Boxes
 - c Appropriate slide (VTS2081 shown)
 - d Cross over bridge
 - e External Corner Radius (into the Data/Telecom compartment)
- ⑫ Power Cables
- ⑬ Data / Communication cables
- ⑭ Mark position where mains entry is required



Trunking Covers
to be cut
8-10mm shorter
than Trunking Base

Data Trunking System



- 15 Fit covers by locating them correctly into position and pushing them firmly to snap in place.
- 16 Determine whether corners need to be screw fixed (**Fig 1**). Continue to locate correctly the Corner and Joint covers and push them firmly until they snap into place. Fit the appropriate badge to the Corner Covers.
- 17 Fit covers by locating them correctly into position and pushing them firmly to snap in place.
- 18 Fit end caps by pushing them on from the front so the clips slide behind the retainers and engage in the main carrier.

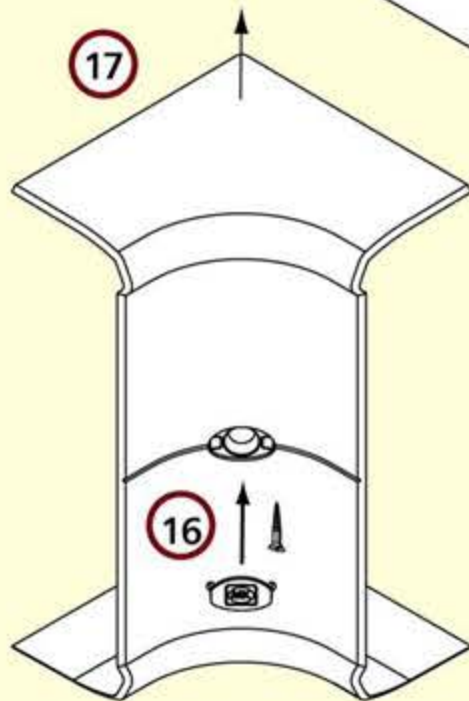


Figure 1

