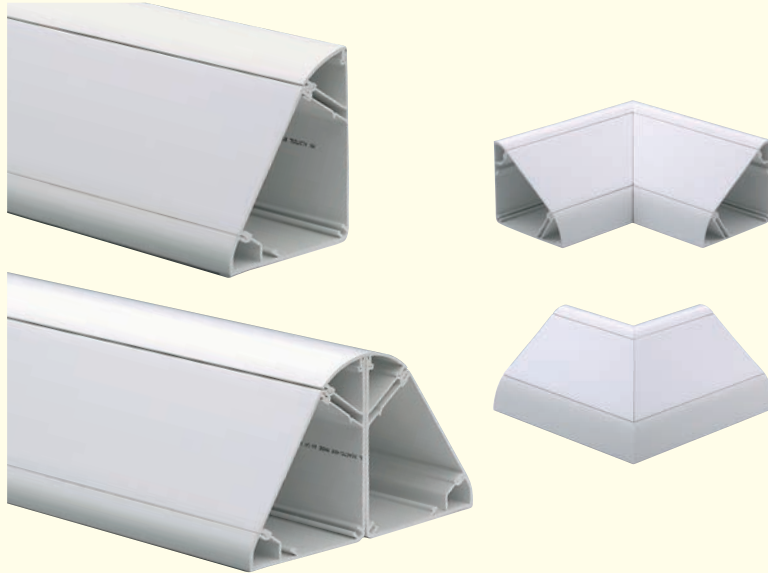


Bench and Shelf Trunking

Features

- Available in a single or double configuration
- May be fitted either direct to the work surface or inverted above the working area
- Cable segregation is provided by two separate compartments with the facility to further subdivide the main compartment by means of a clip-in cable divider
- Single profiles may be converted to a back to back double assembly. A one-piece centre lid and double end caps complete the coupling
- Prefabricated internal and external corners
- Coupler sets for greater strength and protection
- Bench units are also available to match the system
- All extrusions manufactured from 90% recycled material*



Description

Pinnacle is an angular bench trunking system ideally suited for distributing LV electrical and communication services in laboratories, schools and workshops and other applications where the service contacts are mounted on or above desks and benches.

Technical specification

Materials

PVCu materials used in the manufacture of MK products are self extinguishing non-flame propagating in accordance with BS 4678 Part 4.

Extrusion material has been tested by a UKAS accredited laboratory in accordance with the requirements of BS476: part 7 and has achieved a Class 1Y.

Moulding material has been tested by a UKAS accredited laboratory and conforms with IEC 695-2-1 at a severity of 650°C

IEE Wiring Regulations

Designed and manufactured to comply in all respects with BS 7671: 2008 (IEE wiring regulations 17th Edition: 2008)

Quality Assurance

The system is manufactured to BS EN ISO 9001

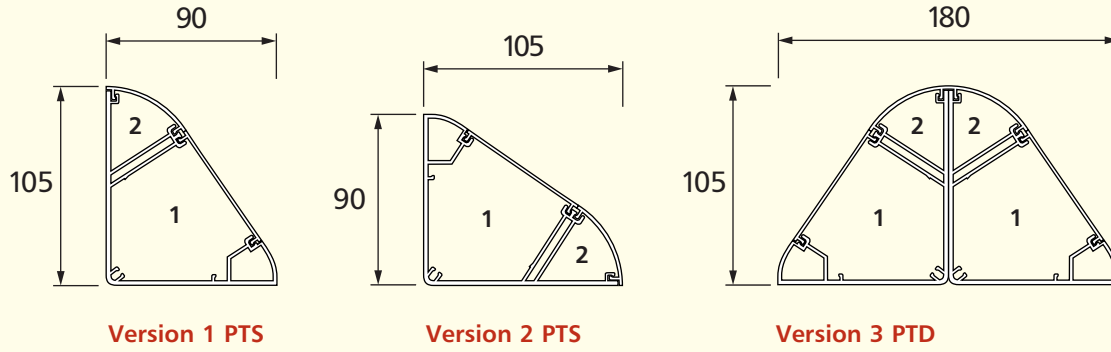


Pinnacle trunking is available in a choice of colours, White and Special. The Special offers a choice of over 180 RAL paint colours.

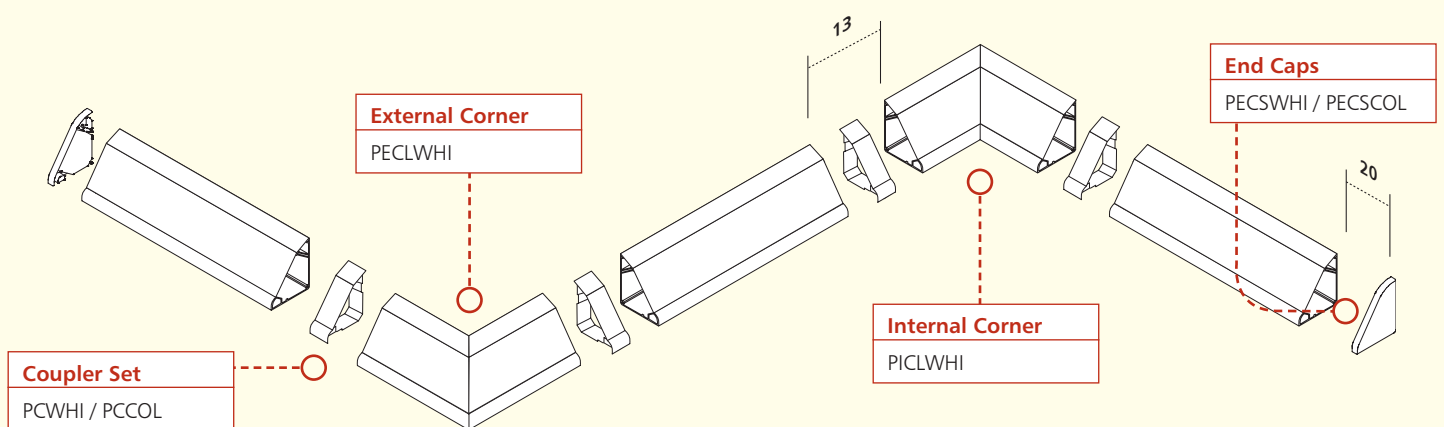
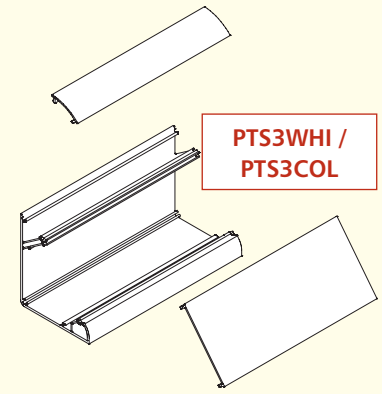
* Based on 2008 consumption

Bench and Shelf Trunking

Dimensions (mm)



PINNACLE CABLE CAPACITY										
Type of Conductor	Size	Cable Factor	Compartment 1		Compartment 1 with 25mm backbox		Compartment 1 with 35mm backbox		Compartment 1	
			Full Term CSA 100% Fill (mm²)							
			4510	2499	1857	460				
			Term at 45% Fill (mm²)							
			2029	1124	835	207				
Power Cables			Number of Cables at 45% Fill							
PVC Stranded	1.5mm ²	8.6	235	130	97	24				
	2.5mm ²	12.6	161	89	66	16				
	4mm ²	16.6	122	67	50	12				
	6mm ²	21.2	95	53	39	9				
Data Cables			Number of Cables at 45% Fill (a) and Full Capacity (b)							
			a	b	a	b	a	b	a	b
Cat5E UTP	5.5mm dia.	30.2	67	149	37	82	27	61	6	15
Cat5E STP	6.0mm dia.	36.0	56	125	31	69	23	51	5	12
Cat6 UTP	6.5mm dia.	42.2	48	106	26	59	19	44	4	10
Cat6 STP	7.0mm dia.	49.0	41	92	22	51	17	37	4	9



Installation guide

General notes

Prior to installation strike a line of trunking using a plumb and chalk line for vertical, and spirit levels for horizontal runs.

Incoming Supply Cables

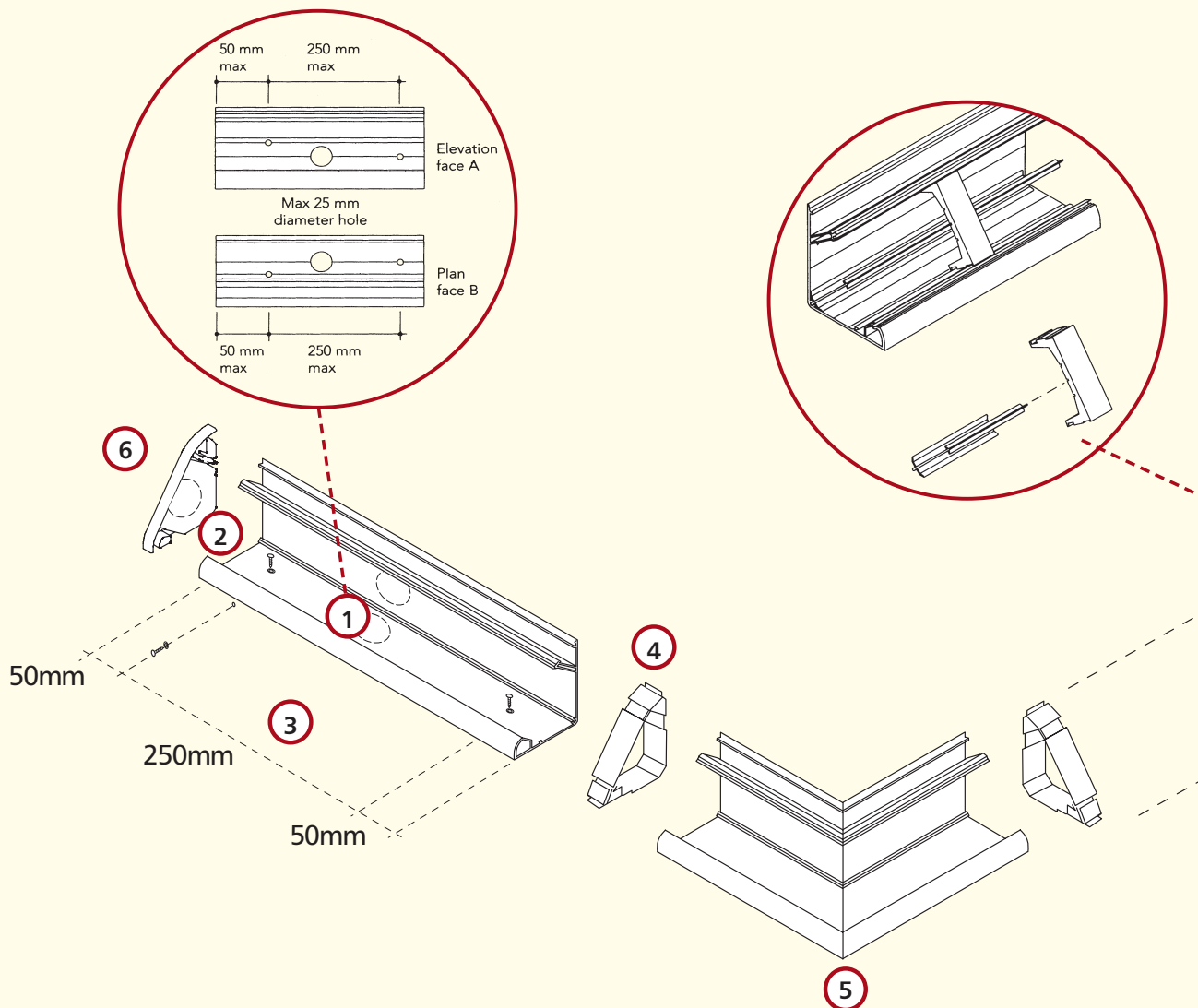
- 1 Establish location of incoming cable supplies. Entry into the trunking can be from the back, base or end caps and is achieved by drilling up to a 25mm hole using the drill base centres in the trunking and inserting a conduit gland.
- 2 Holes of 20mm can be drilled into the end caps for access to the large compartment using one of a series of moulded drill centres.

Fixing

- 3 Trunking requires fixing at staggered centres, 250mm maximum along the length with the first and last fixing not more than 50mm from the end of each length. Drill trunking with 6mm holes using drill guides and fix with pan or round head screws and washers (Note: Tighten screws

firmly and back off slightly to allow for movement). For double trunking installation fix both bases this way.

- 4 Couplers - Always use a trunking coupler and cover at the junction between each length and at corners to maintain IP4X Classification. To fix push the coupler carrier onto the end of the free trunking length. Slide up to fixed trunking and push home.
- 5 Internal and External Corners – Remove covers. Push a coupler onto each end and assemble to trunking. Position trunking and corner. Check that the internal corner base fits snugly into the corner. Fix trunking base as previously described.
- 6 End caps – Having located the length of trunking and cut if required push fit the end cap firmly onto the trunking ensuring that it is butted up tight. Note: where greater retention is required use MK adhesive EW PLUS to bond the end cap to the trunking base only. Avoid adhesive contact with covers.
- 7 Cable Retainer without central divider installed.



technical hotline +44 (0)1268 563720

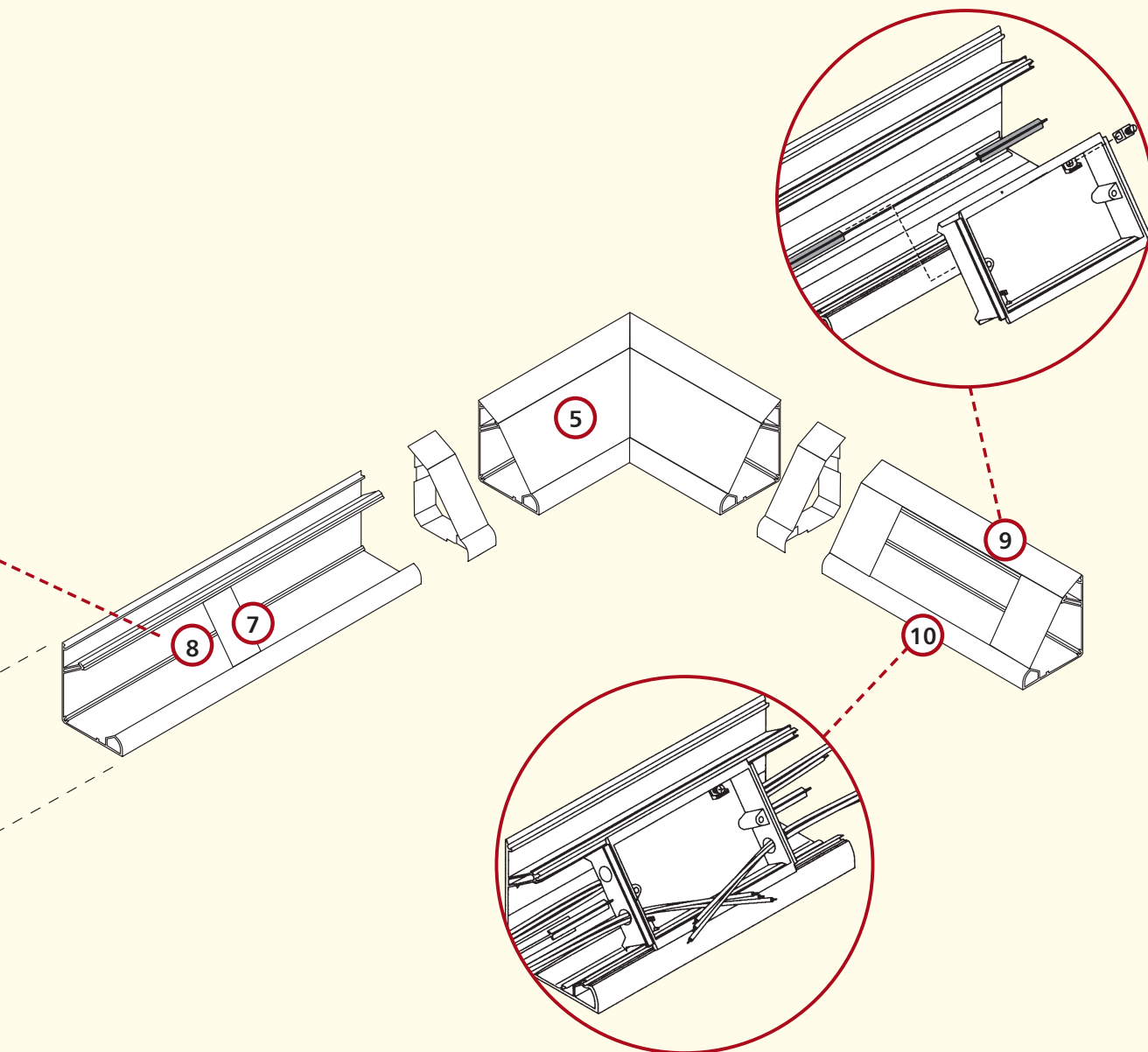
perimeter and distribution | cable management

- 8 The divider and cable retainer interlock should be installed together whenever the divider is used.

Divider – To achieve the correct fit a portion of the divider needs to be removed prior to fitting. The divider is formed with a series of depth gauge lines to assist when cutting. These also serve to determine the correct cut out when using outlet boxes. Having prepared the cut outs as required push fit the divider into the preformed groove in the internal corner of the trunking.

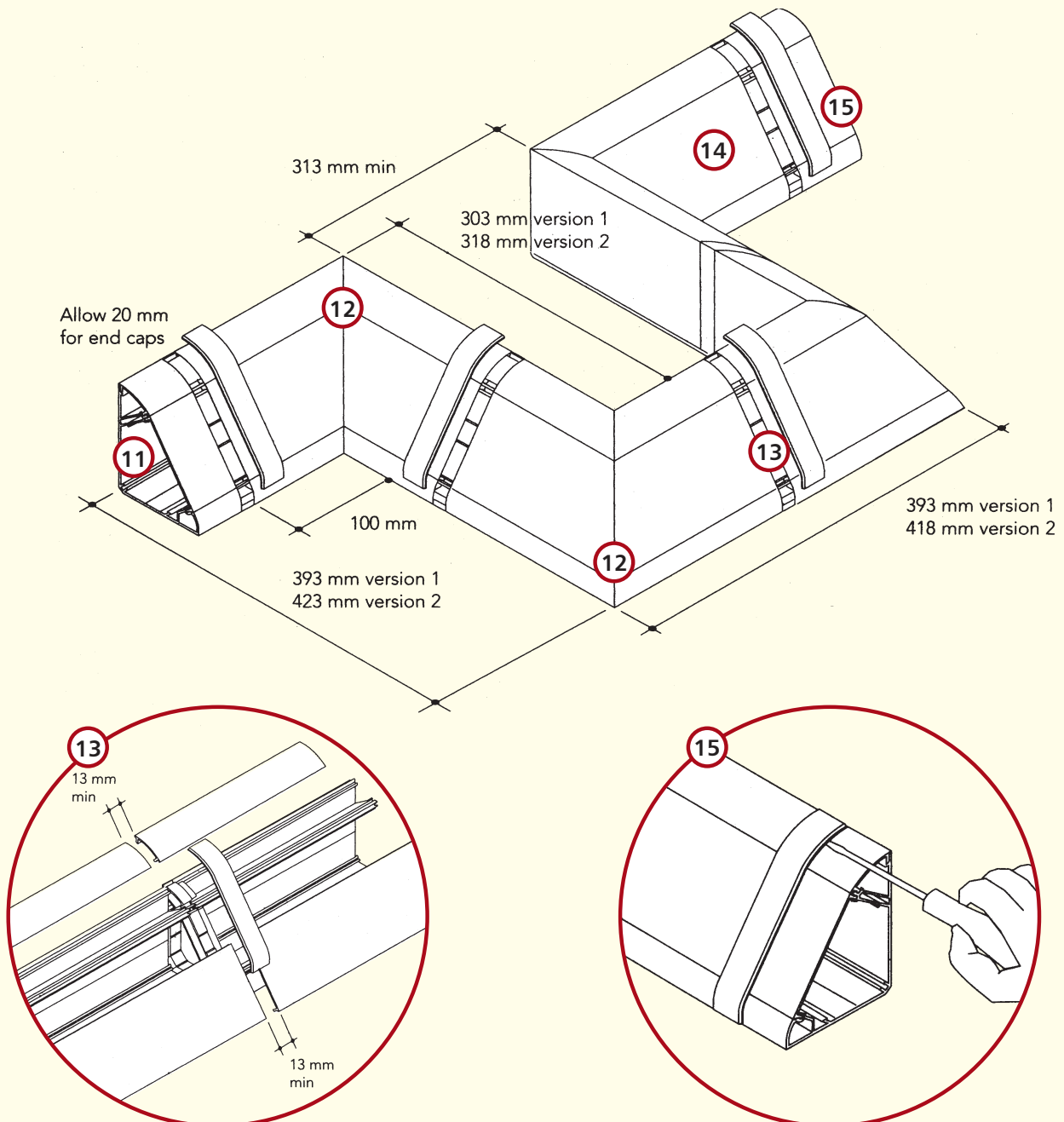
Cable Retainer – Incorporate as many cable retainers as required to provide restraint and support for cables. This is particularly critical when trunking is mounted overhead in a downward facing position. These should be no more than 600mm centres maximum and within 100mm of an end or corner. The cable retainer is supplied with a series of shallow slots. Use the centre slot to engage the outer cut edge of the cable divider. The legs of the cable retainer engage behind the projections within the large compartment.

- 9 Determine location of outlets and select correct depth box. Remove knockouts to suit cable entry. Push fit brass terminal (K3716) if required into the aperture in the base of the box.
- 10 Drill the large compartment walls using the drill guide groove to allow cables to feed when supplying from small compartment. Press and clip box into the trunking body engaging the rear projections. Note: Where dividers are installed they need to be reduced to accommodate the selected depth box. Adjacent boxes should not be more than 25mm apart.



Covers

- 11** Slide cover under end cap where required before locating correctly in position. Pushing firmly snap into place. The top cover in the double (back to back) trunking locks the two trunking bodies together.
- 12** Internal and external corner covers should be installed with couplers. Leave a gap of 13mm at the junction between corner cover and the trunking covers to allow fitting of coupler covers. Correctly position and snap firmly into place.
- 13** At joint couplers, overlap the coupler carrier flanges with the lids. The gap left between the covers will allow for the fitting of joint covers. Having satisfactorily installed all trunking covers firmly push fit the coupler covers into place overlapping all the cover completely.
- 14** Removal – Main compartment cover removal is readily achieved if a wiring accessory or coupler is present. Remove the accessory and exerting pressure to the underside of the cover with the head of a flat screwdriver to initiate disengagement, peel the cover back.
- 15** When no accessory is available remove a moulded coupler cover by placing the head of a small flat screwdriver at the junction with the trunking cover and lever outwards slowly disengaging the cover moulding. When levering off coupler covers protect trunking faces from damage. When the coupler cover is removed initiate clip disengagement of trunking covers and peel back.



Pinnacle Pillar

Standards and approvals

Conforms to the heavy duty requirement of BS 4678 Part 4 and the IP4X classification of EN 60529

CE compliant meeting the LV directive

Technical specification

Materials

PVCu materials used in the manufacture of MK products are self extinguishing non-flame propagating in accordance with BS 4678 Part 4.

Extrusion material has been tested by a UKAS accredited laboratory in accordance with the requirements of BS476: part 7 and has achieved a Class 1Y.

Moulding material has been tested by a UKAS accredited laboratory and conforms with IEC 695-2-1 at a severity of 650°C

IEE Wiring Regulations

Designed and manufactured to comply in all respects with BS 7671: 2008 (IEE wiring regulations 17th Edition: 2008)

Quality Assurance

The system is manufactured to BS EN ISO 9001



Description

Pinnacle Pillars are versatile, vertical multi-compartment systems providing a means to supply LV power, data and telecom services from ceiling or floor voids to specific perimeter locations.

Installation

This unit cannot be free standing and requires to be fully supported to an adequate wall or structure for its entire length.

See Installation Guide 41973PL for details