

Push Button Switch

Q-10457

TYPE: **R13-527D2L**

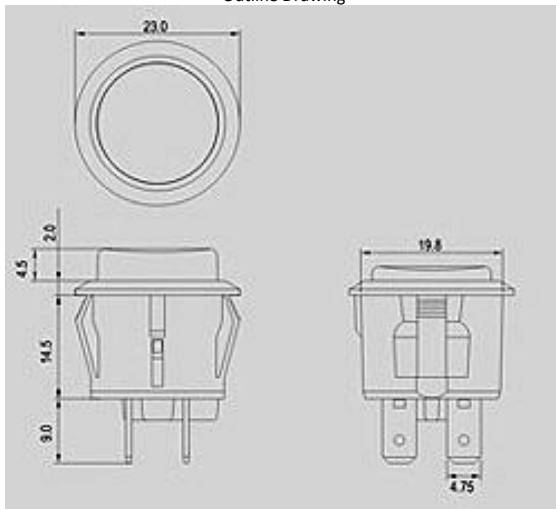


Waterproof

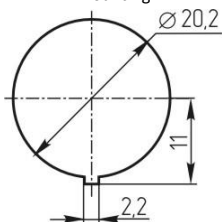
SPECIFICATIONS

Rating: 10A 12V DC
Contact R: 50mΩ max
Insulation R: 500V DC 100MΩ min
Dielectric Strength: 1 Minute 1000V AC
Operating Temperature: -25°C ~ +85°C
Electrical Life: 10, 000 Cycles

Outline Drawing



Mounting



Circuitry

