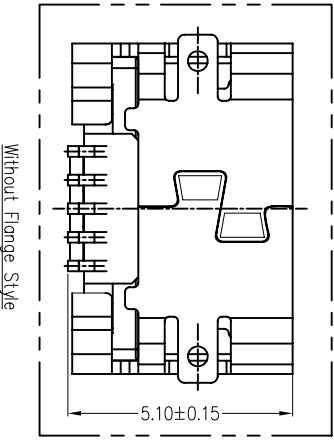
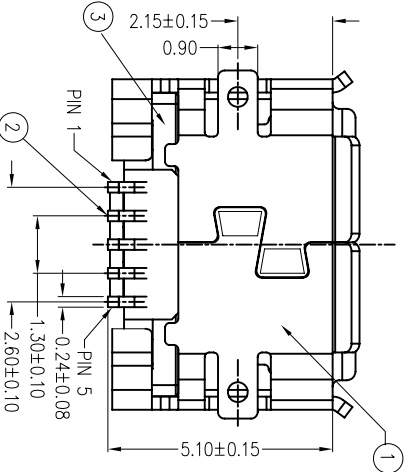
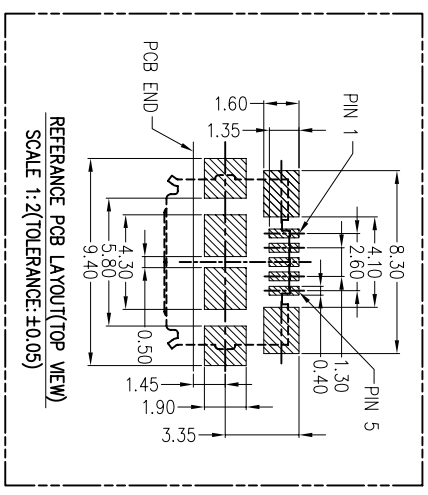


Item	Title	Q'TY
1	Shell	1
2	TermInol	5
3	InsertMolding	1



mat'l. code		surface	tolerance	projection	product family
tr	ecn no	dr	date	ASME Y14.5	ASME Y14.5
A		LS	10/21/11	angles	X±0.38
B	BLK-H-20035	Nick	5/07/15	XXX±0.25	X±0.25
				X±2	.XXX±0.10
		dr	JASON HSU	05/21/11	
		engr	JASON HSU	05/21/11	
		chr	JASON HSU	05/21/11	
		pppd	GARY HSEH	05/21/11	
sheet	revision	B			
index	sheet	1			

title	product family	USB
MICRO USB B TYPE RECEPTACLE		
dwg no	10118192	sheet 1 of 1
type	CUSTOMER Drawing	A4