

10 9 8 7 6 5 4 3 2 1

F

F

E

E

D

D

C

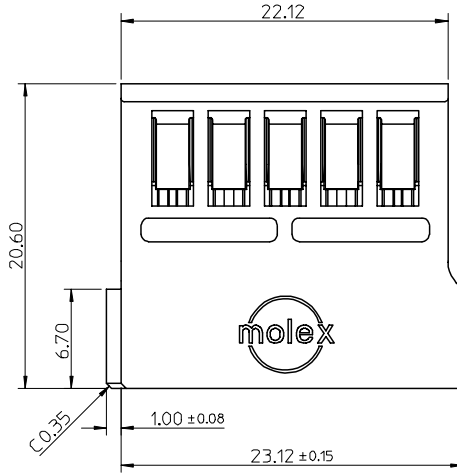
C

B

B

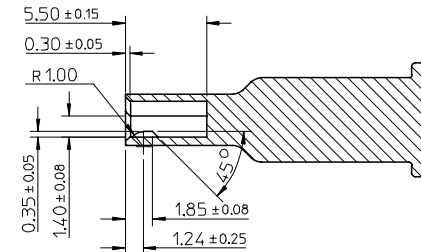
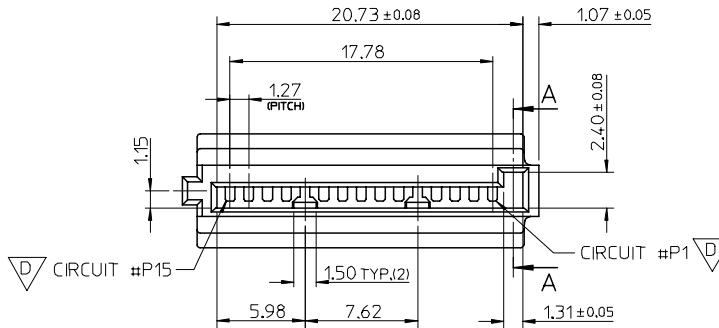
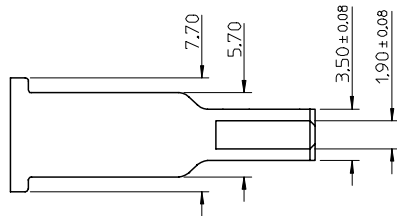
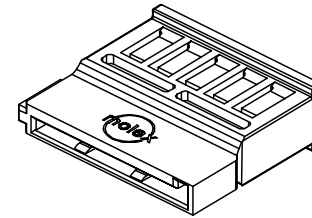
A

A



NOTES:

1. MATERIAL: THERMALPLASTIC, UL94V-0, COLOR: BLACK
2. TO BE USED WITH 67581, 5 SETS TERMINAL PER HOUSING
3. PRODUCT SPECIFICATION REFER TO PS-67490-002
4. PACKAGE SPECIFICATION REFER TO PK-67582-001



Section A-A

<p>NEW RELEASE</p> <p>EC NO: SH2006-0233</p> <p>DRWN: BCHENZ6</p> <p>CHKD: 2005/11/21</p> <p>APPR: GCHEN</p>	<p>2005/11/14</p> <p>2005/11/21</p> <p>2005/11/23</p>	<p>DESCRIPTION</p>	<p>QUALITY SYMBOLS</p> <p>▽=0</p> <p>◻=0</p>	GENERAL TOLERANCES (UNLESS SPECIFIED)		DIMENSION STYLE		SCALE	DESIGN UNITS	THIRD ANGLE PROJECTION				
						MM ONLY		3:1	METRIC					
						mm	INCH	DRAWN BY		DATE		TITLE		
								RICHARD		2002/01/30		HSG FOR SATA POWER CABLE RECEPTACLE		
				4 PLACES ± ---		± ---		CHECKED BY		DATE				
				3 PLACES ± ---		± ---		WILSON		2002/01/30				
				2 PLACES ± 0.25		± ---		APPROVED BY		DATE				
				1 PLACE ± 0.25		± ---		ERICK		2002/01/30				
				ANGULAR ± 3 °				MATERIAL NO.		DOCUMENT NO.				
				DRAFT WHERE APPLICABLE		67582-0000		SD-67582-001		SHEET NO.				
				MUST REMAIN WITHIN DIMENSIONS		SIZE		THIS DRAWING CONTAINS INFORMATION THAT IS PROPRIETARY TO MOLEX INCORPORATED AND SHOULD NOT BE USED WITHOUT WRITTEN PERMISSION		1 OF 1				
						A3								

9 8 7 6 5 4 3 2 1