



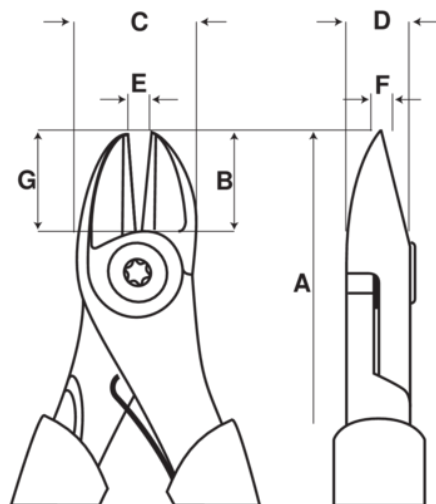
2101GC

**ERGO™ Side Cutting Pliers with
Self Opening Dual-Component
Handle and Nickel-Chrome Finish**



PRODUCT DETAILS





- Two-component ERGO™ handles: thermoplastic surface on tough polypropylene provides superior grip
- Side cutting pliers developed according to the scientific ERGO™ process
- Suitable for cutting Cu, Fe+ and piano wire
- Distance from joint to centre of cutting edges is reduced for greater leverage and increased cutting capacity
- Equipped with a patented return spring featuring an on/off function
- High-performance alloy steel
- Nickel-chrome finish, anti-corrosion treated



Follow the Fish!



PRODUCT ATTRIBUTES

| Product | A | B | C | D | E |  Cu |  Fe+ |  Piano |  g |
|---------------------|----------|----------|----------|----------|----------|--|---|---|---|
| 2101GC-125IP | 125 mm | 14.2 mm | 17 mm | 8 mm | 1 mm | 3.5 mm | 1.8 mm | 1.6 mm | 90 g |
| 2101GC-140IP | 140 mm | 16,4 mm | 19 mm | 8 mm | 1,5 mm | 3.7 mm | 2.0 mm | 1.8 mm | 120 g |
| 2101GC-160IP | 160 mm | 18,1 mm | 21 mm | 9 mm | 2 mm | 3.8 mm | 2.5 mm | 2.0 mm | 170 g |
| 2101GC-180IP | 180 mm | 20 mm | 23 mm | 10 mm | 2 mm | 4.0 mm | 2.7 mm | 2.3 mm | 230 g |

