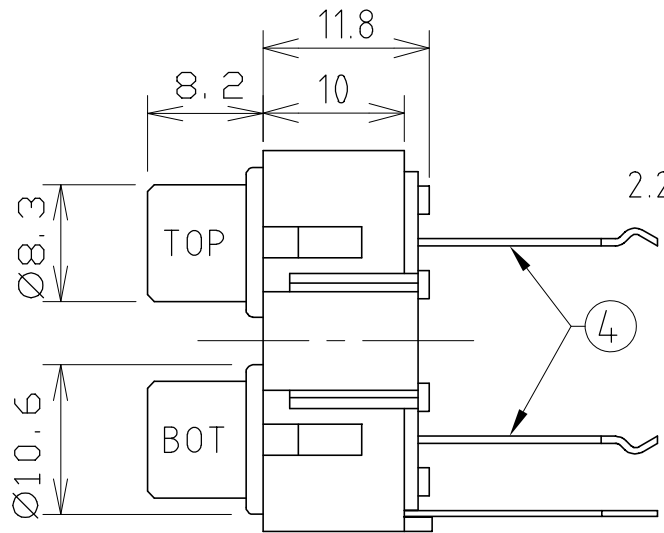
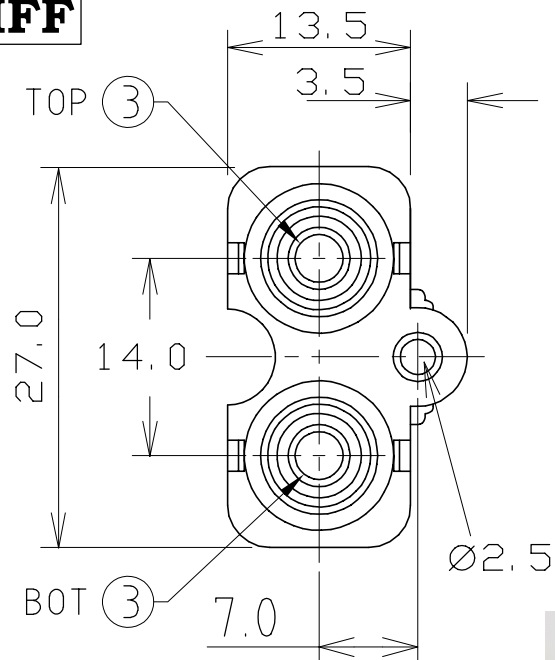
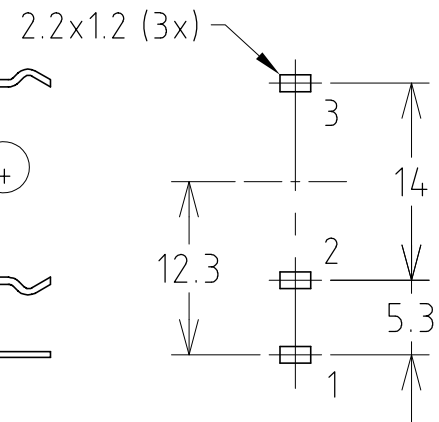


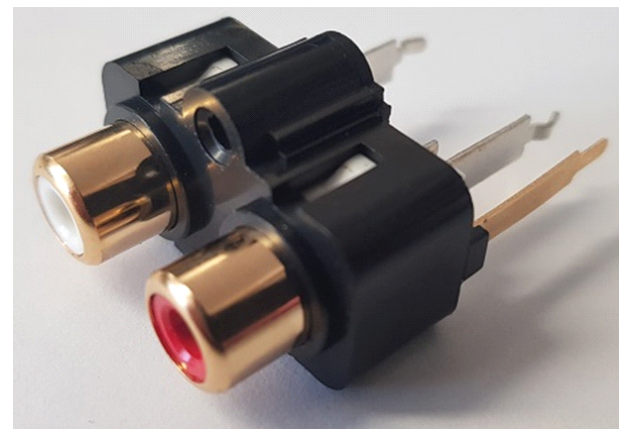
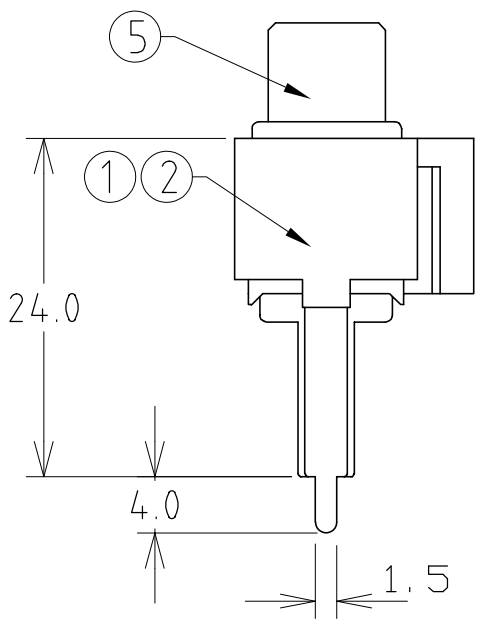
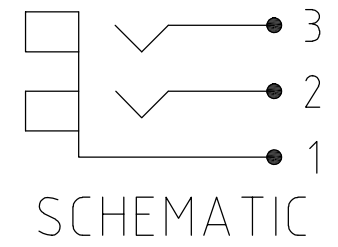
CLIFF



PC LAYOUT



ISS.	AMEND	DATE
1	1st DRAWN	10/04/96
2	FW6192 ADDED	04/12/97
3	7.00 CTR DIM ADDED	23/07/02
4	13.50 WAS 13.00	10/06/16
5	FW6192 REFERENCED	04/12/18
6	FW6195 HAS OWN DWG	17/10/19



FW6192 SHOWN

No	ITEM	MATERIAL	FINISH	QTY
1	HOUSING	PBT	BLACK	1
2	COVER	ABS	WHITE	1
3	ID WASHER	ABS	RED / WHITE	1 + 1
4	TERMINAL	BRASS	NICKEL	2
5	SHIELD	BRASS	NICKEL / GOLD	1

PART No.	MODEL	SHIELD PLATING	ID WASHER	
			TOP	BOT
FW6190	PHS-10V	NICKEL	WHITE	RED
FW6192	PHS-10VG	GOLD	WHITE	RED

RoHS
COMPLIANT

TOLERANCE
 NO DEC. PLACE ±
 1 DEC. PLACE ±
 2 DEC. PLACE ±
 HOLE Ø ±
 ANGLES ±
 UNLESS OTHERWISE STATED

Cliff Electronic Components Ltd.
 76 Holmethorpe Avenue, Holmethorpe Industrial Estate,
 Redhill, Surrey, RH1 2PF, England, UK
 Tel: 01737-771375 Fax: 01737-766012 Website: www.cliffuk.co.uk

THE CONTENTS OF THIS DOCUMENT MUST NOT BE COPIED OR DISCLOSED TO A 3rd PARTY WITHOUT WRITTEN PERMISSION OF CLIFF UK. © 1996

DIMENSIONS IN MILLIMETERS UNLESS OTHERWISE STATED. WORK TO DIMENSIONS. REMOVE ALL BURRS. IF IN DOUBT ASK.		3rd ANGLE PROJECTION:	DO NOT SCALE
MATERIAL: SEE TABLES	TITLE: DUAL PHONO PHS-10V (VERTICAL PC TYPE)		
FINISH: AS MOULDED / SEE TABLE	DRWG. No. FW6190	FORM: A4DRWGH	
DRAWN: C.A.M.J.	APPROVED: R.W.T.		