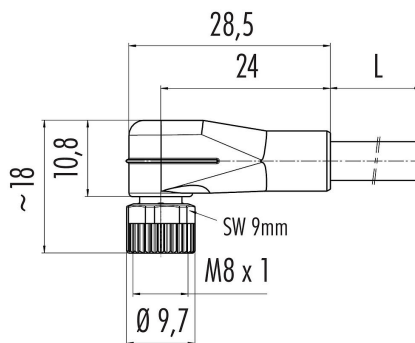


Product description	M8 female angled connector, Contacts: 3, unshielded, moulded cable, IP67, UL listed, PUR black, 3 x 0.34 mm <sup>2</sup> , 5 m
Area	M8 series 718
Part no.	77 3408 0000 50003-0500

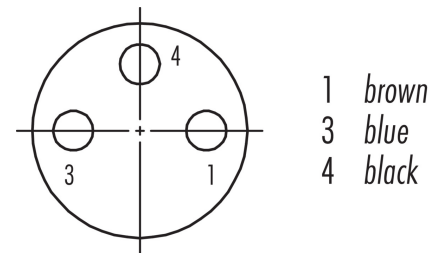
### Illustration



### Scale drawing



### Contact arrangement (Plug-in side)



## Technical data

### General features

Part no.	<b>77 3408 0000 50003-0500</b>
	Alternative part no.: 79 3408 55 03
Notice	Please note that, due to the change from the old to the new order number, there may be deviations in the technical specifications. For questions about product details, please use the 'Contact Customer Service' form on the right.
Connector design	female angled connector
Cable length	5 m
Version	female angled
Connector locking system	screw
Termination	moulded cable
Degree of protection	IP67
Cross-sectional area	0.34 mm <sup>2</sup> / AWG 22
Temperature range from/to	-25 °C / 85 °C
Mechanical operation	> 100 Mating cycles
Weight (g)	60.00
Customs tariff number	85444290

### Electrical parameters

Rated voltage	60 V
Rated impulse voltage	1500 V
Rated current (40 °C)	4,0 A
Pollution degree	3

# Product data sheet

## Automation technology - sensors and actuators



Product description	<b>M8 female angled connector, Contacts: 3, unshielded, moulded cable, IP67, UL listed, PUR black, 3 x 0.34 mm<sup>2</sup>, 5 m</b>
Area	<b>M8 series 718</b>
Part no.	<b>77 3408 0000 50003-0500</b>

Overvoltage category	II
Insulating material group	II
EMC compliance	unshielded

### Material

Housing material	PUR
Contact body material	PUR
Contact material	CuZn (brass)
Contact plating	Au (gold)
Locking material	Zinc die-cast nickel-plated
REACH SVHC	CAS 7439-92-1 (Lead)
SCIP number	f42d9c2e-4939-4201-a2e1-5e2634cbb076

### Authorization/approvals

Approvals	UL listed
-----------	-----------

### Classifications

eCl@ss 11.1	27-06-03-11
ETIM 7.0	EC001855

### Declarations of conformity

Low Voltage Directive	2014/35/EU (EN 60529:1991;EN 60204-1:2018)
RoHS Directive	2011/65/EU (EN 50581:2012)

### Cable data - Structure of the cable

Cable diameter	4.3 mm
Cross section	3 x 0.34 mm <sup>2</sup>
Sheath material	PUR
Single-lead insulation	PP9Y halogen-free
Single-lead structure	43 x 0.10 mm
Cable color	black

### Cable data - Electrical properties

Conductor resistance	60 Ω/Km (20°C)
----------------------	----------------

### Cable data - Mechanical properties

Bending radius, fixed cable	≥ 5 x Ø
Bending radius, moving cable	≥ 10 x Ø



# Product data sheet

## Automation technology - sensors and actuators



Product description	<b>M8 female angled connector, Contacts: 3, unshielded, moulded cable, IP67, UL listed, PUR black, 3 x 0.34 mm<sup>2</sup>, 5 m</b>
Area	<b>M8 series 718</b>
Part no.	<b>77 3408 0000 50003-0500</b>

Bending cycles	>5 million
Permitted acceleration	≥ 5 m/s <sup>2</sup>
Travel distance, horizontal	≥ 5 m
Travel distance, vertical	≥ 5 m
Travel speed	≤ 3.33 m/s

### Cable data - Thermal properties

Temperature range cable in move from/to	-25 °C / 80 °C
Temperature range cable fixed from/to	-50 °C / 80 °C

### Cable data - Other features

Halogen free	Yes
--------------	-----



Product description	<b>M8 female angled connector, Contacts: 3, unshielded, moulded cable, IP67, UL listed, PUR black, 3 x 0.34 mm<sup>2</sup>, 5 m</b>
Area	<b>M8 series 718</b>
Part no.	<b>77 3408 0000 50003-0500</b>

### **Security notices**

The connectors have been developed for applications in plant engineering, control and electrical equipment construction. The user is responsible for checking whether the connectors can also be used in other areas of application.

Plug connectors with enclosure protection IP 67 and IP 68 are not suitable for use under water. When used outdoors, the plug connectors must be protected separately against corrosion. For further information on the IP protection classes, please refer to the "Technical Information" download centre.

To lock the cable connector with the device connector, the threaded ring is tightened "hand-tight" (approx. 50 cNm).