

LOCK SWITCH

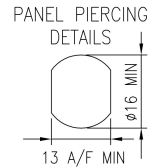
SRL LOCK SWITCH

ELECTRICAL & MECHANICAL SPECIFICATION

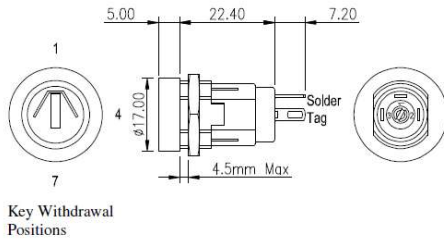
Switch Rating:	1A @24V ac/dc 1A @115V ac	Life:	>10,000 Cycles
Carrying capacity (non switching):	5A	Lock Type:	5 Disc
Proof Voltage:	750 Vac (Initial)	Operating Temperature:	-20°C to +65°C
Insulation Resistance:	>999MΩ @ 500Vdc (Initial)	Lock Housing:	Zinc Alloy Bright Cr Plated
Contact Resistance:	<20mΩ (Initial)	Moulding Material:	Polyamide 6.6 G.F. V0 Rated
Contact Material:	Brass CZ108, Ag Plated		

FEATURES

Front assembly	2 keys per switch	Moulded bezel available for parallel lock headed version (SRL02101 see below)
Single or Double pole	Up to 200 differ key combinations available	Made In UK
Rear panel depth <30mm	Keys are double entry (can be inserted into lock either way up)	
Max panel thickness 4.5mm		



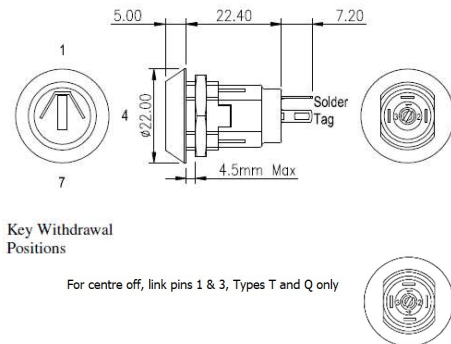
SINGLE POLE LOCK SWITCH



PARALLEL LOCK HEAD 90° INDEXING

BASIC PART No.	TOTAL MOVEMENT	INDEXING	KEY WITHDRAWAL POSITIONS	SWITCH CONFIGURATION
SRL-5-A	90°	90°	1,4	
SRL-5-B	90°	90°	1 ONLY	
SRL-5-C	180°	90°	1,4,7	
SRL-5-R	180°	90°	1,4	
SRL-5-S	180°	90°	1 ONLY	
SRL-5-N	180°	90°	1,4,7	

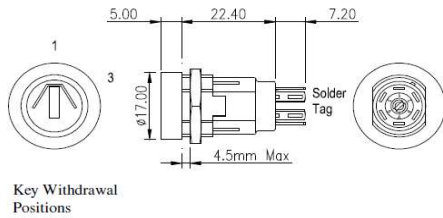
SINGLE POLE LOCK SWITCH



TAPERED LOCK HEAD 90° INDEXING

BASIC PART No.	TOTAL MOVEMENT	INDEXING	KEY WITHDRAWAL POSITIONS	SWITCH CONFIGURATION
SRL-5-D	90°	90°	1,4	
SRL-5-E	90°	90°	1 ONLY	
SRL-5-F	180°	90°	1,4,7	
SRL-5-V	180°	90°	1,4	
SRL-5-W	180°	90°	1 ONLY	
SRL-5-P	180°	90°	1,4,7	
SRL-5-T	180°	90°	1,4,7	
SRL-5-Q	180°	90°	4 ONLY	

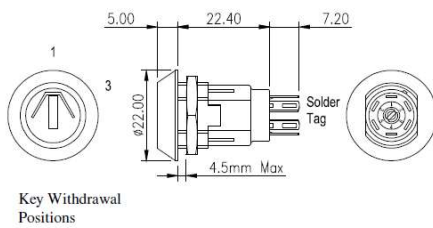
DOUBLE POLE LOCK SWITCH



PARALLEL LOCK HEAD 60° INDEXING

BASIC PART No.	TOTAL MOVEMENT	INDEXING	KEY WITHDRAWAL POSITIONS	SWITCH CONFIGURATION
SRL-5-J	60°	60°	1,3	
SRL-5-K	60°	60°	1 ONLY	

DOUBLE POLE LOCK SWITCH



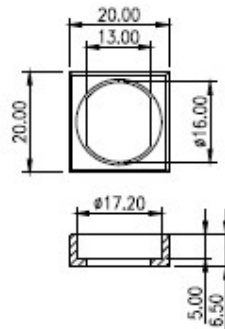
TAPERED LOCK HEAD 60° INDEXING

BASIC PART No.	TOTAL MOVEMENT	INDEXING	KEY WITHDRAWAL POSITIONS	SWITCH CONFIGURATION
SRL-5-L	60°	60°	1,3	
SRL-5-M	60°	60°	1 ONLY	

OPTIONAL MOULDED BEZEL

FOR PARALLEL LOCK HEADED VERSIONS _

PART NUMBER SRL02101



SRL ORDERING CODE

