

E-tec offers any configuration.

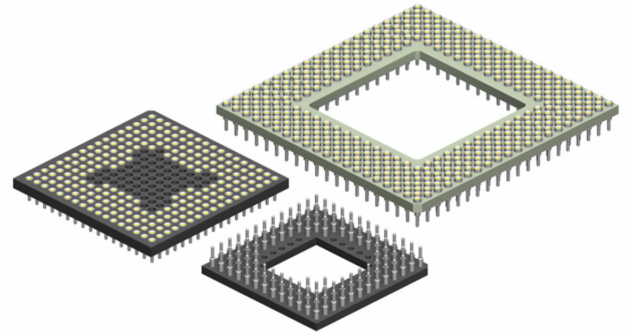
You may choose between open frame and closed frame socket bodies.

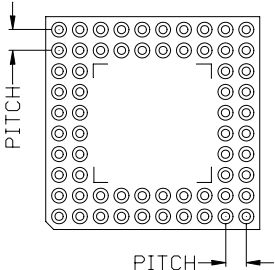
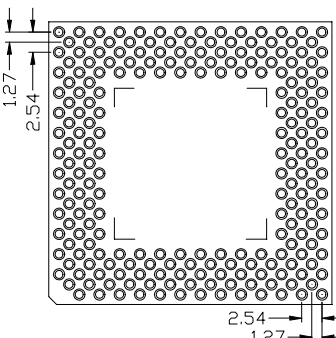
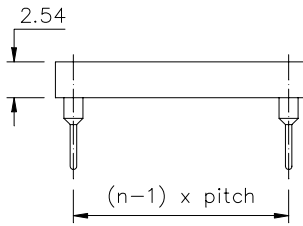
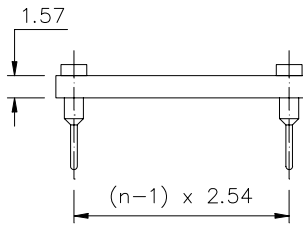
The E-tec PGA sockets with Insulator code "S" will be supplied either in plastic or FR4 Epoxy depending on material availability.

If you wish to receive the sockets in FR4 Epoxy material only, then you need to specify the code "E" in the order code.

If you only accept plastic, then you have to request E-tec for availability first.

All interstitial PGA (PGI) and Mini-Grid sockets (MGS) in any grid size and standard PGA sockets with grid size 19x19 or higher are delivered in FR4 Epoxy only.



Series PGA & MGS	Series PGI Interstitial zig-zag pitch	Plastic insulator dimensions	Epoxy FR4 insulator dimensions For PGI Sockets generally
<p>Pitch 1.27mm (.050") or 2,54mm (.100")</p> 	<p>2,54mm/1,27mm (.100"/.050")</p> 		

**Specifications**

**Mechanical data**

Insertion force (avg)	0,70 N for PGA / 0,40 N for PGI
Extraction force (standard)	0,25 N for PGA / 0,15 N for PGI
Contact life	min. 100 cycles
Solderability	exceeds MIL-STD-202 Method 208
Water absorption during 24hrs at 20°C	0,05%

**Material**

Insulator: "S" version (RoHS compliant)	standard temp PBT plastic UL 94 V-0
"E" version (RoHS compliant)	Glass Epoxy FR 4
Terminal (RoHS compliant)	CuZn
Contact (RoHS compliant)	BeCu

**Electrical data**

Contact resistance at 1A	4,3 mΩ typ.
Current rating	1A max. 100V
Contact capacitance at 1MHz	2 pF max.
Insulation resistance at 500V DC	5 x 10 <sup>9</sup> Ω min.
(MIL-STD-1344 Method 3003)	
Breakdown voltage at 60 Hz	1 KV min.
(MIL-STD-1344 Method 3001.1)	
Contact resistance after 1000 ins./ext. cycles	≤7 mΩ

**Operating temperature**

-55°C to +125°C

**How to order**

XXX - xxx - X xxx - xx X - xx

<p><b>Series</b></p> <p><b>PGA</b> = Pin Grid Array pitch 2,54mm (.100")</p> <p><b>PGI</b> = Interstitial PGA pitch 2,54mm / 1,27mm (.100" / .050")</p> <p><b>MGS</b> = Mini Grid Array pitch 1,27mm (.050") <i>please refer to page 16</i></p>	<p><b>Nbr of contacts</b></p> <p><i>depends on pincount of chip</i></p>	<p><b>Insulator</b></p> <p><b>S</b> = Standard for PGA PBT or FR4 Epoxy (Depending on availability)</p> <p><b>E</b> = Standard for PGI Epoxy FR 4</p>	<p><b>Terminal styles</b></p> <p><i>refer to page 43 &amp; 44</i></p>	<p><b>Grid Code</b>   <b>Config Code</b></p> <p><i>will be given by the factory after receipt of the chip datasheet</i></p> <p><i>Refer also to <a href="http://www.e-tec.com">www.e-tec.com</a> for more information</i></p>	<p><b>Plating</b></p> <ul style="list-style-type: none"> <li>- 95 = tin/gold (tin leadfree) <i>not available for adapter terminals</i></li> <li>- 55 = gold/gold</li> <li>- 99 = tin/tin (leadfree)</li> </ul>
---	---	---	---	---	--

# PGA/PGL - Series Socket Terminal Styles

