

Data sheet

Art.No.: 41.031.3053.1

Connector RST08i3 S B1 ZR1 H SW

RST08i3 connector, 3 pole, female, screw connection, application 250V/400V with PE, 8A, for cable diameters 4-7mm, coding color black, color of housing black



| | |
|------------|---------------|
| Art.No. | 41.031.3053.1 |
| EAN | 4049088481741 |
| Order Unit | 1 |

Certificates / Approvals



Technical data

General

| | |
|--|----------------------------------|
| Rated current | 8 A |
| Rated voltage | 250 V / 400 V |
| Rated impulse voltage | 2.5 kV |
| strain relief | Yes |
| Pollution degree | 3 |
| Lockable | self-locking (unlocking by hand) |
| Color of coding/ contact carrier | black |
| Marking of poles | 1, PE, 2/N |
| Color of housing inclusive strain relief | black |

Connection Data

| | |
|---|----------------------|
| Cable diameter max. | 7 mm |
| Cable diameter min. | 4 mm |
| Connection cross section solid mm ² max. | 1 mm ² |
| Connection cross section solid mm ² min. | 0.2 mm ² |
| Connection cross section fine stranded mm ² max. | 1 mm ² |
| Connection cross section fine stranded mm ² min. | 0.22 mm ² |
| Terminations per pole | 1 |
| sheath strip length | 18 mm |
| Wire strip length | 6 mm |

Model

| | |
|---------------------------|-----------------------|
| Model | female |
| Connection type | Screw connection |
| Degree of protection (IP) | IP66/68 (3m;2h) /IP69 |

Material

| | |
|------------------|-----------|
| Housing material | Polyamide |
|------------------|-----------|

| | |
|--|---------------|
| halogen free | Yes |
| Contact material | CuZn |
| Fire load | 0 kWh |
| Insulation components continuous temperature | 100 °C |
| Surface finish | Silver-plated |
| UL classification housing | UL-V0 |
| UL classification strain relief | UL-V0 |

Dimensions

| | |
|--------|---------|
| Length | 42.5 mm |
| Width | 14.9 mm |
| Height | 14.9 mm |

Classification

| | |
|------------|----------|
| ECLASS 8.1 | 27440605 |
| ETIM 7.0 | EC002560 |
| ETIM 6.0 | EC002560 |
| ETIM 5.0 | EC002560 |
| ETIM 4.0 | EC002560 |

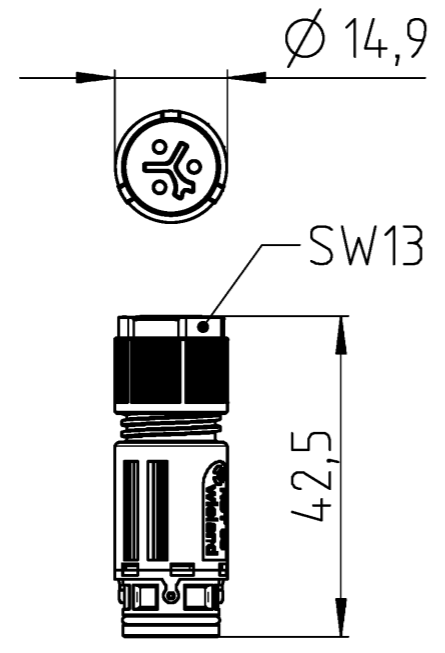
A
 Weitergabe sowie Vervielfältigung dieses Dokuments, Verwertung und Mitteilung seines Inhalts sind verboten, soweit nicht ausdrücklich gestattet.
 The reproduction, distribution and utilization of this document as well as the communication of its contents to others without express authorization is prohibited.

B
 These dimensions will be especially checked at delivery
 Only inspection dimensions
 With /E marked dimensions are only valid for internal use

C
 Diese Maße werden bei Abnahme besonders geprüft
 Ausschließlich Prüfmäße
 Mit /E gekennzeichnete Maße sind nur für interne Zwecke gültig

D
 F
 Änderung / Revision

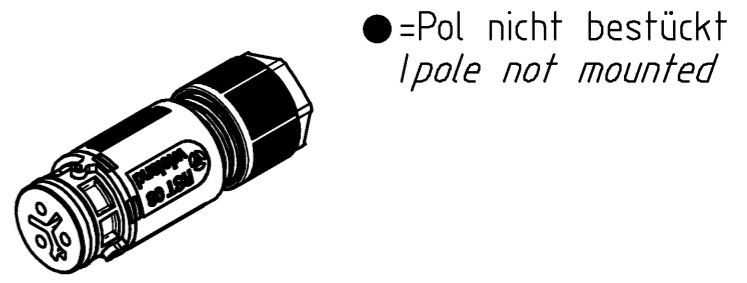
Gezeichnete Ausführung/drawn version
 41.031.3053.1



Auslieferungszustand/
 delivery status



| Teile-Nr. /part-no. | Type | Kodierung / coding |
|------------------------|-------------------------|-----------------------|
| 41.031.3053.1 | RST08i3 S B1 ZR1 H SW | C1 |
| 4L.031.3053.1 | RST08i3 S 11 ZR1 H SW | |
| 41.031.3043.9 | RST08i3 S B1 ZR1SH BL | C2 |
| 4L.031.3043.9 | RST08i3 S 11 ZR1SH BL | |
| 41.031.3041.4 | RST08i3 S B1 ZR1SHL SG | C3 |
| 4L.031.3041.4 | RST08i3 S 11 ZR1SHL SG | |
| 41.031.3051.8 | RST08i3 S B1 ZR1SHL KG | C4 |
| 4L.031.3051.8 | RST08i3 S 11 ZR1SHL KG | |
| 41.021.3043.1 | RST08i3/2S B1 ZR1 H SW | C1 |
| 4L.021.3043.1 | RST08i3/2S 11 ZR1 H SW | |
| 41.021.3043.9 | RST08i3/2S B1 ZR1SH BL | C2 |
| 4L.021.3043.9 | RST08i3/2S 11 ZR1SH BL | |
| 41.021.3041.4 | RST08i3/2S B1 ZR1SHL SG | C3 |
| 4L.021.3041.4 | RST08i3/2S 11 ZR1SHL SG | |
| 41.021.3041.8 | RST08i3/2S B1 ZR1SHL KG | C4 |
| 4L.021.3041.8 | RST08i3/2S 11 ZR1SHL KG | |



Weitere Daten siehe KATALOG oder eKatalog
 additional data see CATALOG or eCATALOG
www.wieland-electric.com
eshop.wieland-electric.com

| | | | |
|---|---|---|--|
| Tolerierung Size ISO 14405 © / Tolerance system Size ISO 14405 ©. (This ISO-standard describes the envelope principle. According to the envelope principle the deviations of form and parallelism are limited by the size tolerances). | | ja/yes <input checked="" type="checkbox"/> Stoffverbots- und Deklarationsliste nach WN 5020.010 ist einzuhalten. Conformity with Wieland document WN 5020.010 e (list of prohibited / declarable hazardous substances) to be declared! | |
| Freitoleranz nach General tolerance | CAD - Zeichnung, keine manuellen Änderungen CAD - drawing, no manual modifications allowed | 1. Verwendung: First Use: | Blatt: Sheet: 1 von 1 of 1 |
| / | Werkstoff / Material | Tag/Date | Name |
| / | | gezeichnet drawn 22.02.2018 | Hollet |
| / | Maßstab / Scale | geprüft checked | |
| / | 1:1 | Normgepr. Stand. check | |
| / | Vol. mm ³ Dfl./Srf. mm ² | Ersatz für / Replacement for: | |
| a | 12.03.2020 / Datum / Blatt Date / Sheet | Type | Benennung/Title |
| Index | | RSTmicro | BUCHSENTEIL_FA_ZE female with strain relief |
| Änderung / Revision | www.wieland-electric.com | | |