

# AP725 20W TO-263 Power Resistor **ARCOL**

- Power Dissipation 20 watts with h/s 2.25 watts no h/s
- Value Range R02 - 130K
- D<sup>2</sup>PAK housing
- Tolerance Options  $\pm 1\%$  or  $\pm 5\%$
- TCR Options  $\pm 100$  ppm/ $^{\circ}\text{C}$
- Maximum Voltage  $\sqrt{P \cdot R}$
- Dielectric Strength 2 kVac
- RoHS Compliant



## Characteristics

Tolerance (Code):	$\pm 1\%$ (F), $\pm 5\%$ (J)
Value range:	R02 to 130K (with standard resistance values)
Power rating:	20W at 25 $^{\circ}\text{C}$ case temperature
Temperature coefficient:	$\pm 100$ ppm/ $^{\circ}\text{C}$
Thermal resistance:	6.5 $^{\circ}\text{C}/\text{W}$
Inductance:	0.1 $\mu\text{H}$ maximum
Operating voltage:	$\sqrt{P \cdot R}$ with a maximum of 250V
Dielectric strength:	2kVac
Insulation resistance:	10G $\Omega$
Operating temperature:	-55 $^{\circ}\text{C}$ to 155 $^{\circ}\text{C}$

## Electrical Specifications

Parameter	Specification
Short term overload (2x Pr for R < 2 $\Omega$ , 1.6 x Pr for R $\geq$ 2 $\Omega$ , V < 1.5x operating voltage)	$\Delta R \pm 0.25\%$
Load life ( 1000 hours at rated power)	$\Delta R \pm 1.0\%$
Thermal shock (-55 $^{\circ}\text{C}$ to 155 $^{\circ}\text{C}$ , 5 cycles)	$\Delta R \pm 0.5\%$
Resistance to soldering heat (10 sec at 270 $^{\circ}\text{C}$ )	$\Delta R \pm 0.5\%$
Vibration (20 G 10 - 2000Hz .06" D.A)	$\Delta R \pm 0.25\%$
Moisture sensitivity level	1

## Ordering Procedure

Standard Resistor: Series, Resistance Value, Tolerance,  
Packaging (T&R or Tubes)  
e.g.: AP725 8R2 J T&R

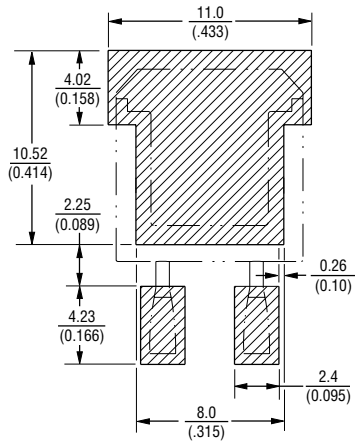
ARCOL UK Limited,  
Threemilestone Ind. Estate,  
Truro, Cornwall, TR4 9LG, UK.  
T +44 (0) 1872 277431  
F +44 (0) 1872 222002  
E sales@arcolresistors.com

[www.arcolresistors.com](http://www.arcolresistors.com)

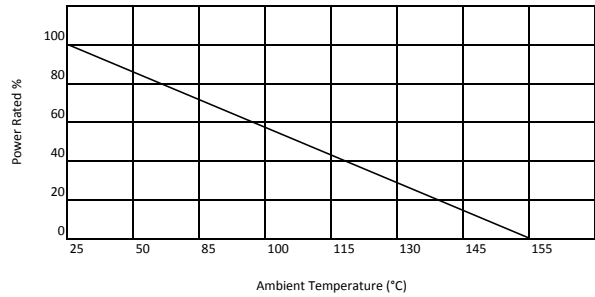
The information contained herein does not form part of a contract and is subject to change without notice. Arcol operate a policy of continual product development, therefore, specifications may change.

It is the responsibility of the customer to ensure that the component selected from our range is suitable for the intended application. If in doubt please ask Arcol.

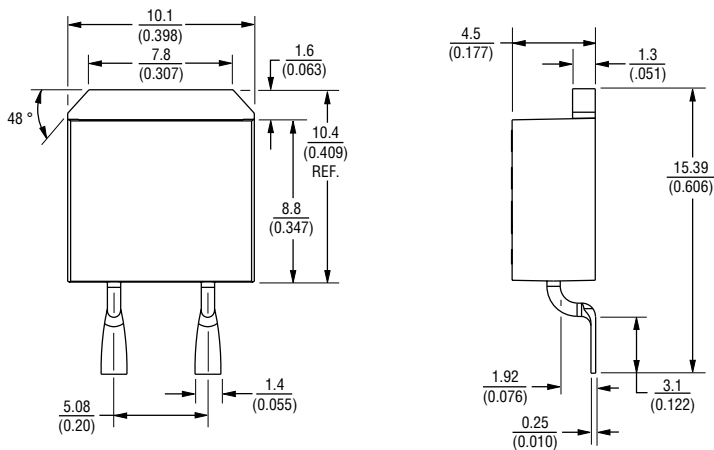
## Recommended pad layout



## Derating Curve



## Dimensions (mm/inches)



ARCOL UK Limited,  
 Threemilestone Ind. Estate,  
 Truro, Cornwall, TR4 9LG, UK.  
 T +44 (0) 1872 277431  
 F +44 (0) 1872 222002  
 E sales@arcolresistors.com

[www.arcolresistors.com](http://www.arcolresistors.com)

The information contained herein does not form part of a contract and is subject to change without notice. Arcol operate a policy of continual product development, therefore, specifications may change.

It is the responsibility of the customer to ensure that the component selected from our range is suitable for the intended application. If in doubt please ask Arcol.