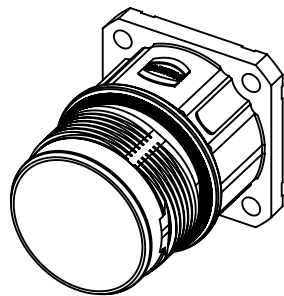
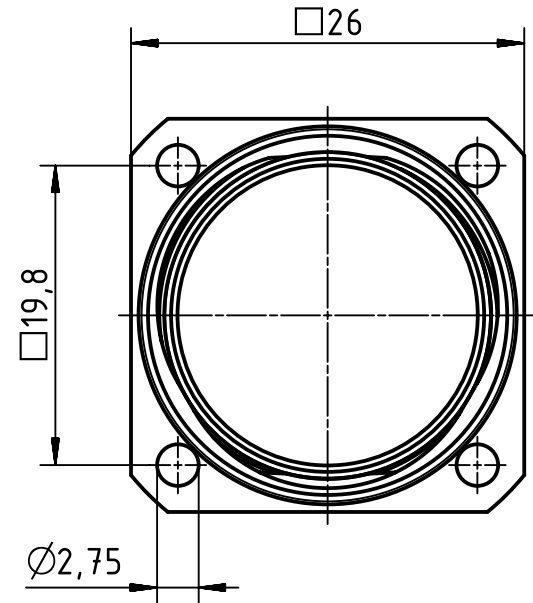
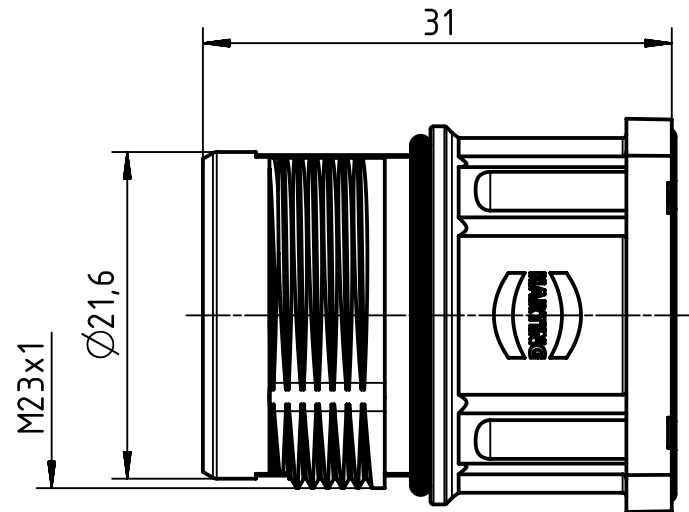
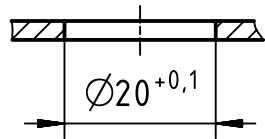
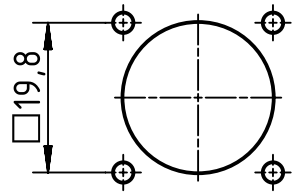



panel cut out  
(1:1)



	All rights reserved Department EL PD - DE	Created by HELLMANN		Inspected by RIEPE		Standardisation TIEMANNA		Date 2017-09-12		State Final Release	
		Title Han M23 P HBM Front 2,7mm								Doc-Key / ECM-Nr. 100734972/UGD/000/A 500000124813	
HARTING Electric GmbH & Co. KG D-32339 Espelkamp		Type TB		Number 09 15 600 0301				Rev. A		Page 1/1	
All Dimensions in mm Original Size DIN A4		Scale 2:1		Free size tol.				Ref.		Sub.	