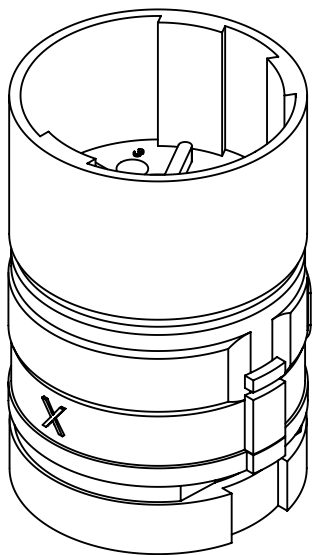
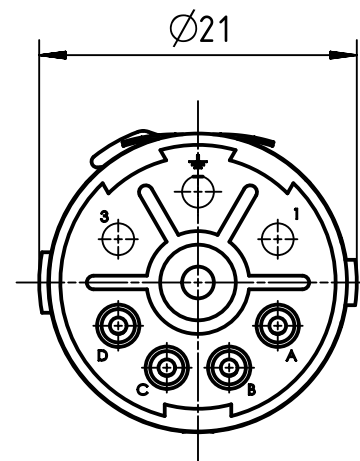
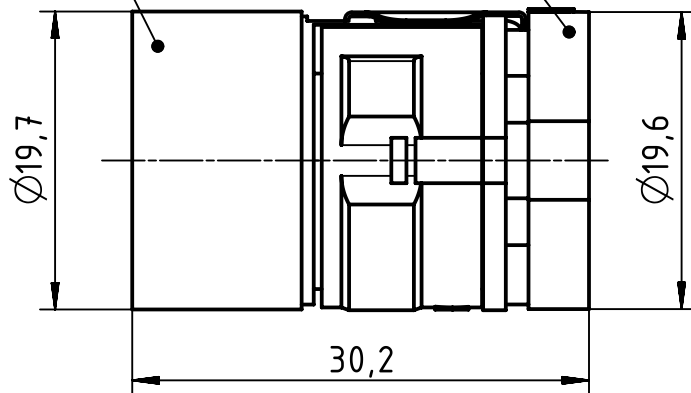



upper part, male

bottom part, male



	All rights reserved Department EL PD - DE	All Dimensions in mm Original Size DIN A4		Scale 2:1	Free size tol.	Ref.
		Created by HELLMANN	Inspected by RIEPE	Standardisation TIEMANNA	Date 2017-09-07	State Final Release
HARTING Electric GmbH & Co. KG D-32339 Espelkamp		Title Han M23 P 4+3+PE Male -C			Doc-Key / ECM-Nr. 100737236/UGD/000/A 500000124805	
		Type TB	Number 09 15 608 3001		Rev. A	Page 1/1