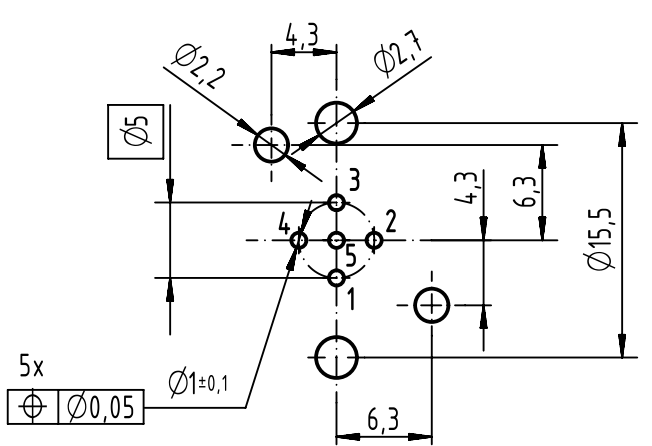
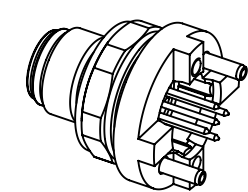
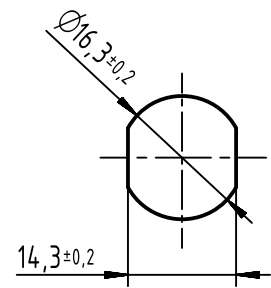


PCB layout



panel cut out (1:1)



1 top surface PCB

recommended PCB-thickness: 1,6mm

	All Dimensions in mm Original Size DIN A4		Scale 2:1	Free size tol.		Ref. Sub. TB 21033211520 / 500000056709 / 2012-11-26		
	All rights reserved Department EC PD - DE		Created by DYCKC	Inspected by EISFELD	Standardisation HOFFMANN	Date 2017-01-13	State Final Release	
HARTING Electronics GmbH D-32339 Espelkamp			Title <b>HARTING M12 PFT A-coded straight male IP67</b>				Doc-Key / ECM-Nr. 100227335/UGD/002/C 500000113666	
			Type TB	Number 21033211520			Rev. C	Page 1/1