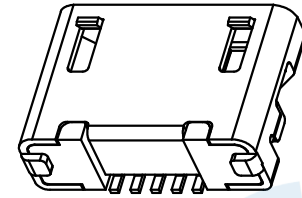
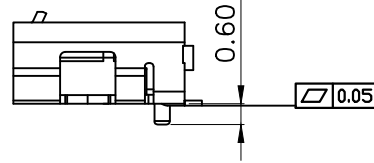
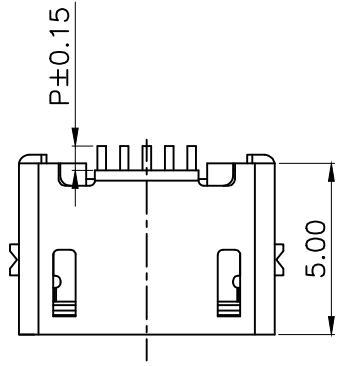


RoHS



| Pin length | |
|------------|------|
| CODE | P |
| P1 | 0.80 |
| P2 | 1.00 |
| P3 | 1.25 |

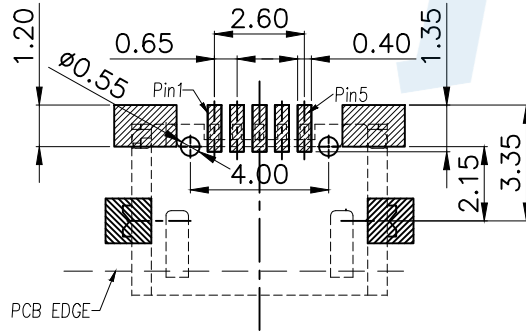
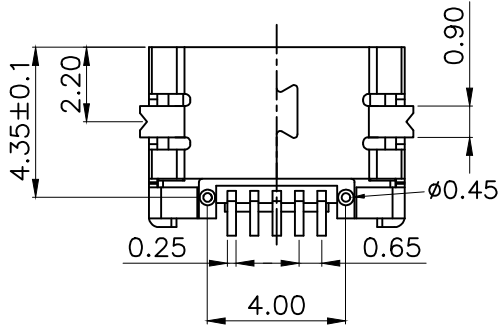
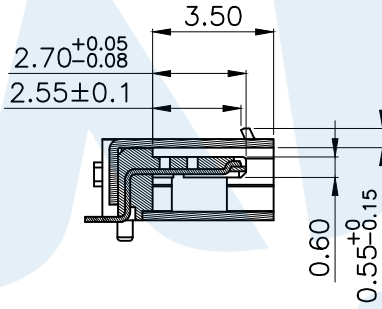
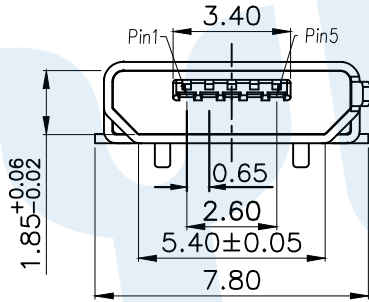
规格说明: Specifications

电气特性: Electrical

1. 额定电流: Current Rating
1.0A/contact terminal
2. 额定电压: Voltage Rating
30V DC
3. 接触阻抗: Contact Resistance
50 milliohms Max
4. 耐电压: Dielectric Withstanding Voltage
AC 100V/1MINUTE.
5. 绝缘阻抗: Insulation Resistance
100MEGA Ohms Min

物理性能: Mechanical

1. 插拔力: Connector Mate and Unmate Force
Insertion force: 3.57kgf(MAX)
Extraction force: 1.02kgf(Min), 0.81~2.05kgf(Min).
- 端子保持力: Terminal Retention
0.5kgf(MIN)



Recommended P.C.B Layout

| NO. | Name | Number | Qty | Materil | Remarks |
|-----|----------|--------|-----|---------|-------------|
| ① | Terminal | | 5 | Brass | Au Plating |
| ② | Shee | | 1 | Brass | Tin Plating |
| ③ | Base | | 1 | LCP | Black |

YUANDI® Yuandi Electronics Co, Ltd

| | | | |
|----------|------|-------|------------------|
| design | date | name | USB CONNECTOR |
| Review | date | model | MICRO-04-P□-A1T2 |
| Approved | date | | |