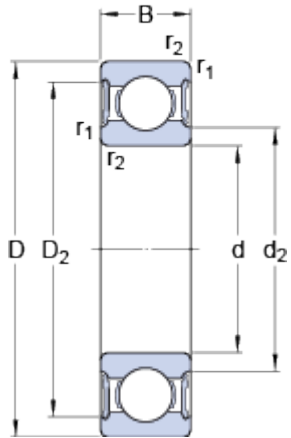


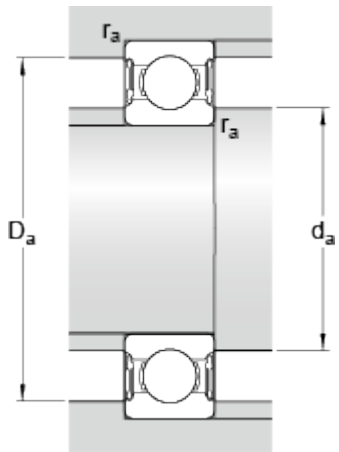
61801-2RS1

Dimensions



d	12	mm
D	21	mm
B	5	mm
d ₂	13.8	mm
D ₂	19.15	mm
r _{1,2}	min. 0.3	mm

Abutment dimensions



d _a	min. 13.6	mm
d _a	max. 13.8	mm
D _a	max. 19	mm
r _a	max. 0.3	mm

Calculation data

Basic dynamic load rating	C	1.7	kN
Basic static load rating	C ₀	0.915	kN
Fatigue load limit	P _u	0.039	kN
Limiting speed		20000	r/min
Calculation factor	k _r	0.015	
Calculation factor	f ₀	13.4	

Mass

Mass bearing	0.0063	kg
--------------	--------	----