



**EOZ**  
SOLUTIONS & COMPONENTS

**secme**

# DJET Ø10mm Pushbutton

Recommended for outdoor applications, military and avionics equipment, telecommunications, medical equipment, power supplies.

The professional toggle and pushbutton switches are available in one or two pole version. The switches can be IP 65 with fitted silicone cap or IP 67 with fitted silicone cap. Toggle and pushbuttons switches of the DJET series are available in two sizes and fit in to front panel mounting hole of 10 mm dia.

## MOUNTING

The switches are mounted by pushing them through the mounting hole in the front panel. They are fixed with a fixing nut.

### □ Switching system

Positive snap-action

## MATERIAL

### □ Material of contact

Gold contacts: Gold/gold plated brass contacts

Silver contacts: Solid silver/silver-plated contacts

## MECHANICAL CHARACTERISTICS

### □ Front panel thickness

Min. 1.2 mm

### □ Terminals

Gold contacts: Gold plated brass

Silver contacts: Silver plated brass

### □ Tightening torque

Rear nut 125 Ncm

Do not tighten by means of top nut!



## ELECTRICAL CHARACTERISTICS

### □ Operating voltage/-current

10 V, 50 mA minimum (silver contacts)

10 mV, 100 µA (gold contacts)

### □ Isolation resistance

>100 000 MΩ at 500 VDC

### □ Contact resistance

<10 mΩ

### □ Electrical life

100 000 operations

### □ Switch rating

Resistive circuit

Voltage	220 VAC	110 VAC	48 VDC	24 VDC	12 VDC
---------	---------	---------	--------	--------	--------

Current	1.5 A	2.5 A	1 A	2.25 A	4.5 A
---------	-------	-------	-----	--------	-------

### □ Inductive circuit

50 % of above values

### □ Electric strength

1000 Vrms, 50 Hz between terminals on the same pole

2000 Vrms, 50 Hz between all terminals connected

together and ground

2000 Vrms, 50 Hz between terminals of adjacent poles

## ENVIRONMENTAL CONDITIONS

### □ Storage temperature

-40 °C ... +85 °C

### □ Operating temperature

-40 °C ... +85 °C

### □ Protection degree

IP 67 (sealed 10 mm dia. version only)

IP 65 with protective cap

### □ Shock resistance

100 g, as per IEC 60512-4

### □ Resistance to vibrations

10 g, 10 ... 2000 Hz, 10 cycles, as per IEC 60512-4

### □ Damp heat

56 days (Gold contact versions only)



**EOZ**  
SOLUTIONS & COMPONENTS



# DJET Ø10mm Pushbutton

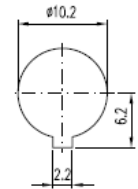
## STANDARD PART NUMBERS

	Front ring	Switching action	Contact material	Contact	Typ-Nr	Drawing dimensions
Pushbutton Ø10mm IP67 Front sealing	Metal chrome	MA / Mo	Gold (Au)	2 C	<b>18.17253.22</b>	1
			Silver (Ag)	2 C	<b>18.17283.22</b>	1
	Metal mat-black	MA / Mo	Gold (Au)	2 C	<b>18.17253.30</b>	1
			Silver (Ag)	1 C	<b>17.17252.30</b>	2
	Metal Mat-chrome	MA / Mo	Gold (Au)	1 C	<b>17.17252.22</b>	2
			Silver (Ag)	1 C	<b>17.17282.22</b>	2
Pushbutton Ø10mm	Metal chrome	MA / Mo	Gold (Au)	1 C	<b>17.17552.21</b>	5
				2 C	<b>18.17563.21</b>	4
			Silver (Ag)	1 C	<b>07.17502.21</b>	5
				2 C	<b>08.17513.21</b>	4
	Metal mat-black	MA / Mo	Gold (Au)	1 C	<b>17.17551.30</b>	3
				2 C	<b>17.17552.30</b>	5
				2 C	<b>18.17563.30</b>	4

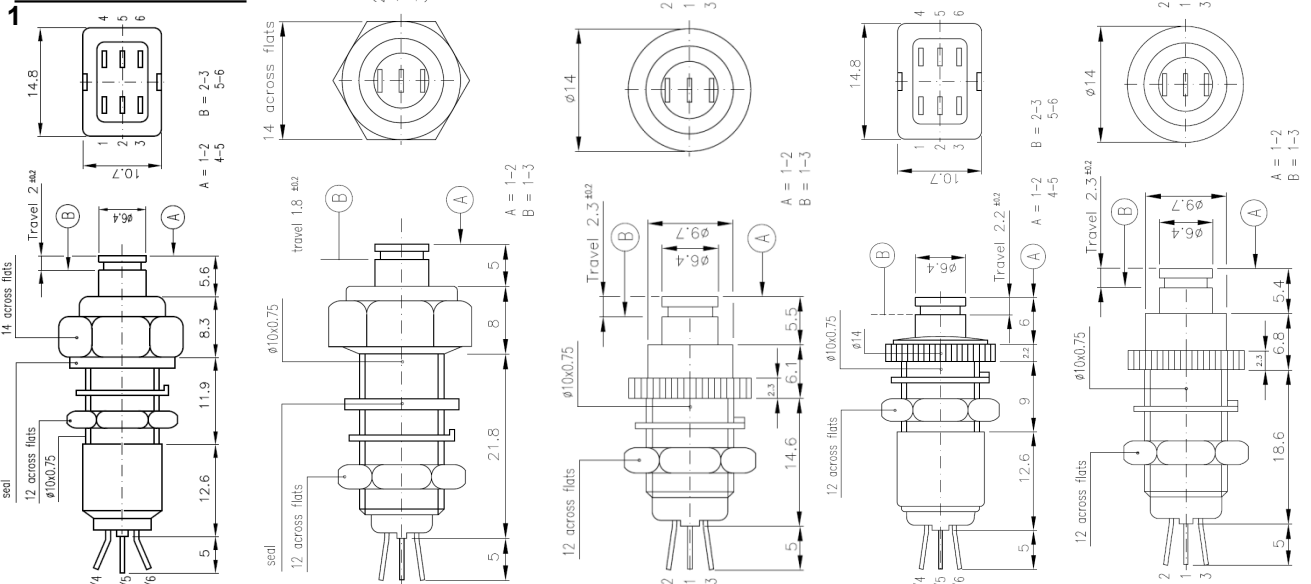
Switching action: Maintained initial position and in momentary actuation  
Soldering terminals  
C = changeover

## IMPLANTATION

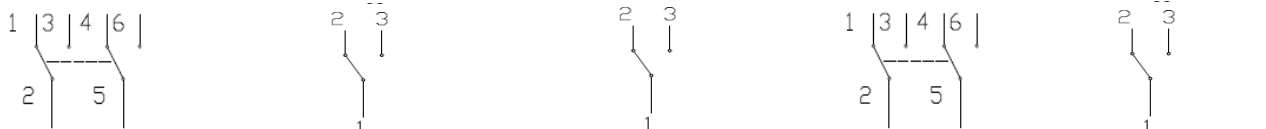
FRONT PANEL  
MOUNTING HOLE:



## DRAWING DIMENSION



## CONNECTION



Contact us at : Email : [contact@eozonline.com](mailto:contact@eozonline.com) site: [www.eozonline.com](http://www.eozonline.com)

EOZ reserves the right to make changes without prior notice