

pui
audio™ inc
a projects unlimited company

AS07108PO-R 71 x 41mm Speaker

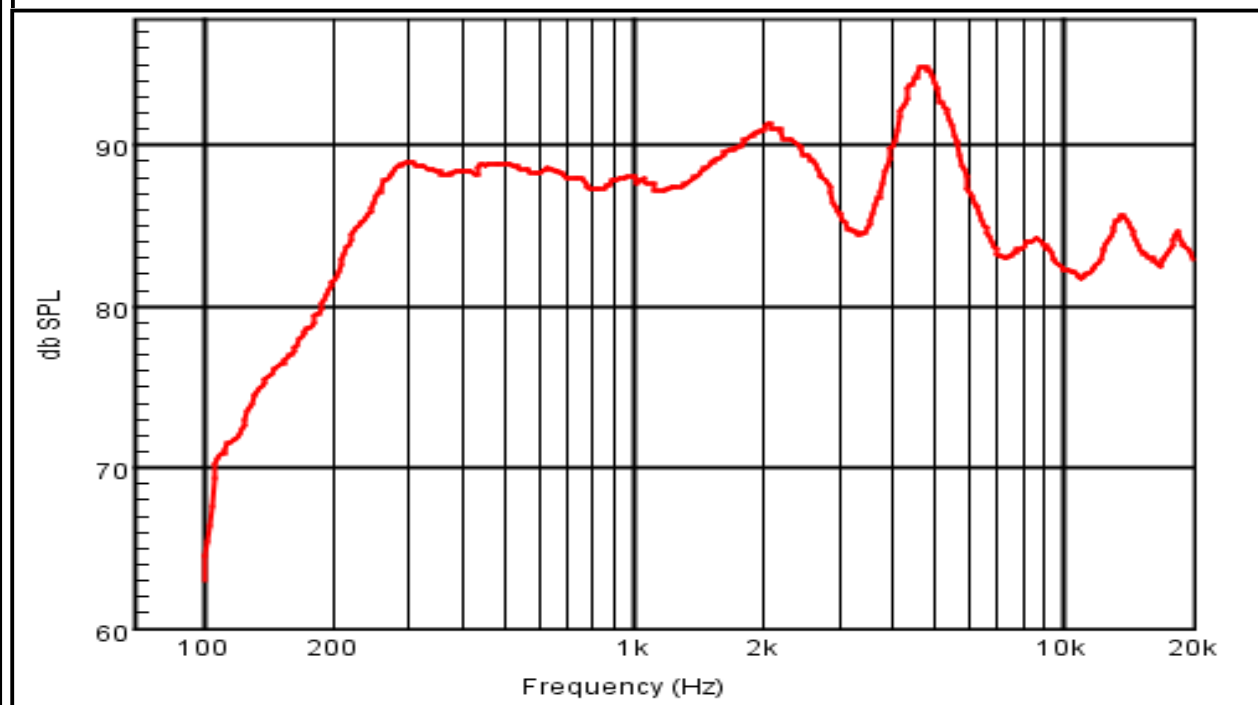
3541 Stop Eight Road • Dayton, Ohio 45414

Product Overview

- 71x 41mm oval speaker with Neodymium magnet
- 86 dB sensitivity (1W/0.5m)
- 3W continuous, 5W maximum power handling and 8Ω impedance
- Natural paper cone for music and vocal reproduction

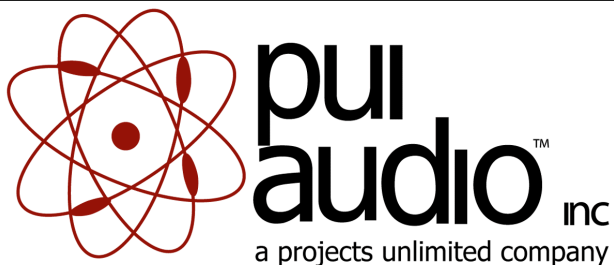


Frequency Response (1W @ 0.5 meters)



RoHS Compliant (Pb-free & Cd-free)

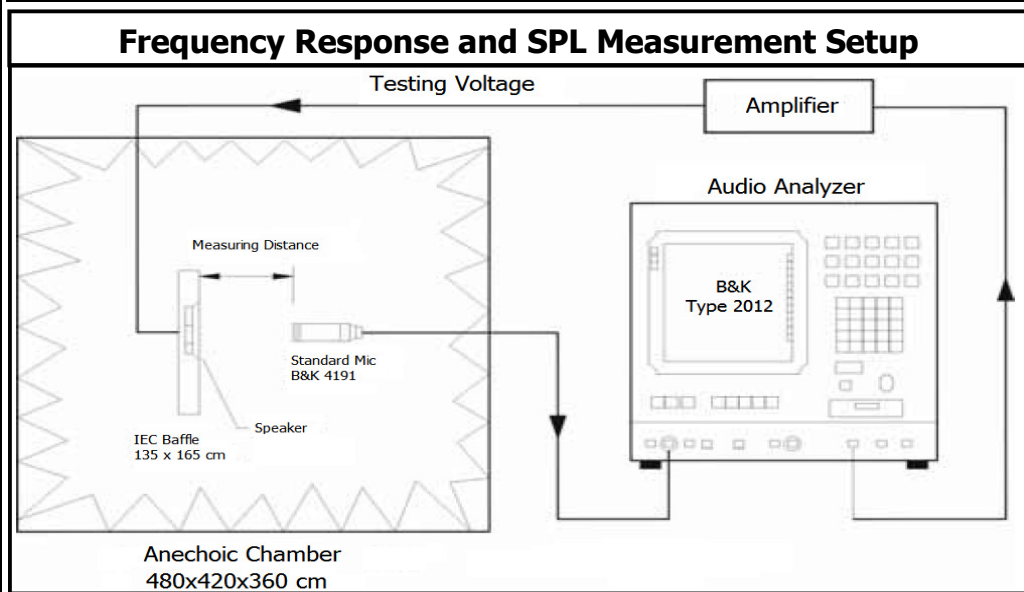
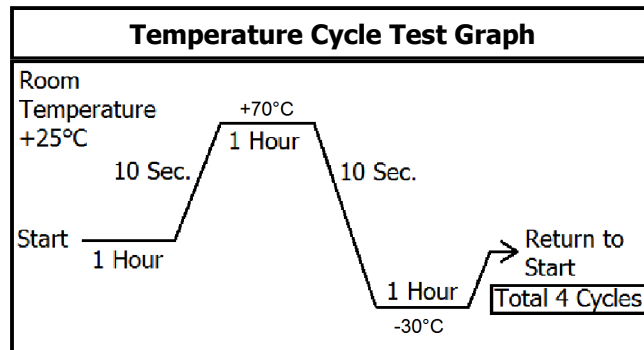




AS07108PO-R 71 x 41mm Speaker

Mechanical and Environment Testing	
Test Description	Test Condition
High Temperature	70°C ±2°C with random humidity for 96 hours
Low Temperature	-30°C ±2°C with random humidity for 96 hours
Humidity	40°C with 90% to 95% relative humidity for 96 hours
Vibration	5G constant movement modulated at 10 to 55 Hz for 2 hours each of 3 axis
Drop Test	100 cm free fall onto 20mm thick board, 6 cycles
Temperature Cycle Test	-30°C to 70°C, 4 cycles (refer to Temperature Cycle Test Graph)

After tests, speaker shall rest for 1 hours. SPL shall not deviate ±4 dB from pre-test measurement.



Thiele-Small Parameters

Specification	Value
Fo (Hz)	250
Qes	4.77
Qms	1.62
Qts	1.21
Vas (mm³)	111k
Sd (mm²)	1650
Mms (g)	1.03
Re (ohm)	7.4
BL (T)	1.60

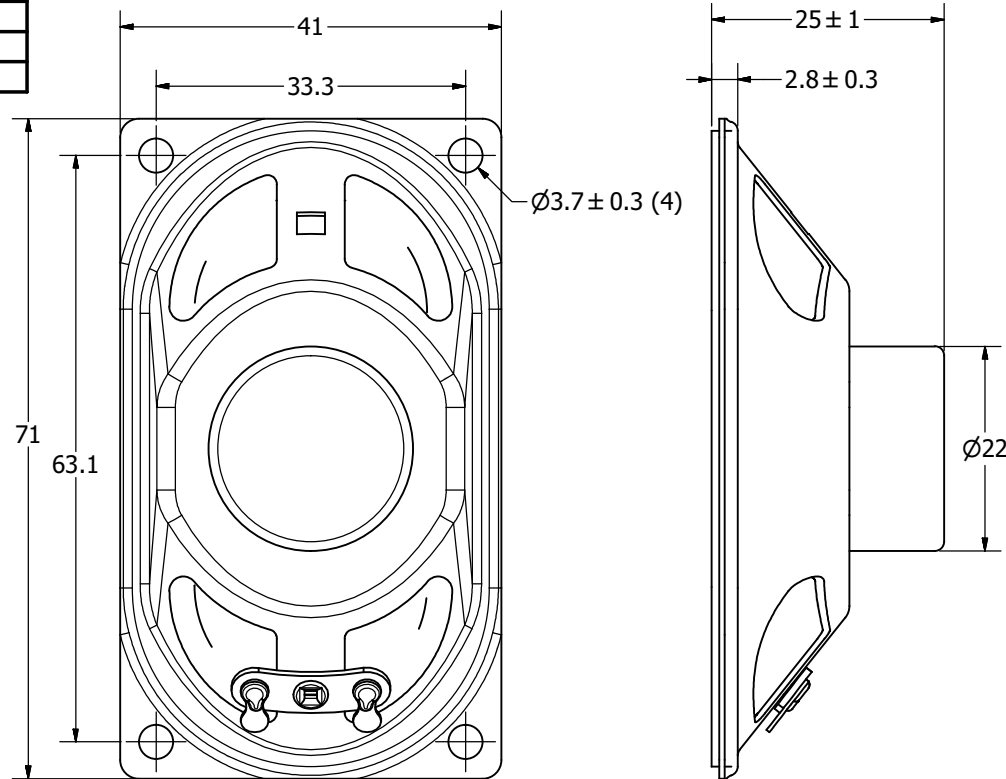
SPECIFICATIONS

PARAMETERS	VALUES	UNITS
RATED INPUT POWER	3	W
MAX INPUT POWER	5	W
IMPEDANCE	8 ± 15%	OHM
OUTPUT SPL @ 1W/0.5M (AT 0.8, 1.0, 1.2, 1.5 kHz)	86 ± 3	dBA
DISTORTION (MAX.)	5%	-
RESONANT FREQUENCY	250 ± 70	Hz
FREQUENCY RANGE	100 ~ 20,000	Hz
HOUSING MATERIAL	METAL	-
CONE MATERIAL	PAPER	-
MAGNET MATERIAL	Nd-Fe-B	-
OPERATING TEMPERATURE	-20 ~ +60	°C
WEIGHT	38	grams

THIS DOCUMENT CONTAINS DATA PROPRIETARY TO PROJECTS UNLIMITED, INC. ANY USE OR REPRODUCTION, IN ANY FORM, WITHOUT PRIOR WRITTEN PERMISSION OF PROJECTS UNLIMITED, INC. IS PROHIBITED.
©2003, Projects Unlimited Inc.

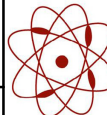
REVISION HISTORY

LTR	DESCRIPTION	DATE	APPROVED
-	RELEASED FROM ENGINEERING	5/15/2006	
A	REVISED TO INVENTOR 3-D DRAWING TEMPLATE	10/9/2008	B.R.
B	REVISED RESONANT FREQUENCY	4/27/2012	B.R.



NOTES:

1. ALL DIMENSIONS ARE IN MILLIMETERS.
2. SPECIFICATIONS SUBJECT TO CHANGE OR WITHDRAWAL WITHOUT NOTICE.
3. THIS PART IS RoHS 2011/65/EU COMPLIANT.

UNLESS OTHERWISE SPECIFIED: DIMENSIONS ARE IN MILLIMETERS, TOLERANCES ARE ±0.5 AND ANGLES ARE ±3°.	SIZE	Designed by	Date	Checked by	Date	Approved by	Date	Drawn Date	
	A3	J.D.	5/15/2006	E.P.	5/15/2006	B.R.	5/15/2006	10/9/2008	
AS07108PO-R.idw		 pui audio a projects unlimited company				AS07108PO-R Speaker		Edition -	Sheet 1 / 1