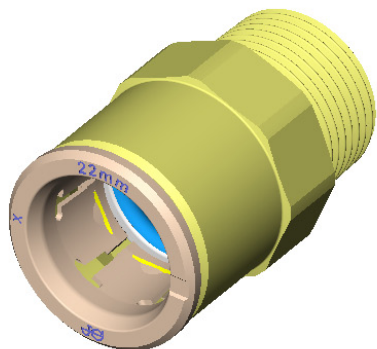


Product Data Sheet

22mm x 3/4 BSPT Straight Adaptor



John Guest



| Applications | |
|---------------------------|---|
| Domestic Hot & Cold Water | ✓ |
| Central Heating | ✓ |

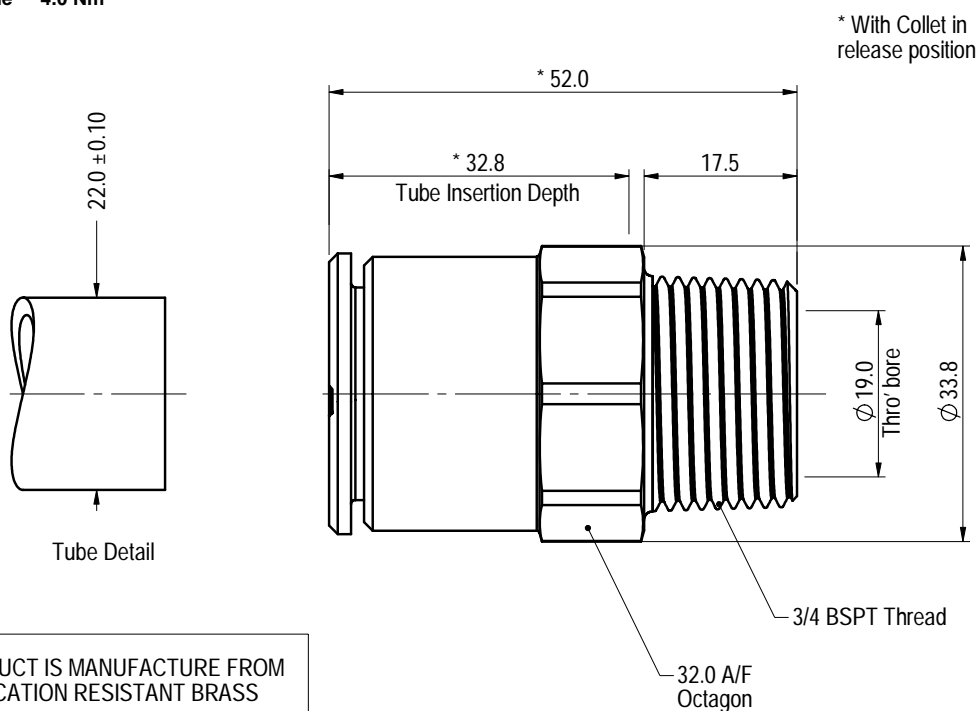
The John Guest 22mm x 3/4 BSP Straight Adaptor has been developed to satisfy the requirements of the U.K. plumbing market.

Working Pressures and temperatures.

Max. 12.0 Bar at 20°C 6.0 Bar at 65°C 3.0 Bar at 92° C

Minimum Service Temperature 1° C

Maximum Torque 4.0 Nm



THIS PRODUCT IS MANUFACTURE FROM DE-ZINCIFICATION RESISTANT BRASS

| Part Description | Material |
|------------------|---|
| Body | Brass, De-zincification resistant |
| Collet | Acetal Co-polymer (unfilled), White / Stainless steel |
| 'O' Ring | Ethylene Propylene (EPDM), Black |

All Dimensions in mm

THE COPYRIGHT IN THIS DRAWING AND THE PRODUCTS REFERRED THEREON BELONG TO JOHN GUEST INTERNATIONAL LIMITED AND THIS DRAWING NOR THE INFORMATION CONTAINED HEREIN SHALL BE PRODUCED IN ANY FORM OR USED FOR ANY PURPOSE WITHOUT WRITTEN CONSENT © 2008

The company has a policy of continuous research and development and reserves the right to amend without notice the specification and design of all products illustrated. For details of terms and conditions and any other technical enquiries, please contact our Customer Services Department.

ISSUE 3 GA 13-03-08

DS-MW012206N