



**FEATURES:**

- RoHS compliant
- Regulated output voltage
- Low ripple and noise
- High efficiency up to 74%
- Operating temperature -40°C to + 85°C
- Input / Output Isolation 1000,1500 & 3000VDC
- Pin computable with multiple manufacturers
- UL94-VO Package



**Models**  
**Single output**

Model	Input Voltage (V)	Output Voltage (V)	Output Current max (mA)	Input Current Max   No Load (mA)	Isolation (VDC)	Efficiency (%)
AM1DR-0503S-NZ	4.75-5.25	3.3	303	333   30	1000	60
AM1DR-0505S-NZ	4.75-5.25	5	200	299   30	1000	67
AM1DR-0509S-NZ	4.75-5.25	9	111	286   30	1000	70
AM1DR-0512S-NZ	4.75-5.25	12	83	282   30	1000	71
AM1DR-0515S-NZ	4.75-5.25	15	67	274   30	1000	72
AM1DR-0505SJZ	4.75-5.25	5	200	299   30	1500	67
AM1DR-0524S-NZ	4.75-5.25	24	42	294   30	1000	68
AM1DR-1205S-NZ	11.4-12.6	5	200	124   15	1000	67
AM1DR-1209S-NZ	11.4-12.6	9	111	116   15	1000	72
AM1DR-1212S-NZ	11.4-12.6	12	83	119   15	1000	70
AM1DR-1215S-NZ	11.4-12.6	15	67	113   15	1000	74
AM1DR-1224S-NZ	11.4-12.6	24	42	123   15	1000	68
AM1DR-1505S-NZ	14.25-15.75	5	200	100   15	1000	67
AM1DR-1515S-NZ	14.25-15.75	15	67	93   15	1000	72
AM1DR-2405S-NZ	22.8-25.2	5	200	61   8	1000	68
AM1DR-2409S-NZ	22.8-25.2	9	111	61   8	1000	68
AM1DR-2412S-NZ	22.8-25.2	12	83	57   8	1000	73
AM1DR-2415S-NZ	22.8-25.2	15	67	56   8	1000	75
AM1DR-2424S-NZ	22.8-25.2	24	42	61   8	1000	68
AM1DR-0505SH30-NZ	4.75-5.25	5	200	303   30	3000	66
AM1DR-0512SH30-NZ	4.75-5.25	12	83	278   30	3000	72
AM1DR-0524SH30-NZ	4.75-5.25	24	41	274   30	3000	73
AM1DR-1205SH30-NZ	11.4-12.6	5	200	124   15	3000	67
AM1DR-1212SH30-NZ	11.4-12.6	12	83	114   15	3000	73
AM1DR-1215SH30-NZ	11.4-12.6	15	67	113   15	3000	74
AM1DR-2405SH30-NZ	22.8-25.2	5	200	62   8	3000	67
AM1DR-2412SH30-NZ	22.8-25.2	12	83	57   8	3000	73
AM1DR-2415SH30-NZ	22.8-25.2	15	67	56   8	3000	74

**Input Specifications**

Parameters	Nominal	Typical	Maximum	Units
Voltage range	5	4.75-5.25		VDC
	12	11.4-12.6		
	15	14.25-15.75		
	24	22.8-25.2		
Filter	Capacitor			
Input no load current for AM1DR-0505SJZ		5	10	mA

**Isolation Specifications**

Parameters	Conditions	Typical	Rated	Units
Tested I/O voltage	60 sec, <1mA		1000,1500 & 3000	VDC
Resistance		>1000		MOhm

Capacitance	100KHz/0.1V	60	pF
Capacitance (for 1500 Vdc models)	100KHz/0.1V	20	pF

## Output Specifications

Parameters	Conditions	Typical	Maximum	Units
Voltage accuracy		±3		%
Short Circuit protection	9, 12, 15 Vout, and AM1DR-0505SJZ	Continuous		
	5, 24 Vout	Momentary (1sec)		
Line voltage regulation	Input voltage: ±5%	±0.25		%
Load voltage regulation	10-100%	±1	±2	%
Temperature coefficient		±0.03		%/°C
Ripple & Noise		50	75	mVp-p

## General Specifications

Parameters	Conditions	Typical	Maximum	Units
Switching frequency	100% load	120	300	KHz
	100% load, AM1DR-0505SJZ model	270		KHz
Operating temperature	Derating above 71°C	-40 to +85		°C
Storage temperature		-55 to +125		°C
Cooling	Free air convection			
Humidity			95	%
Case material	Plastic UL94-VO			
Weight		2.1		g
Dimensions (L x W x H)	0.77 x 0.24 x 0.38 inch 19.60 x 6.00 x 9.66 mm			
MTBF	>3,500,000 hrs (MIL-HDBK -217F, Ground Benign, t=+25°C)			

NOTE: All specifications are measured at an ambient temperature of 25°C, humidity<75%, nominal input voltage and at rated output load unless otherwise specified.

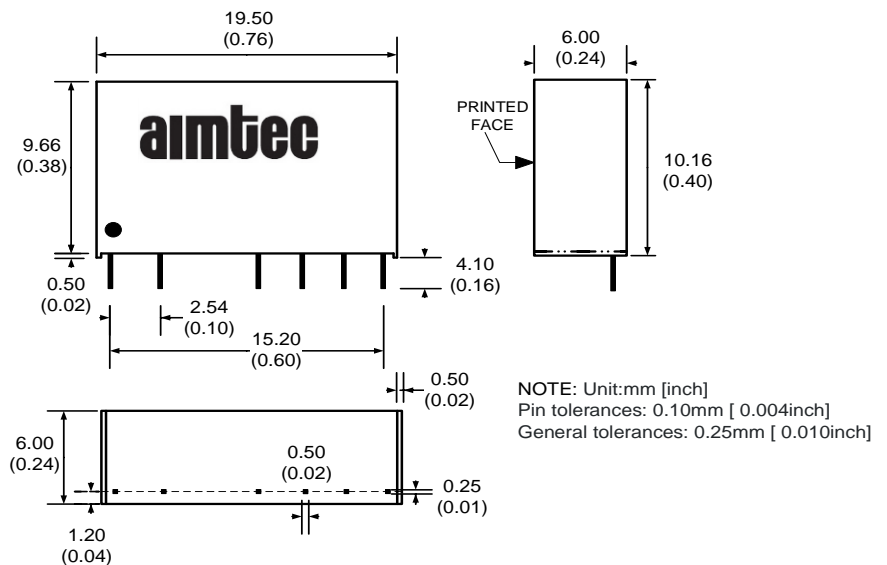
## Safety Specifications

Parameters		
Agency approvals	cULus	
Standards	UL62368 (AM1DR-0505SJZ only)	
	EMI - Conducted and radiated emission	CISPR32/EN55032, class B (with the recommended EMC circuit)
	Electrostatic Discharge Immunity	IEC 61000-4-2, Contact ±4kV, Air ±8kV, Criteria B

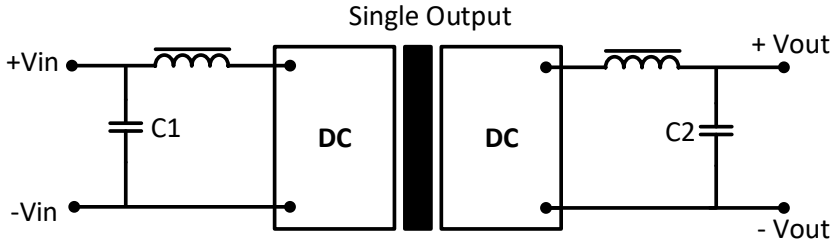
## Pin Out Specification

Pin	Single 1000, 1500 & 3000VDC
1	+ V Input
2	- V Input
4	- V Output
5	No pin
6	+ V Output
7	No pin

## Dimensions



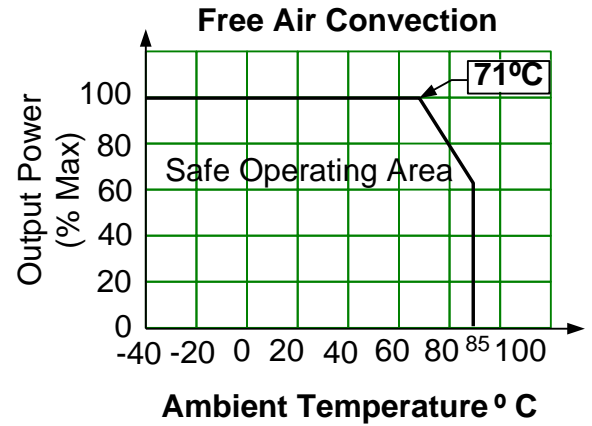
### Ripple noise reduction circuit



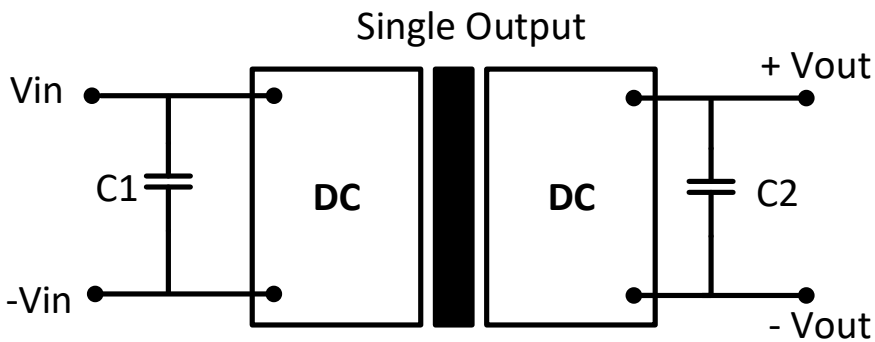
### External capacitor

Vin (VDC)	C1 (uF)	Vout (VDC)	C2 (uF)
5	4.7	3.3/5	10
12/15	2.2	9	4.7
24	1	12	2.2
-	-	15	1
-	-	24	0.47

### Derating



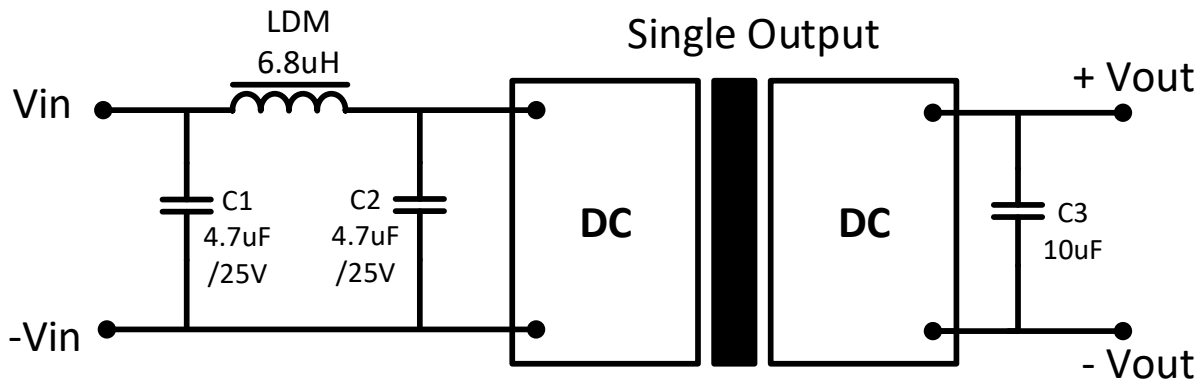
### Application circuit for AM1DR-0505SJZ:



### External capacitor

Vin (VDC)	C1 (uF)	Vout (VDC)	C2 (uF)
5	4.7	5	10
-	-	9/12	2.2
-	-	15	1

EMC recommended circuit for AM1DR-0505SJZ:



**NOTE:** 1. Datasheets are updated as needed and as such, specifications are subject to change without notice. Once printed or downloaded, datasheets are no longer controlled by Aimtec; refer to [www.aimtec.com](http://www.aimtec.com) for the most current product specifications. 2. Product labels shown, including safety agency certifications on labels, may vary based on the date manufactured. 3. Mechanical drawings and specifications are for reference only. 4. All specifications are measured at an ambient temperature of 25°C, humidity < 75%, nominal input voltage and at rated output load unless otherwise specified. 5. Aimtec may not have conducted destructive testing or chemical analysis on all internal components and chemicals at the time of publishing this document. CAS numbers and other limited information are considered proprietary and may not be available for release. 6. This product is not designed for use in critical life support systems, equipment used in hazardous environments, nuclear control systems or other such applications which necessitate specific safety and regulatory standards other than the ones listed in this datasheet. 7. Warranty is in accordance with Aimtec's standard Terms of Sale available at [www.aimtec.com](http://www.aimtec.com).