

WANJIA

Relays for advanced technology

MAGNETIC LATCHING RELAY

WJ302-RELAYS



- Small size and light weight
- High contact load.
- Low coil power consumption.
- Strong anti-shock high reliability.
- Long life.

SPECIFICATIONS

Contact

Characteristics

Arrangement	1A; 1B	Operate Time	Max.25msec.
Contact Material	Silver alloy	Release Time	Max.25msec.
Contact Resistance (By voltage 6V 1A)	Max.2mΩ	Operating humidity	40to 90% RH
Rating Resistive load	100A /80A/40A 250VAC	Initial breakdown voltage Between coil & contact Between open contacts	1500VAC (50/60Hz)for 1 min. 2500VAC (50/60Hz)for 1 min.
Max. Switching Voltage	240VAC	Insulation Resistance	Min. 1000MΩ (500 VDC)
Max. Switching Power	22000VA	Ambient temperature	-30;æ;«+55;æ
Expected life(min.ope) Mechanical(at 180 cpm) Electrical (at 20 cpm)	7.5;Á10 ⁴ 10 ³ / 10 ⁴ / 3;Á10 ⁴	Shock Resistance	Functional Destruction Min.10G Min. 100G
		Vibration Resistance	Functional Destruction 10 to 55 Hz at double Amplitude of 1.5mm 10 to 55 Hz at double Amplitude of 1.5mm
		Unit weight	Û165g

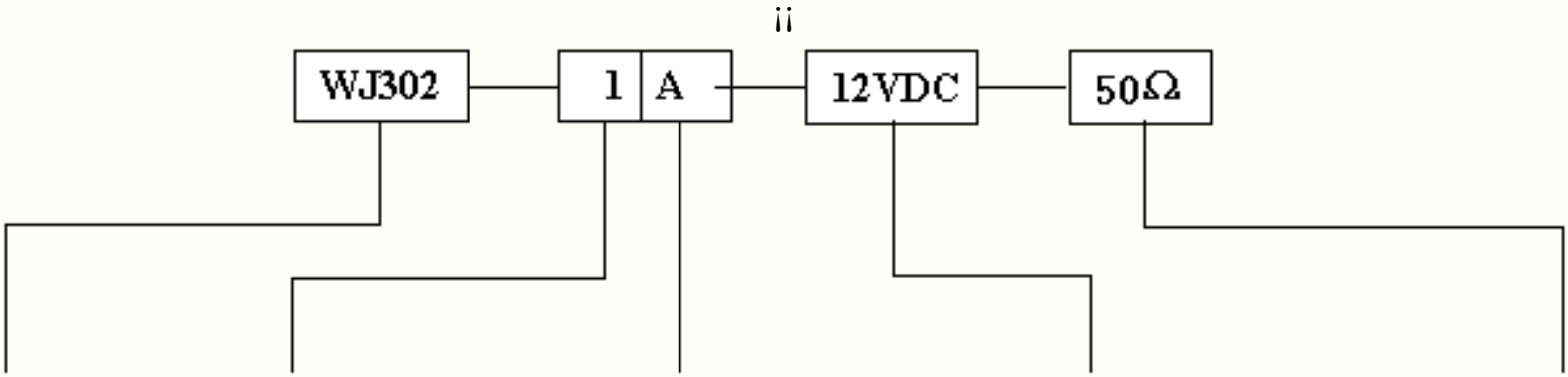
Coil

Nominal operating power	3W
-------------------------	----

TYPICAL APPLICATION

- 1.Industrial machine
- 2.Electrical equipment
- 3.Air conditioner and houseold applllications

ORDERING INFORMATION



Type	Number of pole	Contact form	Coilvoltage (DC)	Coil resistance
WJ302	1:1pole	A: 1 form A B: 1 form B	5, 6, 9, 12, 24V	8.7, 12.5, 28, 50, 200 : 3W