

ADS869x 18-Bit, High-Speed, Single-Supply, SAR ADC Data Acquisition System With Programmable, Bipolar Input Ranges

1 Features

- 18-Bit ADC With Integrated Analog Front-End
- High Speed:
 - ADS8691: 1 MSPS
 - ADS8695: 500 kSPS
 - ADS8699: 100 kSPS
- Software Programmable Input Ranges:
 - Bipolar Ranges: ± 12.288 V, ± 10.24 V, ± 6.144 V, ± 5.12 V, and ± 2.56 V
 - Unipolar Ranges: 0 V– 12.288 V, 0 V– 10.24 V, 0 V– 6.144 V, and 0 V– 5.12 V
- 5-V Analog Supply: 1.65-V to 5-V I/O Supply
- Constant Resistive Input Impedance ≥ 1 M Ω
- Input Overvoltage Protection: Up to ± 20 V
- On-Chip, 4.096-V Reference With Low Drift
- Excellent Performance:
 - DNL: ± 0.6 LSB; INL: ± 1.75 LSB
 - SNR: 92.5 dB; THD: -110 dB
- ALARM \rightarrow High, Low Threshold
- multiSPI™ Interface With Daisy-Chain
- Extended Industrial Temperature Range: -40°C to $+125^{\circ}\text{C}$

2 Applications

- Channel-Isolated PLC Analog Input Modules
- Test and Measurement
- Battery Pack Monitoring

3 Description

The ADS8691, ADS8695, and ADS8699 belong to a family of integrated data acquisition system based on a successive approximation (SAR) analog-to-digital converter (ADC). The devices feature a high-speed, high-precision SAR ADC, integrated analog front-end (AFE) input driver circuit, overvoltage protection circuit up to ± 20 V, and an on-chip 4.096-V reference with extremely low temperature drift.

The devices operate on a single 5-V analog supply, but support true bipolar input ranges of ± 12.288 V, ± 6.144 V, ± 10.24 V, ± 5.12 V, and ± 2.56 V, as well as unipolar input ranges of 0 V to 12.288 V, 0 V to 10.24 V, 0 V to 6.144 V, and 0 V to 5.12 V. The gain and offset errors are accurately trimmed within the specified values for each input range to ensure high dc precision. The input range selection is done by software programming of the device internal registers. The devices offer a high resistive input impedance (≥ 1 M Ω) irrespective of the selected input range.

The multiSPI digital interface is backward-compatible to the traditional SPI protocol. Additionally, configurable features simplify interface to a wide range of host controllers.

Device Information⁽¹⁾

PART NUMBER	PACKAGE	BODY SIZE (NOM)
ADS869x	TSSOP (16)	5.00 mm x 4.40 mm

(1) For all available packages, see the orderable addendum at the end of the data sheet.

Block Diagram

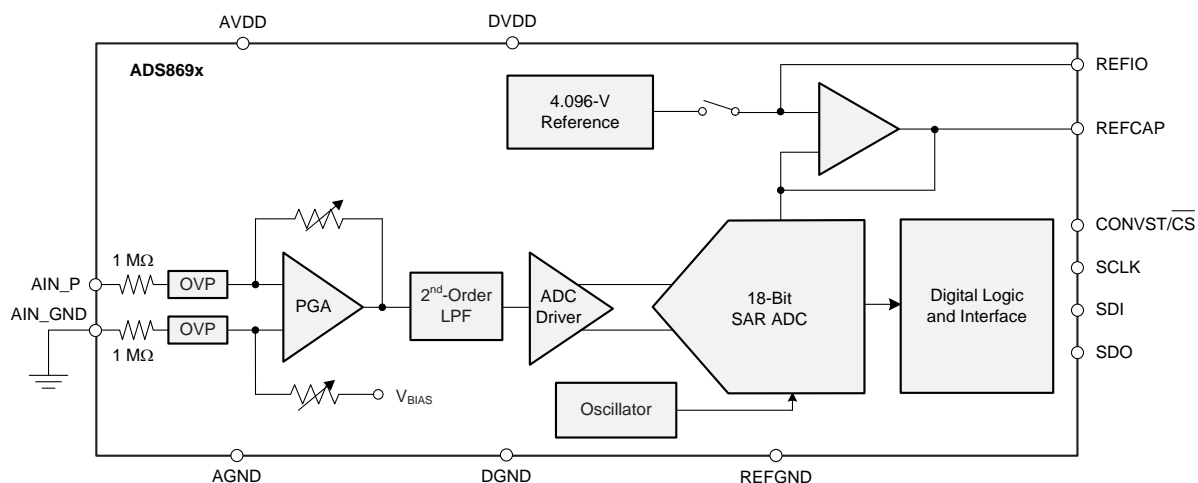


Table of Contents

1 Features	1	7.3 Feature Description.....	22
2 Applications	1	7.4 Device Functional Modes.....	34
3 Description	1	7.5 Programming.....	39
4 Revision History	2	7.6 Register Maps	47
5 Pin Configuration and Functions	3	8 Application and Implementation	55
6 Specifications	4	8.1 Application Information.....	55
6.1 Absolute Maximum Ratings	4	8.2 Typical Application	55
6.2 ESD Ratings.....	4	9 Power Supply Recommendations	59
6.3 Recommended Operating Conditions.....	4	9.1 Power Supply Decoupling.....	59
6.4 Thermal Information	4	9.2 Power Saving.....	59
6.5 Electrical Characteristics.....	5	10 Layout	60
6.6 Timing Requirements: Conversion Cycle.....	9	10.1 Layout Guidelines	60
6.7 Timing Requirements: Asynchronous Reset.....	9	10.2 Layout Example	61
6.8 Timing Requirements: SPI-Compatible Serial Interface	9	11 Device and Documentation Support	62
6.9 Timing Requirements: Source-Synchronous Serial Interface (External Clock)	10	11.1 Documentation Support	62
6.10 Timing Requirements: Source-Synchronous Serial Interface (Internal Clock).....	10	11.2 Related Links	62
6.11 Typical Characteristics	14	11.3 Receiving Notification of Documentation Updates	62
7 Detailed Description	21	11.4 Community Resources.....	62
7.1 Overview	21	11.5 Trademarks	62
7.2 Functional Block Diagram	21	11.6 Electrostatic Discharge Caution.....	62
		11.7 Glossary	63
		12 Mechanical, Packaging, and Orderable Information	63

4 Revision History

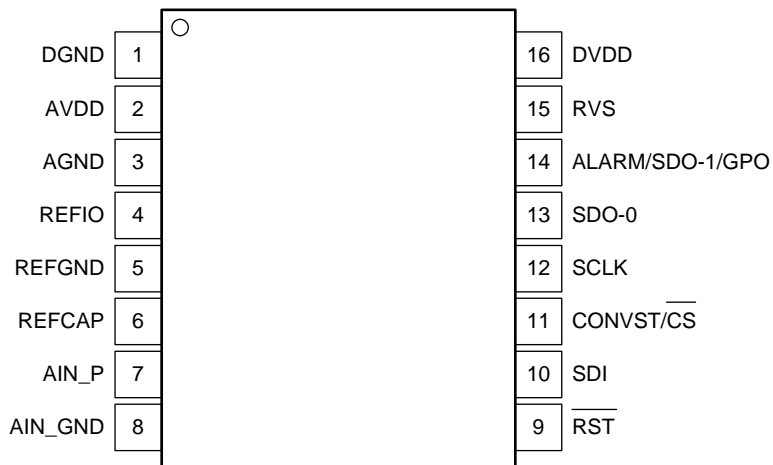
Changes from Original (December 2016) to Revision A

Page

• Deleted <i>per channel</i> from <i>ALARM</i> → <i>High, Low Threshold</i> bullet in <i>Features</i> section.....	1
• Deleted WQFN package option from document.....	1
• Deleted RUM (WQFN) information from <i>Pin Configuration and Functions</i> section.....	3
• Deleted <i>offers a low impedance of 30 kΩ</i> from footnotes 2 and 3 in <i>Absolute Maximum Ratings</i> table	4
• Deleted RUM (WQFN) column from <i>Thermal Information</i> table.....	4
• Changed test conditions of Input Overvoltage Protection Circuit, $V_{OV\ P}$ parameter	5
• Deleted WQFN row from V_{REFIO} and dV_{REFIO}/dT_A parameters	7
• Deleted multichannel reference from <i>Overview</i> section	21
• Changed <i>the input voltage range for each analog channel</i> to <i>the input voltage range</i> in <i>Analog Input Structure</i> section ..	22
• Changed <i>Input Overvoltage Protection Limits When AVDD = 5 V</i> table name from <i>Input Overvoltage Protection Limits When AVDD = 5 V or Offers a Low Impedance of 30 kΩ</i>	23
• Changed <i>AVDD is floating with an impedance 30 kΩ</i> to <i>AVDD is floating</i> in <i>Input Protection Circuit</i> section.....	24
• Changed <i>Input Overvoltage Protection Limits When AVDD = Floating</i> table title from <i>Input Overvoltage Protection Limits When AVDD = Floating with Impedance 30 kΩ</i>	24
• Deleted RUM (WQFN) package information from <i>External Reference</i> section	30
• Added footnotes to <i>List of Input Commands</i> table	41

5 Pin Configuration and Functions

**PW Package
16-Pin TSSOP
Top View (Not to Scale)**



Pin Functions

NAME	NO.	TYPE ⁽¹⁾	DESCRIPTION
	TSSOP		
AGND	3	P	Analog ground pin. Decouple with the AVDD pin.
AIN_GND	8	AI	Analog input: negative. Decouple with the AIN_P pin.
AIN_P	7	AI	Analog input: positive. Decouple with the AIN_GND pin.
ALARM/SDO-1/GPO	14	DO	Multi-function output pin. Active high alarm. Data output 1 for serial communication. General-purpose output pin.
AVDD	2	P	Analog supply pin. Decouple with the AGND pin.
CONVST/ $\overline{\text{CS}}$	11	DI	Dual-functionality pin. Active high logic: conversion start input pin; a CONVST rising edge brings the device from acquisition phase to conversion phase. Active low logic: chip-select input pin; the device takes control of the data bus when $\overline{\text{CS}}$ is low; the SDO-x pins go to tri-state when $\overline{\text{CS}}$ is high.
DGND	1	P	Digital ground pin. Decouple with the DVDD pin.
DVDD	16	P	Digital supply pin. Decouple with the DGND pin.
REFCAP	6	AO	ADC reference buffer decoupling capacitor pin. Decouple with the REFGND pin.
REFGND	5	P	Reference ground pin; short to the analog ground plane. Decouple with the REFIO and REFCAP pins.
REFIO	4	AIO	Internal reference output and external reference input pin. Decouple with REFGND.
$\overline{\text{RST}}$	9	DI	Active low logic input to reset the device.
RVS	15	DO	Multi-function output pin for serial interface; see the RESET State section. With $\overline{\text{CS}}$ held high, RVS reflects the status of the internal ADCST signal. With $\overline{\text{CS}}$ low, the status of RVS depends on the output protocol selection.
SCLK	12	DI	Serial communication: clock input pin for the serial interface. All system-synchronous data transfer protocols are timed with respect to the SCLK signal.
SDI	10	DI	Dual function: data input pin for serial communication. Chain data input during serial communication in daisy-chain mode.
SDO-0	13	DO	Serial communication: data output 0

(1) AI = analog input, AIO = analog input/output, DI = digital input, DO = digital output, and P = power supply.

6 Specifications

6.1 Absolute Maximum Ratings

 over operating free-air temperature range (unless otherwise noted)⁽¹⁾

		MIN	MAX	UNIT
AIN_P, AIN_GND to GND	AVDD = 5 V ⁽²⁾	-20	20	V
	AVDD = floating ⁽³⁾	-11	11	
AVDD to GND or DVDD to GND		-0.3	7	V
REFCAP to REFGND or REFIO to REFGND		-0.3	5.7	V
GND to REFGND		-0.3	0.3	V
Digital input pins to GND		-0.3	DVDD + 0.3	V
Digital output pins to GND		-0.3	DVDD + 0.3	V
Temperature	Operating, T _A	-40	125	°C
	Storage, T _{stg}	-65	150	

(1) Stresses beyond those listed under *Absolute Maximum Ratings* may cause permanent damage to the device. These are stress ratings only, and do not imply functional operation of the device at these or any other conditions beyond those indicated under *Recommended Operating Conditions*. Exposure to absolute-maximum-rated conditions for extended periods may affect device reliability.

(2) AVDD = 5 V.

(3) AVDD = floating.

6.2 ESD Ratings

			VALUE	UNIT
V _(ESD)	Electrostatic discharge	Human body model (HBM), per ANSI/ESDA/JEDEC JS-001 ⁽¹⁾	±4000	V
		All other pins	±2000	
		Charged device model (CDM), per JEDEC specification JESD22-C101 ⁽²⁾	±500	

(1) JEDEC document JEP155 states that 500-V HBM allows safe manufacturing with a standard ESD control process.

(2) JEDEC document JEP157 states that 250-V CDM allows safe manufacturing with a standard ESD control process.

6.3 Recommended Operating Conditions

over operating free-air temperature range (unless otherwise noted)

		MIN	NOM	MAX	UNIT
AVDD	Analog supply voltage	4.75	5	5.25	V
DVDD	Digital supply voltage	1.65	3.3	AVDD	V

6.4 Thermal Information

THERMAL METRIC ⁽¹⁾		ADS8691, ADS8695, ADS8699	UNIT
		PW (TSSOP)	
		16 PINS	
R _{θJA}	Junction-to-ambient thermal resistance	95.7	°C/W
R _{θJC(top)}	Junction-to-case (top) thermal resistance	29.3	°C/W
R _{θJB}	Junction-to-board thermal resistance	41.5	°C/W
ψ _{JT}	Junction-to-top characterization parameter	1.5	°C/W
ψ _{JB}	Junction-to-board characterization parameter	40.8	°C/W
R _{θJC(bot)}	Junction-to-case (bottom) thermal resistance	N/A	°C/W

(1) For more information about traditional and new thermal metrics, see the [Semiconductor and IC Package Thermal Metrics application report](#).

6.5 Electrical Characteristics

all minimum and maximum specifications are at $T_A = -40^\circ\text{C}$ to $+125^\circ\text{C}$; typical specifications are at $T_A = 25^\circ\text{C}$; $AVDD = 5\text{ V}$, $DVDD = 3.3\text{ V}$, $V_{REF} = 4.096\text{ V}$ (internal), and maximum throughput (unless otherwise noted)

PARAMETER		TEST CONDITIONS		MIN	TYP	MAX	UNIT
ANALOG INPUTS							
V_{IN}	Full-scale input span ⁽¹⁾ (AIN_P to AIN_GND)	Input range = $\pm 3 \times V_{REF}$		-12.288		12.288	V
		Input range = $\pm 2.5 \times V_{REF}$		-10.24		10.24	
		Input range = $\pm 1.5 \times V_{REF}$		-6.144		6.144	
		Input range = $\pm 1.25 \times V_{REF}$		-5.12		5.12	
		Input range = $\pm 0.625 \times V_{REF}$		-2.56		2.56	
		Input range = $3 \times V_{REF}$		0		12.288	
		Input range = $2.5 \times V_{REF}$		0		10.24	
		Input range = $1.5 \times V_{REF}$		0		6.144	
Input range = $1.25 \times V_{REF}$		0		5.12			
AIN_P	Operating input range	Input range = $\pm 3 \times V_{REF}$		-12.288		12.288	V
		Input range = $\pm 2.5 \times V_{REF}$		-10.24		10.24	
		Input range = $\pm 1.5 \times V_{REF}$		-6.144		6.144	
		Input range = $\pm 1.25 \times V_{REF}$		-5.12		5.12	
		Input range = $\pm 0.625 \times V_{REF}$		-2.56		2.56	
		Input range = $3 \times V_{REF}$		0		12.288	
		Input range = $2.5 \times V_{REF}$		0		10.24	
		Input range = $1.5 \times V_{REF}$		0		6.144	
Input range = $1.25 \times V_{REF}$		0		5.12			
AIN_GND	Operating input range	All input ranges		-0.1	0	0.1	V
R_{IN}	Input impedance	At $T_A = 25^\circ\text{C}$	Input range = $\pm 3 \times V_{REF}$	1.02	1.2	1.38	M Ω
			Input range = $\pm 1.5 \times V_{REF}$	1.02	1.2	1.38	
			Input range = $3 \times V_{REF}$	1.02	1.2	1.38	
			Input range = $1.5 \times V_{REF}$	1.02	1.2	1.38	
			Input range = $\pm 2.5 \times V_{REF}$	0.85	1	1.15	
			Input range = $\pm 1.25 \times V_{REF}$	0.85	1	1.15	
			Input range = $\pm 0.625 \times V_{REF}$	0.85	1	1.15	
			Input range = $2.5 \times V_{REF}$	0.85	1	1.15	
Input impedance drift					7	25	ppm/ $^\circ\text{C}$
I_{IN}	Input current	With voltage at the AIN_P pin = V_{IN}	Input range = $\pm 3 \times V_{REF}$	$(V_{IN} - 2.5) / R_{IN}$			μA
			Input range = $\pm 2.5 \times V_{REF}$	$(V_{IN} - 2.2) / R_{IN}$			
			Input range = $\pm 1.5 \times V_{REF}$	$(V_{IN} - 2.0) / R_{IN}$			
			Input range = $\pm 1.25 \times V_{REF}$	$(V_{IN} - 2.0) / R_{IN}$			
			Input range = $\pm 0.625 \times V_{REF}$	$(V_{IN} - 1.6) / R_{IN}$			
			Input range = $3 \times V_{REF}$	$(V_{IN} - 2.6) / R_{IN}$			
			Input range = $2.5 \times V_{REF}$	$(V_{IN} - 2.5) / R_{IN}$			
			Input range = $1.5 \times V_{REF}$	$(V_{IN} - 2.7) / R_{IN}$			
Input range = $1.25 \times V_{REF}$		$(V_{IN} - 2.5) / R_{IN}$					
INPUT OVERVOLTAGE PROTECTION CIRCUIT							
V_{OVP}	All input ranges	AVDD = 5 V, all input ranges		-20		20	V
		AVDD = floating, all input ranges		-11		11	
INPUT BANDWIDTH							
$f_{-3\text{ dB}}$	Small-signal Input bandwidth	-3 dB	All input ranges		15		kHz
$f_{-0.1\text{ dB}}$		-0.1 dB	All input ranges		2.5		

(1) Ideal input span, does not include gain or offset error.

Electrical Characteristics (continued)

all minimum and maximum specifications are at $T_A = -40^\circ\text{C}$ to $+125^\circ\text{C}$; typical specifications are at $T_A = 25^\circ\text{C}$; $AV_{DD} = 5\text{ V}$, $DV_{DD} = 3.3\text{ V}$, $V_{REF} = 4.096\text{ V}$ (internal), and maximum throughput (unless otherwise noted)

PARAMETER		TEST CONDITIONS		MIN	TYP	MAX	UNIT
SYSTEM PERFORMANCE							
	Resolution			18			Bits
NMC	No missing codes			18			Bits
DNL	Differential nonlinearity ⁽²⁾	All input ranges		-0.9	±0.6	1.1	LSB
INL	Integral nonlinearity ⁽²⁾	ADS8691	Input range = $\pm 3 \times V_{REF}$, $\pm 2.5 \times V_{REF}$, $\pm 1.5 \times V_{REF}$, $\pm 1.25 \times V_{REF}$	-3.25	±1.75	3.25	LSB
			Input range = $\pm 0.625 \times V_{REF}$	-4.25	±2.25	4.25	
			All unipolar ranges ⁽³⁾	-3.5	±2	3.5	
		ADS8695, ADS8699	All input ranges	-3	±1.5	3	
E _O	Offset error ⁽⁴⁾	At $T_A = 25^\circ\text{C}$	All bipolar ranges ⁽⁵⁾	-1	±0.2	1	mV
			All unipolar ranges ⁽³⁾	-2	±0.2	2	
	Offset error drift with temperature	All input ranges		-3	±0.75	3	ppm/°C
E _G	Gain error ⁽⁶⁾	At $T_A = 25^\circ\text{C}$, all input ranges		-0.025	±0.01	0.025	%FSR
		Gain error drift with temperature ⁽⁷⁾		-5	±1	5	
DYNAMIC CHARACTERISTICS							
SNR	Signal-to-noise ratio ⁽⁸⁾	Input range = $\pm 3 \times V_{REF}$		91	92.5	dB	
		Input range = $\pm 2.5 \times V_{REF}$		91	92.5		
		Input range = $\pm 1.5 \times V_{REF}$		90	91.5		
		Input range = $\pm 1.25 \times V_{REF}$		90	91.5		
		Input range = $\pm 0.625 \times V_{REF}$		87.75	90		
		Input range = $3 \times V_{REF}$		89.5	91		
		Input range = $2.5 \times V_{REF}$		89.5	91		
		Input range = $1.5 \times V_{REF}$		88	91		
		Input range = $1.25 \times V_{REF}$		88	90		
THD	Total harmonic distortion ⁽⁹⁾⁽⁸⁾	All input ranges			-110		dB
SINAD	Signal-to-noise + distortion ⁽⁸⁾	Input range = $\pm 3 \times V_{REF}$		90.9	92.5	dB	
		Input range = $\pm 2.5 \times V_{REF}$		90.9	92.5		
		Input range = $\pm 1.5 \times V_{REF}$		89.9	91.5		
		Input range = $\pm 1.25 \times V_{REF}$		89.9	91.5		
		Input range = $\pm 0.625 \times V_{REF}$		87.65	90		
		Input range = $3 \times V_{REF}$		89.25	91		
		Input range = $2.5 \times V_{REF}$		89.25	91		
		Input range = $1.5 \times V_{REF}$		87.75	90		
		Input range = $1.25 \times V_{REF}$		87.75	90		
SFDR	Spurious-free dynamic range ⁽⁸⁾	All input ranges			114		dB

(2) This specification indicates the endpoint INL, not best-fit INL.

(3) Unipolar ranges are 0 V–12.288 V, 0 V–10.24 V, 0 V–6.144 V, and 0 V–5.12 V.

(4) Measured relative to actual measured reference.

(5) Bipolar ranges are ±12.288 V, ±10.24 V, ±6.144 V, ±5.12 V, and ±2.56 V.

(6) Excludes internal reference accuracy error.

(7) Excludes internal reference temperature drift.

(8) All specifications expressed in decibels (dB) refer to the full-scale input (FSR) and are tested with a 1-kHz input signal 0.25 dB below full-scale, unless otherwise specified.

(9) Calculated on the first nine harmonics of the input frequency.

Electrical Characteristics (continued)

all minimum and maximum specifications are at $T_A = -40^{\circ}\text{C}$ to $+125^{\circ}\text{C}$; typical specifications are at $T_A = 25^{\circ}\text{C}$; AVDD = 5 V, DVDD = 3.3 V, $V_{\text{REF}} = 4.096$ V (internal), and maximum throughput (unless otherwise noted)

PARAMETER		TEST CONDITIONS	MIN	TYP	MAX	UNIT	
SAMPLING DYNAMICS							
t_{CONV}	Conversion time	ADS8691			665	ns	
		ADS8695			1000		
		ADS8699			5000		
t_{ACQ}	Acquisition time	ADS8691	335			ns	
		ADS8695	1000				
		ADS8699	5000				
f_{cycle}	Maximum throughput rate without latency	ADS8691			1000	kSPS	
		ADS8695			500		
		ADS8699			100		
INTERNAL REFERENCE OUTPUT							
V_{REFIO}	On the REFIO pin (configured as an output)	At $T_A = 25^{\circ}\text{C}$	4.095	4.096	4.097	V	
dV_{REFIO}/dT_A	Internal reference temperature drift			4	7	ppm/ $^{\circ}\text{C}$	
$C_{\text{OUT_REFIO}}$	Decoupling capacitor on REFIO pin		4.7			μF	
V_{REFCAP}	Reference voltage to the ADC (on the REFCAP pin)	At $T_A = 25^{\circ}\text{C}$	4.095	4.096	4.097	V	
	REFCAP temperature drift			0.5	2	ppm/ $^{\circ}\text{C}$	
$C_{\text{OUT_REFCAP}}$	Decoupling capacitor on REFCAP pin		10			μF	
	Turn-on time	$C_{\text{OUT_REFCAP}} = 10 \mu\text{F}$, $C_{\text{OUT_REFIO}} = 10 \mu\text{F}$		20		ms	
EXTERNAL REFERENCE INPUT							
$V_{\text{REFIO_EXT}}$	External reference voltage on REFIO	REFIO pin configured as an input	4.046	4.096	4.146	V	
AVDD COMPARATOR							
$V_{\text{TH_HIGH}}$	High threshold voltage			5.3		V	
$V_{\text{TH_LOW}}$	Low threshold voltage			4.7		V	
POWER-SUPPLY REQUIREMENTS							
AVDD	Analog power-supply voltage		4.75	5	5.25		
DVDD	Digital power-supply voltage	Operating range	1.65	3.3	AVDD	V	
		Supply range for specified performance	2.7	3.3	AVDD		
$I_{\text{AVDD_DYN}}$	Analog supply current, device converting at maximum throughput	Internal reference	ADS8691		8.2	10.5	mA
			ADS8695		5.6	7.25	
			ADS8699		4	5	
		External reference	ADS8691		7.0	8.75	
			ADS8695		4.4	5.5	
			ADS8699		2.7	3.25	
$I_{\text{AVDD_STC}}$	Analog supply current, device not converting	Internal reference	ADS8691		4.7	6.25	mA
			ADS8695, ADS8699		3.5	4.7	
		External reference	ADS8691		3.5	4.5	
			ADS8695, ADS8699		2.3	3	
$I_{\text{AVDD_STDBY}}$	Analog supply current, device in STANDBY mode	Internal reference		2.8		mA	
		External reference		1.6			
$I_{\text{AVDD_PD}}$	Analog supply current, device in PD mode	Internal reference		10		μA	
		External reference		10			
$I_{\text{DVDD_DYN}}$	Digital supply current, maximum throughput			0.2	0.25	mA	
$I_{\text{DVDD_STDBY}}$	Digital supply current, device in STANDBY mode			1		μA	
$I_{\text{DVDD_PD}}$	Digital supply current, device in PD mode			1		μA	

Electrical Characteristics (continued)

all minimum and maximum specifications are at $T_A = -40^\circ\text{C}$ to $+125^\circ\text{C}$; typical specifications are at $T_A = 25^\circ\text{C}$; $AVDD = 5\text{ V}$, $DVDD = 3.3\text{ V}$, $V_{REF} = 4.096\text{ V}$ (internal), and maximum throughput (unless otherwise noted)

PARAMETER		TEST CONDITIONS	MIN	TYP	MAX	UNIT
DIGITAL INPUTS (CMOS)						
V_{IH}	Digital high input voltage logic level	$DVDD > 2.35\text{ V}$	$0.7 \times DVDD$		$DVDD + 0.3$	V
		$DVDD \leq 2.35\text{ V}$	$0.8 \times DVDD$		$DVDD + 0.3$	
V_{IL}	Digital low input voltage logic level	$DVDD > 2.35\text{ V}$	-0.3		$0.3 \times DVDD$	V
		$DVDD \leq 2.35\text{ V}$	-0.3		$0.2 \times DVDD$	
	Input leakage current			100		nA
	Input pin capacitance			5		pF
DIGITAL OUTPUTS (CMOS)						
V_{OH}	Digital high output voltage logic level	$I_O = 500\text{-}\mu\text{A}$ source	$0.8 \times DVDD$		$DVDD$	V
V_{OL}	Digital low output voltage logic level	$I_O = 500\text{-}\mu\text{A}$ sink	0		$0.2 \times DVDD$	V
	Floating state leakage current	Only for digital output pins		1		μA
	Internal pin capacitance			5		pF
TEMPERATURE RANGE						
T_A	Operating free-air temperature		-40		125	$^\circ\text{C}$

6.6 Timing Requirements: Conversion Cycle

all minimum and maximum specifications are at $T_A = -40^\circ\text{C}$ to $+125^\circ\text{C}$; typical specifications are at $T_A = 25^\circ\text{C}$; $AVDD = 5\text{ V}$, $DVDD = 3.3\text{ V}$, $V_{REF} = 4.096\text{ V}$ (internal), and maximum throughput (unless otherwise noted)

		MIN	TYP	MAX	UNIT
TIMING REQUIREMENTS					
f_{cycle}	Sampling frequency	ADS8691		1000	kSPS
		ADS8695		500	
		ADS8699		100	
t_{cycle}	ADC cycle time period	$1/f_{\text{cycle}}$			
t_{acq}	Acquisition time	ADS8691	335		ns
		ADS8695	1000		
		ADS8699	5000		
TIMING SPECIFICATIONS					
t_{conv}	Conversion time	ADS8691		665	ns
		ADS8695		1000	
		ADS8699		5000	

6.7 Timing Requirements: Asynchronous Reset

all minimum and maximum specifications are at $T_A = -40^\circ\text{C}$ to $+125^\circ\text{C}$; typical specifications are at $T_A = 25^\circ\text{C}$; $AVDD = 5\text{ V}$, $DVDD = 3.3\text{ V}$, $V_{REF} = 4.096\text{ V}$ (internal), and maximum throughput (unless otherwise noted)

		MIN	TYP	MAX	UNIT
TIMING REQUIREMENTS					
$t_{\text{wl_RST}}$	Pulse duration: $\overline{\text{RST}}$ high	100			ns
TIMING SPECIFICATIONS					
$t_{\text{D_RST_POR}}$	Delay time for POR reset: $\overline{\text{RST}}$ rising to RVS rising		20		ms
$t_{\text{D_RST_APP}}$	Delay time for application reset: $\overline{\text{RST}}$ rising to $\overline{\text{CONVST}}/\overline{\text{CS}}$ rising			1	μs
$t_{\text{NAP_WKUP}}$	Wake-up time: NAP mode			20	μs
t_{PWRUP}	Power-up time: PD mode		20		ms

6.8 Timing Requirements: SPI-Compatible Serial Interface

all minimum and maximum specifications are at $T_A = -40^\circ\text{C}$ to $+125^\circ\text{C}$; typical specifications are at $T_A = 25^\circ\text{C}$; $AVDD = 5\text{ V}$, $DVDD = 3.3\text{ V}$, $V_{REF} = 4.096\text{ V}$ (internal), and maximum throughput (unless otherwise noted)

		MIN	TYP	MAX	UNIT
TIMING REQUIREMENTS					
f_{CLK}	Serial clock frequency			66.67	MHz
t_{CLK}	Serial clock time period	$1/f_{\text{CLK}}$			
$t_{\text{PH_CK}}$	SCLK high time	0.45		0.55	t_{CLK}
$t_{\text{PL_CK}}$	SCLK low time	0.45		0.55	t_{CLK}
$t_{\text{SU_CSCK}}$	Setup time: $\overline{\text{CONVST}}/\overline{\text{CS}}$ falling to first SCLK capture edge	7.5			ns
$t_{\text{SU_CKDI}}$	Setup time: SDI data valid to SCLK capture edge	7.5			ns
$t_{\text{HT_CKDI}}$	Hold time: SCLK capture edge to (previous) data valid on SDI	7.5			ns
$t_{\text{HT_CKCS}}$	Delay time: last SCLK capture edge to $\overline{\text{CONVST}}/\overline{\text{CS}}$ rising	7.5			ns
TIMING SPECIFICATIONS					
$t_{\text{DEN_CSDO}}$	Delay time: $\overline{\text{CONVST}}/\overline{\text{CS}}$ falling edge to data enable			9.5	ns
$t_{\text{DZ_CSDO}}$	Delay time: $\overline{\text{CONVST}}/\overline{\text{CS}}$ rising to SDO-x going to 3-state			10	ns
$t_{\text{D_CKDO}}$	Delay time: SCLK launch edge to (next) data valid on SDO-x			12	ns
$t_{\text{D_CSRVS}}$	Delay time: $\overline{\text{CONVST}}/\overline{\text{CS}}$ rising edge to RVS falling			14	ns

6.9 Timing Requirements: Source-Synchronous Serial Interface (External Clock)

all minimum and maximum specifications are at $T_A = -40^\circ\text{C}$ to $+125^\circ\text{C}$; typical specifications are at $T_A = 25^\circ\text{C}$; $AVDD = 5\text{ V}$, $DVDD = 3.3\text{ V}$, $V_{REF} = 4.096\text{ V}$ (internal), and maximum throughput (unless otherwise noted)

		MIN	TYP	MAX	UNIT
TIMING REQUIREMENTS					
f_{CLK}	Serial clock frequency			66.67	MHz
t_{CLK}	Serial clock time period	$1/f_{CLK}$			
t_{PH_CK}	SCLK high time	0.45		0.55	t_{CLK}
t_{PL_CK}	SCLK low time	0.45		0.55	t_{CLK}
TIMING SPECIFICATIONS					
t_{DEN_CSDO}	Delay time: CONVST/ \overline{CS} falling edge to data enable			9.5	ns
t_{DZ_CSDO}	Delay time: CONVST/ \overline{CS} rising to SDO-x going to 3-state			10	ns
$t_{D_CKRVS_r}$	Delay time: SCLK rising edge to RVS rising			14	ns
$t_{D_CKRVS_f}$	Delay time: SCLK falling edge to RVS falling			14	ns
t_{D_RVSDO}	Delay time: RVS rising to (next) data valid on SDO-x			2.5	ns
t_{D_CSRVS}	Delay time: CONVST/ \overline{CS} rising edge to RVS displaying internal device state			15	ns

6.10 Timing Requirements: Source-Synchronous Serial Interface (Internal Clock)

all minimum and maximum specifications are at $T_A = -40^\circ\text{C}$ to $+125^\circ\text{C}$; typical specifications are at $T_A = 25^\circ\text{C}$; $AVDD = 5\text{ V}$, $DVDD = 3.3\text{ V}$, $V_{REF} = 4.096\text{ V}$ (internal), and maximum throughput (unless otherwise noted)

		MIN	TYP	MAX	UNIT
TIMING SPECIFICATIONS					
t_{DEN_CSDO}	Delay time: CONVST/ \overline{CS} falling edge to data enable			9.5	ns
t_{DZ_CSDO}	Delay time: CONVST/ \overline{CS} rising to SDO-x going to 3-state			10	ns
t_{DEN_CSRVS}	Delay time: CONVST/ \overline{CS} falling edge to first rising edge on RVS			50	ns
t_{D_RVSDO}	Delay time: RVS rising to (next) data valid on SDO-x			2.5	ns
t_{INTCLK}	Time period: internal clock	15			ns
t_{CYC_RVS}	Time period: RVS signal	15			ns
t_{WH_RVS}	RVS high time	0.4		0.6	t_{INTCLK}
t_{WL_RVS}	RVS low time	0.4		0.6	t_{INTCLK}
t_{D_CSRVS}	Delay time: CONVST/ \overline{CS} rising edge to RVS displaying internal device state			15	ns

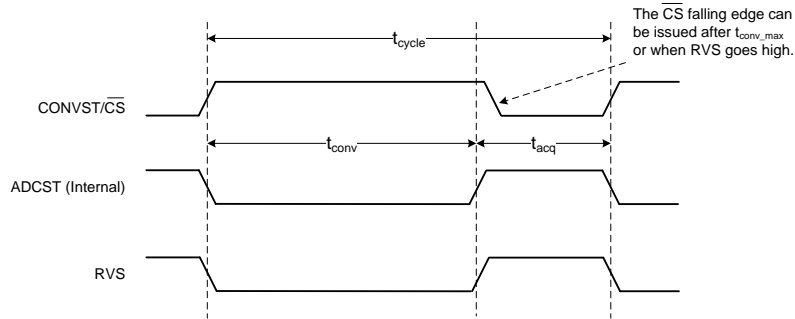


Figure 1. Conversion Cycle Timing Diagram

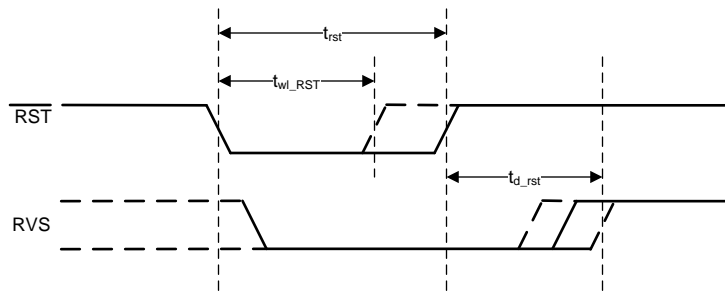


Figure 2. Asynchronous Reset Timing Diagram

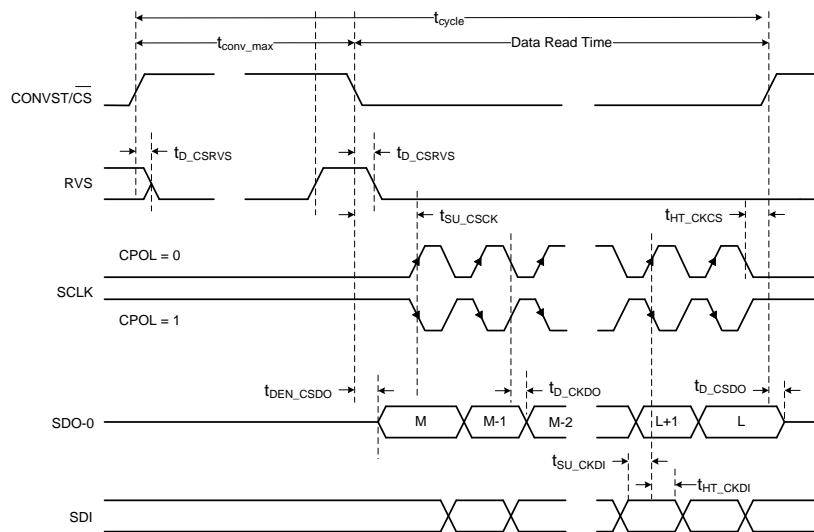


Figure 3. Standard SPI Interface Timing Diagram for CPHA = 0

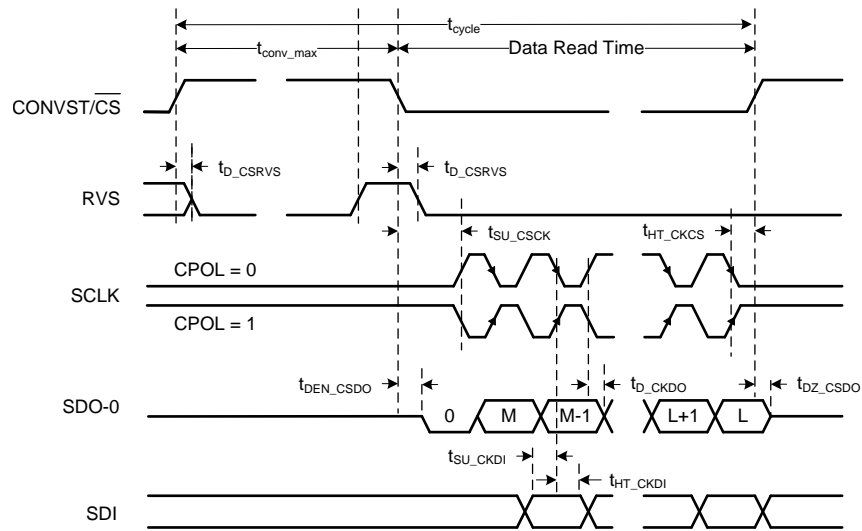


Figure 4. Standard SPI Interface Timing Diagram for CPHA = 1

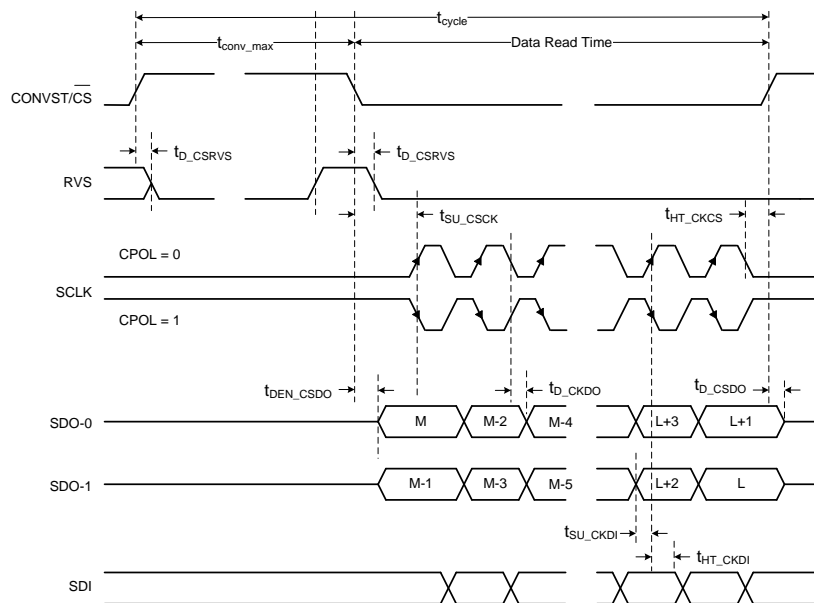


Figure 5. multiSPI Interface Timing Diagram for Dual SDO-x and CPHA = 0

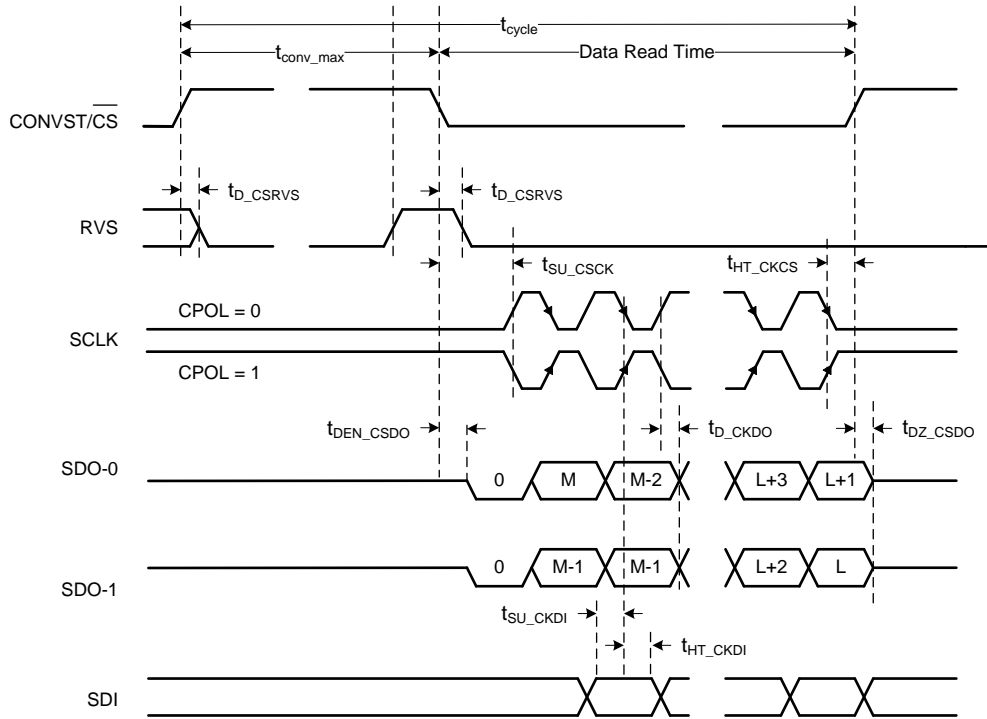


Figure 6. multiSPI Interface Timing Diagram for Dual SDO-x and CPHA = 1

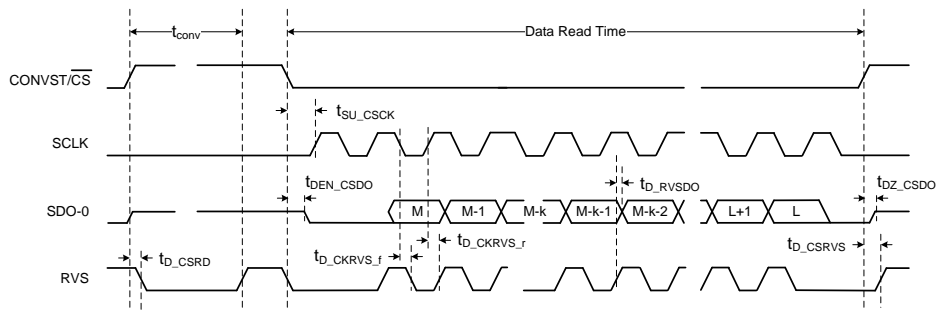


Figure 7. multiSPI Source-Synchronous External Clock Serial Interface Timing Diagram

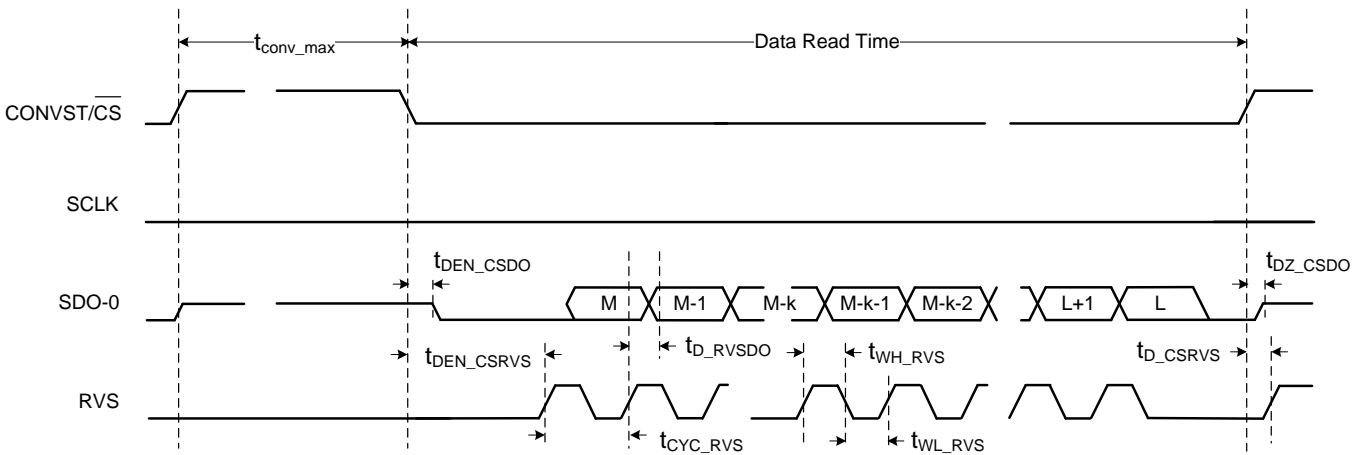


Figure 8. multiSPI Source-Synchronous Internal Clock Serial Interface Timing Diagram

6.11 Typical Characteristics

at $T_A = 25^\circ\text{C}$, $AV_{DD} = 5\text{ V}$, $DV_{DD} = 3\text{ V}$, $V_{REF} = 4.096\text{ V}$ (internal), and maximum throughput (unless otherwise noted)

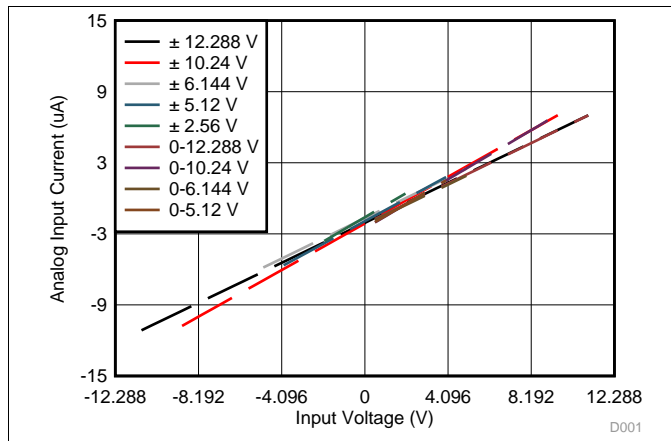


Figure 9. Input I-V Characteristic Across Input Ranges

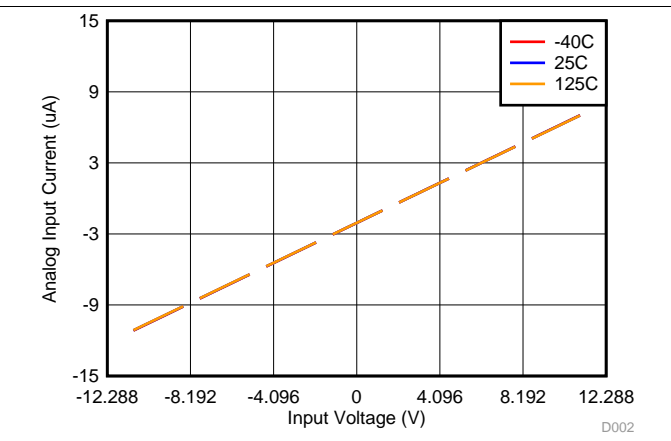


Figure 10. Input I-V Characteristic Across Temperature

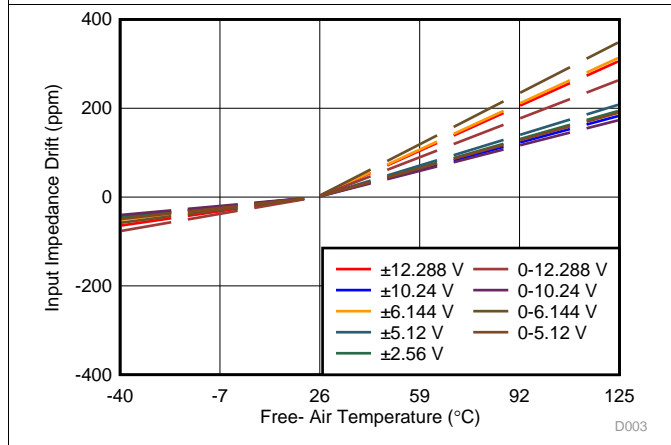


Figure 11. Input Impedance Drift vs Temperature

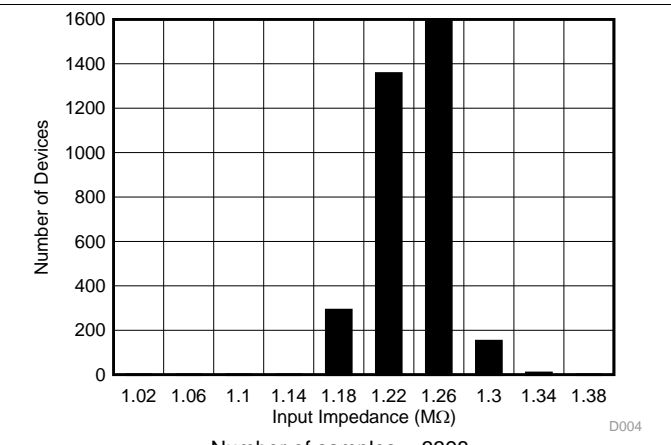


Figure 12. Typical Distribution of Input Impedance

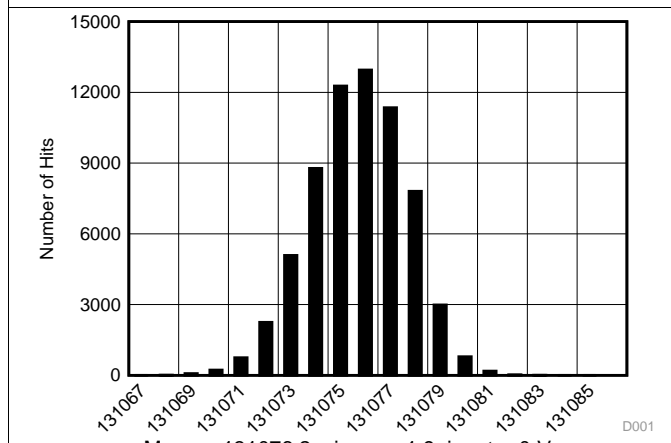


Figure 13. DC Histogram for Mid-Scale Inputs ($\pm 12.288\text{ V}$)

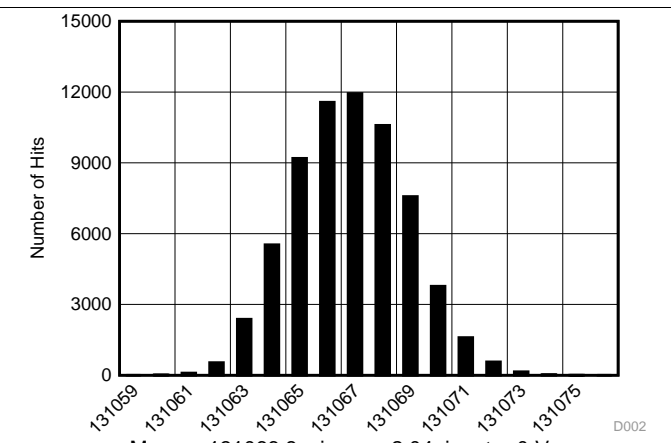


Figure 14. DC Histogram for Mid-Scale Inputs ($\pm 10.24\text{ V}$)

Typical Characteristics (continued)

at $T_A = 25^\circ\text{C}$, $AVDD = 5\text{ V}$, $DVDD = 3\text{ V}$, $V_{REF} = 4.096\text{ V}$ (internal), and maximum throughput (unless otherwise noted)

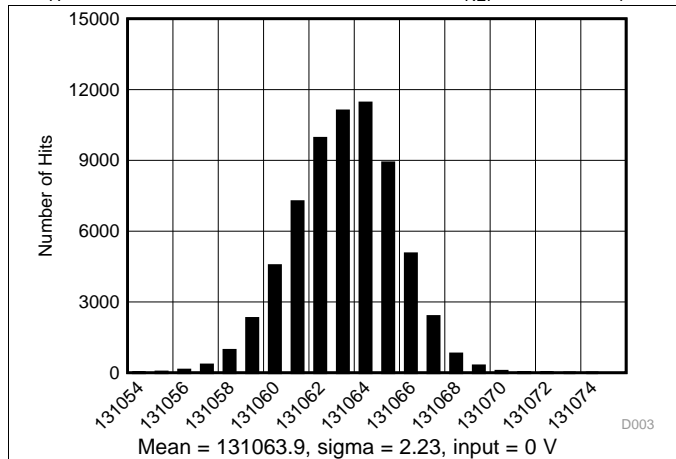


Figure 15. DC Histogram for Mid-Scale Inputs ($\pm 6.144\text{ V}$)

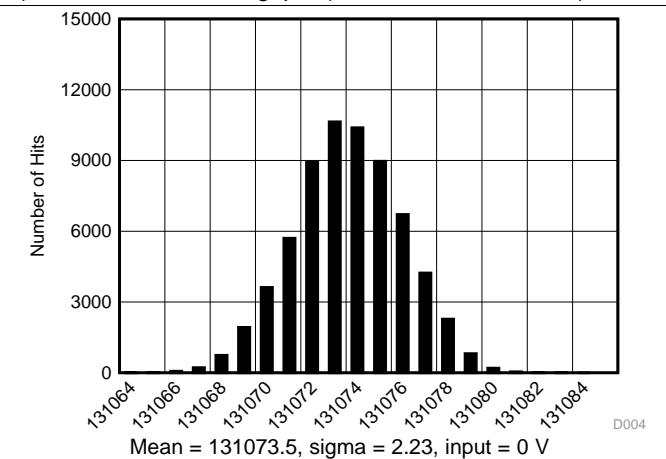


Figure 16. DC Histogram for Mid-Scale Inputs ($\pm 5.12\text{ V}$)

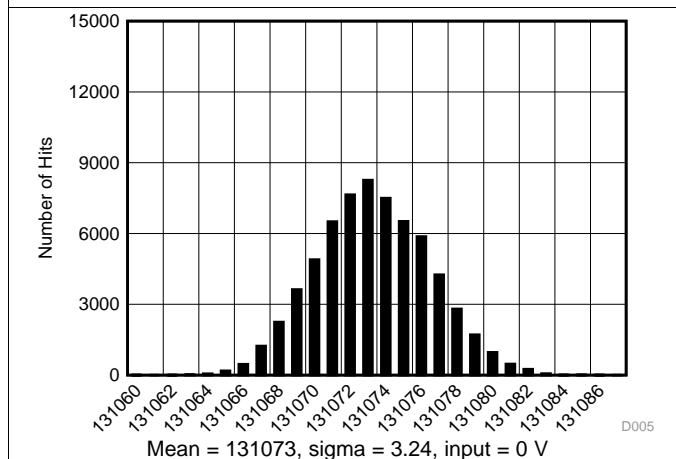


Figure 17. DC Histogram for Mid-Scale Inputs ($\pm 2.56\text{ V}$)

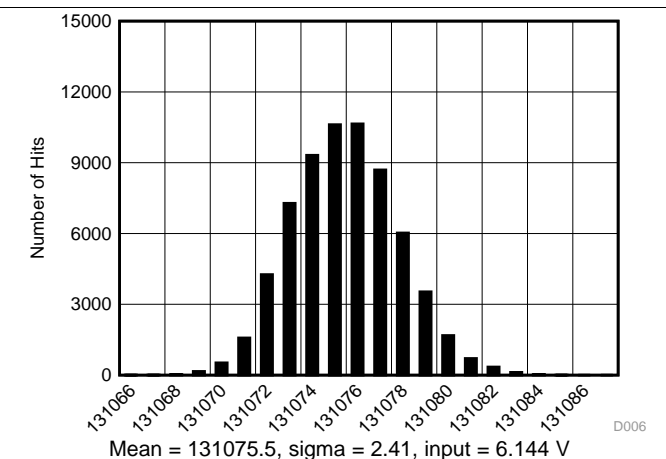


Figure 18. DC Histogram for Mid-Scale Inputs (0 V–12.288 V)

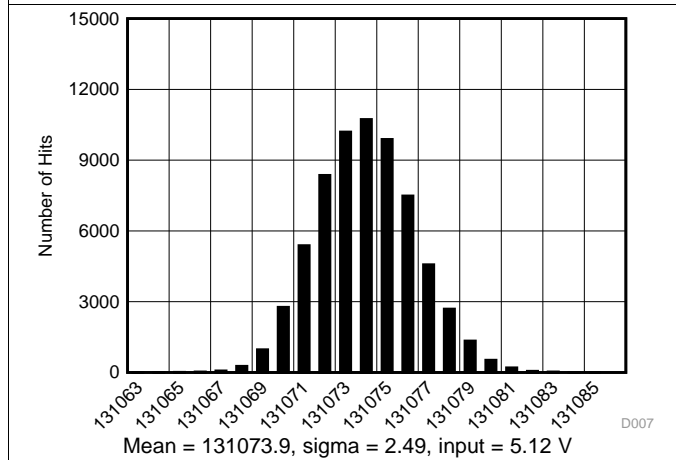


Figure 19. DC Histogram for Mid-Scale Inputs (0 V–10.24 V)

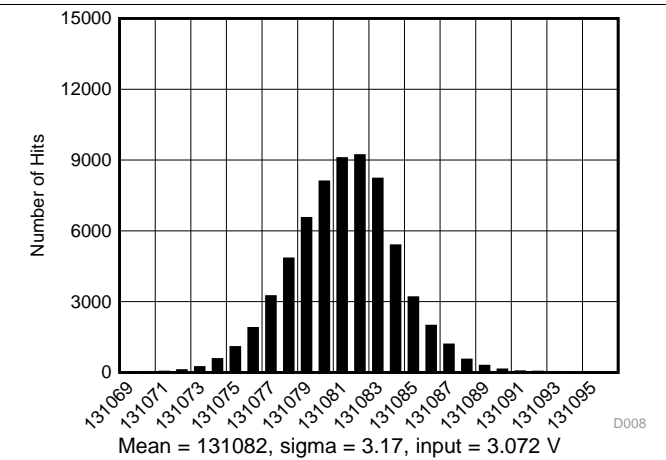
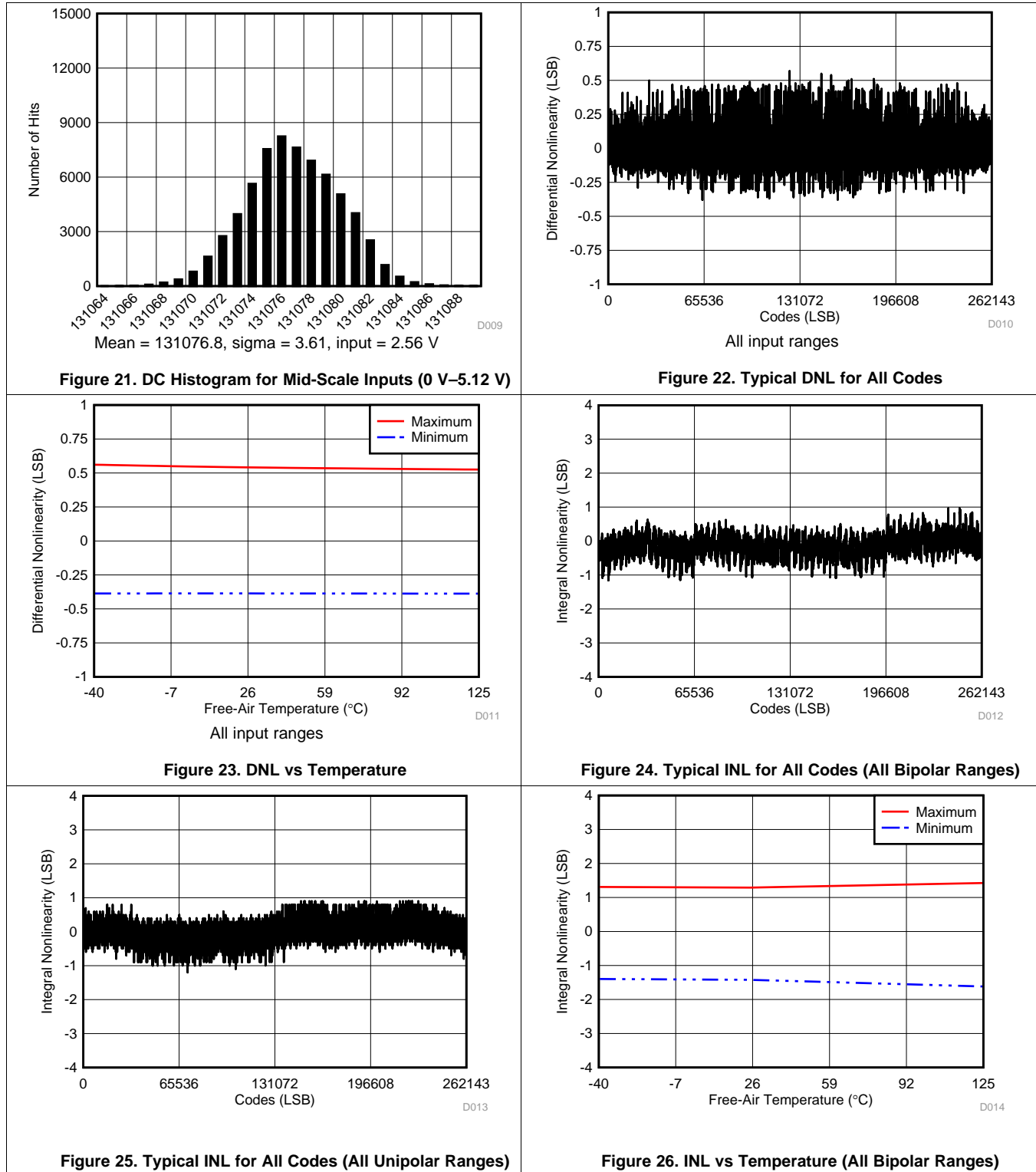


Figure 20. DC Histogram for Mid-Scale Inputs (0 V–6.144 V)

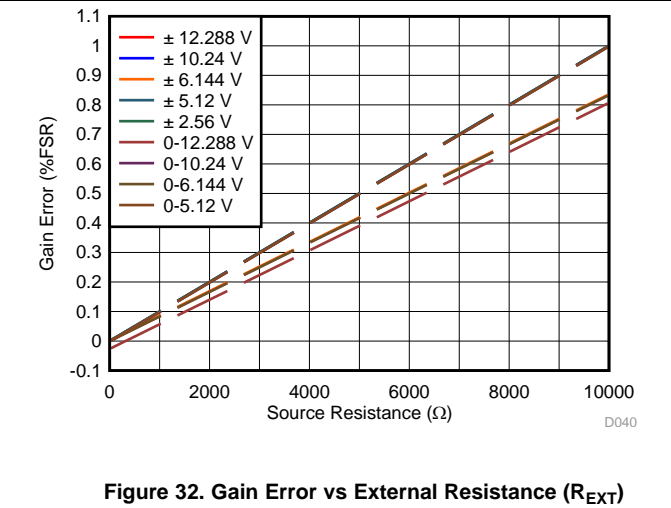
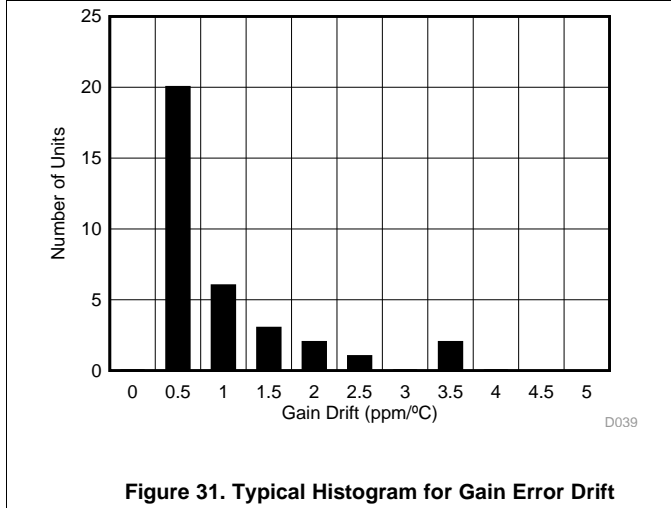
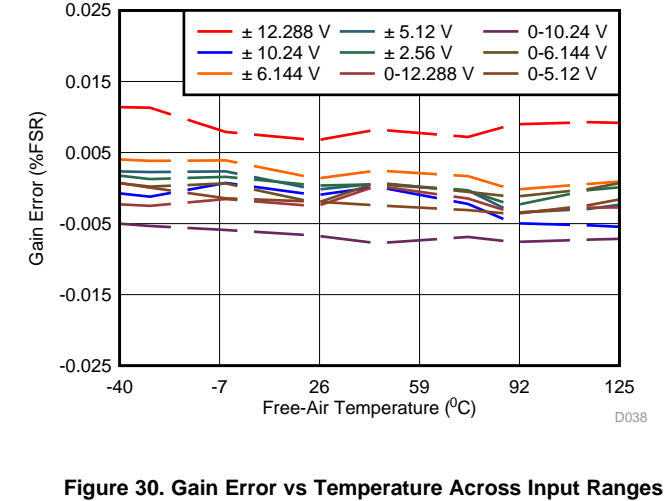
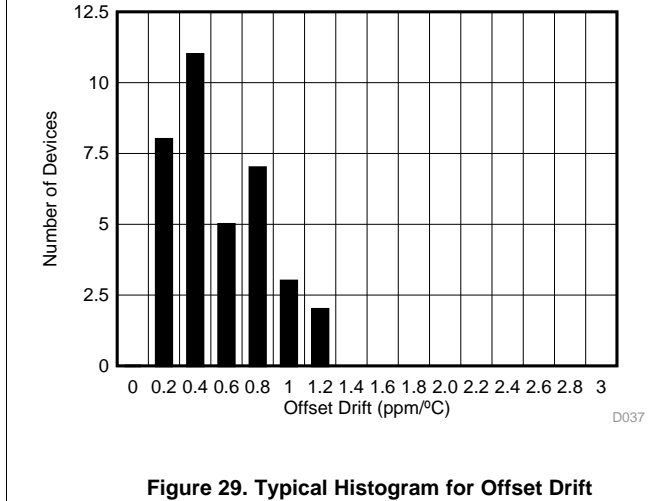
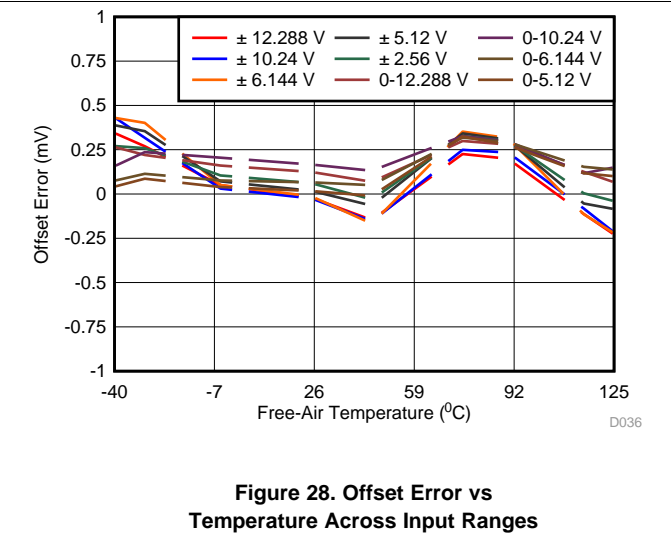
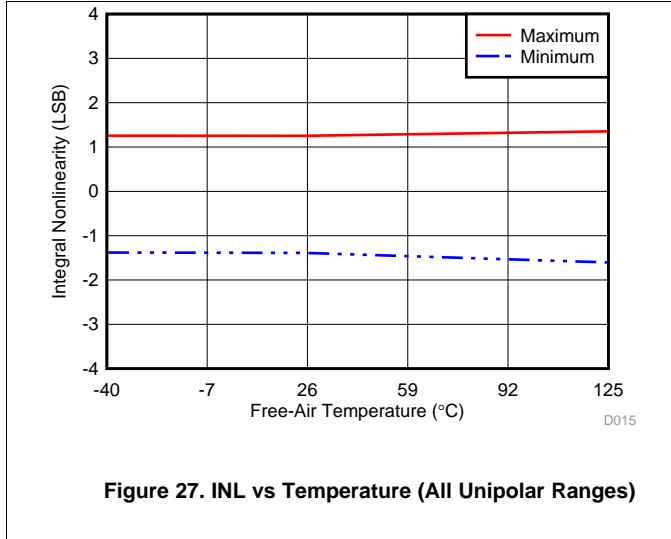
Typical Characteristics (continued)

at $T_A = 25^\circ\text{C}$, $AV_{DD} = 5\text{ V}$, $DV_{DD} = 3\text{ V}$, $V_{REF} = 4.096\text{ V}$ (internal), and maximum throughput (unless otherwise noted)



Typical Characteristics (continued)

at $T_A = 25^\circ\text{C}$, $AVDD = 5\text{ V}$, $DVDD = 3\text{ V}$, $V_{REF} = 4.096\text{ V}$ (internal), and maximum throughput (unless otherwise noted)



Typical Characteristics (continued)

at $T_A = 25^\circ\text{C}$, $AV_{DD} = 5\text{ V}$, $DV_{DD} = 3\text{ V}$, $V_{REF} = 4.096\text{ V}$ (internal), and maximum throughput (unless otherwise noted)

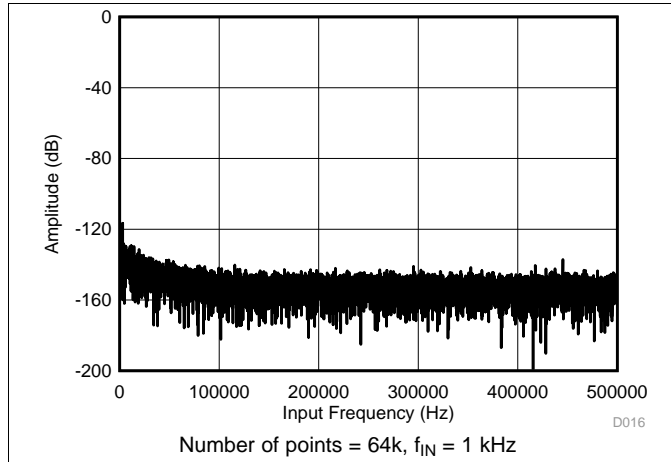


Figure 33. Typical FFT Plot (All Ranges) for the ADS8691

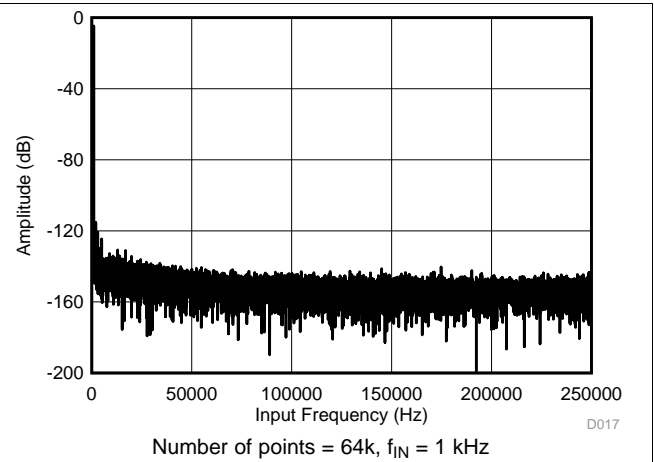


Figure 34. Typical FFT Plot (All Ranges) for the ADS8695

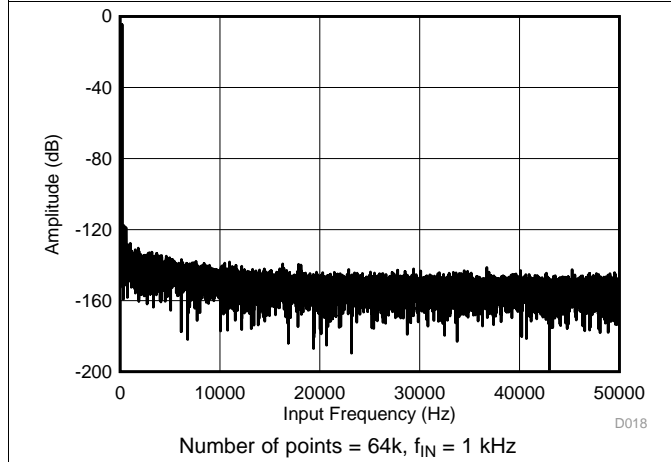


Figure 35. Typical FFT Plot (All Ranges) for the ADS8699

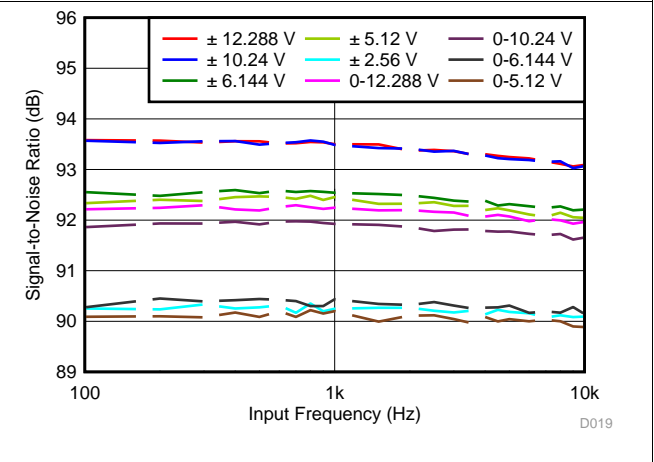


Figure 36. SNR vs Input Frequency

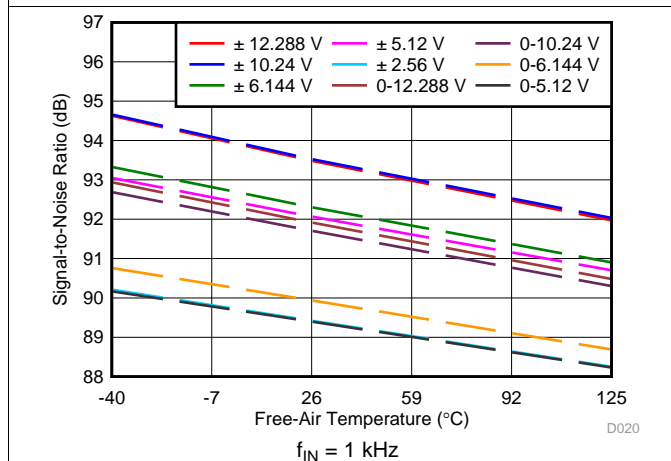


Figure 37. SNR vs Temperature

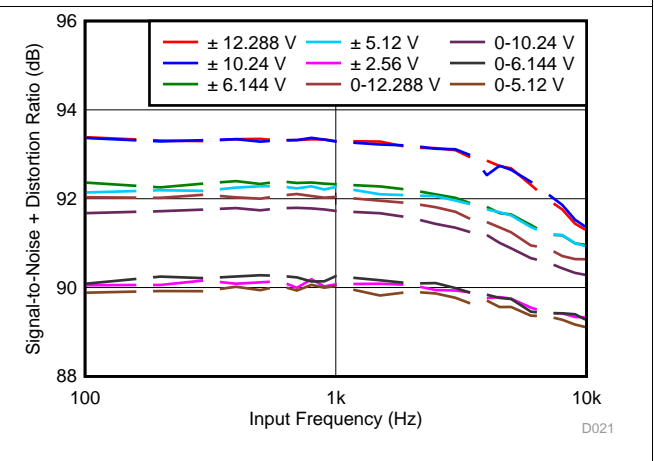
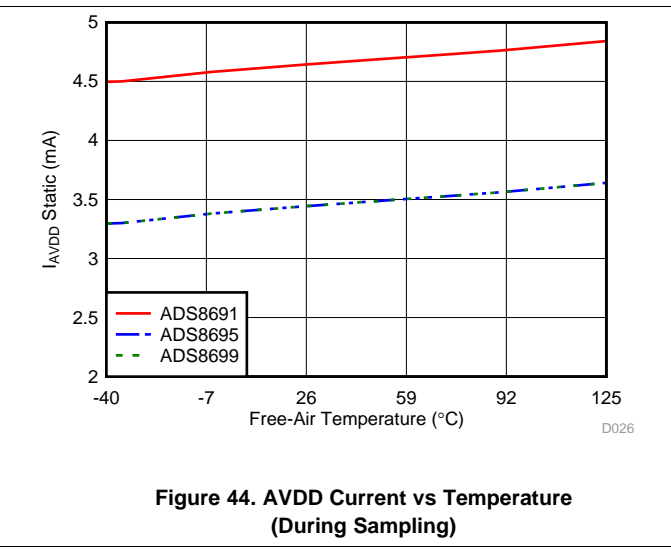
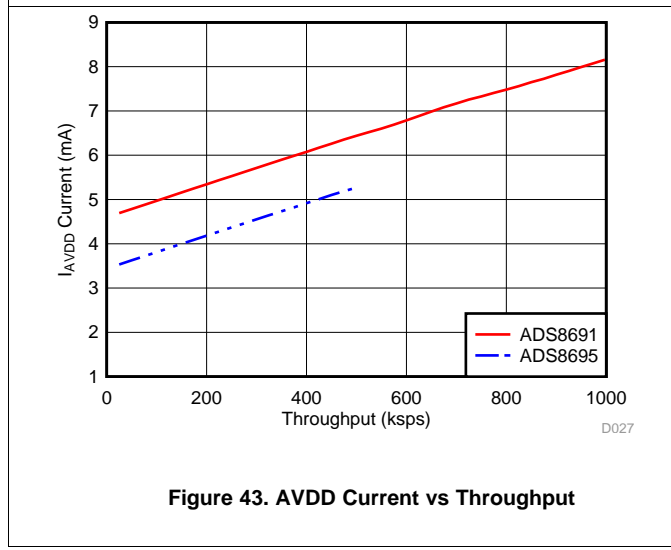
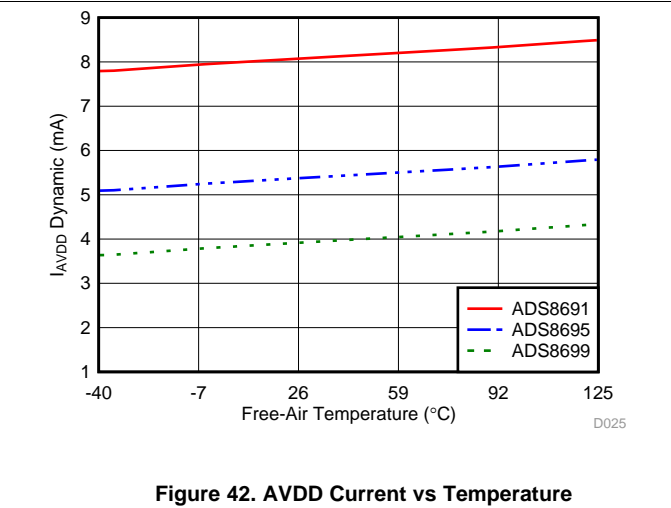
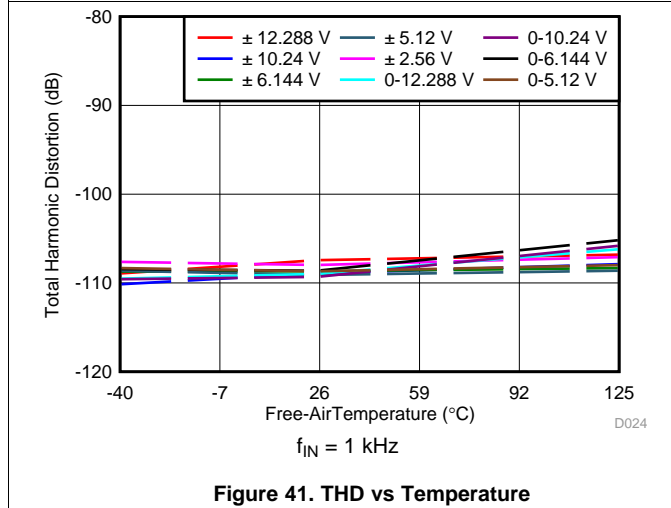
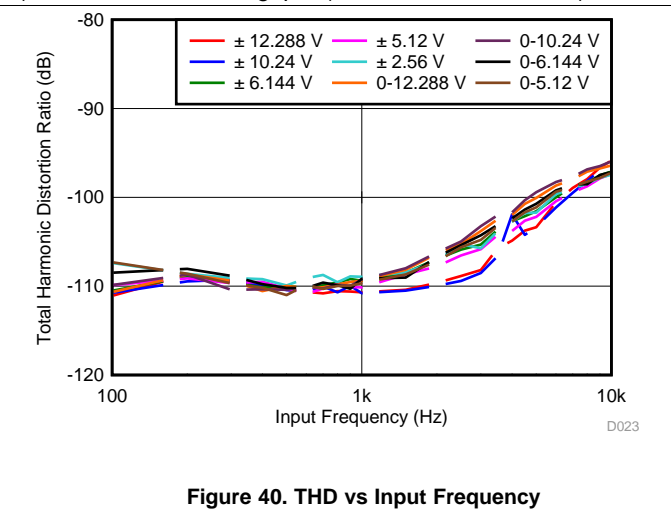
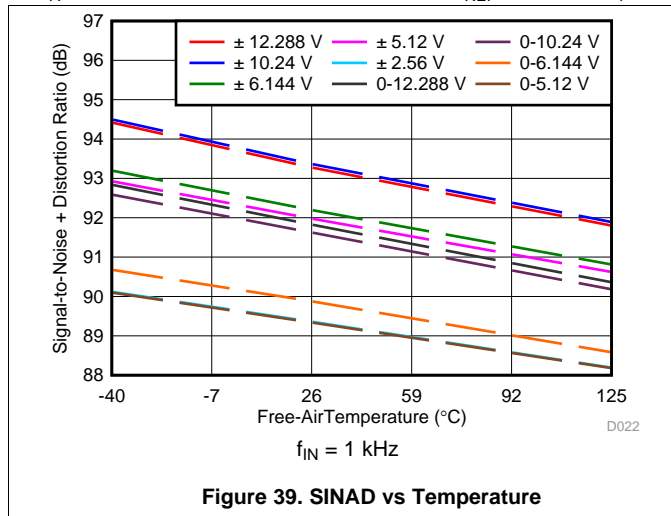


Figure 38. SINAD vs Input Frequency

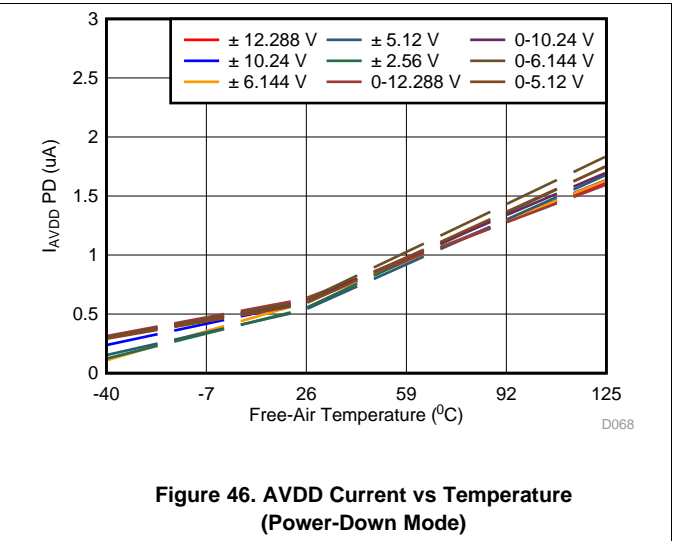
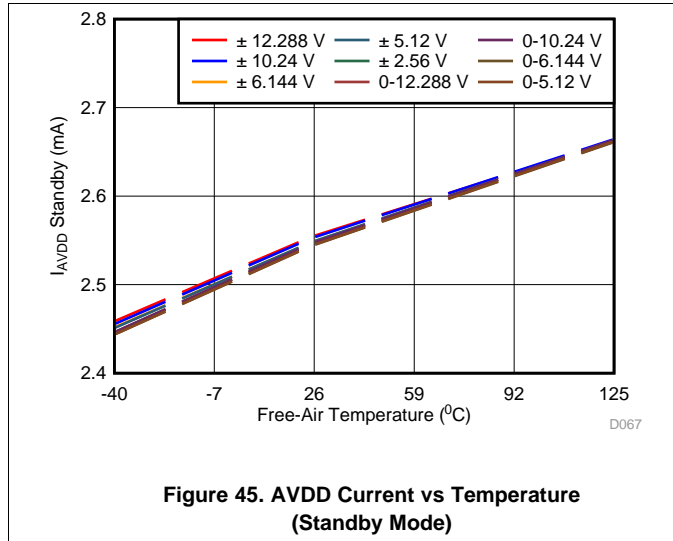
Typical Characteristics (continued)

at $T_A = 25^\circ\text{C}$, $AVDD = 5\text{ V}$, $DVDD = 3\text{ V}$, $V_{REF} = 4.096\text{ V}$ (internal), and maximum throughput (unless otherwise noted)



Typical Characteristics (continued)

at $T_A = 25^\circ\text{C}$, $AVDD = 5\text{ V}$, $DVDD = 3\text{ V}$, $V_{REF} = 4.096\text{ V}$ (internal), and maximum throughput (unless otherwise noted)



7 Detailed Description

7.1 Overview

The ADS869x devices belong to a family of high-speed, high-performance, easy-to-use integrated data acquisition system. This single-channel device supports true bipolar input voltage swings up to ± 12.288 V, operating on a single 5-V analog supply. The device features an enhanced SPI interface (multiSPI) that allows the sampling rate to be maximized even with lower speed host controllers.

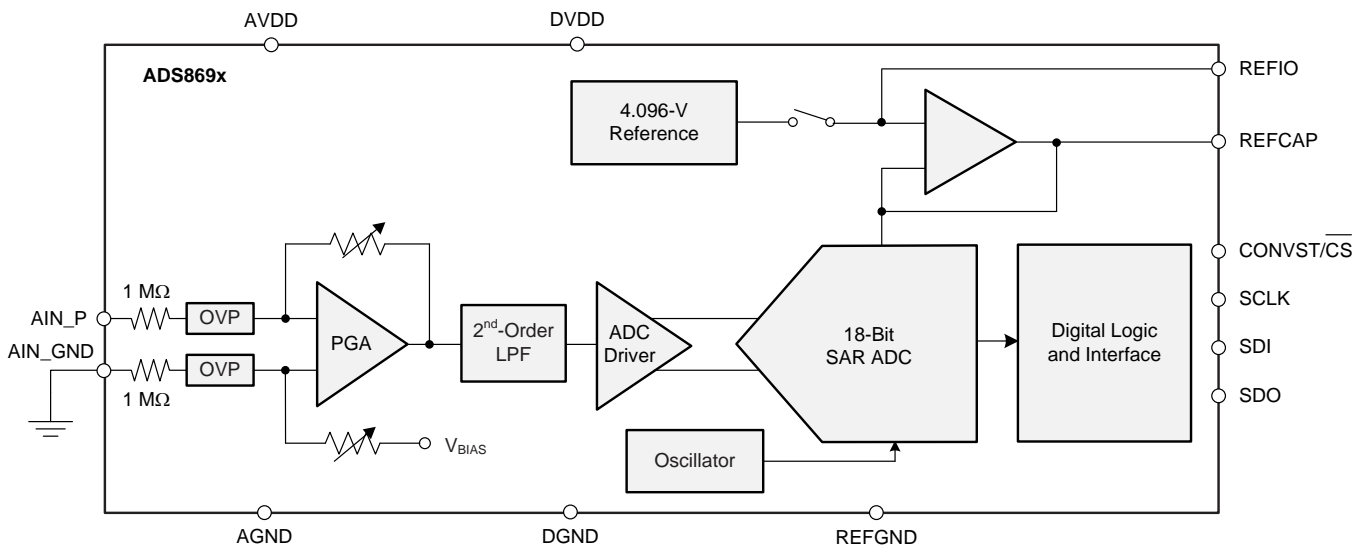
The device consists of a high-precision successive approximation register (SAR) analog-to-digital converter (ADC) and a power-optimized analog front-end (AFE) circuit for signal conditioning that includes:

- A high-resistive input impedance (≥ 1 M Ω) that is independent of the sampling rate
- A programmable gain amplifier (PGA) with a pseudo-differential input configuration supporting nine software-programmable unipolar and bipolar input ranges
- A second-order, low-pass antialiasing filter
- An ADC driver amplifier that ensures quick settling of the SAR ADC input for high accuracy
- An input overvoltage protection circuit up to ± 20 V

The device also features a low temperature drift, 4.096-V internal reference with a fast-settling buffer and a multiSPI serial interface with daisy-chain (DAISY) and ALARM features.

The integration of the precision AFE circuit with high input impedance and a precision ADC operating from a single 5-V supply offers a simplified end solution without requiring external high-voltage bipolar supplies and complicated driver circuits.

7.2 Functional Block Diagram



7.3 Feature Description

7.3.1 Analog Input Structure

The device features a pseudo-differential input structure, meaning that the single-ended analog input signal is applied at the positive input AIN_P and the negative input AIN_GND is tied to GND. Figure 47 shows the simplified circuit schematic for the AFE circuit, including the input overvoltage protection circuit, PGA, low-pass filter (LPF), and high-speed ADC driver.

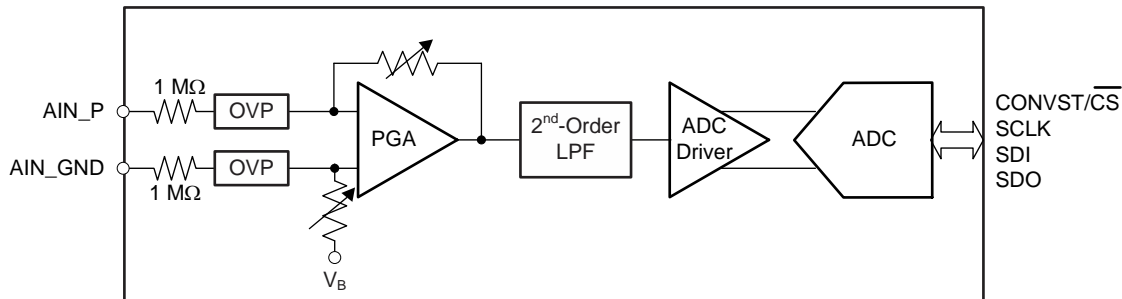


Figure 47. Simplified Analog Front-End Circuit Schematic

The device can support multiple unipolar or bipolar, single-ended input voltage ranges based on the configuration of the program registers. As explained in the [RANGE_SEL_REG register](#), the input voltage range can be configured to bipolar $\pm 3 \times V_{REF}$, $\pm 2.5 \times V_{REF}$, $\pm 1.5 \times V_{REF}$, $\pm 1.25 \times V_{REF}$, and $\pm 0.625 \times V_{REF}$ or unipolar 0 to $3 \times V_{REF}$, 0 to $2.5 \times V_{REF}$, 0 to $1.5 \times V_{REF}$ and 0 to $1.25 \times V_{REF}$. With the internal or external reference voltage set to 4.096 V, the input ranges of the device can be configured to bipolar ranges of ± 12.288 V, ± 10.24 V, ± 6.144 V, ± 5.12 V, and ± 2.56 V or unipolar ranges of 0 V to 12.288 V, 0 V to 10.24 V, 0 V to 6.144 V, and 0 V to 5.12 V.

The device samples the voltage difference (AIN_P – AIN_GND) between the analog input and the AIN_GND pin. The device allows a ± 0.1 -V range on the AIN_GND pin. This feature is useful in modular systems where the sensor or signal-conditioning block is further away from the ADC on the board and when a difference in the ground potential of the sensor or signal conditioner from the ADC ground is possible. In such cases, running separate wires from the AIN_GND pin of the device to the sensor or signal-conditioning ground is recommended. In order to obtain optimum performance, the input currents and impedances along each input path are recommended to be matched. The two single-ended signals to AIN_P and AIN_GND must be routed as symmetrically as possible from the signal source to the ADC input pins.

If the analog input pin (AIN_P) to the device is left floating, the output of the ADC corresponds to an internal biasing voltage. The output from the ADC must be considered as invalid if the device is operated with floating input pins. This condition does not cause any damage to the device, which becomes fully functional when a valid input voltage is applied to the pins.

7.3.2 Analog Input Impedance

The device presents a resistive input impedance ≥ 1 MΩ on each of the analog inputs. The input impedance is independent of the ADC sampling frequency or the input signal frequency. The primary advantage of such high-impedance inputs is the ease of driving the ADC inputs without requiring driving amplifiers with low output impedance. Bipolar, high-voltage power supplies are not required in the system because this ADC does not require any high-voltage, front-end drivers. In most applications, the signal sources or sensor outputs can be directly connected to the ADC input, thus significantly simplifying the design of the signal chain.

In order to maintain the dc accuracy of the system, matching the external source impedance on the AIN_P input pin with an equivalent resistance on the AIN_GND pin is recommended. This matching helps cancel any additional offset error contributed by the external resistance.

Feature Description (continued)

7.3.3 Input Protection Circuit

The device features an internal overvoltage protection (OVP) circuit on each of the analog inputs. Use the internal protection circuit only as a secondary protection scheme. The external protection devices in the end application are highly recommended to be used to protect against surges, electrostatic discharge (ESD), and electrical fast transient (EFT) conditions. A conceptual block diagram of the internal OVP circuit is shown in Figure 48.

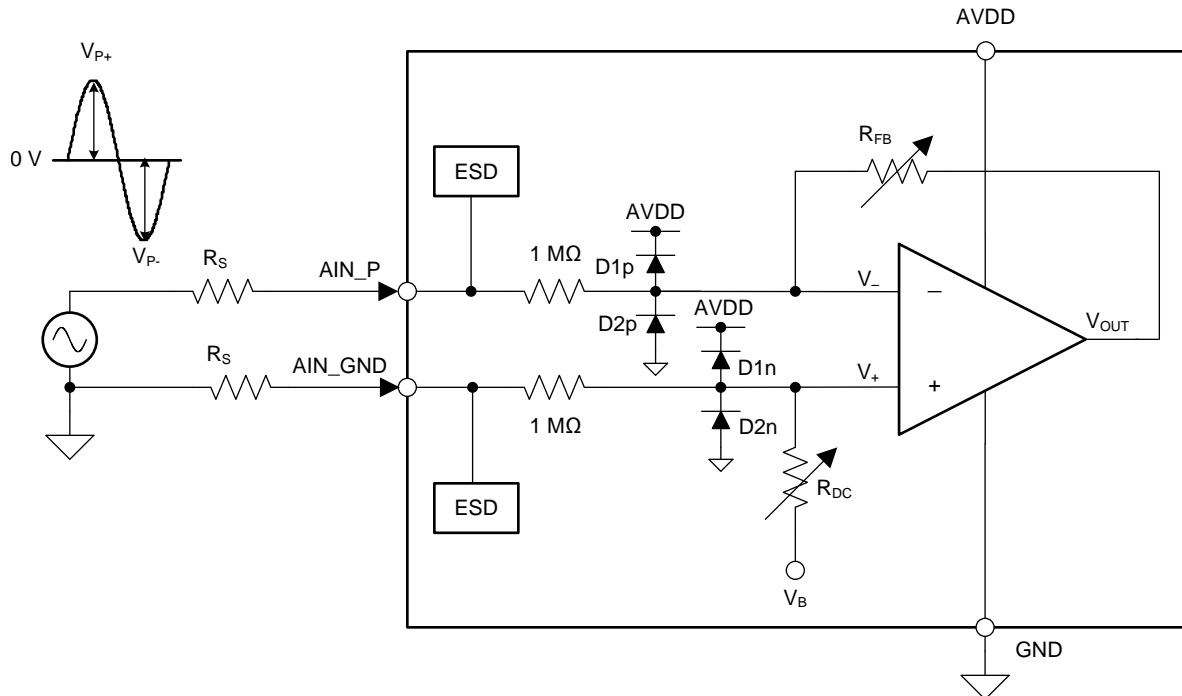


Figure 48. Input Overvoltage Protection Circuit Schematic

As shown in Figure 48, the combination of the 1-M Ω (or, 1.2 M Ω for appropriate input ranges) input resistors along with the PGA gain-setting resistors R_{FB} and R_{DC} limit the current flowing into the input pin. A combination of anti-parallel diodes, D1 and D2 are added to protect the internal circuitry and set the overvoltage protection limits.

Table 1 explains the various operating conditions for the device when powered on. This table indicates that when the device is properly powered up ($AVDD = 5\text{ V}$) or offers a low impedance of $< 30\text{ k}\Omega$, the internal overvoltage protection circuit can withstand up to $\pm 20\text{ V}$ on the analog input pins.

Table 1. Input Overvoltage Protection Limits When $AVDD = 5\text{ V}^{(1)}$

INPUT CONDITION ($V_{OVP} = \pm 20\text{ V}$)		TEST CONDITION	ADC OUTPUT	COMMENTS
CONDITION	RANGE			
$ V_{IN} < V_{RANGE} $	Within operating range	All input ranges	Valid	Device functions as per data sheet specifications.
$ V_{RANGE} < V_{IN} < V_{OVP} $	Beyond operating range but within overvoltage range	All input ranges	Saturated	ADC output is saturated, but device is internally protected (not recommended for extended time).
$ V_{IN} > V_{OVP} $	Beyond overvoltage range	All input ranges	Saturated	This usage condition can cause irreversible damage to the device.

(1) $GND = 0\text{ V}$, $AIN_GND = 0\text{ V}$, $|V_{RANGE}|$ is the maximum input voltage for any selected input range, and $|V_{OVP}|$ is the break-down voltage for the internal OVP circuit. Assume that R_S is approximately $0\ \Omega$.

The results indicated in [Table 1](#) are based on an assumption that the analog input pin is driven by a very low impedance source (R_S is approximately 0Ω). However, if the source driving the input has higher impedance, the current flowing through the protection diodes reduces further, thereby increasing the OVP voltage range. Higher source impedances result in gain errors and contribute to overall system noise performance.

[Figure 49](#) shows the voltage versus current response of the internal overvoltage protection circuit when the device is powered on. According to this current-to-voltage (I-V) response, the current flowing into the device input pin is limited by the $1\text{-M}\Omega$ (or $1.2 \text{ M}\Omega$ for appropriate input ranges) input impedance. However, for voltages beyond $\pm 20 \text{ V}$, the internal node voltages surpass the break-down voltage for internal transistors, thus setting the limit for overvoltage protection on the input pin.

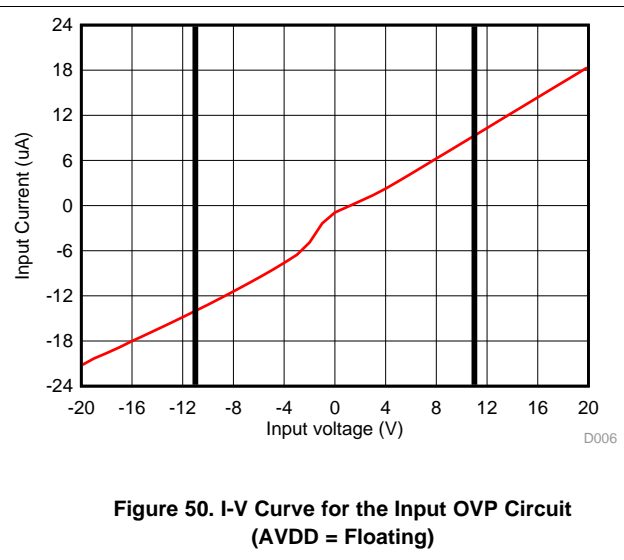
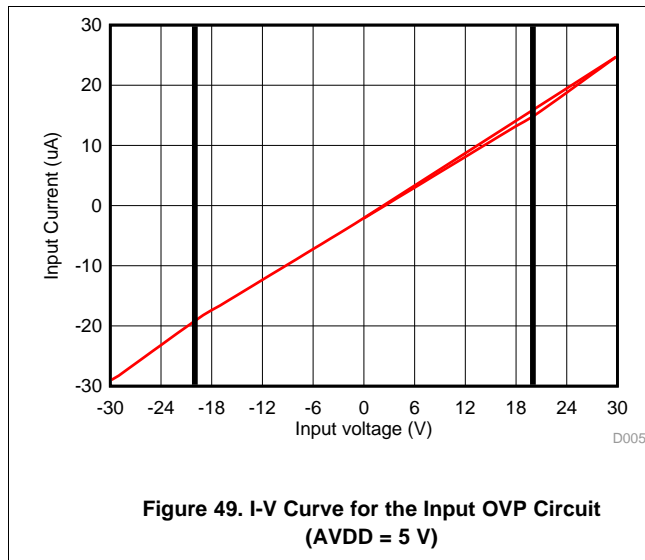
The same overvoltage protection circuit also provides protection to the device when the device is not powered on and AVDD is floating. This condition can arise when the input signals are applied before the ADC is fully powered on. The overvoltage protection limits for this condition are shown in [Table 2](#).

Table 2. Input Overvoltage Protection Limits When AVDD = Floating⁽¹⁾

INPUT CONDITION ($V_{OVP} = \pm 11 \text{ V}$)		TEST CONDITION	ADC OUTPUT	COMMENTS
CONDITION	RANGE			
$ V_{IN} < V_{OVP} $	Within overvoltage range	All input ranges	Invalid	Device is not functional but is protected internally by the OVP circuit.
$ V_{IN} > V_{OVP} $	Beyond overvoltage range	All input ranges	Invalid	This usage condition can cause irreversible damage to the device.

(1) AVDD = floating, GND = 0 V, AIN_GND = 0 V, $|V_{RANGE}|$ is the maximum input voltage for any selected input range, and $|V_{OVP}|$ is the break-down voltage for the internal OVP circuit. Assume that R_S is approximately 0Ω .

[Figure 50](#) shows the I-V response of the internal overvoltage protection circuit when the device is not powered on. According to this I-V response, the current flowing into the device input pin is limited by the $1\text{-M}\Omega$ input impedance. However, for voltages beyond $\pm 11 \text{ V}$, the internal node voltage surpasses the break-down voltage for internal transistors, thus setting the limit for overvoltage protection on the input pin.



7.3.4 Programmable Gain Amplifier (PGA)

The device features a programmable gain amplifier (PGA) as part of the analog signal-conditioning circuit that converts the original single-ended input signal into a fully-differential signal to drive the internal SAR ADC. The PGA also adjusts the common-mode level of the input signal before feeding it into the SAR ADC to ensure maximum usage of the ADC input dynamic range. Depending on the range of the input signal, the PGA gain can be adjusted by setting the RANGE_SEL[3:0] bits in the configuration register (see the [RANGE_SEL_REG register](#)). The default or power-on state for the RANGE_SEL[3:0] bits is 0000, corresponding to an input signal range of $\pm 3 \times V_{REF}$. [Table 3](#) lists the various configurations of the RANGE_SEL[3:0] bits for the different analog input voltage ranges.

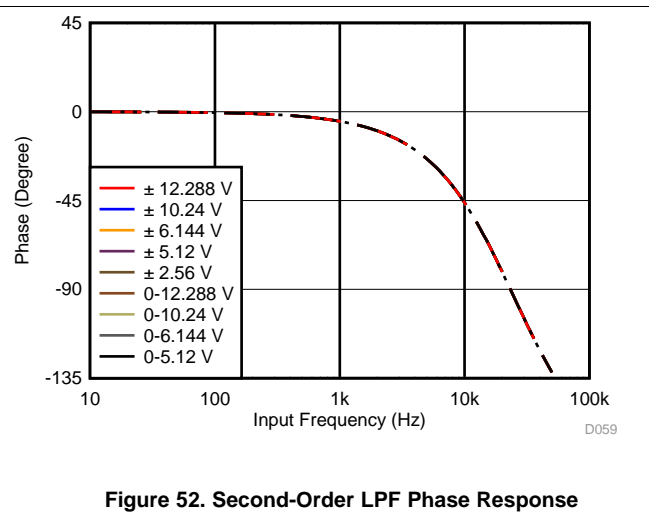
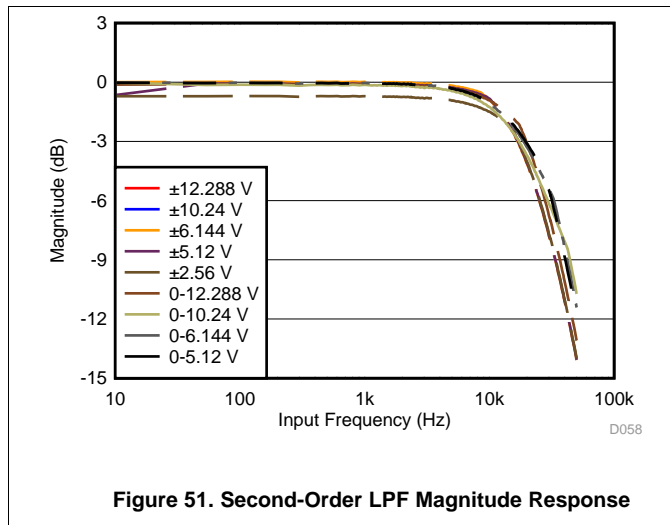
The PGA uses a precisely-matched network of resistors for multiple gain configurations. Matching between these resistors is accurately trimmed to keep the overall gain error low across all input ranges.

Table 3. Input Range Selection Bits Configuration

ANALOG INPUT RANGE	RANGE_SEL[3:0]			
	BIT 3	BIT 2	BIT 1	BIT 0
$\pm 3 \times V_{REF}$	0	0	0	0
$\pm 2.5 \times V_{REF}$	0	0	0	1
$\pm 1.5 \times V_{REF}$	0	0	1	0
$\pm 1.25 \times V_{REF}$	0	0	1	1
$\pm 0.625 \times V_{REF}$	0	1	0	0
$0-3 \times V_{REF}$	1	0	0	0
$0-2.5 \times V_{REF}$	1	0	0	1
$0-1.5 \times V_{REF}$	1	0	1	0
$0-1.25 \times V_{REF}$	1	0	1	1

7.3.5 Second-Order, Low-Pass Filter (LPF)

In order to mitigate the noise of the front-end amplifier and gain resistors of the PGA, the AFE circuit of the device features a second-order, antialiasing LPF at the output of the PGA. The magnitude and phase response of the analog antialiasing filter are shown in [Figure 51](#) and [Figure 52](#), respectively. For maximum performance, the -3 -dB cutoff frequency for the antialiasing filter is typically set to 15 kHz. The performance of the filter is consistent across all input ranges supported by the ADC.



7.3.6 ADC Driver

In order to meet the performance of the device at the maximum sampling rate, the sample-and-hold capacitors at the input of the ADC must be successfully charged and discharged during the acquisition time window. This drive requirement at the input of the ADC necessitates the use of a high-bandwidth, low-noise, and stable amplifier buffer. Such an input driver is integrated in the front-end signal path of the analog input channel of the device.

7.3.7 Reference

The device can operate with either an internal voltage reference or an external voltage reference using the internal buffer. The internal or external reference selection is determined by programming the INTREF_DIS bit of the [RANGE_SEL_REG register](#). The internal reference source is enabled (INTREF_DIS = 0) by default after reset or when the device powers up. The INTREF_DIS bit must be programmed to logic 1 to disable the internal reference source whenever an external reference source is used.

7.3.7.1 Internal Reference

The device features an internal reference source with a nominal output value of 4.096 V. In order to select the internal reference, the INTREF_DIS bit of the RANGE_SEL_REG register must be programmed to logic 0. When the internal reference is used, the REFIO pin becomes an output with the internal reference value. A 4.7- μ F (minimum) decoupling capacitor is recommended to be placed between the REFIO pin and REFGND, as shown in [Figure 53](#). The capacitor must be placed as close to the REFIO pin as possible. The output impedance of the internal band-gap circuit creates a low-pass filter with this capacitor to band-limit the noise of the reference. The use of a smaller capacitor value allows higher reference noise in the system that can potentially degrade SNR and SINAD performance. The REFIO pin must not be used to drive external ac or dc loads because of limited current output capability. The REFIO pin can be used as a source if followed by a suitable op amp buffer (such as the [OPA320](#)).

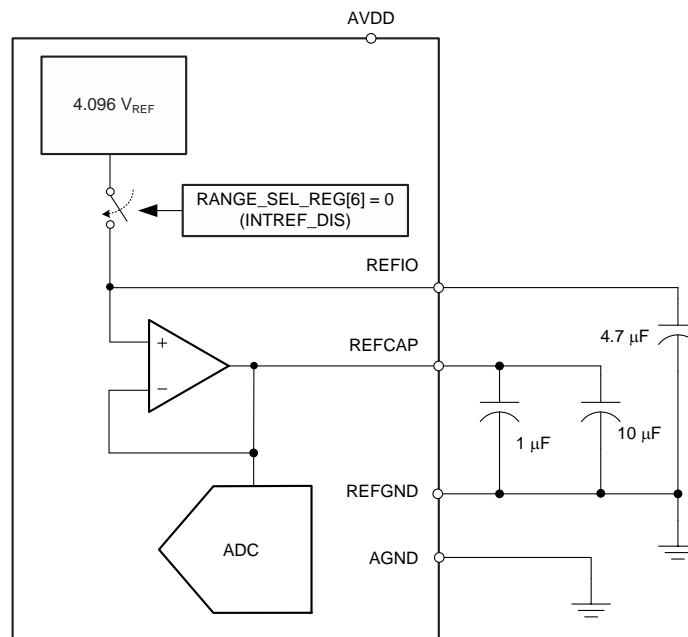


Figure 53. Device Connections for Using an Internal 4.096-V Reference

The device internal reference is factory-trimmed to ensure the initial accuracy specification. The histogram in Figure 54 shows the distribution of the internal voltage reference output taken from more than 3420 production devices.

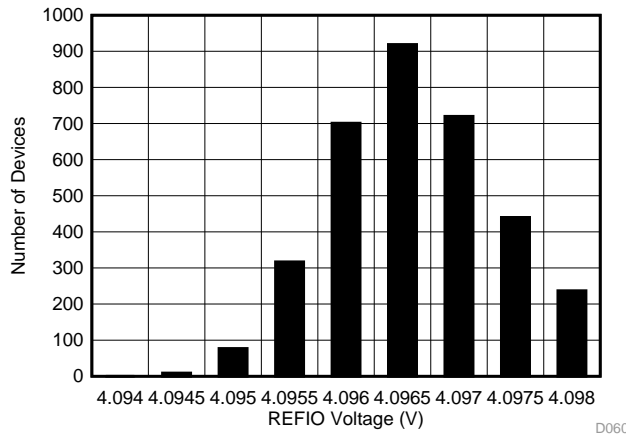


Figure 54. Internal Reference Accuracy Histogram at Room Temperature

The initial accuracy specification for the internal reference can be degraded if the die is exposed to any mechanical or thermal stress. Heating the device when being soldered to a printed circuit board (PCB) and any subsequent solder reflow is a primary cause for shifts in the V_{REF} value. The main cause of thermal hysteresis is a change in die stress and is therefore a function of the package, die-attach material, and molding compound, as well as the layout of the device itself.

In order to illustrate this effect, 30 devices were soldered using lead-free solder paste with the manufacturer suggested reflow profile, as explained in the [AN-2029 Handling & Process Recommendations application report](#). The internal voltage reference output is measured before and after the reflow process and the typical shift in value is shown in Figure 55. Although all tested units exhibit a positive shift in their output voltages, negative shifts are also possible. The histogram in Figure 55 shows the typical shift for exposure to a single reflow profile. Exposure to multiple reflows, which is common on PCBs with surface-mount components on both sides, causes additional shifts in the output voltage. If the PCB is to be exposed to multiple reflows, solder the ADS869x in the second pass to minimize device exposure to thermal stress.

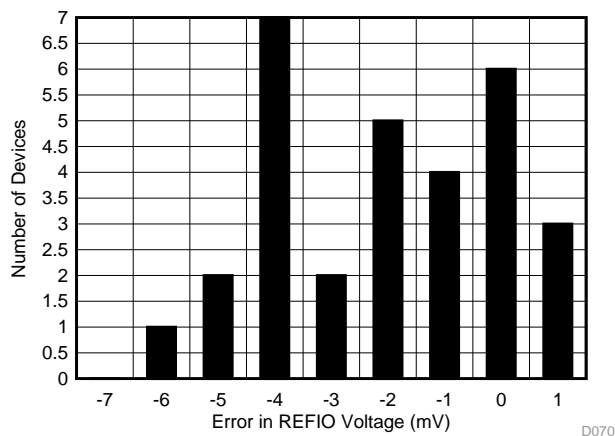
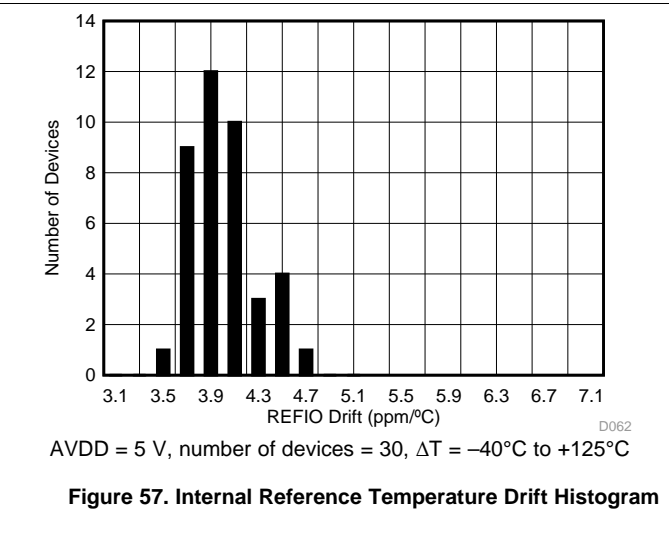
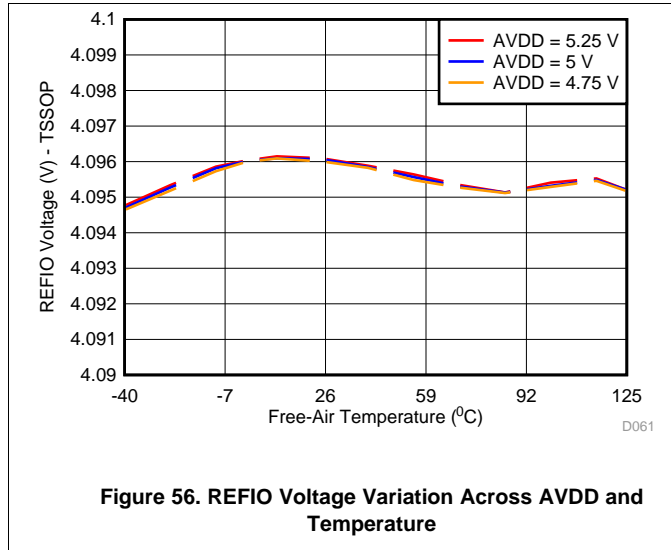


Figure 55. Solder Heat Shift Distribution Histogram

The internal reference is also temperature compensated to provide excellent temperature drift over an extended industrial temperature range of -40°C to $+125^{\circ}\text{C}$. Figure 56 shows the variation of the internal reference voltage across temperature for different values of the AVDD supply voltage. The temperature drift of the internal reference is also a function of the package type. Figure 57 shows histogram distribution of the reference voltage drift.



7.3.7.2 External Reference

For applications that require a better reference voltage or a common reference voltage for multiple devices, the device provides a provision to use an external reference source along with an internal buffer to drive the ADC reference pin. In order to select the external reference mode, the INTREF_DIS bit of the RANGE_SEL_REG register must be programmed to logic 1. In this mode, an external 4.096-V reference must be applied at the REFIO pin, which functions as an input. Any low-power, low-drift, or small-size external reference can be used in this mode because the internal buffer is optimally designed to handle the dynamic loading on the REFCAP pin that is internally connected to the ADC reference input. The output of the external reference must be appropriately filtered to minimize the resulting effect of the reference noise on system performance. A typical connection diagram for this mode is shown in Figure 58.

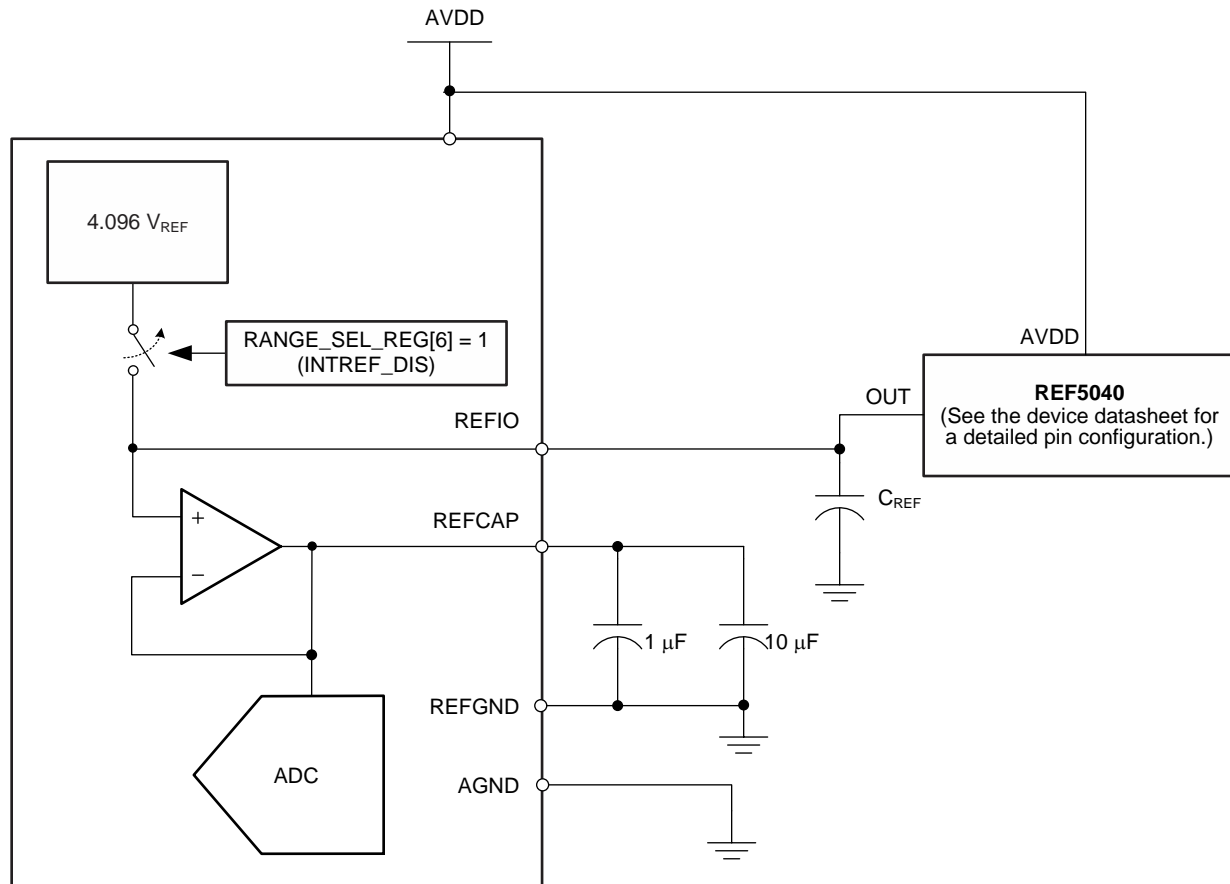
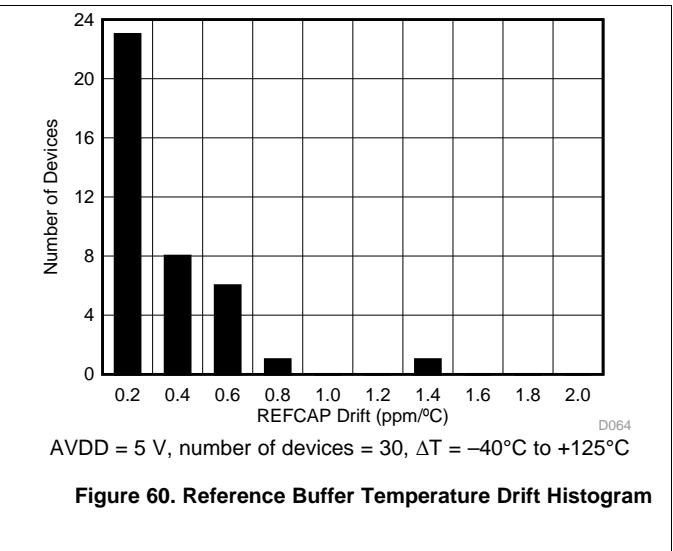
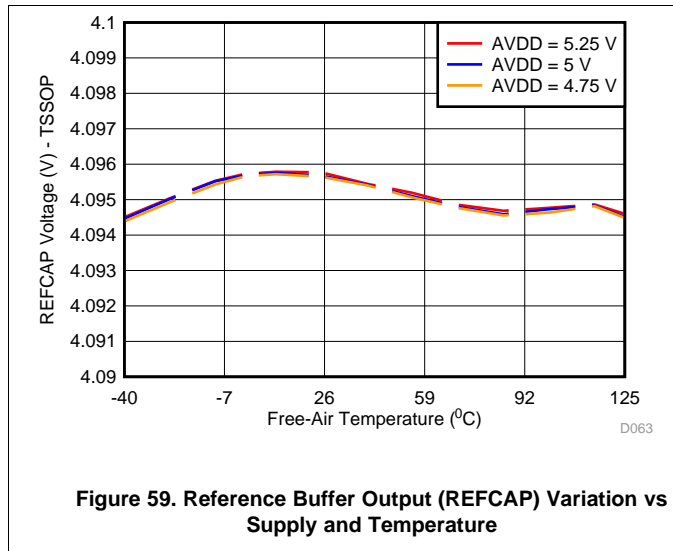


Figure 58. Device Connections for Using an External 4.096-V Reference

The output of the internal reference buffer appears at the REFCAP pin. A minimum capacitance of 10 µF must be placed between the REFCAP and REFGND pins. Place another capacitor of 1 µF as close to the REFCAP pin as possible for decoupling high-frequency signals. Do not use the internal buffer to drive external ac or dc loads because of the limited current output capability of this buffer.

The performance of the internal buffer output is very stable across the entire operating temperature range of -40°C to $+125^{\circ}\text{C}$. Figure 59 shows the variation in the REFCAP output across temperature for different values of the AVDD supply voltage. The typical specified value of the reference buffer drift over temperature is $0.5\text{ ppm}/^{\circ}\text{C}$, as shown in Figure 60, and the maximum specified temperature drift is equal to $2\text{ ppm}/^{\circ}\text{C}$.



7.3.8 ADC Transfer Function

The device supports a pseudo-differential input supporting both bipolar and unipolar input ranges. The output of the device is in straight-binary format for both bipolar and unipolar input ranges.

The ideal transfer characteristic for all input ranges is shown in Figure 61. The full-scale range (FSR) for each input signal is equal to the difference between the positive full-scale (PFS) input voltage and the negative full-scale (NFS) input voltage. The LSB size is equal to $FSR / 2^{18}$. For a reference voltage of $V_{REF} = 4.096$ V, the LSB values corresponding to the different input ranges are listed in Table 4.

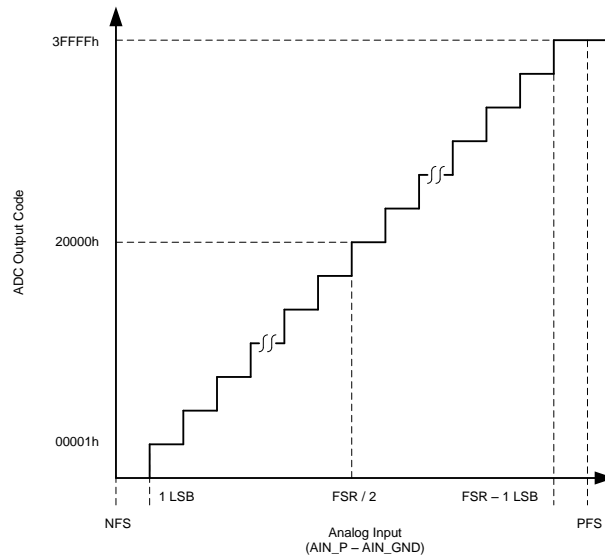


Figure 61. Device Transfer Function (Straight-Binary Format)

Table 4. ADC LSB Values for Different Input Ranges ($V_{REF} = 4.096$ V)

INPUT RANGE	POSITIVE FULL-SCALE (V)	NEGATIVE FULL-SCALE (V)	FULL-SCALE RANGE (V)	LSB
$\pm 3 \times V_{REF}$	12.288	-12.288	24.576	93.75 μ V
$\pm 2.5 \times V_{REF}$	10.24	-10.24	20.48	78.125 μ V
$\pm 1.5 \times V_{REF}$	6.144	-6.144	12.288	46.875 μ V
$\pm 1.25 \times V_{REF}$	5.12	-5.12	10.24	39.06 μ V
$\pm 0.625 \times V_{REF}$	2.56	-2.56	5.12	19.53 μ V
0 to $3 \times V_{REF}$	12.288	0	12.288	46.875 μ V
0 to $2.5 \times V_{REF}$	10.24	0	10.24	39.06 μ V
0 to $1.5 \times V_{REF}$	6.144	0	6.144	23.43 μ V
0 to $1.25 \times V_{REF}$	5.12	0	5.12	19.53 μ V

7.3.9 Alarm Features

The device features an active-high alarm output on the ALARM/SDO-1/GPO pin, provided that the pin is configured for alarm functionality. To enable the ALARM output on the multi-function pin, see the SDO1_CONFIG[1:0] bits of the SDO_CTL_REG register to 01b (see the [SDO_CTL_REG register](#)).

The device features two types of alarm functions: an input alarm and an AVDD alarm.

- For the input alarm, the voltage at the input of the ADC is monitored and compared against user-programmable high and low threshold values. The device sets an active high alarm output when the corresponding digital value of the input signal goes beyond the high or low threshold set by the user; see the [Input Alarm](#) section for a detailed explanation of the input alarm feature functionality.
- For the AVDD alarm, the analog supply voltage (AVDD) of the ADC is monitored and compared against the specified typical low threshold (4.7 V) and high threshold (5.3 V) values of the AVDD supply. The device sets an active high alarm output if the value of AVDD crosses the specified low (4.7 V) and high threshold (5.3 V) values in either direction.

When the alarm functionality is turned on, both the input and AVDD alarm functions are enabled by default. These alarm functions can be selectively disabled by programming the IN_AL_DIS and VDD_AL_DIS bits (respectively) of the [RST_PWRCTL_REG register](#).

Each alarm (input alarm or AVDD alarm) has two types of alarm flags associated with it: the *active* alarm flag and the *tripped* alarm flag. All the alarm flags can be read in the [ALARM_REG register](#). Both flags are set when the associated alarm is triggered. However while the active alarm is cleared at the end of the current ADC conversion (and set again if the alarm condition persists), the tripped flag is cleared only after ALARM_REG is read.

The ALARM output flags are updated internally at the end of every conversion. These output flags can be read during any data frame that the user initiates by bringing the CONVST/CS signal to a low level.

The ALARM output flags can be read in three different ways: either via the ALARM output pin, by reading the internal ALARM registers, or by appending the ALARM flags to the data output.

- A high level on the ALARM pin indicates an over- or undervoltage condition on AVDD or on the analog input channel of the device. This pin can be wired to interrupt the host input.
- The internal ALARM flag bits in the [ALARM_REG register](#) are updated at the end of conversion. After receiving an ALARM interrupt on the output pin, the internal alarm flag registers can be read to obtain more details on the conditions that generated the alarm.
- The alarm output flags can be selectively appended to the data output bit stream (see the [DATAOUT_CTL_REG register](#) for configuration details).

Figure 62 shows a functional block diagram for the device alarm functionality.

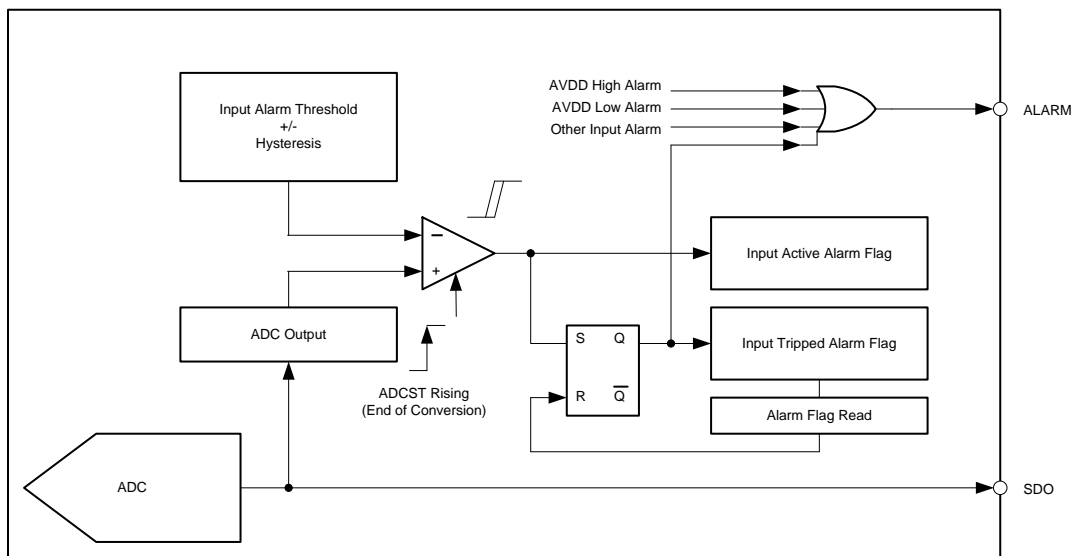


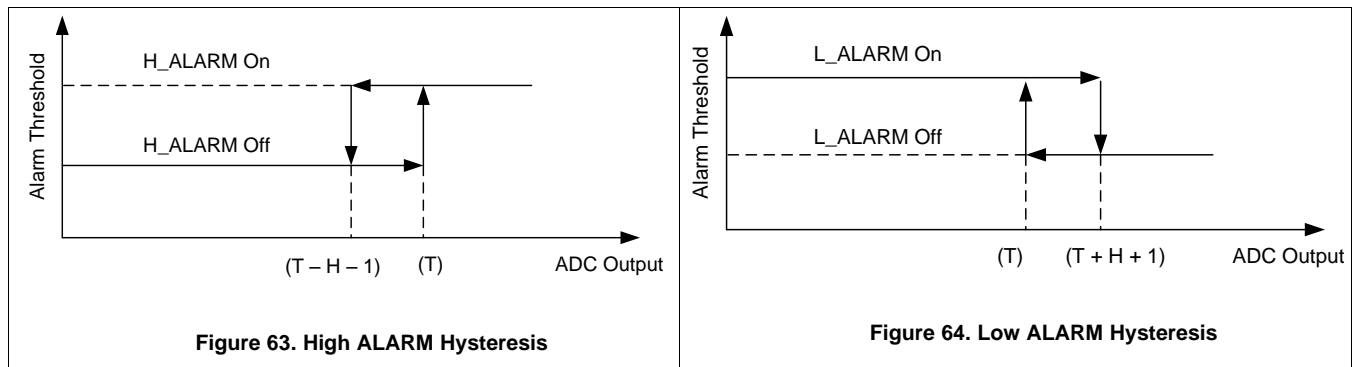
Figure 62. Alarm Functionality Schematic

7.3.9.1 Input Alarm

The device features a high and a low alarm on the analog input. The alarms corresponding to the input signal have independently-programmable thresholds and a common hysteresis setting that can be controlled through the [ALARM_H_TH_REG](#) and [ALARM_L_TH_REG](#) registers.

The device sets the input high alarm when the digital output exceeds the high alarm upper limit [high alarm threshold (T)]. The alarm resets when the digital output is less than or equal to the high alarm lower limit [high alarm (T) – H – 1]. This function is shown in [Figure 63](#).

Similarly, the input low alarm is triggered when the digital output falls below the low alarm lower limit [low alarm threshold (T)]. The alarm resets when the digital output is greater than or equal to the low alarm higher limit [low alarm (T) + H + 1]. This function is shown in [Figure 64](#).



7.3.9.2 AVDD Alarm

The device features a high and a low alarm on the analog voltage supply, AVDD. Unlike the input signal alarm, the AVDD alarm has fixed trip points that are set by design. The device features an internal analog comparator that constantly monitors the analog supply against the high and low threshold voltages. The high alarm is set if AVDD exceeds a typical value of 5.3 V and the low alarm is asserted if AVDD drops below 4.7 V. This feature is specially useful for debugging unusual device behavior caused by a glitch or brown-out condition on the analog AVDD supply.

7.4 Device Functional Modes

The device features the multiSPI digital interface for communication and data transfer between the device and the host controller. The multiSPI interface supports many data transfer protocols that the host uses to exchange data and commands with the device. The host can transfer data into the device using one of the standard SPI modes. However, the device can be configured to output data in a number of ways to suit the application demands of throughput and latency. The data output in these modes can be controlled either by the host or the device, and the timing can either be system synchronous or source synchronous. For detailed explanation of the supported data transfer protocols, see the [Data Transfer Protocols](#) section.

This section describes the main components of the digital interface module as well as supported configurations and protocols. As shown in [Figure 65](#), the interface module is comprised of shift registers (both input and output), configuration registers, and a protocol unit. During any particular data frame, data are transferred both into and out of the device. As a result, the host always perceives the device as a 32-bit input-output shift register, as shown in [Figure 65](#).

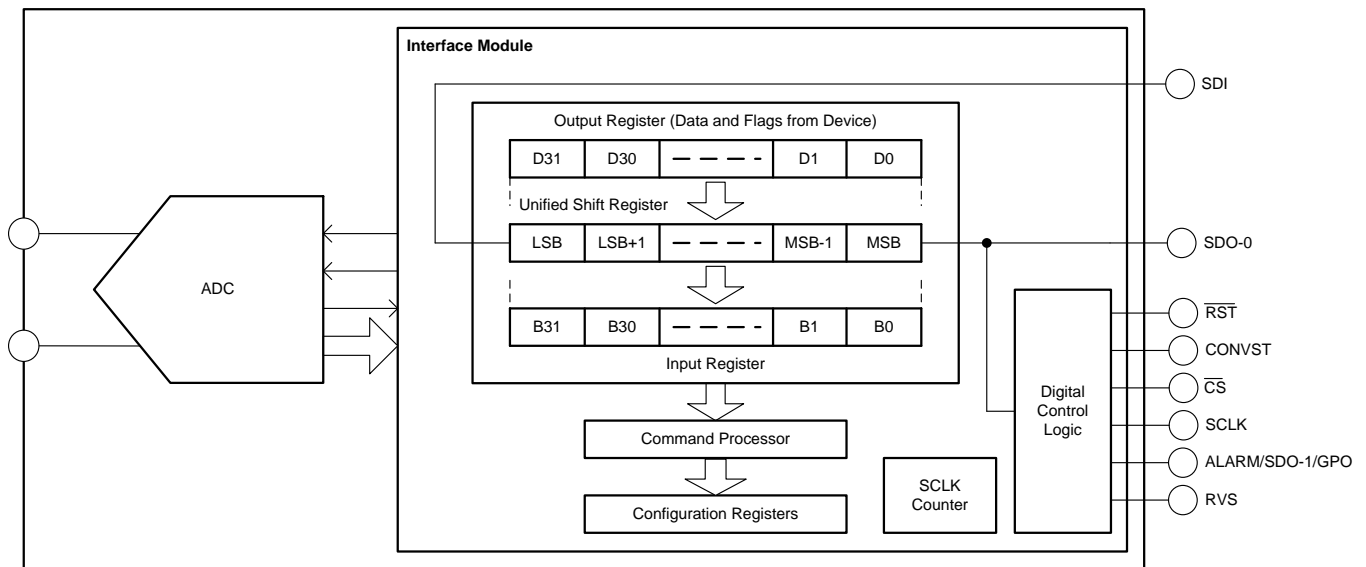


Figure 65. Device Interface Module

The [Pin Configuration and Functions](#) section provides descriptions of the interface pins; the [Data Transfer Frame](#) section details the functions of shift registers, the SCLK counter, and the command processor; the [Data Transfer Protocols](#) section details supported protocols; and the [Register Maps](#) section explains the configuration registers and bit settings.

Device Functional Modes (continued)

7.4.1 Host-to-Device Connection Topologies

The multiSPI interface and device configuration registers offer great flexibility in the ways a host controller can exchange data or commands with the device. This section describes how to select the hardware connection topology to meet different system requirements.

7.4.1.1 Single Device: All multiSPI Options

Figure 66 shows the pin connection between a host controller and a stand-alone device to exercise all options provided by the multiSPI interface.

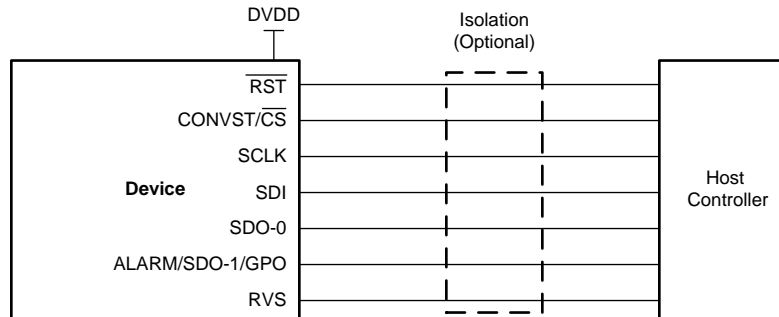


Figure 66. All multiSPI Protocols Pin Configuration

7.4.1.2 Single Device: Standard SPI Interface

Figure 67 shows the minimum pin interface for applications using a standard SPI protocol.

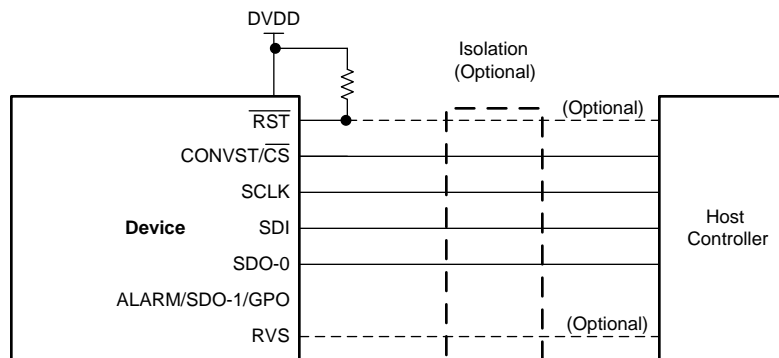


Figure 67. Standard SPI Protocol Pin Configuration

The CONVST/CS, SCLK, SDI, and SDO-0 pins constitute a standard SPI port of the host controller. The RST pin can be tied to DVDD. The RVS pin can be monitored for timing benefits. The ALARM/SDO-1/GPO pin may not have any external connection.

Device Functional Modes (continued)

7.4.1.3 Multiple Devices: Daisy-Chain Topology

A typical connection diagram showing multiple devices in a daisy-chain topology is shown in [Figure 68](#).

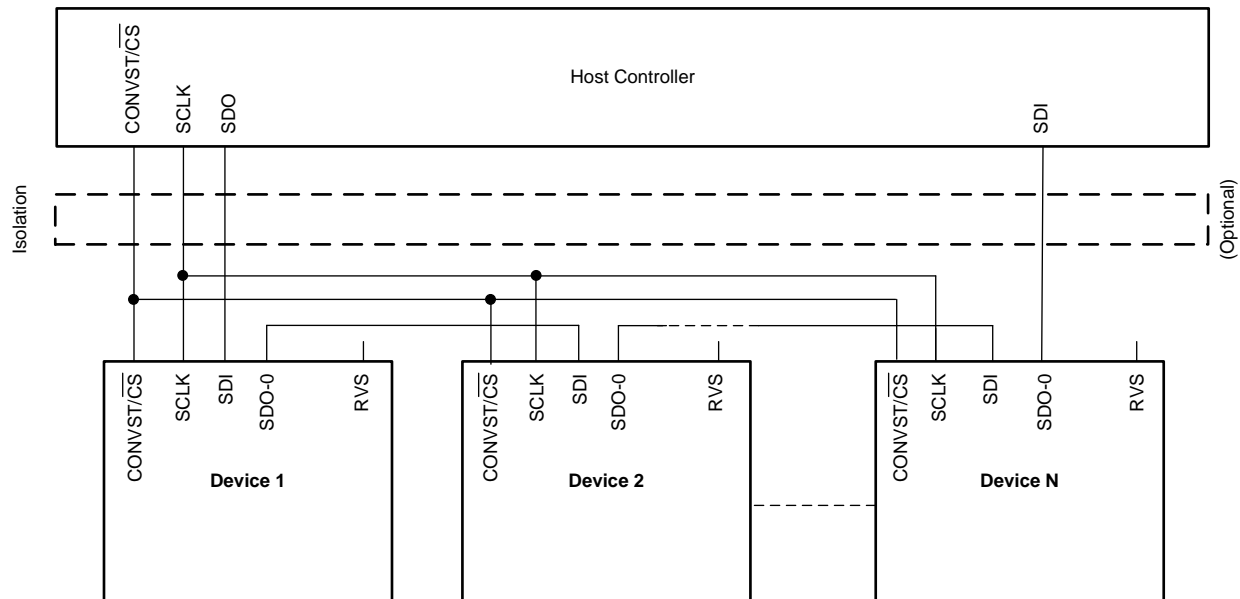


Figure 68. Daisy-Chain Connection Schematic

The $\overline{\text{CONVST/CS}}$ and SCLK inputs of all devices are connected together and controlled by a single $\overline{\text{CONVST/CS}}$ and SCLK pin of the host controller, respectively. The SDI input pin of the first device in the chain (device 1) is connected to the SDO-x pin of the host controller, the SDO-0 output pin of device 1 is connected to the SDI input pin of device 2, and so forth. The SDO-0 output pin of the last device in the chain (device N) is connected to the SDI pin of the host controller.

To operate multiple devices in a daisy-chain topology, the host controller must program the configuration registers in each device with identical values. The devices must operate with a single SDO-0 output, using the external clock with any of the legacy, SPI-compatible protocols for data read and data write operations. In the [SDO_CTL_REG register](#), bits 7-0 must be programmed to 00h.

All devices in the daisy-chain topology sample their analog input signals on the rising edge of the $\overline{\text{CONVST/CS}}$ signal and the data transfer frame starts with a falling edge of the same signal. At the launch edge of the SCLK signal, every device in the chain shifts out the MSB to the SDO-0 pin. On every SCLK capture edge, each device in the chain shifts in data received on its SDI pin as the LSB bit of the unified shift register; see [Figure 65](#). Therefore, in a daisy-chain configuration, the host controller receives the data of device N, followed by the data of device N-1, and so forth (in MSB-first fashion). On the rising edge of the $\overline{\text{CONVST/CS}}$ signal, each device decodes the contents in its unified and takes appropriate action.

For N devices connected in a daisy-chain topology, an optimal data transfer frame must contain $32 \times N$ SCLK capture edges (see [Figure 69](#)). A shorter data transfer frame can result in an erroneous device configuration and must be avoided. For a data transfer frame with $> 32 \times N$ SCLK capture edges, the host controller must appropriately align the configuration data for each device before bringing $\overline{\text{CONVST/CS}}$ high.

The overall throughput of the system is proportionally reduced with the number of devices connected in a daisy-chain topology.

Device Functional Modes (continued)

A typical timing diagram for three devices connected in a daisy-chain topology and using the SPI-00-S protocol is shown in Figure 69.

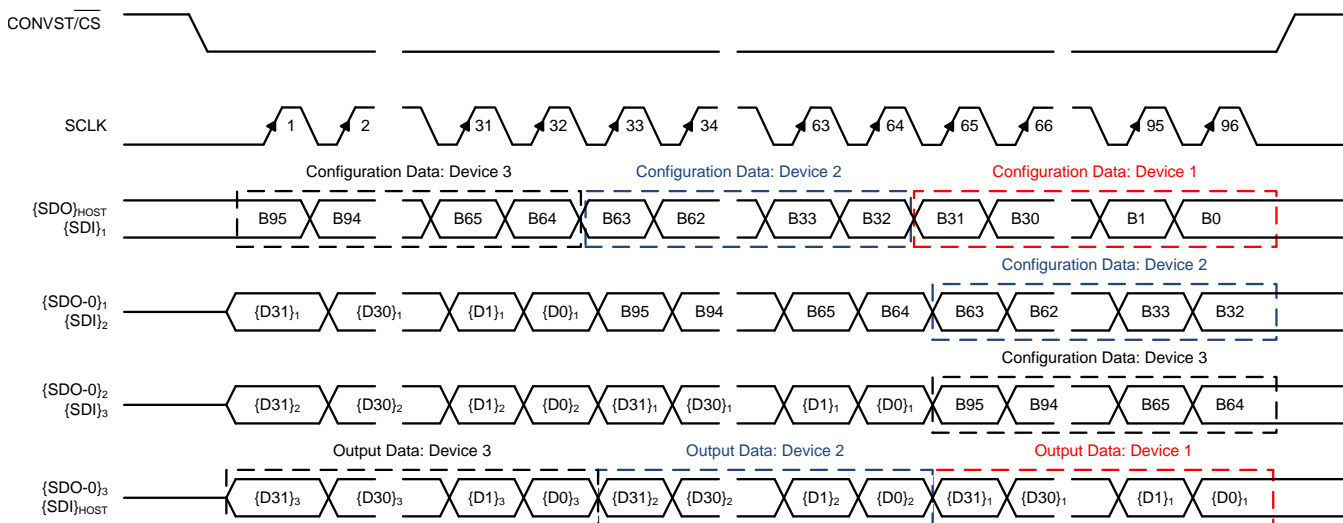


Figure 69. Three Devices in Daisy-Chain Mode Timing Diagram

7.4.2 Device Operational Modes

As shown in Figure 70, the device supports three functional states: RESET, ACQ, and CONV. The device state is determined by the status of the CONVST/CS and RST control signals provided by the host controller.

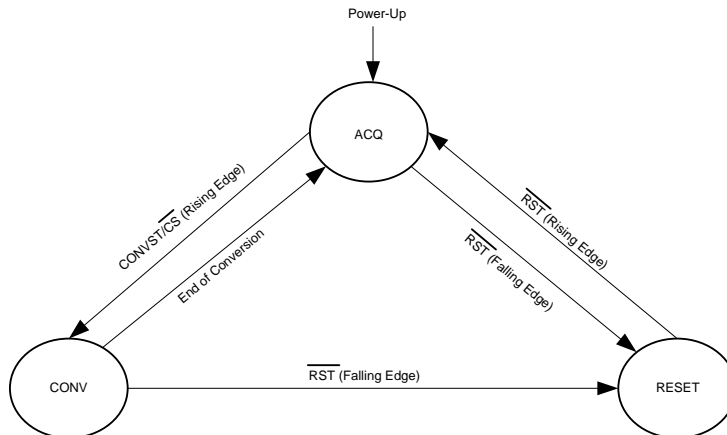


Figure 70. Device Functional States

Device Functional Modes (continued)

7.4.2.1 RESET State

The device features an active-low $\overline{\text{RST}}$ pin that is an asynchronous digital input. In order to enter a RESET state, the $\overline{\text{RST}}$ pin must be pulled low and kept low for the $t_{\text{wl_RST}}$ duration (as specified in the [Timing Requirements: Asynchronous Reset](#) table).

The device features two different types of reset functions: an application reset or a power-on reset (POR). The functionality of the $\overline{\text{RST}}$ pin is determined by the state of the RSTn_APP bit in the [RST_PWRCTL_REG register](#).

- In order to configure the $\overline{\text{RST}}$ pin to issue an application reset, the RSTn_APP bit in the [RST_PWRCTL_REG register](#) must be configured to 1b. In this RESET state, all configuration registers (see the [Register Maps](#) section) are reset to their default values, the RVS pins remain low, and the SDO-x pins are tri-stated.
- The default configuration for the $\overline{\text{RST}}$ pin is to issue a power-on reset when pulled to a low level. The RSTn_APP bit is set to 0b in this state. When a POR is issued, all internal circuitry of the device (including the PGA, ADC driver, and voltage reference) are reset. When the device comes out of the POR state, the $t_{\text{D_RST_POR}}$ time duration must be allowed for (see the [Timing Requirements: Asynchronous Reset](#) table) in order for the internal circuitry to accurately settle.

In order to exit any of the RESET states, the $\overline{\text{RST}}$ pin must be pulled high with $\overline{\text{CONVST/CS}}$ and SCLK held low. After a delay of $t_{\text{D_RST_POR}}$ or $t_{\text{D_RST_APP}}$ (see the [Timing Requirements: Asynchronous Reset](#) table), the device enters ACQ state and the RVS pin goes high.

To operate the device in any of the other two states (ACQ or CONV), the $\overline{\text{RST}}$ pin must be held high. With the $\overline{\text{RST}}$ pin held high, transitions on the $\overline{\text{CONVST/CS}}$ pin determine the functional state of the device. A typical conversion cycle is illustrated in [Figure 1](#).

7.4.2.2 ACQ State

In ACQ state, the device acquires the analog input signal. The device enters ACQ state on power-up, after any asynchronous reset, or after the end of every conversion.

The falling edge of the $\overline{\text{RST}}$ falling edge takes the device from an ACQ state to a RESET state. A rising edge of the $\overline{\text{CONVST/CS}}$ signal takes the device from ACQ state to a CONV state.

The device offers a low-power NAP mode to reduce power consumption in the ACQ state; see the [NAP Mode](#) section for more details on NAP mode.

7.4.2.3 CONV State

The device moves from ACQ state to CONV state on the rising edge of the $\overline{\text{CONVST/CS}}$ signal. The conversion process uses an internal clock and the device ignores any further transitions on the $\overline{\text{CONVST/CS}}$ signal until the ongoing conversion is complete (that is, during the time interval of t_{conv}).

At the end of conversion, the device enters ACQ state. The cycle time for the device is given by [Equation 1](#):

$$t_{\text{cycle-min}} = t_{\text{conv}} + t_{\text{acq-min}} \quad (1)$$

NOTE

The conversion time, t_{conv} , can vary within the specified limits of $t_{\text{conv_min}}$ and $t_{\text{conv_max}}$ (as specified in the [Timing Requirements: Conversion Cycle](#) table). After initiating a conversion, the host controller must monitor for a low-to-high transition on the RVS pin or wait for the $t_{\text{conv_max}}$ duration to elapse before initiating a new operation (data transfer or conversion). If RVS is not monitored, substitute t_{conv} in [Equation 1](#) with $t_{\text{conv_max}}$.

7.5 Programming

The device features nine configuration registers (as described in the [Register Maps](#) section) and supports two types of data transfer operations: data write (the host configures the device), and data read (the host reads data from the device).

7.5.1 Data Transfer Frame

A data transfer frame between the device and the host controller begins at the falling edge of the CONVST/ $\overline{\text{CS}}$ pin and ends when the device starts conversion at the subsequent rising edge. The host controller can initiate a data transfer frame by bringing the CONVST/ $\overline{\text{CS}}$ signal low (as shown in [Figure 71](#)) after the end of the CONV phase, as described in the [CONV State](#) section.

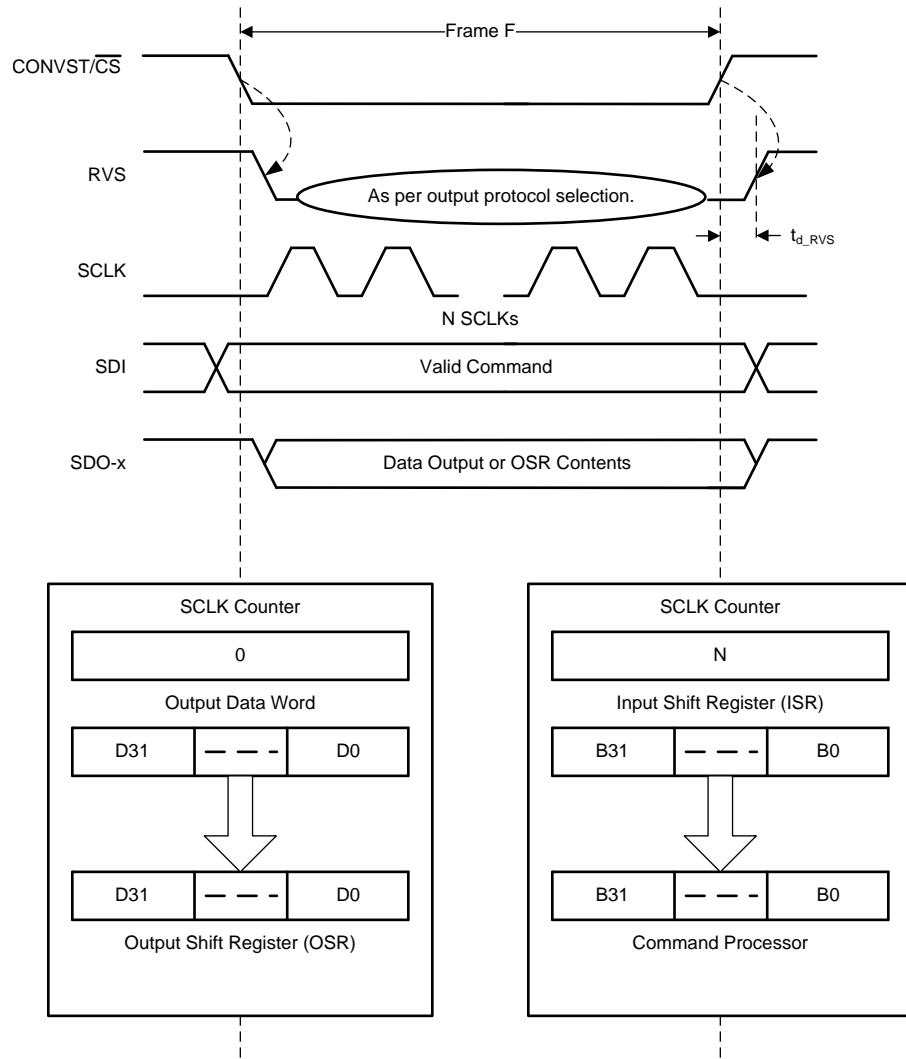


Figure 71. Data Transfer Frame

Programming (continued)

For a typical data transfer frame F:

1. The host controller pulls CONVST/ $\overline{\text{CS}}$ low to initiate a data transfer frame. On the falling edge of the CONVST/ $\overline{\text{CS}}$ signal:
 - RVS goes low, indicating the beginning of the data transfer frame.
 - The internal SCLK counter is reset to 0.
 - The device takes control of the data bus. As illustrated in [Figure 71](#), the contents of the output data word are loaded into the 32-bit output shift register (OSR).
 - The internal configuration register is reset to 0000h, corresponding to a NOP command.
2. During the frame, the host controller provides clocks on the SCLK pin:
 - On each SCLK capture edge, the SCLK counter is incremented and the data bit received on the SDI pin is shifted into the LSB of the input shift register.
 - On each launch edge of the output clock (SCLK in this case), the MSB of the output shift register data is shifted out on the selected SDO-x pins.
 - The status of the RVS pin depends on the output protocol selection (see the [Protocols for Reading From the Device](#) section).
3. The host controller pulls the CONVST/ $\overline{\text{CS}}$ pin high to end the data transfer frame. On the rising edge of CONVST/ $\overline{\text{CS}}$:
 - The SDO-x pins go to tri-state.
 - As illustrated in [Figure 71](#), the contents of the input shift register are transferred to the command processor for decoding and further action.
 - RVS output goes low, indicating the beginning of conversion.

After pulling CONVST/ $\overline{\text{CS}}$ high, the host controller must monitor for a low-to-high transition on the RVS pin or wait for the $t_{\text{conv_max}}$ time (see the [Timing Requirements: Conversion Cycle](#) table) to elapse before initiating a new data transfer frame.

At the end of the data transfer frame F:

- If the SCLK counter = 32, then the device treats the frame F as an *optimal* data transfer frame for any read or write operation. At the end of an optimal data transfer frame, the command processor treats the 32-bit contents of the input shift register as a valid command word.
- If the SCLK counter is < 32, then the device treats the frame F as a *short* data transfer frame.
 - The data write operation to the device is invalid and the device treats this frame as an NOP command.
 - The output data bits transferred during a short frame on the SDO-x pins are still valid data. The host controller can use the short data transfer frame to read only the required number of MSB bits from the 32-bit output shift register.
- If the SCLK counter is > 32, then the device treats the frame F as a *long* data transfer frame. At the end of a long data transfer frame, the command processor treats the 32-bit contents of the input shift register as a valid command word. There is no restriction on the maximum number of clocks that can be provided within any data transfer frame F. However, when the host controller provides a long data transfer frame, the last 32 bits shifted into the device prior to the CONVST/ $\overline{\text{CS}}$ rising edge must constitute the desired command.

Programming (continued)

7.5.2 Input Command Word and Register Write Operation

Any data write operation to the device is always synchronous to the external clock provided on the SCLK pin.

The device allows either one byte or two bytes (equivalent to half a word) to be read or written during any device programming operation. [Table 5](#) lists the input commands supported by the device. The input commands associated with reading or writing two bytes in a single operation are suffixed as *HWORD*.

For any *HWORD* command, the LSB of the 9-bit address is always ignored and considered as 0b. For example, regardless whether address 04h or 05h is entered for any particular *HWORD* command, the device always exercises the command on address 04h.

Table 5. List of Input Commands

OPCODE B[31:0]	COMMAND ACRONYM	COMMAND DESCRIPTION
00000000_000000000_00000000_00000000	NOP	No operation
11000_xx_<9-bit address>_<16-bit data> ⁽¹⁾	CLEAR_HWORD	<ul style="list-style-type: none"> Command used to clear any (or a group of) bits of a register. Any bit marked 1 in the data field results in that particular bit of the specified register being reset to 0, leaving the other bits unchanged. Half-word command (that is, the command functions on 16 bits at a time). LSB of the 9-bit address is always ignored and considered as 0b.⁽²⁾
11001_xx_<9-bit address>_00000000_00000000	READ_HWORD	<ul style="list-style-type: none"> Command used to perform a 16-bit read operation. Half-word command (that is, the device outputs 16 bits of register data at a time). LSB of the 9-bit address is always ignored and considered as 0b. Upon receiving this command, the device sends out 16 bits of the register in the next frame.
01001_xx_<9-bit address>_00000000_00000000	READ	<ul style="list-style-type: none"> Same as the READ_HWORD except that only eight bits of the register (byte read) are returned in the next frame.
11010_00_<9-bit address>_<16-bit data>	WRITE	<ul style="list-style-type: none"> Half-word write command (two bytes of input data are written into the specified address). LSB of the 9-bit address is always ignored and considered as 0b.
11010_01_<9-bit address>_<16-bit data>		<ul style="list-style-type: none"> Half-word write command. LSB of the 9-bit address is always ignored and considered as 0b. With this command, only the MS byte of the 16-bit data word is written at the specified register address. The LS byte is ignored.
11010_10_<9-bit address>_<16-bit data>		<ul style="list-style-type: none"> Half-word write command. LSB of the 9-bit address is always ignored and considered as 0b. With this command, only the LS byte of the 16-bit data word is written at the specified register address. The MS byte is ignored.
11011_xx_<9-bit address>_<16-bit data>	SET_HWORD	<ul style="list-style-type: none"> Command used to set any (or a group of) bits of a register. Any bit marked 1 in the data field results in that particular bit of the specified register being set to 1, leaving the other bits unchanged. Half-word command (that is, the command functions on 16 bits at a time). LSB of the 9-bit address is always ignored and considered as 0b.
All other input command combinations	NOP	No operation

(1) <9-bit address> is realized by adding a 0 at the MSB location followed by an 8-bit register address as defined in [Table 10](#). The <9-bit address> for register 0x04h is 0x0-0000-0100b.

(2) An *HWORD* command operates on a set of 16 bits in the register map that is usually identified as two registers of eight bits each. For example, the command 11000_xx_<0_0000_0101><16-bit data> is treated the same as the command 11000_xx_<0_0000_0100><16-bit data> for bits 15:0 of the RST_PWRCTL_REG register.

All input commands (including the CLEAR_HWORD, WRITE, and SET_HWORD commands listed in [Table 5](#)) used to configure the internal registers must be 32 bits long. If any of these commands are provided in a particular data frame F, that command gets executed at the rising edge of the CONVST/CS signal.

7.5.3 Output Data Word

The data read from the device can be synchronized to the external clock on the SCLK pin or to an internal clock of the device by programming the configuration registers (see the [Data Transfer Protocols](#) section for details).

In any data transfer frame, the contents of the internal output shift register are shifted out on the SDO-x pins. The output data for any frame (F+1) is determined by the command issued in frame F and the status of DATA_VAL[2:0] bits:

- If DATA_VAL[2:0] bits in [DATAOUT_CTL_REG register](#) are set to 1xxb, then the output data word for frame (F+1) contains fixed data pattern as described in the [DATAOUT_CTL_REG register](#).
- If a valid READ command is issued in frame F, the output data word for frame (F+1) contains 8-bit register data, followed by 0's.
- If a valid READ_HWORD command is issued in frame F, the output data word for frame (F+1) contains 16-bit register data, followed by 0's.
- For all other combinations, the output data word for frame (F+1) contains the latest 18-bit conversion result. Program the [DATAOUT_CTL_REG register](#) to append various data flags to the conversion result. The data flags are appended as per following sequence:
 1. DEVICE_ADDR[3:0] bits are appended if the DEVICE_ADDR_INCL bit is set to 1
 2. AVDD ALARM FLAGS are appended if the VDD_ACTIVE_ALARM_INCL bit is set to 1
 3. INPUT ALARM FLAGS are appended if the IN_ACTIVE_ALARM_INCL bit is set to 1
 4. ADC INPUT RANGE FLAGS are appended if the RANGE_INCL bit is set to 1
 5. PARITY bits are appended if the PAR_EN bit is set to 1
 6. All the remaining bits in the 32-bit output data word are set to 0.

[Table 6](#) shows the output data word with all data flags enabled.

Table 6. Output Data Word With All Data Flags Enabled

DEVICE_ADDR_INCL = 1b, VDD_ACTIVE_ALARM_INCL = 1b, IN_ACTIVE_ALARM_INCL = 1b, RANGE_INCL = 1b, and PAR_EN = 1b						
D[31:14]	D[13:10]	D[9:8]	D[7:6]	D[5:2]	D[1:0]	No trailing 0's
Conversion result	Device address	AVDD alarm flags	Input alarm flags	ADC input range	Parity bits	No trailing 0's

[Table 7](#) shows output data word with only some of the data flags enabled.

Table 7. Output Data Word With Only Some Data Flags Enabled

DEVICE_ADDR_INCL = 0b, VDD_ACTIVE_ALARM_INCL = 1b, IN_ACTIVE_ALARM_INCL = 0b, RANGE_INCL = 1b, and PAR_EN = 1b				
D[31:14]	D[13:12]	D[11:8]	D[7:6]	D[5:0]
Conversion result	AVDD alarm flags	ADC input range	Parity bits	000000b

7.5.4 Data Transfer Protocols

The device features a multiSPI interface that allows the host controller to operate at slower SCLK speeds and still achieve the required cycle time with a faster response time.

- For any data write operation, the host controller can use any of the four legacy, SPI-compatible protocols to configure the device, as described in the [Protocols for Configuring the Device](#) section.
- For any data read operation from the device, the multiSPI interface module offers the following options:
 - Legacy, SPI-compatible protocol with a single SDO-x (see the [Legacy, SPI-Compatible \(SYS-xy-S\) Protocols with a Single SDO-x](#) section)
 - Legacy, SPI-compatible protocol with dual SDO-x (see the [Legacy, SPI-Compatible \(SYS-xy-S\) Protocols with Dual SDO-x](#) section)
 - ADC master clock or source-synchronous (SRC) protocol for data transfer (see the [Source-Synchronous \(SRC\) Protocols](#) section)

7.5.4.1 Protocols for Configuring the Device

As described in [Table 8](#), the host controller can use any of the four legacy, SPI-compatible protocols (SPI-00-S, SPI-01-S, SPI-10-S, or SPI-11-S) to write data into the device.

Table 8. SPI Protocols for Configuring the Device

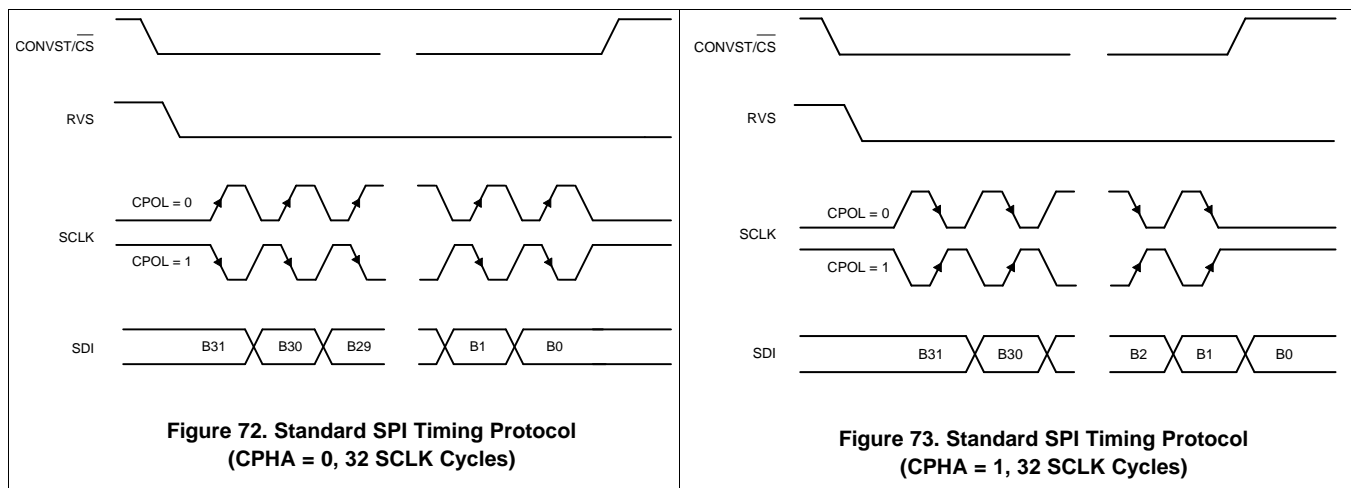
PROTOCOL	SCLK POLARITY (At CS Falling Edge)	SCLK PHASE (Capture Edge)	SDI_CTL_REG	SDO_CTL_REG	DIAGRAM
SPI-00-S	Low	Rising	00h	00h	Figure 72
SPI-01-S	Low	Falling	01h	00h	Figure 72
SPI-10-S	High	Falling	02h	00h	Figure 73
SPI-11-S	High	Rising	03h	00h	Figure 73

On power-up or after coming out of any asynchronous reset, the device supports the SPI-00-S protocol for data read and data write operations. To select a different SPI-compatible protocol, program the SDI_MODE[1:0] bits in the [SDI_CTL_REG](#) register. This first write operation must adhere to the SPI-00-S protocol. Any subsequent data transfer frames must adhere to the newly-selected protocol. The SPI protocol selected by the configuration of the SDI_MODE[1:0] is applicable to both read and write operations.

[Figure 72](#) and [Figure 73](#) detail the four protocols using an optimal data frame; see the [Timing Requirements: SPI-Compatible Serial Interface](#) table for associated timing parameters.

NOTE

As explained in the [Data Transfer Frame](#) section, a valid write operation to the device requires a minimum of 32 SCLKs to be provided within a data transfer frame.



7.5.4.2 Protocols for Reading From the Device

The protocols for the data read operation can be broadly classified into three categories:

1. Legacy, SPI-compatible protocols with a single SDO-x
2. Legacy, SPI-compatible protocols with dual SDO-x
3. ADC master clock or source-synchronous (SRC) protocol for data transfer

7.5.4.2.1 Legacy, SPI-Compatible (SYS-xy-S) Protocols with a Single SDO-x

As shown in [Table 9](#), the host controller can use any of the four legacy, SPI-compatible protocols (SPI-00-S, SPI-01-S, SPI-10-S, or SPI-11-S) to read data from the device.

Table 9. SPI Protocols for Reading From the Device

PROTOCOL	SCLK POLARITY (At CS Falling Edge)	SCLK PHASE (Capture Edge)	MSB BIT LAUNCH EDGE	SDI_CTL_REG	SDO_CTL_REG	DIAGRAM
SPI-00-S	Low	Rising	\overline{CS} falling	00h	00h	Figure 74
SPI-01-S	Low	Falling	1st SCLK rising	01h	00h	Figure 74
SPI-10-S	High	Falling	\overline{CS} falling	02h	00h	Figure 75
SPI-11-S	High	Rising	1st SCLK falling	03h	00h	Figure 75

On power-up or after coming out of any asynchronous reset, the device supports the SPI-00-S protocol for data read and data write operations. To select a different SPI-compatible protocol for both the data transfer operations:

1. Program the SDI_MODE[1:0] bits in the [SDI_CTL_REG register](#). This first write operation must adhere to the SPI-00-S protocol. Any subsequent data transfer frames must adhere to the newly-selected protocol.
2. Set the SDO_MODE[1:0] bits = 00b in the [SDO_CTL_REG register](#).

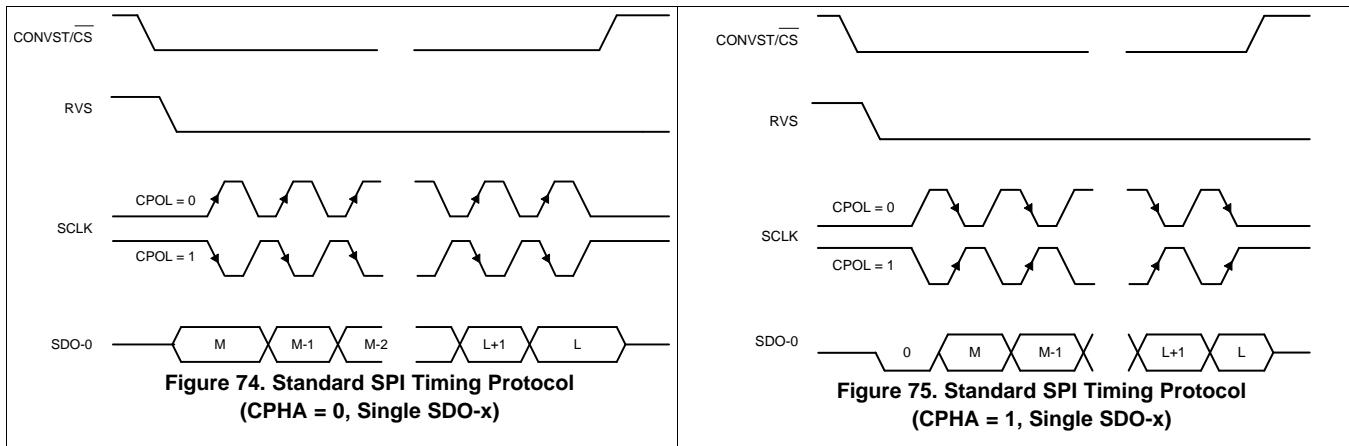
NOTE

The SPI transfer protocol selected by configuring the SDI_MODE[1:0] bits in the [SDI_CTL_REG register](#) determines the data transfer protocol for both write and read operations. Either data can be read from the device using the selected SPI protocol by configuring the SDO_MODE[1:0] bits = 00b in the [SDO_CTL_REG register](#), or one of the SRC protocols can be selected for data read, as explained in the [Source-Synchronous \(SRC\) Protocols](#) section.

When using any of the SPI-compatible protocols, the RVS output remains low throughout the data transfer frame; see the [Timing Requirements: SPI-Compatible Serial Interface](#) table for associated timing parameters.

[Figure 74](#) and [Figure 75](#) explain the details of the four protocols. As explained in the [Data Transfer Frame](#) section, the host controller can use a short data transfer frame to read only the required number of MSB bits from the 32-bit output data word.

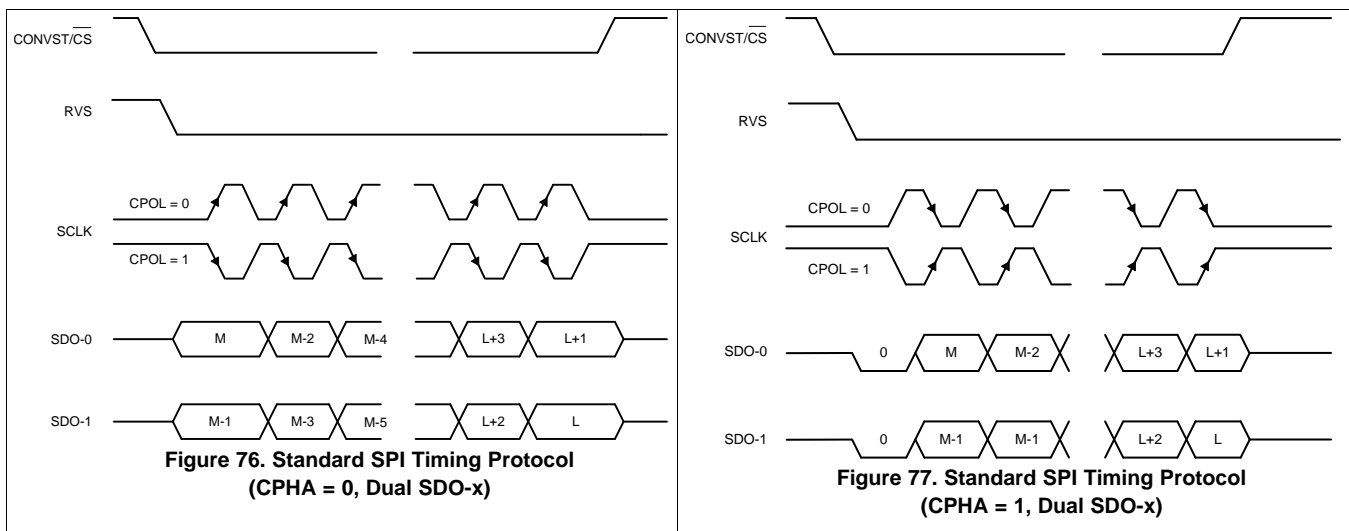
If the host controller uses a long data transfer frame with SDO_CNTL_REG[7:0] = 00h, then the device exhibits daisy-chain operation (see the [Multiple Devices: Daisy-Chain Topology](#) section).



7.5.4.2.2 Legacy, SPI-Compatible (SYS-xy-S) Protocols with Dual SDO-x

The device provides an option to increase the SDO-x bus width from one bit (default, single SDO-x) to two bits (dual SDO-x) when operating with any of the data transfer protocols. In order to operate the device in dual SDO mode, the SDO1_CONFIG[1:0] bits in the SDO_CTL_REG register must be set to 11b. In this mode, the ALARM/SDO-1/GPO pin functions as SDO-1.

In dual SDO mode, two bits of data are launched on the two SDO-x pins (SDO-0 and SDO-1) on every SCLK launch edge, as shown in Figure 76 and Figure 77.



NOTE

For any particular SPI protocol, the device follows the same timing specifications for single and dual SDO modes. The only difference is that the device requires half as many SCLK cycles to output the same number of bits when in single SDO mode, thus reducing the minimum required SCLK frequency for a certain sampling rate of the ADC.

7.5.4.2.3 Source-Synchronous (SRC) Protocols

The multiSPI interface supports an ADC master clock or source-synchronous mode of data transfer between the device and host controller. In this mode, the device provides an output clock that is synchronous with the output data. Furthermore, the host controller can also select the output clock source and data bus width options in this mode of operation. In all SRC modes of operation, the RVS pin provides the output clock, synchronous to the device data output.

The SRC protocol allows the clock source (internal or external) and the width of the output bus to be configured, similar to the SPI protocols.

7.5.4.2.3.1 Output Clock Source Options

The device allows the output clock on the RVS pin to be synchronous to either the external clock provided on the SCLK pin or to the internal clock of the device. This selection is done by configuring the SSYNC_CLK bit, as explained in the [SDO_CTL_REG register](#). The timing diagram and specifications for operating the device with an SRC protocol in external CLK mode are provided in [Figure 7](#) and the [Timing Requirements: Source-Synchronous Serial Interface \(External Clock\)](#) table. The timing diagram and specifications for operating the device with an SRC protocol in internal CLK mode are provided in [Figure 8](#) and the [Timing Requirements: Source-Synchronous Serial Interface \(Internal Clock\)](#) table.

7.5.4.2.3.2 Output Bus Width Options

The device provides an option to increase the SDO-x bus width from one bit (default, single SDO-x) to two bits (dual SDO-x) when operating with any of the SRC protocols. In order to operate the device in dual SDO mode, the SDO1_CONFIG[1:0] bits in the [SDO_CTL_REG register](#) must be set to 11b. In this mode, the ALARM/SDO-1/GPO pin functions as SDO-1.

NOTE

For any particular SRC protocol, the device follows the same timing specifications for single and dual SDO modes. The only difference is that the device requires half as many clock cycles to output the same number of bits when in single SDO mode, thus reducing the minimum required clock frequency for a certain sampling rate of the ADC.

7.6 Register Maps

7.6.1 Device Configuration and Register Maps

The device features nine configuration registers, mapped as described in [Table 10](#). Each configuration registers is comprised of four registers, each containing a data byte.

Table 10. Configuration Registers Mapping

ADDRESS	REGISTER NAME	REGISTER FUNCTION
00h	DEVICE_ID_REG	Device ID register
04h	RST_PWRCTL_REG	Reset and power control register
08h	SDI_CTL_REG	SDI data input control register
0Ch	SDO_CTL_REG	SDO-x data input control register
10h	DATAOUT_CTL_REG	Output data control register
14h	RANGE_SEL_REG	Input range selection control register
20h	ALARM_REG	ALARM output register
24h	ALARM_H_TH_REG	ALARM high threshold and hysteresis register
28h	ALARM_L_TH_REG	ALARM low threshold register

7.6.1.1 DEVICE_ID_REG Register (address = 00h)

This register contains the unique identification numbers associated to a device that is used in a daisy-chain configuration involving multiple devices.

Figure 78. DEVICE_ID_REG Register

31	30	29	28	27	26	25	24	23	22	21	20	19	18	17	16
Reserved								Reserved				DEVICE_ADDR[3:0]			
R-00h								R-0000b				R/W-0000b			
15	14	13	12	11	10	9	8	7	6	5	4	3	2	1	0
Reserved															
R-0000h															

LEGEND: R/W = Read/Write; R = Read only; -n = value after reset; -0, -1 = Condition after application reset;

-<0>, -<1> = Condition after power-on reset

Address for bits 7-0 = 00h

Address for bits 15-8 = 01h

Address for bits 23-16 = 02h

Address for bits 31-24 = 03h

Table 11. DEVICE_ID_REG Register Field Descriptions

Bit	Field	Type	Reset	Description
31-24	Reserved	R	00h	Reserved. Reads return 00h.
23-20	Reserved	R	0000b	Reserved. Reads return 0000b.
19-16	DEVICE_ADDR[3:0] ⁽¹⁾	R	0000b	These bits can be used to identify up to 16 different devices in a system.
15-0	Reserved	R	0000h	Reserved. Reads return 0000h.

(1) These bits are useful in daisy-chain mode.

7.6.1.2 RST_PWRCTL_REG Register (address = 04h)

This register controls the reset and power-down features offered by the converter.

Any write operation to the RST_PWRCTL_REG register must be preceded by a write operation with the register address set to 05h and the register data set to 69h.

Figure 79. RST_PWRCTL_REG Register

31	30	29	28	27	26	25	24	23	22	21	20	19	18	17	16
Reserved															
R-0000h															
15	14	13	12	11	10	9	8	7	6	5	4	3	2	1	0
WKEY[7:0]							Reserved	VDD_AL_DIS	IN_AL_DIS	Reserved	RSTn_APP	NAP_EN	PWRDN		
R/W-00h							R-00b	R/W-0b	R/W-0b	R-0b	R/W-<0>b	R/W-<0>b	R/W-0b		

LEGEND: R/W = Read/Write; R = Read only; -n = value after reset; -0, -1 = Condition after application reset;

-<0>, -<1> = Condition after power-on reset

Address for bits 7-0 = 04h

Address for bits 15-8 = 05h

Address for bits 23-16 = 06h

Address for bits 31-24 = 07h

Table 12. RST_PWRCTL_REG Register Field Descriptions

Bit	Field	Type	Reset	Description
31-16	Reserved	R	0000h	Reserved. Reads return 0000h.
15-8	WKEY[7:0]	R/W	00h	This value functions as a protection key to enable writes to bits 5-0. Bits are written only if WKEY is set to 69h first.
7-6	Reserved	R	00b	Reserved. Reads return 00b
5	VDD_AL_DIS	R/W	0b	0b = VDD alarm is enabled 1b = VDD alarm is disabled
4	IN_AL_DIS	R/W	0b	0b = Input alarm is enabled 1b = Input alarm is disabled
3	Reserved	R	0b	Reserved. Reads return 0h.
2	RSTn_APP ⁽¹⁾	R/W	0b	0b = $\overline{\text{RST}}$ pin functions as a POR class reset (causes full device initialization) 1b = $\overline{\text{RST}}$ pin functions as an application reset (only user-programmed modes are cleared)
1	NAP_EN ⁽²⁾	R/W	0b	0b = Disables the NAP mode of the converter 1b = Enables the converter to enter NAP mode if CONVST/ $\overline{\text{CS}}$ is held high after the current conversion completes
0	PWRDN ⁽²⁾	R/W	0b	0b = Puts the converter into active mode 1b = Puts the converter into power-down mode

(1) Setting this bit forces the $\overline{\text{RST}}$ pin to function as an application reset until the next power cycle.

(2) See the [Electrical Characteristics](#) table for details on the latency encountered when entering and exiting the associated low-power mode.

7.6.1.3 SDI_CTL_REG Register (address = 08h)

This register configures the protocol used for writing data to the device.

Figure 80. SDI_CTL_REG Register

31	30	29	28	27	26	25	24	23	22	21	20	19	18	17	16
Reserved															
R-0000h															
15	14	13	12	11	10	9	8	7	6	5	4	3	2	1	0
Reserved								Reserved					SDI_MODE [1:0]		
R-00h								R-000000b					R/W-<00>b		

LEGEND: R/W = Read/Write; R = Read only; -n = value after reset; -0, -1 = Condition after application reset;
 -<0>, -<1> = Condition after power-on reset

Address for bits 7-0 = 08h

Address for bits 15-8 = 09h

Address for bits 23-16 = 0Ah

Address for bits 31-24 = 0Bh

Table 13. SDI_CTL_REG Register Field Descriptions

Bit	Field	Type	Reset	Description
31-16	Reserved	R	0000h	Reserved. Reads return 0000h.
15-8	Reserved	R	00h	Reserved. Reads return 00h.
7-2	Reserved	R	000000b	Reserved. Reads return 000000b.
1-0	SDI_MODE[1:0]	R/W	00b	These bits select the protocol for reading from or writing to the device. 00b = Standard SPI with CPOL = 0 and CPHASE = 0 01b = Standard SPI with CPOL = 0 and CPHASE = 1 10b = Standard SPI with CPOL = 1 and CPHASE = 0 11b = Standard SPI with CPOL = 1 and CPHASE = 1

7.6.1.4 SDO_CTL_REG Register (address = 0Ch)

This register controls the data protocol used to transmit data out from the SDO-x pins of the device.

Figure 81. SDO_CTL_REG Register

31	30	29	28	27	26	25	24	23	22	21	20	19	18	17	16
Reserved															
R-0000h															
15	14	13	12	11	10	9	8	7	6	5	4	3	2	1	0
Reserved			GPO_VAL	Reserved		SDO1_CONFIG [1:0]		Reserved		SSYNC_CLK		Reserved			SDO_MODE[1:0]
R-000b			R/W-0b	R-00b		R/W-00b		R-0b		R/W-<0>b		R-0h			R/W-<0>b

LEGEND: R/W = Read/Write; R = Read only; -n = value after reset; -0, -1 = Condition after application reset;

-<0>, -<1> = Condition after power-on reset

Address for bits 7-0 = 0Ch

Address for bits 15-8 = 0Dh

Address for bits 23-16 = 0Eh

Address for bits 31-24 = 0Fh

Table 14. SDO_CTL_REG Register Field Descriptions

Bit	Field	Type	Reset	Description
31-16	Reserved	R	0000h	Reserved. Reads return 0h.
15-13	Reserved	R	000b	Reserved. Reads return 000b.
12	GPO_VAL	R/W	0b	1-bit value for the output on the GPO pin.
11-10	Reserved	R	00b	Reserved. Reads return 00b.
9-8	SDO1_CONFIG[1:0]	R/W	00b	Two bits are used to configure ALARM/SDO-1/GPO: 00b = SDO-1 is always tri-stated; 1-bit SDO mode 01b = SDO-1 functions as ALARM; 1-bit SDO mode 10b = SDO-1 functions as GPO; 1-bit SDO mode 11b = SDO-1 combined with SDO-0 offers a 2-bit SDO mode
7	Reserved	R	0b	Reserved. Reads return 0b.
6	SSYNC_CLK ⁽¹⁾	R/W	0b	This bit controls the source of the clock selected for source-synchronous transmission. 0b = External SCLK (no division) 1b = Internal clock (no division)
5-2	Reserved	R	0000b	Reserved. Reads return 0000b.
1-0	SDO_MODE[1:0]	R/W	00b	These bits control the data output modes of the device. 0xb = SDO mode follows the same SPI protocol as that used for SDI; see the SDI_CTL_REG register 10b = Invalid configuration 11b = SDO mode follows the ADC master clock or source-synchronous protocol

 (1) This bit takes effect **only** in the ADC master clock or source-synchronous mode of operation.

7.6.1.5 DATAOUT_CTL_REG Register (address = 10h)

This register controls the data output by the device.

Figure 82. DATAOUT_CTL_REG Register

31	30	29	28	27	26	25	24	23	22	21	20	19	18	17	16
Reserved															
R-0000h															
15	14	13	12	11	10	9	8	7	6	5	4	3	2	1	0
Reserved	DEVICE_ADDR_INCL	VDD_ACTIVE_ALARM_INCL[1:0]		IN_ACTIVE_ALARM_INCL[1:0]		Reserved	RANGE_INCL	Reserved			PAR_EN	DATA_VAL [2:0]			
R-0b	R/W-0b	R/W-0b		R/W-0b		R-0b	R/W-0b	R-0000b			R/W-<0>b	R/W-000b			

LEGEND: R/W = Read/Write; R = Read only; -n = value after reset; -0, -1 = Condition after application reset;
-<0>, -<1> = Condition after power-on reset

Address for bits 7-0 = 10h

Address for bits 15-8 = 11h

Address for bits 23-16 = 12h

Address for bits 31-24 = 13h

Table 15. DATAOUT_CTL_REG Register Field Descriptions

Bit	Field	Type	Reset	Description
31-16	Reserved	R	0000h	Reserved. Reads return 0000h.
15	Reserved	R	0b	Reserved. Reads return 0b.
14	DEVICE_ADDR_INCL	R/W	0b	Control to include the 4-bit DEVICE_ADDR register value in the SDO-x output bit stream. 0b = Do not include the register value 1b = Include the register value
13-12	VDD_ACTIVE_ALARM_INCL[1:0]	R/W	00b	Control to include the active VDD ALARM flags in the SDO-x output bit stream. 00b = Do not include 01b = Include ACTIVE_VDD_H_FLAG 10b = Include ACTIVE_VDD_L_FLAG 11b = Include both flags
11-10	IN_ACTIVE_ALARM_INCL[1:0]	R/W	00b	Control to include the active input ALARM flags in the SDO-x output bit stream. 00b = Do not include 01b = Include ACTIVE_IN_H_FLAG 10b = Include ACTIVE_IN_L_FLAG 11b = Include both flags
9	Reserved	R	0b	Reserved. Reads return 0h.
8	RANGE_INCL	R/W	0b	Control to include the 4-bit input range setting in the SDO-x output bit stream. 0b = Do not include the range configuration register value 1b = Include the range configuration register value
7-4	Reserved	R	0000b	Reserved. Reads return 0000b.
3	PAR_EN ⁽¹⁾	R/W	0b	0b = Output data does not contain parity information 1b = Two parity bits (ADC output and output data frame) are appended to the LSBs of the output data The ADC output parity bit reflects an even parity for the ADC output bits only. The output data frame parity bit reflects an even parity signature for the entire output data frame, including the ADC output bits and any internal flags or register settings.
2-0	DATA_VAL[2:0]	R/W	000b	These bits control the data value output by the converter. 0xb = Value output is the conversion data 100b = Value output is all 0's 101b = Value output is all 1's 110b = Value output is alternating 0's and 1's 111b = Value output is alternating 00's and 11's

(1) Setting this bit increases the length of the output data by two bits.

7.6.1.6 RANGE_SEL_REG Register (address = 14h)

This register controls the configuration of the internal reference and input voltage ranges for the converter.

Figure 83. RANGE_SEL_REG Register

31	30	29	28	27	26	25	24	23	22	21	20	19	18	17	16	
Reserved																
R-0000h																
15	14	13	12	11	10	9	8	7	6	5	4	3	2	1	0	
Reserved								Reser ved	INTREF_ DIS	Reserved			RANGE_SEL[3:0]			
R-00h								R-0b	R/W-0b	R-00b			R/W-<0000>b			

LEGEND: R/W = Read/Write; R = Read only; -n = value after reset; -0, -1 = Condition after application reset;
 -<0>, -<1> = Condition after power-on reset

Address for bits 7-0 = 14h

Address for bits 15-8 = 15h

Address for bits 23-16 = 16h

Address for bits 31-24 = 17h

Table 16. RANGE_SEL_REG Register Field Descriptions

Bit	Field	Type	Reset	Description
31-16	Reserved	R	0000h	Reserved. Reads return 0000h.
15-8	Reserved	R	00h	Reserved. Reads return 00h.
7	Reserved	R	0b	Reserved. Reads return 0b.
6	INTREF_DIS	R/W	0b	Control to disable the ADC internal reference. 0b = Internal reference is enabled 1b = Internal reference is disabled
5-4	Reserved	R	00b	Reserved. Reads return 00b.
3-0	RANGE_SEL[3:0]	R/W	0000b	These bits comprise the 4-bit register that selects the nine input ranges of the ADC. 0000b = $\pm 3 \times V_{REF}$ 0001b = $\pm 2.5 \times V_{REF}$ 0010b = $\pm 1.5 \times V_{REF}$ 0011b = $\pm 1.25 \times V_{REF}$ 0100b = $\pm 0.625 \times V_{REF}$ 1000b = $3 \times V_{REF}$ 1001b = $2.5 \times V_{REF}$ 1010b = $1.5 \times V_{REF}$ 1011b = $1.25 \times V_{REF}$

7.6.1.7 ALARM_REG Register (address = 20h)

This register contains the output alarm flags (active and tripped) for the input and AVDD alarm.

Figure 84. ALARM_REG Register

31	30	29	28	27	26	25	24	23	22	21	20	19	18	17	16
Reserved															
R-0000h															
15	14	13	12	11	10	9	8	7	6	5	4	3	2	1	0
ACTIVE_VDD_L_FLAG	ACTIVE_VDD_H_FLAG	Reserved	ACTIVE_IN_L_FLAG	ACTIVE_IN_H_FLAG	Reserved	TRP_VDD_L_FLAG	TRP_VDD_H_FLAG	TRP_IN_L_FLAG	TRP_IN_H_FLAG	Reserved	OVW_ALARM				
R-0b	R-0b	R-00b	R-0b	R-0b	R-00b	R-0b	R-0b	R-0b	R-0b	R-0b	R-0b	R-000b	R-0b		

LEGEND: R = Read only; -n = value after reset; -0, -1 = Condition after application reset; -<0>, -<1> = Condition after power-on reset

Address for bits 7-0 = 20h

Address for bits 15-8 = 21h

Address for bits 23-16 = 22h

Address for bits 31-24 = 23h

Table 17. ALARM_REG Register Field Descriptions

Bit	Field	Type	Reset	Description
31-16	Reserved	R	0000h	Reserved. Reads return 0000h.
15	ACTIVE_VDD_L_FLAG	R	0b	Active ALARM output flag for low AVDD voltage. 0b = No ALARM condition 1b = ALARM condition exists
14	ACTIVE_VDD_H_FLAG	R	0b	Active ALARM output flag for high AVDD voltage. 0b = No ALARM condition 1b = ALARM condition exists
13-12	Reserved	R	00b	Reserved. Reads return 00b.
11	ACTIVE_IN_L_FLAG	R	0b	Active ALARM output flag for high input voltage. 0b = No ALARM condition 1b = ALARM condition exists
10	ACTIVE_IN_H_FLAG	R	0b	Active ALARM output flag for low input voltage. 0b = No ALARM condition 1b = ALARM condition exists
9-8	Reserved	R	00b	Reserved. Reads return 00b.
7	TRP_VDD_L_FLAG	R	0b	Tripped ALARM output flag for low AVDD voltage. 0b = No ALARM condition 1b = ALARM condition exists
6	TRP_VDD_H_FLAG	R	0b	Tripped ALARM output flag for high AVDD voltage. 0b = No ALARM condition 1b = ALARM condition exists
5	TRP_IN_L_FLAG	R	0b	Tripped ALARM output flag for high input voltage. 0b = No ALARM condition 1b = ALARM condition exists
4	TRP_IN_H_FLAG	R	0b	Tripped ALARM output flag for low input voltage. 0b = No ALARM condition 1b = ALARM condition exists
3-1	Reserved	R	000b	Reserved. Reads return 000b.
0	OVW_ALARM	R	0b	Logical OR outputs all tripped ALARM flags. 0b = No ALARM condition 1b = ALARM condition exists

7.6.1.8 ALARM_H_TH_REG Register (address = 24h)

This register controls the hysteresis and high threshold for the input alarm.

Figure 85. ALARM_H_TH_REG Register

31	30	29	28	27	26	25	24	23	22	21	20	19	18	17	16
INP_ALARM_HYST[7:0]								Reserved							
R/W-00h								R-00h							
15	14	13	12	11	10	9	8	7	6	5	4	3	2	1	0
INP_ALARM_HIGH_TH[15:0]															
R/W-FFFFh															

LEGEND: R/W = Read/Write; R = Read only; -n = value after reset; -0, -1 = Condition after application reset;
 -<0>, -<1> = Condition after power-on reset

Address for bits 7-0 = 24h Address for bits 15-8 = 25h Address for bits 23-16 = 26h Address for bits 31-24 = 27h

Table 18. ALARM_H_TH_REG Register Field Descriptions

Bit	Field	Type	Reset	Description
31-24	INP_ALARM_HYST[7:0]	R/W	00h	INP_ALARM_HYST[7:2]: 6-bit hysteresis value for the input ALARM. INP_ALARM_HYST[1:0] must be set to 00b.
23-16	Reserved	R	00h	Reserved. Reads return 00h.
15-0	INP_ALARM_HIGH_TH[15:0]	R/W	FFFFh	Threshold for comparison is INP_ALARM_HIGH_TH[15:0] appended with 00b.

7.6.1.9 ALARM_L_TH_REG Register (address = 28h)

This register controls the low threshold for the input alarm.

Figure 86. ALARM_L_TH_REG Register

31	30	29	28	27	26	25	24	23	22	21	20	19	18	17	16
Reserved															
R-0000h															
15	14	13	12	11	10	9	8	7	6	5	4	3	2	1	0
INP_ALARM_LOW_TH[15:0]															
R/W-0000h															

LEGEND: R/W = Read/Write; R = Read only; -n = value after reset; -0, -1 = Condition after application reset;
 -<0>, -<1> = Condition after power-on reset

Address for bits 7-0 = 28h Address for bits 15-8 = 29h Address for bits 23-16 = 2Ah Address for bits 31-24 = 2Bh

Table 19. ALARM_L_TH_REG Register Field Descriptions

Bit	Field	Type	Reset	Description
32:16	Reserved	R	0000h	Reserved. Reads return 0000h.
15-0	INP_ALARM_LOW_TH[15:0]	R/W	0000h	Threshold for comparison is INP_ALARM_LOW_TH[15:0] appended with 00b.

8 Application and Implementation

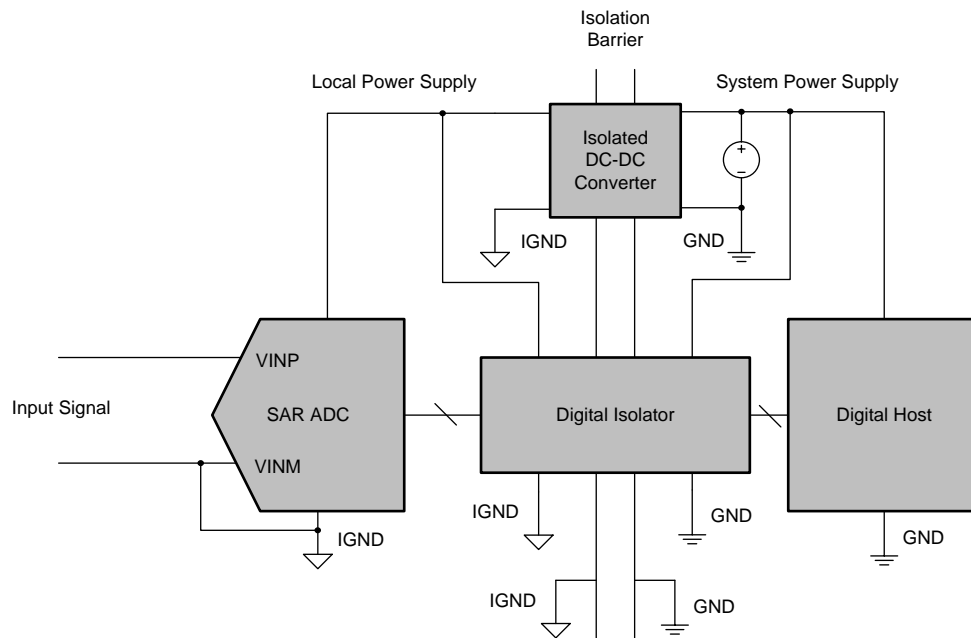
NOTE

Information in the following applications sections is not part of the TI component specification, and TI does not warrant its accuracy or completeness. TI's customers are responsible for determining suitability of components for their purposes. Customers should validate and test their design implementation to confirm system functionality.

8.1 Application Information

The ADS869x is a fully-integrated data acquisition (DAQ) system based on a 18-bit successive approximation (SAR) analog-to-digital converter (ADC). The device includes an integrated analog front-end (AFE) circuit to drive the inputs of the ADC and an integrated precision reference with a buffer. As such, this device does not require any additional external circuits for driving the reference or analog input pins of the ADC.

8.2 Typical Application



NOTE: The potential difference between IGND and GND can be as high as the barrier breakdown voltage (often thousands of volts).

Figure 87. 18-Bit Isolated DAQ System for High Common-Mode Rejection

8.2.1 Design Requirements

Design a 18-bit DAQ system for processing input signals up to ± 12 V superimposed on large dc or ac common-mode offsets relative to the ground potential of the system main power supply. The specific performance requirements are as follows:

- Input signal: ± 12 -V amplitude signal of a 1-kHz frequency superimposed on a ± 75 -V common-mode with frequency between dc and 15 kHz
- CMRR > 100 dB over stipulated common-mode frequency range
- SNR > 91 dB
- THD < -106 dB

Typical Application (continued)

8.2.2 Detailed Design Procedure

The design uses galvanic isolation between the DAQ system inputs and main power supply to achieve extremely high CMRR, as indicated by [Figure 87](#). The system not only tolerates large common-mode voltages beyond its absolute maximum ratings but also delivers excellent performance largely independent of common-mode amplitude and frequency (within the specified operating limits). The relevant performance characteristics are illustrated in [Figure 95](#), [Figure 89](#), and [Figure 90](#).

The system performance requirements by itself can be easily satisfied by using the ADS869x. This device simplifies system design because the ADS869x eliminates the need for designing a discrete high-performance signal chain needed with most other SAR ADCs. In addition, the use of galvanic isolation has the following system design implications:

- A local floating supply is needed to power the ADS869x because the device cannot load the system main power supply
- A digital isolator is required to facilitate data transfer between the isolated ADS869x serial interface and the digital host controller

The floating power supply can be realized as an isolated transformer-based, push-pull converter followed by a rectifier and low-dropout (LDO) regulator to largely eliminate the ADC power-supply ripple by taking advantage of the high PSRR provided by most LDOs. A schematic of this design is shown in [Figure 88](#).

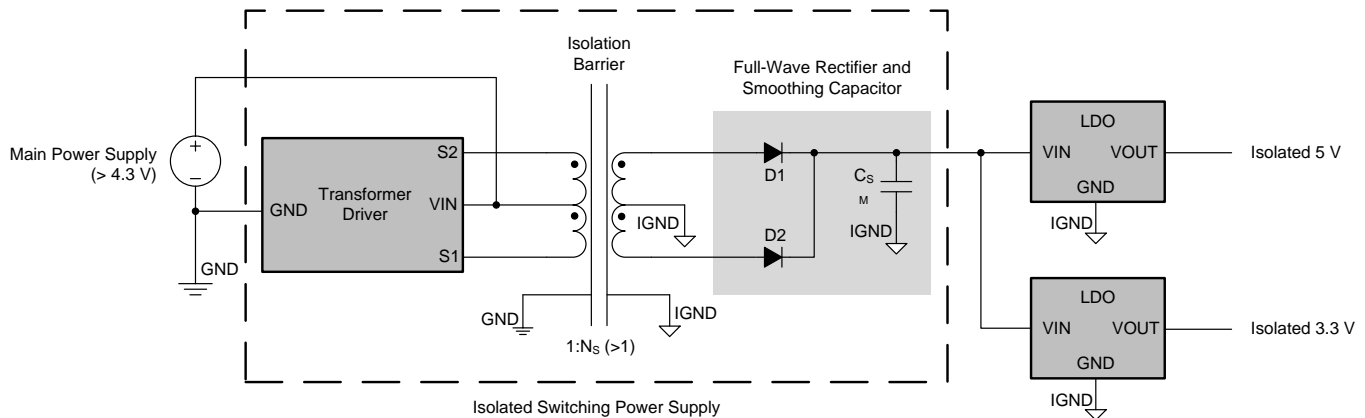


Figure 88. Isolated Power-Supply Design

Recommended components for the circuit shown in [Figure 88](#) are given below:

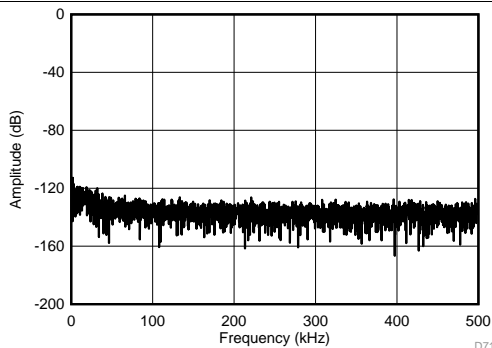
- The [SN6501](#) transformer driver is selected for its low input voltage requirement, small form-factor, and the flexibility offered for easily adjusting the system isolation voltage rating by substituting the transformer
- A miniature printed circuit board (PCB)-mount, center-tapped transformer with a gain > 1 maintains line regulation at the LDO outputs
- Schottky rectifiers for minimal forward voltage drop
- Smoothing capacitor for sufficiently low ripple at the LDO input
- The [TPS7A4901](#) LDOs for an ultra-low noise contribution relative to the ADS869x and high PSRR over a wide frequency range to attenuate output ripple to levels below the LDO output noise level

With regard to the digital isolator, the [ISO7640FM](#) is recommended for the following reasons:

- Supports > a 50-MHz SCLK and the required logic levels for operating the ADS869x at the full throughput
- Quad-channel device that facilitates excellent delay-matching between critical interface signals for reliable operation at high speed

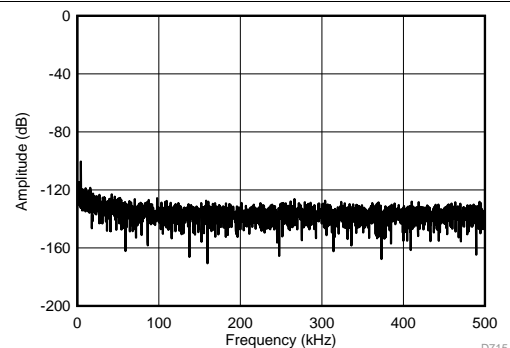
Typical Application (continued)

8.2.3 Application Curves



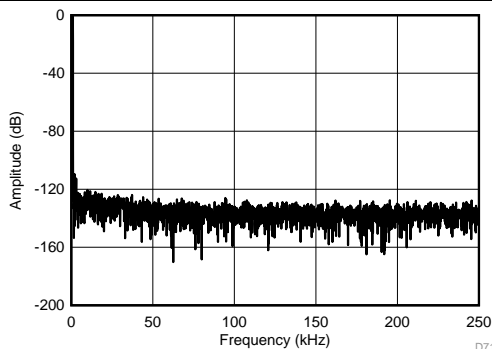
$f_{\text{SAMPLE}} = 1 \text{ MSPS}$, $V_{\text{IN}} = \pm 12 \text{ V}$, $f_{\text{IN}} = 1 \text{ kHz}$, $V_{\text{CM}} = 50 \text{ V}_{\text{DC}}$,
SINAD = 92.2 dB, THD = -109 dB

Figure 89. FFT Plot With a DC Common-Mode at 1 MSPS



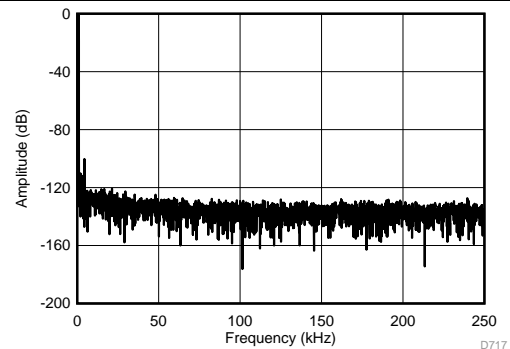
$f_{\text{SAMPLE}} = 1 \text{ MspS}$, $V_{\text{IN}} = \pm 12 \text{ V}$, $f_{\text{IN}} = 1 \text{ kHz}$,
 $V_{\text{CM}} = 155 \text{ V}_{\text{PP}}$, SINAD = 91.5 dB, THD = -109 dB

Figure 90. FFT Plot With an AC Common-Mode at 1 MSPS



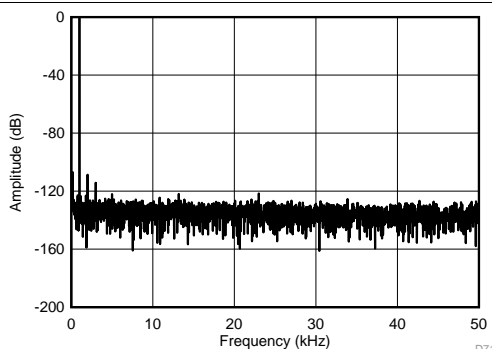
$f_{\text{SAMPLE}} = 500 \text{ kSPS}$, $V_{\text{IN}} = \pm 12 \text{ V}$, $f_{\text{IN}} = 1 \text{ kHz}$, $V_{\text{CM}} = 50 \text{ V}_{\text{DC}}$,
SINAD = 92.3 dB, THD = -109 dB

Figure 91. FFT Plot With a DC Common-Mode at 500 kSPS



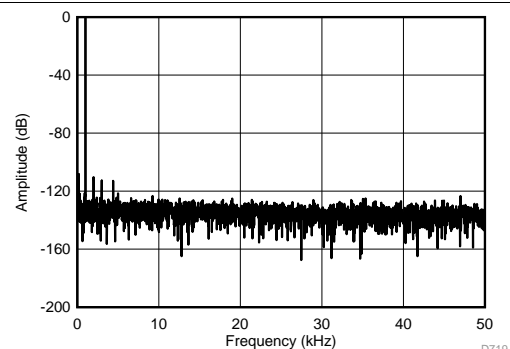
$f_{\text{SAMPLE}} = 500 \text{ kSPS}$, $V_{\text{IN}} = \pm 12 \text{ V}$, $f_{\text{IN}} = 1 \text{ kHz}$,
 $V_{\text{CM}} = 155 \text{ V}_{\text{PP}}$, SINAD = 91.9 dB, THD = -109 dB

Figure 92. FFT Plot With an AC Common-Mode at 500 kSPS



$f_{\text{SAMPLE}} = 100 \text{ kSPS}$, $V_{\text{IN}} = \pm 12 \text{ V}$, $f_{\text{IN}} = 1 \text{ kHz}$, $V_{\text{CM}} = 50 \text{ V}_{\text{DC}}$,
SINAD = 91.9 dB, THD = -109 dB

Figure 93. FFT Plot With a DC Common-Mode at 100 kSPS



$f_{\text{SAMPLE}} = 100 \text{ kSPS}$, $V_{\text{IN}} = \pm 12 \text{ V}$, $f_{\text{IN}} = 1 \text{ kHz}$,
 $V_{\text{CM}} = 155 \text{ V}_{\text{PP}}$, SINAD = 91.4 dB, THD = -109 dB

Figure 94. FFT Plot With an AC Common-Mode at 100 kSPS

Typical Application (continued)

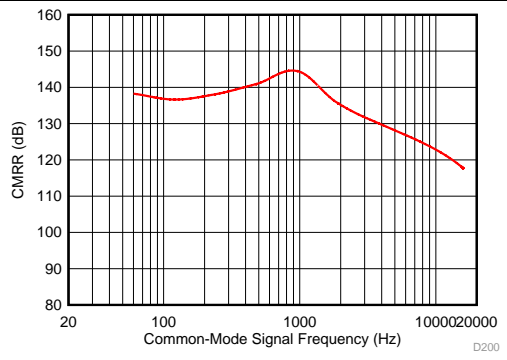


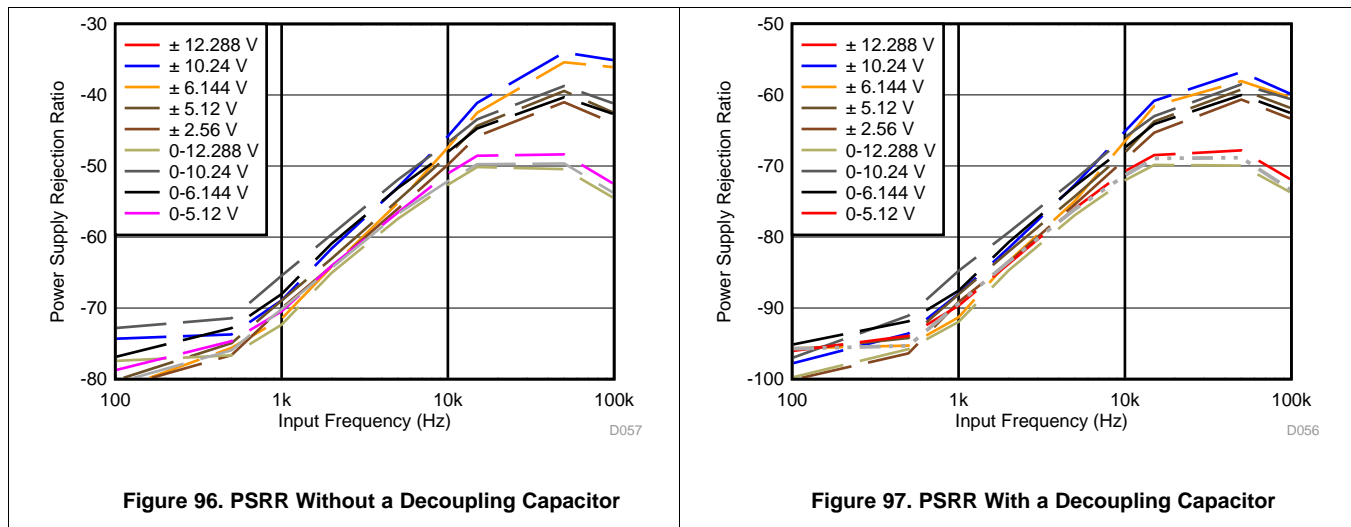
Figure 95. Common-Mode Rejection Ratio vs Frequency

9 Power Supply Recommendations

The device uses two separate power supplies: AVDD and DVDD. The internal circuits of the device operate on AVDD and DVDD is used for the digital interface. AVDD and DVDD can be independently set to any value within the permissible range.

9.1 Power Supply Decoupling

The AVDD supply pins must be decoupled with AGND by using a minimum 10- μ F and 1- μ F capacitor on each supply. Place the 1- μ F capacitor as close to the supply pins as possible. Place a minimum 10- μ F decoupling capacitor very close to the DVDD supply to provide the high-frequency digital switching current. The effect of using the decoupling capacitor is illustrated in the difference between the power-supply rejection ratio (PSRR) performance of the device. Figure 96 shows the PSRR of the device without using a decoupling capacitor. The PSRR improves when the decoupling capacitors are used, as shown in Figure 97.



9.2 Power Saving

In normal mode of operation, the device does not power down between conversions, and therefore achieves high throughput. However, the device offers two programmable low-power modes: NAP and power-down (PD) to reduce power consumption when the device is operated at lower throughput rates.

9.2.1 NAP Mode

In NAP mode, the internal blocks of the device are placed into a low-power mode to reduce the overall power consumption of the device in the ACQ state.

To enable NAP mode:

- Write 69h to register address 05h to unlock the [RST_PWRCTL_REG](#) register.
- The NAP_EN bit in the [RST_PWRCTL_REG](#) register must be set to 1b. The CONVST/ $\overline{\text{CS}}$ pin must be kept high at the end of the conversion process. The device then enters NAP mode at the end of conversion and remains in NAP mode as long as the CONVST/ $\overline{\text{CS}}$ pin is held high.

A falling edge on the CONVST/ $\overline{\text{CS}}$ brings the device out of NAP mode; however, the host controller can initiate a new conversion (CONVST/ $\overline{\text{CS}}$ rising edge) only after the $t_{\text{NAP_WKUP}}$ time has elapsed (see the [Timing Requirements: Asynchronous Reset](#) table).

Power Saving (continued)

9.2.2 Power-Down (PD) Mode

The device also features a deep power-down mode (PD) to reduce the power consumption at very low throughput rates.

The following steps must be taken to enter PD mode:

1. Write 69h to register address 05h to unlock the [RST_PWRCTL_REG register](#).
2. Set the PWRDN bit in the [RST_PWRCTL_REG register](#) to 1b. The device enters PD mode on the rising edge of the CONVST/ $\overline{\text{CS}}$ signal.

In PD mode, all analog blocks within the device are powered down; however, the interface remains active and the register contents are also retained. The RVS pin is high, indicating that the device is ready to receive the next command.

In order to exit PD mode:

1. Clear the PWRDN bit in the [RST_PWRCTL_REG register](#) to 0b.
2. The RVS pin goes high, indicating that the device has started coming out of PD mode. However, the host controller must wait for the t_{PWRUP} time (see the [Timing Requirements: Asynchronous Reset](#) table) to elapse before initiating a new conversion.

10 Layout

10.1 Layout Guidelines

[Figure 98](#) illustrates a PCB layout example for the ADS869x.

- Partition the PCB into analog and digital sections. Care must be taken to ensure that the analog signals are kept away from the digital lines. This layout helps keep the analog input and reference input signals away from the digital noise. In this layout example, the analog input and reference signals are routed on the lower side of the board and the digital connections are routed on the top side of the board.
- Using a single dedicated ground plane is strongly encouraged.
- Power sources to the ADS869x must be clean and well-bypassed. Using a 1- μF , X7R-grade, 0603-size ceramic capacitor with at least a 10-V rating in close proximity to the analog (AVDD) supply pins is recommended. For decoupling the digital supply pin (DVDD), a 1- μF , X7R-grade, 0603-size ceramic capacitor with at least a 10-V rating is recommended. Placing vias between the AVDD, DVDD pins and the bypass capacitors must be avoided. All ground pins must be connected to the ground plane using short, low-impedance paths.
- There are two decoupling capacitors used for the REFCAP pin. The first is a small, 1- μF , 0603-size ceramic capacitor placed close to the device pins for decoupling the high-frequency signals and the second is a 10- μF , 0805-size ceramic capacitor to provide the charge required by the reference circuit of the device. A capacitor with an ESR less than 0.2 Ω is recommended for the 10- μF capacitor. Both of these capacitors must be directly connected to the device pins without any vias between the pins and capacitors.
- The REFIO pin also must be decoupled with a minimum of 4.7- μF ceramic capacitor if the internal reference of the device is used. The capacitor must be placed close to the device pins.

10.2 Layout Example

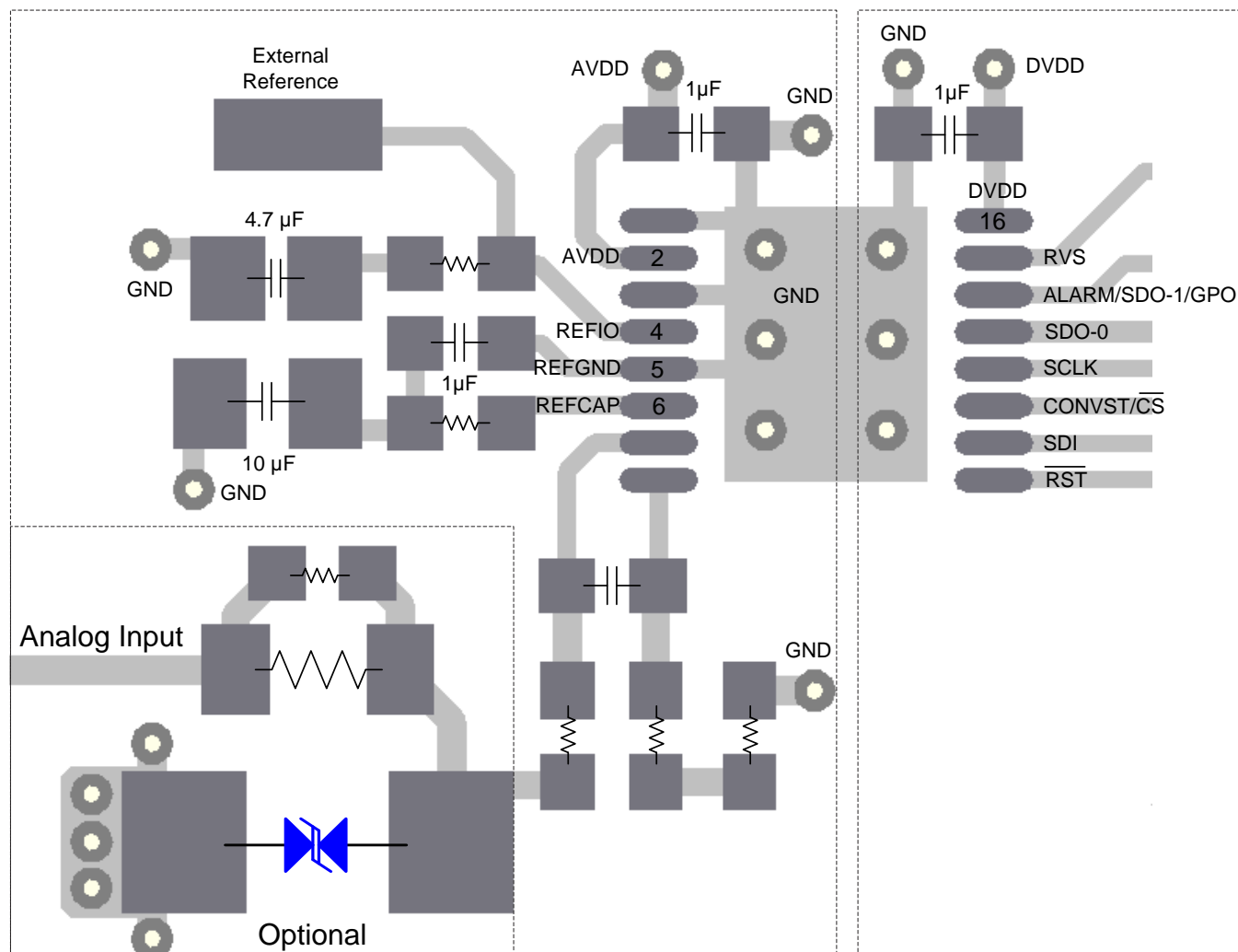


Figure 98. Board Layout for the ADS869x

11 Device and Documentation Support

11.1 Documentation Support

11.1.1 Related Documentation

For related documentation see the following:

- Texas Instruments, [OPA320 Precision, 20MHz, 0.9pA, Low-Noise, RRIO, CMOS Operational Amplifier with Shutdown data sheet](#)
- Texas Instruments, [SN6501 Transformer Driver for Isolated Power Supplies data sheet](#)
- Texas Instruments, [TPS7A49 36-V, 150-mA, Ultralow-Noise, Positive Linear Regulator data sheet](#)
- Texas Instruments, [ISO764x4M Low-Power Quad-Channel Digital Isolators data sheet](#)
- Texas Instruments, [AN-2029 Handling and Process Recommendations application report](#)

11.2 Related Links

The table below lists quick access links. Categories include technical documents, support and community resources, tools and software, and quick access to order now.

Table 20. Related Links

PARTS	PRODUCT FOLDER	ORDER NOW	TECHNICAL DOCUMENTS	TOOLS & SOFTWARE	SUPPORT & COMMUNITY
ADS8691	Click here	Click here	Click here	Click here	Click here
ADS8695	Click here	Click here	Click here	Click here	Click here
ADS8699	Click here	Click here	Click here	Click here	Click here

11.3 Receiving Notification of Documentation Updates

To receive notification of documentation updates, navigate to the device product folder on ti.com. In the upper right corner, click on *Alert me* to register and receive a weekly digest of any product information that has changed. For change details, review the revision history included in any revised document.

11.4 Community Resources

The following links connect to TI community resources. Linked contents are provided "AS IS" by the respective contributors. They do not constitute TI specifications and do not necessarily reflect TI's views; see TI's [Terms of Use](#).

TI E2E™ Online Community *TI's Engineer-to-Engineer (E2E) Community*. Created to foster collaboration among engineers. At e2e.ti.com, you can ask questions, share knowledge, explore ideas and help solve problems with fellow engineers.

Design Support *TI's Design Support* Quickly find helpful E2E forums along with design support tools and contact information for technical support.

11.5 Trademarks

E2E is a trademark of Texas Instruments.
 multiSPI is a trademark of Motorola Mobility LLC.
 All other trademarks are the property of their respective owners.

11.6 Electrostatic Discharge Caution



This integrated circuit can be damaged by ESD. Texas Instruments recommends that all integrated circuits be handled with appropriate precautions. Failure to observe proper handling and installation procedures can cause damage.

ESD damage can range from subtle performance degradation to complete device failure. Precision integrated circuits may be more susceptible to damage because very small parametric changes could cause the device not to meet its published specifications.

11.7 Glossary

[SLYZ022](#) — *TI Glossary*.

This glossary lists and explains terms, acronyms, and definitions.

12 Mechanical, Packaging, and Orderable Information

The following pages include mechanical, packaging, and orderable information. This information is the most current data available for the designated devices. This data is subject to change without notice and revision of this document. For browser-based versions of this data sheet, refer to the left-hand navigation.

PACKAGING INFORMATION

Orderable Device	Status (1)	Package Type	Package Drawing	Pins	Package Qty	Eco Plan (2)	Lead finish/ Ball material (6)	MSL Peak Temp (3)	Op Temp (°C)	Device Marking (4/5)	Samples
ADS8691IPW	ACTIVE	TSSOP	PW	16	90	RoHS & Green	NIPDAU	Level-3-260C-168 HR	-40 to 125	ADS8691	Samples
ADS8691IPWR	ACTIVE	TSSOP	PW	16	2000	RoHS & Green	NIPDAU	Level-3-260C-168 HR	-40 to 125	ADS8691	Samples
ADS8695IPW	ACTIVE	TSSOP	PW	16	90	RoHS & Green	NIPDAU	Level-3-260C-168 HR	-40 to 125	ADS8695	Samples
ADS8695IPWR	ACTIVE	TSSOP	PW	16	2000	RoHS & Green	NIPDAU	Level-3-260C-168 HR	-40 to 125	ADS8695	Samples
ADS8699IPW	ACTIVE	TSSOP	PW	16	90	RoHS & Green	NIPDAU	Level-3-260C-168 HR	-40 to 125	ADS8699	Samples
ADS8699IPWR	ACTIVE	TSSOP	PW	16	2000	RoHS & Green	NIPDAU	Level-3-260C-168 HR	-40 to 125	ADS8699	Samples

(1) The marketing status values are defined as follows:

ACTIVE: Product device recommended for new designs.

LIFEBUY: TI has announced that the device will be discontinued, and a lifetime-buy period is in effect.

NRND: Not recommended for new designs. Device is in production to support existing customers, but TI does not recommend using this part in a new design.

PREVIEW: Device has been announced but is not in production. Samples may or may not be available.

OBSOLETE: TI has discontinued the production of the device.

(2) **RoHS:** TI defines "RoHS" to mean semiconductor products that are compliant with the current EU RoHS requirements for all 10 RoHS substances, including the requirement that RoHS substance do not exceed 0.1% by weight in homogeneous materials. Where designed to be soldered at high temperatures, "RoHS" products are suitable for use in specified lead-free processes. TI may reference these types of products as "Pb-Free".

RoHS Exempt: TI defines "RoHS Exempt" to mean products that contain lead but are compliant with EU RoHS pursuant to a specific EU RoHS exemption.

Green: TI defines "Green" to mean the content of Chlorine (Cl) and Bromine (Br) based flame retardants meet JS709B low halogen requirements of <=1000ppm threshold. Antimony trioxide based flame retardants must also meet the <=1000ppm threshold requirement.

(3) MSL, Peak Temp. - The Moisture Sensitivity Level rating according to the JEDEC industry standard classifications, and peak solder temperature.

(4) There may be additional marking, which relates to the logo, the lot trace code information, or the environmental category on the device.

(5) Multiple Device Markings will be inside parentheses. Only one Device Marking contained in parentheses and separated by a "~" will appear on a device. If a line is indented then it is a continuation of the previous line and the two combined represent the entire Device Marking for that device.

(6) Lead finish/Ball material - Orderable Devices may have multiple material finish options. Finish options are separated by a vertical ruled line. Lead finish/Ball material values may wrap to two lines if the finish value exceeds the maximum column width.

Important Information and Disclaimer: The information provided on this page represents TI's knowledge and belief as of the date that it is provided. TI bases its knowledge and belief on information provided by third parties, and makes no representation or warranty as to the accuracy of such information. Efforts are underway to better integrate information from third parties. TI has taken and continues to take reasonable steps to provide representative and accurate information but may not have conducted destructive testing or chemical analysis on incoming materials and chemicals. TI and TI suppliers consider certain information to be proprietary, and thus CAS numbers and other limited information may not be available for release.

In no event shall TI's liability arising out of such information exceed the total purchase price of the TI part(s) at issue in this document sold by TI to Customer on an annual basis.

TAPE AND REEL INFORMATION

QUADRANT ASSIGNMENTS FOR PIN 1 ORIENTATION IN TAPE


*All dimensions are nominal

Device	Package Type	Package Drawing	Pins	SPQ	Reel Diameter (mm)	Reel Width W1 (mm)	A0 (mm)	B0 (mm)	K0 (mm)	P1 (mm)	W (mm)	Pin1 Quadrant
ADS8691IPWR	TSSOP	PW	16	2000	330.0	12.4	6.9	5.6	1.6	8.0	12.0	Q1
ADS8695IPWR	TSSOP	PW	16	2000	330.0	12.4	6.9	5.6	1.6	8.0	12.0	Q1
ADS8699IPWR	TSSOP	PW	16	2000	330.0	12.4	6.9	5.6	1.6	8.0	12.0	Q1

TAPE AND REEL BOX DIMENSIONS


*All dimensions are nominal

Device	Package Type	Package Drawing	Pins	SPQ	Length (mm)	Width (mm)	Height (mm)
ADS8691IPWR	TSSOP	PW	16	2000	367.0	367.0	35.0
ADS8695IPWR	TSSOP	PW	16	2000	367.0	367.0	35.0
ADS8699IPWR	TSSOP	PW	16	2000	367.0	367.0	35.0



NOTES:

1. All linear dimensions are in millimeters. Any dimensions in parenthesis are for reference only. Dimensioning and tolerancing per ASME Y14.5M.
2. This drawing is subject to change without notice.
3. This dimension does not include mold flash, protrusions, or gate burrs. Mold flash, protrusions, or gate burrs shall not exceed 0.15 mm per side.
4. This dimension does not include interlead flash. Interlead flash shall not exceed 0.25 mm per side.
5. Reference JEDEC registration MO-153.

EXAMPLE BOARD LAYOUT

PW0016A

TSSOP - 1.2 mm max height

SMALL OUTLINE PACKAGE



LAND PATTERN EXAMPLE
EXPOSED METAL SHOWN
SCALE: 10X



4220204/A 02/2017

NOTES: (continued)

- 6. Publication IPC-7351 may have alternate designs.
- 7. Solder mask tolerances between and around signal pads can vary based on board fabrication site.

EXAMPLE STENCIL DESIGN

PW0016A

TSSOP - 1.2 mm max height

SMALL OUTLINE PACKAGE



SOLDER PASTE EXAMPLE
BASED ON 0.125 mm THICK STENCIL
SCALE: 10X

4220204/A 02/2017

NOTES: (continued)

8. Laser cutting apertures with trapezoidal walls and rounded corners may offer better paste release. IPC-7525 may have alternate design recommendations.
9. Board assembly site may have different recommendations for stencil design.

IMPORTANT NOTICE AND DISCLAIMER

TI PROVIDES TECHNICAL AND RELIABILITY DATA (INCLUDING DATASHEETS), DESIGN RESOURCES (INCLUDING REFERENCE DESIGNS), APPLICATION OR OTHER DESIGN ADVICE, WEB TOOLS, SAFETY INFORMATION, AND OTHER RESOURCES "AS IS" AND WITH ALL FAULTS, AND DISCLAIMS ALL WARRANTIES, EXPRESS AND IMPLIED, INCLUDING WITHOUT LIMITATION ANY IMPLIED WARRANTIES OF MERCHANTABILITY, FITNESS FOR A PARTICULAR PURPOSE OR NON-INFRINGEMENT OF THIRD PARTY INTELLECTUAL PROPERTY RIGHTS.

These resources are intended for skilled developers designing with TI products. You are solely responsible for (1) selecting the appropriate TI products for your application, (2) designing, validating and testing your application, and (3) ensuring your application meets applicable standards, and any other safety, security, or other requirements. These resources are subject to change without notice. TI grants you permission to use these resources only for development of an application that uses the TI products described in the resource. Other reproduction and display of these resources is prohibited. No license is granted to any other TI intellectual property right or to any third party intellectual property right. TI disclaims responsibility for, and you will fully indemnify TI and its representatives against, any claims, damages, costs, losses, and liabilities arising out of your use of these resources.

TI's products are provided subject to TI's Terms of Sale (www.ti.com/legal/termsofsale.html) or other applicable terms available either on ti.com or provided in conjunction with such TI products. TI's provision of these resources does not expand or otherwise alter TI's applicable warranties or warranty disclaimers for TI products.

Mailing Address: Texas Instruments, Post Office Box 655303, Dallas, Texas 75265
Copyright © 2020, Texas Instruments Incorporated