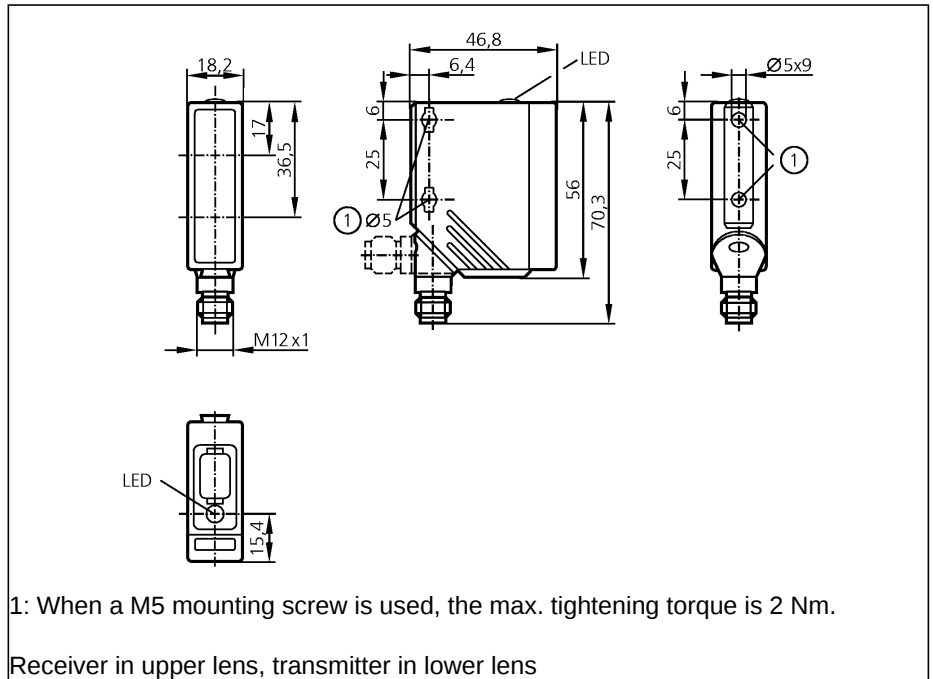


Photoelectric sensors

**O5P200**

O5P-DPKG/US  
Retro-reflective sensor  
Rectangular plastic  
Plug and socket  
  
Polarisation filter

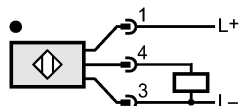
Sensing range 0.1 ... 7m  
(Prismatic reflector Ø 80 (E20005))



Electrical design	
Output	
Range referred to prismatic reflector	[m]
Light spot diameter	[mm]
Operating voltage	[V]
Current rating	[mA]
Short-circuit protection	
Reverse polarity protection	
Overload protection	
Voltage drop	[V]
Current consumption	[mA]
Switching frequency	[Hz]
Type of light	
Operating temperature	[°C]
Protection	
EMC	
Housing material	
Material lens	
Function display	
Switching status	LED
Connection	
Remarks	

DC PNP	
dark-on mode	
Ø 80 mm	0.1...7
50 x 50 mm	0.1...7
	175 ( at maximum range )
	10...36 DC
	200
	pulsed
	yes
	yes
	< 2.5
	20
	1000
	Red light 624 nm
	-25...60
	IP 67, II
	EN 60947-5-2
	housing: PA; bezel: high-grade stainless steel; operator interface: TPE
	PMMA
	yellow
	M12 connector
	cULus - Class 2 source required

**Wiring**



**O5P200**

**excess gain graphs**

