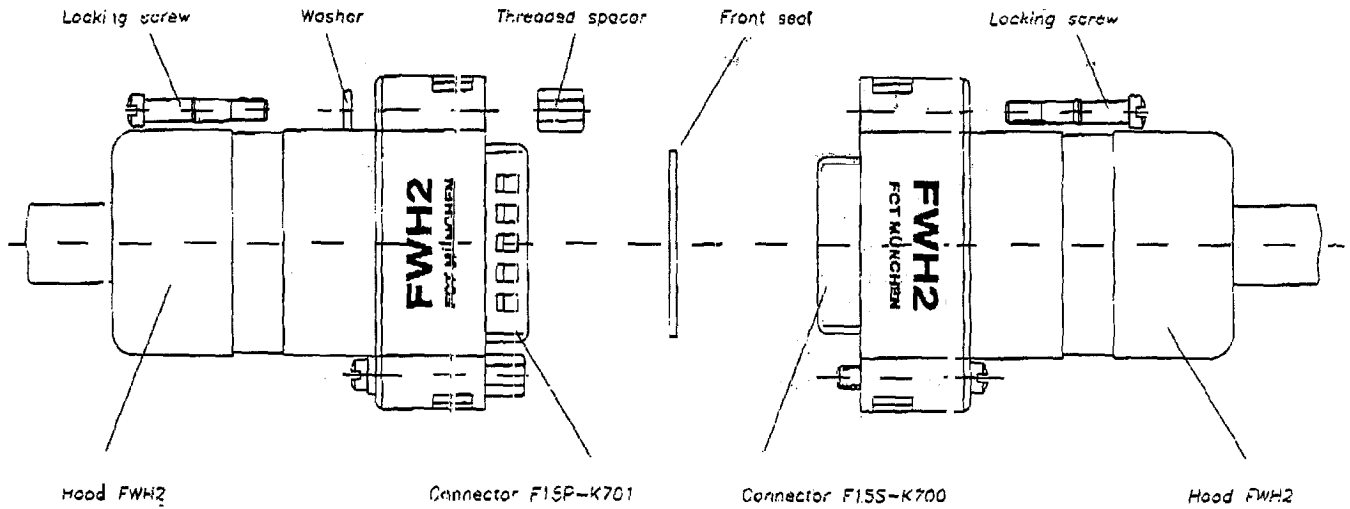
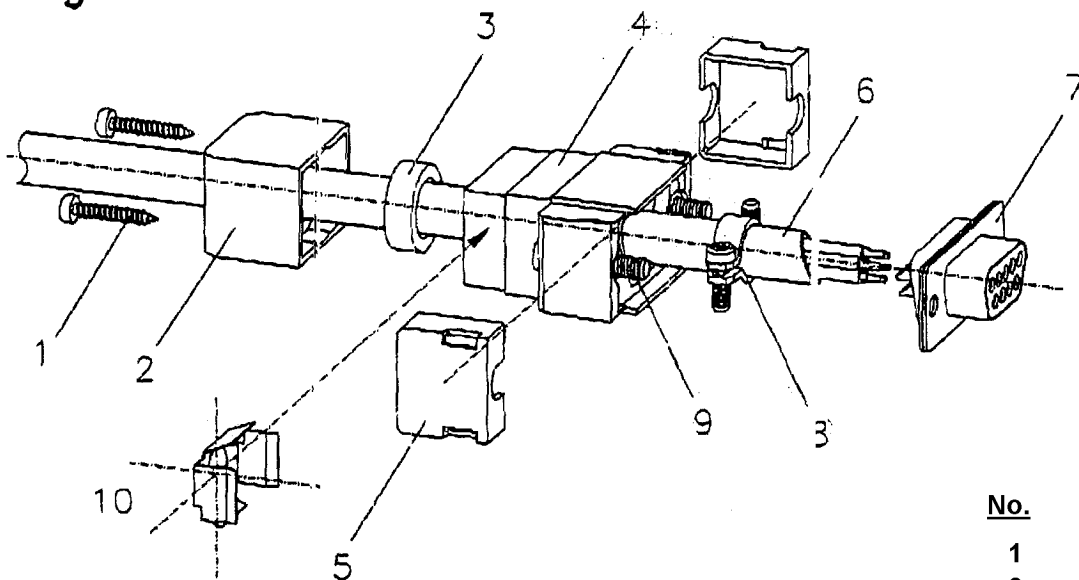


Example of a waterproof connection between two cables

Number	Component	Order Number
2	hoods	FWH2
2	locking screws	FVS1Y5
1	D-Sub pin connector	F15P-K701
1	D-Sub socket connector (incl. threaded spacer, locking screws, a front seal and washers)	F15S-K700



Mounting diagram



No.	Component
1	hood screw
2	top part of hood
3	rubber gasket
4	main body of hood
5	holding cap
6	cable
7	connector
8	cable clamp
9	locking screw
10	contact plate *

The black rubber gasket (3) is suitable for cable diameter 6,0 to 8,0 (0.234 to 0.310 ") with shell size 1, 2 and for cable diameter 8,0 to 10,5 (0.310 to 0.410 ") with shell size 3.

*For shielded version only.