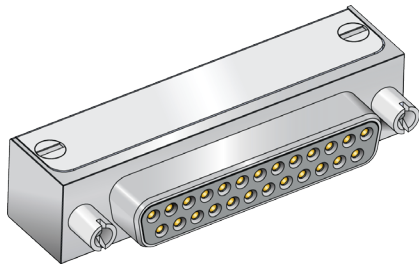


## 280-029S right angle PC tail socket connectors with low profile mounting flange

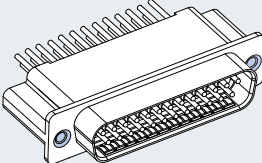
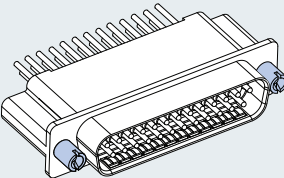


Low profile right angle PC tail HiPer-D® socket connectors feature rugged machined aluminum shell and stainless steel cover for improved EMI protection. Contacts are non-removable size, #20 or #22. Intermateable with standard M24308-type D-Subminiature connectors, the HiPer-D® features epoxy potting for environmental sealing. Threaded holes on the rear of the connector allow attachment to circuit board. Glass-reinforced thermoset epoxy insulators. 1000 VAC, 5 Amps (#22) or 7.5 Amps (#20).

B

How To Order		280-029S	3S25	JF	P	A
<b>Sample Part Number</b>						
<b>Basic Part Number</b>	<b>280-029S</b>					
<b>Shell Size-Contact Arrangement</b>	See Shell Size - Contact Arrangements Table					
<b>Shell Finish</b>	<b>ME</b> = Electroless Nickel (RoHS) <b>MT</b> = Nickel-PTFE (RoHS) <b>JF</b> = Cadmium with Yellow Chromate <b>Z2</b> = Gold (RoHS) <b>Z1</b> = Passivated Stainless Steel (RoHS)					
<b>Mating Hardware</b>	<b>N</b> = No Hardware (supplied with #4-40 tapped holes) <b>P</b> = #4-40 Female Jackposts					
<b>PC Tail Length</b>	<b>A</b> = .125 (3.18) Tail Length <b>B</b> = .250 (6.35) Tail Length					

Shell Size - Contact Arrangements		
Shell Size-Contact Arr.	Contact Size and Qty	
	#20	#22
<b>Standard Density</b>		
<b>1S9</b>	9	
<b>2S15</b>	15	
<b>3S25</b>	25	
<b>4S37</b>	37	
<b>5S50</b>	50	
<b>High Density</b>		
<b>1H15</b>		15
<b>2H26</b>		26
<b>3H44</b>		44
<b>4H62</b>		62
<b>5H78</b>		78
<b>6H104</b>		104

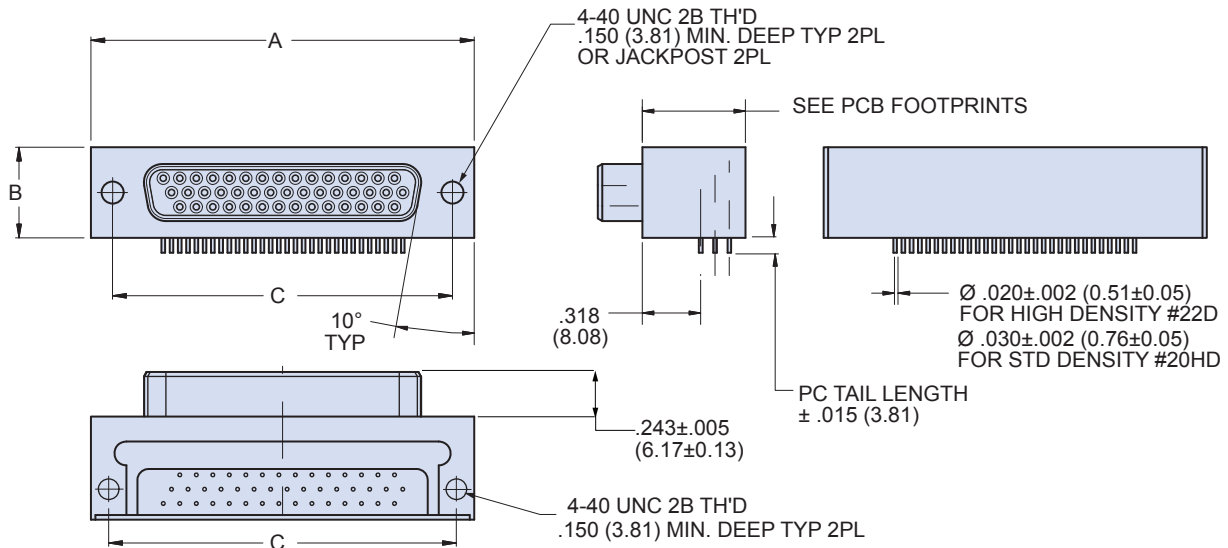
Mating Hardware
<p><b>N</b></p> <p>No Hardware</p> <p>#4-40 Female Threads in Mounting Holes</p>  <p>Choose this option for rear panel mounting and order jackpost kit 289-016 separately.</p>
<p><b>P</b></p> <p>#4-40 Female Jackposts</p> 

Materials and Finishes	
Shell	Aluminum alloy
Contacts	Copper alloy, 50 microinches gold plated
Insulator	Thermoset epoxy
Potting Compound	Epoxy
Hardware	300 series stainless steel

Specifications	
Current Rating	#22 5 AMPS, #20 7.5 AMPS
Test Voltage	1000 VAC RMS
Insulation Resistance	5000 megohms minimum
Operating Temperature	-65° C. to +200° C.
Ingress Protection	IP 67
Shock	300 g.
Vibration, Random	43.92 g.

## 280-029S right angle PC tail socket connectors with low profile mounting flange

### 280-029S DIMENSIONS



Shell Size	A		B		C Basic	
	in ± .015	mm ± 0.38	in ± .015	mm ± 0.38	in.	mm
1	1.213	30.81	.494	12.55	.984	24.99
2	1.541	39.14	.494	12.55	1.312	33.32
3	2.088	53.04	.494	12.55	1.852	47.04
4	2.729	69.32	.494	12.55	2.500	63.50
5	2.635	66.93	.605	15.37	2.406	61.11
6	2.729	69.32	.668	16.97	2.500	63.50

### NOTES

1. Contacts are factory-installed, non-removable and are potted with epoxy.
2. HiPer-D<sup>®</sup> connectors are available with a wide variety of materials and finishes. See [About Series 28 HiPer-D<sup>®</sup> Shell Plating Options](#) for additional choices. Glenair offers the industry's widest selection of plating and material choices with no setup charge, no minimum order quantity and no schedule impact.
3. For panel cutout dimensions, refer to [Panel Cutouts and Printed Circuit Board Footprints](#).
4. For printed circuit board mounting dimensions, refer to [Panel Cutouts and Printed Circuit Board Footprints](#).
5. HiPer-D<sup>®</sup> connectors meet the requirements of MIL-DTL-24308 and are intermateable with standard M24308-type D-Subminiature connectors with corresponding contact arrangements and type.
6. Additional electrical, mechanical and environmental specifications are listed in [HiPer-D<sup>®</sup> Product Specification](#).

