


Rod ends with female thread: EBRM and EBLM



- Maintenance free, self-lubricating
- High strength under impact loads
- Very high tensile strength for varying loads
- Compensation of misalignment
- Compensation of edge loads
- Resistant to dirt, dust and lint
- Corrosion- and chemical-resistant
- High vibration-dampening capacity
- Suitable for rotating, oscillating and linear movements
- Light weight
- Dimensional series E according to standard DIN ISO 12240
- For temperatures up to +200 °C we recommend EBRM-HT and EBLM-HT ► **Page 620**

 **Inch dimensions available**
► **From page 1183**

Technical data

| Part No. | | Max. static tensile strength | | Max. static radial load | | Min. thread depth | Max. torque strength | Max. torque through ball | Weight |
|--------------------|--------------------|------------------------------|---------------|-------------------------|---------------|-------------------|----------------------|--------------------------|--------|
| Right-hand thread | Left-hand thread | Short term [N] | Long term [N] | Short term [N] | Long term [N] | Thread [mm] | Inner threading [Nm] | [Nm] | [g] |
| EBRM-04 | EBLM-04 | 800 | 400 | 100 | 50 | 7 | 0.4 | 2.0 | 1.8 |
| EBRM-05 | EBLM-05 | 1,300 | 650 | 150 | 75 | 8 | 0.5 | 2.0 | 3.2 |
| EBRM-06 | EBLM-06 | 1,500 | 750 | 200 | 100 | 8 | 1.5 | 2.5 | 4.0 |
| EBRM-08 | EBLM-08 | 2,000 | 1,000 | 450 | 225 | 11 | 5.0 | 7.0 | 6.9 |
| EBRM-10 | EBLM-10 | 2,300 | 1,150 | 500 | 250 | 13 | 15.0 | 14.0 | 11.2 |
| EBRM-10 F | EBLM-10 F | 2,300 | 1,150 | 500 | 250 | 13 | 6.0 | 14.0 | 11.2 |
| EBRM-12 | EBLM-12 | 3,300 | 1,650 | 550 | 275 | 14 | 20.0 | 25.0 | 17.1 |
| EBRM-12 F | EBLM-12 F | 3,300 | 1,650 | 550 | 275 | 14 | 15.0 | 25.0 | 17.1 |
| EBRM-15 | EBLM-15 | 4,800 | 2,400 | 800 | 400 | 18 | 25.0 | 30.0 | 28.9 |
| EBRM-16 | EBLM-16 | 5,000 | 2,500 | 850 | 425 | 18 | 20.0 | 32.0 | 32.6 |
| EBRM-16 F | EBLM-16 F | 5,000 | 2,500 | 850 | 425 | 18 | 15.0 | 32.0 | 32.6 |
| EBRM-17 | EBLM-17 | 5,300 | 2,650 | 1,100 | 550 | 19 | 30.0 | 35.0 | 42.4 |
| EBRM-17 F | EBLM-17 F | 5,300 | 2,650 | 1,100 | 550 | 19 | 27.5 | 35.0 | 42.4 |
| EBRM-20 | EBLM-20 | 7,200 | 3,600 | 1,800 | 900 | 22 | 60.0 | 40.0 | 65.8 |
| EBRM-20 M20 | EBLM-20 M20 | 7,200 | 3,600 | 1,800 | 900 | 22 | 60.0 | 40.0 | 65.8 |
| EBRM-25 | EBLM-25 | 10,000 | 5,000 | 2,600 | 1,300 | 27 | 115.0 | 55.0 | 125.9 |
| EBRM-30 | EBLM-30 | 10,500 | 5,250 | 3,000 | 1,500 | 33 | 130.0 | 70.0 | 184.1 |

Spherical ball materials to choose ► **Page 693**



J4VEM:
clearance free,
preloaded



JEM: low
moisture
absorption

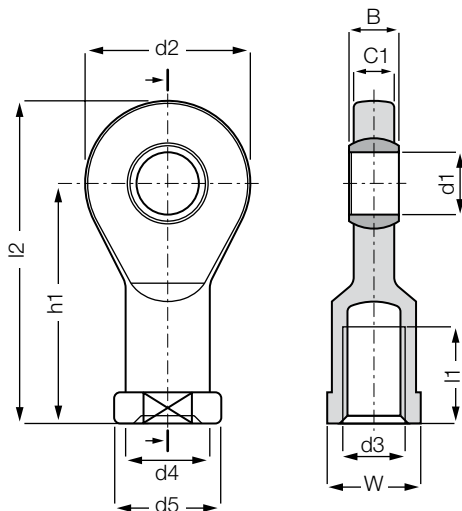


REM:
low-cost



J4EM: low-cost
and low moisture
absorption

Rod ends with female thread: EBRM and EBLM



Order key

| Type | Size | Options |
|------|------|---------|
|------|------|---------|

E B ... M - 04

Dimensional series E

Housing (female thread)

Thread

Metric

Inner-Ø [mm]

Thread

L = left-hand thread

R = right-hand thread



Material:

Housing: **igumid G** ▶ Page 1235

Spherical ball: **iglidur® W300** ▶ Page 121

More spherical ball materials on request

▶ Page 693

Dimensions [mm]

| Part No. | | d1 | d2 | d3 | d4 | d5 | C1 | B | h1 | l1 | l2 | W | Max. pivot angle |
|--------------------------|--------------------------|-----|----|------------|------|----|------|----|------|------|-------|------|------------------|
| Right-hand thread | Left-hand thread | E10 | | | | | | | | | | | |
| EBRM-04 ¹⁷⁾ | EBLM-04 ¹⁷⁾ | 4 | 15 | M04 | – | – | 3.5 | 5 | 22.5 | 9.5 | 30.0 | SW08 | 33° |
| EBRM-05 | EBLM-05 | 5 | 19 | M05 | 9.0 | 11 | 4.4 | 6 | 30 | 12 | 39.5 | SW09 | 33° |
| EBRM-06 | EBLM-06 | 6 | 21 | M06 | 11.0 | 13 | 4.4 | 6 | 30 | 12 | 40.5 | SW11 | 27° |
| EBRM-08 | EBLM-08 | 8 | 24 | M08 | 13.0 | 16 | 6.0 | 8 | 36 | 14 | 48.0 | SW14 | 24° |
| EBRM-10 | EBLM-10 | 10 | 29 | M10 | 15.0 | 19 | 7.0 | 9 | 43 | 18 | 57.5 | SW17 | 24° |
| EBRM-10 F | EBLM-10 F | 10 | 29 | M10 x 1.25 | 15.0 | 19 | 7.0 | 9 | 43 | 18 | 57.5 | SW17 | 24° |
| EBRM-12 | EBLM-12 | 12 | 34 | M12 | 18.0 | 22 | 8.0 | 10 | 50 | 20 | 67.0 | SW19 | 21° |
| EBRM-12 F | EBLM-12 F | 12 | 34 | M12 x 1.25 | 18.0 | 22 | 8.0 | 10 | 50 | 20 | 67.0 | SW19 | 21° |
| EBRM-15 | EBLM-15 | 15 | 40 | M14 | 21.0 | 26 | 10.0 | 12 | 61 | 26 | 81.0 | SW22 | 21° |
| EBRM-16 ¹⁷⁾ | EBLM-16 ¹⁷⁾ | 16 | 43 | M16 | – | – | 10.5 | 13 | 64.5 | 26.5 | 86.0 | SW22 | 21° |
| EBRM-16 F ¹⁷⁾ | EBLM-16 F ¹⁷⁾ | 16 | 43 | M16 x 1.5 | – | – | 10.5 | 13 | 64.5 | 26.5 | 86.0 | SW22 | 21° |
| EBRM-17 | EBLM-17 | 17 | 46 | M16 | 24.0 | 30 | 11.0 | 14 | 67 | 27 | 90.0 | SW27 | 18° |
| EBRM-17 F | EBLM-17 F | 17 | 46 | M16 x 1.5 | 24.0 | 30 | 11.0 | 14 | 67 | 27 | 90.0 | SW27 | 18° |
| EBRM-20 | EBLM-20 | 20 | 53 | M20 x 1.5 | 27.0 | 34 | 13.0 | 16 | 77 | 31 | 103.5 | SW30 | 16° |
| EBRM-20 M20 | EBLM-20 M20 | 20 | 53 | M20 x 2.5 | 27.0 | 34 | 13.0 | 16 | 77 | 31 | 103.5 | SW30 | 16° |
| EBRM-25 | EBLM-25 | 25 | 64 | M24 x 2.0 | 34.0 | 41 | 17.0 | 20 | 94 | 38 | 126.5 | SW36 | 16° |
| EBRM-30 | EBLM-30 | 30 | 73 | M30 x 2.0 | 41.0 | 48 | 19.0 | 22 | 110 | 47 | 146.5 | SW41 | 13° |

¹⁷⁾ Special form with hexagonal foot