



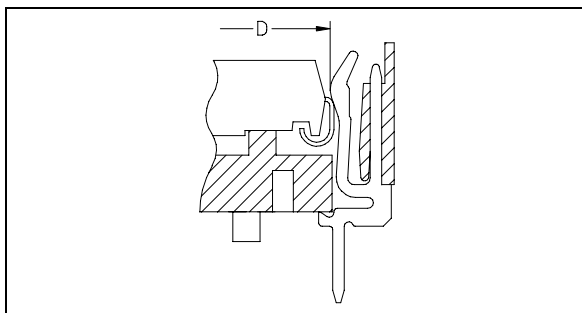
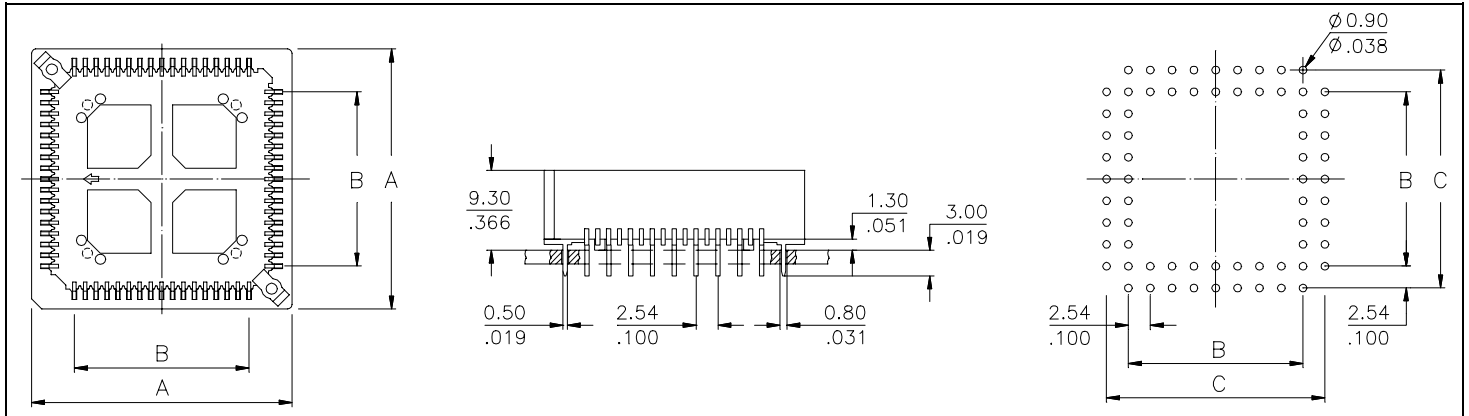
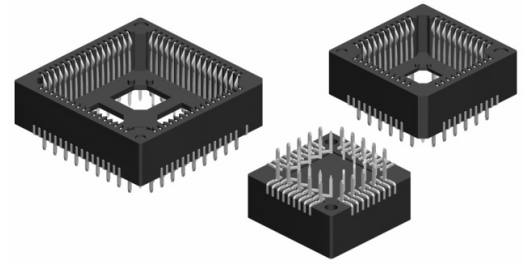
E-tec „hi-rel“ soldertail PLCC sockets correspond to JEDEC Norms. Precision stamped contact design provides special „push-down effect“ onto the leads of the chip.

Optional retention clips for very high shock and vibration applications.

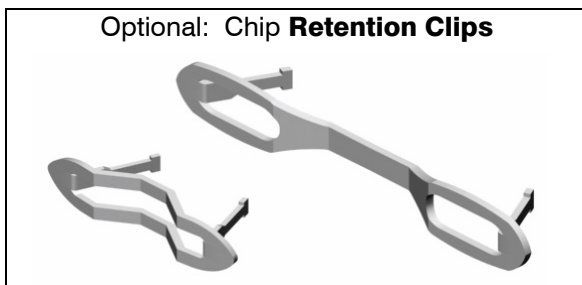
Inside polarisation corner prevents wrong insertion of the chips.

Stand-off's under the base prevent solder shorts.

Chips can be easily removed with the Universal extraction tool PUL - 200.



| JEDEC Specification for Plastic Leaded Chip Carrier | | | | | |
|---|----------------|------------------------------|------------------------------|-------------|-------------|
| Jedec Nbr | Nbr of Pins | Dimensions mm/inch | | | |
| | | "A" min. | "A" max. | „B“ min. | „B“ max. |
| MO-047 AB | 28 | 12,32 / .485 | 12,57 / .495 | 1,37 / .054 | 2,36 / .093 |
| MO-052 AE | 32 rectang. | 14,86 x 12,32 .585 x .485 | 15,11 x 12,57 .595 x .495 | 1,37 / .054 | 2,36 / .093 |
| MO-047 AB | 44 | 17,40 / .685 | 17,65 / .695 | 1,37 / .054 | 2,36 / .093 |
| MO-047 AB | 52 | 19,94 / .785 | 20,19 / .795 | 1,37 / .054 | 2,36 / .093 |
| MO-047 AB | 68 | 25,02 / .985 | 25,27 / .995 | 1,37 / .054 | 2,36 / .093 |
| MO-047 AB | 84 | 30,10 / 1.185 | 30,35 / 1.195 | 1,37 / .054 | 2,36 / .093 |



| Specifications | | | |
|--|---|---|---|
| Mechanical data | Plating: Sn (leadfree) over Ni | Temperature | Operating temp. - 55° to +125 °C |
| Mating cycles: min. 50 | Insertion force: max. 1,30N per contact | Material | Insulator (RoHS compliant): high temp plastic UL 94 V-0 |
| Extraction force: min. 0,90N per contact | | Contact (RoHS compliant): Phosphor Bronze | Retention Clip: Spring steel |
| | | Electrical data | Operating voltage: 100 V RMS / 150V DC |
| | | Breakdown voltage: >600 V RMS | Contact resistance: <20 mΩ |
| | | Insulation resistance: >5000 MΩ | Current rating: 1 A max., 100V |
| | | Capacitance: <2 pF | |

| PIN | Ordering Code | Dimensions mm/inch | | | |
|-----|---|------------------------------|-----------------------------|------------------------------|------------------------------|
| | | "A" | "B" | "C" | "D" |
| 28 | PLP - 028 - N110 - 99 | 17,60/.693 | 7,62/.300 | 12,70/.500 | 11,50/.453 |
| 32 | PLP - 032 - N110 - 99 (rectangular) | 17,60 x 20,14 .693 x .793 | 10,16 x 7,62 .400 x .300 | 12,70 x 15,24 .500 x .600 | 11,50 x 14,04 .453 x .553 |
| 44 | PLP - 044 - N110 - 99 | 22,68/.893 | 12,70/.500 | 17,78/.700 | 16,58/.653 |
| 52 | PLP - 052 - N110 - 99 | 25,22/.993 | 15,24/.600 | 20,32/.800 | 19,12/.753 |
| 68 | PLP - 068 - N110 - 99 | 30,30/1.193 | 20,32/.800 | 25,40/1.000 | 24,20/.953 |
| 84 | PLP - 084 - N110 - 99 | 35,38/1.393 | 25,40/1.000 | 30,48/1.200 | 29,28/1.153 |

Order Code for optional Retention Clip : **HCP - xxx** (replace "xxx" with nbr of pins. Example. -028 if for 28-pin Socket)

PUL - 200 Universal extraction tool for all socket sizes