

Guardian

Portable Hydraulic Filtration Systems

Max. 15 l/min - 3.4 bar



Making portable system cleanliness available all the time

A 'use anywhere' fluid transfer solution

The Guardian portable filtration system is designed to 'clean' new oil and deliver it to a system or carry out a clean up of used fluid to its original condition. Maximum pressure 3.4 bar. Maximum flow 15 l/min. A water removal element option is also available.



Contact Information:

Parker Hannifin
Hydraulic Filter Division Europe

European Product Information Centre
Freephone: 00800 27 27 5374
(from AT, BE, CH, CZ, DE, EE, ES, FI, FR, IE, IT, PT, SE, SK, UK)
filtrationinfo@parker.com

www.parker.com/hfde

Product Features:

- Guardian is designed to 'clean' new oil and deliver it to a system.
- Carries out a clean up of existing fluid to its original condition.
- Maximum pressure 3.4 bar. Maximum flow 15 l/min.
- Filters petroleum based oils, water emulsions and diesel fuels.

Guardian

Portable Hydraulic Filtration Systems

Features & Benefits

Features	Advantages
Portable and robust design	Guardian is designed to be used anywhere. Take it to the system or transfer new oil from the drum.
Lightweight design	Only 10.6 kg
Quick disconnect hose connections	Storage is simple. Guardian's compact design means it is easily stowed.
Visual indicator	Operational condition is constantly monitored
110VAC or 220/240VAC options	Guardian's power flexibility means it can be used anywhere.
A range of clean-up elements	A user can specify the media that will best achieve his clean up/filtering requirements.
Water removal element option	Water removal from the system is an important requirement for fluid efficiency.

Note: 15 l/min / Fluid transfer at a controlled rate

- Fluid transfer
- Offline reservoir clean-up
- Injection moulding machines
- Royal navy surface fleet systems
- Paper mills
- Industrial equipment
- Mobile equipment
- Marine system support

The Parker Filtration Guardian portable filtration systems.

Guardian is a portable filtration system with two main functions: to ensure that new 'dirty' fluid often contaminated during handling, is delivered to the system at a specific cleanliness; and to permit periodic clean up of existing fluid to original condition.

Recommended fluids: Petroleum based oils, water emulsions and diesel fuels.

Application Example

A hydraulic system reservoir had become heavily contaminated and the hydraulic system was in danger of a catastrophic failure from particulate and water contamination. These contaminants were introduced from various points – airborne, wear and introduction of new 'dirty' fluids. The Guardian filtration system was installed into the hydraulic systems reservoir and run completely off-line for a period of time until acceptable contamination levels were achieved.

This off-line attachment allowed the hydraulic system to continue operating without costly downtimes. Additionally a Water Removal (WR) Element was also fitted to the Guardian, which radically reduced the water contamination within the entire system.

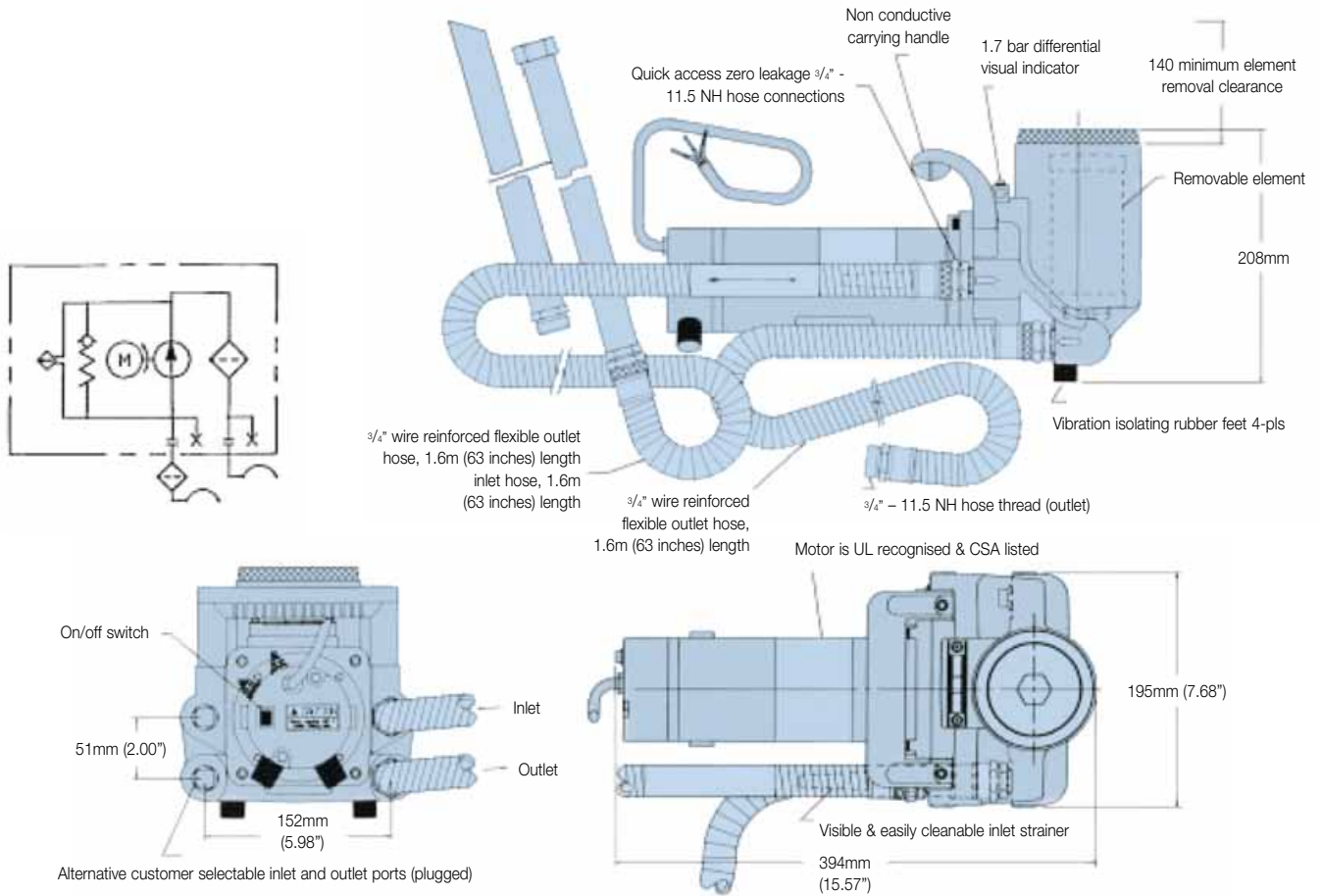
This customer will 'only now' introduce new fluids into his hydraulic application by using the Guardian filtration system and in addition utilises the Guardian off-line option to maintain and protect his system.

Contamination levels are monitored by an LCM202022 which controls the Guardians operation.

Result: reliability and complete confidence restored.



Specification



Guardian

Portable Hydraulic Filtration Systems

Ordering Information and Product Configurator

Standard products table

Part number	Supersedes	Model (fluorocarbon)	Motor option	Element (μ)	Options	Plug type	Replacement element
GT4E110Q1UK	F3-GT4E-1-10Q-1-UK	GT4E	1	10Q	1	UK	G04396Q
GT4E110Q1EUR	F3-GT4E-1-10Q-1-EUR	GT4E	1	10Q	1	EUR	G04396Q
GT4E210Q1IND	F3-GT4E-2-10Q-1-IND	GT4E	2	10Q	1	IND	G04396Q

Note 1: Motor Options*

Option 1 = 220/240 VAC

Option 2 = 110 VAC.

Note 2: Plug Type**

IND = Industrial 110VAC UK Option.

Note 3: (Options) Quick disconnect hose connections are available. Consult Parker.

Note 4: The 24 Volt motor option is available. For details consult Parker.

Replacement elements

Guardian replacement elements to ISO16889

Part number	Media code	Media type
G04396Q	10Q	Microglass III
G04394Q	02Q	Microglass III
G04395Q	05Q	Microglass III
G04397Q	20Q	Microglass III
G04400	25	Wire mesh
G04401	40	Wire mesh
G04402	74	Wire mesh
932019	WR	Water removal

Note 1: Part numbers featured with bold highlighted codes will ensure a 'standard' product selection.

Note 2: Alternate displayed part number selection will require you to contact Parker Filtration for availability.