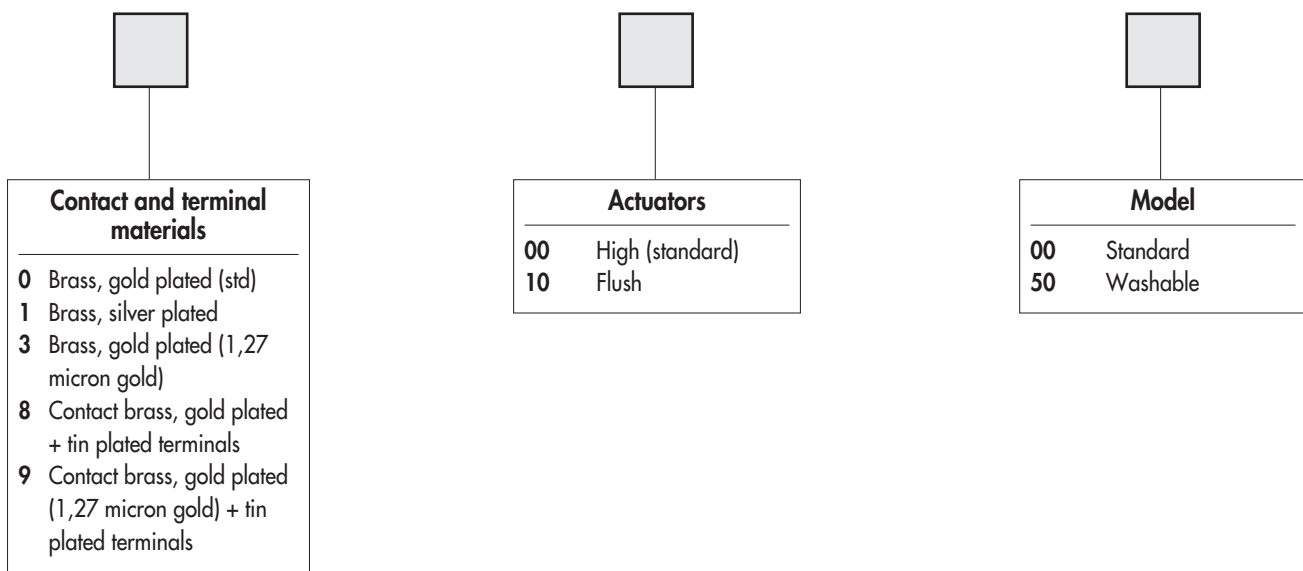
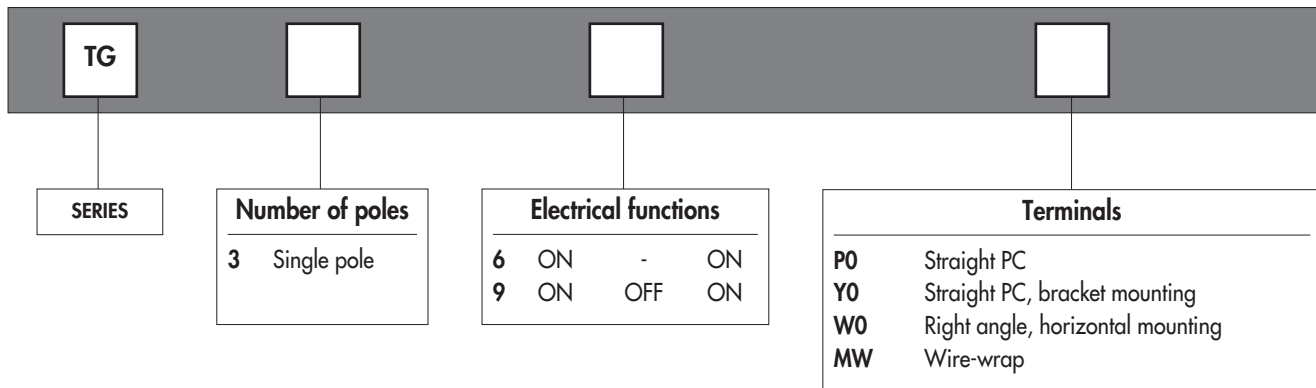


TG SERIES

SUBMINIATURE SLIDE SWITCHES

Overview and specifications



SPECIFICATIONS
<ul style="list-style-type: none"> • Current/voltage rating with resistive load : <ul style="list-style-type: none"> - Gold plated contacts : 0,4VA 20V max. AC or DC. - Silver plated contacts : 0,5A 48V max. AC or DC • Contact resistance : 20 mΩ max. • Insulation resistance : 1.000 MΩ min. at 500VDC • Dielectric strength : 1.000 Vrms 50 Hz min. between terminals and frame 500 Vrms 50 Hz min. between terminals • Electrical life at full load : <ul style="list-style-type: none"> 2 position switches : 60.000 cycles 3 position switches : 30.000 cycles • Travel : 2,60 mm (.102) • Operating temperature : -30°C to +85°C • Cleaning : solvents or water + detergent • Wave soldering : 260°C - 5 sec. max. • Packaging unit : 100 pieces, except for models with right angle terminals (50 pieces)

MATERIALS
<ul style="list-style-type: none"> • Case : flame retardant thermoplastic • Actuator : thermoplastic • Ground plate and bracket : brass, tin plated • Contacts and terminals : see above • Rubber seal : silicone, translucent • Terminal seal : epoxy

Dimensions : First dimensions are in mm while inches are shown as bracketted numbers.

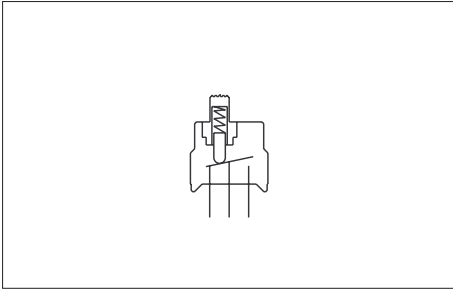


Packaging unit : 100 pieces

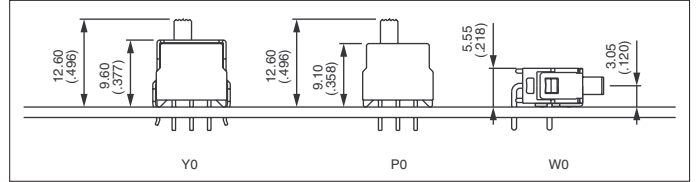
TG SERIES

SUBMINIATURE SLIDE SWITCHES

Standard or washable

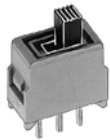


- Straight PC, right angle or wire-wrap terminals
- Single pole
- The silicone rubber seal can be removed after cleaning.



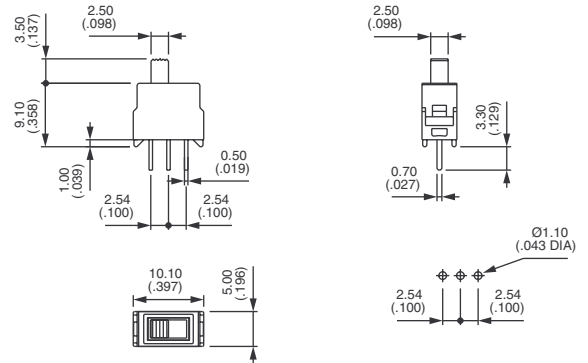
To complete the following part numbers, refer to "Overview" and replace the • symbol with one of the options proposed under "Contact and terminal materials".

Straight PC terminals - standard model



TG36P0•0000
TG39P0•0000

ON - ON
ON OFF ON

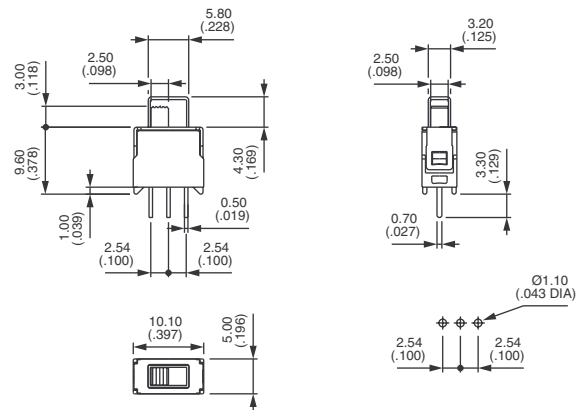


Straight PC terminals - washable model



TG36P0•0050
TG39P0•0050

ON - ON
ON OFF ON

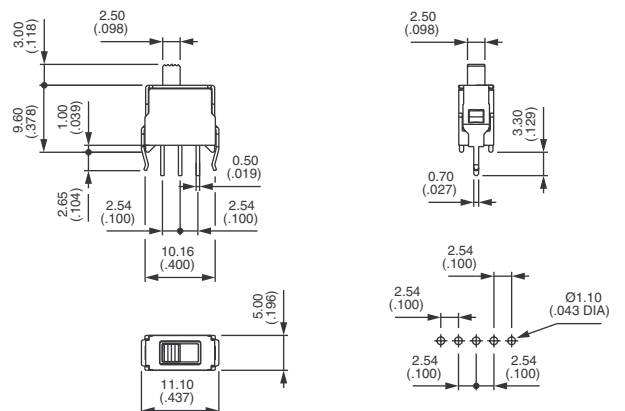


Straight terminals - bracket mounting - standard model



TG36Y0•0000
TG39Y0•0000

ON - ON
ON OFF ON

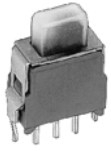


TG SERIES

SUBMINIATURE SLIDE SWITCHES

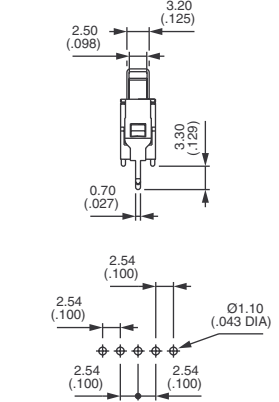
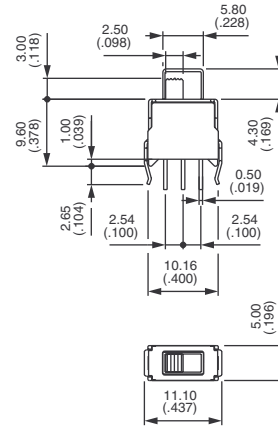
Standard or washable

Straight terminals - bracket mounting - washable model



TG36Y0•0050
TG39Y0•0050

ON - ON
ON OFF ON

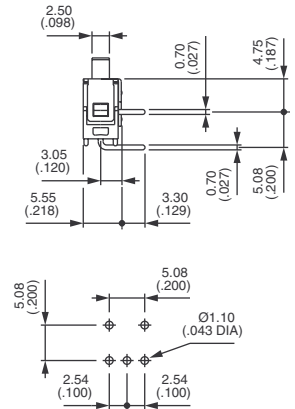
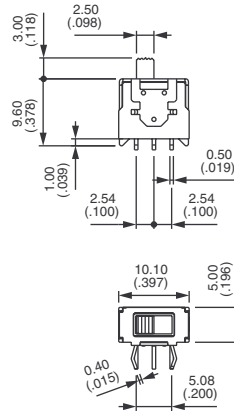


Right angle terminals - horizontal mounting - standard model



TG36W0•0000
TG39W0•0000

ON - ON
ON OFF ON

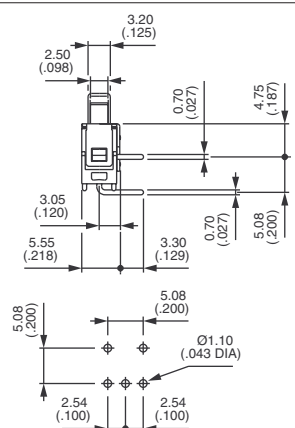
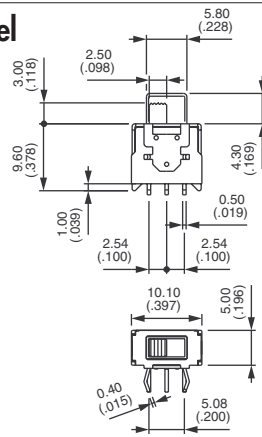


Right angle terminals - horizontal mounting - washable model



TG36W0•0050
TG39W0•0050

ON - ON
ON OFF ON



OTHER CONFIGURATIONS

MW Wire-wrap terminals

10 Flush actuator

