

Ultrafast rectifier PDP energy recovery

Datasheet – production data

Features

- Ultrafast recovery allowing high sustain frequency
- Decrease charge evacuation time in the inductance
- Minimize switching-on and total power losses
- Increase luminous efficiency and brightness
- Soft and noise-free recovery
- High surge capability
- High junction temperature

Description

The STTH60P03SW is an ultrafast recovery power rectifier dedicated to energy recovery in PDP application.

The key parameters of the D_{ERC} diode for the energy recovery circuit have been optimized to decrease power losses.

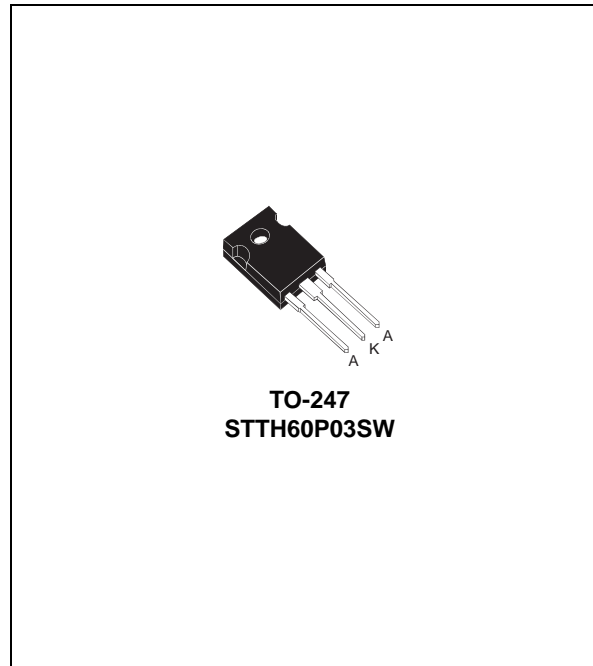


Table 1. Device summary

Symbol	Value
$I_{F(AV)}$	60 A
V_{RRM}	300 V
V_{FP} (typ)	2.5 V
I_{RM} (typ)	6 A
T_j	175 °C
V_F (typ)	0.9 V

1 Characteristics

Table 2. Absolute ratings (limiting values)

Symbol	Parameter	Value	Unit	
V_{RRM}	Repetitive peak reverse voltage	300	V	
$I_{F(RMS)}$	Forward rms current	80	A	
$I_{F(AV)}$	Average forward current	60	A	
I_{FSM}	Surge non repetitive forward current	$t_p = 10$ ms Sinusoidal	250	A
I_{FRM}	Repetitive peak forward current	$F = 200$ kHz, $t_p = 500$ ns Sinusoidal, $T_C = 155$ °C	150	A
T_{stg}	Storage temperature range	-65 to +175	°C	
T_j	Maximum operating junction temperature	175	°C	

Table 3. Thermal parameters

Symbol	Parameter	Value	Unit
$R_{th(j-c)}$	Junction to case	0.8	°C/W
$Z_{th(j-c)}$	Transient thermal resistance at 1 μ s	0.002	°C/W

Table 4. Static electrical characteristics

Symbol	Parameter	Test conditions	Min.	Typ	Max.	Unit
$I_R^{(1)}$	Reverse leakage current	$T_j = 25$ °C	$V_R = 0.7 \times V_{RRM}$		100	μ A
		$T_j = 125$ °C		0.1	1	mA
$V_F^{(2)}$	Forward voltage drop	$T_j = 25$ °C	$I_F = 30$ A		1.5	V
		$T_j = 125$ °C		0.9	1.15	

1. Pulse test: $t_p = 5$ ms, $\delta < 2\%$

2. Pulse test: $t_p = 380$ μ s, $\delta < 2\%$

To evaluate the conduction losses use the following equation:

$$P = 0.88 \times I_{F(AV)} + 0.009 I_{F(RMS)}^2$$

Table 5. Switching characteristics

Symbol	Parameter	Test conditions	Min.	Typ	Max.	Unit
I_{RM}	Reverse recovery current	$T_j = 100$ °C $I_F = 60$ A, $V_R = 100$ V $di_F/dt = 200$ A/ μ s		6	7.5	A
S_{factor}	Softness factor		0.5		-	
V_{FP}	Peak forward voltage	$T_j = 25$ °C $I_F = 60$ A, $di_F/dt = 400$ A/ μ s		2.5	3.5	V

Figure 1. Forward voltage drop versus forward current

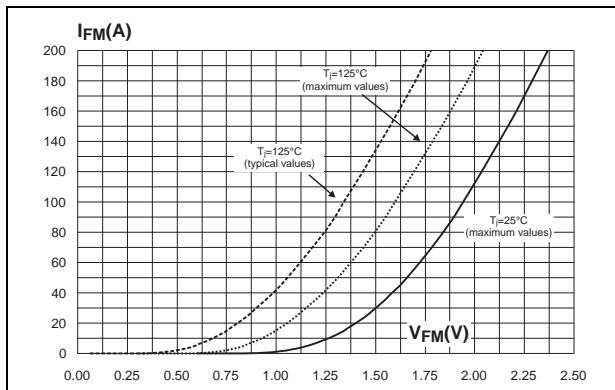


Figure 2. Relative variation of thermal impedance junction to case versus pulse duration

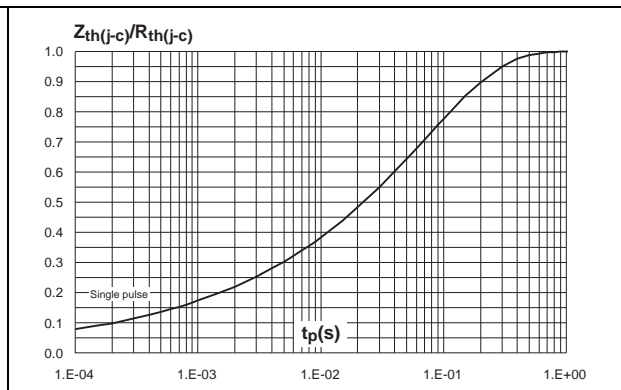


Figure 3. Peak reverse recovery current versus di_F/dt (typical values)

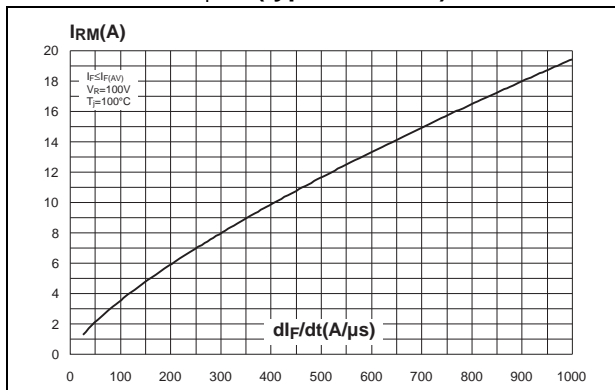


Figure 4. Reverse recovery time versus di_F/dt (typical values)

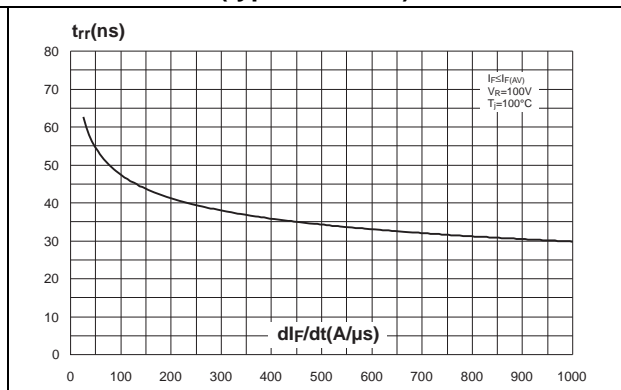


Figure 5. Reverse recovery softness factor versus di_F/dt (typical values)

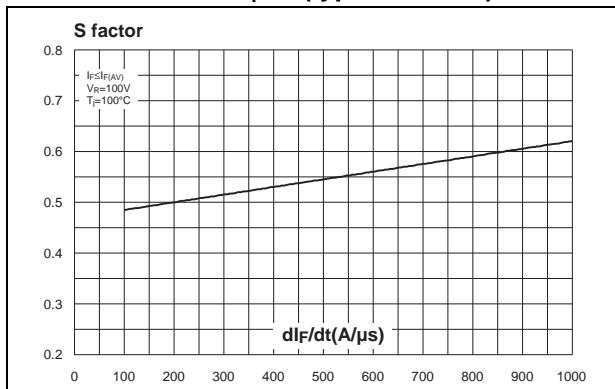


Figure 6. Relative variations of dynamic parameters versus junction temperature

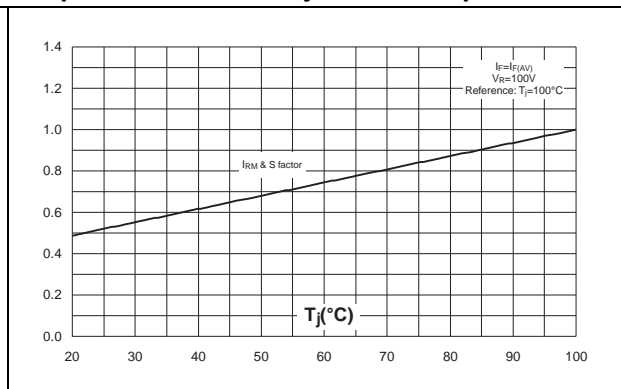


Figure 7. Transient peak forward voltage versus di_F/dt (typical values)

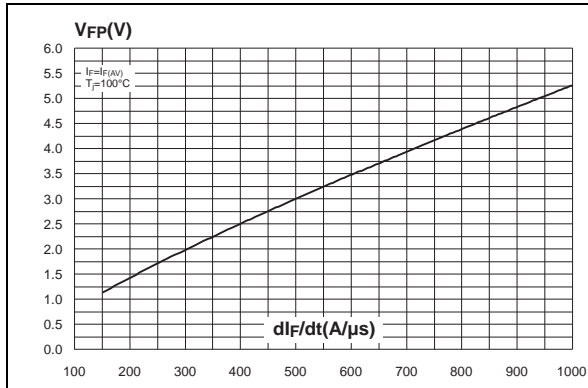


Figure 8. Forward recovery time versus di_F/dt (typical values)

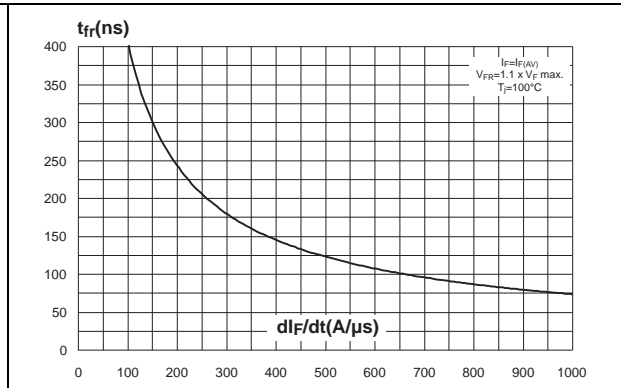
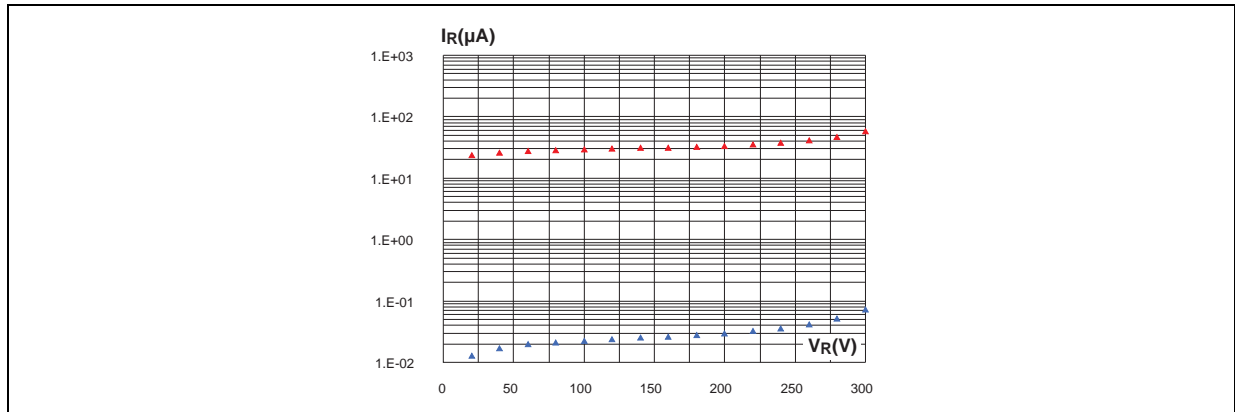


Figure 9. Reverse leakage current versus reverse voltage



2 Application information

Figure 10. Application characteristics

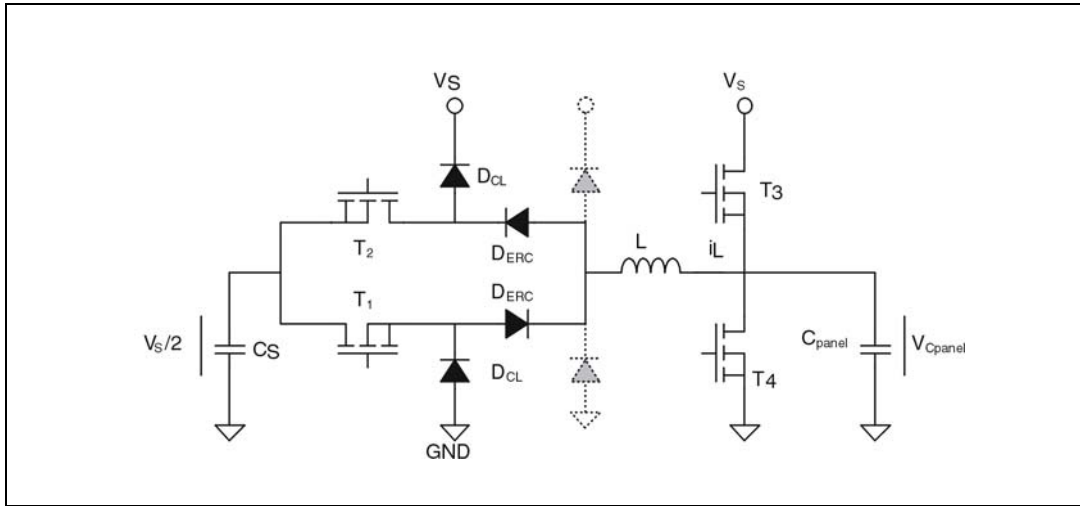
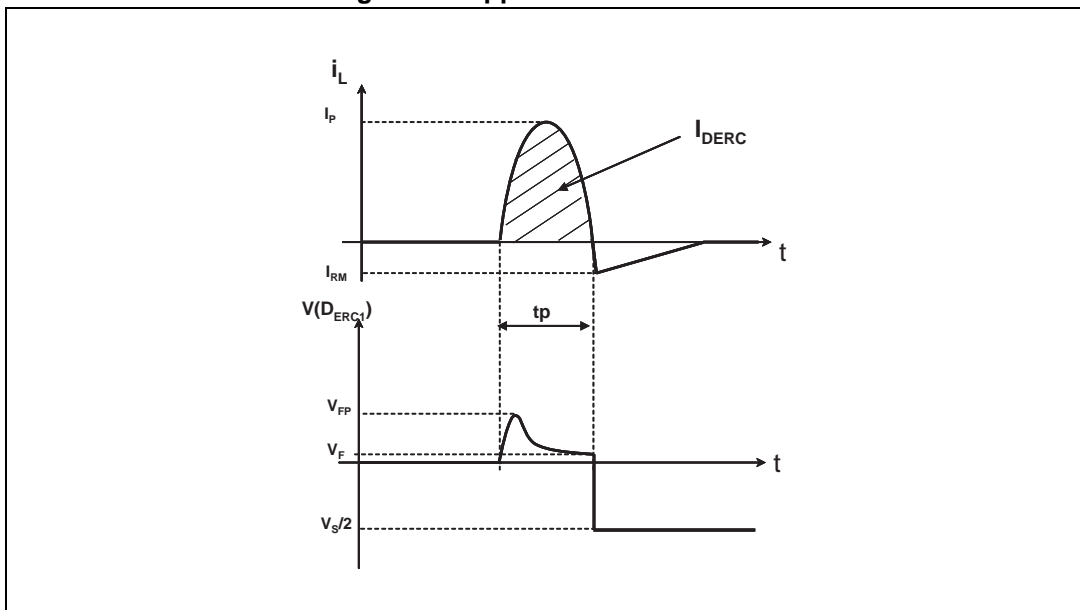


Figure 11. Application waveforms



3 Package information

- Epoxy meets UL94, V0
- Cooling method: by conduction (C)
- Recommended torque value: 0.5 N·m
- Maximum torque value: 1.0 N·m

In order to meet environmental requirements, ST offers these devices in different grades of ECOPACK® packages, depending on their level of environmental compliance. ECOPACK® specifications, grade definitions and product status are available at: www.st.com. ECOPACK® is an ST trademark.

Figure 12. TO-247 dimension definitions

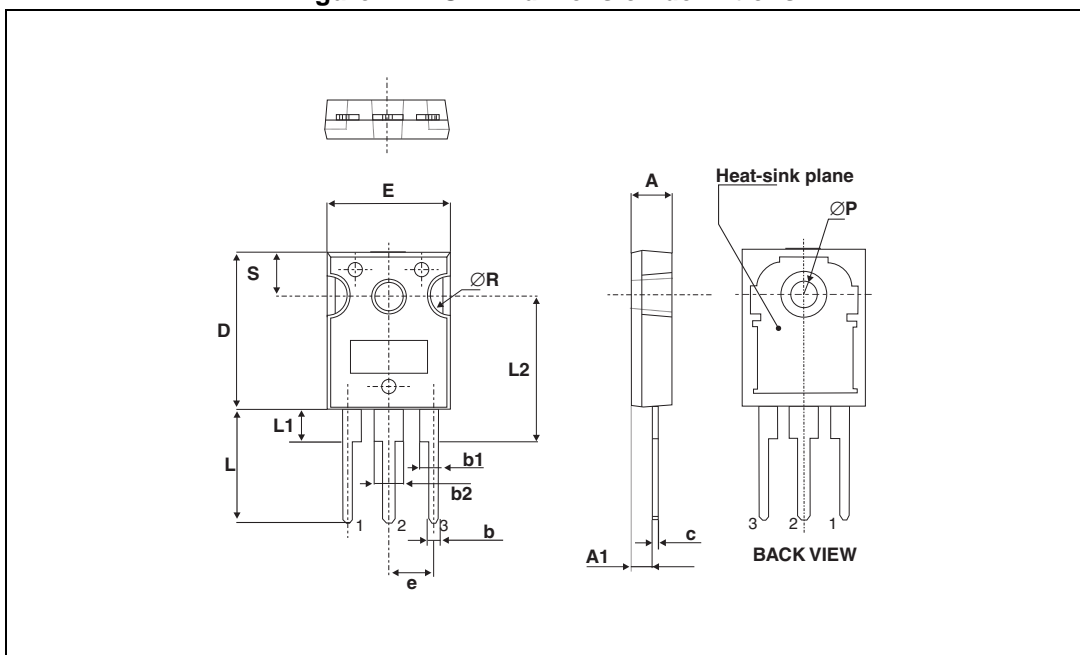


Table 6. TO-247 dimension values

Ref.	Dimensions					
	Millimeters			Inches		
	Min.	Typ.	Max.	Min.	Typ	Max.
A	4.85		5.15	0.191		0.203
A1	2.20		2.60	0.086		0.102
b	1.00		1.40	0.039		0.055
b1	2.00		2.40	0.078		0.094
b2	3.00		3.40	0.118		0.133
c	0.40		0.80	0.015		0.031
D ⁽¹⁾	19.85		20.15	0.781		0.793
E	15.45		15.75	0.608		0.620
e	5.30	5.45	5.60	0.209	0.215	0.220
L	14.20		14.80	0.559		0.582
L1	3.70		4.30	0.145		0.169
L2	18.50 typ.			0.728 typ.		
∅P ⁽²⁾	3.55		3.65	0.139		0.143
∅R	4.50		5.50	0.177		0.217
S	5.30	5.50	5.70	0.209	0.216	0.224

1. Dimension D plus gate protrusion does not exceed 20.5 mm.
2. Resin thickness around the mounting hole is not less than 0.9 mm.

4 Ordering information

Table 7. Ordering information

Ordering type	Marking	Package	Weight	Base qty	Delivery mode
STTH60P03SW	STTH60P03SW	TO-247	4.46 g	30	Tube

5 Revision history

Table 8. Document revision history

Date	Revision	Changes
04-Nov-2004	1	First issue.
10-Jan-2005	2	Minor layout update. No content change.
04-03-2005	3	Table 7 on page 5: base quantity delivery from 50 to 30.
19-Mar-2013	4	Added ECOPACK statement.

Please Read Carefully:

Information in this document is provided solely in connection with ST products. STMicroelectronics NV and its subsidiaries ("ST") reserve the right to make changes, corrections, modifications or improvements, to this document, and the products and services described herein at any time, without notice.

All ST products are sold pursuant to ST's terms and conditions of sale.

Purchasers are solely responsible for the choice, selection and use of the ST products and services described herein, and ST assumes no liability whatsoever relating to the choice, selection or use of the ST products and services described herein.

No license, express or implied, by estoppel or otherwise, to any intellectual property rights is granted under this document. If any part of this document refers to any third party products or services it shall not be deemed a license grant by ST for the use of such third party products or services, or any intellectual property contained therein or considered as a warranty covering the use in any manner whatsoever of such third party products or services or any intellectual property contained therein.

UNLESS OTHERWISE SET FORTH IN ST'S TERMS AND CONDITIONS OF SALE ST DISCLAIMS ANY EXPRESS OR IMPLIED WARRANTY WITH RESPECT TO THE USE AND/OR SALE OF ST PRODUCTS INCLUDING WITHOUT LIMITATION IMPLIED WARRANTIES OF MERCHANTABILITY, FITNESS FOR A PARTICULAR PURPOSE (AND THEIR EQUIVALENTS UNDER THE LAWS OF ANY JURISDICTION), OR INFRINGEMENT OF ANY PATENT, COPYRIGHT OR OTHER INTELLECTUAL PROPERTY RIGHT.

ST PRODUCTS ARE NOT AUTHORIZED FOR USE IN WEAPONS. NOR ARE ST PRODUCTS DESIGNED OR AUTHORIZED FOR USE IN: (A) SAFETY CRITICAL APPLICATIONS SUCH AS LIFE SUPPORTING, ACTIVE IMPLANTED DEVICES OR SYSTEMS WITH PRODUCT FUNCTIONAL SAFETY REQUIREMENTS; (B) AERONAUTIC APPLICATIONS; (C) AUTOMOTIVE APPLICATIONS OR ENVIRONMENTS, AND/OR (D) AEROSPACE APPLICATIONS OR ENVIRONMENTS. WHERE ST PRODUCTS ARE NOT DESIGNED FOR SUCH USE, THE PURCHASER SHALL USE PRODUCTS AT PURCHASER'S SOLE RISK, EVEN IF ST HAS BEEN INFORMED IN WRITING OF SUCH USAGE, UNLESS A PRODUCT IS EXPRESSLY DESIGNATED BY ST AS BEING INTENDED FOR "AUTOMOTIVE, AUTOMOTIVE SAFETY OR MEDICAL" INDUSTRY DOMAINS ACCORDING TO ST PRODUCT DESIGN SPECIFICATIONS. PRODUCTS FORMALLY ESCC, QML OR JAN QUALIFIED ARE DEEMED SUITABLE FOR USE IN AEROSPACE BY THE CORRESPONDING GOVERNMENTAL AGENCY.

Resale of ST products with provisions different from the statements and/or technical features set forth in this document shall immediately void any warranty granted by ST for the ST product or service described herein and shall not create or extend in any manner whatsoever, any liability of ST.

ST and the ST logo are trademarks or registered trademarks of ST in various countries.

Information in this document supersedes and replaces all information previously supplied.

The ST logo is a registered trademark of STMicroelectronics. All other names are the property of their respective owners.

© 2013 STMicroelectronics - All rights reserved

STMicroelectronics group of companies

Australia - Belgium - Brazil - Canada - China - Czech Republic - Finland - France - Germany - Hong Kong - India - Israel - Italy - Japan - Malaysia - Malta - Morocco - Philippines - Singapore - Spain - Sweden - Switzerland - United Kingdom - United States of America

www.st.com



Mouser Electronics

Authorized Distributor

Click to View Pricing, Inventory, Delivery & Lifecycle Information:

[STMicroelectronics:](#)

[STTH60P03SW](#)