

FEATURES

High Speed:

- 50 MHz Unity Gain Bandwidth
- 350 V/ μ s Slew Rate
- 70 ns Settling Time to 0.01%

Low Power:

- 7.5 mA Max Power Supply Current Per Amp

Easy to Use:

- Drives Unlimited Capacitive Loads
- 50 mA Min Output Current Per Amplifier
- Specified for +5 V, \pm 5 V and \pm 15 V Operation
- 2.0 V p-p Output Swing into a 150 Ω Load ($V_S = +5$ V)

Good Video Performance

- Differential Gain & Phase Error of 0.07% & 0.11°

Excellent DC Performance:

- 2.0 mV Max Input Offset Voltage

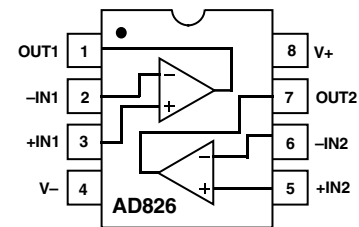
APPLICATIONS

- Unity Gain ADC/DAC Buffer
- Cable Drivers
- 8- and 10-Bit Data Acquisition Systems
- Video Line Driver
- Active Filters

PRODUCT DESCRIPTION

The AD826 is a dual, high speed voltage feedback op amp. It is ideal for use in applications which require unity gain stability and high output drive capability, such as buffering and cable driving. The 50 MHz bandwidth and 350 V/ μ s slew rate make the AD826 useful in many high speed applications including: video, CATV, copiers, LCDs, image scanners and fax machines.

CONNECTION DIAGRAM 8-Lead Plastic Mini-DIP and SO Package



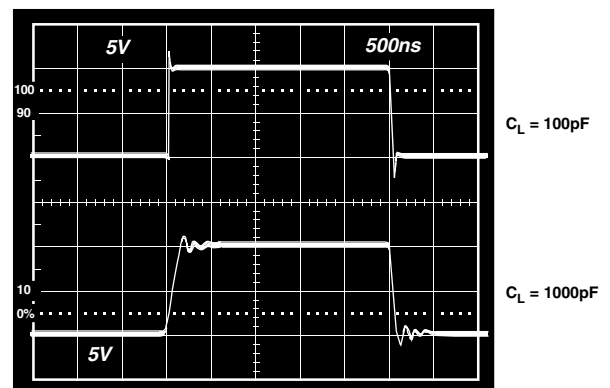
The AD826 features high output current drive capability of 50 mA min per amp, and is able to drive unlimited capacitive loads. With a low power supply current of 15 mA max for both amplifiers, the AD826 is a true general purpose operational amplifier.

The AD826 is ideal for power sensitive applications such as video cameras and portable instrumentation. The AD826 can operate from a single +5 V supply, while still achieving 25 MHz of bandwidth. Furthermore the AD826 is fully specified from a single +5 V to \pm 15 V power supplies.

The AD826 excels as an ADC/DAC buffer or active filter in data acquisition systems and achieves a settling time of 70 ns to 0.01%, with a low input offset voltage of 2 mV max. The AD826 is available in small 8-lead plastic mini-DIP and SO packages.



Driving a Large Capacitive Load



REV. C

Information furnished by Analog Devices is believed to be accurate and reliable. However, no responsibility is assumed by Analog Devices for its use, nor for any infringements of patents or other rights of third parties which may result from its use. No license is granted by implication or otherwise under any patent or patent rights of Analog Devices.

AD826* Product Page Quick Links

Last Content Update: 11/01/2016

Comparable Parts

View a parametric search of comparable parts

Evaluation Kits

- Universal Evaluation Board for Dual High Speed Operational Amplifiers

Documentation

Application Notes

- AN-356: User's Guide to Applying and Measuring Operational Amplifier Specifications
- AN-402: Replacing Output Clamping Op Amps with Input Clamping Amps
- AN-417: Fast Rail-to-Rail Operational Amplifiers Ease Design Constraints in Low Voltage High Speed Systems
- AN-581: Biasing and Decoupling Op Amps in Single Supply Applications
- AN-649: Using the Analog Devices Active Filter Design Tool

Data Sheet

- AD826: High Speed, Low Power Dual Operational Amplifier Data Sheet

User Guides

- UG-128: Universal Evaluation Board for Dual High Speed Op Amps in SOIC Packages

Tools and Simulations

- Analog Filter Wizard
- Analog Photodiode Wizard
- Power Dissipation vs Die Temp
- VRMS/dBm/dBu/dBV calculators
- AD826 SPICE Macro-Model

Reference Materials

Product Selection Guide

- High Speed Amplifiers Selection Table

Tutorials

- MT-032: Ideal Voltage Feedback (VFB) Op Amp
- MT-033: Voltage Feedback Op Amp Gain and Bandwidth
- MT-047: Op Amp Noise
- MT-048: Op Amp Noise Relationships: 1/f Noise, RMS Noise, and Equivalent Noise Bandwidth
- MT-049: Op Amp Total Output Noise Calculations for Single-Pole System
- MT-050: Op Amp Total Output Noise Calculations for Second-Order System
- MT-052: Op Amp Noise Figure: Don't Be Misled
- MT-053: Op Amp Distortion: HD, THD, THD + N, IMD, SFDR, MTPR
- MT-056: High Speed Voltage Feedback Op Amps
- MT-058: Effects of Feedback Capacitance on VFB and CFB Op Amps
- MT-060: Choosing Between Voltage Feedback and Current Feedback Op Amps

Design Resources

- AD826 Material Declaration
- PCN-PDN Information
- Quality And Reliability
- Symbols and Footprints

Discussions

View all AD826 EngineerZone Discussions

Sample and Buy

Visit the product page to see pricing options

Technical Support

Submit a technical question or find your regional support number

* This page was dynamically generated by Analog Devices, Inc. and inserted into this data sheet. Note: Dynamic changes to the content on this page does not constitute a change to the revision number of the product data sheet. This content may be frequently modified.

AD826—SPECIFICATIONS (@ T_A = +25°C, unless otherwise noted)

Parameter	Conditions	V _S	Min	Typ	Max	Unit
DYNAMIC PERFORMANCE						
Unity Gain Bandwidth		±5 V	30	35		MHz
		±15 V	45	50		MHz
Bandwidth for 0.1 dB Flatness	Gain = +1	0, +5 V	25	29		MHz
		±5 V	10	20		MHz
		±15 V	25	55		MHz
Full Power Bandwidth ¹	V _{OUT} = 5 V p-p R _{LOAD} = 500 Ω	0, +5 V	10	20		MHz
		V _{OUT} = 20 V p-p R _{LOAD} = 1 kΩ	±5 V	15.9		MHz
Slew Rate	R _{LOAD} = 1 kΩ Gain = -1	±15 V		5.6		MHz
		±5 V	200	250		V/μs
		±15 V	300	350		V/μs
Settling Time to 0.1% to 0.01%	-2.5 V to +2.5 V 0 V-10 V Step, A _V = -1 -2.5 V to +2.5 V 0 V-10 V Step, A _V = -1	0, +5 V	150	200		V/μs
		±5 V		45		ns
		±15 V		45		ns
		±5 V		70		ns
		±15 V		70		ns
NOISE/HARMONIC PERFORMANCE						
Total Harmonic Distortion	F _C = 1 MHz	±15 V		-78		dB
Input Voltage Noise	f = 10 kHz	±5 V, ±15 V		15		nV/√Hz
Input Current Noise	f = 10 kHz	±5 V, ±15 V		1.5		pA/√Hz
Differential Gain Error (R ₁ = 150 Ω)	NTSC Gain = +2	±15 V		0.07	0.1	%
		±5 V		0.12	0.15	%
Differential Phase Error (R ₁ = 150 Ω)	NTSC Gain = +2	0, +5 V		0.15		%
		±15 V		0.11	0.15	Degrees
		±5 V		0.12	0.15	Degrees
		0, +5 V		0.15		Degrees
DC PERFORMANCE						
Input Offset Voltage	T _{MIN} to T _{MAX}	±5 V to ±15 V		0.5	2	mV
Offset Drift						3
Input Bias Current		±5 V, ±15 V		10		μV/°C
Input Offset Current	T _{MIN}			3.3	6.6	μA
	T _{MAX}				10	μA
Offset Current Drift	T _{MIN} to T _{MAX}	±5 V, ±15 V			4.4	μA
					25	300
Open-Loop Gain					500	nA
				0.3		nA/°C
Open-Loop Gain	V _{OUT} = ±2.5 V R _{LOAD} = 500 Ω	±5 V		2	4	V/mV
			T _{MIN} to T _{MAX}	1.5		V/mV
	R _{LOAD} = 150 Ω V _{OUT} = ±10 V	±15 V		1.5	3	V/mV
			R _{LOAD} = 1 kΩ	3.5	6	V/mV
	T _{MIN} to T _{MAX}		2	5	V/mV	
	V _{OUT} = ±7.5 V R _{LOAD} = 150 Ω (50 mA Output)	±15 V		2	4	V/mV
INPUT CHARACTERISTICS						
Input Resistance				300		kΩ
Input Capacitance				1.5		pF
Input Common-Mode Voltage Range		±5 V		+3.8	+4.3	V
				-2.7	-3.4	V
		±15 V		+13	+14.3	V
				-12	-13.4	V
		0, +5 V		+3.8	+4.3	V
				+1.2	+0.9	V
Common-Mode Rejection Ratio	V _{CM} = ±2.5 V, T _{MIN} -T _{MAX}	±5 V	80	100		dB
		±15 V	86	120		dB
		±15 V	80	100		dB

Parameter	Conditions	V _s	Min	Typ	Max	Unit
OUTPUT CHARACTERISTICS						
Output Voltage Swing	R _{LOAD} = 500 Ω	±5 V	3.3	3.8		±V
	R _{LOAD} = 150 Ω	±5 V	3.2	3.6		±V
	R _{LOAD} = 1 kΩ	±15 V	13.3	13.7		±V
	R _{LOAD} = 500 Ω	±15 V	12.8	13.4		±V
	R _{LOAD} = 500 Ω	0, +5 V	+1.5, +3.5			V
Output Current		±15 V	50			mA
		±5 V	50			mA
		0, +5 V	30			mA
Short-Circuit Current		±15 V		90		mA
Output Resistance	Open Loop			8		Ω
MATCHING CHARACTERISTICS						
Dynamic						
Crosstalk	f = 5 MHz	±15 V		-80		dB
Gain Flatness Match	G = +1, f = 40 MHz	±15 V		0.2		dB
Slew Rate Match	G = -1	±15 V		10		V/μs
DC						
Input Offset Voltage Match	T _{MIN} -T _{MAX}	±5 V to ±15 V		0.5	2	mV
Input Bias Current Match	T _{MIN} -T _{MAX}	±5 V to ±15 V		0.06	0.8	μA
Open-Loop Gain Match	V _O = ±10 V, R _{LOAD} = 1 kΩ, T _{MIN} -T _{MAX}	±15 V	0.15	0.01		mV/V
Common-Mode Rejection Ratio Match	V _{CM} = ±12 V, T _{MIN} -T _{MAX}	±15 V	80	100		dB
Power Supply Rejection Ratio Match	±5 V to ±15 V, T _{MIN} -T _{MAX}		80	100		dB
POWER SUPPLY						
Operating Range	Dual Supply		±2.5		±18	V
	Single Supply		+5		+36	V
Quiescent Current/Amplifier		±5 V		6.6	7.5	mA
	T _{MIN} to T _{MAX}	±5 V			7.5	mA
		±15 V			7.5	mA
	T _{MIN} to T _{MAX}	±15 V		6.8	7.5	mA
Power Supply Rejection Ratio	V _S = ±5 V to ±15 V, T _{MIN} to T _{MAX}		75	86		dB

NOTES

¹Full power bandwidth = slew rate/2 π V_{PEAK}.

Specifications subject to change without notice.

ABSOLUTE MAXIMUM RATINGS¹

Supply Voltage ±18 V

Internal Power Dissipation²

Plastic (N) See Derating Curves

Small Outline (R) See Derating Curves

Input Voltage (Common Mode) ±V_S

Differential Input Voltage ±6 V

Output Short Circuit Duration See Derating Curves

Storage Temperature Range (N, R) -65°C to +125°C

Operating Temperature Range -40°C to +85°C

Lead Temperature Range (Soldering 10 seconds) . . . +300°C

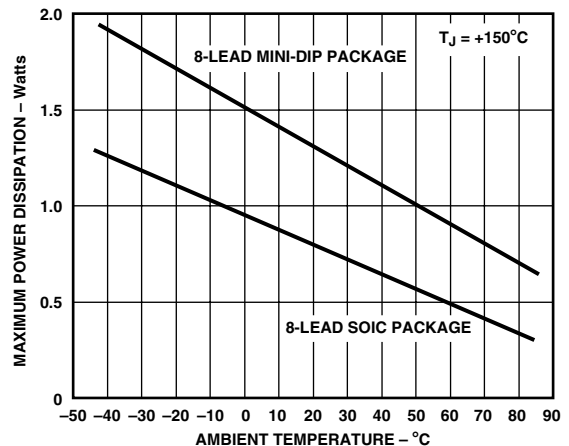
NOTES

¹Stresses above those listed under Absolute Maximum Ratings may cause permanent damage to the device. This is a stress rating only; functional operation of the device at these or any other conditions above those indicated in the operational section of this specification is not implied. Exposure to absolute maximum rating conditions for extended periods may affect device reliability.

²Specification is for device in free air: 8-lead plastic package, θ_{JA} = 100°C/watt; 8-lead SOIC package, θ_{JA} = 155°C/watt.

ESD SUSCEPTIBILITY

ESD (electrostatic discharge) sensitive device. Electrostatic charges as high as 4000 volts, which readily accumulate on the human body and on test equipment, can discharge without detection. Although the AD826 features proprietary ESD protection circuitry, permanent damage may still occur on these devices if they are subjected to high energy electrostatic discharges. Therefore, proper ESD precautions are recommended to avoid any performance degradation or loss of functionality.



Maximum Power Dissipation vs. Temperature for Different Package Types

AD826 – Typical Characteristics

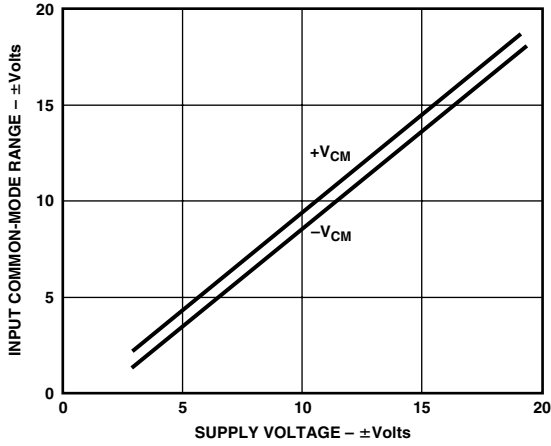


Figure 1. Common-Mode Voltage Range vs. Supply

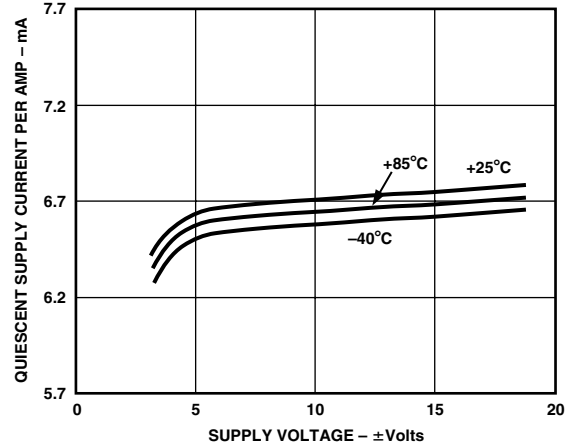


Figure 4. Quiescent Supply Current per Amp vs. Supply Voltage for Various Temperatures

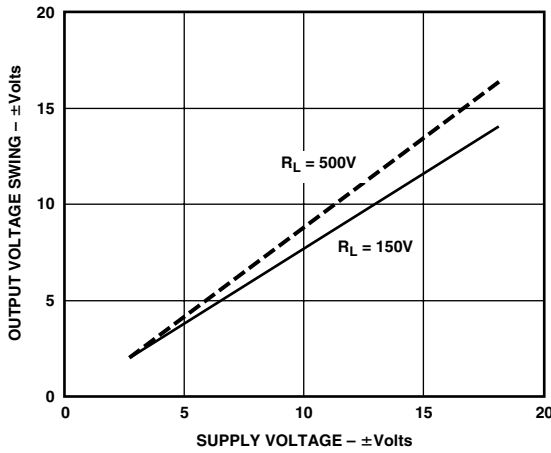


Figure 2. Output Voltage Swing vs. Supply

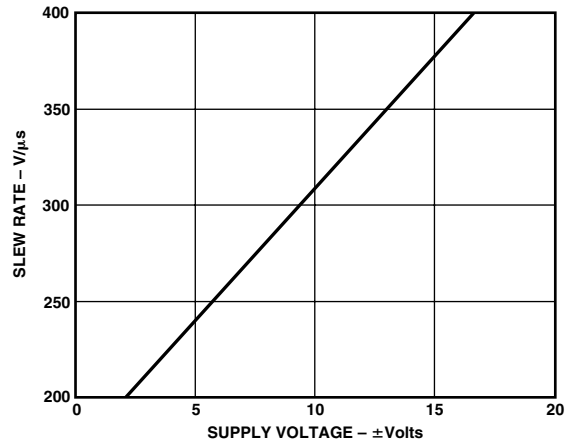


Figure 5. Slew Rate vs. Supply Voltage

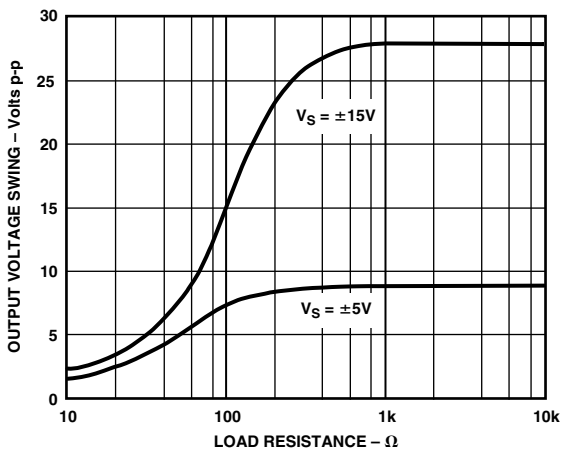


Figure 3. Output Voltage Swing vs. Load Resistance

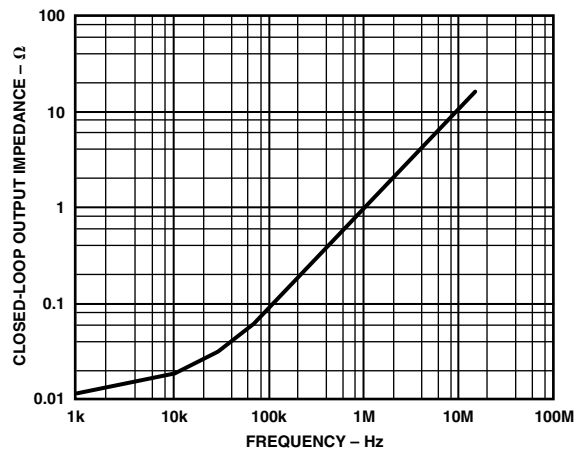


Figure 6. Closed-Loop Output Impedance vs. Frequency

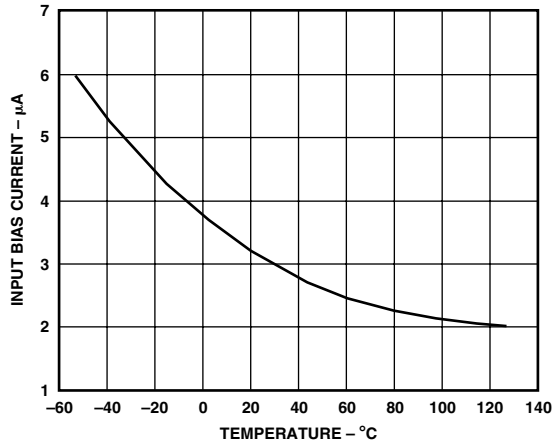


Figure 7. Input Bias Current vs. Temperature

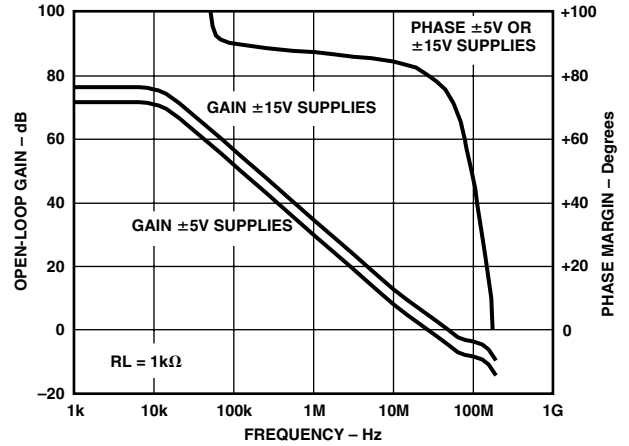


Figure 10. Open-Loop Gain and Phase Margin vs. Frequency

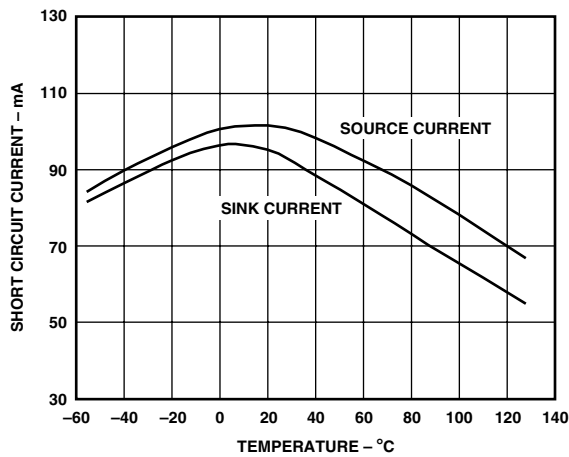


Figure 8. Short Circuit Current vs. Temperature

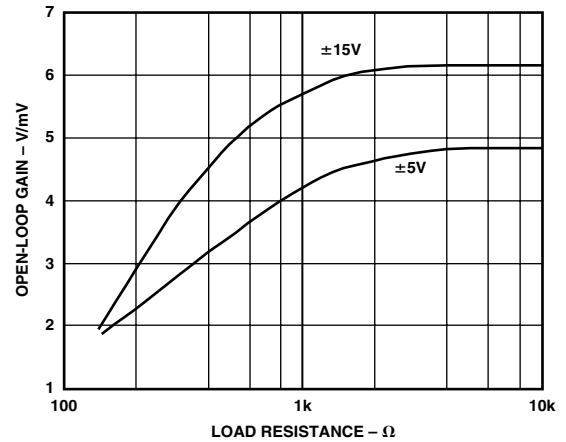


Figure 11. Open-Loop Gain vs. Load Resistance

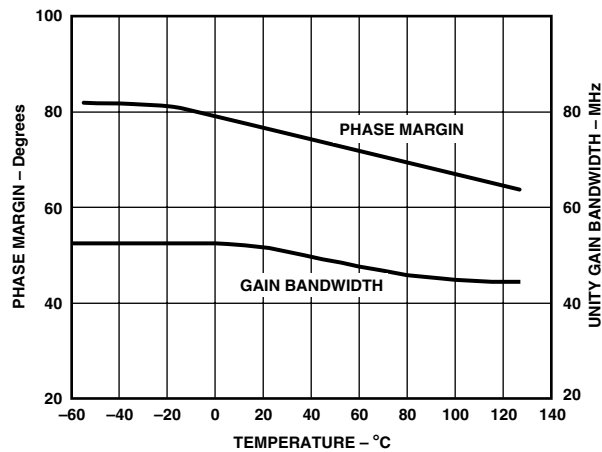


Figure 9. Unity Gain Bandwidth and Phase Margin vs. Temperature

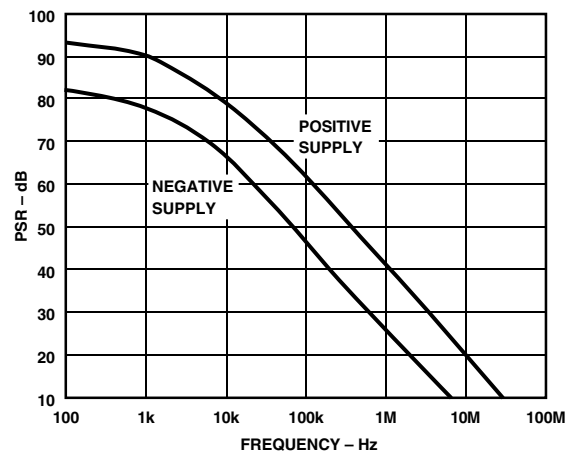


Figure 12. Power Supply Rejection vs. Frequency

AD826

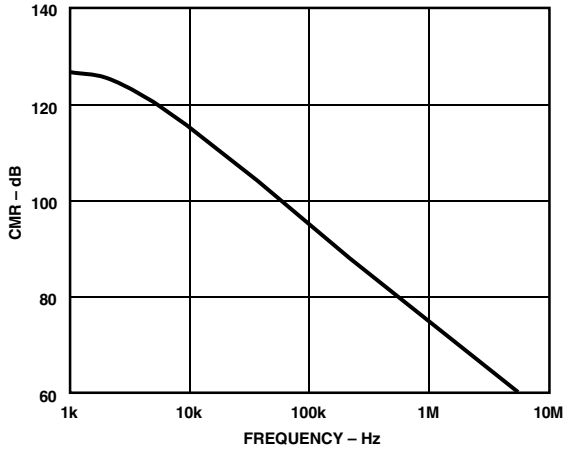


Figure 13. Common-Mode Rejection vs. Frequency

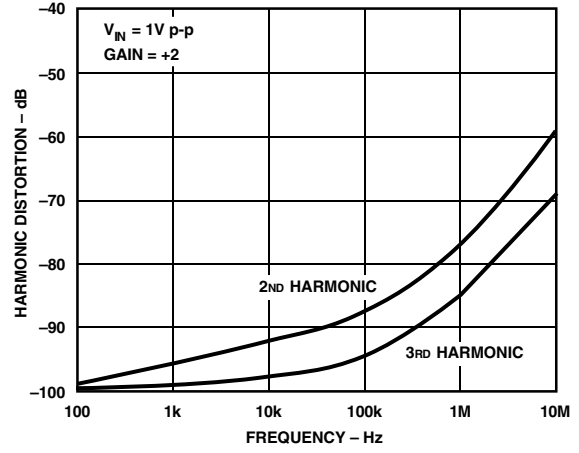


Figure 16. Harmonic Distortion vs. Frequency

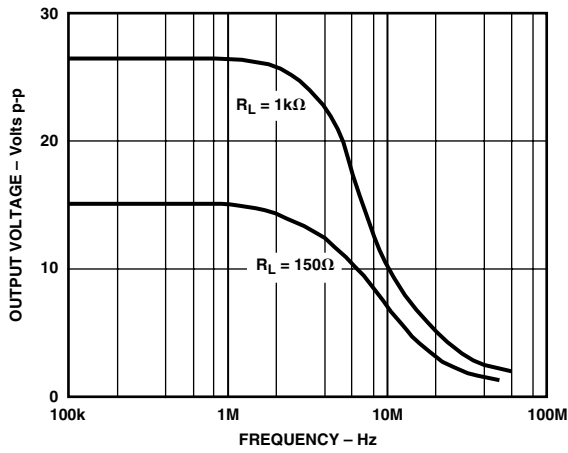


Figure 14. Large Signal Frequency Response

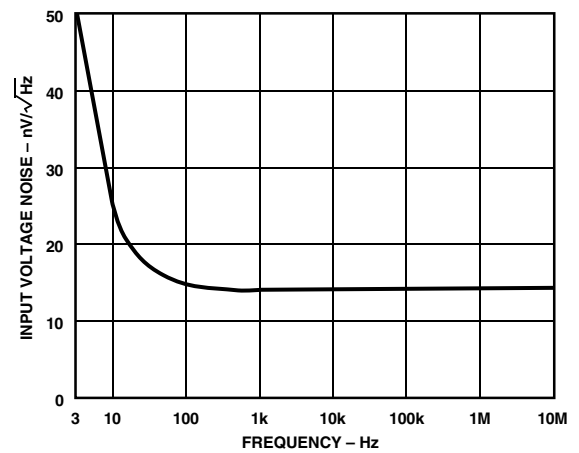


Figure 17. Input Voltage Noise Spectral Density

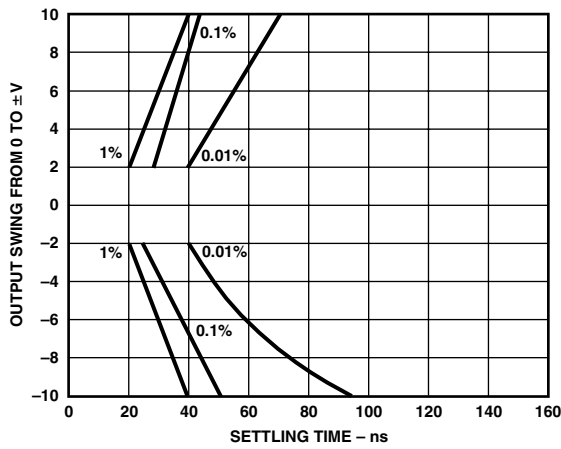


Figure 15. Output Swing and Error vs. Settling Time

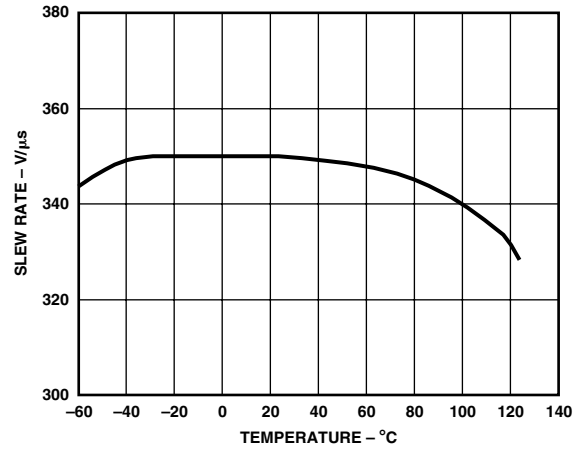


Figure 18. Slew Rate vs. Temperature

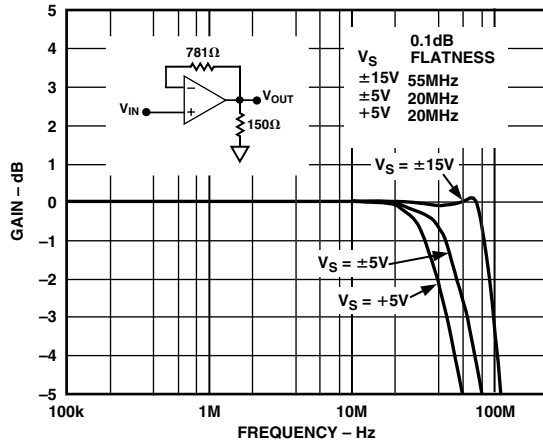


Figure 19. Closed-Loop Gain vs. Frequency

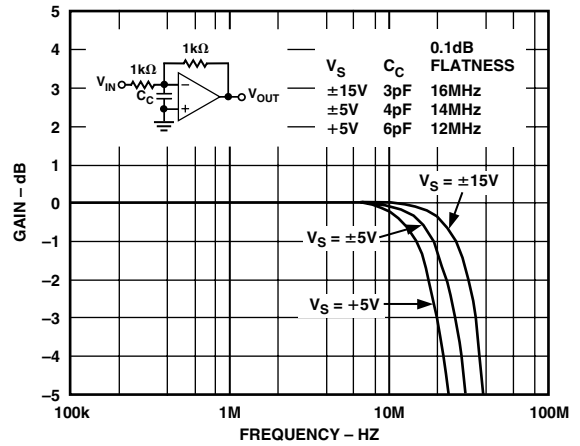


Figure 22. Closed-Loop Gain vs. Frequency, Gain = -1

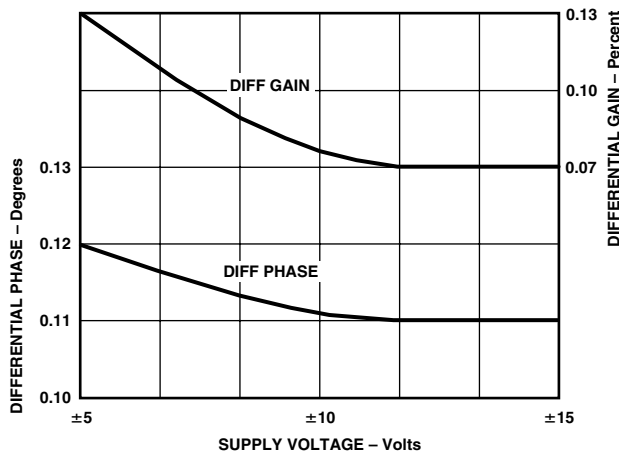


Figure 20. Differential Gain and Phase vs. Supply Voltage

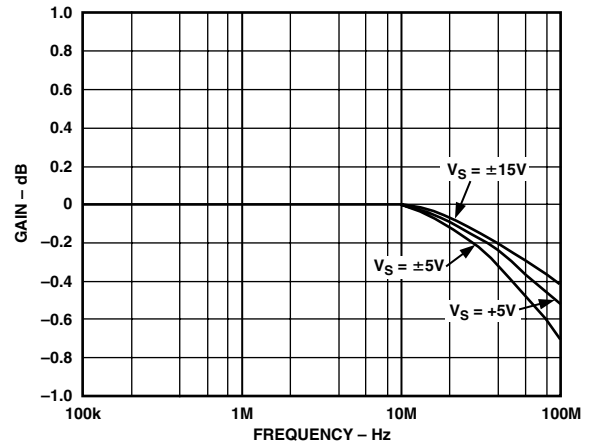


Figure 23. Gain Flatness Matching vs. Supply, G = +1

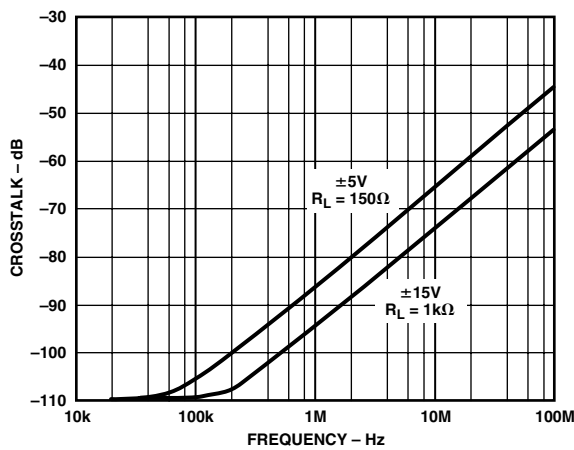
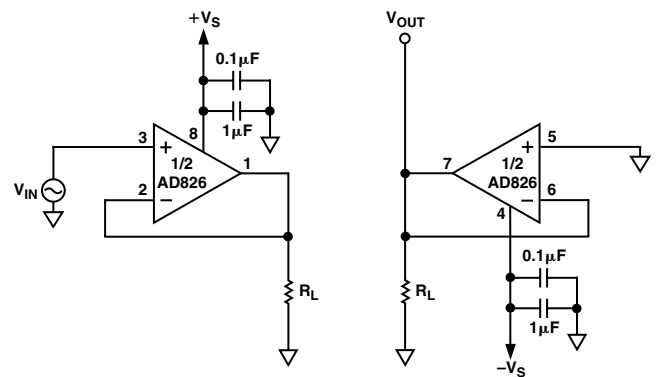


Figure 21. Crosstalk vs. Frequency



$R_L = 150\Omega$ FOR $\pm V_S = 5V$, $1k\Omega$ FOR $\pm V_S = 15V$
 USE GROUND PLANE
 PINOUT SHOWN IS FOR MINIDIP PACKAGE

Figure 24. Crosstalk Test Circuit

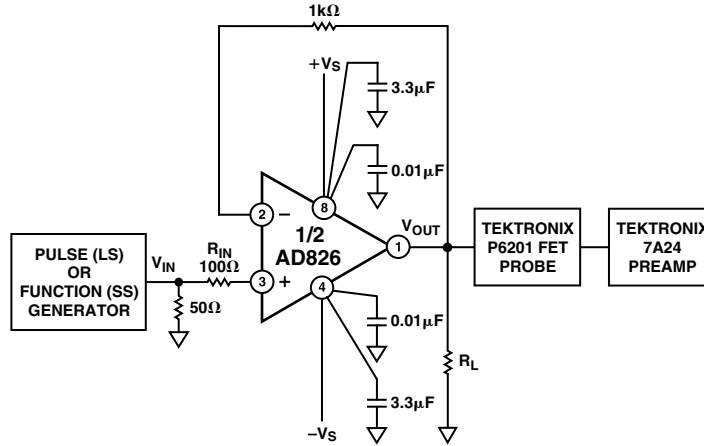


Figure 25. Noninverting Amplifier Configuration

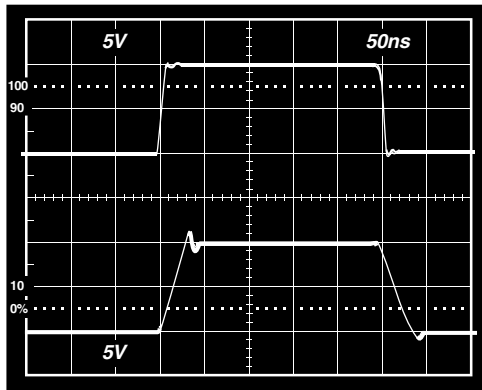


Figure 26. Noninverting Large Signal Pulse Response, $R_L = 1\text{ k}\Omega$

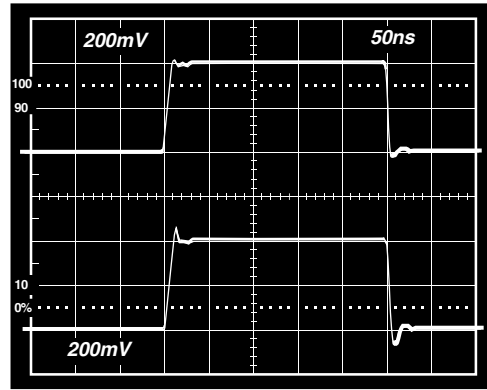


Figure 28. Noninverting Small Signal Pulse Response, $R_L = 1\text{ k}\Omega$

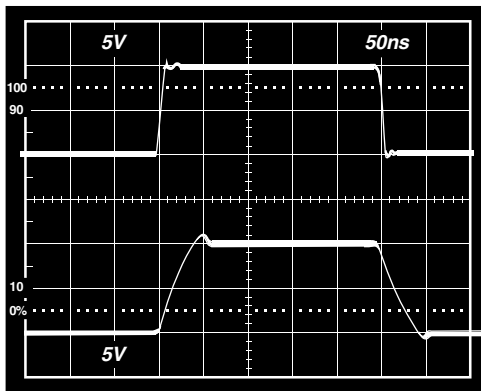


Figure 27. Noninverting Large Signal Pulse Response, $R_L = 150\ \Omega$

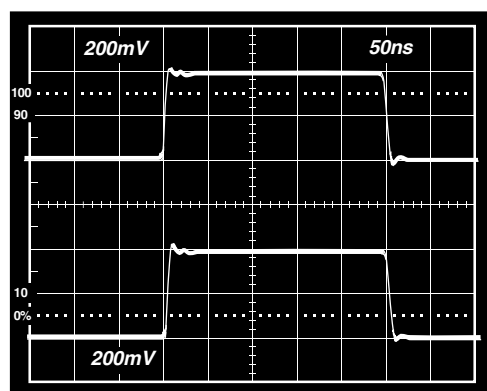


Figure 29. Noninverting Small Signal Pulse Response, $R_L = 150\ \Omega$

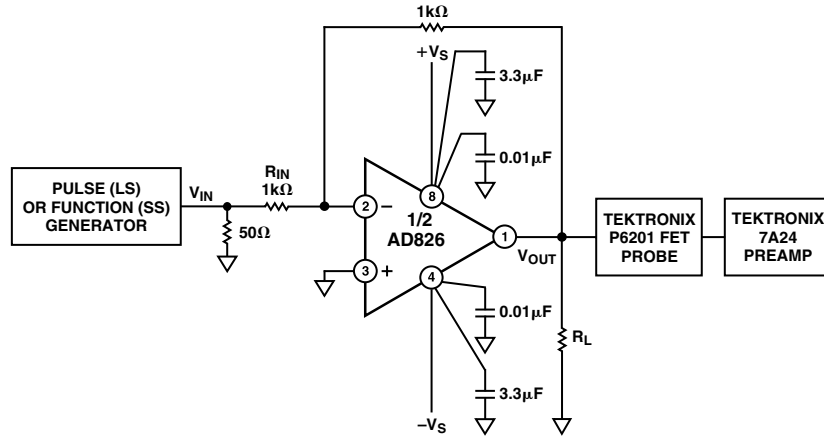


Figure 30. Inverting Amplifier Configuration

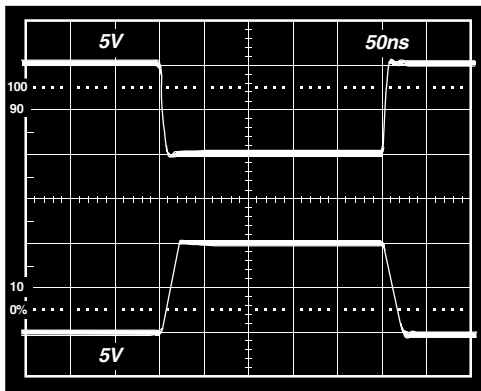


Figure 31. Inverting Large Signal Pulse Response, $R_L = 1\text{ k}\Omega$

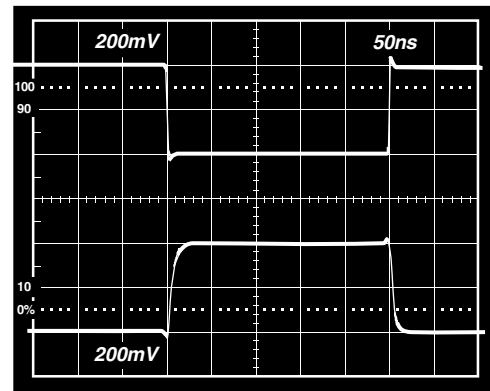


Figure 33. Inverting Small Signal Pulse Response, $R_L = 1\text{ k}\Omega$

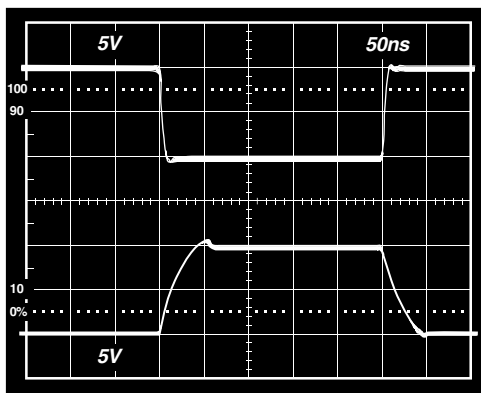


Figure 32. Inverting Large Signal Pulse Response, $R_L = 150\ \Omega$

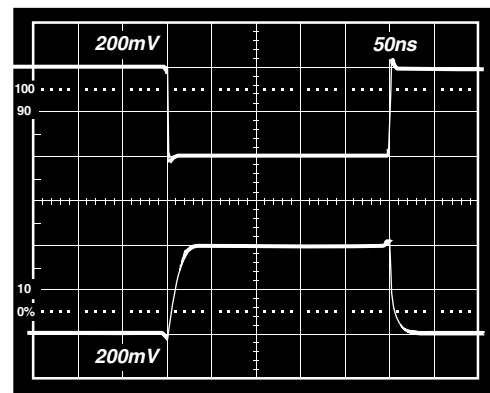


Figure 34. Inverting Small Signal Pulse Response, $R_L = 150\ \Omega$

AD826

THEORY OF OPERATION

The AD826 is a low cost, wide band, high performance dual operational amplifier which can drive heavy capacitive and resistive loads. It also achieves a constant slew rate, bandwidth and settling time over its entire specified temperature range.

The AD826 (Figure 35) consists of a degenerated NPN differential pair driving matched PNPs in a folded-cascode gain stage. The output buffer stage employs emitter followers in a class AB amplifier which delivers the necessary current to the load while maintaining low levels of distortion.

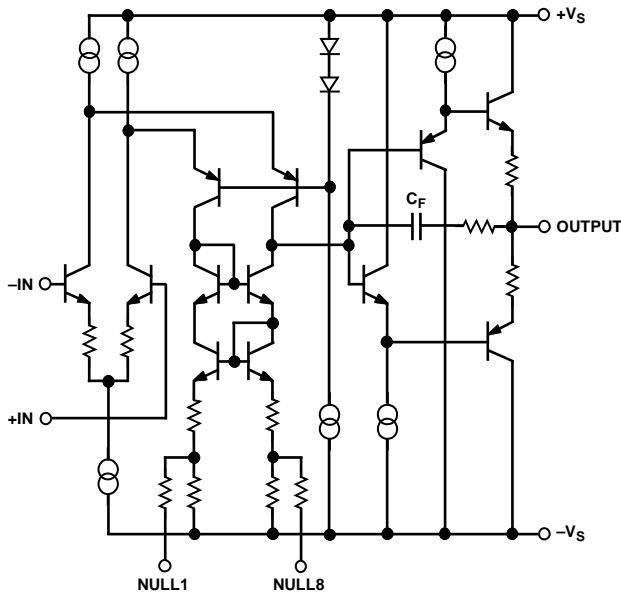


Figure 35. Simplified Schematic

The capacitor, C_F , in the output stage mitigates the effect of capacitive loads. With low capacitive loads, the gain from the compensation node to the output is very close to unity. In this case, C_F is bootstrapped and does not contribute to the overall compensation capacitance of the device. As the capacitive load is increased, a pole is formed with the output impedance of the output stage. This reduces the gain, and therefore, C_F is incompletely bootstrapped. Effectively, some fraction of C_F contributes to the overall compensation capacitance, reducing the unity gain bandwidth. As the load capacitance is further increased, the bandwidth continues to fall, maintaining the stability of the amplifier.

INPUT CONSIDERATIONS

An input protection resistor (R_{IN} in Figure 25) is required in circuits where the input to the AD826 will be subjected to transient or continuous overload voltages exceeding the ± 6 V maximum differential limit. This resistor provides protection for the input transistors by limiting their maximum base current.

For high performance circuits, it is recommended that a “balancing” resistor be used to reduce the offset errors caused by bias current flowing through the input and feedback resistors. The balancing resistor equals the parallel combination of R_{IN} and R_F and thus provides a matched impedance at each input terminal. The offset voltage error will then be reduced by more than an order of magnitude.

APPLYING THE AD826

The AD826 is a breakthrough dual amp that delivers precision and speed at low cost with low power consumption. The AD826 offers excellent static and dynamic matching characteristics, combined with the ability to drive heavy resistive and capacitive loads. As with all high frequency circuits, care should be taken to maintain overall device performance as well as their matching. The following items are presented as general design considerations.

Circuit Board Layout

Input and output runs should be laid out so as to physically isolate them from remaining runs. In addition, the feedback resistor of each amplifier should be placed away from the feedback resistor of the other amplifier, since this greatly reduces inter-amp coupling.

Choosing Feedback and Gain Resistors

In order to prevent the stray capacitance present at each amplifier’s summing junction from limiting its performance, the feedback resistors should be ≤ 1 k Ω . Since the summing junction capacitance may cause peaking, a small capacitor (1 pF–5pF) may be paralleled with R_F to neutralize this effect. Finally, sockets should be avoided, because of their tendency to increase interlead capacitance.

Power Supply Considerations

To ensure the proper operation of the AD826, connect the positive supply before the negative supply. Also, proper power supply decoupling is critical to preserve the integrity of high frequency signals. In carefully laid out designs, decoupling capacitors should be placed in close proximity to the supply pins, while their lead lengths should be kept to a minimum. These measures greatly reduce undesired inductive effects on the amplifier’s response.

Though two 0.1 μ F capacitors will typically be effective in decoupling the supplies, several capacitors of different values can be paralleled to cover a wider frequency range.

±SINGLE SUPPLY OPERATION

An exciting feature of the AD826 is its ability to perform well in a single supply configuration (see Figure 37). The AD826 is ideally suited for applications that require low power dissipation and high output current and those which need to drive large capacitive loads, such as high speed buffering and instrumentation.

Referring to Figure 36, careful consideration should be given to the proper selection of component values. The choices for this particular circuit are: $(R1 + R3) \parallel R2$ combine with $C1$ to form a low frequency corner of approximately 30 Hz.

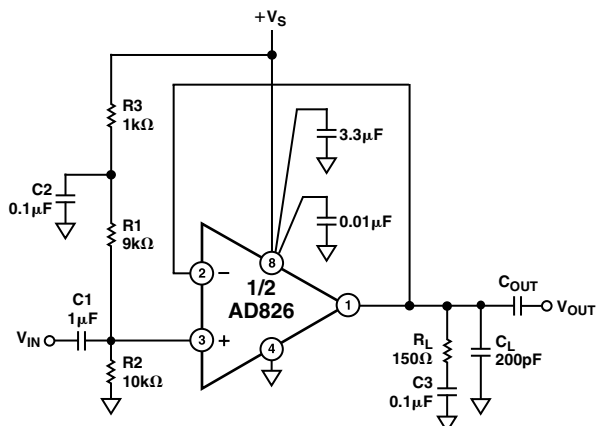


Figure 36. Single Supply Amplifier Configuration

$R3$ and $C2$ reduce the effect of the power supply changes on the output by low-pass filtering with a corner at $\frac{1}{2\pi R_3 C_2}$.

The values for R_L and C_L were chosen to demonstrate the AD826's exceptional output drive capability. In this configuration, the output is centered around 2.5 V. In order to eliminate the static dc current associated with this level, $C3$ was inserted in series with R_L .

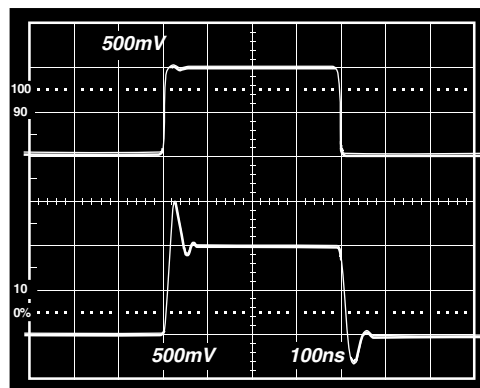


Figure 37. Single Supply Pulse Response, $G = +1$, $R_L = 150 \Omega$, $C_L = 200 \text{ pF}$

PARALLEL AMPS PROVIDE 100 mA TO LOAD

By taking advantage of the superior matching characteristics of the AD826, enhanced performance can easily be achieved by employing the circuit in Figure 38. Here, two identical cells are paralleled to obtain even higher load driving capability than that of a single amplifier (100 mA min guaranteed). $R1$ and $R2$ are included to limit current flow between amplifier outputs that would arise in the presence of any residual mismatch.

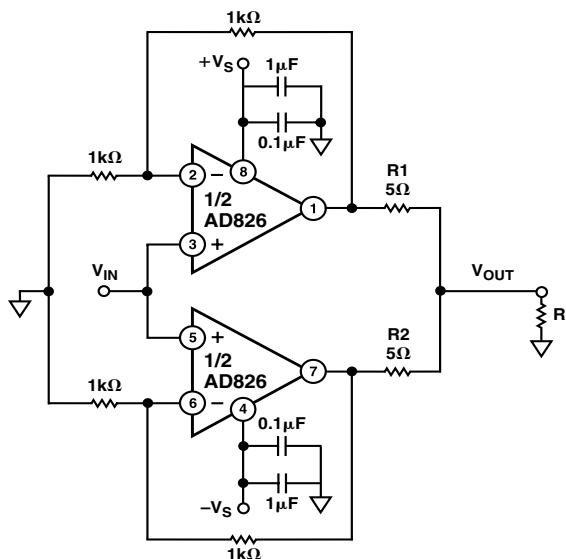


Figure 38. Parallel Amp Configuration

AD826

SINGLE-ENDED TO DIFFERENTIAL LINE DRIVER

Outstanding CMRR (> 80 dB @ 5 MHz), high bandwidth, wide supply voltage range, and the ability to drive heavy loads, make the AD826 an ideal choice for many line driving applications. In this application, the AD830 high speed video difference amp serves as the differential line receiver on the end of a back terminated, 50 ft., twisted-pair transmission line (see Figure 40). The overall system is configured in a gain of +1 and has a -3 dB bandwidth of 14 MHz. Figure 39 is the pulse response with a 2 V p-p, 1 MHz signal input.

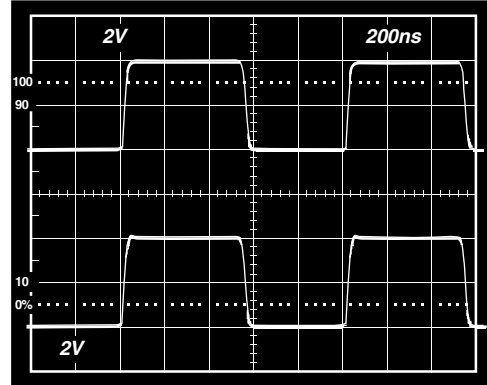


Figure 39. Pulse Response

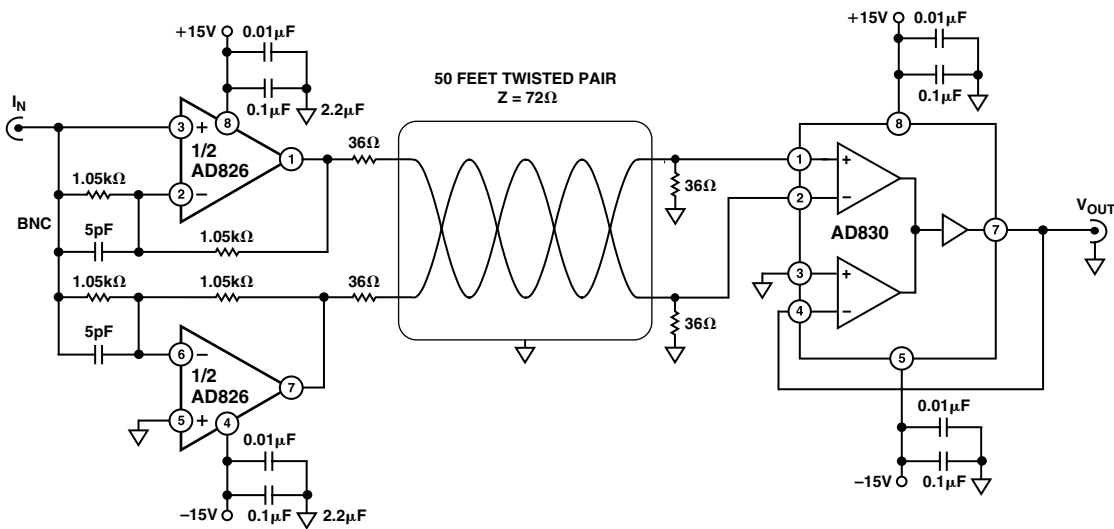


Figure 40. Differential Line Driver

LOW DISTORTION LINE DRIVER

The AD826 can quickly be turned into a powerful, low distortion line driver (see Figure 41). In this arrangement the AD826 can comfortably drive a 75 Ω back-terminated cable, with a 5 MHz, 2 V p-p input; all of this while achieving the harmonic distortion performance outlined in the following table.

Configuration	2nd Harmonic
1. No Load	-78.5 dBm
2. 150 Ω R _L Only	-63.8 dBm
3. 150 Ω R _L 7.5 Ω R _C	-70.4 dBm

In this application one half of the AD826 operates at a gain of 2.1 and supplies the current to the load, while the other provides the overall system gain of 2. This is important for two reasons: the first is to keep the bandwidth of both amplifiers the same, and the second is to preserve the AD826's ability to operate from low supply voltages. R_C varies with the load and must be chosen to satisfy the following equation:

$$R_C = MR_L$$

where M is defined by $[(M+1)G_S = G_D]$ and $G_D =$ Driver's Gain, $G_S =$ System Gain.

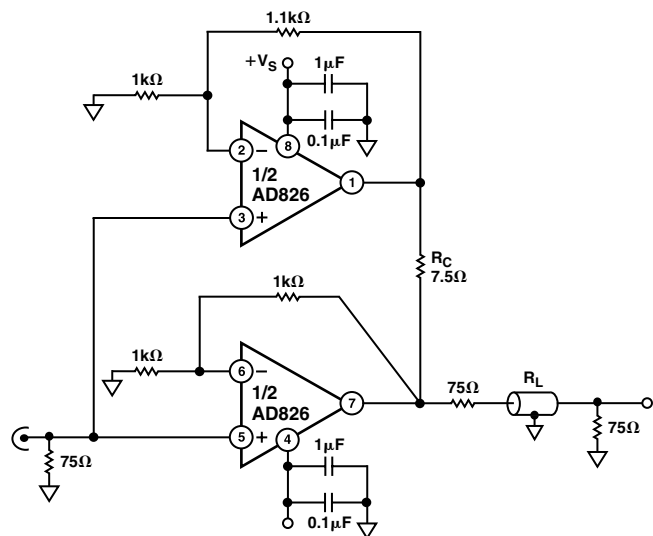


Figure 41. Low Distortion Amplifier

HIGH PERFORMANCE ADC BUFFER

Figure 42 is a schematic of a 12-bit high speed analog-to-digital converter. The AD826 dual op amp takes a single ended input and drives the AD872 A/D converter differentially, thus reducing 2nd harmonic distortion. Figure 43 is a FFT of a 1 MHz input, sampled at 10 MHz with a THD of -78 dB. The AD826 can be used to amplify low level signals so that the entire range of the converter is used. The ability of the AD826 to perform on a ± 5 volt supply or even with a single 5 volts combined with its rapid settling time and ability to deliver high current to complicated loads make it a very good flash A/D converter buffer as well as a very useful general purpose building block.

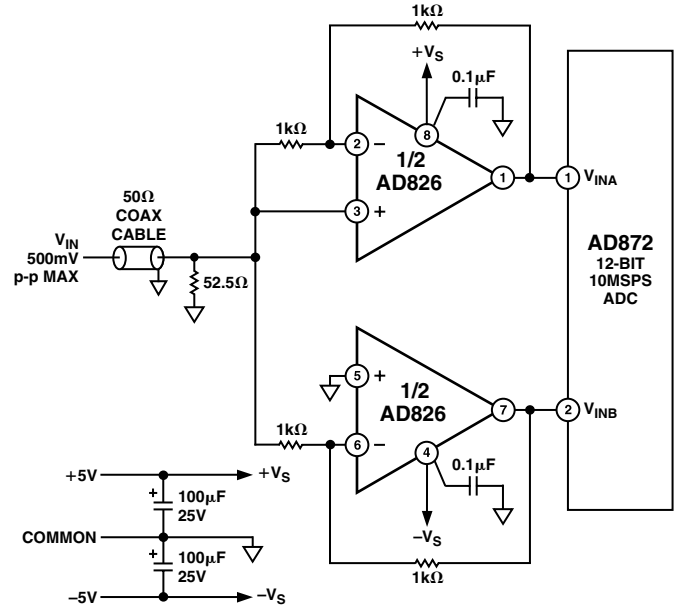


Figure 42. A Differential Input Buffer for High Bandwidth ADCs

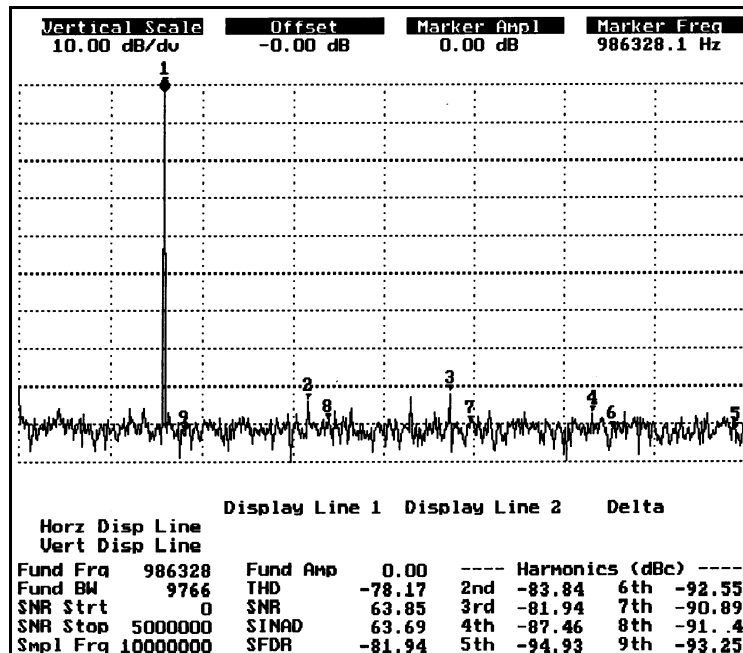
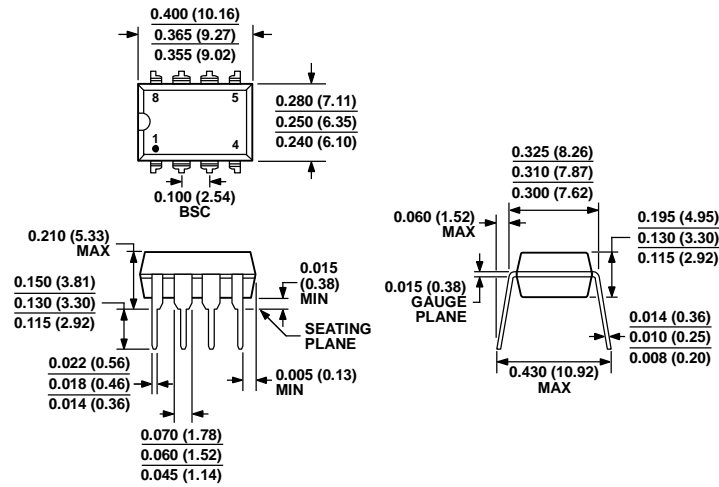


Figure 43. FFT, Buffered A/D Converter

AD826

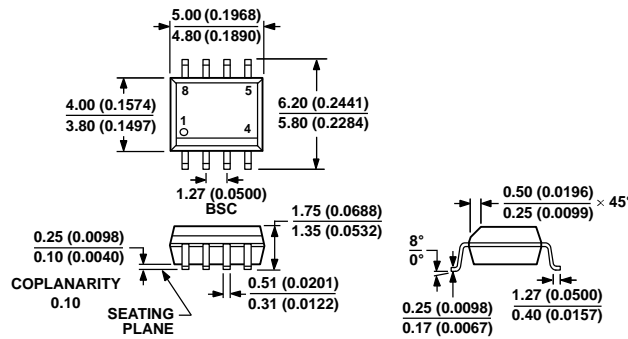
OUTLINE DIMENSIONS



COMPLIANT TO JEDEC STANDARDS MS-001
 CONTROLLING DIMENSIONS ARE IN INCHES; MILLIMETER DIMENSIONS (IN PARENTHESES) ARE ROUNDED-OFF INCH EQUIVALENTS FOR REFERENCE ONLY AND ARE NOT APPROPRIATE FOR USE IN DESIGN. CORNER LEADS MAY BE CONFIGURED AS WHOLE OR HALF LEADS.

Figure 44. 8-Lead Plastic Dual In-Line Package [PDIP] Narrow Body (N-8)
 Dimensions shown in inches and (millimeters)

070608-A



COMPLIANT TO JEDEC STANDARDS MS-012-AA
 CONTROLLING DIMENSIONS ARE IN MILLIMETERS; INCH DIMENSIONS (IN PARENTHESES) ARE ROUNDED-OFF MILLIMETER EQUIVALENTS FOR REFERENCE ONLY AND ARE NOT APPROPRIATE FOR USE IN DESIGN.

Figure 45. 8-Lead Standard Small Outline Package [SOIC_N] Narrow Body (R-8)
 Dimensions shown in millimeters and (inches)

012407-A

ORDERING GUIDE

Model ¹	Temperature Range	Package Description	Package Option
AD826AN	-40°C to +85°C	8-Lead PDIP	N-8
AD826ANZ	-40°C to +85°C	8-Lead PDIP	N-8
AD826AR	-40°C to +85°C	8-Lead SOIC_N	R-8
AD826AR-REEL	-40°C to +85°C	8-Lead SOIC_N	R-8
AD826AR-REEL7	-40°C to +85°C	8-Lead SOIC_N	R-8
AD826ARZ	-40°C to +85°C	8-Lead SOIC_N	R-8
AD826ARZ-REEL	-40°C to +85°C	8-Lead SOIC_N	R-8
AD826ARZ-REEL7	-40°C to +85°C	8-Lead SOIC_N	R-8

¹ Z = RoHS Compliant Part.

REVISION HISTORY

Changed Power Supply Bypassing Section to Power Supply
Considerations Section.....10
Changes to Power Supply Considerations Section10
Updated Outline Dimensions.....14
Changes to Ordering Guide.....14