

PRODUCT NUMBER
57202-XXX-XXXXXLF

PLATING
S = 0.38µm GOLD/GXT ON CONTACT AREA
3.81µm TIN LEAD ON TAIL
G = 0.76µm GOLD/GXT ON CONTACT AREA
3.81µm TIN LEAD ON TAIL
F = GOLD FLASH ON CONTACT AREA
3.81µm TIN LEAD ON TAIL

WHEN REQUIRED, ADD SUFFIX
LETTER "LF" INDICATES THE
PRODUCT IS RoHS COMPATIBLE
SEE NOTE 7

POLARIZATION, SEE NOTE 6

PACKAGING, SEE NOTE 5

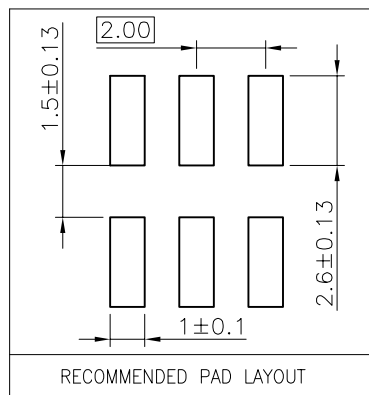
NB OF POS PER ROW : 02 TO 25

WHEN "LF" IS REQUIRED, 2µm MIN
MATTE TIN OVER 1.27µm MIN NICKEL
INSTEAD OF TIN-LEAD

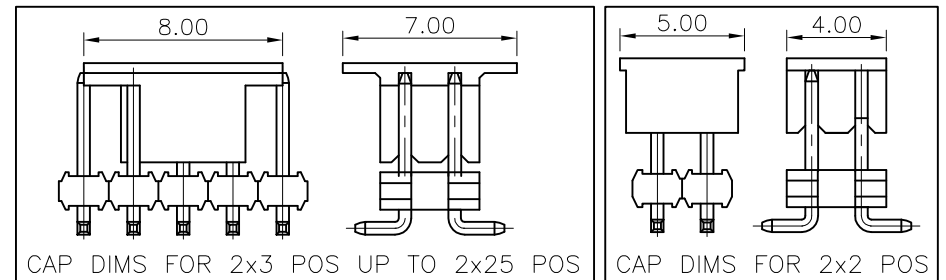
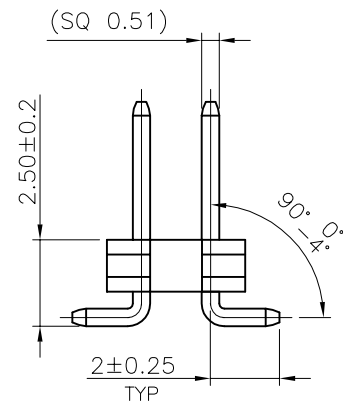
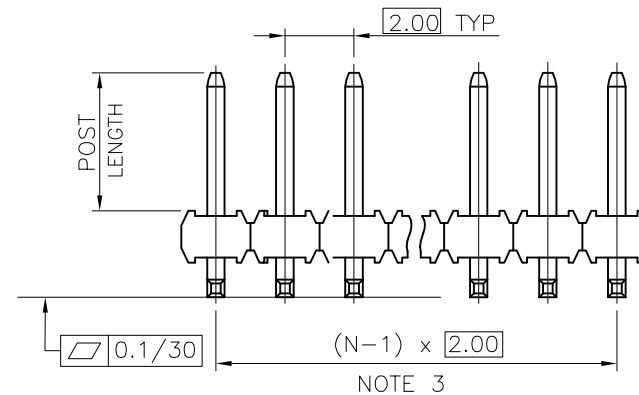
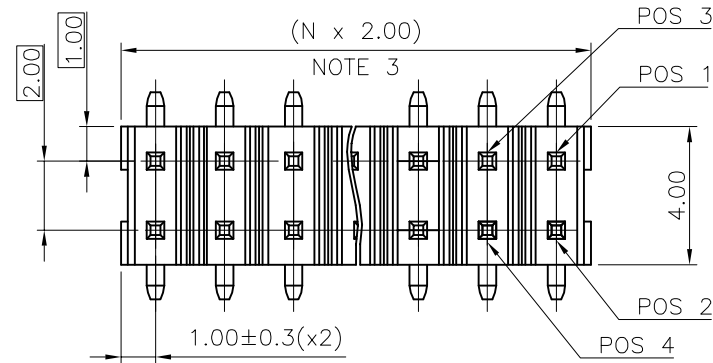
STYLE	POST LENGTH ±0.2
51	2.00
52	4.00
53	3.50

NOTES:

- MATERIAL HOUSING: HIGH TEMP. THERMOPLASTIC
UL 94V-0, COLOR BLACK
- MATERIAL TERMINAL: COPPER ALLOY
- TO DETERMINE DIMENSIONS:
N = NUMBER OF POSITIONS PER ROW.
- 7N MIN. PIN RETENTION IN EITHER DIRECTION.
- PACKAGING:
= PLASTIC BOX.
- = PLASTIC BOX WHEN POLARISATION FEATURE APPLICABLE.
U = TUBE AVAILABLE FROM 04 TO 25 POS PER ROW.
A = TAPE AND REEL WITH PICK UP CAP INSTALLED
IN THE CENTER OF THE PRODUCT FOR PICK AND PLACE
SEE TA 884 FOR PRODUCT AVAILABILITY.
K = TAPE AND REEL WITHOUT CAP, SEE TA884 FOR AVAILABILITY.
- FOR POLARIZATION, SPECIFY POSITION NUMBER TO OMIT.
EXAMPLE : 03 = OMIT PIN POSITION 3, SEE TOP VIEW.
OMIT FROM PRODUCT NUMBER IF THIS FEATURE IS NOT APPLICABLE.
- RoHS COMPATIBLE PRODUCT SPECIFICATIONS
 - PLATING:
- "LF" MEANS THE PRODUCT IS LEAD-FREE,
2µm MINIMUM MATTE TIN OVER 1.27µm
MINIMUM NICKEL UNDERPLATE.
 - MANUFACTURING PROCESS COMPATIBILITY
- THE HOUSING WILL WITHSTAND EXPOSURE TO
260°C PEAK TEMPERATURE FOR 30 SECONDES
IN A CONVECTION, INFRA-RED OR VAPOR
PHASE REFLOW OVEN.
 - LABELLING:
- MEETS PACKAGING SPECS AS PER GS-14-920
 - LEGAL STATEMENT : SEE GS-22-008



TOP VIEW



mat'l. code		surface ISO 1302		tolerance ISO 406 ISO		projection 101		product family MINITEK	
ltr	ecn no	dr	date	tolerances unless otherwise specified					
L	F09-0087	JCO	09.09.04	angles	linear	.X ±0.3	mm	title UNSH HEADER 2.00 mm VERTICAL SMT	
F	F04-0378	LMU	04.11.26			.XX ±0.13		scale 1:1	
G	F05-0124	LMU	05.02.07	dr	L.MULIN	04.05.06			
H	F06-0210	LMU	06.07.04	engr	J.COMPAGNON	0.4.11.25			
J	F06-0327	LMU	07.01.03	chr					
K	F08-0145	ELA	17.04.08	appd	JM.C	04.11.25			
sheet index	revision sheet	product family: MINITEK title: UNSH HEADER 2.00 mm VERTICAL SMT sheet 1 of 1 size: A3 type: CUSTOMER Drawing part number: 57202							



FCJconnect.com

Copyright FCJ