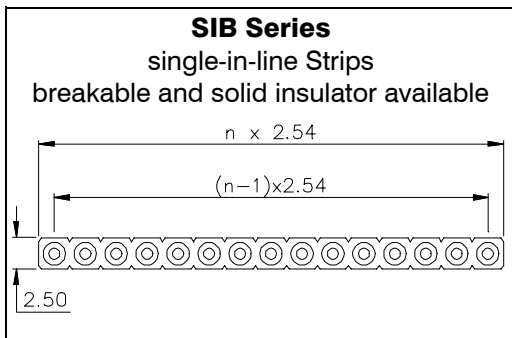
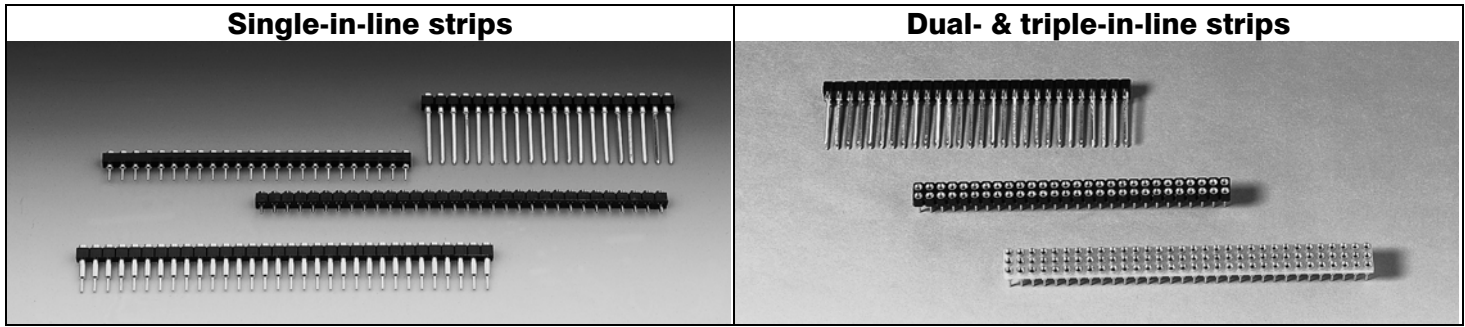


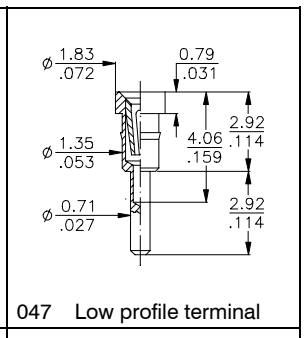
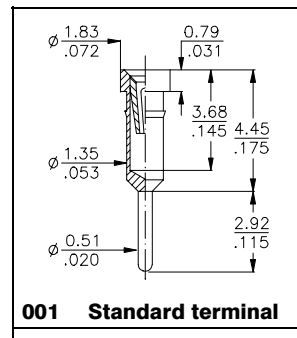
SIB/DIS/TIS Series - Socket Strips

2,54mm pitch



SIB Series
SIB-1xx-Sxxx-xx
Number of contacts
standard breakable
available

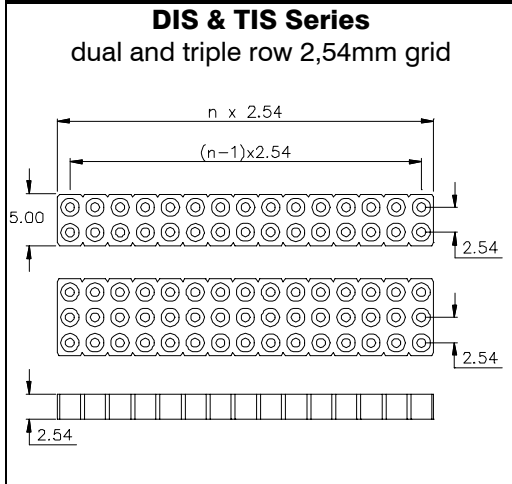
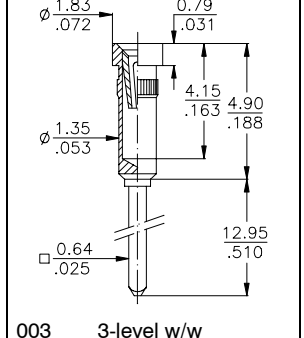
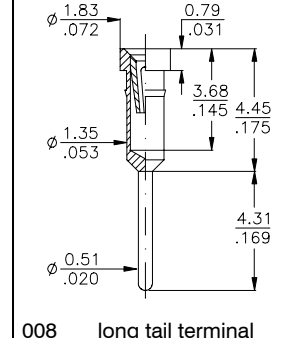
20; 32 and 40



Unless otherwise specifically requested, the strips will be delivered either in solid or breakable plastic depending on availability of the insulator bodies.

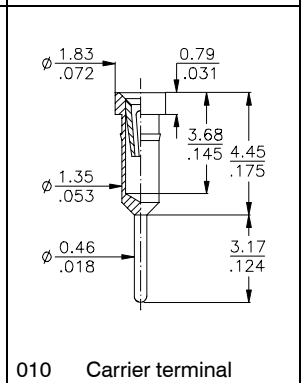
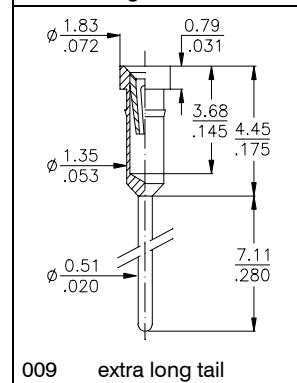
Number of contacts
either breakable or
solid available

02 to 40



DIS Series
DIS-2xx-Sxxx-xx
Number of contacts
available

from 04 to 80



TIS Series
TIS-3xx-Exxx-xx
Number of contacts
available

from 06 to 96

Strips
Other lengths & pin-outs available on request.

Specifications
See page 71
of this catalogue

Terminals
For other terminal styles please refer to the last pages of this catalogue or contact your closest sales office.

How to order

XXX - XXX - XXX - XX

Series
SIB = single-in-line strips
DIS = dual-in-line strips...
TIS = triple-in-line strips...

Rows
..... **1**
..... **2**
..... **3**

Nbr of contacts
see above table

Insulator
S = Plastic
E = Epoxy FR4
TIS Series only

Terminal style
see drawings above
or
refer to last pages of this catalogue for other types.

Plating
- 95 = tin/gold
- 55 = gold/gold
- 99 = tin/tin
(tin is leadfree)