

JUMO GmbH & Co. KG

Delivery address: Mackenrodtstraße 14,
36039 Fulda, Germany
Postal address: 36035 Fulda, Germany
Phone: +49 661 6003-0
Fax: +49 661 6003-607
e-mail: mail@jumo.net
Internet: www.jumo.net

JUMO Instrument Co. Ltd.

JUMO House
Temple Bank, Riverway
Harlow, Essex CM 20 2TT, UK
Phone: +44 1279 635533
Fax: +44 1279 635262
e-mail: sales@jumo.co.uk
Internet: www.jumo.co.uk

JUMO Process Control, Inc.

8 Technology Boulevard
Canastota, NY 13032, USA
Phone: 315-697-JUMO
1-800-554-JUMO
Fax: 315-697-5867
e-mail: info@jumo.us
Internet: www.jumo.us

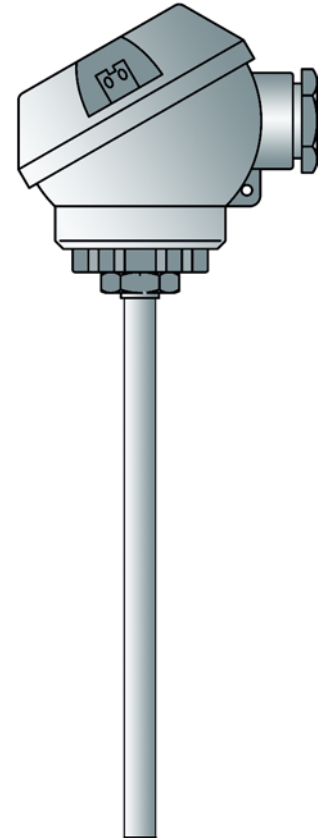


Push-in RTD temperature probe with terminal head form J

- for temperatures from -50 ... +400°C
- As single or double RTD temperature probes
- Available with transmitter
- Protection class IP65

Push-in RTD temperature probes are preferentially used for measuring temperatures in liquids and gases. A decisive selection criterion is the reliable sealing feature of this installation type with vacuum and with overpressure. The application areas are, among others, in the air conditioning technology and refrigeration engineering as well as the HVAC, kiln and apparatus engineering sector.

The measuring insert is normally fitted with a Pt 100 temperature sensor according to DIN EN 60 751, Class B in 2-wire circuit; versions with Pt 500 or Pt 1000 temperature sensors can also be supplied, as well as 3- and 4-wire circuit connections. A transmitter can be optionally integrated into the connection head.



Technical Data

Terminal head

Form J, die-cast aluminum, M 16x1.5; IP65, ambient temperature -40 ... +100°C
Caution: reduced ambient temperature range when using transmitters,
Data Sheet 70.7030

Process connection

Metal flange Ø 6mm, Ø 8mm, galvanized steel
Thermowell screw-connection Ø 6mm, Ø 8mm, stainless steel
Thermowell screw-connection, spring loaded Ø 8mm, spring deflection 12mm, stainless steel

Thermowell

Stainless steel 1.4571, Ø 6mm and Ø 8mm

Measuring insert

Pt 100 temperature sensor according to DIN EN 60 751, Class B, two-wire circuit

Transmitter

Analog transmitter, 4 ... 20mA output, Data sheet 70.7030

Accessories

Thermowell, Data Sheet 90.2440 and 90.9721

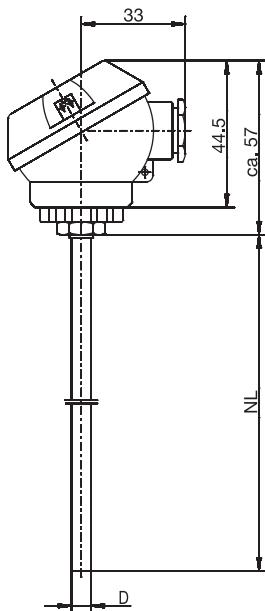
JUMO GmbH & Co. KG
Delivery address: Mackenrodtstraße 14,
36039 Fulda, Germany
Postal address: 36035 Fulda, Germany
Phone: +49 661 6003-0
Fax: +49 661 6003-607
e-mail: mail@jumo.net
Internet: www.jumo.net

JUMO Instrument Co. Ltd.
JUMO House
Temple Bank, Riverway
Harlow, Essex CM 20 2TT, UK
Phone: +44 1279 635533
Fax: +44 1279 635262
e-mail: sales@jumo.co.uk
Internet: www.jumo.co.uk

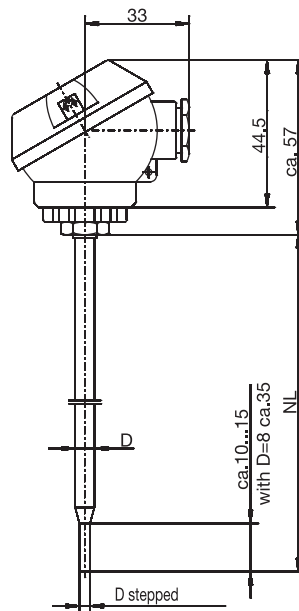
JUMO Process Control, Inc.
8 Technology Boulevard
Canastota, NY 13032, USA
Phone: 315-697-JUMO
1-800-554-JUMO
Fax: 315-697-5867
e-mail: info@jumo.us
Internet: www.jumo.us



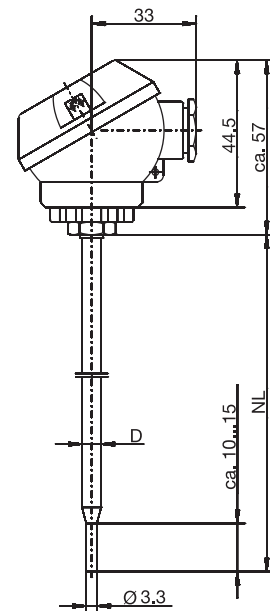
Dimensions



Type 902130/10



Type 902130/11



Type 902130/31

JUMO GmbH & Co. KG
 Delivery address: Mackenrodtstraße 14,
 36039 Fulda, Germany
 Postal address: 36035 Fulda, Germany
 Phone: +49 661 6003-0
 Fax: +49 661 6003-607
 e-mail: mail@jumo.net
 Internet: www.jumo.net

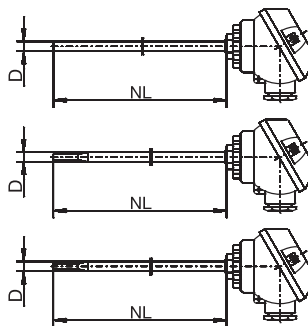
JUMO Instrument Co. Ltd.
 JUMO House
 Temple Bank, Riverway
 Harlow, Essex CM 20 2TT, UK
 Phone: +44 1279 635533
 Fax: +44 1279 635262
 e-mail: sales@jumo.co.uk
 Internet: www.jumo.co.uk

JUMO Process Control, Inc.
 8 Technology Boulevard
 Canastota, NY 13032, USA
 Phone: 315-697-JUMO
 1-800-554-JUMO
 Fax: 315-697-5867
 e-mail: info@jumo.us
 Internet: www.jumo.us



Order details: Push-in RTD temperature probe with terminal head form J

(1) Basic type	
902130/10	Push-in RTD temperature probes with continuous thermowell
902130/11	Push-in RTD temperature probes with stepped thermowell (with Ø 6 to 3.8mm; with Ø 8 to 6mm)
902130/31	Push-in RTD temperature probes with stepped thermowell for air measurement
(2) Operating temperature in °C	
x x	647 -20 ... +150°C (only in conjunction with tolerance class B)
x x x	380 -50 ... +200°C
x x	386 -50 ... +260°C
x x	402 -50 ... +400°C
(3) Measuring insert	
x x	1001 1 x Pt 100 in 3-wire-circuit
x x x	1003 1 x Pt 100 in 2-wire circuit
x x x	1011 1 x Pt 100 in 4-wire circuit
x x x	2003 2 x Pt 100 in 2-wire circuit
(4) Tolerance class according to DIN EN 60 751	
x x x	1 Class B (standard)
x x x	2 Class A
(5) Protection tube diameter D in mm	
x x x	6 Ø 6mm
x x	8 Ø 8mm
(6) Nominal length NL in mm (50 ≤ NL ≤ 1000)	
x x x	50 50mm
x x x	100 100mm
x x x	150 150mm
x x x	250 250mm
x	290 290mm
x x x	... Specification in plain text (50mm steps)
(7) Process connection	
x x x	000 without process connection
x	245 Thermowell screw connection, spring-loaded G 1/2, spring deflection 12mm (for Ø 8mm only, Tmax. 180°C)
x x x	252 Thermowell screw connection G 1/4 (for a 6mm diameter only)
x x x	254 Thermowell screw connection G 1/2 (for a 6mm or Ø 8mm diameter only)
x x x	662 Metal flange Ø 6mm
x	667 Metal flange Ø 8mm
(8) Extra codes	
x x x	000 Without
x x x	330 1 x analog transmitter, 4 ... 20mA ¹ output, Data sheet 70.7030



Order code	(1)	(2)	(3)	(4)	(5)	(6)	(7)	(8)
Order example	902130/10	- 402	- 1001	- 1	- 6	- 100	- 000	/ 000

Stock versions

(1)	(2)	(3)	(4)	(5)	(6)	(7)	(8)	Part No.
902130/10	- 402	- 1003	- 1	- 6	- 50	- 000	/	000
902130/10	- 402	- 1003	- 1	- 6	- 150	- 000	/	000
902130/10	- 402	- 1003	- 1	- 6	- 250	- 000	/	000
902130/10	- 647	- 1003	- 1	- 6	- 100	- 000	/	000
902130/10	- 647	- 1003	- 1	- 6	- 150	- 000	/	000
902130/10	- 647	- 1003	- 1	- 6	- 250	- 000	/	000
902130/31	- 380	- 1003	- 1	- 6	- 290	- 000	/	000

¹ Specify measuring range in plain text.