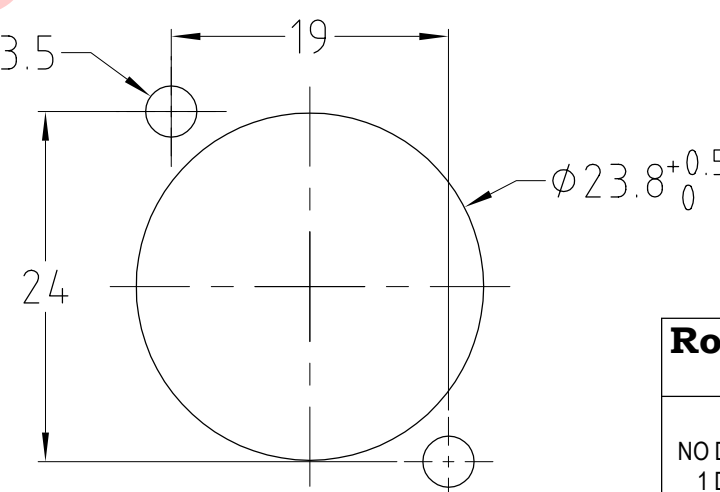
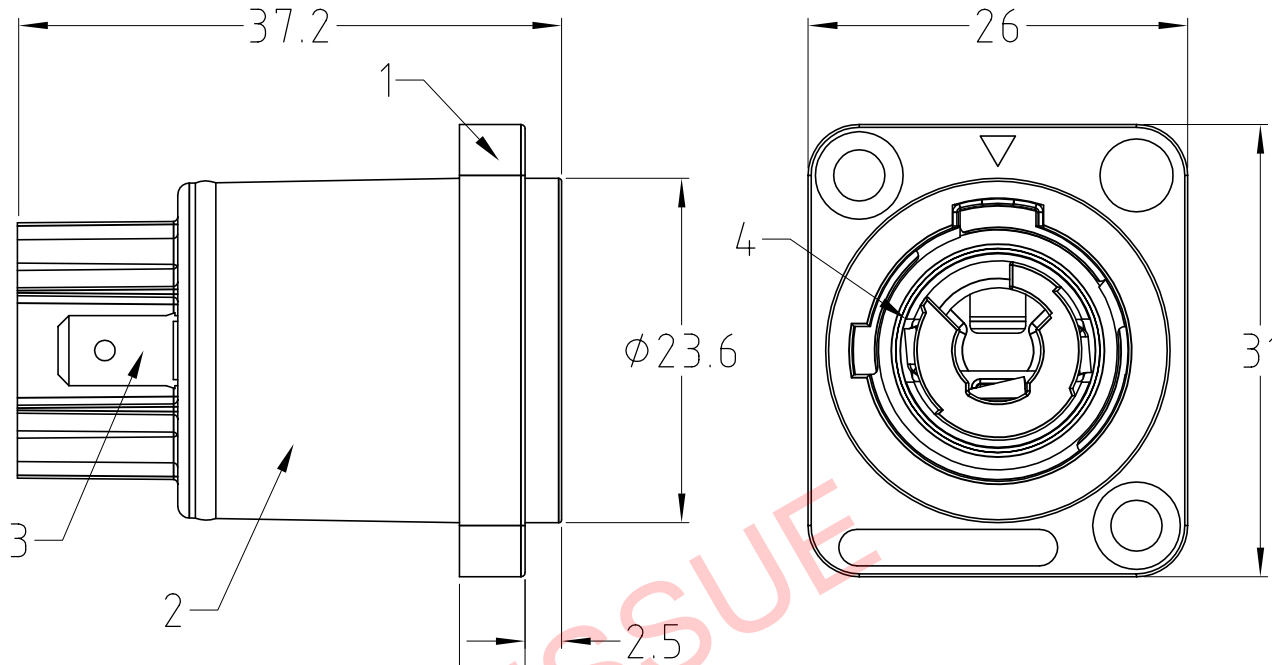
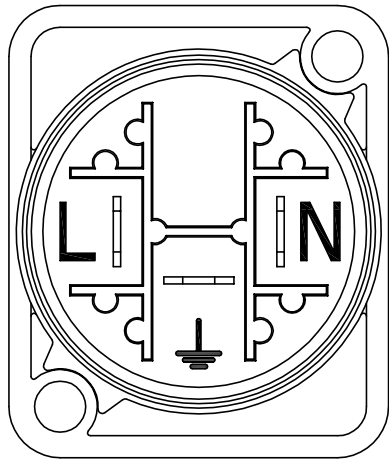


ISS.	AMEND	DATE
1	ISSUED	31/10/18



Number of contacts: 2+PE
 Contact Resistance: $\approx 3m\Omega$
 Insulation Resistance after: $\approx 100M\Omega$
 Dielectric strength: 4000V DC
 Rated voltage: 250V ac
 Rated current per contact: 20A rms
 Mates with FM12301 - Power IN Plug (Blue)

PRE-ISSUE

ITEM	DESCRIPTION	QTY	MATERIAL	FINISH
1	HOUSING	1	PA6 30% GF	BLUE
2	REAR BODY	1	PA6 30% GF	BLACK
3	CONTACTS	3	BRASS	SILVER PLATE
4	SEAL	1	PA6	BLACK

WARNING
 DO NOT CONNECT OR DISCONNECT
 WHEN UNDER LOAD OR LIVE.

RoHS COMPLIANT
TOLERANCE
NO DEC. PLACE \pm
1 DEC. PLACE \pm
2 DEC. PLACE \pm
HOLE $\varnothing \pm$
ANGLES \pm
UNLESS OTHERWISE STATED
DO NOT SCALE

Cliff Electronic Components Ltd.

76 Holmethorpe Avenue, Holmethorpe Industrial Estate,
 Redhill, Surrey, RH1 2PF, England, UK
 Tel: 01737-771375 Fax: 01737-766012 Website: www.cliffuk.co.uk

DIMENSIONS IN MILLIMETERS UNLESS OTHERWISE STATED. WORK TO DIMENSIONS. REMOVE ALL BURRS. IF IN DOUBT ASK.

3rd ANGLE PROJECTION:

MATERIAL: SEE TABLE

FINISH: SEE TABLE

DRAWN: T.J.O.

APPROVED: D.P.J.

TITLE: CLIFFCON P - POWER IN SOCKET (BLUE)

DRWG. No. **FM12300**

FORM: A4DRWGF